



## Product Compliance

[For compliance documentation, visit the product page on TE.com>](#)

|   |   |
|---|---|
| EU RoHS Directive 2011/65/EU                  | Compliant   |
| EU ELV Directive 2000/53/EC                   | Compliant   |
| China RoHS 2 Directive MIIT Order No 32, 2016 | No Restricted Materials Above Threshold   |
| EU REACH Regulation (EC) No. 1907/2006        | Current ECHA Candidate List: JAN 2021 (211)<br>Candidate List Declared Against: JAN 2021 (211)<br>Does not contain REACH SVHC |
| Halogen Content                               | Not Low Halogen - contains Br or Cl > 900 ppm.  |
| Solder Process Capability                     | Not applicable for solder process capability  |

### Product Compliance Disclaimer

This information is provided based on reasonable inquiry of our suppliers and represents our current actual knowledge based on the information they provided. This information is subject to change. The part numbers that TE has identified as EU RoHS compliant have a maximum concentration of 0.1% by weight in homogenous materials for lead, hexavalent chromium, mercury, PBB, PBDE, DBP, BBP, DEHP, DIBP, and 0.01% for cadmium, or qualify for an exemption to these limits as defined in the Annexes of Directive 2011/65/EU (RoHS2). Finished electrical and electronic equipment products will be CE marked as required by Directive 2011/65/EU. Components may not be CE marked. Additionally, the part numbers that TE has identified as EU ELV compliant have a maximum concentration of 0.1% by weight in homogenous materials for lead, hexavalent chromium, and mercury, and 0.01% for cadmium, or qualify for an exemption to these limits as defined in the Annexes of Directive 2000/53/EC (ELV). Regarding the REACH Regulation, the information TE provides on SVHC in articles for this part number is based on the latest European Chemicals Agency (ECHA) 'Guidance on requirements for substances in articles' posted at this URL: <https://echa.europa.eu/guidance-documents/guidance-on-reach>

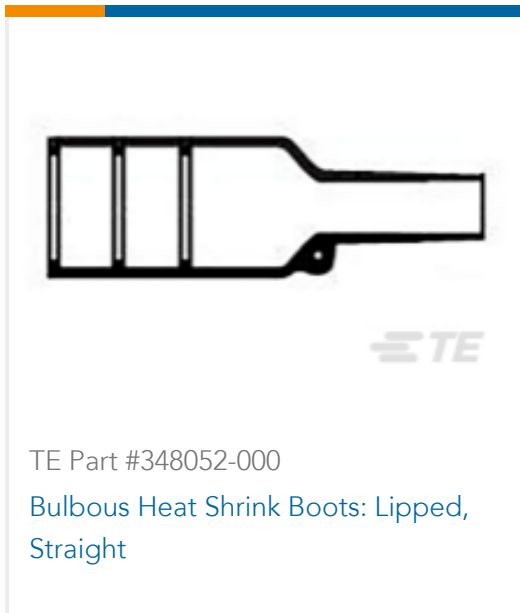
## Compatible Parts

|  |  |  |   |
|--|--|--|---|
|  <p>TE Part # 1-2186500-1<br/>T3212-PRINTER</p> |  <p>TE Part # 1-2186502-1<br/>T3224-PRINTER</p> |  <p>TE Part # 1-2186503-1<br/>T3224-SWARE-PRINTER</p> |  <p>TE Part # CP8122-000<br/>T6112DS-PRINTER</p> |
|--|--|--|---|



TE Part # 1-2186501-1  
T3212-SWARE-PRINTER

## Customers Also Bought



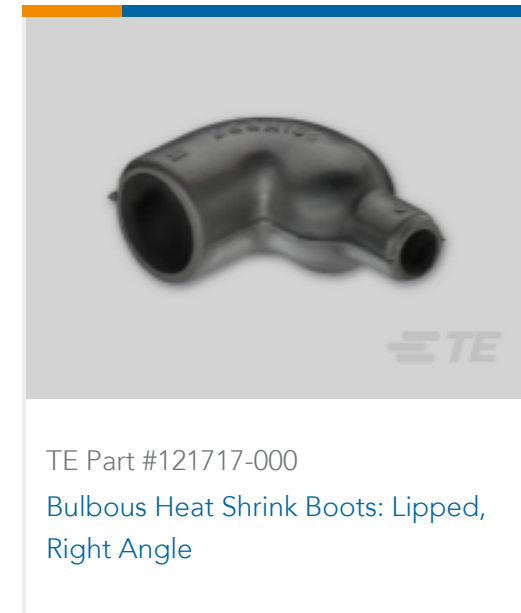
TE Part #348052-000  
Bulbous Heat Shrink Boots: Lipped,  
Straight



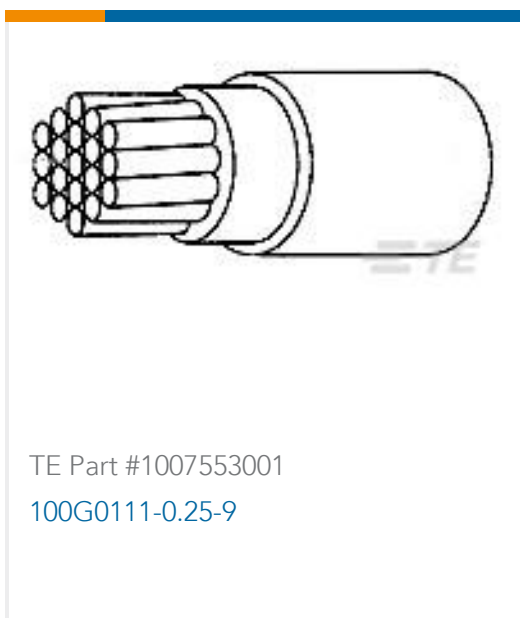
TE Part #4-643814-2  
Nylon Tin Plated Receptacle: 2.54mm,  
With Mating Alignment, MTA 100



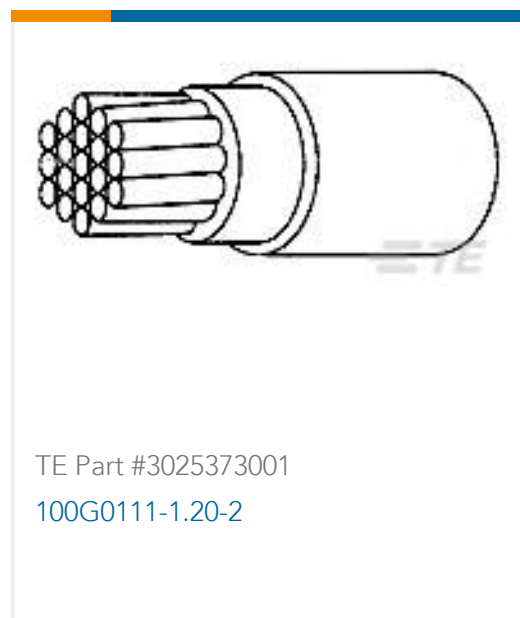
TE Part #33466  
TERMINAL, SOLIS R 6 5/16



TE Part #121717-000  
Bulbous Heat Shrink Boots: Lipped,  
Right Angle



TE Part #1007553001  
100G0111-0.25-9



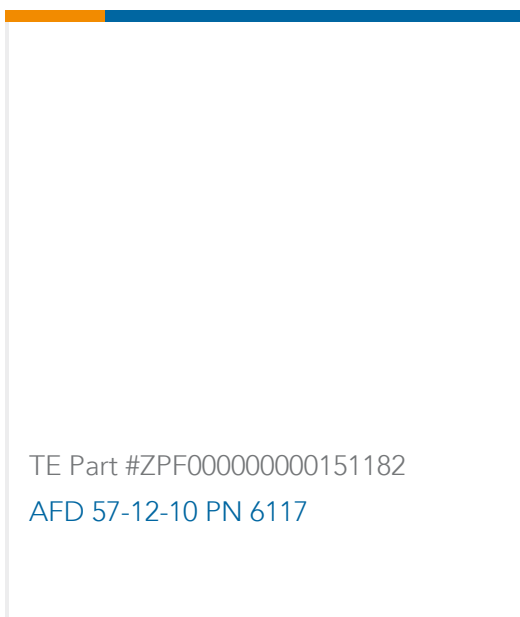
TE Part #3025373001  
100G0111-1.20-2



TE Part #4151613001  
99M0111-24-2



TE Part #316084-000  
55A0121-26-6/9



TE Part #ZPF000000000151182  
AFD 57-12-10 PN 6117

## Documents

### Product Drawings

TMS-SCE-5K-1/8-2.0-4

English

### Instruction Sheets

Instruction Sheet (non U.S.)

English