



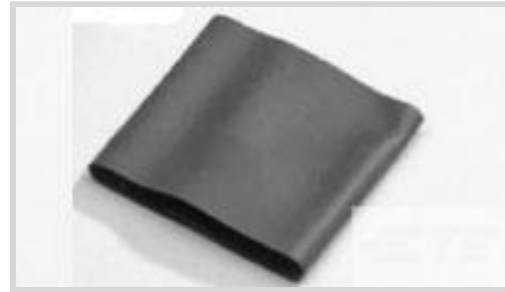
Raychem | Raychem Versafit V2

TE Internal #: 744521J001

Raychem Versafit V2, Heat Shrink Tubing, Black, Single Wall Type, 15.7 Expanded Inside Diameter (Min) .618 Expanded Inside Diameter (Min)

[View on TE.com >](#)

Heat Shrink Tubing



Primary Product Color: **Black**

Wall Type: **Single**

Expanded Inside Diameter (Min): **15.7 mm [.618 in]**

Recovered Inside Diameter (Max): **7.5 mm [.295 in]**

Shrink Ratio: **2:1**

Features

Product Type Features

Product Family	V2
Wall Type	Single

Electrical Characteristics

Voltage (Max)	.6 kV
---------------	-------

Body Features

Primary Product Color	Black
Shrink Ratio	2:1
Primary Product Material	Irradiated Modified Polyolefin
Flexibility	Very Flexible

Dimensions

Recovered Wall Thickness (Tolerance)	.68 mm[.027 in]
Expanded Inside Diameter (Min)	15.7 mm[.618 in]
Recovered Inside Diameter (Max)	7.5 mm[.295 in]

Usage Conditions

Shrink Temperature (Min)	70 °C
Heat Shrink Tubing Flammability	Highly Flame-Retardant
Operating Temperature Range	-30 – 125 °C
Heat Shrink Tubing Resistance	Strain, Wrinkling



Recovery Temperature	90 °C
----------------------	-------

Product Availability

Applicable Region	Global
-------------------	--------

Packaging Features

Packaging Method	Flat Spool
------------------	------------

Other

Meets Low Outgassing Requirements	No
-----------------------------------	----

Product Source	China, US
----------------	-----------

Product Compliance

[For compliance documentation, visit the product page on TE.com>](#)

EU RoHS Directive 2011/65/EU	Compliant
------------------------------	-----------

EU ELV Directive 2000/53/EC	Compliant
-----------------------------	-----------

China RoHS 2 Directive MIIT Order No 32, 2016	No Restricted Materials Above Threshold
---	---

EU REACH Regulation (EC) No. 1907/2006	Current ECHA Candidate List: JAN 2021 (211) Candidate List Declared Against: JAN 2021 (211) Does not contain REACH SVHC
--	---

Halogen Content	Not Low Halogen - contains Br or Cl > 900 ppm.
-----------------	--

Solder Process Capability	Not applicable for solder process capability
---------------------------	--

Product Compliance Disclaimer

This information is provided based on reasonable inquiry of our suppliers and represents our current actual knowledge based on the information they provided. This information is subject to change. The part numbers that TE has identified as EU RoHS compliant have a maximum concentration of 0.1% by weight in homogenous materials for lead, hexavalent chromium, mercury, PBB, PBDE, DBP, BBP, DEHP, DIBP, and 0.01% for cadmium, or qualify for an exemption to these limits as defined in the Annexes of Directive 2011/65/EU (RoHS2). Finished electrical and electronic equipment products will be CE marked as required by Directive 2011/65/EU. Components may not be CE marked. Additionally, the part numbers that TE has identified as EU ELV compliant have a maximum concentration of 0.1% by weight in homogenous materials for lead, hexavalent chromium, and mercury, and 0.01% for cadmium, or qualify for an exemption to these limits as defined in the Annexes of Directive 2000/53/EC (ELV). Regarding the REACH Regulation, the information TE provides on SVHC in articles for this part number is based on the latest European Chemicals Agency (ECHA) 'Guidance on requirements for substances in articles' posted at this URL: <https://echa.europa.eu/guidance-documents/guidance-on-reach>

Compatible Parts

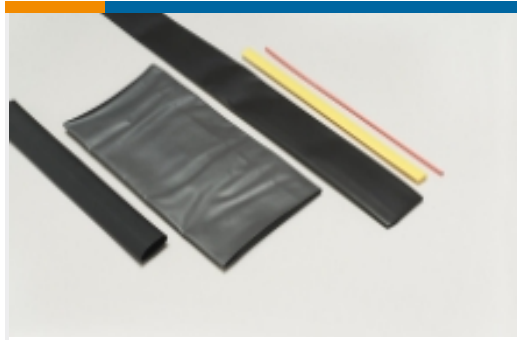


TE Part # CJ2087-000
HL2010E-KIT-120V



TE Part # EG1114-000
CV1981-ST-230V1600W-EU

Also in the Series | Raychem Versafit V2



Heat Shrink Tubing(37)

Customers Also Bought



TE Part #1-353717-2
DYNAMIC 3000 CONTACT



TE Part #170120-1
MATE-N-LOK SOCKET 2



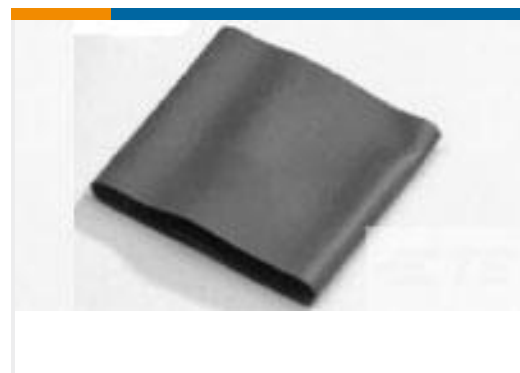
TE Part #170048-2
110 FASTON, REC., 24-20 AWG, TPBR



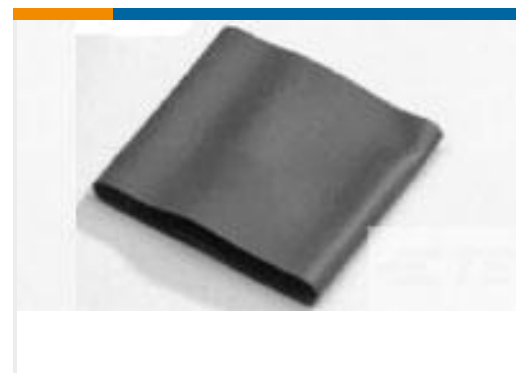
TE Part #172211-5
EIS CAP HSG FREE HANG 5P
NATUTURAL



TE Part #1-1903128-6
DYNAMIC 1100 REC AND TAB HSG



TE Part #115607J001
V2-12.0-0-FSP-SM



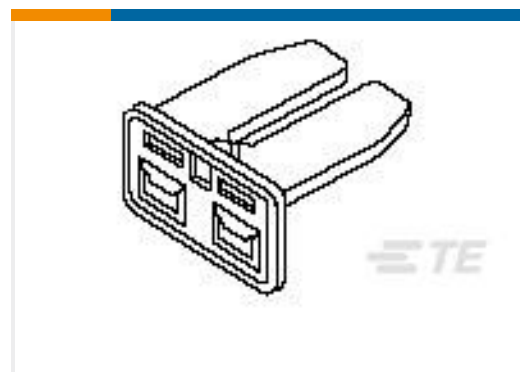
TE Part #137963J001
V2-1.5-0-SP-SM



TE Part #985923J001
V2-6.0-0-SP-SM



TE Part #080745J001
V2-1.0-0-SP-SM



TE Part #1-174358-1
E-J MK-2 PLUG HSG 3P NATURAL



Documents

Datasheets & Catalog Pages

[VERSAFIT V2 Pages from 9-1773447-9](#)

English

[Application Tooling for Raychem Heat Shrink Product](#)

English

[Highly Flame-Retardant, Low Recovery Temp., Metric-Sized Heat-Shrinkable Tubing](#)

English

[Measuring_Single_Wall_Tubing](#)

English

[Selecting_Correct_Tubing](#)

English

Product Specifications

[Quality Specification](#)

English