

7-5382487-2 ✓ ACTIVE

MICRO-EDGE | MICRO-EDGE SIMM

TE Internal #: 7-5382487-2

MICRO-EDGE SIMM, SIMM Sockets, Right Angle Module

Orientation, 72 Position, Through Hole - Solder, 1.27mm [.05in]

Centerline, 1 Row

[View on TE.com >](#)



Connectors > Socket Connectors > Memory Sockets > SIMM Sockets



Module Orientation: **Right Angle**

Number of Positions: **72**

PCB Mounting Style: **Through Hole - Solder**

Centerline (Pitch): **1.27 mm [.05 in]**

Number of Rows: **1**

Features

Product Type Features

Center Post	With
Sealable	No
Connector & Contact Terminates To	Printed Circuit Board
Product Type	Socket
Profile	Standard

Configuration Features

Center Key	Center
Number of Keys	1
Module Orientation	Right Angle
Number of Positions	72
Number of Rows	1

Body Features

Ejector Location	Both Ends
Retention Post Location	None



Ejector Type	Locking
--------------	---------

Contact Features

Socket Style	SIMM
Contact Underplating Material	Nickel
PCB Contact Termination Area Plating Material	Tin
Contact Base Material	Phosphor Bronze
Contact Current Rating (Max)	1 A
Socket Type	Memory Card
Contact Mating Area Plating Material	Gold Flash

Termination Features

Insertion Style	Cam-In
Termination Post Length	3.05 mm[.12 in]

Mechanical Attachment

Polarization	Left
PCB Mounting Style	Through Hole - Solder
Connector Mounting Type	Board Mount

Housing Features

Centerline (Pitch)	1.27 mm[.05 in]
Housing Material	LCP (Liquid Crystal Polymer)
Housing Color	Black

Dimensions

Center Retention Hole Diameter	2.45 mm[.096 in]
Stack Height	6.35 mm[.25 in]

Usage Conditions

Operating Temperature Range	-55 – 85 °C[-67 – 185 °F]
-----------------------------	---------------------------

Operation/Application

Circuit Application	Signal
---------------------	--------

Industry Standards

UL Flammability Rating	UL 94V-0
------------------------	----------

Packaging Features

Packaging Method	Box & Tray, Tray
------------------	------------------

Packaging Quantity

24

Product Compliance

[For compliance documentation, visit the product page on TE.com>](#)

EU RoHS Directive 2011/65/EU

Compliant

EU ELV Directive 2000/53/EC

Compliant

China RoHS 2 Directive MIIT Order No 32, 2016

No Restricted Materials Above Threshold

EU REACH Regulation (EC) No. 1907/2006

Current ECHA Candidate List: JAN 2021 (211)
Candidate List Declared Against: JAN 2021 (211)
Does not contain REACH SVHC

Halogen Content

Low Halogen - Br, Cl, F, I < 900 ppm per homogenous material. Also BFR/CFR/PVC Free

Solder Process Capability

Wave solder capable to 240°C

Product Compliance Disclaimer

This information is provided based on reasonable inquiry of our suppliers and represents our current actual knowledge based on the information they provided. This information is subject to change. The part numbers that TE has identified as EU RoHS compliant have a maximum concentration of 0.1% by weight in homogenous materials for lead, hexavalent chromium, mercury, PBB, PBDE, DBP, BBP, DEHP, DIBP, and 0.01% for cadmium, or qualify for an exemption to these limits as defined in the Annexes of Directive 2011/65/EU (RoHS2). Finished electrical and electronic equipment products will be CE marked as required by Directive 2011/65/EU. Components may not be CE marked. Additionally, the part numbers that TE has identified as EU ELV compliant have a maximum concentration of 0.1% by weight in homogenous materials for lead, hexavalent chromium, and mercury, and 0.01% for cadmium, or qualify for an exemption to these limits as defined in the Annexes of Directive 2000/53/EC (ELV). Regarding the REACH Regulation, the information TE provides on SVHC in articles for this part number is based on the latest European Chemicals Agency (ECHA) 'Guidance on requirements for substances in articles' posted at this URL: <https://echa.europa.eu/guidance-documents/guidance-on-reach>

Compatible Parts

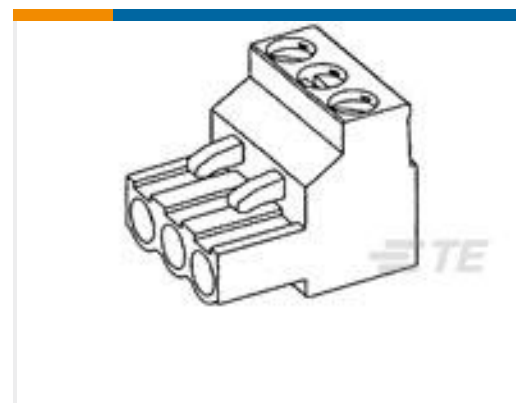


Also in the Series | **MICRO-EDGE SIMM**



SIMM Sockets(3)

Customers Also Bought

TE Part #1462050-1
Signal Relays: SMT, PCB mount, 2 ampTE Part #1375820-2
Receptacle Housing: 2.54mm, 1 Row, CST-100 IITE Part #1367073-1
SFP ConnectorsTE Part #1658945-1
XFP Cage Assemblies and KitsTE Part #1393774-1
V23026A1001B201TE Part #1734366-1
Std USB Type A, VT, T/HTE Part #796640-2
2 POS 5.0 MM R/A PLUG,TRM BLKTE Part #1445819-1
MINI CPCTE Part #1410975-4
MULTIGIG RT2 7RW DC RTM CTTE Part #1410189-4
MULTIGIG RT T2 7RW H-LFT,ET2

Documents

Product Drawings

SIMM II,.250"H,.050CL,72P,30AU

English

CAD Files

3D PDF

3D

Customer View Model

ENG_CVM_CVM_7-5382487-2_C1.2d_dxf.zip



English

Customer View Model

[ENG_CVM_CVM_7-5382487-2_C1.3d_igs.zip](#)

English

Customer View Model

[ENG_CVM_CVM_7-5382487-2_C1.3d_stp.zip](#)

English

By downloading the CAD file I accept and agree to the [Terms and Conditions](#) of use.