

LSTT-9.5-0-SP ✓ ACTIVE

Raychem | Raychem LSTT

TE Internal #: 7798054001

Raychem LSTT, Heat Shrink Tubing, Black, Single Wall Type, 9.5 Expanded Inside Diameter (Min) .375 Expanded Inside Diameter (Min)

[View on TE.com >](#)



Heat Shrink Tubing



Primary Product Color: **Black**

Wall Type: **Single**

Expanded Inside Diameter (Min): **9.5 mm [.375 in]**

Recovered Inside Diameter (Max): **4.8 mm [.187 in]**

Shrink Ratio: **2:1**

Features

Product Type Features

Product Family	LSTT
Wall Type	Single

Electrical Characteristics

Voltage (Max)	.6 kV
---------------	-------

Body Features

Fluid Type	Antifreeze, Battery Acid, Diesel Fuel, Gasoline, Hydraulic Fluid, Lubricating Oil, Water
Primary Product Color	Black
Shrink Ratio	2:1
Primary Product Material	Irradiated Modified Polyolefin
Flexibility	Very Flexible

Dimensions

Recovered Wall Thickness (Tolerance)	.1 mm[.004 in]
Recovered Wall Thickness (Nominal)	.65 mm[.026 in]
Expanded Inside Diameter (Min)	9.5 mm[.375 in]
Recovered Inside Diameter (Max)	4.8 mm[.187 in]
Heat Shrink Tubing Size Range	4.8 – 9.5 mm[.187 – .375 in]

Usage Conditions



Fluid Resistance	Splash Protection
Shrink Temperature (Min)	65 °C
Heat Shrink Tubing Flammability	Non-Flame-Retardant
Operating Temperature Range	-40 – 125 °C, -40 – 125 °C
Heat Shrink Tubing Resistance	Mechanical Damage
Recovery Temperature	110 °C

Product Availability

Applicable Region	Global
-------------------	--------

Packaging Features

Packaging Method	Reel
------------------	------

Other

Meets Low Outgassing Requirements	No
Product Source	Czech Republic

Product Compliance

[For compliance documentation, visit the product page on TE.com>](#)

EU RoHS Directive 2011/65/EU	Compliant
EU ELV Directive 2000/53/EC	Compliant
China RoHS 2 Directive MIIT Order No 32, 2016	No Restricted Materials Above Threshold
EU REACH Regulation (EC) No. 1907/2006	Current ECHA Candidate List: JAN 2021 (211) Candidate List Declared Against: JAN 2021 (211) Does not contain REACH SVHC
Halogen Content	BFR/CFR/PVC Free, but Br/Cl >900 ppm in other sources.
Solder Process Capability	Not applicable for solder process capability

Product Compliance Disclaimer

This information is provided based on reasonable inquiry of our suppliers and represents our current actual knowledge based on the information they provided. This information is subject to change. The part numbers that TE has identified as EU RoHS compliant have a maximum concentration of 0.1% by weight in homogenous materials for lead, hexavalent chromium, mercury, PBB, PBDE, DBP, BBP, DEHP, DIBP, and 0.01% for cadmium, or qualify for an exemption to these limits as defined in the Annexes of Directive 2011/65/EU (RoHS2). Finished electrical and electronic equipment products will be CE marked as required by Directive 2011/65/EU. Components may not be CE marked. Additionally, the part numbers that TE has identified as EU ELV compliant have a maximum concentration of 0.1% by weight in homogenous materials for lead, hexavalent chromium, and mercury, and 0.01% for cadmium, or qualify for an exemption to these limits as defined in the Annexes of Directive 2000/53/EC (ELV). Regarding the REACH Regulation, the information TE provides

on SVHC in articles for this part number is based on the latest European Chemicals Agency (ECHA) 'Guidance on requirements for substances in articles' posted at this URL: <https://echa.europa.eu/guidance-documents/guidance-on-reach>

Compatible Parts

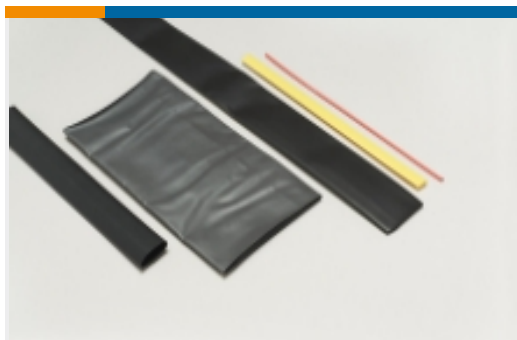


TE Part # CJ2087-000
HL2010E-KIT-120V



TE Part # EG1114-000
CV1981-ST-230V1600W-EU

Also in the Series | Raychem LSTT



Heat Shrink Tubing(143)

Customers Also Bought



TE Part #1623928-4
CFR16 5% 330R



TE Part #122998-000
Medium-Wall Heat Shrink Tubing



TE Part #1379659-1
TH/.025 CONNECTOR SYSTEM,
HOUSING



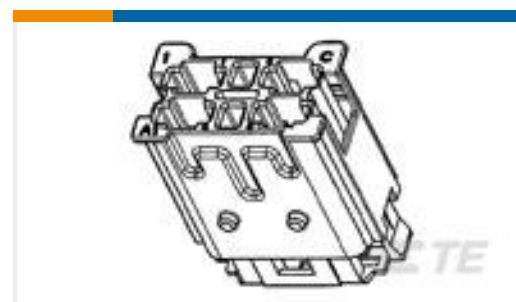
TE Part #1-2236343-5
MCON, CONNECTOR HOUSING



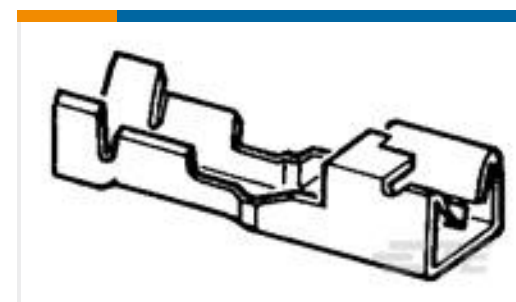
TE Part #1670328-1
AMP MCP, SFC, RECEPTACLE



TE Part #CV21424001
RW-175-E-1/8-X-SP



TE Part #1544147-1
PORTE CLIPS MONTE



TE Part #141992-2
TERMINAL REC POS LOCK 5 MM



Documents

Product Drawings

[LSTT-9.5-0-SP](#)

English

Datasheets & Catalog Pages

[LSTT Pages from 9-1773447-9](#)

English

[Application Tooling for Raychem Heat Shrink Product](#)

English

Product Specifications

[Quality Specification](#)

English

Product Environmental Compliance

[Safety Datasheet](#)

[Safety Datasheet](#)

German

[Safety Datasheet](#)

English

[Safety Datasheet](#)

English

[Safety Datasheet](#)

English

[Safety Datasheet](#)

English

[Safety Datasheet](#)

[Safety Datasheet](#)

[Safety Datasheet](#)

French

[Safety Datasheet](#)

[Safety Datasheet](#)

[Safety Datasheet](#)



[Safety Datasheet](#)