



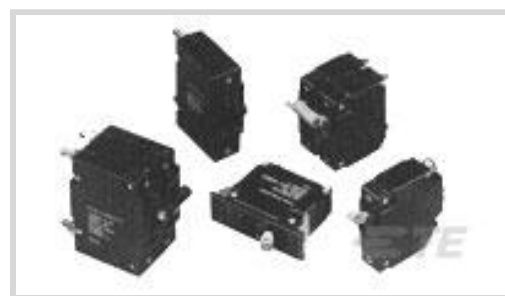
Potter & Brumfield | Potter & Brumfield W6

TE Internal #: 8-1393253-3

Potter & Brumfield W6, Circuit Breakers, Magnetic, Series Trip, White Toggle Color, 415/240VAC / 277VAC Voltage Rating AC

[View on TE.com >](#)

Relays, Contactors & Switches > Circuit Breakers



Circuit Breaker Type: **Magnetic**

Circuit Function: **Series Trip**

Illuminated: **No**

Toggle Color: **White**

Voltage Rating AC: **277 VAC, 415/240 VAC**

Features

Product Type Features

Illumination Type	No Light
Product Type	Circuit Breaker
Actuator Type	Rocker, Toggle
Circuit Breaker Type	Magnetic
Illuminated	No
Toggle Color	White

Configuration Features

	2.25 x 1.66 in
Earthing Switch	Without
Circuit Function	Series Trip

Electrical Characteristics

Voltage Rating AC	277 VAC, 415/240 VAC
Circuit Breaker Current Rating	10 A
Interrupt Capacity	5000A @ 277VAC

Contact Features

Pole Configuration	3
Trip Time at 200%	2.2 – 20 seconds

Termination Features

--	--



Circuit Breaker Termination Type	6.35 [.25] Straight Quick Connect Tab
----------------------------------	---------------------------------------

Mechanical Attachment

Series/Mounting Option	W6 (6-32 Mounting Threads)
Mounting Options	6-32 Mounting Threads
Circuit Breaker Mounting Type	Panel Mount

Dimensions

	.047 – .11 in
Circuit Breaker Size	50.8 mm[2 in]

Identification Marking

Stamped Marking Type	International I/O
----------------------	-------------------

Product Compliance

[For compliance documentation, visit the product page on TE.com>](#)

EU RoHS Directive 2011/65/EU	Compliant with Exemptions
EU ELV Directive 2000/53/EC	Not Compliant
China RoHS 2 Directive MIIT Order No 32, 2016	Restricted Materials Above Threshold
EU REACH Regulation (EC) No. 1907/2006	Current ECHA Candidate List: JAN 2021 (211) Candidate List Declared Against: JAN 2021 (211) SVHC > Threshold: Cadmium oxide (7.95% in Component part) Article Safe Usage Statements: Use personal protective equipment as required. Do not eat, drink or smoke when using this product. Recycle if possible and dispose of the article by following all applicable governmental regulations relevant to your geographic location.
Halogen Content	Not Low Halogen - contains Br or Cl > 900 ppm.
Solder Process Capability	Not applicable for solder process capability

Product Compliance Disclaimer

This information is provided based on reasonable inquiry of our suppliers and represents our current actual knowledge based on the information they provided. This information is subject to change. The part numbers that TE has identified as EU RoHS compliant have a maximum concentration of 0.1% by weight in homogenous materials for lead, hexavalent chromium, mercury, PBB, PBDE, DBP, BBP, DEHP, DIBP, and 0.01% for cadmium, or qualify for an exemption to these limits as defined in the Annexes of Directive 2011/65/EU (RoHS2). Finished electrical and electronic equipment products will be CE marked as required by Directive 2011/65/EU. Components may not be CE marked. Additionally, the part numbers that TE has identified as EU ELV compliant have a maximum concentration of 0.1% by weight in homogenous materials for lead, hexavalent chromium, and mercury, and 0.01% for cadmium, or qualify for an exemption to these limits as defined in the Annexes of Directive 2000/53/EC (ELV). Regarding the REACH Regulation, the information TE provides on SVHC in articles for this part number is based on the latest European Chemicals Agency (ECHA) 'Guidance on requirements for substances in articles' posted at this URL: <https://echa.europa.eu/guidance-documents/guidance-on-reach>

Compatible Parts




TE Part # 8-1393253-5
W69-X2Q12-15=M6/M7/M9/W6/W7



TE Part # 9-1393253-3
W69-X2Q12-5=M6/M7/M9/W6/W7

Also in the Series | Potter & Brumfield W6



Circuit Breakers(71)

Customers Also Bought



TE Part #1-66504-0
D-Sub Conn Contacts: Socket, Phosphor Bronze, Signal, Size 20



TE Part #1-66400-0
TYPE III CONTACTS LP



TE Part #1676625-8
Power Resistors: Aluminum Housed, HSA



TE Part #1623795-3
Wirewound Resistor: Horizontal Mount



TE Part #1532214-1
M83513/01-FN, MCKS-N1-B-37PS



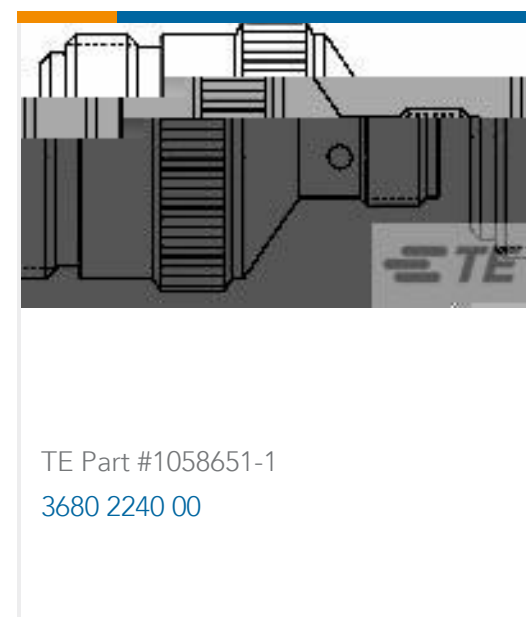
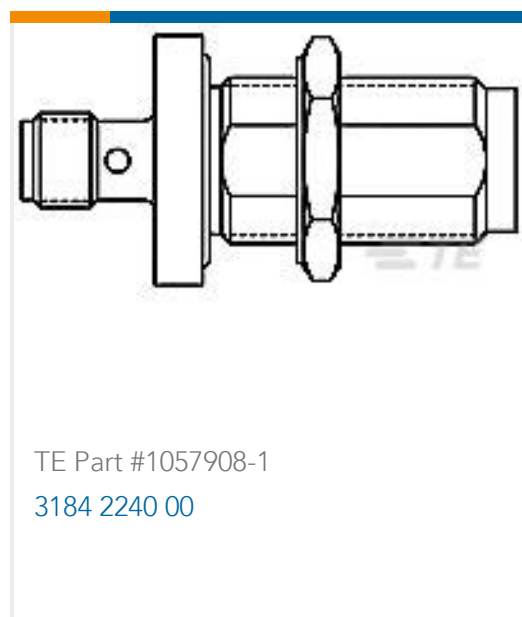
TE Part #1-1775365-4
MOD JACK, RJ45, SHIELD,50u" Au, L=2.05mm



TE Part #1757836-4
AMPLIMITE,R/A RCPT ASY,109,ZN,4



TE Part #YDTS24W15-19PNV001
Jam Nut: D38999, 15-19 Insert



Documents

CAD Files

3D PDF

English

Customer View Model

[ENG_CVM_8-1393253-3_1106.3d_igs.zip](#)

English

Customer View Model

[ENG_CVM_8-1393253-3_1106.3d_stp.zip](#)

English

Customer View Model

[ENG_CVM_8-1393253-3_1106.2d_dxf.zip](#)

English

By downloading the CAD file I accept and agree to the [Terms and Conditions](#) of use.

Datasheets & Catalog Pages

W6/W9 Magnetic Hydraulic Circuit Breaker

English

Industrial Relays Quick Reference Guide

English

Industrial Relays Quick Reference Guide

Japanese

Industrial Relays Quick Reference Guide