



Relays, Contactors & Switches > Circuit Breakers



Circuit Breaker Type: **Magnetic**

Circuit Function: **Series Trip**

Illuminated: **No**

Toggle Color: **White**

Voltage Rating AC: **277 VAC, 415/240 VAC**

## Features

### Product Type Features

|                      |                 |
|----------------------|-----------------|
| Illumination Type    | No Light        |
| Product Type         | Circuit Breaker |
| Actuator Type        | Rocker, Toggle  |
| Circuit Breaker Type | Magnetic        |
| Illuminated          | No              |
| Toggle Color         | White           |

### Configuration Features

|                  |                |
|------------------|----------------|
|                  | 2.25 x 1.66 in |
| Earthing Switch  | Without        |
| Circuit Function | Series Trip    |

### Electrical Characteristics

|                                |                      |
|--------------------------------|----------------------|
| Voltage Rating AC              | 277 VAC, 415/240 VAC |
| Circuit Breaker Current Rating | 25 A                 |
| Interrupt Capacity             | 2500A @ 277VAC       |

### Contact Features

|                    |                  |
|--------------------|------------------|
| Pole Configuration | 3                |
| Trip Time at 200%  | 2.2 – 20 seconds |

### Termination Features

|  |  |
|--|--|
|  |  |
|--|--|



|                                  |                                       |
|----------------------------------|---------------------------------------|
| Circuit Breaker Termination Type | 6.35 [.25] Straight Quick Connect Tab |
|----------------------------------|---------------------------------------|

### Mechanical Attachment

|                        |                            |
|------------------------|----------------------------|
| Series/Mounting Option | W6 (6-32 Mounting Threads) |
|------------------------|----------------------------|

|                  |                       |
|------------------|-----------------------|
| Mounting Options | 6-32 Mounting Threads |
|------------------|-----------------------|

|                               |             |
|-------------------------------|-------------|
| Circuit Breaker Mounting Type | Panel Mount |
|-------------------------------|-------------|

### Dimensions

|  |               |
|--|---------------|
|  | .047 – .11 in |
|--|---------------|

|                      |               |
|----------------------|---------------|
| Circuit Breaker Size | 50.8 mm[2 in] |
|----------------------|---------------|

### Identification Marking

|                      |                   |
|----------------------|-------------------|
| Stamped Marking Type | International I/O |
|----------------------|-------------------|

## Product Compliance

[For compliance documentation, visit the product page on TE.com>](#)

|                              |                           |
|------------------------------|---------------------------|
| EU RoHS Directive 2011/65/EU | Compliant with Exemptions |
|------------------------------|---------------------------|

|                             |               |
|-----------------------------|---------------|
| EU ELV Directive 2000/53/EC | Not Compliant |
|-----------------------------|---------------|

|   |                                      |
|---|--------------------------------------|
| China RoHS 2 Directive MIIT Order No 32, 2016 | Restricted Materials Above Threshold |
|---|--------------------------------------|

|  |  |
|--|--|
| EU REACH Regulation (EC) No. 1907/2006 | <p>Current ECHA Candidate List: JAN 2021 (211)</p> <p>Candidate List Declared Against: JAN 2021 (211)</p> <p>SVHC &gt; Threshold:</p> <p>Cadmium oxide (3.76% in Component Part)</p> <p><b>Article Safe Usage Statements:</b><br/>Use personal protective equipment as required. Do not eat, drink or smoke when using this product. Recycle if possible and dispose of the article by following all applicable governmental regulations relevant to your geographic location.</p> |
|--|--|

|                 |  |
|-----------------|--|
| Halogen Content | Not Low Halogen - contains Br or Cl > 900 ppm. |
|-----------------|--|

|                           |  |
|---------------------------|--|
| Solder Process Capability | Not applicable for solder process capability |
|---------------------------|--|

#### Product Compliance Disclaimer

This information is provided based on reasonable inquiry of our suppliers and represents our current actual knowledge based on the information they provided. This information is subject to change. The part numbers that TE has identified as EU RoHS compliant have a maximum concentration of 0.1% by weight in homogenous materials for lead, hexavalent chromium, mercury, PBB, PBDE, DBP, BBP, DEHP, DIBP, and 0.01% for cadmium, or qualify for an exemption to these limits as defined in the Annexes of Directive 2011/65/EU (RoHS2). Finished electrical and electronic equipment products will be CE marked as required by Directive 2011/65/EU. Components may not be CE marked. Additionally, the part numbers that TE has identified as EU ELV compliant have a maximum concentration of 0.1% by weight in homogenous materials for lead, hexavalent chromium, and mercury, and 0.01% for cadmium, or qualify for an exemption to these limits as defined in the Annexes of Directive 2000/53/EC (ELV). Regarding the REACH Regulation, the information TE provides on SVHC in articles for this part number is based on the latest European Chemicals Agency (ECHA) 'Guidance on requirements for substances in articles' posted at this URL: <https://echa.europa.eu/guidance-documents/guidance-on-reach>



### Compatible Parts

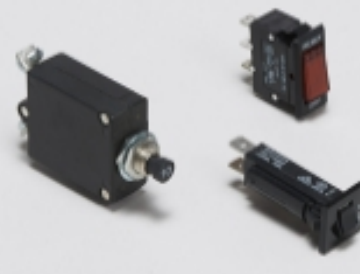


TE Part # 9-1393253-1  
W69-X2Q12-30=M6/M7/M9/W6/W7



TE Part # 175022-1  
250 PL EX REC. 18-14AWG PTBR

### Also in the Series | Potter & Brumfield W6

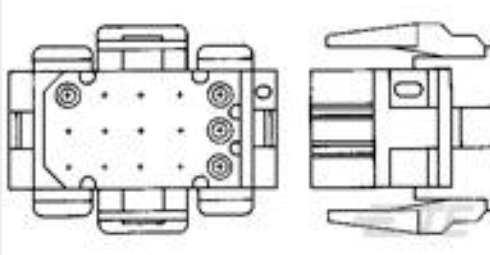


Circuit Breakers(71)

### Customers Also Bought



TE Part #1-2176232-7  
SMD Power Resistor: 3 Watt, 1% Tol



TE Part #1-640520-0  
06P MR II PLUG HSG V0 RED



TE Part #1-87631-9  
24 MODIV HSG COMP DR .100 POL



TE Part #1-1879352-6  
RR02 5% 1R3 AMMO



TE Part #1-1879352-8  
RR02 5% 1R6 AMMO



TE Part #1052515-1  
2052 1133 02



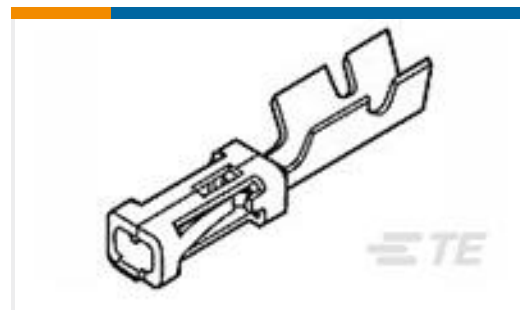
TE Part #1625999-8  
Power Resistors: Aluminum Housed, HSC



TE Part #ZPF000000000015222  
DMC-M 08-16 BB



TE Part #1218125-5  
50 POS,ASSY,PLUG,LOW PROF,109



TE Part #1-85969-0  
MOD IV RECP PLTD 50 SEL

## Documents

### CAD Files

Customer View Model

[ENG\\_CVM\\_8-1393253-8\\_1106.3d\\_igs.zip](#)

English

Customer View Model

[ENG\\_CVM\\_8-1393253-8\\_1106.3d\\_stp.zip](#)

English

Customer View Model

[ENG\\_CVM\\_8-1393253-8\\_1106.2d\\_dxf.zip](#)

English

### 3D PDF

English

By downloading the CAD file I accept and agree to the [Terms and Conditions](#) of use.

### Datasheets & Catalog Pages

[W6/W9 Magnetic Hydraulic Circuit Breaker](#)

English

[Industrial Relays Quick Reference Guide](#)

English

[Industrial Relays Quick Reference Guide](#)

Japanese

[Industrial Relays Quick Reference Guide](#)