



Relays, Contactors & Switches > Circuit Breakers



Circuit Breaker Type: **Magnetic**

Circuit Function: **Series Trip**

Illuminated: **No**

Toggle Color: **Black**

Voltage Rating AC: **277 VAC**

Features

Product Type Features

Illumination Type	No Light
Product Type	Circuit Breaker
Actuator Type	Toggle
Circuit Breaker Type	Magnetic
Illuminated	No
Toggle Color	Black

Configuration Features

	1.52 x 2.065 in
Earthing Switch	Without
Circuit Function	Series Trip

Electrical Characteristics

Voltage Rating AC	277 VAC
Circuit Breaker Current Rating	7 A
Interrupt Capacity	5000A @ 277VAC

Contact Features

Pole Configuration	2
Trip Time at 200%	2.2 – 20 seconds

Termination Features



Circuit Breaker Termination Type	10-32 Stud
----------------------------------	------------

Mechanical Attachment

Series/Mounting Option	W9 (6-32 Mounting Threads)
------------------------	----------------------------

Mounting Options	6-32 Mounting Threads
------------------	-----------------------

Circuit Breaker Mounting Type	Panel Mount
-------------------------------	-------------

Dimensions

Circuit Breaker Size	63.5 mm[2.5 in]
----------------------	-----------------

Identification Marking

Stamped Marking Type	International I/O
----------------------	-------------------

Product Compliance

[For compliance documentation, visit the product page on TE.com>](#)

EU RoHS Directive 2011/65/EU	Compliant with Exemptions
------------------------------	---------------------------

EU ELV Directive 2000/53/EC	Not Compliant
-----------------------------	---------------

China RoHS 2 Directive MIIT Order No 32, 2016	Restricted Materials Above Threshold
---	--------------------------------------

EU REACH Regulation (EC) No. 1907/2006	<p>Current ECHA Candidate List: JAN 2021 (211)</p> <p>Candidate List Declared Against: JAN 2021 (211)</p> <p>SVHC > Threshold:</p> <p>Cadmium oxide (10% in Component Part)</p> <p>Article Safe Usage Statements: Use personal protective equipment as required. Do not eat, drink or smoke when using this product. Recycle if possible and dispose of the article by following all applicable governmental regulations relevant to your geographic location.</p>
--	---

Halogen Content	Not Low Halogen - contains Br or Cl > 900 ppm.
-----------------	--

Solder Process Capability	Not applicable for solder process capability
---------------------------	--

Product Compliance Disclaimer

This information is provided based on reasonable inquiry of our suppliers and represents our current actual knowledge based on the information they provided. This information is subject to change. The part numbers that TE has identified as EU RoHS compliant have a maximum concentration of 0.1% by weight in homogenous materials for lead, hexavalent chromium, mercury, PBB, PBDE, DBP, BBP, DEHP, DIBP, and 0.01% for cadmium, or qualify for an exemption to these limits as defined in the Annexes of Directive 2011/65/EU (RoHS2). Finished electrical and electronic equipment products will be CE marked as required by Directive 2011/65/EU. Components may not be CE marked. Additionally, the part numbers that TE has identified as EU ELV compliant have a maximum concentration of 0.1% by weight in homogenous materials for lead, hexavalent chromium, and mercury, and 0.01% for cadmium, or qualify for an exemption to these limits as defined in the Annexes of Directive 2000/53/EC (ELV). Regarding the REACH Regulation, the information TE provides on SVHC in articles for this part number is based on the latest European Chemicals Agency (ECHA) 'Guidance on requirements for substances in articles' posted at this URL: <https://echa.europa.eu/guidance-documents/guidance-on-reach>



Compatible Parts



TE Part # CAT-P592-R472A
PIDG RING TONGUE TERMINALS



TE Part # CAT-P592-SP118
PIDG SPADE TONGUE TERMINALS



TE Part # 6-1393254-8
W92-X112-10=M6/M7/M9/W6/W7




TE Part # 8-1393254-1
W92-X112-5=M6/M7/M9/W6/W7



TE Part # 6-1393254-1
W92-X1110-10=M6/M7/M9/W6/W7

Also in the Series | Potter & Brumfield W9



Circuit Breakers(70)

Customers Also Bought



TE Part #1658612-1
IDC D-Sub: Receptacle Assembly, Low Profile, Signal, 2.77 mm



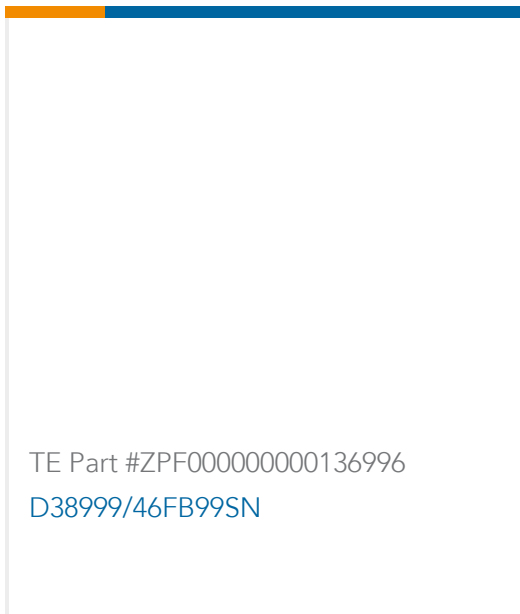
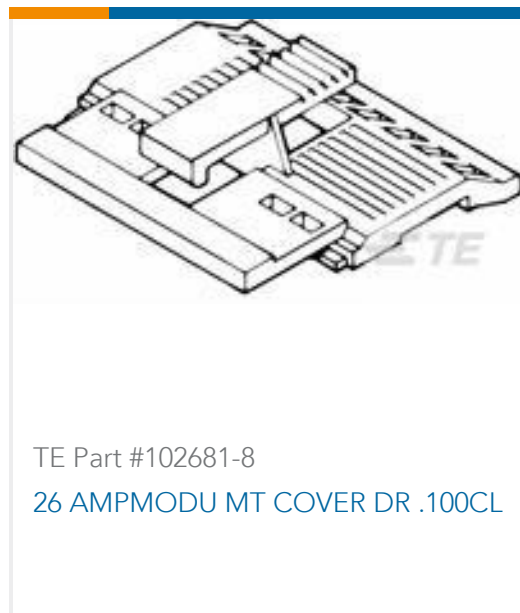
TE Part #1623693-1
CRG1206 ZEROHM



TE Part #1-1879352-8
RR02 5% 1R6 AMMO



TE Part #1462039-4
Standard Signal Relay 2 Form C,2 CO Cont



Documents

CAD Files

3D PDF

3D

Customer View Model

[ENG_CVM_CVM_8-1393254-4_D.2d_dxf.zip](#)

English

Customer View Model

[ENG_CVM_CVM_8-1393254-4_D.3d_igs.zip](#)

English

Customer View Model

[ENG_CVM_CVM_8-1393254-4_D.3d_stp.zip](#)

English

By downloading the CAD file I accept and agree to the [Terms and Conditions](#) of use.

Datasheets & Catalog Pages

[W6/W9 Magnetic Hydraulic Circuit Breaker](#)

English

[Industrial Relays Quick Reference Guide](#)

English

[Industrial Relays Quick Reference Guide](#)

Japanese

[Industrial Relays Quick Reference Guide](#)

Agency Approvals

UL

English

W92-X112-7

Potter & Brumfield W9, Circuit Breakers, Magnetic, Series Trip, Black Toggle Color,
277VAC Voltage Rating AC, 7A Circuit Breaker Current Rating

