

R10S-E2Y2-J2.5K ✓ ACTIVE

Potter & Brumfield | Potter & Brumfield R10

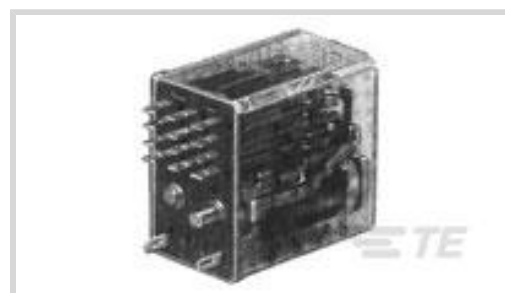
TE Internal #: 8-1393769-3

Potter & Brumfield R10, Power Relays, Industrial Panel Plug-In, Monostable, DC, 0 – 100mW Coil Power Rating Class, 25mW Coil Power Rating DC

[View on TE.com >](#)



Relays, Contactors & Switches > Relays > Power Relays



Power Relay Type: **Industrial Panel Plug-In**

Coil Magnetic System: **Monostable, DC**

Coil Power Rating Class: **0 – 100 mW**

Coil Power Rating DC: **25 mW**

Coil Resistance: **2500 Ω**

Features

Product Type Features

| | |
|------------------|--------------------------|
| Power Relay Type | Industrial Panel Plug-In |
|------------------|--------------------------|

Electrical Characteristics

| | |
|--|-------------------|
| Insulation Initial Dielectric Between Coil & Contact Class | 500 – 1000 V |
| Insulation Initial Dielectric Between Contacts & Coil | 1000 Vrms |
| Actuating System | DC |
| Insulation Initial Dielectric Between Open Contacts | 500 Vrms |
| Insulation Initial Dielectric Between Adjacent Contacts | 1000 Vrms |
| Insulation Initial Resistance | 10000 M Ω |
| Coil Magnetic System | Monostable, DC |
| Coil Power Rating Class | 0 – 100 mW |
| Coil Power Rating DC | 25 mW |
| Coil Resistance | 2500 Ω |
| Coil Special Features | Sensitive Version |
| Contact Switching Load (Min) | 100mA @ 12V |
| Contact Voltage Rating | 120 VAC |

Body Features

| | |
|----------------|---------------|
| Product Weight | 40 g[1.41 oz] |
|----------------|---------------|

Contact Features



| | |
|------------------------------|---------------|
| Contact Arrangement | 2 Form C (CO) |
| Contact Current Class | 2 – 5 A, 16 A |
| Contact Current Rating (Max) | 3 A |
| Contact Material | Ag |
| Contact Number of Poles | 2 |
| Terminal Type | PCB-THT |

Mechanical Attachment

| | |
|---------------------|-----------------------|
| Relay Mounting Type | Printed Circuit Board |
|---------------------|-----------------------|

Dimensions

| | |
|---------------------------|-------------------|
| Length Class (Mechanical) | 20 – 25 mm |
| Height Class (Mechanical) | 30 – 40 mm |
| Width Class (Mechanical) | 16 – 20 mm |
| Product Width | 18.7 mm[.736 in] |
| Product Length | 24.1 mm[.949 in] |
| Product Height | 30.2 mm[1.189 in] |

Usage Conditions

| | |
|---|---------------|
| Environmental Ambient Temperature Class | 70 – 85 °C |
| Environmental Ambient Temperature (Max) | 75 °C[167 °F] |
| Operating Temperature Range | -55 – 75 °C |

Packaging Features

| | |
|------------------|---------|
| Packaging Method | Package |
|------------------|---------|

Product Compliance

For compliance documentation, visit the product page on [TE.com](https://www.te.com)>

| | |
|---|--|
| EU RoHS Directive 2011/65/EU | Compliant with Exemptions |
| EU ELV Directive 2000/53/EC | Compliant with Exemptions |
| China RoHS 2 Directive MIIT Order No 32, 2016 | Restricted Materials Above Threshold |
| EU REACH Regulation (EC) No. 1907/2006 | Current ECHA Candidate List: JAN 2021 (211) Candidate List Declared Against: JAN 2021 (211) SVHC > Threshold: Pb (3.7% in Component part) |

Article Safe Usage Statements:

Do not eat, drink or smoke when using this product. Wash thoroughly after handling. Recycle if possible and dispose of the article by following all applicable governmental regulations relevant to your geographic location.

Halogen Content

Not Yet Reviewed for halogen content

Solder Process Capability

Wave solder capable to 260°C

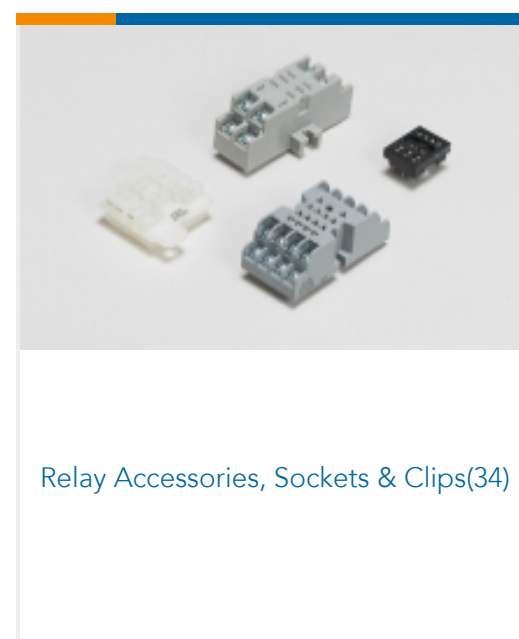
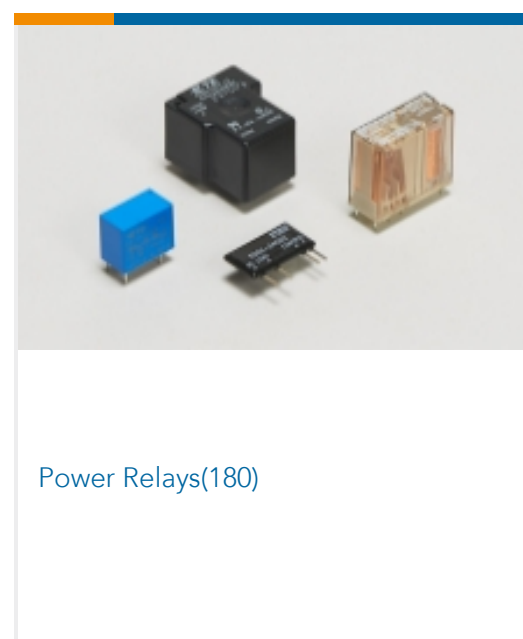
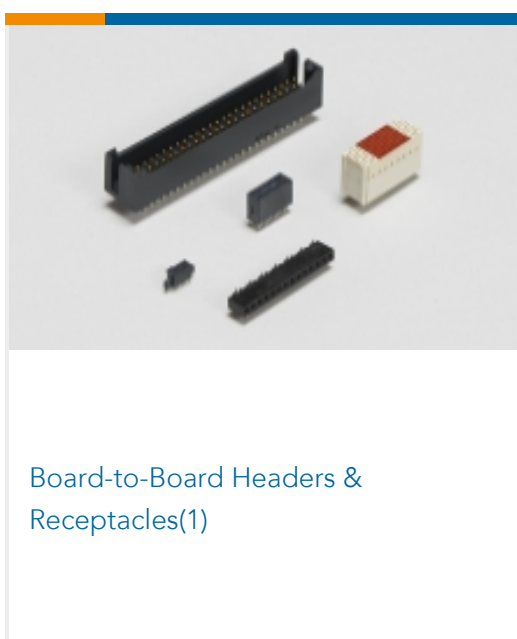
Product Compliance Disclaimer

This information is provided based on reasonable inquiry of our suppliers and represents our current actual knowledge based on the information they provided. This information is subject to change. The part numbers that TE has identified as EU RoHS compliant have a maximum concentration of 0.1% by weight in homogenous materials for lead, hexavalent chromium, mercury, PBB, PBDE, DBP, BBP, DEHP, DIBP, and 0.01% for cadmium, or qualify for an exemption to these limits as defined in the Annexes of Directive 2011/65/EU (RoHS2). Finished electrical and electronic equipment products will be CE marked as required by Directive 2011/65/EU. Components may not be CE marked. Additionally, the part numbers that TE has identified as EU ELV compliant have a maximum concentration of 0.1% by weight in homogenous materials for lead, hexavalent chromium, and mercury, and 0.01% for cadmium, or qualify for an exemption to these limits as defined in the Annexes of Directive 2000/53/EC (ELV). Regarding the REACH Regulation, the information TE provides on SVHC in articles for this part number is based on the latest European Chemicals Agency (ECHA) 'Guidance on requirements for substances in articles' posted at this URL: <https://echa.europa.eu/guidance-documents/guidance-on-reach>

Compatible Parts

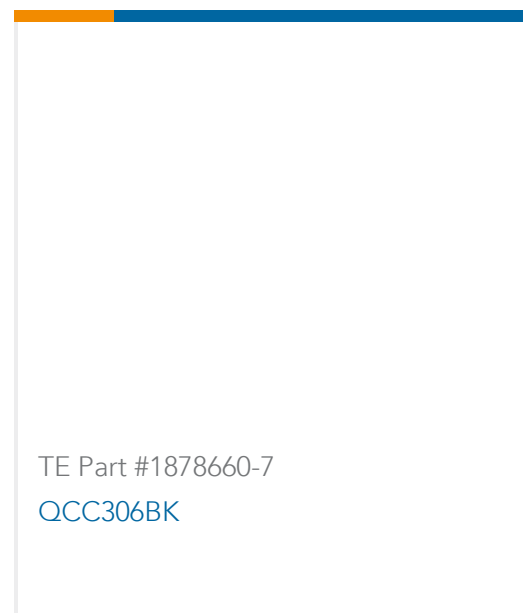
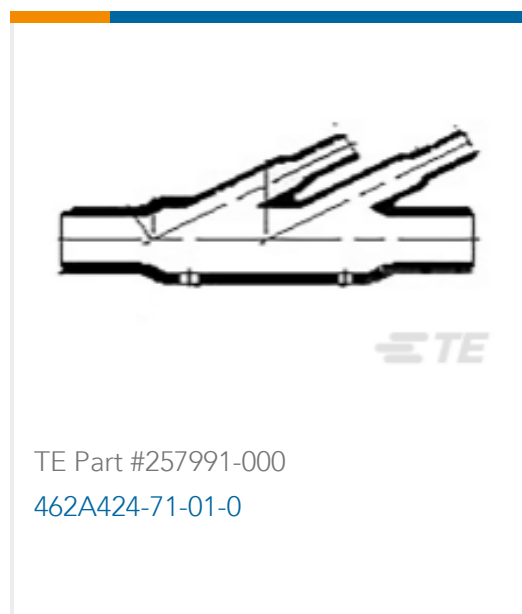


Also in the Series | Potter & Brumfield R10



Customers Also Bought





Documents

CAD Files

3D PDF

3D

Customer View Model

[ENG_CVM_CVM_8-1393769-3_99.2d_dxf.zip](#)

English

Customer View Model

[ENG_CVM_CVM_8-1393769-3_99.3d_igs.zip](#)

English

Customer View Model

[ENG_CVM_CVM_8-1393769-3_99.3d_stp.zip](#)

English

By downloading the CAD file I accept and agree to the [Terms and Conditions](#) of use.

Datasheets & Catalog Pages

[R10 General Purpose Dry Circuit to 7.5 Amp Multicontact AC or DC Relay](#)

English

[Industrial Relays Quick Reference Guide](#)

English

[Industrial Relays Quick Reference Guide](#)

Japanese

[Industrial Relays Quick Reference Guide](#)

Product Specifications

[Definitions, Handling, Processing, Testing and Use of Relays](#)

English

R10S-E2Y2-J2.5K

Potter & Brumfield R10, Power Relays, Industrial Panel Plug-In, Monostable, DC, 0 – 100mW Coil Power Rating Class, 25mW Coil Power Rating DC

