

# 824-AG30D × OBSOLETE

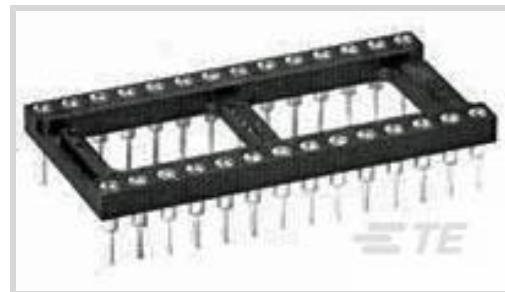
## DIPLOMATE 800 Series

TE Internal #: 8-1437537-7

TE Internal Description: 824-AG30D=SOCKET ASSY

DIP Socket: Standard, Screw Machine, Open, Gold

[View on TE.com >](#)



### All DIP Socket: Standard, Screw Machine, Open, Gold (1)

## Product Compliance

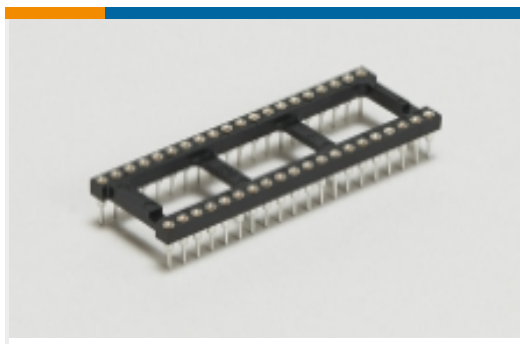
[For compliance documentation, visit the product page on TE.com>](#)

EU RoHS Directive 2011/65/EU	Compliant with Exemptions
EU ELV Directive 2000/53/EC	Compliant with Exemptions
China RoHS 2 Directive MIIT Order No 32, 2016	Restricted Materials Above Threshold
EU REACH Regulation (EC) No. 1907/2006	Current ECHA Candidate List: JAN 2021 (211) Candidate List Declared Against: JAN 2020 (205) SVHC > Threshold: Not Yet Reviewed
Halogen Content	Not Low Halogen - contains Br or Cl > 900 ppm.
Solder Process Capability	Wave solder capable to 265°C

### Product Compliance Disclaimer

This information is provided based on reasonable inquiry of our suppliers and represents our current actual knowledge based on the information they provided. This information is subject to change. The part numbers that TE has identified as EU RoHS compliant have a maximum concentration of 0.1% by weight in homogenous materials for lead, hexavalent chromium, mercury, PBB, PBDE, DBP, BBP, DEHP, DIBP, and 0.01% for cadmium, or qualify for an exemption to these limits as defined in the Annexes of Directive 2011/65/EU (RoHS2). Finished electrical and electronic equipment products will be CE marked as required by Directive 2011/65/EU. Components may not be CE marked. Additionally, the part numbers that TE has identified as EU ELV compliant have a maximum concentration of 0.1% by weight in homogenous materials for lead, hexavalent chromium, and mercury, and 0.01% for cadmium, or qualify for an exemption to these limits as defined in the Annexes of Directive 2000/53/EC (ELV). Regarding the REACH Regulation, the information TE provides on SVHC in articles for this part number is based on the latest European Chemicals Agency (ECHA) 'Guidance on requirements for substances in articles' posted at this URL: <https://echa.europa.eu/guidance-documents/guidance-on-reach>

## Also in the Series | [DIPLOMATE 800 Series](#)



DIP Sockets(5)

### Customers Also Bought



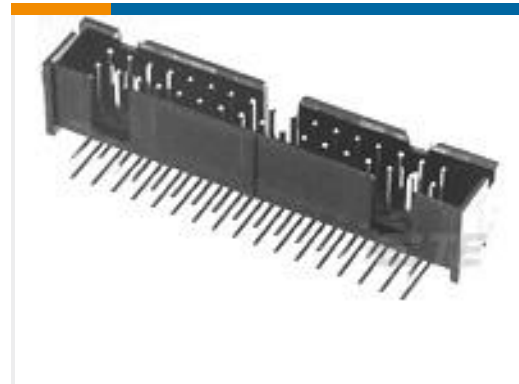
TE Part #1060455-1  
SMB RF Connector: Male (Jack), Snap Fit, 50 Ohm



TE Part #1-794105-1  
18P MINI UMNL R/A HDR ASSY LF



TE Part #9-1879215-9  
CPF 0402 48K7 0.1% 25PPM 1K RL



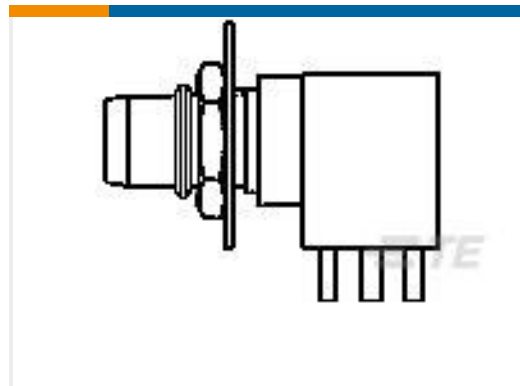
TE Part #103310-3  
016 LOPRO HDR RA 15DP



TE Part #103186-8  
16 MODII HDR DRST B/A .100CL



TE Part #103185-3  
03 MODII HDR SRST B/A .100CL



TE Part #1059350-1  
4465 5001 94



TE Part #120525-1  
Free Height Plug Connector: Board-Board, Vertical, 64, 1mm



TE Part #1218434-1  
R/A RCP ASSY 9 POS SER 109

### Documents

[Product Drawings](#)  
[824-AG30D=SOCKET ASSY](#)

English

### CAD Files

[3D PDF](#)

[3D](#)

[Customer View Model](#)

[ENG\\_CVM\\_CVM\\_8-1437537-7\\_E.2d\\_dxf.zip](#)



English

Customer View Model

[ENG\\_CVM\\_CVM\\_8-1437537-7\\_E.3d\\_igs.zip](#)

English

Customer View Model

[ENG\\_CVM\\_CVM\\_8-1437537-7\\_E.3d\\_stp.zip](#)

English

By downloading the CAD file I accept and agree to the [Terms and Conditions](#) of use.

## Product Environmental Compliance

[Product Compliance](#)

English

[Product Compliance](#)

English