

RNF-3000-18/6-0-SP ✓ ACTIVE

Raychem | Raychem RNF-3000

TE Internal #: 8638624002

Raychem RNF-3000, Heat Shrink Tubing, Black, Single Wall Type, 18 Expanded Inside Diameter (Min) .709 Expanded Inside Diameter (Min)

[View on TE.com >](#)



Heat Shrink Tubing > RNF-3000 Single Wall Spool HS Tubing



Primary Product Color: **Black**

Wall Type: **Single**

Expanded Inside Diameter (Min): **18 mm [.709 in]**

Recovered Inside Diameter (Max): **6 mm [.236 in]**

Shrink Ratio: **3:1**

[All RNF-3000 Single Wall Spool HS Tubing \(91\)](#)

Features

Product Type Features

Product Family	RNF-3000
Wall Type	Single

Electrical Characteristics

Voltage (Max)	.6 kV
---------------	-------

Body Features

Fluid Type	Gasoline, Hydraulic Fluid, Lubricating Oil, Water
Primary Product Color	Black
Shrink Ratio	3:1
Primary Product Material	Irradiated Modified Polyolefin
Flexibility	Flexible

Dimensions

Recovered Wall Thickness (Tolerance)	.12 mm[.004 in]
Recovered Wall Thickness (Nominal)	.85 mm[.033 in]
Expanded Inside Diameter (Min)	18 mm[.709 in]
Recovered Inside Diameter (Max)	6 mm[.236 in]
Heat Shrink Tubing Size Range	6 – 18 mm[.236 – .709 in]



Usage Conditions

Fluid Resistance	Splash Protection
Shrink Temperature (Min)	80 °C
Heat Shrink Tubing Flammability	Flame-Retardant
Operating Temperature Range	-55 – 135 °C
Heat Shrink Tubing Resistance	Abrasion, Fluids, Mechanical Damage, Strain
Recovery Temperature	120 °C

Product Availability

Applicable Region	Global
-------------------	--------

Packaging Features

Packaging Method	Box
------------------	-----

Other

Meets Low Outgassing Requirements	No
Product Source	Czech Republic

Product Compliance

[For compliance documentation, visit the product page on TE.com>](#)

EU RoHS Directive 2011/65/EU	Compliant
EU ELV Directive 2000/53/EC	Compliant
China RoHS 2 Directive MIIT Order No 32, 2016	No Restricted Materials Above Threshold
EU REACH Regulation (EC) No. 1907/2006	Current ECHA Candidate List: JAN 2021 (211) Candidate List Declared Against: JAN 2021 (211) Does not contain REACH SVHC
Halogen Content	Not Low Halogen - contains Br or Cl > 900 ppm.
Solder Process Capability	Not applicable for solder process capability

Product Compliance Disclaimer

This information is provided based on reasonable inquiry of our suppliers and represents our current actual knowledge based on the information they provided. This information is subject to change. The part numbers that TE has identified as EU RoHS compliant have a maximum concentration of 0.1% by weight in homogenous materials for lead, hexavalent chromium, mercury, PBB, PBDE, DBP, BBP, DEHP, DIBP, and 0.01% for cadmium, or qualify for an exemption to these limits as defined in the Annexes of Directive 2011/65/EU (RoHS2). Finished electrical and electronic equipment products will be CE marked as required by Directive 2011/65/EU. Components may not be CE marked. Additionally, the part numbers that TE has identified as EU ELV compliant have a maximum concentration of 0.1% by weight in homogenous materials for lead, hexavalent chromium, and mercury, and 0.01% for cadmium, or qualify for an exemption to these limits

as defined in the Annexes of Directive 2000/53/EC (ELV). Regarding the REACH Regulation, the information TE provides on SVHC in articles for this part number is based on the latest European Chemicals Agency (ECHA) 'Guidance on requirements for substances in articles' posted at this URL: <https://echa.europa.eu/guidance-documents/guidance-on-reach>

Compatible Parts

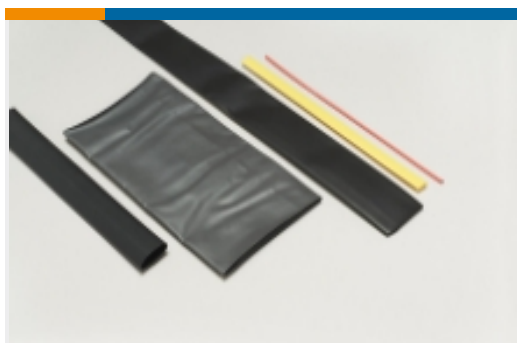


TE Part # CJ2087-000
HL2010E-KIT-120V



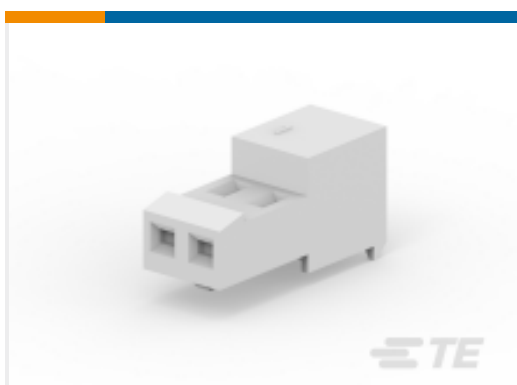
TE Part # EG1114-000
CV1981-ST-230V1600W-EU

Also in the Series | Raychem RNF-3000



Heat Shrink Tubing(212)

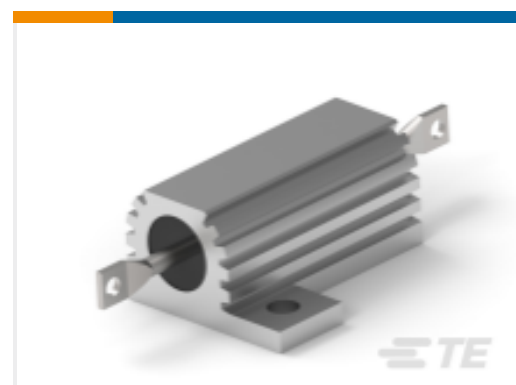
Customers Also Bought



TE Part #4-640441-6
Nylon Tin Plated Receptacle: 2.54mm,
No Mating Alignment, MTA 100



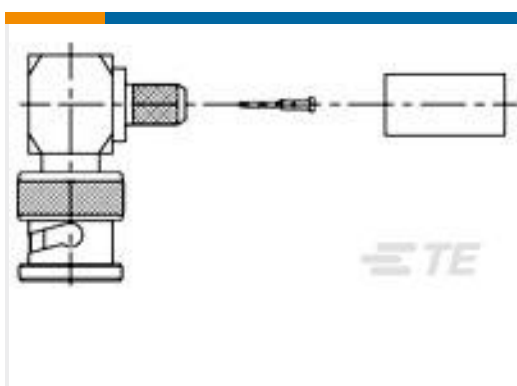
TE Part #338097-1
CRIMP CONTACTS



TE Part #1879363-9
Power Resistor: Aluminum Housed, 75
Watt



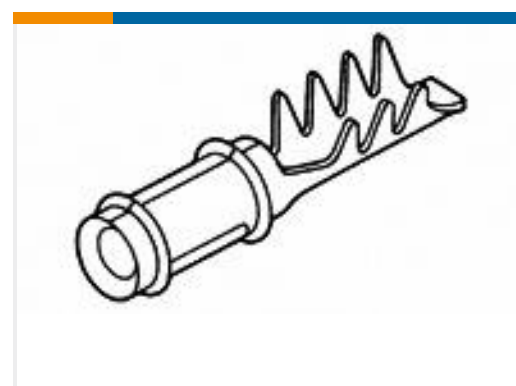
TE Part #2118720-2
STD SHIELD FRAME, CRS-32.00X32.
00X6.00MM



TE Part #1-1337440-0
BNC R/A Plg Hex 75Ohm Silver Pltd
RG179B



TE Part #368507-1
MULTILOCK, CONNECTOR HOUSING



TE Part #350393-1
058 PCB REC IP 010PTPHBZ



TE Part #NB10696001
ATUM-32/8-0-50MM

Documents



Product Drawings

[RNF-3000-18/6-0-SP](#)

English

Datasheets & Catalog Pages

[RNF-3000 Pages from 9-1773447-9](#)

English

[Application Tooling for Raychem Heat Shrink Product](#)

English

Product Specifications

[Quality Specification](#)

English

Product Environmental Compliance

[Safety Datasheet](#)

[Safety Datasheet](#)

German

[Safety Datasheet](#)

English

[Safety Datasheet](#)

English

[Safety Datasheet](#)

English

[Safety Datasheet](#)

English

[Safety Datasheet](#)

[Safety Datasheet](#)

[Safety Datasheet](#)

French

[Safety Datasheet](#)

[Safety Datasheet](#)

[Safety Datasheet](#)

[Safety Datasheet](#)