

91117-3 ✓ ACTIVE

AMP

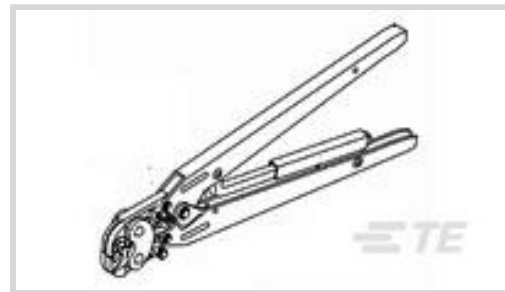
TE Internal #: 91117-3

Portable Crimp Tools, Commercial Crimp Tooling, Not Releasable, Not Adjustable, Fixed In Tool, TE Product Specification (108-), Manual

[View on TE.com >](#)



Application Tooling > Portable Crimp Tools



Tool Grade: **Commercial Crimp Tooling**

Ratchet Configuration: **Not Releasable, Not Adjustable**

Die Sets Type: **Fixed In Tool**

Specification Type: **TE Product Specification (108-)**

TE Certification: **Cannot be Certified**

Features

Other

| | |
|-----------------------|---------------------------------|
| Tool Grade | Commercial Crimp Tooling |
| Ratchet Configuration | Not Releasable, Not Adjustable |
| Die Sets Type | Fixed In Tool |
| Specification Type | TE Product Specification (108-) |
| TE Certification | Cannot be Certified |
| Power Technology Type | Manual |
| Tooling Type | Double Action Hand Tool |

Product Compliance

[For compliance documentation, visit the product page on TE.com>](#)

| | |
|---|---|
| EU RoHS Directive 2011/65/EU | Out of Scope |
| EU ELV Directive 2000/53/EC | Out of Scope |
| China RoHS 2 Directive MIIT Order No 32, 2016 | Not reviewed for China RoHS compliance |
| EU REACH Regulation (EC) No. 1907/2006 | Current ECHA Candidate List: JAN 2021 (211) Candidate List Declared Against: JUN 2016 (169) SVHC > Threshold: Not Yet Reviewed |
| Halogen Content | Not Yet Reviewed for halogen content |

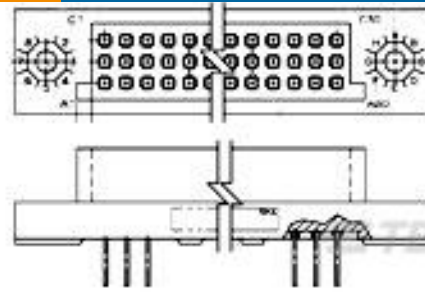
Solder Process Capability

Not applicable for solder process capability

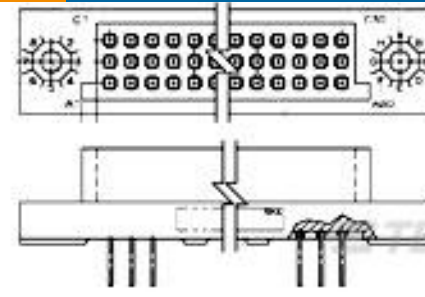
Product Compliance Disclaimer

This information is provided based on reasonable inquiry of our suppliers and represents our current actual knowledge based on the information they provided. This information is subject to change. The part numbers that TE has identified as EU RoHS compliant have a maximum concentration of 0.1% by weight in homogenous materials for lead, hexavalent chromium, mercury, PBB, PBDE, DBP, BBP, DEHP, DIBP, and 0.01% for cadmium, or qualify for an exemption to these limits as defined in the Annexes of Directive 2011/65/EU (RoHS2). Finished electrical and electronic equipment products will be CE marked as required by Directive 2011/65/EU. Components may not be CE marked. Additionally, the part numbers that TE has identified as EU ELV compliant have a maximum concentration of 0.1% by weight in homogenous materials for lead, hexavalent chromium, and mercury, and 0.01% for cadmium, or qualify for an exemption to these limits as defined in the Annexes of Directive 2000/53/EC (ELV). Regarding the REACH Regulations, TE's information on SVHC in articles for this part number is still based on the European Chemical Agency (ECHA) 'Guidance on requirements for substances in articles' (Version: 2, April 2011), applying the 0.1% weight on weight concentration threshold at the finished product level. TE is aware of the European Court of Justice ruling of September 10th, 2015 also known as O5A (Once An Article Always An Article) stating that, in case of 'complex object', the threshold for a SVHC must be applied to both the product as a whole and simultaneously to each of the articles forming part of its composition. TE has evaluated this ruling based on the new ECHA "Guidance on requirements for substances in articles" (June 2017, version 4.0) and will be updating its statements accordingly.

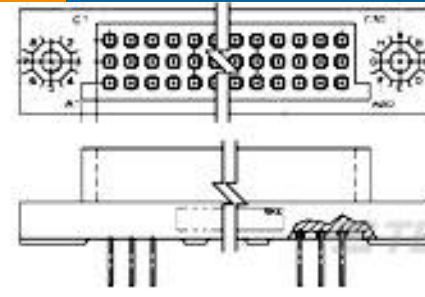
Compatible Parts



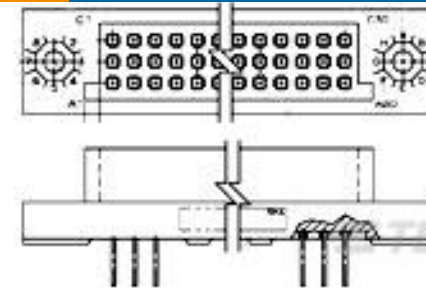
TE Part # 446853-1
3 ROW BOX REC 90P 100CL SEALED



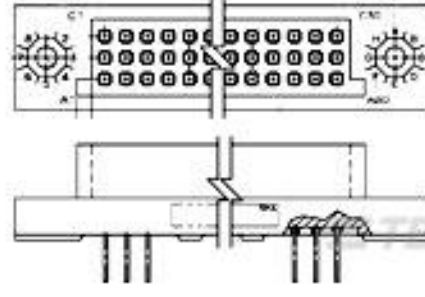
TE Part # 446853-4
3ROW BOX REC 150P 100CL SEALED



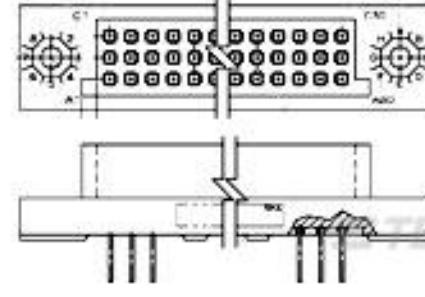
TE Part # 446853-5
3ROW BOX REC 165P 100CLSEALED



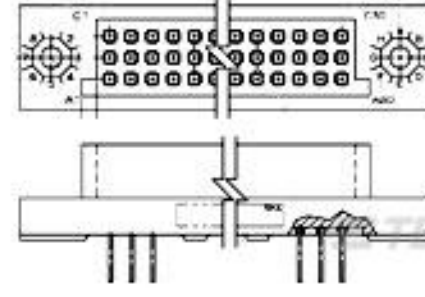
TE Part # 447192-4
3 ROW BOX RECP 150 POS 100 C/L



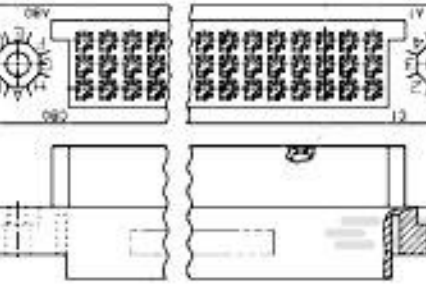
TE Part # 531134-1
3ROW BOX REC 90P 100CL UNSEAL



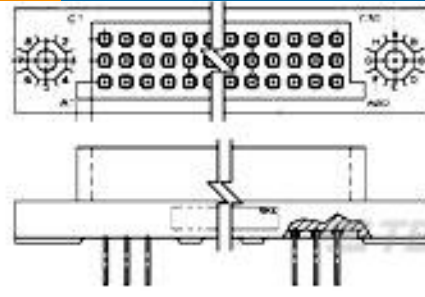
TE Part # 531134-7
3ROW BOX REC 210P 100CL UNSEAL



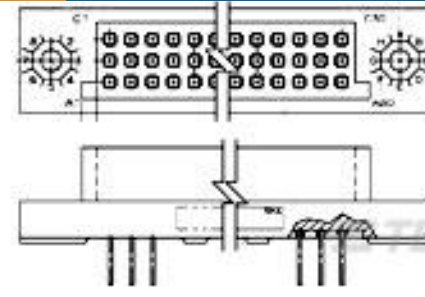
TE Part # 1-531134-2
3ROW BOX REC 135P 100CL UNSEAL



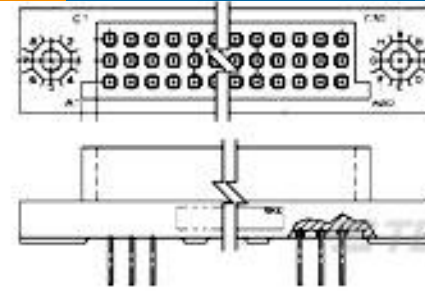
TE Part # 1-531984-3
BX RCPT HSG 150 POS 100CL



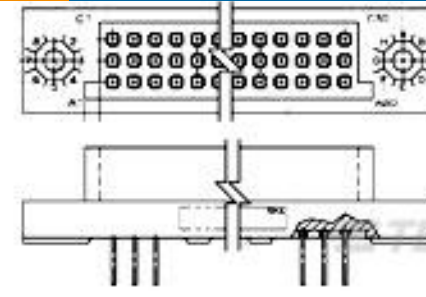
TE Part # 446853-2
3ROW BOX REC 105P 100CL SEALED



TE Part # 446853-3
3ROW BOX REC 120P 100CL SEALED



TE Part # 446853-6
3ROW BOX REC 180P 100CL SEALED



TE Part # 446853-7
3ROW BOX REC 210P 100CL SEALED

TE Part # 446853-9
3ROW BOX REC 135P 100CL SEALED

TE Part # 447192-5
3 ROW BOX RECP 165 POS 100 C/L

TE Part # 447192-7
3 ROW BOX RECP 210 POS 100 C/L

TE Part # 447193-5
3 ROW BOX RECP 165 POS 100 C/L

TE Part # 447255-2
3 ROW BOX RECP 210 POS 100 C/L

TE Part # 531134-2
3ROW BOX REC 105P 100CL UNSEAL

TE Part # 531134-5
3ROW BOX REC 165P 100CL UNSEAL

TE Part # 531134-6
3ROW BOX REC 180P 100CL UNSEAL

Customers Also Bought

TE Part #1-1734829-4
AMP HPI 1.25MM HEADERS

TE Part #1-1617073-6
3SBC2005A2 = M39016/13-060P

TE Part #4-1617119-4
J1MSP-26XL=M39016/10-024L

TE Part #YDTS24W13-04ABV001
Jam Nut: D38999, 13-04 Insert

TE Part #1-1617128-5
JMSCD-26XPS = M39016/16-044P

TE Part #103577-1
MACH APL BAND W/POST 30 DPLX

TE Part #34108-2
SOLIS R 22-16 8 TIN/LEAD

TE Part #1-103329-4
14 MODII HDR SRRA B/A .100CL

TE Part #2-1617342-8
HFW1230G01M=M39016/6-112M

TE Part #4-1617119-1
J1MSP-12XL = M39016/10

Documents



Datasheets & Catalog Pages

[CERTI-CRIMP II-Premium-August-1-1773864-7](#)

English

[Crimp Term Whitepaper-Use the Right Tool 1-1773953-1](#)

English

[Bottoming Dies](#)

English

[CRIMPING WHERE FORM MEETS FUNCTION](#)

English

Instruction Sheets

[Instruction Sheet \(U.S.\)](#)

English