

91547-1 ✓ ACTIVE

AMP

TE Internal #: 91547-1

Portable Crimp Tools, Premium Crimp Tooling, Not Releasable,  
Not Adjustable, Fixed In Tool, TE Product Specification (114-)

[View on TE.com >](#)



Application Tooling > Portable Crimp Tools



Tool Grade: **Premium Crimp Tooling**

Ratchet Configuration: **Not Releasable, Not Adjustable**

Die Sets Type: **Fixed In Tool**

Specification Type: **TE Product Specification (114-)**

TE Certification: **Yes – Certificate Included**

## Features

### Other

Crimp Form-Wire Barrel Type	Open Barrel - F Crimp
Tool Grade	Premium Crimp Tooling
Ratchet Configuration	Not Releasable, Not Adjustable
Die Sets Type	Fixed In Tool
Specification Type	TE Product Specification (114-)
TE Certification	Yes – Certificate Included
Power Technology Type	Battery, Electric, Manual
Tooling Type	CERTI-CRIMP II, Straight Action Hand Tool

## Product Compliance

[For compliance documentation, visit the product page on TE.com>](#)

EU RoHS Directive 2011/65/EU	Out of Scope
EU ELV Directive 2000/53/EC	Out of Scope
China RoHS 2 Directive MIIT Order No 32, 2016	Not reviewed for China RoHS compliance
EU REACH Regulation (EC) No. 1907/2006	Current ECHA Candidate List: JAN 2021 (211) Candidate List Declared Against: JUN 2016 (169) SVHC > Threshold: Not Yet Reviewed
Halogen Content	Not Yet Reviewed for halogen content



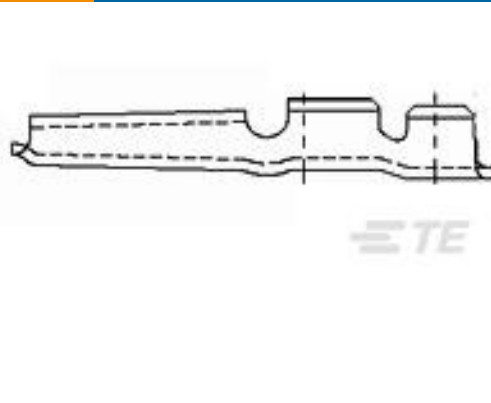
Solder Process Capability

Not applicable for solder process capability

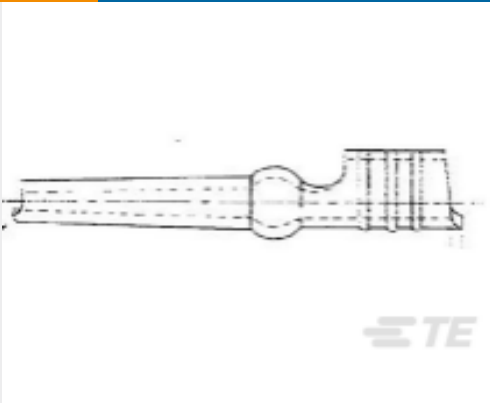
Product Compliance Disclaimer

This information is provided based on reasonable inquiry of our suppliers and represents our current actual knowledge based on the information they provided. This information is subject to change. The part numbers that TE has identified as EU RoHS compliant have a maximum concentration of 0.1% by weight in homogenous materials for lead, hexavalent chromium, mercury, PBB, PBDE, DBP, BBP, DEHP, DIBP, and 0.01% for cadmium, or qualify for an exemption to these limits as defined in the Annexes of Directive 2011/65/EU (RoHS2). Finished electrical and electronic equipment products will be CE marked as required by Directive 2011/65/EU. Components may not be CE marked. Additionally, the part numbers that TE has identified as EU ELV compliant have a maximum concentration of 0.1% by weight in homogenous materials for lead, hexavalent chromium, and mercury, and 0.01% for cadmium, or qualify for an exemption to these limits as defined in the Annexes of Directive 2000/53/EC (ELV). Regarding the REACH Regulations, TE's information on SVHC in articles for this part number is still based on the European Chemical Agency (ECHA) 'Guidance on requirements for substances in articles' (Version: 2, April 2011), applying the 0.1% weight on weight concentration threshold at the finished product level. TE is aware of the European Court of Justice ruling of September 10th, 2015 also known as O5A (Once An Article Always An Article) stating that, in case of 'complex object', the threshold for a SVHC must be applied to both the product as a whole and simultaneously to each of the articles forming part of its composition. TE has evaluated this ruling based on the new ECHA "Guidance on requirements for substances in articles" (June 2017, version 4.0) and will be updating its statements accordingly.

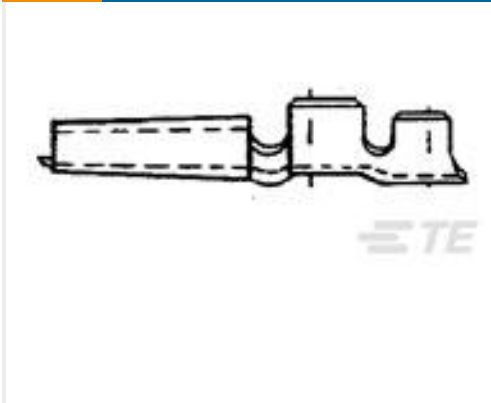
Compatible Parts



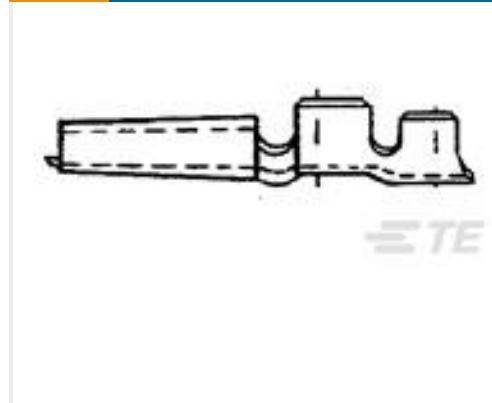
TE Part # 1757299-1  
TAPER PIN,ON STRIP,TIN;53SER




TE Part # 41278  
TAPER PIN,STRIP,TIN-L;53SER,082  
TEMP1/2H



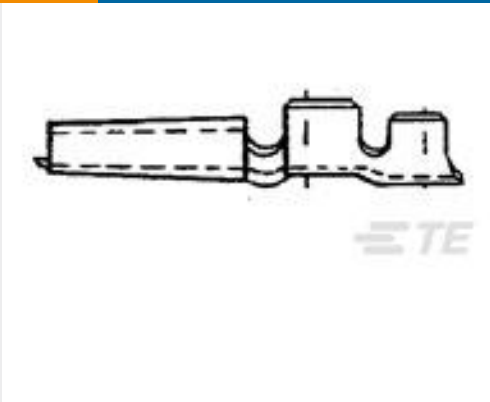
TE Part # 41646  
TAPER PIN,ON STRIP,GOLD;53SER



TE Part # 41661  
TAPER PIN



TE Part # 41496  
TAPER PIN



TE Part # 41640  
STRIP TAPER PIN - PLATED

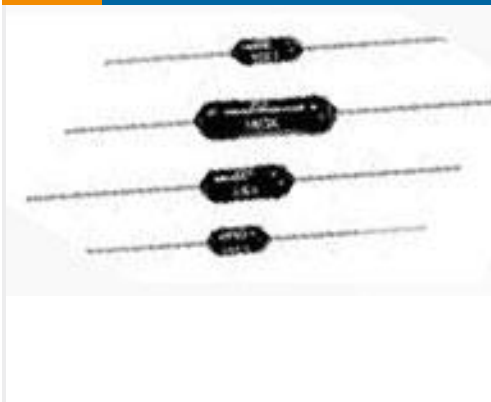
Customers Also Bought




TE Part #1623788-8  
Wirewound Resistor: Vertical Mount



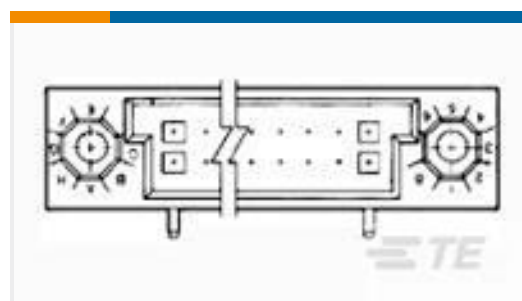
TE Part #110219-000  
CTA-1160



TE Part #1-1879663-4  
H8 147R 0.1% 15PPM



TE Part #1589851-3  
PSM005SC0DY012Q = Panel Mount



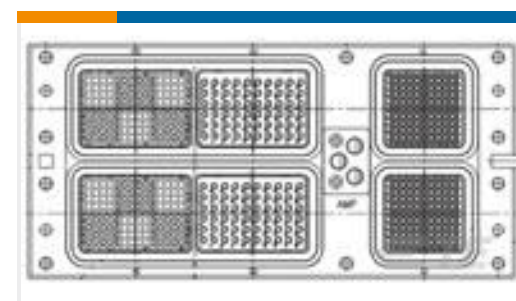
TE Part #1-532428-1  
HDI RECP ASSY 2 ROW 120 POS



TE Part #1-87465-3  
12 MODII HDR SRST UNSHRD .100



TE Part #YDTS24F13-35BNV001  
D38999: Jam Nut, 13-35 Insert



TE Part #1996964-2  
A600R,Sz3,150/60/100x2,eni



TE Part #1752680-1  
HYP10 SOLIS FLAG 4/0AWG NEST



TE Part #1622916-1  
CRG0603 1% 30R

## Documents

### Datasheets & Catalog Pages

[CERTI-CRIMPII-Premium-August-1-1773864-7](#)

English

[CERTI-CRIMP II TOOL DATA SHEET MISCELLANEOUS CONTACTS](#)

English

[Crimp Term Whitepaper-Use the Right Tool 1-1773953-1](#)

English

### Bottoming Dies

English

[CRIMPING WHERE FORM MEETS FUNCTION](#)

English

### Instruction Sheets

[Instruction Sheet \(U.S.\)](#)

English