



Raychem | Raychem RW-200

TE Internal #: CB03314003

Raychem RW-200, Heat Shrink Tubing, Black, Single Wall Type, 4.75 Expanded Inside Diameter (Min) .187 Expanded Inside Diameter (Min)

[View on TE.com >](#)

Heat Shrink Tubing > Single Heavy Wall RW 200 E: Heat Shrink Tubing, 2:1 Shrink Ratio



Primary Product Color: **Black**

Wall Type: **Single**

Expanded Inside Diameter (Min): **4.75 mm [.187 in]**

Recovered Inside Diameter (Max): **2.37 mm [.094 in]**

Shrink Ratio: **2:1**

[All Single Heavy Wall RW 200 E: Heat Shrink Tubing, 2:1 Shrink Ratio \(12\)](#)

Features

Product Type Features

Wall Type	Single
-----------	--------

Body Features

Material Systems Code	200
Fluid Type	Aviation Fuel, Hydraulic Fluid, Lubricating Oil, Water
Primary Product Color	Black
Shrink Ratio	2:1
Primary Product Material	Crosslinked Fluoroelastomer
Flexibility	Flexible

Dimensions

Recovered Wall Thickness (Nominal)	1 mm [.039 in]
Expanded Inside Diameter (Min)	4.75 mm [.187 in]
Recovered Inside Diameter (Max)	2.37 mm [.094 in]
Heat Shrink Tubing Size Range	2.37 – 4.75 mm [.094 – .187 in]

Usage Conditions

Fluid Resistance	Immersion Protection, Splash Protection
Shrink Temperature (Min)	175 °C



Heat Shrink Tubing Flammability	Flame-Retardant
Operating Temperature Range	-40 – 200 °C
Heat Shrink Tubing Resistance	Fluids
Recovery Temperature	175 °C

Packaging Features

Packaging Method	Piece
------------------	-------

Other

Meets Low Outgassing Requirements	No
Product Source	UK

Product Compliance

[For compliance documentation, visit the product page on TE.com>](#)

EU RoHS Directive 2011/65/EU	Compliant
EU ELV Directive 2000/53/EC	Compliant
China RoHS 2 Directive MIIT Order No 32, 2016	No Restricted Materials Above Threshold
EU REACH Regulation (EC) No. 1907/2006	Current ECHA Candidate List: JAN 2021 (211) Candidate List Declared Against: JAN 2021 (211) Does not contain REACH SVHC
Halogen Content	Low Bromine/Chlorine - Br and Cl < 900 ppm per homogenous material. Also BFR /CFR/PVC Free
Solder Process Capability	Not applicable for solder process capability

Product Compliance Disclaimer

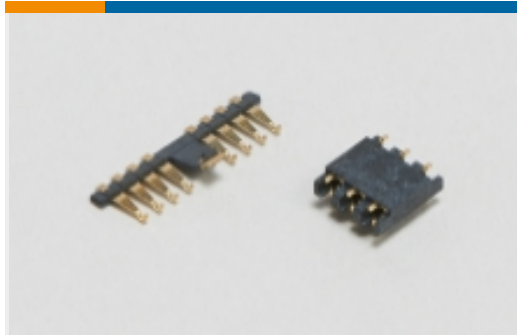
This information is provided based on reasonable inquiry of our suppliers and represents our current actual knowledge based on the information they provided. This information is subject to change. The part numbers that TE has identified as EU RoHS compliant have a maximum concentration of 0.1% by weight in homogenous materials for lead, hexavalent chromium, mercury, PBB, PBDE, DBP, BBP, DEHP, DIBP, and 0.01% for cadmium, or qualify for an exemption to these limits as defined in the Annexes of Directive 2011/65/EU (RoHS2). Finished electrical and electronic equipment products will be CE marked as required by Directive 2011/65/EU. Components may not be CE marked. Additionally, the part numbers that TE has identified as EU ELV compliant have a maximum concentration of 0.1% by weight in homogenous materials for lead, hexavalent chromium, and mercury, and 0.01% for cadmium, or qualify for an exemption to these limits as defined in the Annexes of Directive 2000/53/EC (ELV). Regarding the REACH Regulation, the information TE provides on SVHC in articles for this part number is based on the latest European Chemicals Agency (ECHA) 'Guidance on requirements for substances in articles' posted at this URL: <https://echa.europa.eu/guidance-documents/guidance-on-reach>

Compatible Parts

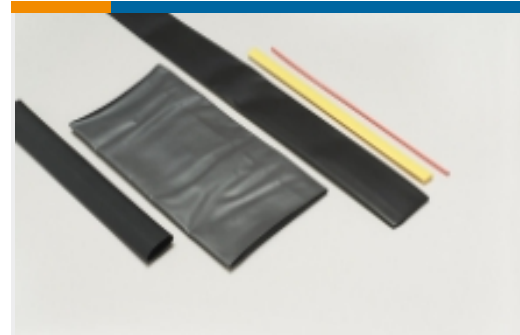


TE Part # CJ2087-000
HL2010E-KIT-120V

Also in the Series | Raychem RW-200



Compression Headers & Receptacles(1)

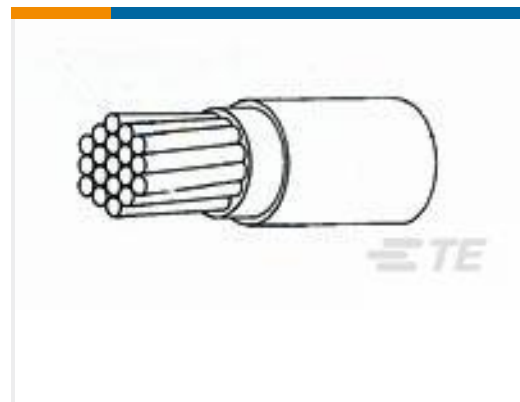


Heat Shrink Tubing(24)

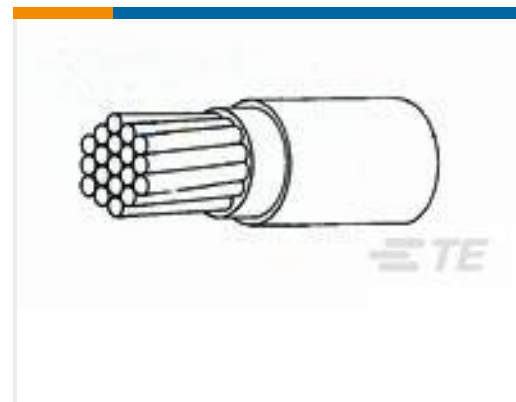
Customers Also Bought



TE Part #2161213004
55A0111-16-2



TE Part #2820123007
44A0111-18-2



TE Part #2820103008
44A0111-18-0



TE Part #2160053004
55A0111-20-9



TE Part #3160343004
55A1121-22-2/6-9



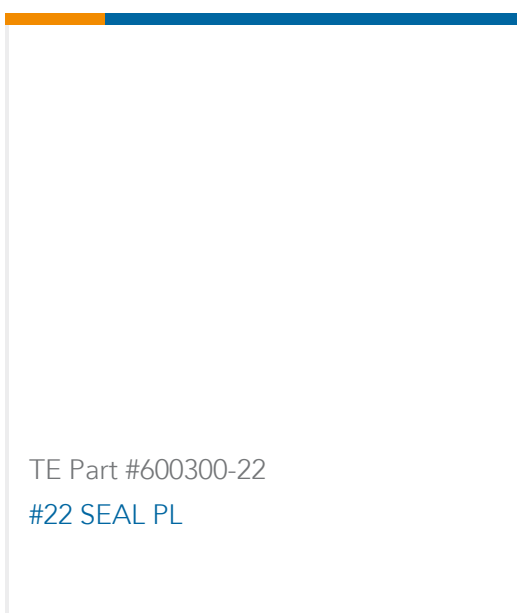
TE Part #2160263005
55A0111-24-9



TE Part #2160013004
55A0111-22-9



TE Part #3160353004
55A1121-24-2/6-9



TE Part #600300-22
#22 SEAL PL



TE Part #ZPF00000000203106
KIT CONTACT THERMO POUR
THERMO COAX



Documents

Product Drawings

[RW-200-E-3/16-0-SP](#)

English

Datasheets & Catalog Pages

[1654025_Sec3_RW-200_RW-200E](#)

English

[6-1773439-3TubingSelectionGuideEN](#)

English

Product Specifications

[Raychem Fluoroelastomer Tubing Flexible, Fluid Resistant, Heat-Shrinkable](#)

English

Product Environmental Compliance

[Safety Datasheet](#)

German

[Safety Datasheet](#)

English

[Safety Datasheet](#)

[Safety Datasheet](#)

French

[Safety Datasheet](#)

[Safety Datasheet](#)

[Safety Datasheet](#)