



Raychem | Raychem HF

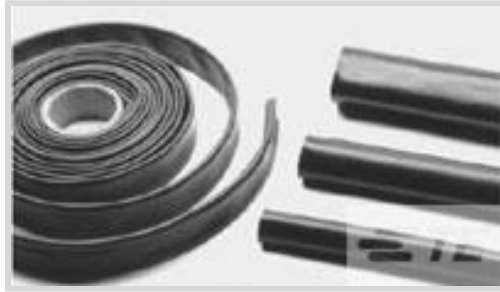
TE Internal #: CS8792-000

Raychem HF, Heat Shrink Tubing, Black, Single Wall Type, 10.1

Expanded Inside Diameter (Min) .4 Expanded Inside Diameter (Min)

[View on TE.com >](#)

Heat Shrink Tubing



Primary Product Color: **Black**

Wall Type: **Single**

Expanded Inside Diameter (Min): **10.1 mm [.4 in]**

Recovered Inside Diameter (Max): **3.8 mm [.15 in]**

Shrink Ratio: **3:1**

Features

Product Type Features

Product Family	HF
Wall Type	Single

Electrical Characteristics

Voltage (Max)	.6 kV
---------------	-------

Body Features

Fluid Type	Water
Primary Product Color	Black
Shrink Ratio	3:1
Primary Product Material	Irradiated Modified Polyolefin
Flexibility	Very Flexible

Dimensions

Cut Length	1220 mm[48.031 in]
Recovered Wall Thickness (Nominal)	1.8 mm[.07 in]
Expanded Inside Diameter (Min)	10.1 mm[.4 in]
Recovered Inside Diameter (Max)	3.8 mm[.15 in]
Heat Shrink Tubing Size Range	3.8 – 10.1 mm[.15 – .4 in]

Usage Conditions

Fluid Resistance	Immersion Protection, Splash Protection
------------------	---



Shrink Temperature (Min)	80 °C
Heat Shrink Tubing Flammability	Flame-Retardant
Operating Temperature Range	-55 – 90 °C
Heat Shrink Tubing Resistance	Abrasion, Fluids, Mechanical Damage, Strain
Recovery Temperature	121 °C

Product Availability

Applicable Region	Global
-------------------	--------

Packaging Features

Packaging Method	Box
------------------	-----

Other

Meets Low Outgassing Requirements	No
Product Source	Czech Republic

Product Compliance

[For compliance documentation, visit the product page on TE.com>](#)

EU RoHS Directive 2011/65/EU	Compliant
EU ELV Directive 2000/53/EC	Compliant
China RoHS 2 Directive MIIT Order No 32, 2016	No Restricted Materials Above Threshold
EU REACH Regulation (EC) No. 1907/2006	Current ECHA Candidate List: JAN 2021 (211) Candidate List Declared Against: JAN 2021 (211) Does not contain REACH SVHC
Halogen Content	Not Low Halogen - contains Br or Cl > 900 ppm.
Solder Process Capability	Not reviewed for solder process capability

Product Compliance Disclaimer

This information is provided based on reasonable inquiry of our suppliers and represents our current actual knowledge based on the information they provided. This information is subject to change. The part numbers that TE has identified as EU RoHS compliant have a maximum concentration of 0.1% by weight in homogenous materials for lead, hexavalent chromium, mercury, PBB, PBDE, DBP, BBP, DEHP, DIBP, and 0.01% for cadmium, or qualify for an exemption to these limits as defined in the Annexes of Directive 2011/65/EU (RoHS2). Finished electrical and electronic equipment products will be CE marked as required by Directive 2011/65/EU. Components may not be CE marked. Additionally, the part numbers that TE has identified as EU ELV compliant have a maximum concentration of 0.1% by weight in homogenous materials for lead, hexavalent chromium, and mercury, and 0.01% for cadmium, or qualify for an exemption to these limits as defined in the Annexes of Directive 2000/53/EC (ELV). Regarding the REACH Regulation, the information TE provides on SVHC in articles for this part number is based on the latest European Chemicals Agency (ECHA) 'Guidance on requirements for substances in articles' posted at this URL: <https://echa.europa.eu/guidance-documents/guidance-on-reach>

Compatible Parts

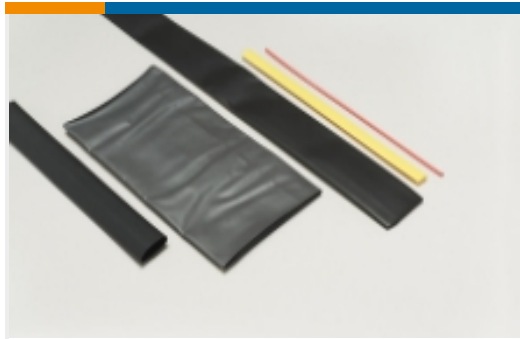


TE Part # CJ2087-000
HL2010E-KIT-120V



TE Part # EG1114-000
CV1981-ST-230V1600W-EU

Also in the Series | Raychem HF



Heat Shrink Tubing(17)

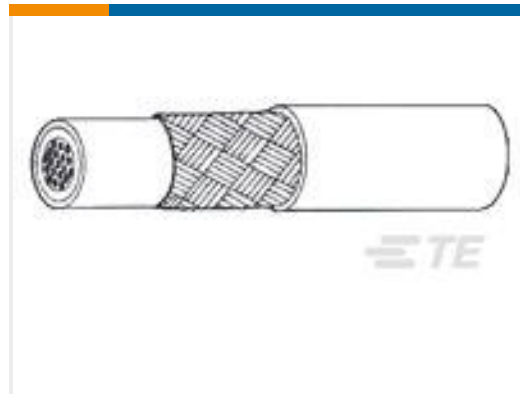
Customers Also Bought



TE Part #51864-6
PIDG RING TONGUE TERMINALS



TE Part #2-327956-1
PIDG RECTANGULAR TONGUE TERMINALS



TE Part #146439-000
44AM1111-22-9-9CS2275



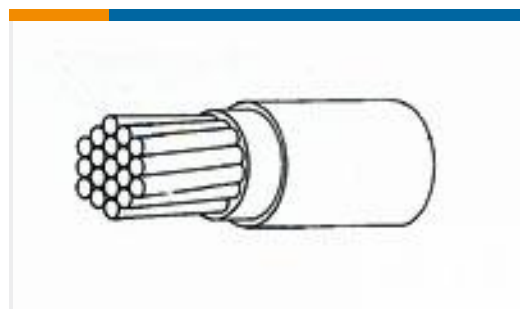
TE Part #391373-000
Heat Shrink Boots: Non Lipped, Right Angle



TE Part #YDTS26W25-04PAC001
D38999: Straight Plug, 25-04 Insert



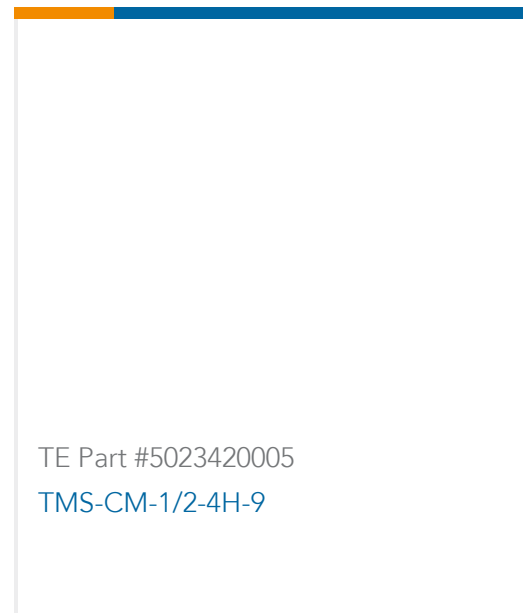
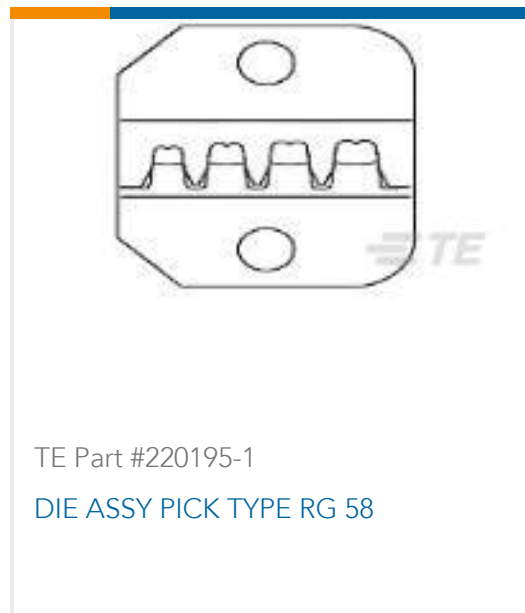
TE Part #1050783-1
2001 8008 92,SMA CABLE PLUG



TE Part #353273-000
22759/43-22-4



TE Part #227540-000
S02-10-R-4



Documents

Product Drawings

[HF-04FRX4/NM](#)

English

Datasheets & Catalog Pages

[HF Pages from 9-1773447-9](#)

English

[Application Tooling for Raychem Heat Shrink Product](#)

English

[Measuring_Single_Wall_Tubing](#)

English

[Selecting_Correct_Tubing](#)

English

Product Specifications

[Quality Specification](#)

English