



HLX

TE Internal #: EC7629-000

HLX, Printable Tags, Low Fire Hazard, Operating Temperature Range -40 – 105 °C [-40 – 221 °F], White

[View on TE.com >](#)

Identification & Labeling > Printable Tags > HLX LOW FIRE HAZARD MARKERS



Printable Tag Grade: **Low Fire Hazard**

Operating Temperature Range: **-40 – 105 °C [-40 – 221 °F]**

Primary Product Color: **White**

[All HLX LOW FIRE HAZARD MARKERS \(20\)](#)

Features

Product Type Features

Printable Tag Grade	Low Fire Hazard
---------------------	-----------------

Body Features

Primary Product Color	White
-----------------------	-------

Mechanical Attachment

Number of Tie-Wrap Holes	4
--------------------------	---

Dimensions

Tag Height	10.4 mm[.4 in]
------------	----------------

Tag Length	45 mm[1.8 in]
------------	---------------

Usage Conditions

Operating Temperature Range	-40 – 105 °C[-40 – 221 °F]
-----------------------------	----------------------------

Operation/Application

Recommended Ribbon	See TE Document 411-121005 the Printer Product Ribbon Matrix
--------------------	--

Printer/Label Features

Recommended Printer	See TE Document 411-121005 the Printer Product Ribbon Matrix
---------------------	--

Printer Technology	Thermal Transfer
--------------------	------------------

Packaging Features



Packaging Quantity	1000
--------------------	------

Product Compliance

[For compliance documentation, visit the product page on TE.com>](#)

EU RoHS Directive 2011/65/EU	Compliant
EU ELV Directive 2000/53/EC	Compliant
China RoHS 2 Directive MIIT Order No 32, 2016	No Restricted Materials Above Threshold
EU REACH Regulation (EC) No. 1907/2006	Current ECHA Candidate List: JAN 2021 (211) Candidate List Declared Against: JAN 2021 (211) Does not contain REACH SVHC
Halogen Content	Low Halogen - Br, Cl, F, I < 900 ppm per homogenous material. Also BFR/CFR/PVC Free
Solder Process Capability	Not applicable for solder process capability

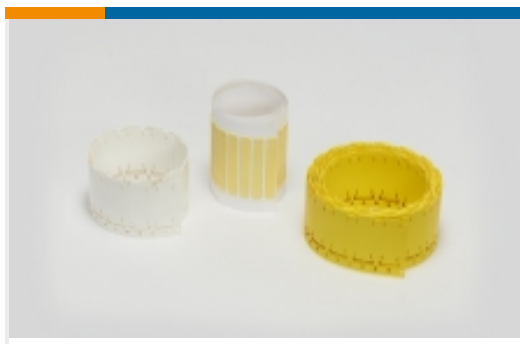
Product Compliance Disclaimer

This information is provided based on reasonable inquiry of our suppliers and represents our current actual knowledge based on the information they provided. This information is subject to change. The part numbers that TE has identified as EU RoHS compliant have a maximum concentration of 0.1% by weight in homogenous materials for lead, hexavalent chromium, mercury, PBB, PBDE, DBP, BBP, DEHP, DIBP, and 0.01% for cadmium, or qualify for an exemption to these limits as defined in the Annexes of Directive 2011/65/EU (RoHS2). Finished electrical and electronic equipment products will be CE marked as required by Directive 2011/65/EU. Components may not be CE marked. Additionally, the part numbers that TE has identified as EU ELV compliant have a maximum concentration of 0.1% by weight in homogenous materials for lead, hexavalent chromium, and mercury, and 0.01% for cadmium, or qualify for an exemption to these limits as defined in the Annexes of Directive 2000/53/EC (ELV). Regarding the REACH Regulation, the information TE provides on SVHC in articles for this part number is based on the latest European Chemicals Agency (ECHA) 'Guidance on requirements for substances in articles' posted at this URL: <https://echa.europa.eu/guidance-documents/guidance-on-reach>

Compatible Parts

 <p>TE Part # 1-2186500-1 T3212-PRINTER</p>	 <p>TE Part # 1-2186502-1 T3224-PRINTER</p>	 <p>TE Part # 1-2186503-1 T3224-SWARE-PRINTER</p>	 <p>TE Part # 1-2186501-1 T3212-SWARE-PRINTER</p>
--	---	--	--

Also in the Series | **HLX**

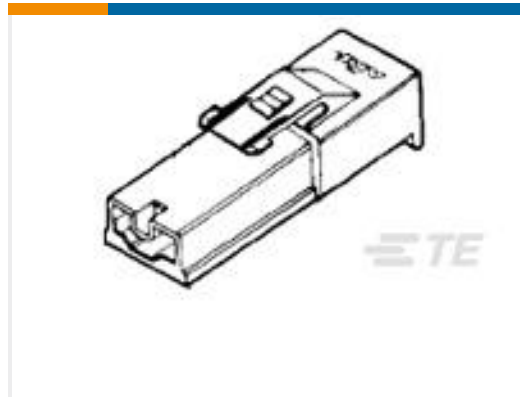


Printable Tags(19)

Customers Also Bought



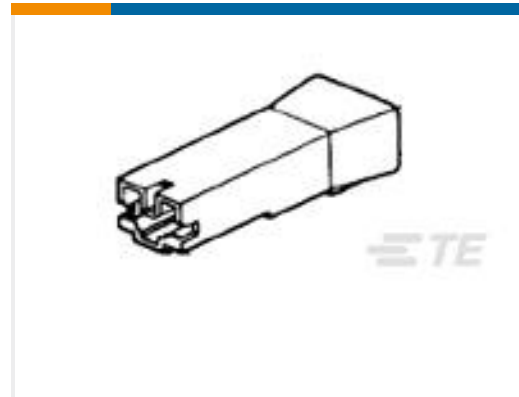
TE Part #2-1768044-1
STD SNAP-ON MARKERS



TE Part #179183-6
POSITIVE LOCK 187 (4.8 MM)
HOUSING



TE Part #170051-2
FF 250 TAB 20-14AWG TPBR LP



TE Part #177627-7
PL .250 (6.3 MM) HOUSING
RECEPTACLE



TE Part #3-178498-1
UP 7.92 3P TAB HDR NATL TYPE 1



TE Part #1803188-4
CRIMPER, WIRE F



TE Part #1803645-1
ANVIL, COMBINATION



TE Part #2-171826-4
H-TYPE E.I.S.CONN. 4P ASSY



TE Part #2-2151405-1
OCEAN_2.0_Applicator-S-090F1550



TE Part #NB14164001
VERSAFIT-1/2-2-SP

Documents

[Product Drawings](#)
[HLX104WE1TS025B](#)

English

[Datasheets & Catalog Pages](#)
[HLX Cable Markers](#)

English

[IDENTIFICATION SELECTION GUIDE](#)

English



Product Specifications

CABLE MARKER INSTALLATION GUIDE

English

Specification for HLX LFH Cable Marker

English