



Raychem | ZHD-SCE

TE Internal #: EC9840-000

Printable Tubing, Ladder Printable Tubing Type, Low Fire Hazard

Printable Tubing Grade, 2:1 Printable Tubing Shrink Ratio, Yellow

[View on TE.com >](#)

Identification & Labeling > Printable Tubing > ZHD-SCE LFH & FLUID RESISTANT SLEEVES



Printable Tubing Type: **Ladder**

Printable Tubing Grade: **Low Fire Hazard**

Printable Tubing Shrink Ratio: **2:1**

Primary Product Color: **Yellow**

Markers per Sleeve: **1**

[All ZHD-SCE LFH & FLUID RESISTANT SLEEVES \(88\)](#)

Features

Product Type Features

| | |
|------------------------|-----------------|
| Printable Tubing Type | Ladder |
| Printable Tubing Grade | Low Fire Hazard |

Body Features

| | |
|-------------------------------|--------|
| Printable Tubing Shrink Ratio | 2:1 |
| Primary Product Color | Yellow |
| Markers per Sleeve | 1 |

Dimensions

| | |
|---------------------------------|---------------------------------|
| Product Length | 50 mm[2 in] |
| Supplied Inner Diameter | 12.7 mm[.5 in] |
| Recovered Inside Diameter | 6.35 mm[.25 in] |
| Compatible Cable Diameter Range | 6.99 – 10.79 mm[.275 – .425 in] |

Usage Conditions

| | |
|-----------------------------|----------------------------|
| Operating Temperature Range | -55 – 125 °C[-67 – 257 °F] |
|-----------------------------|----------------------------|

Operation/Application

| | |
|--------------------|--|
| Recommended Ribbon | See TE Document 411-121005 the Printer Product Ribbon Matrix |
|--------------------|--|



Printer/Label Features

| | |
|---------------------|--|
| Recommended Printer | See TE Document 411-121005 the Printer Product Ribbon Matrix |
| Printer Technology | Thermal Transfer |

Packaging Features

| | |
|--------------------|-----|
| Packaging Quantity | 250 |
|--------------------|-----|

Product Compliance

[For compliance documentation, visit the product page on TE.com>](#)

| | |
|---|---|
| EU RoHS Directive 2011/65/EU | Compliant |
| EU ELV Directive 2000/53/EC | Compliant |
| China RoHS 2 Directive MIIT Order No 32, 2016 | No Restricted Materials Above Threshold |
| EU REACH Regulation (EC) No. 1907/2006 | Current ECHA Candidate List: JAN 2021 (211) Candidate List Declared Against: JAN 2021 (211) Does not contain REACH SVHC |
| Halogen Content | Low Halogen - Br, Cl, F, I < 900 ppm per homogenous material. Also BFR/CFR/PVC Free |
| Solder Process Capability | Not applicable for solder process capability |

Product Compliance Disclaimer

This information is provided based on reasonable inquiry of our suppliers and represents our current actual knowledge based on the information they provided. This information is subject to change. The part numbers that TE has identified as EU RoHS compliant have a maximum concentration of 0.1% by weight in homogenous materials for lead, hexavalent chromium, mercury, PBB, PBDE, DBP, BBP, DEHP, DIBP, and 0.01% for cadmium, or qualify for an exemption to these limits as defined in the Annexes of Directive 2011/65/EU (RoHS2). Finished electrical and electronic equipment products will be CE marked as required by Directive 2011/65/EU. Components may not be CE marked. Additionally, the part numbers that TE has identified as EU ELV compliant have a maximum concentration of 0.1% by weight in homogenous materials for lead, hexavalent chromium, and mercury, and 0.01% for cadmium, or qualify for an exemption to these limits as defined in the Annexes of Directive 2000/53/EC (ELV). Regarding the REACH Regulation, the information TE provides on SVHC in articles for this part number is based on the latest European Chemicals Agency (ECHA) 'Guidance on requirements for substances in articles' posted at this URL: <https://echa.europa.eu/guidance-documents/guidance-on-reach>

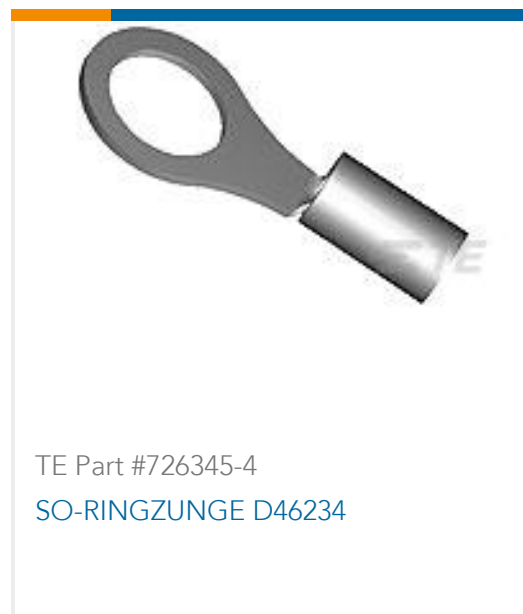
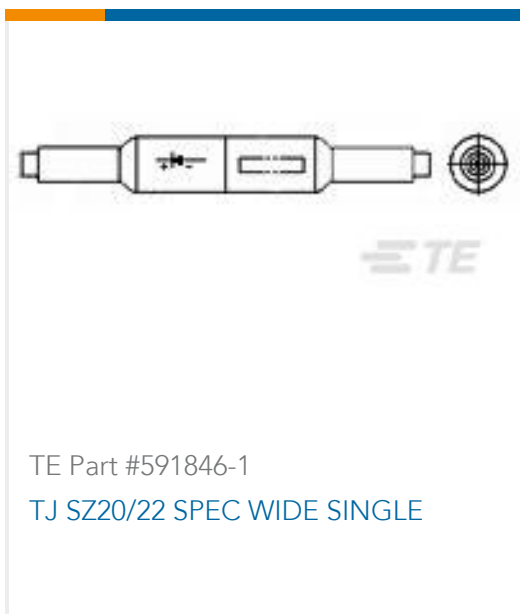
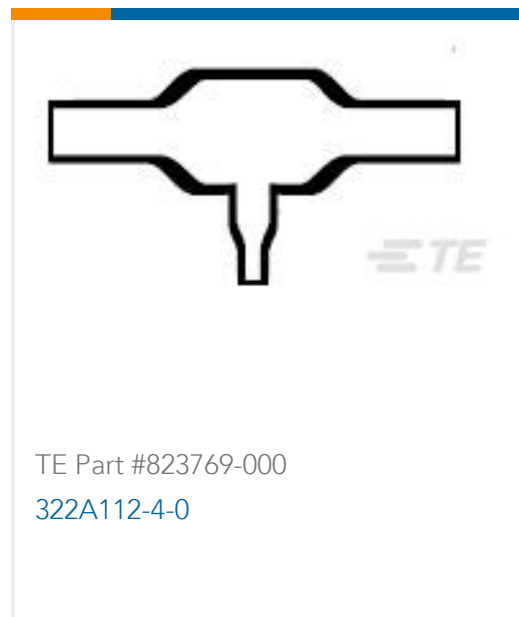
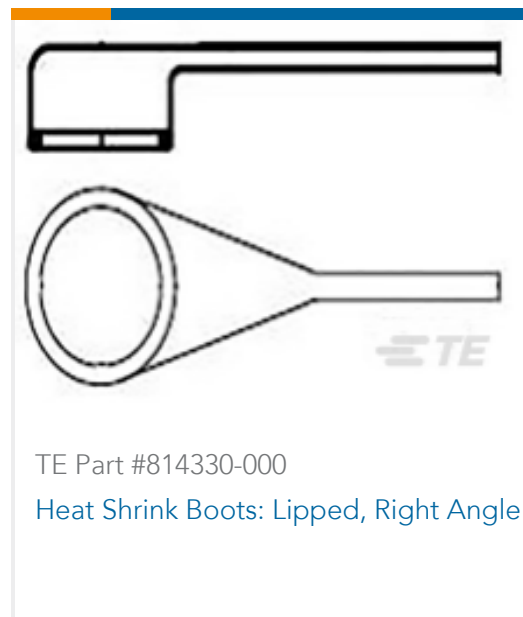
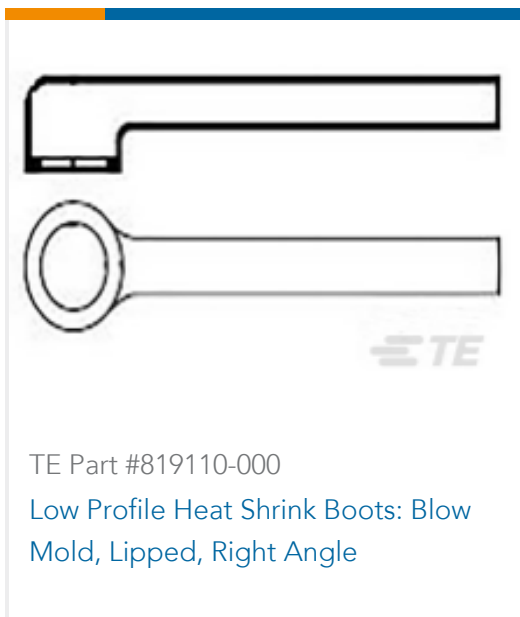
Compatible Parts



Also in the Series | ZHD-SCE



Customers Also Bought





Documents

Product Drawings

ZHD-SCE-12.7-50-4

English

Datasheets & Catalog Pages

TTDS for ZHD-SCE, LOW FIRE HAZARD, DIESEL RESISTANT

English

Product Specifications

Product Specification

English