



MEAS | MEAS M5200

TE Internal #: M5254-000005-01KPG

TE Internal Description: PRESS XDCR M5254-000005-01KPG

Pressure Transducers Readily Available

[View on TE.com >](#)

Sensors > Pressure Sensors > Pressure Transducers > Pressure Transducers Readily Available



Pressure Transducer Sensor Type: **Industrial Pressure Transducers**

Pressure: [1000 psi]

Output/Span: 4 – 20 mA

Pressure Type: **Gage**

Pressure Accuracy: ±0.25% FSO

[All Pressure Transducers Readily Available \(168\)](#)

Features

Product Type Features

| | |
|---------------------------------|---------------------------------|
| Pressure Transducer Sensor Type | Industrial Pressure Transducers |
| Pressure Type | Gage |

Configuration Features

| | |
|-----------------------|----------|
| Electrical Connection | Packard |
| Pressure Port/Fitting | 1/4 MNPT |

Electrical Characteristics

| | |
|------------------------------------|----------|
| Pressure Transducer Supply Voltage | 9 – 30 V |
|------------------------------------|----------|

Body Features

| | |
|---------------|--------|
| Port Material | 17-4PH |
|---------------|--------|

Dimensions

| | |
|------------|---------------------------------------|
| Dimensions | 24 x 24 x 82 mm [.94 x .94 x 3.23 in] |
|------------|---------------------------------------|

Usage Conditions

| | |
|-----------------------------|--|
| Operating Temperature Range | -40 – 125 °C, -40 – 125 °C [-40 – 257 °F] [-40 – 257 °F] |
|-----------------------------|--|

Operation/Application

| | |
|----------------------|----------|
| Proof Pressure Range | 2X Rated |
|----------------------|----------|



| | |
|-------------------|------------|
| | 1000 psi |
| Output/Span | 4 – 20 mA |
| Pressure Accuracy | ±0.25% FSO |

Other

| | |
|---------|----------------------------|
| Options | Adhesive Label, No Snubber |
|---------|----------------------------|

Product Compliance

[For compliance documentation, visit the product page on TE.com>](#)

| | |
|---|--|
| EU RoHS Directive 2011/65/EU | Compliant with Exemptions |
| EU ELV Directive 2000/53/EC | Not Yet Reviewed |
| China RoHS 2 Directive MIIT Order No 32, 2016 | Restricted Materials Above Threshold |
| EU REACH Regulation (EC) No. 1907/2006 | Current ECHA Candidate List: JAN 2021 (211) Candidate List Declared Against: JUN 2020 (209) SVHC > Threshold: Dodecamethylcyclohexasiloxane (D6) (.85% in 736 RED GLUE) Article Safe Usage Statements: Wash thoroughly after handling. Recycle if possible and dispose of the article by following all applicable governmental regulations relevant to your geographic location. |
| Halogen Content | Not Yet Reviewed for halogen content |
| Solder Process Capability | Not reviewed for solder process capability |

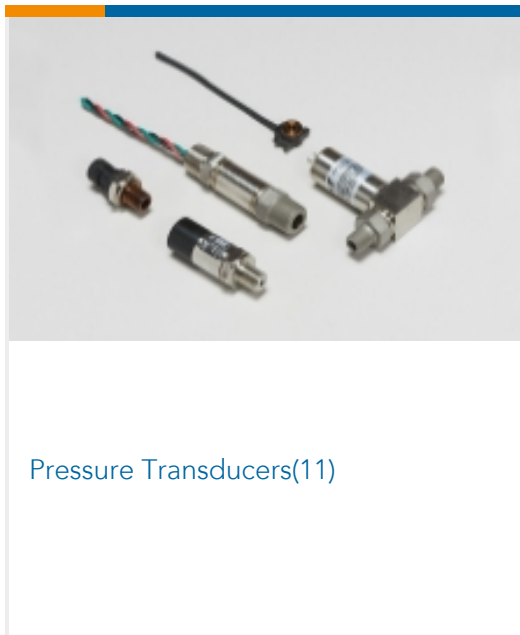
Product Compliance Disclaimer

This information is provided based on reasonable inquiry of our suppliers and represents our current actual knowledge based on the information they provided. This information is subject to change. The part numbers that TE has identified as EU RoHS compliant have a maximum concentration of 0.1% by weight in homogenous materials for lead, hexavalent chromium, mercury, PBB, PBDE, DBP, BBP, DEHP, DIBP, and 0.01% for cadmium, or qualify for an exemption to these limits as defined in the Annexes of Directive 2011/65/EU (RoHS2). Finished electrical and electronic equipment products will be CE marked as required by Directive 2011/65/EU. Components may not be CE marked. Additionally, the part numbers that TE has identified as EU ELV compliant have a maximum concentration of 0.1% by weight in homogenous materials for lead, hexavalent chromium, and mercury, and 0.01% for cadmium, or qualify for an exemption to these limits as defined in the Annexes of Directive 2000/53/EC (ELV). Regarding the REACH Regulation, the information TE provides on SVHC in articles for this part number is based on the latest European Chemicals Agency (ECHA) 'Guidance on requirements for substances in articles' posted at this URL: <https://echa.europa.eu/guidance-documents/guidance-on-reach>

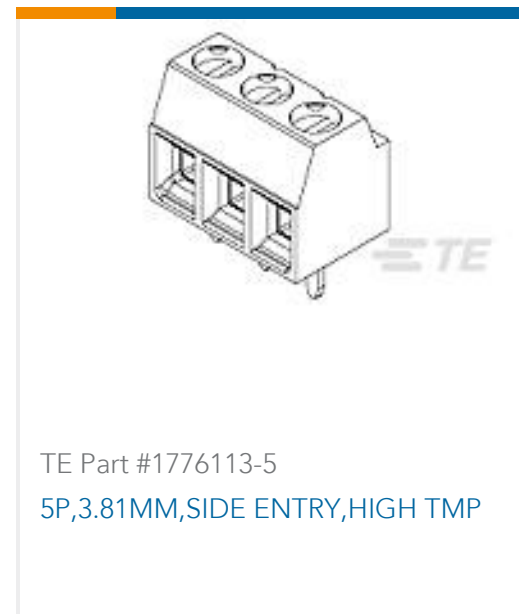
Compatible Parts



Also in the Series | MEAS M5200



Customers Also Bought





Documents

CAD Files

3D PDF

3D

Customer View Model

[ENG_CVM_CVM_M5254-000005-01KPG_K.2d_dxf.zip](#)

English

Customer View Model

[ENG_CVM_CVM_M5254-000005-01KPG_K.3d_igs.zip](#)

English

Customer View Model

[ENG_CVM_CVM_M5254-000005-01KPG_K.3d_stp.zip](#)

English

By downloading the CAD file I accept and agree to the [Terms and Conditions](#) of use.

Datasheets & Catalog Pages

M5200

English