



TE Internal #: NB13264001

Heat Shrink Tubing, Black, Single Wall Type, 19.1 Expanded Inside Diameter (Min) .75 Expanded Inside Diameter (Min)

[View on TE.com >](#)

Heat Shrink Tubing



Primary Product Color: **Black**

Wall Type: **Single**

Expanded Inside Diameter (Min): **19.1 mm [ .75 in ]**

Recovered Inside Diameter (Max): **9.5 mm [ .375 in ]**

Shrink Ratio: **2:1**

**Features**

**Product Type Features**

Product Family	RNF-100
Wall Type	Single

**Electrical Characteristics**

Voltage (Max)	.6 kV
---------------	-------

**Body Features**

Fluid Type	Aviation Fuel, Hydraulic Fluid, Lubricating Oil, Water
Primary Product Color	Black
Shrink Ratio	2:1
Primary Product Material	Irradiated Modified Polyolefin
Flexibility	Flexible

**Dimensions**

Recovered Wall Thickness (Nominal)	.76 mm[.03 in]
Expanded Inside Diameter (Min)	19.1 mm[.75 in]
Recovered Inside Diameter (Max)	9.5 mm[.375 in]

Heat Shrink Tubing Size Range	9.5 – 19.1 mm [.375 – .75 in]
-------------------------------	-------------------------------

### Usage Conditions

Fluid Resistance	Splash Protection
Shrink Temperature (Min)	95 °C
Heat Shrink Tubing Flammability	Flame-Retardant
Operating Temperature Range	-55 – 135 °C
Heat Shrink Tubing Resistance	Abrasion, Fluids, Mechanical Damage, Strain
Recovery Temperature	121 °C

### Product Availability

Applicable Region	Global
-------------------	--------

### Packaging Features

Packaging Method	Reel
------------------	------

### Other

Meets Low Outgassing Requirements	No
Product Source	Czech Republic

### Product Compliance

[For compliance documentation, visit the product page on TE.com>](#)

EU RoHS Directive 2011/65/EU	Compliant
EU ELV Directive 2000/53/EC	Compliant
China RoHS 2 Directive MIIT Order No 32, 2016	No Restricted Materials Above Threshold
EU REACH Regulation (EC) No. 1907/2006	Current ECHA Candidate List: JAN 2021 (211) Candidate List Declared Against: JAN 2021 (211) Does not contain REACH SVHC
Halogen Content	Not Low Halogen - contains Br or Cl > 900 ppm.
Solder Process Capability	Not applicable for solder process capability

#### Product Compliance Disclaimer

This information is provided based on reasonable inquiry of our suppliers and represents our current actual knowledge based on the information they provided. This information is subject to change. The part numbers that TE has identified as EU RoHS compliant have a maximum concentration of 0.1% by weight in homogenous materials for lead, hexavalent chromium, mercury, PBB, PBDE, DBP, BBP, DEHP, DIBP, and 0.01% for cadmium, or qualify for an exemption to these limits as defined in the Annexes of Directive 2011/65/EU (RoHS2). Finished electrical and electronic equipment products will be CE marked as required by Directive 2011/65/EU. Components may not be CE marked. Additionally, the part

numbers that TE has identified as EU ELV compliant have a maximum concentration of 0.1% by weight in homogenous materials for lead, hexavalent chromium, and mercury, and 0.01% for cadmium, or qualify for an exemption to these limits as defined in the Annexes of Directive 2000/53/EC (ELV). Regarding the REACH Regulation, the information TE provides on SVHC in articles for this part number is based on the latest European Chemicals Agency (ECHA) 'Guidance on requirements for substances in articles' posted at this URL: <https://echa.europa.eu/guidance-documents/guidance-on-reach>

## Compatible Parts

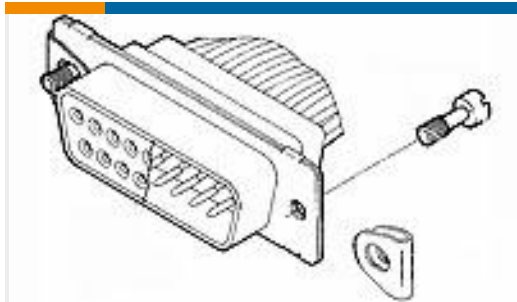


TE Part # CJ2087-000  
HL2010E-KIT-120V



TE Part # EG1114-000  
CV1981-ST-230V1600W-EU

## Customers Also Bought



TE Part #211883-5  
SCREW RETAINER KIT,AMPLIMITE



TE Part #292801-000  
RNF-100-1-BK-FSP



TE Part #3-1447221-5  
SUPERSEAL 1.0 CONTACTS



TE Part #YDTS26W15-19SNV001  
D38999: Straight Plug, 15-19 Insert



TE Part #277162-1  
COPALUM Sealed: Butt Splices



TE Part #207896-1  
CONTACT SOC. ASSY.



TE Part #318107-006  
55A8081-18-9



TE Part #2-520181-2  
ULTRA-FAST 187 ASY REC 22-18 AWG TPBR



TE Part #206247P030  
SCT-NO.4-E2-0-50MM



TE Part #184270-1  
3 POS. PLUG ASSY W/CPA, KEY A

## Documents

[Datasheets & Catalog Pages](#)



[RNF-100 Pages from 9-1773447-9](#)

English

---

[Product Specifications](#)

[Quality Specification](#)

English