



TE Internal #: NB14032001

Heat Shrink Tubing, Black, Dual Wall Type, 4.8 Expanded Inside Diameter (Min) .187 Expanded Inside Diameter (Min)

[View on TE.com >](#)

Heat Shrink Tubing



Primary Product Color: **Black**

Wall Type: **Dual**

Expanded Inside Diameter (Min): **4.8 mm [ .187 in ]**

Recovered Inside Diameter (Max): **2.4 mm [ .093 in ]**

Shrink Ratio: **2:1**

**Features**

**Product Type Features**

Product Family	TAT-125
Wall Type	Dual

**Body Features**

Fluid Type	Aviation Fuel, Brake Fluid, Chemicals /Solvents, Hydraulic Fluid, Lubricating Oil, Water
Primary Product Color	Black
Shrink Ratio	2:1
Primary Product Material	Irradiated Modified Polyolefin
Flexibility	Flexible

**Dimensions**

Cut Length	1220 mm[48.031 in]
Recovered Wall Thickness (Nominal)	.96 mm[.038 in]
Expanded Inside Diameter (Min)	4.8 mm[.187 in]
Recovered Inside Diameter (Max)	2.4 mm[.093 in]
Heat Shrink Tubing Size Range	2.4 – 4.8 mm[.093 – .187 in]



### Usage Conditions

Fluid Resistance	Moisture/Splash Protection/Spray Protection
Shrink Temperature (Min)	95 °C
Heat Shrink Tubing Flammability	Flame-Retardant
Operating Temperature Range	-55 – 110 °C
Heat Shrink Tubing Resistance	Cut-Through, Flexing, Fluids, Mechanical Damage
Recovery Temperature	121 °C

### Product Availability

Applicable Region	Global
-------------------	--------

### Packaging Features

Packaging Method	Bag/Box
------------------	---------

### Other

Meets Low Outgassing Requirements	No
Product Source	Czech Republic

### Product Compliance

[For compliance documentation, visit the product page on TE.com>](#)

EU RoHS Directive 2011/65/EU	Compliant
EU ELV Directive 2000/53/EC	Compliant
China RoHS 2 Directive MIIT Order No 32, 2016	No Restricted Materials Above Threshold
EU REACH Regulation (EC) No. 1907/2006	Current ECHA Candidate List: JAN 2021 (211) Candidate List Declared Against: JAN 2021 (211) Does not contain REACH SVHC
Halogen Content	Not Low Halogen - contains Br or Cl > 900 ppm.
Solder Process Capability	Not applicable for solder process capability

#### Product Compliance Disclaimer

This information is provided based on reasonable inquiry of our suppliers and represents our current actual knowledge based on the information they provided. This information is subject to change. The part numbers that TE has identified as EU RoHS compliant have a maximum concentration of 0.1% by weight in homogenous materials for lead, hexavalent chromium, mercury, PBB, PBDE, DBP, BBP, DEHP, DIBP, and 0.01% for cadmium, or qualify for an exemption to these limits as defined in the Annexes of Directive 2011/65/EU (RoHS2). Finished electrical and electronic equipment products will be CE marked as required by Directive 2011/65/EU. Components may not be CE marked. Additionally, the part numbers that TE has identified as EU ELV compliant have a maximum concentration of 0.1% by weight in homogenous

materials for lead, hexavalent chromium, and mercury, and 0.01% for cadmium, or qualify for an exemption to these limits as defined in the Annexes of Directive 2000/53/EC (ELV). Regarding the REACH Regulation, the information TE provides on SVHC in articles for this part number is based on the latest European Chemicals Agency (ECHA) 'Guidance on requirements for substances in articles' posted at this URL: <https://echa.europa.eu/guidance-documents/guidance-on-reach>

## Compatible Parts



TE Part # CJ2087-000  
HL2010E-KIT-120V

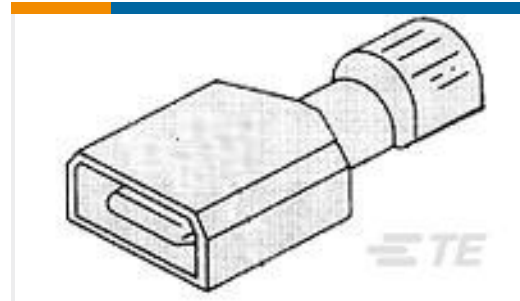


TE Part # EG1114-000  
CV1981-ST-230V1600W-EU

## Customers Also Bought



TE Part #2102353-1  
CeeLok FAS-T, Plug Kit, Ni



TE Part #2-521102-2  
ULTRA-FAST 187 ASY Tab 22-18 TPBR



TE Part #2-747579-7  
SHLDING FERRULE,PLTD TIN,BULK



TE Part #2-32589-1  
PIDG SPADE TONGUE TERMINALS



TE Part #YACT26JG35PNV00100  
Straight Plug D38999, G35 Insert



TE Part #2-683454-5  
CRIMPER, INSULATION "O"(.048")



TE Part #42742-1  
FASTON 250 FLAG REC 18-12 AWG BR



TE Part #462547-1  
FLOATING SHEAR



TE Part #2-747580-1  
SHLDING FERRULE,PLTD TIN,BULK



TE Part #2-6609075-1  
CORCOM DA SERIES DC FILTERS

## Documents

[Datasheets & Catalog Pages](#)

[TAT Pages from 9-1773447-9](#)



English

---

[Product Specifications](#)

[Quality Specification](#)

English