



ARINC 801

TE Internal #: YMC8016-F-13-04ZN0

ARINC 801, MC801 Fiber Connectors, 13 MC801 Fiber Connector Shell Size, 4 Position, Aluminum, Nickel MC801 Fiber Connector Finish

[View on TE.com >](#)

Fiber Optics > Fiber Optic Connectors > Rugged Fiber Connectors > MC801 Fiber Connectors



MC801 Fiber Connector Shell Size: **13**

Number of MC801 Fiber Connector Positions: **4**

MC801 Fiber Connector Shell Material: **Aluminum**

MC801 Fiber Connector Finish: **Nickel**

Features

Configuration Features

Number of MC801 Fiber Connector Positions	4
---	---

Housing Features

MC801 Fiber Connector Shell Size	13
MC801 Fiber Connector Shell Material	Aluminum
MC801 Fiber Connector Finish	Nickel

Other

Terminus Body Material	Nickel-Plated Copper
Alignment Dowel Pin Material	Stainless Steel
Spring Material	Stainless Steel

Product Compliance

[For compliance documentation, visit the product page on TE.com>](#)

EU RoHS Directive 2011/65/EU	Not Compliant
EU ELV Directive 2000/53/EC	Not Yet Reviewed
China RoHS 2 Directive MIIT Order No 32, 2016	Restricted Materials Above Threshold
EU REACH Regulation (EC) No. 1907/2006	Current ECHA Candidate List: JAN 2021 (211) Candidate List Declared Against: JAN 2021 (211) Does not contain REACH SVHC

Halogen Content

Not Yet Reviewed for halogen content

Solder Process Capability

Reflow solder capable to 245°C

Product Compliance Disclaimer

This information is provided based on reasonable inquiry of our suppliers and represents our current actual knowledge based on the information they provided. This information is subject to change. The part numbers that TE has identified as EU RoHS compliant have a maximum concentration of 0.1% by weight in homogenous materials for lead, hexavalent chromium, mercury, PBB, PBDE, DBP, BBP, DEHP, DIBP, and 0.01% for cadmium, or qualify for an exemption to these limits as defined in the Annexes of Directive 2011/65/EU (RoHS2). Finished electrical and electronic equipment products will be CE marked as required by Directive 2011/65/EU. Components may not be CE marked. Additionally, the part numbers that TE has identified as EU ELV compliant have a maximum concentration of 0.1% by weight in homogenous materials for lead, hexavalent chromium, and mercury, and 0.01% for cadmium, or qualify for an exemption to these limits as defined in the Annexes of Directive 2000/53/EC (ELV). Regarding the REACH Regulation, the information TE provides on SVHC in articles for this part number is based on the latest European Chemicals Agency (ECHA) 'Guidance on requirements for substances in articles' posted at this URL: <https://echa.europa.eu/guidance-documents/guidance-on-reach>

Compatible Parts



TE Part # YMC8010-F-13-04PN0
ARINC 801, 38999 STYLE, SIZE 13-04



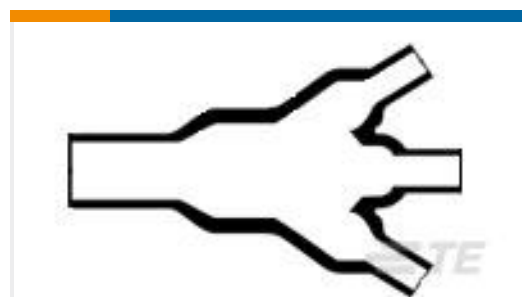
TE Part # YMC8017-F-13-04PN0
ARINC 801, TYPE 1 JAM NUT CONNECTOR

Also in the Series | ARINC 801

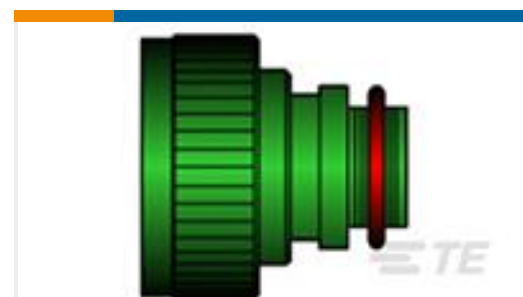


MC801 Fiber Connectors(131)

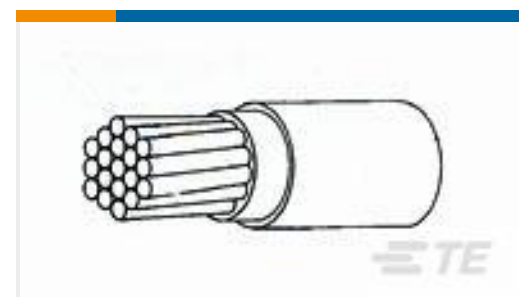
Customers Also Bought



TE Part #594623-000
462A034-100-0



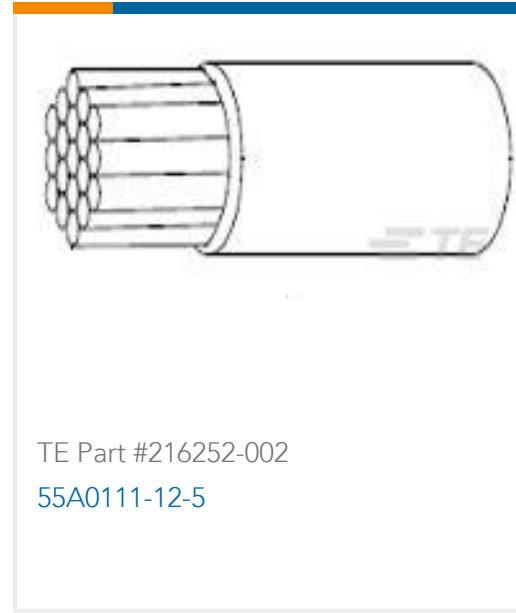
TE Part #552459-000
TXR54AB00-1007AI



TE Part #265101-000
44A0811-8-2



TE Part #972970-000
55A1131-12-0/2/9-9



Documents

Product Drawings

ARINC 801, 38999 STYLE, SIZE 13-04, POF

English

Datasheets & Catalog Pages

MC801 Fiber Optics

English