

1981287-4 x OBSOLETE

DDR2 SO DIMM, Raychem RVS

TE Internal #: 1981287-4

TE Internal Description: SEMI-HARD TRAY DDR2 SODIMM 9.2H

RVS AMC

DDR2 SO DIMM Sockets

[View on TE.com >](#)



[All DDR2 SO DIMM Sockets \(30\)](#)

Product Compliance

[For compliance documentation, visit the product page on TE.com>](#)

EU RoHS Directive 2011/65/EU	Compliant
EU ELV Directive 2000/53/EC	Compliant
China RoHS 2 Directive MIIT Order No 32, 2016	No Restricted Materials Above Threshold
EU REACH Regulation (EC) No. 1907/2006	Current ECHA Candidate List: JAN 2021 (211) Candidate List Declared Against: JUN 2020 (209) SVHC > Threshold: Not Yet Reviewed
Halogen Content	Low Halogen - Br, Cl, F, I < 900 ppm per homogenous material. Also BFR/CFR/PVC Free
Solder Process Capability	Reflow solder capable to 260°C

Product Compliance Disclaimer

This information is provided based on reasonable inquiry of our suppliers and represents our current actual knowledge based on the information they provided. This information is subject to change. The part numbers that TE has identified as EU RoHS compliant have a maximum concentration of 0.1% by weight in homogenous materials for lead, hexavalent chromium, mercury, PBB, PBDE, DBP, BBP, DEHP, DIBP, and 0.01% for cadmium, or qualify for an exemption to these limits as defined in the Annexes of Directive 2011/65/EU (RoHS2). Finished electrical and electronic equipment products will be CE marked as required by Directive 2011/65/EU. Components may not be CE marked. Additionally, the part numbers that TE has identified as EU ELV compliant have a maximum concentration of 0.1% by weight in homogenous materials for lead, hexavalent chromium, and mercury, and 0.01% for cadmium, or qualify for an exemption to these limits as defined in the Annexes of Directive 2000/53/EC (ELV). Regarding the REACH Regulation, the information TE provides on SVHC in articles for this part number is based on the latest European Chemicals Agency (ECHA) 'Guidance on requirements for substances in articles' posted at this URL: <https://echa.europa.eu/guidance-documents/guidance-on-reach>

Also in the Series | [DDR2 SO DIMM](#)



SO DIMM Sockets(24)

Also in the Series | Raychem RVS



Joints & Splices(4)



RJ45 Connectors(1)



SD Card Connectors(2)



SO DIMM Sockets(13)

Customers Also Bought



TE Part #1-5746443-1
AMP-LATCH UNIVERSAL HEADERS



TE Part #1445297-4
REC.R/A SMT,12 POS



TE Part #1-532956-8
120 MODII 2PC CE RCPT ASSY



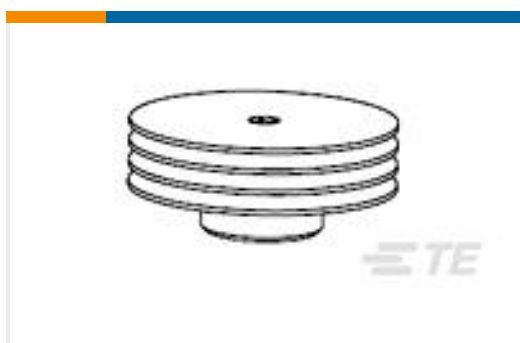
TE Part #1-1744524-0
EP 10P HEADER ASY NO 8 PIN



TE Part #1-2170704-0
CAGE ASSY, QSFP28 1X1, SPRING, HS



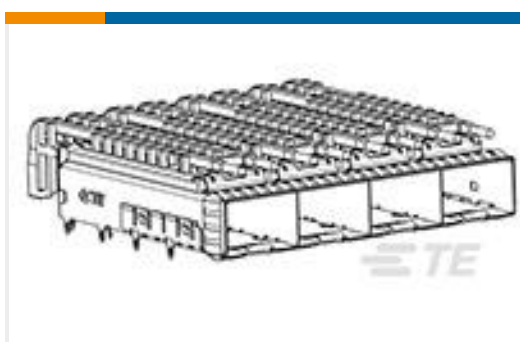
TE Part #2-1542006-1
HTS512-U=HS 32.5 ASSY ULTEM CL



TE Part #2-1542006-3
HTS186-U=HS 21MM ASSY ULTEM CL



TE Part #2143329-1
1x6 QSFP Cage Assy Behind Bzl



TE Part #2149745-1
SFP+ 1x4 Cage Assy, Extended Heatsink



TE Part #5338048-4
4P. DIP SWITCH WITH ACTION PIN POSTS



Documents

CAD Files

3D PDF

English

Customer View Model

[ENG_CVM_1981287-4_B.3d_igs.zip](#)

English

Customer View Model

[ENG_CVM_1981287-4_B.3d_stp.zip](#)

English

Customer View Model

[ENG_CVM_1981287-4_B.2d_dxf.zip](#)

English

By downloading the CAD file I accept and agree to the [Terms and Conditions](#) of use.

Datasheets & Catalog Pages

[Solutions for AdvancedTCA, AdvancedTCA 300, MicroTCA, and AdvancedMC Standards Datasheet 3-1773445-8](#)

English

Product Specifications

[Product Specification](#)

English

Product Environmental Compliance

[TE Material Declaration](#)

English