



TE Internal #: 2288219-3
 CFP/CFP2/CFP4, Accessory, Side-to-Side Air Flow, Heat Sink
 Height 9.55 mm [.38 in], Data Rate (Max) 25 Gb/s, Operating
 Temperature Range -55 – 85 °C

[View on TE.com >](#)

Connectors > Pluggable IO Connectors & Cages > CFP/CFP2/CFP4



Pluggable I/O Product Type: **Accessory**

Thermal Accessory Type Included: **Heat Sink**

Heat Sink Style: **Side-to-Side Air Flow**

Heat Sink Height: **9.55 mm [.38 in]**

Data Rate (Max): **25 Gb/s**

Features

Product Type Features

Form Factor	CFP2
Pluggable I/O Accessory Type	Heat Sink
Cage Type	CFP2
Product Line	CFP
Pluggable I/O Product Type	Accessory
Thermal Accessory Type Included	Heat Sink
Sealable	No

Configuration Features

Number of Fins	23
----------------	----

Electrical Characteristics

Data Rate (Max)	25 Gb/s
-----------------	---------

Body Features

Plating Material	Nickel
Heat Sink Finish	Anodized



Material	Aluminum Alloy
Heat Sink Style	Side-to-Side Air Flow
Heat Sink Height	9.55 mm [.38 in]

Dimensions

Width	39.8 mm
PCB Thickness (Recommended)	3 mm
Length	77 mm

Usage Conditions

Operating Temperature Range	-55 – 85 °C
-----------------------------	-------------

Operation/Application

Heat Sink Compatible	Yes
For Use With Pluggable I/O Products	CFP Assembly

Packaging Features

Packaging Method	Tray
------------------	------

Product Compliance

[For compliance documentation, visit the product page on TE.com>](#)

EU RoHS Directive 2011/65/EU	Compliant
EU ELV Directive 2000/53/EC	Compliant
China RoHS 2 Directive MIIT Order No 32, 2016	No Restricted Materials Above Threshold
EU REACH Regulation (EC) No. 1907/2006	Current ECHA Candidate List: JAN 2021 (211) Candidate List Declared Against: JAN 2021 (211) Does not contain REACH SVHC
Halogen Content	Low Halogen - Br, Cl, F, I < 900 ppm per homogenous material. Also BFR/CFR/PVC Free
Solder Process Capability	Not reviewed for solder process capability

Product Compliance Disclaimer

This information is provided based on reasonable inquiry of our suppliers and represents our current actual knowledge based on the information they provided. This information is subject to change. The part numbers that TE has identified as EU RoHS compliant have a maximum concentration of 0.1% by weight in homogenous materials for lead, hexavalent chromium, mercury, PBB, PBDE, DBP, BBP, DEHP, DIBP, and 0.01% for cadmium, or qualify for an exemption to these limits as defined in the Annexes of Directive 2011/65/EU (RoHS2). Finished electrical and electronic equipment products will be CE marked as required by Directive 2011/65/EU. Components may not be CE marked. Additionally, the part numbers that TE has identified as EU ELV compliant have a maximum concentration of 0.1% by weight in homogenous materials for lead, hexavalent chromium, and mercury, and 0.01% for cadmium, or qualify for an exemption to these limits

as defined in the Annexes of Directive 2000/53/EC (ELV). Regarding the REACH Regulation, the information TE provides on SVHC in articles for this part number is based on the latest European Chemicals Agency (ECHA) 'Guidance on requirements for substances in articles' posted at this URL: <https://echa.europa.eu/guidance-documents/guidance-on-reach>

Compatible Parts



TE Part # 2288220-2
CFP2 HEATSINK CLIP



TE Part # 2288221-1
CFP2 EMI/DUST PLUG

Customers Also Bought



TE Part #2289501-3
HEAT SINK FOR CFP4



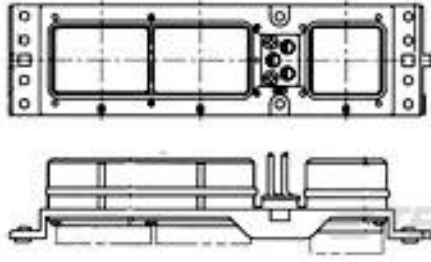
TE Part #2289502-2
CFP4 1X4, HEATSINK CLIP



TE Part #188398-9
Hard Metric Male Connector:
Traditional Backplane, Mezzanine,
2mm



TE Part #YDTS24F25-19PEC001
D38999: Jam Nut, 25-19 Insert,
Electroless Nickel Plating



TE Part #4-208972-0
NIC66H20A08AA1 PLG ASY SZ2



TE Part #194234-2
PIN HDR ASSY, MNL, 4 CIR, LUBR'D



TE Part #2170753-9
CAGE ASSY, QSFP28 1X1, GASKET,
HS



TE Part #2195765-1
CHIP Antenna, SMD, 1570-1580MHz, 2.4
GHz



TE Part #187788N003
SO63-3-00CS2567



TE Part #2-2350655-3
3P TPA, .060-.130 OD INSL, UMNL

Documents

Product Drawings

CFP2 HEATSINK, SIDE TO SIDE AIRFLOW

English



CAD Files

3D PDF

3D

Customer View Model

[ENG_CVM_CVM_2288219-3_1.2d_dxf.zip](#)

English

Customer View Model

[ENG_CVM_CVM_2288219-3_1.3d_igs.zip](#)

English

Customer View Model

[ENG_CVM_CVM_2288219-3_1.3d_stp.zip](#)

English

By downloading the CAD file I accept and agree to the [Terms and Conditions](#) of use.

Product Specifications

Application Specification

English