



Product Compliance

[For compliance documentation, visit the product page on TE.com>](#)

EU RoHS Directive 2011/65/EU	Compliant
EU ELV Directive 2000/53/EC	Compliant
China RoHS 2 Directive MIIT Order No 32, 2016	No Restricted Materials Above Threshold
EU REACH Regulation (EC) No. 1907/2006	Current ECHA Candidate List: JAN 2021 (211) Candidate List Declared Against: JAN 2021 (211) Does not contain REACH SVHC
Halogen Content	Not Low Halogen - contains Br or Cl > 900 ppm.
Solder Process Capability	Not applicable for solder process capability

Product Compliance Disclaimer

This information is provided based on reasonable inquiry of our suppliers and represents our current actual knowledge based on the information they provided. This information is subject to change. The part numbers that TE has identified as EU RoHS compliant have a maximum concentration of 0.1% by weight in homogenous materials for lead, hexavalent chromium, mercury, PBB, PBDE, DBP, BBP, DEHP, DIBP, and 0.01% for cadmium, or qualify for an exemption to these limits as defined in the Annexes of Directive 2011/65/EU (RoHS2). Finished electrical and electronic equipment products will be CE marked as required by Directive 2011/65/EU. Components may not be CE marked. Additionally, the part numbers that TE has identified as EU ELV compliant have a maximum concentration of 0.1% by weight in homogenous materials for lead, hexavalent chromium, and mercury, and 0.01% for cadmium, or qualify for an exemption to these limits as defined in the Annexes of Directive 2000/53/EC (ELV). Regarding the REACH Regulation, the information TE provides on SVHC in articles for this part number is based on the latest European Chemicals Agency (ECHA) 'Guidance on requirements for substances in articles' posted at this URL: <https://echa.europa.eu/guidance-documents/guidance-on-reach>

Also in the Series | [Raychem RNF-100](#)

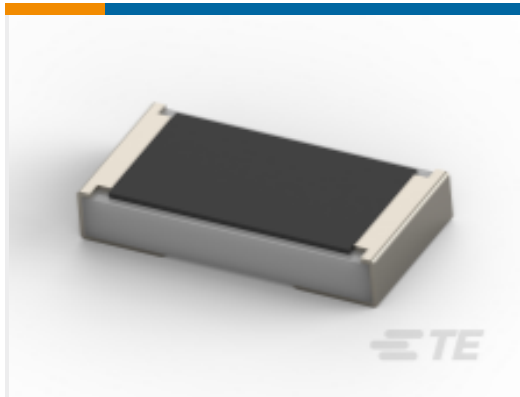


Heat Shrink Tubing(672)



Power Cable Tubing & Accessories(8)

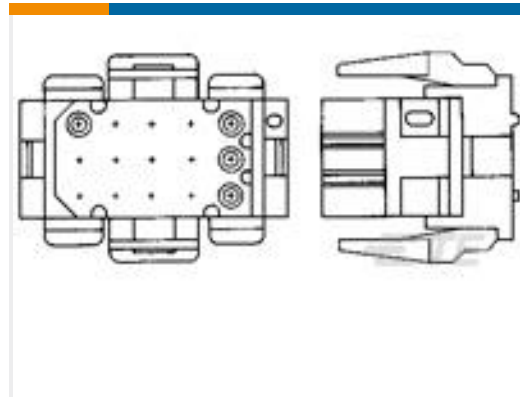
Customers Also Bought



TE Part #1-2176231-3
SMD Power Resistor: 3 Watt, 1% Tol



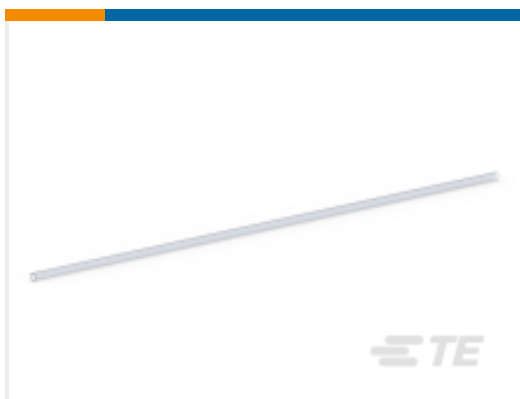
TE Part #195133-000
S1255-04-3/4X100FT



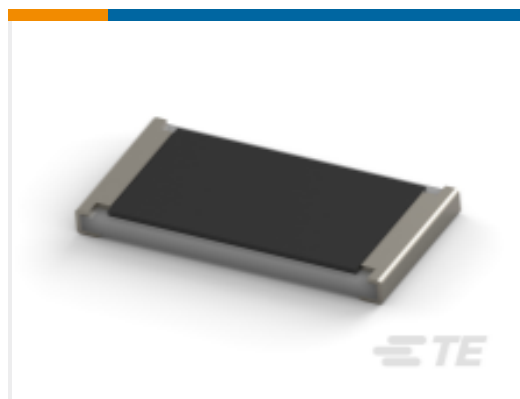
TE Part #1-640519-0
04P MR II PLUG HSG V0 RED



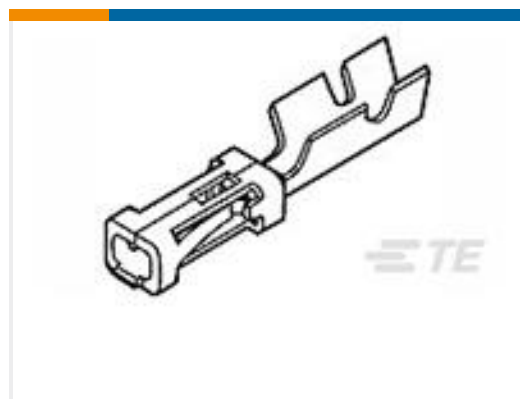
TE Part #HD36-24-23PE-059
DEUTSCH HD30 HOUSINGS



TE Part #1630834001
Single Wall CGPT Spool Heat Shrink Tubin



TE Part #2176070-5
SMD Power Resistor: 2 Watt, 3521 Series



TE Part #166310-3
MOD-5 REC.CONTACT

Documents

Product Drawings

RNF-100-1/16-2-SP

English

Datasheets & Catalog Pages

RNF-100 Pages from 9-1773447-9

English

Application Tooling for Raychem Heat Shrink Product

English

Flexible, Flame-Retardant, High Performance, Polyolefin Heat-Shrinkable Tubing

English

Product Specifications

Quality Specification

English

Product Environmental Compliance

Safety Datasheet



[Safety Datasheet](#)

German

[Safety Datasheet](#)

English

[Safety Datasheet](#)

English

[Safety Datasheet](#)

English

[Safety Datasheet](#)

English

[Safety Datasheet](#)

[Safety Datasheet](#)

[Safety Datasheet](#)

French

[Safety Datasheet](#)

[Safety Datasheet](#)

[Safety Datasheet](#)

[Safety Datasheet](#)