

6-1377172-8 ✓ ACTIVE

SOLISTRAND

TE Internal #: 6-1377172-8

Crimp Wire Pins, Tabs & Ferrules, Pin, Wire Pin, 8AWG Wire Size,

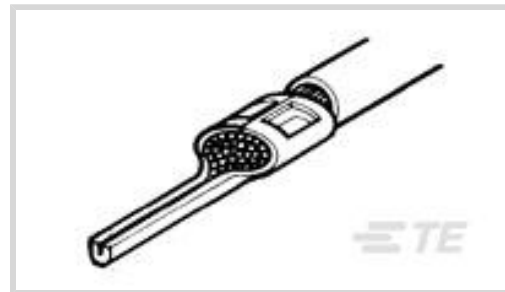
8mm² Wire Size, 13100 – 20800CMA Wire Size, Barrel Inside

Diameter .185 in [4.7 mm]

[View on TE.com >](#)



Terminals & Splices > Crimp Wire Pins, Tabs & Ferrules



Terminal & Splice Type: **Pin**

Crimp Wire Pin, Tab & Ferrule Terminal Type: **Wire Pin**

Heavy Duty: **No**

Wire Size: **8 mm²**

Features

Product Type Features

Crimp Wire Pin, Tab & Ferrule Barrel Type	Closed Barrel
Crimp Wire Pin, Tab & Ferrule Wire/Cable Type	Discrete Wire
Sealable	No
Insulated	No

Body Features

	80 μin
Double Wire	No
Crimp Wire Pin, Tab & Ferrule Plating Material	Copper, Tin

Contact Features

Terminal & Splice Type	Pin
Crimp Wire Pin, Tab & Ferrule Terminal Type	Wire Pin
Pin Type	Formed
Pin Style	Round
Crimp Wire Pin, Tab & Ferrule Terminal Orientation	Straight

Termination Features

Bullet Terminal	Without
-----------------	---------

Mechanical Attachment

Wire Insulation Support	Without
-------------------------	---------



Dimensions

Wire Size	13100 – 20800 CMA
Barrel Inside Diameter	4.7 mm[.185 in]
Crimp Wire Pin, Tab & Ferrule Material Thickness	.99 mm[.039 in]
Crimp Wire Pin, Tab & Ferrule Overall Length	22 mm[.866 in]

Usage Conditions

Insulation Requirement	Uninsulated
Operating Temperature Range	170 °C[338 °F]

Operation/Application

Heavy Duty	No
------------	----

Packaging Features

Packaging Quantity	500
Crimp Wire Pin, Tab & Ferrule Packaging Method	Box

Product Compliance

[For compliance documentation, visit the product page on TE.com>](#)

EU RoHS Directive 2011/65/EU	Compliant
EU ELV Directive 2000/53/EC	Compliant
China RoHS 2 Directive MIIT Order No 32, 2016	No Restricted Materials Above Threshold
EU REACH Regulation (EC) No. 1907/2006	Current ECHA Candidate List: JAN 2021 (211) Candidate List Declared Against: JAN 2021 (211) Does not contain REACH SVHC
Halogen Content	Not Yet Reviewed for halogen content
Solder Process Capability	Not applicable for solder process capability

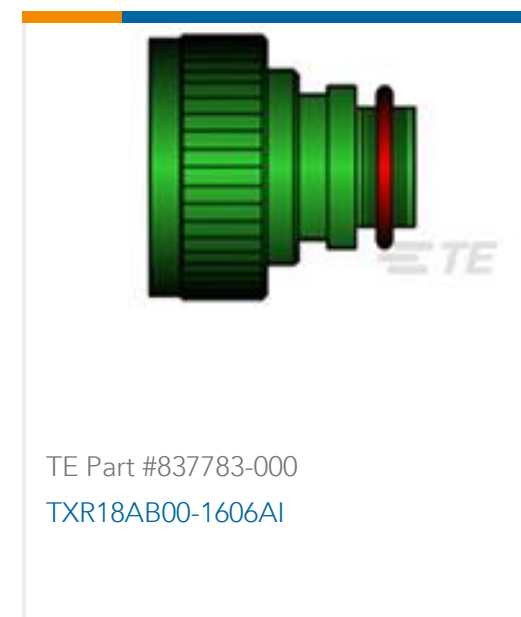
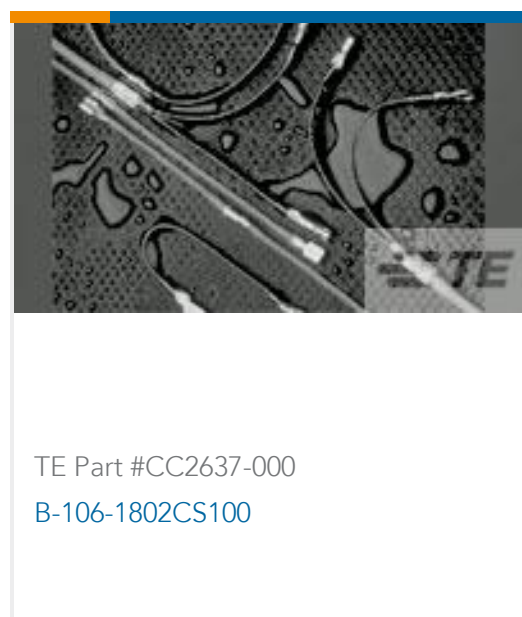
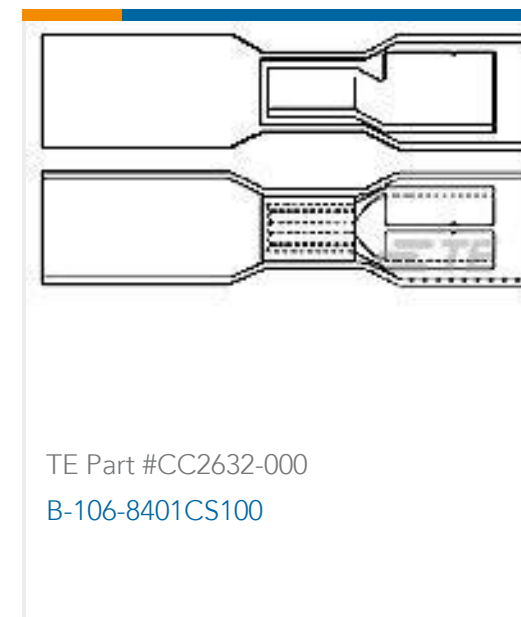
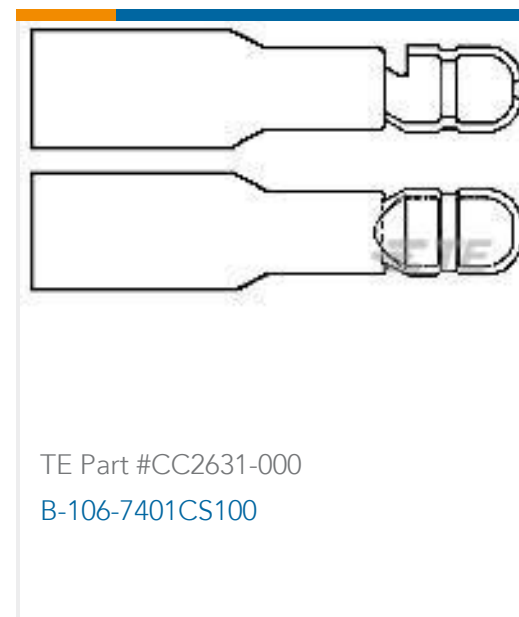
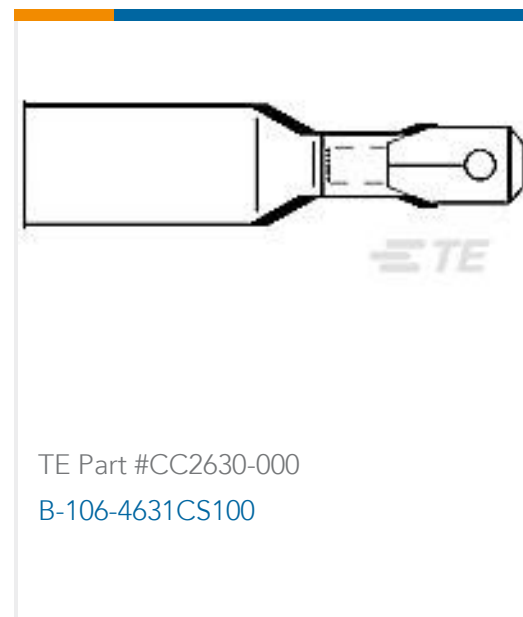
Product Compliance Disclaimer

This information is provided based on reasonable inquiry of our suppliers and represents our current actual knowledge based on the information they provided. This information is subject to change. The part numbers that TE has identified as EU RoHS compliant have a maximum concentration of 0.1% by weight in homogenous materials for lead, hexavalent chromium, mercury, PBB, PBDE, DBP, BBP, DEHP, DIBP, and 0.01% for cadmium, or qualify for an exemption to these limits as defined in the Annexes of Directive 2011/65/EU (RoHS2). Finished electrical and electronic equipment products will be CE marked as required by Directive 2011/65/EU. Components may not be CE marked. Additionally, the part numbers that TE has identified as EU ELV compliant have a maximum concentration of 0.1% by weight in homogenous materials for lead, hexavalent chromium, and mercury, and 0.01% for cadmium, or qualify for an exemption to these limits as defined in the Annexes of Directive 2000/53/EC (ELV). Regarding the REACH Regulation, the information TE provides on SVHC in articles for this part number is based on the latest European Chemicals Agency (ECHA) 'Guidance on requirements for substances in articles' posted at this URL: <https://echa.europa.eu/guidance-documents/guidance-on-reach>

Compatible Parts



Customers Also Bought



Documents

Product Drawings

[SMP 0-0180599-0](#)

English

Product Specifications

[Application Specification](#)

English

6-1377172-8

Crimp Wire Pins, Tabs & Ferrules, Pin, Wire Pin, 8AWG Wire Size, 8mm² Wire Size,
13100 – 20800CMA Wire Size, Barrel Inside Diameter .185 in [4.7 mm]

