



Product Compliance

[For compliance documentation, visit the product page on TE.com>](#)

EU RoHS Directive 2011/65/EU	Compliant
EU ELV Directive 2000/53/EC	Compliant
China RoHS 2 Directive MIIT Order No 32, 2016	No Restricted Materials Above Threshold
EU REACH Regulation (EC) No. 1907/2006	Current ECHA Candidate List: JAN 2021 (211) Candidate List Declared Against: JAN 2021 (211) Does not contain REACH SVHC
Halogen Content	Low Halogen - Br, Cl, F, I < 900 ppm per homogenous material. Also BFR/CFR/PVC Free
Solder Process Capability	Not applicable for solder process capability

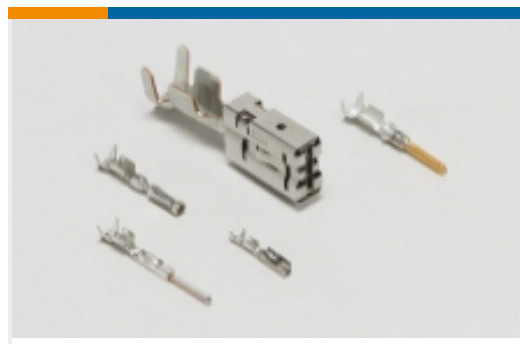
Product Compliance Disclaimer

This information is provided based on reasonable inquiry of our suppliers and represents our current actual knowledge based on the information they provided. This information is subject to change. The part numbers that TE has identified as EU RoHS compliant have a maximum concentration of 0.1% by weight in homogenous materials for lead, hexavalent chromium, mercury, PBB, PBDE, DBP, BBP, DEHP, DIBP, and 0.01% for cadmium, or qualify for an exemption to these limits as defined in the Annexes of Directive 2011/65/EU (RoHS2). Finished electrical and electronic equipment products will be CE marked as required by Directive 2011/65/EU. Components may not be CE marked. Additionally, the part numbers that TE has identified as EU ELV compliant have a maximum concentration of 0.1% by weight in homogenous materials for lead, hexavalent chromium, and mercury, and 0.01% for cadmium, or qualify for an exemption to these limits as defined in the Annexes of Directive 2000/53/EC (ELV). Regarding the REACH Regulation, the information TE provides on SVHC in articles for this part number is based on the latest European Chemicals Agency (ECHA) 'Guidance on requirements for substances in articles' posted at this URL: <https://echa.europa.eu/guidance-documents/guidance-on-reach>

Also in the Series | [Mark II](#)



Automotive Housings(5)



Automotive Terminals(24)



Insertion & Extraction Tools(2)

Customers Also Bought



TE Part #170454-1
PL 250 AUTOMOTIVE REC 18-14 0.40 X 21 BR



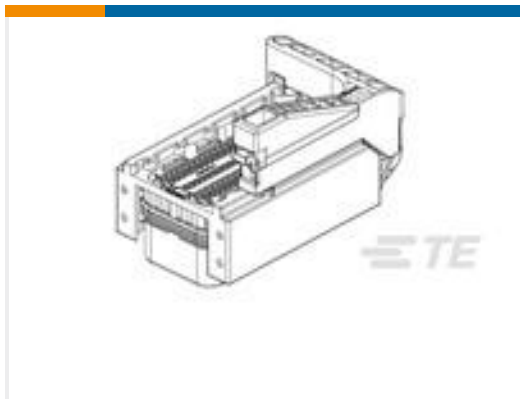
TE Part #1897212-1
AMP MCP, SEALED CONNECTOR HOUSING



TE Part #173630-1
MULTILOCK, RECEPTACLE AND TAB



TE Part #936471-1
MULTILOCK, CONNECTOR HOUSING



TE Part #1-2005475-2
PCU SLD 105P PLUG ASSY(A-RH)



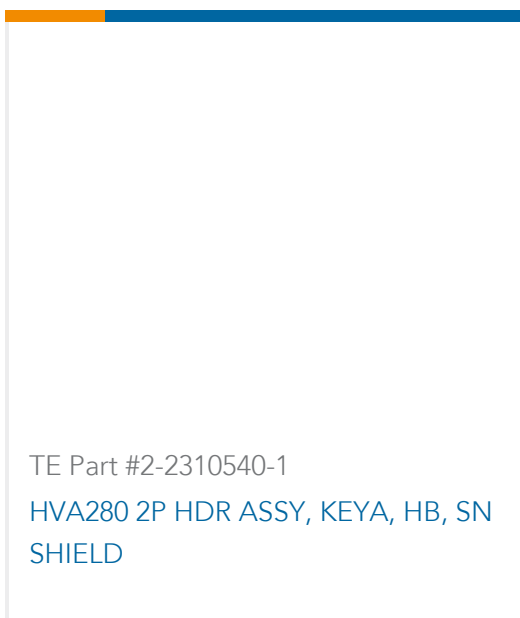
TE Part #184396-1
2X2 PLUG ASSEMBLY, C KEY, CLAS



TE Part #174259-3
ECONOSEAL, CONNECTOR HOUSING



TE Part #172039-1
MIC 7P CAP ASSY



TE Part #2-2310540-1
HVA280 2P HDR ASSY, KEYA, HB, SN SHIELD

Documents

Product Drawings

[070 MLC CLIP HSG](#)

English

CAD Files

[3D PDF](#)

[3D](#)

[Customer View Model](#)

[ENG_CVM_CVM_85000-1_B.2d_dxf.zip](#)



English

Customer View Model

[ENG_CVM_CVM_85000-1_B.3d_igs.zip](#)

English

Customer View Model

[ENG_CVM_CVM_85000-1_B.3d_stp.zip](#)

English

By downloading the CAD file I accept and agree to the [Terms and Conditions](#) of use.

Product Environmental Compliance

TE Material Declaration

English