

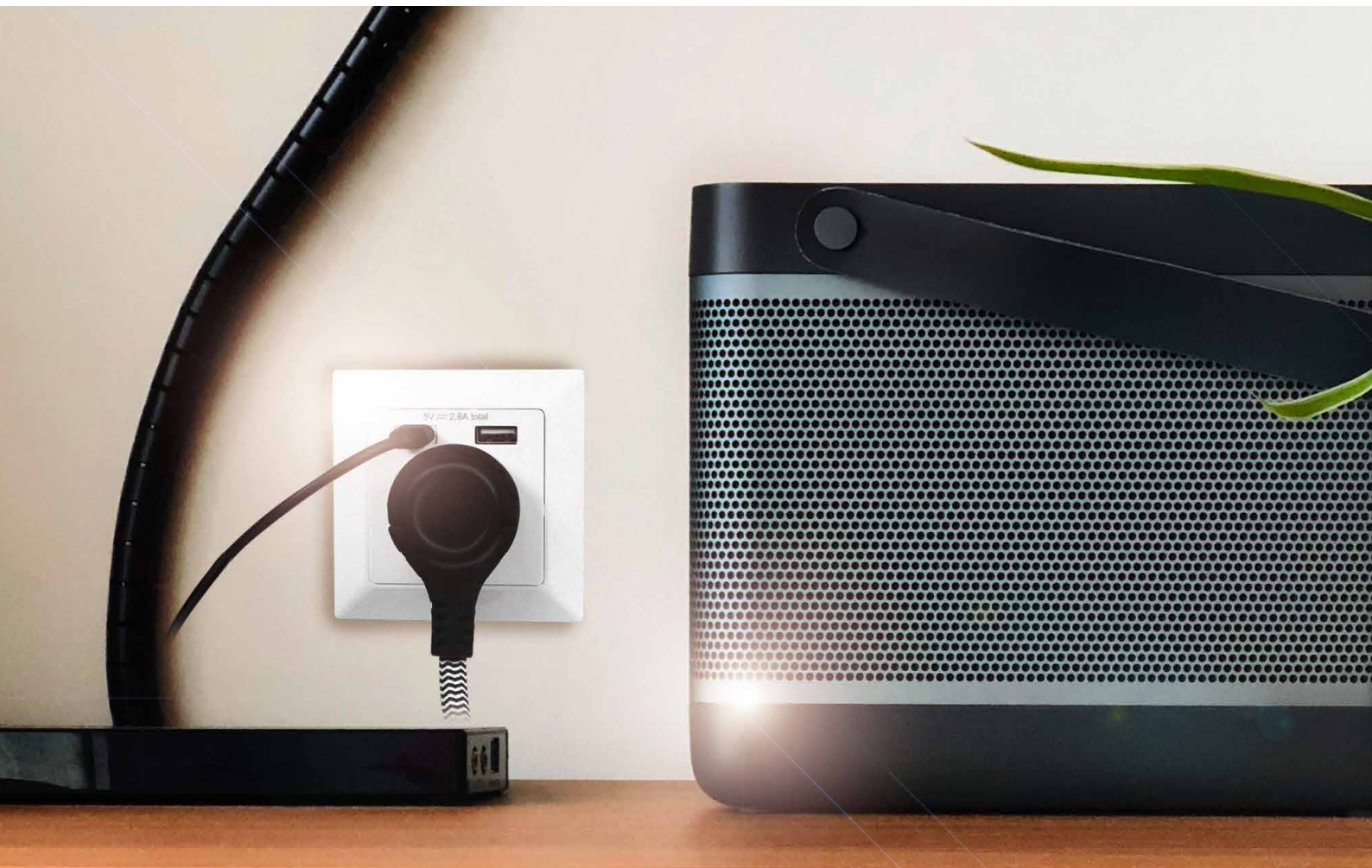


LogiLink®

German Wall Socket with 2-USB Port

1x USB-C™ port & 1x USB-A port

Art. No.: PA0262



Space-saving & Charging Your Devices Directly

This easy-to-install German wall socket with integrated 2 USB ports enable space-saving electrical installation and provide a new energy without having to occupy the socket with an additional charger. It's great for cafés, hairdressing salons, hotels or, of course, in your own walls at home or in the office – wherever you need new energy for your smartphone or tablet quickly.



*The specifications and pictures are subject to change without prior notice.
*All trade names referenced are the registered trademarks of their respective owners.



Made in China

Multifunctional & Safety Protection

This flush-mounted German socket is suitable for conventional household appliances and integrated 1 USB-C and 1 USB-A ports for easy charging. With safety protection and provides electronic short circuit and overload protection for the USB ports.



2 USB ports can charge up to two devices simultaneously, such as smartphone, tablet, mobile power supply, MP3, digital camera, etc.



The USB German socket fits in standard flush-mounted socket.



Quickly charge with USB outputs.

2 USB Outputs:
5 V/2.8 A,
14 W max.

AC socket load max.:
16 A, 3680 W max.



*The specifications and pictures are subject to change without prior notice.
*All trade names referenced are the registered trademarks of their respective owners.



Made in China



LogiLink®

German Wall Socket with 2-USB Port

1x USB-C™ port & 1x USB-A port

Art. No.: PA0262

Specifications:

Rated Voltage	230 V AC, 50/60 Hz
Max. Power	14 W
Standby Power Consumption	0.09 W
Operating Temperature	0–35 °C
Operating Humidity	40–75%
Storage Temperature	-10–50 °C
Storage Humidity	10–80%
Dimensions	8x8x3.8 cm
Weight	0.11 kg



*The specifications and pictures are subject to change without prior notice.
*All trade names referenced are the registered trademarks of their respective owners.



Made in China



LogiLink®

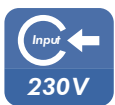
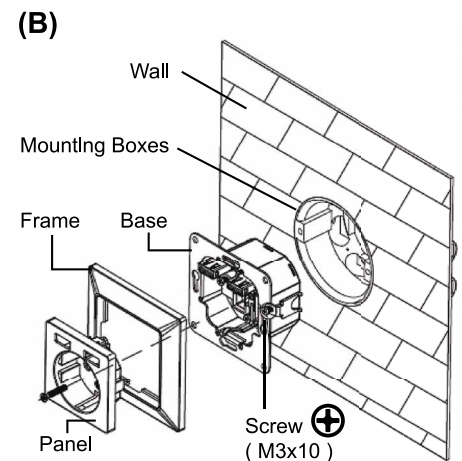
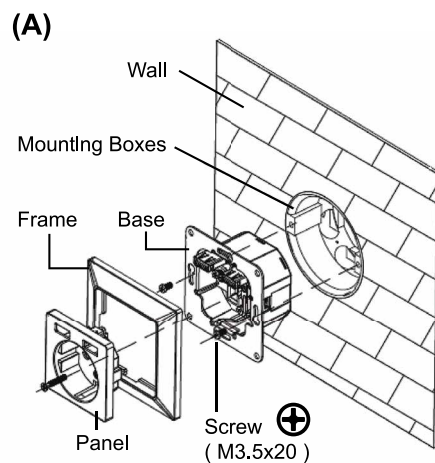
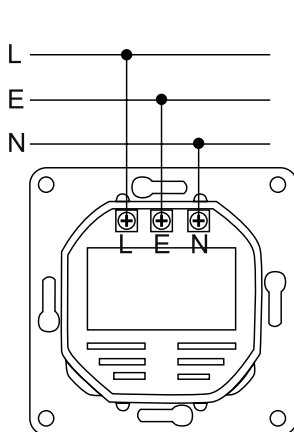
German Wall Socket with 2-USB Port

1x USB-C™ port & 1x USB-A port

Art. No.: PA0262

How to Install:

- Turn power off before connecting and check that no voltage is present..
- Connect the wires and install the base into the wall.
There are 2 ways to install, fix the base with screw (A) or claw (B).
- Install the panel and screw the socket onto the receptacle.



Package Content:

- » 1x German Wall Socket with 2-USB Port

Package Information:

- » Packing Dimension: 115x82x30 mm
- » Packing Weight: 0.115 kg
- » Carton Dimension: 485x355x240 mm
- » Carton Q'ty: 100 pcs
- » Carton Weight: 14 kg



RoHS
compliant



*For indoor use only.

*Use only in dry areas.

*The installation and assembly of electrical devices may only be carried out by a qualified electrician!

*The specifications and pictures are subject to change without prior notice.

*All trade names referenced are the registered trademarks of their respective owners.



PA0262



4 052792 063066

Made in China