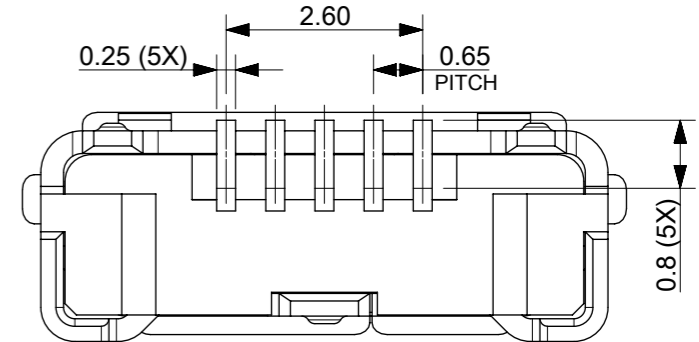
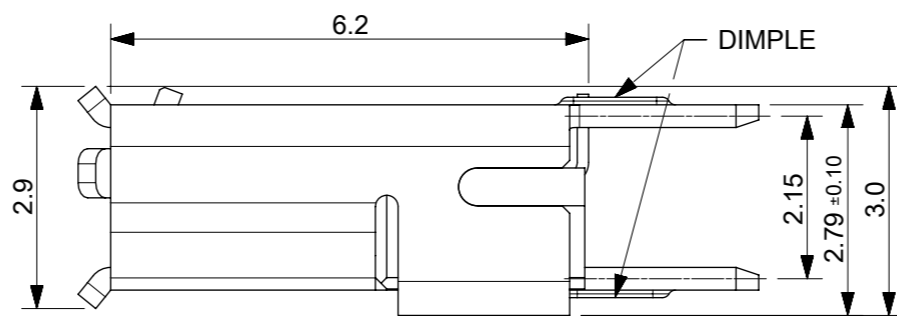
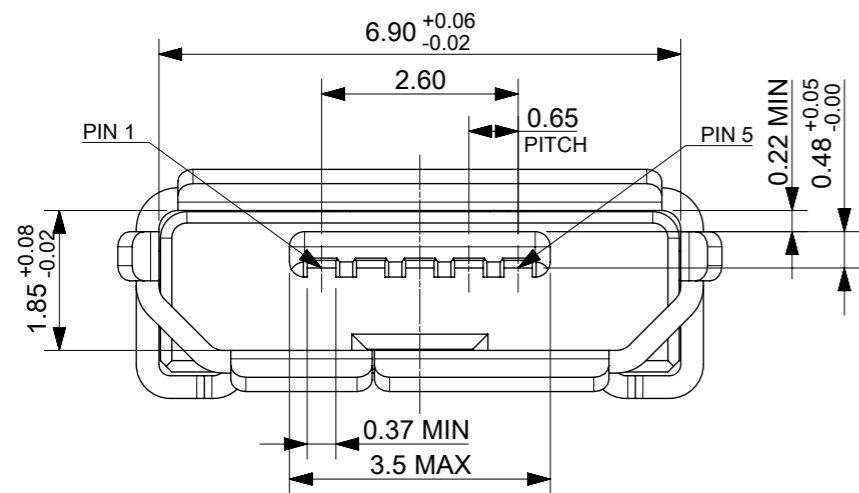


RECOMMENDED PCB LAYOUT (THICKNESS: 1.6mm)  
GENERAL TOLERANCE: ±0.05

PIN	NAME
5	GND
4	ID
3	D+
2	D-
1	VBUS

PIN ASSIGNMENT



105133-0002	1.70
105133-0001	2.30
PART NUMBER	DIM A

NOTES:

- MATERIAL:  
HOUSING & COVER: HIGH TEMPERATURE THERMOPLASTIC, BLACK, UL94V-0;  
TERMINAL: COPPER ALLOY, THICKNESS: 0.15mm;  
SHELL: STAINLESS STEEL, THICKNESS: 0.30mm.
- PLATING:  
TERMINAL: CONTACT AREA: GOLD FLASH OVER MINIMUM 0.75 MICRON Pd/Ni;  
SOLDER TAIL AREA: GOLD FLASH;  
UNDER PLATING: NICKEL 2.0 MICRON MINIMUM.  
SHELL: MATTE TIN 1.27 MICRON MINIMUM;  
UNDER PLATING: NICKEL 1.27 MICRON MINIMUM.
- TAIL COPLANARITY 0.08mm MAXIMUM.
- PRODUCT SPECIFICATION: PS-105133-001.
- PACKAGE SPECIFICATION: PK-105133-001.
- COMPLIANT TO RoHS DIRECTIVE 2011/65/EU AND ELV 2000/53/EC.

THIS DRAWING CONTAINS INFORMATION THAT IS PROPRIETARY TO MOLEX ELECTRONIC TECHNOLOGIES, LLC AND SHOULD NOT BE USED WITHOUT WRITTEN PERMISSION									
DIMENSION UNITS	SCALE	CURRENT REV DESC: OBSOLETE PART NUMBER AS PER PCN 508518							
mm	NTS	<p>SALES DRAWING FOR USB, MICRO-B VERTICAL TYPE</p> <p>PRODUCT CUSTOMER DRAWING</p>							
GENERAL TOLERANCES (UNLESS SPECIFIED)									
ANGULAR TOL	± 3.0°	EC NO: 671087		2021/05/27		DOCUMENT NUMBER		DOC TYPE DOC PART REVISION	
4 PLACES	±	DRWN: RPRABHUM		2021/08/06		SD-105133-001		PSD 000 F	
3 PLACES	±	CHK'D: GGA		2021/08/06		SERIES		MATERIAL NUMBER	
2 PLACES	± 0.15	APPR: GGA		2021/08/06		A3-SIZE		105133	
1 PLACE	± 0.25	INITIAL REVISION:		2015/10/30		CUSTOMER		GENERAL MARKET	
0 PLACES	±	DRWN: XQZHANG		2015/10/30		SHEET NUMBER		1 OF 1	
DRAFT WHERE APPLICABLE MUST REMAIN WITHIN DIMENSIONS		THIRD ANGLE PROJECTION		DRAWING		SERIES		MATERIAL NUMBER	
				A3-SIZE		105133		SEE TABLE	