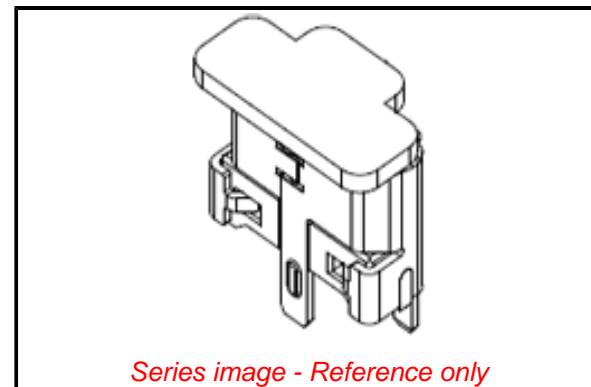


**PLEASE CHECK WWW.MOLEX.COM FOR LATEST PART INFORMATION**

**Part Number:** [1051330001](#)  
**Status:** **Active**  
**Overview:** [USB Products and Solutions](#)  
**Description:** Micro-USB B Receptacle, Vertical, Surface Mount, 6.70mm Height, 2.30mm Solder Tabs, Lead-Free

**Documents:**

<a href="#">3D Model</a>	<a href="#">Product Specification PS-47642-001-001 (PDF)</a>
<a href="#">3D Model (PDF)</a>	<a href="#">Packaging Specification PK-105133-001-001 (PDF)</a>
<a href="#">Drawing (PDF)</a>	<a href="#">Test Summary TS-105133-001-001 (PDF)</a>
<a href="#">Product Specification PS-105133-001-001 (PDF)</a>	<a href="#">RoHS Certificate of Compliance (PDF)</a>



**Agency Certification**

UL E107635

**General**

Product Family	I/O Connectors
Series	<a href="#">105133</a>
Application	Wire-to-Board
Comments	Signal contacts 1.0A, Power contacts 1.8A
Component Type	Receptacle
Overview	<a href="#">USB Products and Solutions</a>
Product Name	USB
Standard	USB 2.0
Type	Micro-B
UPC	884982164949

**Physical**

Circuits (Loaded)	5
Circuits (maximum)	5
Color - Resin	Black
Durability (mating cycles max)	10000
Flammability	94V-0
Gender	Female
Keying to Mating Part	Yes
Lock to Mating Part	No
Material - Metal	Copper Alloy
Material - Plating Mating	Gold over Palladium Nickel
Material - Plating Termination	Gold
Material - Resin	High Temperature Thermoplastic
Mounting Style	Vertical
Net Weight	0.360/g
Number of Rows	1
Orientation	Vertical
PCB Retention	None
PCB Thickness - Recommended	1.60mm
Packaging Type	Embossed Tape on Reel
Panel Mount	No
Pitch - Mating Interface	0.65mm
Pitch - Termination Interface	0.65mm
Polarized to Mating Part	Yes
Polarized to PCB	Yes
Ports	1
Surface Mount Compatible (SMC)	Yes
Temperature Range - Operating	-30° to +85°C
Termination Interface: Style	Surface Mount
Waterproof / Dustproof	No

**EU ELV**

**Not Relevant**

**EU RoHS**

**Compliant**

**REACH SVHC**

Not Contained Per -  
D(2020)9139-DC (19  
Jan 2021)

**Halogen-Free**

**Status**

**Low-Halogen**

For more information, please visit [Contact US](#)

China ROHS

ELV

RoHS Phthalates

**China RoHS**

Green Image

Not Relevant

Not Contained

**Search Parts in this Series**

[105133 Series](#)

**Electrical**

Current - Maximum per Contact	1.8A, 1.0A
Grounding to Panel	Yes
Shield Type	Full Shield
Shielded	Yes
Voltage - Maximum	30V AC (RMS)

**Solder Process Data**

Duration at Max. Process Temperature (seconds)	010
Lead-freeProcess Capability	REFLOW
Max. Cycles at Max. Process Temperature	001
Process Temperature max. C	260

**Material Info****Reference - Drawing Numbers**

Packaging Specification	PK-105133-001-001
Product Specification	PS-105133-001-001, PS-47642-001-001
Sales Drawing	SD-105133-001-000
Test Summary	TS-105133-001-001

This document was generated on 08/23/2021

**PLEASE CHECK [WWW.MOLEX.COM](http://WWW.MOLEX.COM) FOR LATEST PART INFORMATION**