

NOTES:

1. MATERIAL:

OPTION 1: PA4T, 30% GLASS FILLED, 94V-0, BLACK

OPTION 2: PA4T, 30 GLASS FILLED, 94V-0, NATUAL.

2. PRODUCT SPECIFICATION: PS-105300-100.

3. PACKAGE SPECIFICATION: PK-105307-100.

4. THE COMPONENT COMPLIANT TO RoHS DIRECTIVE 2011/65/EU AND ELV DIRECTIVE 2000/53/EC.

5. TO MATE WITH TERMINAL OF 105300-****.

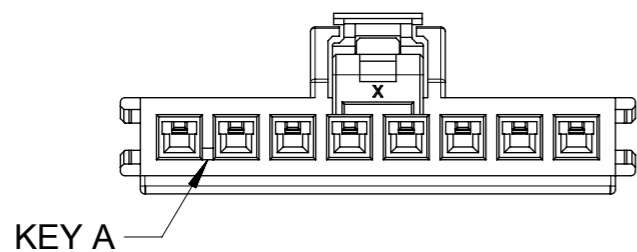
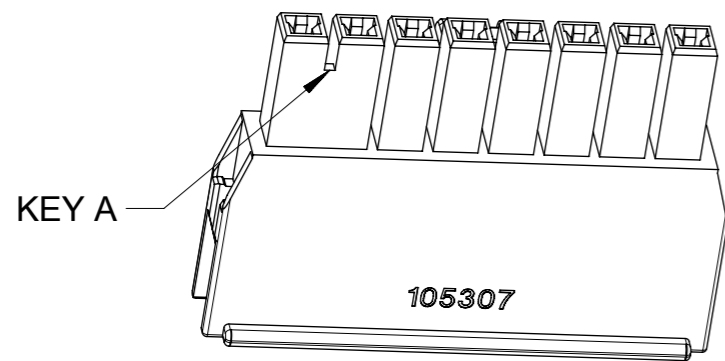
TO MATE WITH TPA OF 105325-****.

TO MATE WITH HEADER OF 105309-****, 105311-**** AND 105313-****.

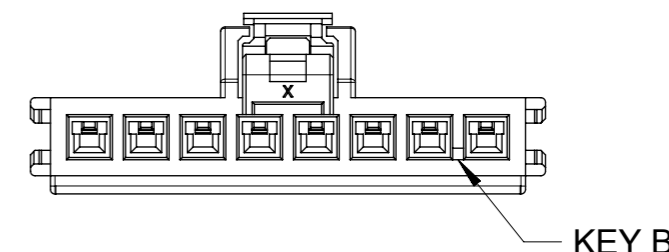
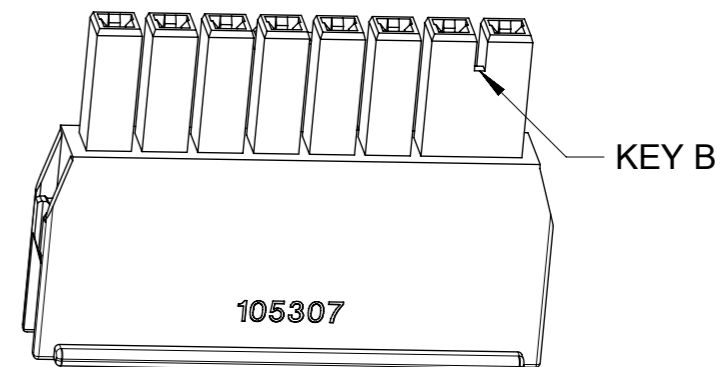
6. PARTS CONFORM TO CLASS 'B' REQUIREMENTS OF COSMETIC SPECIFICATION PS-45499-002.

7. APPLICATION SPECIFICATION: AS-105300-100.

THIS DRAWING CONTAINS INFORMATION THAT IS PROPRIETARY TO MOLEX ELECTRONIC TECHNOLOGIES, LLC AND SHOULD NOT BE USED WITHOUT WRITTEN PERMISSION											
QUALITY SYMBOLS ▽A = 0 ▽E = 0 ▽F = 0 ▼ = 0 ▽C = 0 ⊗ = 0 ■ = 0 ▽ = 0	2018/09/21	2019/04/17	2019/04/17	GENERAL TOLERANCES (UNLESS SPECIFIED)		DIMENSION UNITS	SCALE				
	DRWN: GLLI	CHK'D: AYIN	APPR: AYIN	ANGULAR TOL ± 3.0 °		mm	3:1				
	EC NO: 614394	REV: E	REV: 1	4 PLACES	±	DRWN BY	DATE	RECEPTACLE OF NANO-FIT, S/R, TPA POWER CONNECTOR			
				3 PLACES	±	GLLI	2014/08/13				
				2 PLACES	± 0.2	CHK'D BY	DATE	PRODUCT CUSTOMER DRAWING			
				1 PLACE	± 0.3	AYIN	2015/04/08				
	0 PLACES	±	APPR BY	DATE	DRAWING SIZE	THIRD ANGLE PROJECTION	SERIES	MATERIAL NUMBER	CUSTOMER		
	DRAFT WHERE APPLICABLE MUST REMAIN WITHIN DIMENSIONS		A3			105307	SEE SHEET 4	GENERAL MARKET			
						DOCUMENT NUMBER	DOC TYPE	DOC PART	SHEET NUMBER		
						SD-105307-100	PSD	000	1 OF 4		



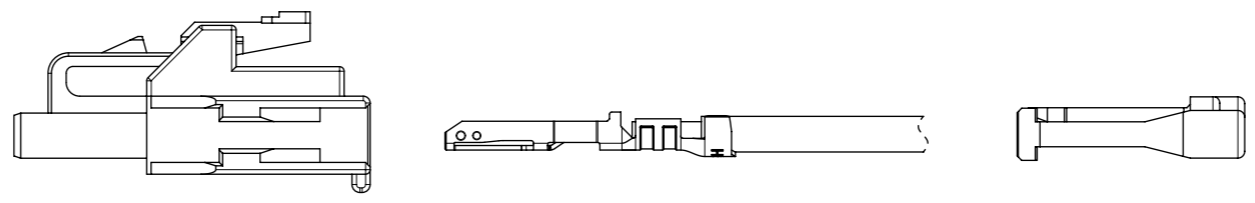
BLACK



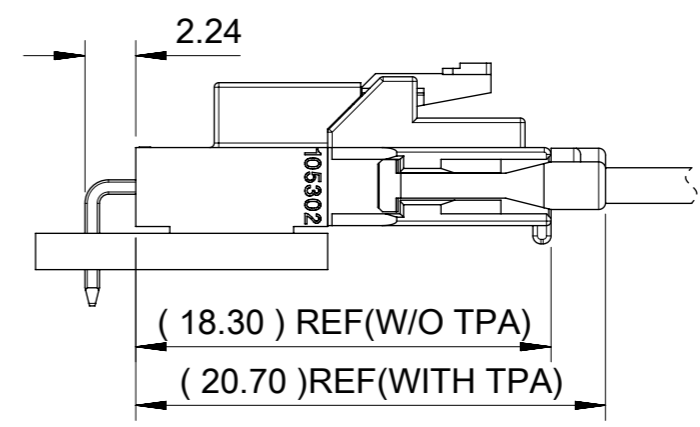
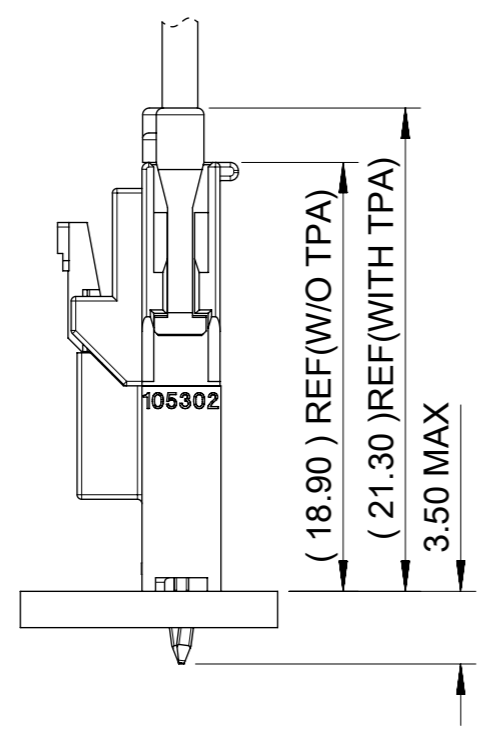
NATURAL

COLOR OPTION

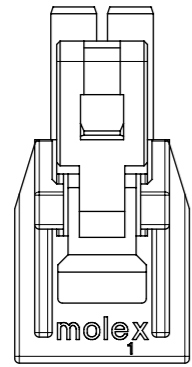
QUALITY SYMBOLS ▽ _A = 0 ▽ _E = 0 ▽ _F = 0 ▼ = 0 ▽ = 0 ⊗ = 0 ■ = 0 ▽ = 0	THIS DRAWING CONTAINS INFORMATION THAT IS PROPRIETARY TO MOLEX ELECTRONIC TECHNOLOGIES, LLC AND SHOULD NOT BE USED WITHOUT WRITTEN PERMISSION											
	EC NO: 614394 DRWN: GLLI CHK'D: AYIN APPR: AYIN	2018/09/21	2019/04/17	GENERAL TOLERANCES (UNLESS SPECIFIED)		DIMENSION UNITS	SCALE					
				ANGULAR TOL ± 3.0 °		mm	3:1					
				4 PLACES ±	DRWN BY		DATE		RECEPTACLE OF NANO-FIT, S/R, TPA POWER CONNECTOR			
				3 PLACES ±	GLLI		2014/08/13					
				2 PLACES ± 0.2	CHK'D BY		DATE					
			1 PLACE ± 0.3	APPR BY		DATE		PRODUCT CUSTOMER DRAWING				
			0 PLACES ±	AYIN		2015/04/08		SERIES	MATERIAL NUMBER	CUSTOMER		
	DRAFT WHERE APPLICABLE MUST REMAIN WITHIN DIMENSIONS			DRAWING SIZE	THIRD ANGLE PROJECTION			105307	SEE SHEET 4	GENERAL MARKET		
				A3				DOCUMENT NUMBER		DOC TYPE	DOC PART	SHEET NUMBER
			SD-105307-100		PSD	000	2 OF 4					



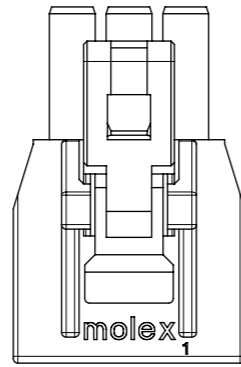
←
TERMINAL AND TPA ORIENTATION



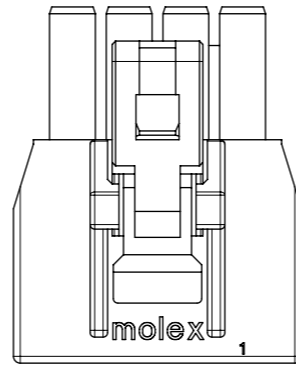
THIS DRAWING CONTAINS INFORMATION THAT IS PROPRIETARY TO MOLEX ELECTRONIC TECHNOLOGIES, LLC AND SHOULD NOT BE USED WITHOUT WRITTEN PERMISSION											
QUALITY SYMBOLS ▽A = 0 ▽E = 0 ▽F = 0 ▼ = 0 ▽C = 0 ⊗ = 0 ■ = 0 ▽ = 0	2018/09/21	GENERAL TOLERANCES (UNLESS SPECIFIED)		DIMENSION UNITS	SCALE						
	2019/04/17	ANGULAR TOL ± 3.0 °		mm	3:1						
	2019/04/17	4 PLACES	±	DRWN BY	DATE	RECEPTACLE OF NANO-FIT, S/R, TPA POWER CONNECTOR					
		3 PLACES	±	GLLI	2014/08/13						
		2 PLACES	± 0.2	CHK'D BY	DATE	PRODUCT CUSTOMER DRAWING					
		1 PLACE	± 0.3	AYIN	2015/04/08						
		0 PLACES	±	APPR BY	DATE	SERIES	MATERIAL NUMBER	CUSTOMER			
				AYIN		105307	SEE SHEET 4	GENERAL MARKET			
				DRAFT WHERE APPLICABLE MUST REMAIN WITHIN DIMENSIONS	DRAWING SIZE	THIRD ANGLE PROJECTION	DOCUMENT NUMBER		DOC TYPE	DOC PART	SHEET NUMBER
					A3		SD-105307-100		PSD	000	3 OF 4



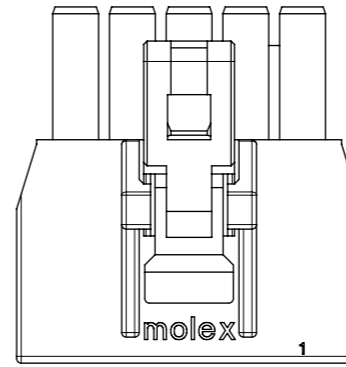
2 CKT



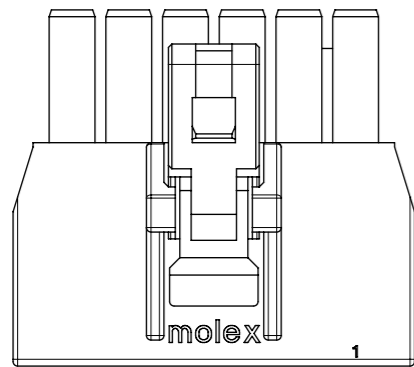
3 CKT



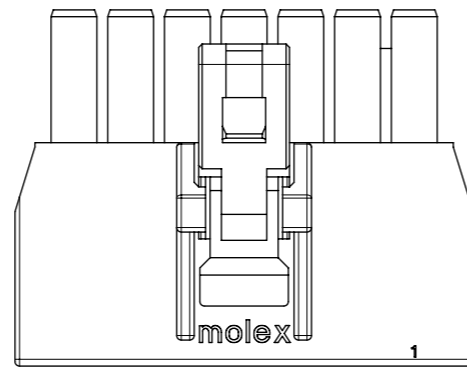
4 CKT



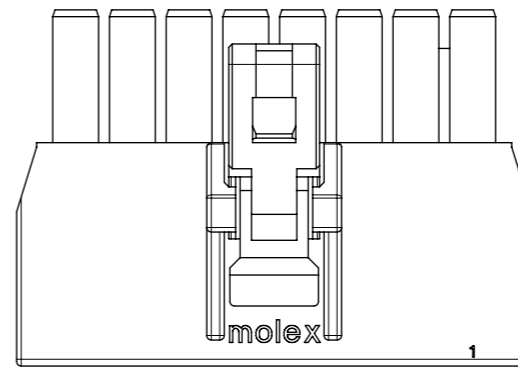
5 CKT



6 CKT



7 CKT



8 CKT

WITH TPA FEATURE			
PART No	DIM 'A'	CKT SIZE	COLOR
105307-1202	7.70	2	BLACK (KEY A)
105307-1203	10.20	3	
105307-1204	12.70	4	
105307-1205	15.20	5	
105307-1206	17.70	6	
105307-1207	20.20	7	
105307-1208	22.70	8	
105307-2202	7.70	2	
105307-2203	10.20	3	
105307-2204	12.70	4	
105307-2205	15.20	5	
105307-2206	17.70	6	
105307-2207	20.20	7	
105307-2208	22.70	8	

105307- * * * *

CIRCUIT SIZE

TPA OPTION: 1 - STANDARD
2 - WITH TPA

COLOR OPTION: 1 - BLACK
2 - NATURAL

THIS DRAWING CONTAINS INFORMATION THAT IS PROPRIETARY TO MOLEX ELECTRONIC TECHNOLOGIES, LLC AND SHOULD NOT BE USED WITHOUT WRITTEN PERMISSION											
QUALITY SYMBOLS ▽A = 0 ▽E = 0 ▽B = 0 ▼ = 0 ▽C = 0 ⊗ = 0 ■ = 0 ▽ = 0	EC NO: 614394 DRWN: GLLI CHK'D: AYIN APPR: AYIN	GENERAL TOLERANCES (UNLESS SPECIFIED) ANGULAR TOL ± 3.0 °		DIMENSION UNITS	SCALE						
		4 PLACES ± 3 PLACES ± 2 PLACES ± 0.2 1 PLACE ± 0.3 0 PLACES ±		mm	3:1						
2018/09/21 2019/04/17 2019/04/17		DRWN BY: GLLI DATE: 2014/08/13		DRWN BY: GLLI DATE: 2014/08/13		RECEPTACLE OF NANO-FIT, S/R, TPA POWER CONNECTOR					
EC NO: 614394 DRWN: GLLI CHK'D: AYIN APPR: AYIN		APPR BY: AYIN DATE: 2015/04/08		APPR BY: AYIN DATE: 2015/04/08							
E		REV		DRAFT WHERE APPLICABLE MUST REMAIN WITHIN DIMENSIONS		DRAWING SIZE: A3 THIRD ANGLE PROJECTION		SERIES: 105307 MATERIAL NUMBER: SEE CHART CUSTOMER: GENERAL MARKET		DOCUMENT NUMBER: SD-105307-100 DOC TYPE: PSD DOC PART: 000 SHEET NUMBER: 4 OF 4	