

PLEASE CHECK WWW.MOLEX.COM FOR LATEST PART INFORMATION

Part Number: [1210120107](#)
Status: **Active**
Overview: mPm DIN Valve Connectors
Description: mPm DIN Base, Form B-11mm, B29 Base, 3 Pole Plus Ground Terminal, 250V AC/300V DC, Black, Nitrile Gasket with Screws

Documents:

[Drawing \(PDF\)](#) [RoHS Certificate of Compliance \(PDF\)](#)
[Packaging Specification PK-121012-B29-001 \(PDF\)](#)

General

Product Family	Field Attachable / Accessories
Series	121012
Form	B - 11mm
IP Rating	IP65, IP67
Material - Contact	Brass
Overview	mPm DIN Valve Connectors
Product Name	mPm
Type	Field Attachable Connector
UPC	883906248758

Physical

Cable Diameter	N/A
Coupling Type	N/A
Diagnostics / LEDs	No
Diagnostics Port	No
Gender	N/A
Keyway	None
Material - Connector Body	Polypropylene
Material - Coupling Nut	N/A
Material - Plating Mating	Tin
Net Weight	7.603/g
Orientation	Straight
Pitch - Mating Interface	11.00mm
Poles	3
Temperature Range - Operating	-40°C to +90°C
Wire Size AWG	N/A

Electrical

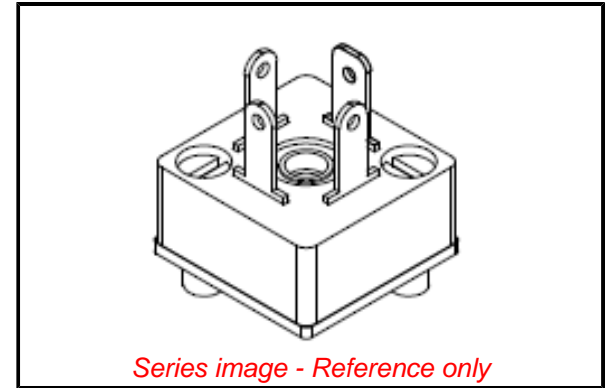
Current - Maximum per Contact	10.0A
Voltage - Maximum	250V AC / 300V DC

Material Info

Engineering Number	B293000N2
--------------------	-----------

Reference - Drawing Numbers

Packaging Specification	PK-121012-B29-001
Sales Drawing	SD-121012-007



Series image - Reference only

EU ELV

Not Relevant

EU RoHS

Compliant with Exemption 6(c)

REACH SVHC

Not Contained Per - ED/30/2017 (7 July 2017)

Halogen-Free

Status

Low-Halogen

For more information, please visit [Contact US](#)

China ROHS

China RoHS

50 Image

ELV

Not Relevant

RoHS Phthalates

Not Contained

Search Parts in this Series

[121012 Series](#)