

PLEASE CHECK WWW.MOLEX.COM FOR LATEST PART INFORMATION

Part Number: [1210230571](#)
Status: **Active**
Overview: mPm DIN Valve Connectors
Description: mPm DIN Valve Connector, Form B-10mm, PG9 Internal Threads, 2 Pole Plus Ground Terminal, 250V AC/300V DC, Black, Nitrile Gasket, Bulk Pack Mounted

Documents:

[Drawing \(PDF\)](#) [RoHS Certificate of Compliance \(PDF\)](#)
[Packaging Specification PK-121023-C62-001 \(PDF\)](#)

General

Product Family	Field Attachable / Accessories
Series	121023
Form	B - 10mm
IP Rating	IP65, IP67
Material - Contact	Brass
Overview	mPm DIN Valve Connectors
Product Name	mPm
Type	Field Attachable Connector
UPC	883906322045

Physical

Cable Diameter	N/A
Coupling Type	Internal Thread
Diagnostics / LEDs	No
Diagnostics Port	No
Gender	N/A
Keyway	None
Material - Connector Body	Polypropylene
Material - Coupling Nut	N/A
Material - Plating Mating	Silver
Net Weight	20.213/g
Orientation	90° Angle
Pitch - Mating Interface	10.00mm
Poles	2
Temperature Range - Operating	-40°C to +90°C
Wire Size AWG	N/A

Electrical

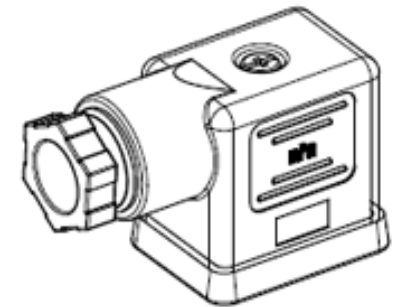
Current - Maximum per Contact	16.0A
Voltage - Maximum	250V AC / 300V DC

Material Info

Engineering Number	C62209N21
--------------------	-----------

Reference - Drawing Numbers

Packaging Specification	PK-121023-C62-001
Sales Drawing	SD-121023-004



Series image - Reference only

EU ELV

Not Relevant

EU RoHS

Not Reviewed

REACH SVHC

Not Contained Per -
ED/30/2017 (7 July
2017)

Halogen-Free

Status

Not Reviewed

For more information, please visit [Contact US](#)

China ROHS

50 Image

ELV

Not Relevant

RoHS Phthalates

Not Contained

Search Parts in this Series

[121023 Series](#)