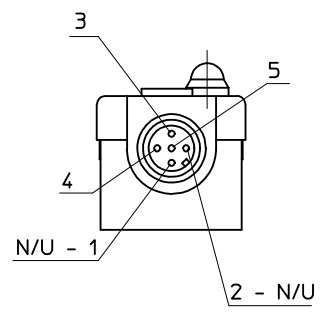
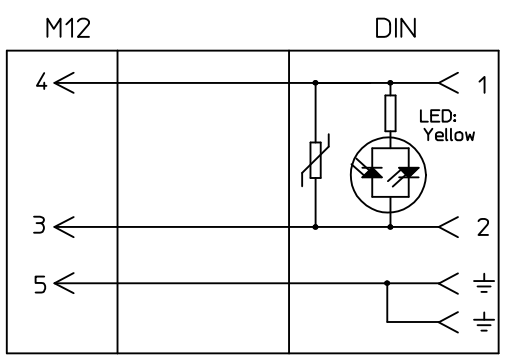
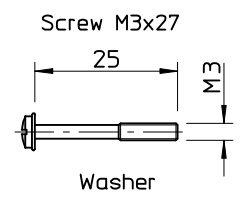
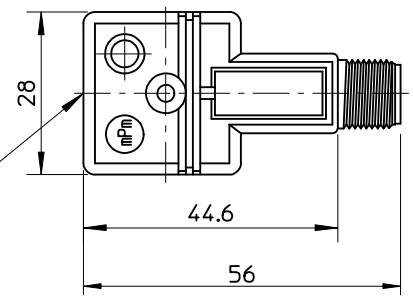
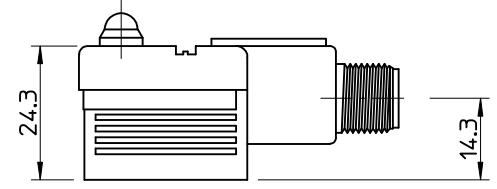
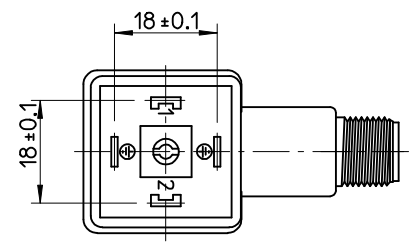
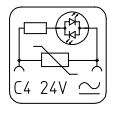


7 6 5 4 3 2 1

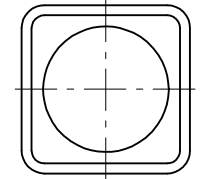
ELECTRICAL DIAGRAM
Voltage: 24V



Circuit printout C4 24V/White



NBR Black Gasket - G11



Engineering No.: E850B0

- Notes:
1. Single packing in plastic bag
 2. All dimensions are references

ORIGINAL RELEASE EC NO: IPG2014-1345 DRWN: JMARSZALEK 2013/04/19 CHKD: MSZWAJKOWSKI 2014/01/30 APPR: MIWASIECZKO 2014/01/30	QUALITY SYMBOLS ▽=0 ▽=0	GENERAL TOLERANCES (UNLESS SPECIFIED)		DIMENSION STYLE MM ONLY		SCALE -	DESIGN UNITS METRIC	FIRST ANGLE PROJECTION	
				DRAWN BY DATE JMARSZALEK 2013/04/19		TITLE DIN-A/M12-ST-ADAPTER			
				CHECKED BY DATE MSZWAJKOWSKI 2014/01/30		APPROVED BY DATE MIWASIECZKO 2014/01/30			
				MATERIAL NO. 1210370035		DOCUMENT NO. SD-121037-002			
		ANGULAR ±---°		SIZE A4		THIS DRAWING CONTAINS INFORMATION THAT IS PROPRIETARY TO MOLEX INCORPORATED AND SHOULD NOT BE USED WITHOUT WRITTEN PERMISSION			
		DRAFT WHERE APPLICABLE MUST REMAIN WITHIN DIMENSIONS							

6 5 4 3 2 1