

| ABBREVIATION | DESCRIPTION | COLOR | MATERIAL |
|-------------------|--|------------|--------------------------------|
| A-BLACK | HOUSING, KEYING OPTION A | BLACK | SPS/NYLON GF20 |
| A-BLACK-CLIP | HOUSING, KEYING OPTION A WITH CLIPSLOT | BLACK | SPS/NYLON GF20 |
| A-YELLOW | HOUSING, KEYING OPTION A | YELLOW | SPS/NYLON GF20 |
| B-LIGHT GRAY | HOUSING, KEYING OPTION B | LIGHT GRAY | SPS/NYLON GF20 |
| B-LIGHT GRAY-CLIP | HOUSING, KEYING OPTION B WITH CLIPSLOT | LIGHT GRAY | SPS/NYLON GF20 |
| C-BROWN | HOUSING, KEYING OPTION C | BROWN | SPS/NYLON GF20 |
| C-BROWN-CLIP | HOUSING, KEYING OPTION C WITH CLIPSLOT | BROWN | SPS/NYLON GF20 |
| C-DARK GRAY | HOUSING, KEYING OPTION C | DARK GRAY | SPS/NYLON GF20 |
| C-DARK GRAY-CLIP | HOUSING, KEYING OPTION C WITH CLIPSLOT | DARK GRAY | SPS/NYLON GF20 |
| CPA | CPA | RED | PBT GF30 |
| D-BLACK | HOUSING, KEYING OPTION D | BLACK | SPS/NYLON GF20 |
| D-BLACK-CLIP | HOUSING, KEYING OPTION D WITH CLIPSLOT | BLACK | SPS/NYLON GF20 |
| D-GREEN | HOUSING, KEYING OPTION D | GREEN | SPS/NYLON GF20 |
| D-GREEN-CLIP | HOUSING, KEYING OPTION D WITH CLIPSLOT | GREEN | SPS/NYLON GF20 |
| D-STONE GRAY | HOUSING, KEYING OPTION D | STONE GRAY | SPS/NYLON GF20 |
| D-STONE GRAY-CLIP | HOUSING, KEYING OPTION D WITH CLIPSLOT | STONE GRAY | SPS/NYLON GF20 |
| GCO | GROMMET CAP (OPEN) | BLACK | SPS/NYLON GF20 |
| GCP | GROMMET CAP (PLUGGED) | BLACK | SPS/NYLON GF20 |
| M | MAT SEAL | LIGHT BLUE | INHERENTLY LUBRICATED SILICONE |
| PLR | PLR | NATURAL | SPS/NYLON GF20 |
| RG | RING SEAL | GREEN | INHERENTLY LUBRICATED SILICONE |
| RR | RING SEAL | RUST RED | INHERENTLY LUBRICATED SILICONE |

FOR ADDITIONAL INFORMATION SEE SD-33472-0001

| ASSEMBLY DESCRIPTION | ASSEMBLY PART NUMBER | COMPONENT | | | | | | BLOCKED TERMINALS | | | | STATUS | COMMENT | OPTIONAL ATTACHMENTS SOLD SEPARATELY | | | |
|-------------------------------|----------------------|--|-------------|-----|-----|----------|-----------|--|---|---|---|----------------------|---------------|--------------------------------------|------------------------|-----------------------|--------------------------|
| | | THE PRESENCE OF AN ABBREVIATION INDICATES THE PRESENCE OF THAT COMPONENT | | | | | | CAVITY WITH A NUMBER INDICATES BLOCKED TERMINAL POSITION CAVITY WITHOUT A NUMBER INDICATES OPEN TERMINAL POSITION | | | | | | BACKSHELL WITH RIBS | BACKSHELL WITHOUT RIBS | 90° ADAPTOR WITH RIBS | 90° ADAPTOR WITHOUT RIBS |
| | | HOUSING KEY/COLOR | GROMMET CAP | PLR | CPA | MAT SEAL | RING SEAL | | | | | | | | | | |
| MX150 ASSY RCP 2X4 BK A/8 | 334720801 | A-BLACK | GCO | PLR | | M | RG | - | - | - | - | PLANNED OBSOLESCENCE | SEE 334724801 | N/A | N/A | N/A | N/A |
| MX150 ASSY RCP 2X4 LG B/8 | 334720802 | B-LIGHT GRAY | GCO | PLR | | M | RG | - | - | - | - | PLANNED OBSOLESCENCE | SEE 334724802 | N/A | N/A | N/A | N/A |
| MX150 ASSY RCP 2X4 BR C/8 | 334720803 | C-BROWN | GCO | PLR | | M | RG | - | - | - | - | PLANNED OBSOLESCENCE | SEE 334724879 | N/A | N/A | N/A | N/A |
| MX150 ASSY RCP 2X4 GR D/8 | 334720804 | D-GREEN | GCO | PLR | | M | RG | - | - | - | - | PLANNED OBSOLESCENCE | SEE 334724880 | N/A | N/A | N/A | N/A |
| MX150 ASSY RCP 2X4 BK D/8 | 334720805 | D-BLACK | GCO | PLR | | M | RG | - | - | - | - | PLANNED OBSOLESCENCE | SEE 334724805 | N/A | N/A | N/A | N/A |
| MX150 ASSY RCP 2X4 CPA BK A/8 | 334720806 | A-BLACK | GCO | PLR | CPA | M | RG | - | - | - | - | PLANNED OBSOLESCENCE | SEE 334724806 | N/A | N/A | N/A | N/A |
| MX150 ASSY RCP 2X4 CPA LG B/8 | 334720807 | B-LIGHT GRAY | GCO | PLR | CPA | M | RG | - | - | - | - | PLANNED OBSOLESCENCE | SEE 334724807 | N/A | N/A | N/A | N/A |
| MX150 ASSY RCP 2X4 CPA BR C/8 | 334720808 | C-BROWN | GCO | PLR | CPA | M | RG | - | - | - | - | PLANNED OBSOLESCENCE | SEE 334724881 | N/A | N/A | N/A | N/A |
| MX150 ASSY RCP 2X4 CPA GR D/8 | 334720809 | D-GREEN | GCO | PLR | CPA | M | RG | - | - | - | - | PLANNED OBSOLESCENCE | SEE 334724882 | N/A | N/A | N/A | N/A |
| MX150 ASSY RCP 2X4 BK A/7 | 334720811 | A-BLACK | GCP | PLR | | M | RG | - | - | - | 4 | PLANNED OBSOLESCENCE | SEE 334724811 | N/A | N/A | N/A | N/A |
| MX150 ASSY RCP 2X4 LG B/7 | 334720812 | B-LIGHT GRAY | GCP | PLR | | M | RG | - | - | - | 4 | PLANNED OBSOLESCENCE | SEE 334724812 | N/A | N/A | N/A | N/A |
| MX150 ASSY RCP 2X4 BR C/7 | 334720813 | C-BROWN | GCP | PLR | | M | RG | - | - | - | 4 | PLANNED OBSOLESCENCE | | N/A | N/A | N/A | N/A |
| MX150 ASSY RCP 2X4 GR D/7 | 334720814 | D-GREEN | GCP | PLR | | M | RG | - | - | - | 4 | PLANNED OBSOLESCENCE | SEE 334725026 | N/A | N/A | N/A | N/A |

| ASSEMBLY DESCRIPTION | ASSEMBLY PART NUMBER | COMPONENT | | | | | | BLOCKED TERMINALS | | | | STATUS | COMMENT | OPTIONAL ATTACHMENTS SOLD SEPARATELY | | | |
|-------------------------------|----------------------|--|-------------|-----|-----|----------|-----------|--|---|---|---|----------------------|---------------|--------------------------------------|------------------------|-----------------------|--------------------------|
| | | THE PRESENCE OF AN ABBREVIATION INDICATES THE PRESENCE OF THAT COMPONENT | | | | | | CAVITY WITH A NUMBER INDICATES BLOCKED TERMINAL POSITION CAVITY WITHOUT A NUMBER INDICATES OPEN TERMINAL POSITION | | | | | | BACKSHELL WITH RIBS | BACKSHELL WITHOUT RIBS | 90° ADAPTOR WITH RIBS | 90° ADAPTOR WITHOUT RIBS |
| | | HOUSING KEY/COLOR | GROMMET CAP | PLR | CPA | MAT SEAL | RING SEAL | | | | | | | | | | |
| MX150 ASSY RCP 2X4 CPA BK A/7 | 334720816 | A-BLACK | GCP | PLR | CPA | M | RG | - | - | - | 4 | PLANNED OBSOLESCENCE | SEE 334724816 | N/A | N/A | N/A | N/A |
| MX150 ASSY RCP 2X4 CPA LG B/7 | 334720817 | B-LIGHT GRAY | GCP | PLR | CPA | M | RG | - | - | - | 4 | PLANNED OBSOLESCENCE | SEE 334724817 | N/A | N/A | N/A | N/A |
| MX150 ASSY RCP 2X4 CPA BR C/7 | 334720818 | C-BROWN | GCP | PLR | CPA | M | RG | - | - | - | 4 | PLANNED OBSOLESCENCE | SEE 334725070 | N/A | N/A | N/A | N/A |
| MX150 ASSY RCP 2X4 CPA GR D/7 | 334720819 | D-GREEN | GCP | PLR | CPA | M | RG | - | - | - | 4 | PLANNED OBSOLESCENCE | SEE 334725009 | N/A | N/A | N/A | N/A |
| MX150 ASSY RCP 2X4 BK A/6 | 334720821 | A-BLACK | GCP | PLR | | M | RG | - | - | - | 4 | PLANNED OBSOLESCENCE | SEE 334724821 | N/A | N/A | N/A | N/A |
| MX150 ASSY RCP 2X4 LG B/6 | 334720822 | B-LIGHT GRAY | GCP | PLR | | M | RG | - | - | - | 4 | PLANNED OBSOLESCENCE | SEE 334724822 | N/A | N/A | N/A | N/A |
| MX150 ASSY RCP 2X4 BR C/6 | 334720823 | C-BROWN | GCP | PLR | | M | RG | - | - | - | 4 | PLANNED OBSOLESCENCE | | N/A | N/A | N/A | N/A |
| MX150 ASSY RCP 2X4 GR D/6 | 334720824 | D-GREEN | GCP | PLR | | M | RG | - | - | - | 4 | PLANNED OBSOLESCENCE | | N/A | N/A | N/A | N/A |
| MX150 ASSY RCP 2X4 CPA BK A/6 | 334720826 | A-BLACK | GCP | PLR | CPA | M | RG | - | - | - | 4 | PLANNED OBSOLESCENCE | SEE 334724826 | N/A | N/A | N/A | N/A |
| MX150 ASSY RCP 2X4 CPA LG B/6 | 334720827 | B-LIGHT GRAY | GCP | PLR | CPA | M | RG | - | - | - | 4 | PLANNED OBSOLESCENCE | SEE 334724827 | N/A | N/A | N/A | N/A |
| MX150 ASSY RCP 2X4 CPA BR C/6 | 334720828 | C-BROWN | GCP | PLR | CPA | M | RG | - | - | - | 4 | PLANNED OBSOLESCENCE | | N/A | N/A | N/A | N/A |
| MX150 ASSY RCP 2X4 CPA GR D/6 | 334720829 | D-GREEN | GCP | PLR | CPA | M | RG | - | - | - | 4 | PLANNED OBSOLESCENCE | SEE 334725010 | N/A | N/A | N/A | N/A |
| MX150 ASSY RCP 2X4 BK A/5 | 334720831 | A-BLACK | GCP | PLR | | M | RG | 1 | - | - | 4 | PLANNED OBSOLESCENCE | SEE 334724831 | N/A | N/A | N/A | N/A |
| MX150 ASSY RCP 2X4 LG B/5 | 334720832 | B-LIGHT GRAY | GCP | PLR | | M | RG | 1 | - | - | 4 | PLANNED OBSOLESCENCE | SEE 334724832 | N/A | N/A | N/A | N/A |
| MX150 ASSY RCP 2X4 BR C/5 | 334720833 | C-BROWN | GCP | PLR | | M | RG | 1 | - | - | 4 | PLANNED OBSOLESCENCE | | N/A | N/A | N/A | N/A |
| MX150 ASSY RCP 2X4 GR D/5 | 334720834 | D-GREEN | GCP | PLR | | M | RG | 1 | - | - | 4 | PLANNED OBSOLESCENCE | | N/A | N/A | N/A | N/A |
| MX150 ASSY RCP 2X4 CPA BK A/5 | 334720836 | A-BLACK | GCP | PLR | CPA | M | RG | 1 | - | - | 4 | PLANNED OBSOLESCENCE | SEE 334724836 | N/A | N/A | N/A | N/A |
| MX150 ASSY RCP 2X4 CPA LG B/5 | 334720837 | B-LIGHT GRAY | GCP | PLR | CPA | M | RG | 1 | - | - | 4 | PLANNED OBSOLESCENCE | SEE 334724837 | N/A | N/A | N/A | N/A |
| MX150 ASSY RCP 2X4 CPA BR C/5 | 334720838 | C-BROWN | GCP | PLR | CPA | M | RG | 1 | - | - | 4 | PLANNED OBSOLESCENCE | | N/A | N/A | N/A | N/A |
| MX150 ASSY RCP 2X4 CPA GR D/5 | 334720839 | D-GREEN | GCP | PLR | CPA | M | RG | 1 | - | - | 4 | PLANNED OBSOLESCENCE | | N/A | N/A | N/A | N/A |
| MX150 ASSY RCP 2X4 BK A/4 | 334720841 | A-BLACK | GCP | PLR | | M | RG | 1 | - | - | 4 | PLANNED OBSOLESCENCE | SEE 334724841 | N/A | N/A | N/A | N/A |
| MX150 ASSY RCP 2X4 LG B/4 | 334720842 | B-LIGHT GRAY | GCP | PLR | | M | RG | 1 | - | - | 4 | PLANNED OBSOLESCENCE | SEE 334724842 | N/A | N/A | N/A | N/A |
| MX150 ASSY RCP 2X4 BR C/4 | 334720843 | C-BROWN | GCP | PLR | | M | RG | 1 | - | - | 4 | PLANNED OBSOLESCENCE | | N/A | N/A | N/A | N/A |
| MX150 ASSY RCP 2X4 GR D/4 | 334720844 | D-GREEN | GCP | PLR | | M | RG | 1 | - | - | 4 | PLANNED OBSOLESCENCE | | N/A | N/A | N/A | N/A |
| MX150 ASSY RCP 2X4 CPA BK A/4 | 334720846 | A-BLACK | GCP | PLR | CPA | M | RG | 1 | - | - | 4 | PLANNED OBSOLESCENCE | SEE 334724846 | N/A | N/A | N/A | N/A |
| MX150 ASSY RCP 2X4 CPA LG B/4 | 334720847 | B-LIGHT GRAY | GCP | PLR | CPA | M | RG | 1 | - | - | 4 | PLANNED OBSOLESCENCE | SEE 334724847 | N/A | N/A | N/A | N/A |
| MX150 ASSY RCP 2X4 CPA BR C/4 | 334720848 | C-BROWN | GCP | PLR | CPA | M | RG | 1 | - | - | 4 | PLANNED OBSOLESCENCE | | N/A | N/A | N/A | N/A |

| ASSEMBLY DESCRIPTION | ASSEMBLY PART NUMBER | COMPONENT | | | | | | BLOCKED TERMINALS | | | | STATUS | COMMENT | OPTIONAL ATTACHMENTS SOLD SEPARATELY | | | |
|-------------------------------|----------------------|--|-------------|-----|-----|----------|-----------|--|---|---|---|----------------------|---------------|--------------------------------------|------------------------|-----------------------|--------------------------|
| | | THE PRESENCE OF AN ABBREVIATION INDICATES THE PRESENCE OF THAT COMPONENT | | | | | | CAVITY WITH A NUMBER INDICATES BLOCKED TERMINAL POSITION CAVITY WITHOUT A NUMBER INDICATES OPEN TERMINAL POSITION | | | | | | BACKSHELL WITH RIBS | BACKSHELL WITHOUT RIBS | 90° ADAPTOR WITH RIBS | 90° ADAPTOR WITHOUT RIBS |
| | | HOUSING KEY/COLOR | GROMMET CAP | PLR | CPA | MAT SEAL | RING SEAL | 1 | 2 | 3 | 4 | | | | | | |
| MX150 ASSY RCP 2X4 CPA GR D/4 | 334720849 | D-GREEN | GCP | PLR | CPA | M | RG | 1 | - | - | 4 | PLANNED OBSOLESCENCE | | N/A | N/A | N/A | N/A |
| | | | | | | | | 5 | - | - | 8 | | | | | | |
| MX150 ASSY RCP 2X4 BK A/0 | 334720851 | A-BLACK | GCP | PLR | | M | RG | 1 | 2 | 3 | 4 | PLANNED OBSOLESCENCE | SEE 334724851 | N/A | N/A | N/A | N/A |
| | | | | | | | | 5 | 6 | 7 | 8 | | | | | | |
| MX150 ASSY RCP 2X4 LG B/0 | 334720852 | B-LIGHT GRAY | GCP | PLR | | M | RG | 1 | 2 | 3 | 4 | PLANNED OBSOLESCENCE | SEE 334724852 | N/A | N/A | N/A | N/A |
| | | | | | | | | 5 | 6 | 7 | 8 | | | | | | |
| MX150 ASSY RCP 2X4 BR C/0 | 334720853 | C-BROWN | GCP | PLR | | M | RG | 1 | 2 | 3 | 4 | PLANNED OBSOLESCENCE | | N/A | N/A | N/A | N/A |
| | | | | | | | | 5 | 6 | 7 | 8 | | | | | | |
| MX150 ASSY RCP 2X4 GR D/0 | 334720854 | D-GREEN | GCP | PLR | | M | RG | 1 | 2 | 3 | 4 | PLANNED OBSOLESCENCE | SEE 334725057 | N/A | N/A | N/A | N/A |
| | | | | | | | | 5 | 6 | 7 | 8 | | | | | | |
| MX150 ASSY RCP 2X4 BK D/0 | 334720855 | D-BLACK | GCP | PLR | | M | RG | 1 | 2 | 3 | 4 | PLANNED OBSOLESCENCE | SEE 334724855 | N/A | N/A | N/A | N/A |
| | | | | | | | | 5 | 6 | 7 | 8 | | | | | | |
| MX150 ASSY RCP 2X4 CPA BK A/5 | 334720856 | A-BLACK | GCP | PLR | CPA | M | RG | - | 2 | - | - | PLANNED OBSOLESCENCE | SEE 334724856 | N/A | N/A | N/A | N/A |
| | | | | | | | | - | 6 | 7 | - | | | | | | |
| MX150 ASSY RCP 2X4 CPA BK A/3 | 334720857 | A-BLACK | GCP | PLR | CPA | M | RG | 1 | 2 | - | - | PLANNED OBSOLESCENCE | SEE 334724857 | N/A | N/A | N/A | N/A |
| | | | | | | | | 5 | 6 | 7 | - | | | | | | |
| MX150 ASSY RCP 2X4 CPA BK A/2 | 334720858 | A-BLACK | GCP | PLR | CPA | M | RG | 1 | 2 | 3 | - | PLANNED OBSOLESCENCE | SEE 334724858 | N/A | N/A | N/A | N/A |
| | | | | | | | | 5 | 6 | 7 | - | | | | | | |
| MX150 ASSY RCP 2X4 BK A/2 | 334720859 | A-BLACK | GCP | PLR | | M | RG | 1 | 2 | 3 | - | PLANNED OBSOLESCENCE | SEE 334724859 | N/A | N/A | N/A | N/A |
| | | | | | | | | - | 6 | 7 | 8 | | | | | | |
| MX150 ASSY RCP 2X4 BK D/7 | 334720860 | D-BLACK | GCP | PLR | | M | RG | - | - | - | 4 | PLANNED OBSOLESCENCE | SEE 334724860 | N/A | N/A | N/A | N/A |
| | | | | | | | | - | - | - | - | | | | | | |
| MX150 ASSY RCP 2X4 BK A/7 | 334720861 | A-BLACK | GCP | PLR | | M | RG | - | - | - | - | PLANNED OBSOLESCENCE | SEE 334724861 | N/A | N/A | N/A | N/A |
| | | | | | | | | - | - | - | 8 | | | | | | |
| MX150 ASSY RCP 2X4 BK A/7 | 334720862 | A-BLACK | GCP | PLR | | M | RG | 1 | - | - | - | PLANNED OBSOLESCENCE | SEE 334724862 | N/A | N/A | N/A | N/A |
| | | | | | | | | - | - | - | - | | | | | | |
| MX150 ASSY RCP 2X4 BK A/4 | 334720863 | A-BLACK | GCP | PLR | | M | RG | - | 2 | 3 | - | PLANNED OBSOLESCENCE | SEE 334724863 | N/A | N/A | N/A | N/A |
| | | | | | | | | 5 | - | - | 8 | | | | | | |
| MX150 ASSY RCP 2X4 BK A/5 | 334720864 | A-BLACK | GCP | PLR | | M | RG | 1 | - | 3 | - | PLANNED OBSOLESCENCE | SEE 334724864 | N/A | N/A | N/A | N/A |
| | | | | | | | | 5 | - | - | - | | | | | | |
| MX150 ASSY RCP 2X4 BK A/6 | 334720865 | A-BLACK | GCP | PLR | | M | RG | 1 | - | - | - | PLANNED OBSOLESCENCE | SEE 334724865 | N/A | N/A | N/A | N/A |
| | | | | | | | | - | 6 | - | - | | | | | | |
| MX150 ASSY RCP 2X4 BK A/3 | 334720866 | A-BLACK | GCP | PLR | | M | RG | - | 2 | 3 | - | PLANNED OBSOLESCENCE | SEE 334724866 | N/A | N/A | N/A | N/A |
| | | | | | | | | 5 | 6 | - | 8 | | | | | | |
| MX150 ASSY RCP 2X4 BK A/4 | 334720867 | A-BLACK | GCP | PLR | | M | RG | 1 | - | 3 | - | PLANNED OBSOLESCENCE | SEE 334724867 | N/A | N/A | N/A | N/A |
| | | | | | | | | 5 | 6 | - | - | | | | | | |
| MX150 ASSY RCP 2X4 BK A/5 | 334720868 | A-BLACK | GCP | PLR | | M | RG | - | - | - | - | PLANNED OBSOLESCENCE | SEE 334724868 | N/A | N/A | N/A | N/A |
| | | | | | | | | 5 | 6 | - | 8 | | | | | | |
| MX150 ASSY RCP 2X4 BK A/7 | 334720869 | A-BLACK | GCP | PLR | | M | RG | - | - | - | - | PLANNED OBSOLESCENCE | SEE 334724869 | N/A | N/A | N/A | N/A |
| | | | | | | | | - | 6 | - | - | | | | | | |
| MX150 ASSY RCP 2X4 BK A/2 | 334720870 | A-BLACK | GCP | PLR | | M | RG | 1 | - | 3 | - | PLANNED OBSOLESCENCE | SEE 334724870 | N/A | N/A | N/A | N/A |
| | | | | | | | | 5 | 6 | 7 | 8 | | | | | | |
| MX150 ASSY RCP 2X4 BK A/2 | 334720871 | A-BLACK | GCP | PLR | | M | RG | - | 2 | 3 | 4 | PLANNED OBSOLESCENCE | SEE 334724871 | N/A | N/A | N/A | N/A |
| | | | | | | | | 5 | 6 | 7 | - | | | | | | |
| MX150 ASSY RCP 2X4 BK A/6 | 334720872 | A-BLACK | GCP | PLR | | M | RG | - | - | - | - | PLANNED OBSOLESCENCE | SEE 334724872 | N/A | N/A | N/A | N/A |
| | | | | | | | | - | - | 7 | 8 | | | | | | |
| MX150 ASSY RCP 2X4 BK A/3 | 334720873 | A-BLACK | GCP | PLR | | M | RG | - | 2 | 3 | - | PLANNED OBSOLESCENCE | SEE 334724873 | N/A | N/A | N/A | N/A |
| | | | | | | | | - | 6 | 7 | 8 | | | | | | |
| MX150 ASSY RCP 2X4 BK A/6 | 334720874 | A-BLACK | GCP | PLR | | M | RG | - | 2 | 3 | - | PLANNED OBSOLESCENCE | SEE 334724874 | N/A | N/A | N/A | N/A |
| | | | | | | | | - | - | - | - | | | | | | |
| MX150 ASSY RCP 2X4 BK A/6 | 334720875 | A-BLACK | GCP | PLR | | M | RG | 1 | - | - | 4 | PLANNED OBSOLESCENCE | SEE 334724875 | N/A | N/A | N/A | N/A |
| | | | | | | | | - | - | - | - | | | | | | |
| MX150 ASSY RCP 2X4 BK A/2 | 334720876 | A-BLACK | GCP | PLR | | M | RG | - | 2 | 3 | - | PLANNED OBSOLESCENCE | SEE 334724876 | N/A | N/A | N/A | N/A |
| | | | | | | | | 5 | 6 | 7 | 8 | | | | | | |

| ASSEMBLY DESCRIPTION | ASSEMBLY PART NUMBER | COMPONENT | | | | | | BLOCKED TERMINALS | | | | STATUS | COMMENT | OPTIONAL ATTACHMENTS SOLD SEPARATELY | | | |
|----------------------------------|----------------------|--|-------------|-----|-----|----------|-----------|--|---|---|---|----------------------|---------------|--------------------------------------|------------------------|-----------------------|--------------------------|
| | | THE PRESENCE OF AN ABBREVIATION INDICATES THE PRESENCE OF THAT COMPONENT | | | | | | CAVITY WITH A NUMBER INDICATES BLOCKED TERMINAL POSITION CAVITY WITHOUT A NUMBER INDICATES OPEN TERMINAL POSITION | | | | | | BACKSHELL WITH RIBS | BACKSHELL WITHOUT RIBS | 90° ADAPTOR WITH RIBS | 90° ADAPTOR WITHOUT RIBS |
| | | HOUSING KEY/COLOR | GROMMET CAP | PLR | CPA | MAT SEAL | RING SEAL | | | | | | | | | | |
| MX150 ASSY RCP 2X4 CPA BK A/7 | 334720877 | A-BLACK | GCP | PLR | CPA | M | RG | - | - | - | - | PLANNED OBSOLESCENCE | SEE 334724877 | N/A | N/A | N/A | N/A |
| MX150 ASSY RCP 2X4 BK A/5 | 334720878 | A-BLACK | GCP | PLR | | M | RG | - | - | 3 | - | PLANNED OBSOLESCENCE | SEE 334724878 | N/A | N/A | N/A | N/A |
| MX150 ASSY RCP 2X4 DG C/8 | 334720879 | C-DARK GRAY | GCO | PLR | | M | RG | - | - | - | - | PLANNED OBSOLESCENCE | SEE 334724879 | N/A | N/A | N/A | N/A |
| MX150 ASSY RCP 2X4 SG D/8 | 334720880 | D-STONE GRAY | GCO | PLR | | M | RG | - | - | - | - | PLANNED OBSOLESCENCE | SEE 334724880 | N/A | N/A | N/A | N/A |
| MX150 ASSY RCP 2X4 CPA DG C/8 | 334720881 | C-DARK GRAY | GCO | PLR | CPA | M | RG | - | - | - | - | PLANNED OBSOLESCENCE | SEE 334724881 | N/A | N/A | N/A | N/A |
| MX150 ASSY RCP 2X4 CPA SG D/8 | 334720882 | D-STONE GRAY | GCO | PLR | CPA | M | RG | - | - | - | - | PLANNED OBSOLESCENCE | SEE 334724882 | N/A | N/A | N/A | N/A |
| MX150 ASSY RCP 2X4 BK A/2 | 334720883 | A-BLACK | GCP | PLR | | M | RG | - | 2 | 3 | 4 | PLANNED OBSOLESCENCE | SEE 334724883 | N/A | N/A | N/A | N/A |
| MX150 ASSY RCP 2X4 BK A/5 | 334720884 | A-BLACK | GCP | PLR | | M | RG | - | - | 3 | - | PLANNED OBSOLESCENCE | SEE 334724884 | N/A | N/A | N/A | N/A |
| MX150 ASSY RCP 2X4 BK A/2 | 334720885 | A-BLACK | GCP | PLR | | M | RG | - | 2 | 3 | 4 | PLANNED OBSOLESCENCE | SEE 334724885 | N/A | N/A | N/A | N/A |
| MX150 ASSY RCP 2X4 BK A/5 | 334720886 | A-BLACK | GCP | PLR | | M | RG | - | - | 3 | - | PLANNED OBSOLESCENCE | SEE 334724886 | N/A | N/A | N/A | N/A |
| MX150 ASSY RCP 2X4 CPA LG B/7 | 334720887 | B-LIGHT GRAY | GCP | PLR | CPA | M | RG | - | - | - | - | PLANNED OBSOLESCENCE | SEE 334724887 | N/A | N/A | N/A | N/A |
| MX150 ASSY RCP 2X4 LG B/6 | 334720888 | B-LIGHT GRAY | GCP | PLR | | M | RG | 1 | - | - | - | PLANNED OBSOLESCENCE | SEE 334724888 | N/A | N/A | N/A | N/A |
| MX150 ASSY RCP 2X4 BK A/6 | 334720889 | A-BLACK | GCP | PLR | | M | RG | 1 | - | - | - | PLANNED OBSOLESCENCE | SEE 334724889 | N/A | N/A | N/A | N/A |
| MX150 ASSY RCP 2X4 CPA YW A/6 | 334720890 | A-YELLOW | GCP | PLR | CPA | M | RG | - | 2 | 3 | - | PLANNED OBSOLESCENCE | SEE 334724890 | N/A | N/A | N/A | N/A |
| MX150 ASSY RCP 2X4 CPA YW A/8 | 334720891 | A-YELLOW | GCO | PLR | CPA | M | RG | - | - | - | - | PLANNED OBSOLESCENCE | SEE 334724891 | N/A | N/A | N/A | N/A |
| MX150 ASSY RCP 2X4 YW A/8 | 334720892 | A-YELLOW | GCO | PLR | | M | RG | - | - | - | - | PLANNED OBSOLESCENCE | SEE 334724892 | N/A | N/A | N/A | N/A |
| MX150 ASSY RCP 2X4 CPA BK A/7 | 334720893 | A-BLACK | GCP | PLR | CPA | M | RG | - | - | - | - | PLANNED OBSOLESCENCE | SEE 334724893 | N/A | N/A | N/A | N/A |
| MX150 ASSY RCP 2X4 CPA BK A/2 | 334720894 | A-BLACK | GCP | PLR | CPA | M | RG | 1 | 2 | 3 | - | PLANNED OBSOLESCENCE | SEE 334724894 | N/A | N/A | N/A | N/A |
| MX150 ASSY RCP 2X4 BK A/6 | 334720895 | A-BLACK | GCP | PLR | | M | RG | 1 | 2 | - | - | PLANNED OBSOLESCENCE | SEE 334724895 | N/A | N/A | N/A | N/A |
| MX150 ASSY RCP 2X4 CS BK A/8 | 334720901 | A-BLACK-CLIP | GCO | PLR | | M | RG | - | - | - | - | PLANNED OBSOLESCENCE | SEE 334724901 | 34951-0811 | 34951-0821 | 34951-0831 | 34951-0841 |
| MX150 ASSY RCP 2X4 CS LG B/8 | 334720902 | B-LIGHT GRAY-CLIP | GCO | PLR | | M | RG | - | - | - | - | PLANNED OBSOLESCENCE | SEE 334724902 | 34951-0811 | 34951-0821 | 34951-0831 | 34951-0841 |
| MX150 ASSY RCP 2X4 CS BR C/8 | 334720903 | C-BROWN-CLIP | GCO | PLR | | M | RG | - | - | - | - | PLANNED OBSOLESCENCE | SEE 334724922 | 34951-0811 | 34951-0821 | 34951-0831 | 34951-0841 |
| MX150 ASSY RCP 2X4 CS GR D/8 | 334720904 | D-GREEN-CLIP | GCO | PLR | | M | RG | - | - | - | - | PLANNED OBSOLESCENCE | SEE 334724923 | 34951-0811 | 34951-0821 | 34951-0831 | 34951-0841 |
| MX150 ASSY RCP 2X4 CS BK D/8 | 334720905 | D-BLACK-CLIP | GCO | PLR | | M | RG | - | - | - | - | PLANNED OBSOLESCENCE | SEE 334724905 | 34951-0811 | 34951-0821 | 34951-0831 | 34951-0841 |
| MX150 ASSY RCP 2X4 CS CPA BK A/8 | 334720906 | A-BLACK-CLIP | GCO | PLR | CPA | M | RG | - | - | - | - | PLANNED OBSOLESCENCE | SEE 334724906 | 34951-0811 | 34951-0821 | 34951-0831 | 34951-0841 |
| MX150 ASSY RCP 2X4 CS CPA LG B/8 | 334720907 | B-LIGHT GRAY-CLIP | GCO | PLR | CPA | M | RG | - | - | - | - | PLANNED OBSOLESCENCE | SEE 334724907 | 34951-0811 | 34951-0821 | 34951-0831 | 34951-0841 |
| MX150 ASSY RCP 2X4 CS CPA BR C/8 | 334720908 | C-BROWN-CLIP | GCO | PLR | CPA | M | RG | - | - | - | - | PLANNED OBSOLESCENCE | SEE 334724924 | 34951-0811 | 34951-0821 | 34951-0831 | 34951-0841 |

| ASSEMBLY DESCRIPTION | ASSEMBLY PART NUMBER | COMPONENT | | | | | | BLOCKED TERMINALS | | | | STATUS | COMMENT | OPTIONAL ATTACHMENTS SOLD SEPARATELY | | | |
|----------------------------------|----------------------|--|-------------|-----|-----|----------|-----------|--|---|---|---|----------------------|---------------|--------------------------------------|------------------------|-----------------------|--------------------------|
| | | THE PRESENCE OF AN ABBREVIATION INDICATES THE PRESENCE OF THAT COMPONENT | | | | | | CAVITY WITH A NUMBER INDICATES BLOCKED TERMINAL POSITION CAVITY WITHOUT A NUMBER INDICATES OPEN TERMINAL POSITION | | | | | | BACKSHELL WITH RIBS | BACKSHELL WITHOUT RIBS | 90° ADAPTOR WITH RIBS | 90° ADAPTOR WITHOUT RIBS |
| | | HOUSING KEY/COLOR | GROMMET CAP | PLR | CPA | MAT SEAL | RING SEAL | | | | | | | | | | |
| MX150 ASSY RCP 2X4 CS CPA GR D/8 | 334720909 | D-GREEN-CLIP | GCO | PLR | CPA | M | RG | - | - | - | - | PLANNED OBSOLESCENCE | SEE 334724925 | 34951-0811 | 34951-0821 | 34951-0831 | 34951-0841 |
| MX150 ASSY RCP 2X4 CS BK A/7 | 334720910 | A-BLACK-CLIP | GCP | PLR | | M | RG | - | - | - | 4 | PLANNED OBSOLESCENCE | SEE 334724910 | 34951-0811 | 34951-0821 | 34951-0831 | 34951-0841 |
| MX150 ASSY RCP 2X4 CS BK A/6 | 334720920 | A-BLACK-CLIP | GCP | PLR | | M | RG | - | - | - | 4 | PLANNED OBSOLESCENCE | SEE 334724920 | 34951-0811 | 34951-0821 | 34951-0831 | 34951-0841 |
| MX150 ASSY RCP 2X4 CS BK A/7 | 334720921 | A-BLACK-CLIP | GCP | PLR | | M | RG | - | - | - | - | PLANNED OBSOLESCENCE | SEE 334724921 | 34951-0811 | 34951-0821 | 34951-0831 | 34951-0841 |
| MX150 ASSY RCP 2X4 CS DG C/8 | 334720922 | C-DARK GRAY-CLIP | GCO | PLR | | M | RG | - | - | - | - | PLANNED OBSOLESCENCE | SEE 334724922 | 34951-0811 | 34951-0821 | 34951-0831 | 34951-0841 |
| MX150 ASSY RCP 2X4 CS SG D/8 | 334720923 | D-STONE GRAY-CLIP | GCO | PLR | | M | RG | - | - | - | - | PLANNED OBSOLESCENCE | SEE 334724923 | 34951-0811 | 34951-0821 | 34951-0831 | 34951-0841 |
| MX150 ASSY RCP 2X4 CS CPA DG C/8 | 334720924 | C-DARK GRAY-CLIP | GCO | PLR | CPA | M | RG | - | - | - | - | PLANNED OBSOLESCENCE | SEE 334724924 | 34951-0811 | 34951-0821 | 34951-0831 | 34951-0841 |
| MX150 ASSY RCP 2X4 CS CPA SG D/8 | 334720925 | D-STONE GRAY-CLIP | GCO | PLR | CPA | M | RG | - | - | - | - | PLANNED OBSOLESCENCE | SEE 334724925 | 34951-0811 | 34951-0821 | 34951-0831 | 34951-0841 |
| MX150 ASSY RCP 2X4 CS LG B/6 | 334720926 | B-LIGHT GRAY-CLIP | GCP | PLR | | M | RG | - | - | - | 4 | PLANNED OBSOLESCENCE | SEE 334724926 | 34951-0811 | 34951-0821 | 34951-0831 | 34951-0841 |
| MX150 ASSY RCP 2X4 CS CPA BK A/6 | 334720927 | A-BLACK-CLIP | GCP | PLR | CPA | M | RG | - | - | - | 4 | PLANNED OBSOLESCENCE | SEE 334724927 | 34951-0811 | 34951-0821 | 34951-0831 | 34951-0841 |
| MX150 ASSY RCP 2X4 CS CPA LG B/6 | 334720928 | B-LIGHT GRAY-CLIP | GCP | PLR | CPA | M | RG | - | - | - | 4 | PLANNED OBSOLESCENCE | SEE 334724928 | 34951-0811 | 34951-0821 | 34951-0831 | 34951-0841 |
| MX150 ASSY RCP 2X4 CS BK A/4 | 334720929 | A-BLACK-CLIP | GCP | PLR | | M | RG | - | - | - | 4 | PLANNED OBSOLESCENCE | SEE 334724929 | 34951-0811 | 34951-0821 | 34951-0831 | 34951-0841 |
| MX150 ASSY RCP 2X4 CS BK A/2 | 334720930 | A-BLACK-CLIP | GCP | PLR | | M | RG | - | 2 | 3 | 4 | PLANNED OBSOLESCENCE | SEE 334724930 | 34951-0811 | 34951-0821 | 34951-0831 | 34951-0841 |
| MX150 ASSY RCP 2X4 CS BK A/4 | 334720931 | A-BLACK-CLIP | GCP | PLR | | M | RG | 1 | 2 | 3 | - | PLANNED OBSOLESCENCE | SEE 334724931 | 34951-0811 | 34951-0821 | 34951-0831 | 34951-0841 |
| MX150 ASSY RCP 2X4 CS BK A/6 | 334720932 | A-BLACK-CLIP | GCP | PLR | | M | RG | 1 | - | - | - | PLANNED OBSOLESCENCE | SEE 334724932 | 34951-0811 | 34951-0821 | 34951-0831 | 34951-0841 |
| MX150 ASSY RCP 2X4 CS CPA BK A/7 | 334720933 | A-BLACK-CLIP | GCP | PLR | CPA | M | RG | - | - | - | - | PLANNED OBSOLESCENCE | SEE 334724933 | 34951-0811 | 34951-0821 | 34951-0831 | 34951-0841 |
| MX150 ASSY RCP 2X4 CS CPA LG B/7 | 334720934 | B-LIGHT GRAY-CLIP | GCP | PLR | CPA | M | RG | - | - | - | - | PLANNED OBSOLESCENCE | SEE 334724934 | 34951-0811 | 34951-0821 | 34951-0831 | 34951-0841 |
| MX150 ASSY RCP 2X4 CS CPA BK A/2 | 334720935 | A-BLACK-CLIP | GCP | PLR | CPA | M | RG | - | 2 | 3 | 4 | PLANNED OBSOLESCENCE | SEE 334724935 | 34951-0811 | 34951-0821 | 34951-0831 | 34951-0841 |
| MX150 ASSY RCP 2X4 CS BK A/5 | 334720936 | A-BLACK-CLIP | GCP | PLR | | M | RG | - | - | - | - | PLANNED OBSOLESCENCE | SEE 334724936 | 34951-0811 | 34951-0821 | 34951-0831 | 34951-0841 |
| MX150 ASSY RCP 2X4 CS BK A/6 | 334720937 | A-BLACK-CLIP | GCP | PLR | | M | RG | - | - | - | - | PLANNED OBSOLESCENCE | SEE 334724937 | 34951-0811 | 34951-0821 | 34951-0831 | 34951-0841 |
| MX150 ASSY RCP 2X4 CS BK A/7 | 334720938 | A-BLACK-CLIP | GCP | PLR | | M | RG | - | - | - | - | PLANNED OBSOLESCENCE | SEE 334724938 | 34951-0811 | 34951-0821 | 34951-0831 | 34951-0841 |
| MX150 ASSY RCP 2X4 CS BK A/3 | 334720939 | A-BLACK-CLIP | GCP | PLR | | M | RG | - | - | - | 4 | PLANNED OBSOLESCENCE | SEE 334724939 | 34951-0811 | 34951-0821 | 34951-0831 | 34951-0841 |
| MX150 ASSY RCP 2X4 CS BK A/4 | 334720940 | A-BLACK-CLIP | GCP | PLR | | M | RG | 1 | 2 | - | - | PLANNED OBSOLESCENCE | SEE 334724940 | 34951-0811 | 34951-0821 | 34951-0831 | 34951-0841 |
| MX150 ASSY RCP 2X4 CS BK A/2 | 334720941 | A-BLACK-CLIP | GCP | PLR | | M | RG | 1 | 2 | 3 | 4 | PLANNED OBSOLESCENCE | SEE 334724941 | 34951-0811 | 34951-0821 | 34951-0831 | 34951-0841 |
| MX150 ASSY RCP 2X4 CS BK A/5 | 334720944 | A-BLACK-CLIP | GCP | PLR | | M | RG | - | - | - | 4 | PLANNED OBSOLESCENCE | SEE 334724944 | 34951-0811 | 34951-0821 | 34951-0831 | 34951-0841 |
| MX150 ASSY RCP 2X4 CS BK A/7 | 334720945 | A-BLACK-CLIP | GCP | PLR | | M | RG | - | - | - | - | PLANNED OBSOLESCENCE | SEE 334724945 | 34951-0811 | 34951-0821 | 34951-0831 | 34951-0841 |
| MX150 ASSY RCP 2X4 CS BK A/6 | 334720946 | A-BLACK-CLIP | GCP | PLR | | M | RG | - | - | 3 | - | PLANNED OBSOLESCENCE | SEE 334724946 | 34951-0811 | 34951-0821 | 34951-0831 | 34951-0841 |

| ASSEMBLY DESCRIPTION | ASSEMBLY PART NUMBER | COMPONENT | | | | | | BLOCKED TERMINALS | | | | STATUS | COMMENT | OPTIONAL ATTACHMENTS SOLD SEPARATELY | | | |
|-------------------------------|----------------------|--|-------------|-----|-----|----------|-----------|--|---|---|---|----------------------|---------------|--------------------------------------|------------------------|-----------------------|--------------------------|
| | | THE PRESENCE OF AN ABBREVIATION INDICATES THE PRESENCE OF THAT COMPONENT | | | | | | CAVITY WITH A NUMBER INDICATES BLOCKED TERMINAL POSITION CAVITY WITHOUT A NUMBER INDICATES OPEN TERMINAL POSITION | | | | | | BACKSHELL WITH RIBS | BACKSHELL WITHOUT RIBS | 90° ADAPTOR WITH RIBS | 90° ADAPTOR WITHOUT RIBS |
| | | HOUSING KEY/COLOR | GROMMET CAP | PLR | CPA | MAT SEAL | RING SEAL | 1 | 2 | 3 | 4 | | | | | | |
| MX150 ASSY RCP 2X4 BK A/4 | 334721001 | A-BLACK | GCP | PLR | | M | RG | 1 | 2 | 3 | 4 | PLANNED OBSOLESCENCE | SEE 334725001 | N/A | N/A | N/A | N/A |
| MX150 ASSY RCP 2X4 LG B/7 | 334721002 | B-LIGHT GRAY | GCP | PLR | | M | RG | - | - | - | - | PLANNED OBSOLESCENCE | SEE 334725002 | N/A | N/A | N/A | N/A |
| MX150 ASSY RCP 2X4 BK A/6 | 334721003 | A-BLACK | GCP | PLR | | M | RG | 1 | - | - | 4 | PLANNED OBSOLESCENCE | SEE 334724875 | N/A | N/A | N/A | N/A |
| MX150 ASSY RCP 2X4 BK A/2 | 334721004 | A-BLACK | GCP | PLR | | M | RG | - | 2 | 3 | - | PLANNED OBSOLESCENCE | SEE 334724876 | N/A | N/A | N/A | N/A |
| MX150 ASSY RCP 2X4 CPA BK A/7 | 334721005 | A-BLACK | GCP | PLR | CPA | M | RG | - | - | - | - | PLANNED OBSOLESCENCE | SEE 334724877 | N/A | N/A | N/A | N/A |
| MX150 ASSY RCP 2X4 BK A/2 | 334721006 | A-BLACK | GCP | PLR | | M | RG | 1 | 2 | 3 | 4 | PLANNED OBSOLESCENCE | SEE 334725006 | N/A | N/A | N/A | N/A |
| MX150 ASSY RCP 2X4 CPA BK A/6 | 334721007 | A-BLACK | GCP | PLR | CPA | M | RG | - | - | - | - | PLANNED OBSOLESCENCE | SEE 334725007 | N/A | N/A | N/A | N/A |
| MX150 ASSY RCP 2X4 CPA BK A/7 | 334721008 | A-BLACK | GCP | PLR | CPA | M | RG | - | - | - | - | PLANNED OBSOLESCENCE | SEE 334725008 | N/A | N/A | N/A | N/A |
| MX150 ASSY RCP 2X4 CPA SG D/7 | 334721009 | D-STONE GRAY | GCP | PLR | CPA | M | RG | - | - | - | 4 | PLANNED OBSOLESCENCE | SEE 334725009 | N/A | N/A | N/A | N/A |
| MX150 ASSY RCP 2X4 CPA SG D/6 | 334721010 | D-STONE GRAY | GCP | PLR | CPA | M | RG | - | - | - | 4 | PLANNED OBSOLESCENCE | SEE 334725010 | N/A | N/A | N/A | N/A |
| MX150 ASSY RCP 2X4 CPA SG D/5 | 334721011 | D-STONE GRAY | GCP | PLR | CPA | M | RG | - | - | - | 4 | PLANNED OBSOLESCENCE | SEE 334725011 | N/A | N/A | N/A | N/A |
| MX150 ASSY RCP 2X4 BK A/5 | 334721012 | A-BLACK | GCP | PLR | | M | RG | - | - | - | 4 | PLANNED OBSOLESCENCE | SEE 334725012 | N/A | N/A | N/A | N/A |
| MX150 ASSY RCP 2X4 CPA BK A/2 | 334721013 | A-BLACK | GCP | PLR | CPA | M | RG | - | - | 3 | 4 | PLANNED OBSOLESCENCE | SEE 334725013 | N/A | N/A | N/A | N/A |
| MX150 ASSY RCP 2X4 BK A/2 | 334721014 | A-BLACK | GCP | PLR | | M | RG | - | - | 3 | 4 | PLANNED OBSOLESCENCE | SEE 334725014 | N/A | N/A | N/A | N/A |
| MX150 ASSY RCP 2X4 CPA BK A/5 | 334721015 | A-BLACK | GCP | PLR | CPA | M | RG | - | - | - | 4 | PLANNED OBSOLESCENCE | SEE 334725015 | N/A | N/A | N/A | N/A |
| MX150 ASSY RCP 2X4 BK A/5 | 334721016 | A-BLACK | GCP | PLR | | M | RG | - | - | - | - | PLANNED OBSOLESCENCE | SEE 334725016 | N/A | N/A | N/A | N/A |
| MX150 ASSY RCP 2X4 BK A/4 | 334721017 | A-BLACK | GCP | PLR | | M | RG | 1 | - | 3 | 4 | PLANNED OBSOLESCENCE | SEE 334725017 | N/A | N/A | N/A | N/A |
| MX150 ASSY RCP 2X4 CPA BK A/4 | 334721018 | A-BLACK | GCP | PLR | CPA | M | RG | - | - | - | - | PLANNED OBSOLESCENCE | SEE 334725018 | N/A | N/A | N/A | N/A |
| MX150 ASSY RCP 2X4 CPA BK A/6 | 334721019 | A-BLACK | GCP | PLR | CPA | M | RG | - | - | - | - | PLANNED OBSOLESCENCE | SEE 334725019 | N/A | N/A | N/A | N/A |
| MX150 ASSY RCP 2X4 CPA BK A/2 | 334721020 | A-BLACK | GCP | PLR | CPA | M | RG | - | 2 | 3 | 4 | PLANNED OBSOLESCENCE | SEE 334725020 | N/A | N/A | N/A | N/A |
| MX150 ASSY RCP 2X4 CPA BK A/0 | 334721021 | A-BLACK | GCP | PLR | CPA | M | RG | 1 | 2 | 3 | 4 | PLANNED OBSOLESCENCE | SEE 334725021 | N/A | N/A | N/A | N/A |
| MX150 ASSY RCP 2X4 CPA BK A/6 | 334721022 | A-BLACK | GCP | PLR | CPA | M | RG | 5 | 6 | 7 | 8 | PLANNED OBSOLESCENCE | SEE 334725022 | N/A | N/A | N/A | N/A |
| MX150 ASSY RCP 2X4 BK A/4 | 334721023 | A-BLACK | GCP | PLR | | M | RG | - | - | - | - | PLANNED OBSOLESCENCE | SEE 334725023 | N/A | N/A | N/A | N/A |
| MX150 ASSY RCP 2X4 BK A/6 | 334721024 | A-BLACK | GCP | PLR | | M | RG | 5 | 6 | 7 | 8 | PLANNED OBSOLESCENCE | SEE 334725024 | N/A | N/A | N/A | N/A |
| MX150 ASSY RCP 2X4 SG D/5 | 334721025 | D-STONE GRAY | GCP | PLR | | M | RG | - | - | 3 | 4 | PLANNED OBSOLESCENCE | SEE 334725024 | N/A | N/A | N/A | N/A |
| MX150 ASSY RCP 2X4 SG D/7 | 334721026 | D-STONE GRAY | GCP | PLR | | M | RG | - | - | - | 4 | PLANNED OBSOLESCENCE | SEE 334725025 | N/A | N/A | N/A | N/A |
| MX150 ASSY RCP 2X4 LG B/6 | 334721027 | B-LIGHT GRAY | GCP | PLR | | M | RG | 5 | 6 | - | - | PLANNED OBSOLESCENCE | SEE 334725026 | N/A | N/A | N/A | N/A |
| | | | | | | | | - | - | 7 | 8 | PLANNED OBSOLESCENCE | SEE 334725027 | N/A | N/A | N/A | N/A |

| ASSEMBLY DESCRIPTION | ASSEMBLY PART NUMBER | COMPONENT | | | | | | BLOCKED TERMINALS | | | | STATUS | COMMENT | OPTIONAL ATTACHMENTS SOLD SEPARATELY | | | |
|-------------------------------|----------------------|--|-------------|-----|-----|----------|-----------|--|---|---|---|----------------------|---------------|--------------------------------------|------------------------|-----------------------|--------------------------|
| | | THE PRESENCE OF AN ABBREVIATION INDICATES THE PRESENCE OF THAT COMPONENT | | | | | | CAVITY WITH A NUMBER INDICATES BLOCKED TERMINAL POSITION CAVITY WITHOUT A NUMBER INDICATES OPEN TERMINAL POSITION | | | | | | BACKSHELL WITH RIBS | BACKSHELL WITHOUT RIBS | 90° ADAPTOR WITH RIBS | 90° ADAPTOR WITHOUT RIBS |
| | | HOUSING KEY/COLOR | GROMMET CAP | PLR | CPA | MAT SEAL | RING SEAL | 1 | 2 | 3 | 4 | | | | | | |
| MX150 ASSY RCP 2X4 BK A/2 | 334721028 | A-BLACK | GCP | PLR | | M | RG | 1 | 2 | 3 | 4 | PLANNED OBSOLESCENCE | SEE 334725028 | N/A | N/A | N/A | N/A |
| | | | | | | | | - | - | 7 | 8 | | | | | | |
| MX150 ASSY RCP 2X4 BK A/5 | 334721029 | A-BLACK | GCP | PLR | | M | RG | - | - | 3 | 4 | PLANNED OBSOLESCENCE | SEE 334725029 | N/A | N/A | N/A | N/A |
| | | | | | | | | - | - | - | 8 | | | | | | |
| MX150 ASSY RCP 2X4 BK A/2 | 334721030 | A-BLACK | GCP | PLR | | M | RG | 1 | 2 | 3 | 4 | PLANNED OBSOLESCENCE | SEE 334725030 | N/A | N/A | N/A | N/A |
| | | | | | | | | 5 | - | 7 | - | | | | | | |
| MX150 ASSY RCP 2X4 BK A/7 | 334721031 | A-BLACK | GCP | PLR | | M | RG | - | - | - | - | PLANNED OBSOLESCENCE | SEE 334725031 | N/A | N/A | N/A | N/A |
| | | | | | | | | 5 | - | - | - | | | | | | |
| MX150 ASSY RCP 2X4 BK A/6 | 334721032 | A-BLACK | GCP | PLR | | M | RG | - | 2 | - | - | PLANNED OBSOLESCENCE | SEE 334725032 | N/A | N/A | N/A | N/A |
| | | | | | | | | 5 | - | - | - | | | | | | |
| MX150 ASSY RCP 2X4 LG B/5 | 334721033 | B-LIGHT GRAY | GCP | PLR | | M | RG | 1 | - | 3 | - | PLANNED OBSOLESCENCE | SEE 334725033 | N/A | N/A | N/A | N/A |
| | | | | | | | | - | - | - | 8 | | | | | | |
| MX150 ASSY RCP 2X4 LG B/6 | 334721034 | B-LIGHT GRAY | GCP | PLR | | M | RG | - | - | 3 | - | PLANNED OBSOLESCENCE | SEE 334725034 | N/A | N/A | N/A | N/A |
| | | | | | | | | - | - | - | 8 | | | | | | |
| MX150 ASSY RCP 2X4 LG B/7 | 334721035 | B-LIGHT GRAY | GCP | PLR | | M | RG | 1 | - | - | - | PLANNED OBSOLESCENCE | SEE 334725035 | N/A | N/A | N/A | N/A |
| | | | | | | | | - | - | - | - | | | | | | |
| MX150 ASSY RCP 2X4 BK A/6 | 334721036 | A-BLACK | GCP | PLR | | M | RG | 1 | - | - | - | PLANNED OBSOLESCENCE | SEE 334725036 | N/A | N/A | N/A | N/A |
| | | | | | | | | - | - | - | 8 | | | | | | |
| MX150 ASSY RCP 2X4 BK A/6 | 334721037 | A-BLACK | GCP | PLR | | M | RG | - | - | - | - | PLANNED OBSOLESCENCE | SEE 334725037 | N/A | N/A | N/A | N/A |
| | | | | | | | | - | 6 | - | 8 | | | | | | |
| MX150 ASSY RCP 2X4 BK A/2 | 334721038 | A-BLACK | GCP | PLR | | M | RG | 1 | - | - | 4 | PLANNED OBSOLESCENCE | SEE 334725038 | N/A | N/A | N/A | N/A |
| | | | | | | | | 5 | 6 | 7 | 8 | | | | | | |
| MX150 ASSY RCP 2X4 BK A/6 | 334721039 | A-BLACK | GCP | PLR | | M | RG | - | 2 | - | - | PLANNED OBSOLESCENCE | SEE 334725039 | N/A | N/A | N/A | N/A |
| | | | | | | | | - | - | 7 | - | | | | | | |
| MX150 ASSY RCP 2X4 LG B/6 | 334721040 | B-LIGHT GRAY | GCP | PLR | | M | RG | - | - | - | - | PLANNED OBSOLESCENCE | SEE 334725040 | N/A | N/A | N/A | N/A |
| | | | | | | | | 5 | - | 7 | - | | | | | | |
| MX150 ASSY RCP 2X4 BK A/3 | 334721041 | A-BLACK | GCP | PLR | | M | RG | - | - | - | 4 | PLANNED OBSOLESCENCE | SEE 334725041 | N/A | N/A | N/A | N/A |
| | | | | | | | | 5 | 6 | 7 | 8 | | | | | | |
| MX150 ASSY RCP 2X4 BK A/6 | 334721042 | A-BLACK | GCP | PLR | | M | RG | - | - | - | - | PLANNED OBSOLESCENCE | SEE 334725042 | N/A | N/A | N/A | N/A |
| | | | | | | | | 5 | - | - | 8 | | | | | | |
| MX150 ASSY RCP 2X4 BK A/4 | 334721043 | A-BLACK | GCP | PLR | | M | RG | - | 2 | - | 4 | PLANNED OBSOLESCENCE | SEE 334725043 | N/A | N/A | N/A | N/A |
| | | | | | | | | 5 | 6 | - | - | | | | | | |
| MX150 ASSY RCP 2X4 BK A/2 | 334721044 | A-BLACK | GCP | PLR | | M | RG | 1 | 2 | 3 | 4 | PLANNED OBSOLESCENCE | SEE 334725044 | N/A | N/A | N/A | N/A |
| | | | | | | | | - | 6 | 7 | - | | | | | | |
| MX150 ASSY RCP 2X4 BK A/6 | 334721045 | A-BLACK | GCP | PLR | | M | RG | - | - | - | 4 | PLANNED OBSOLESCENCE | SEE 334725045 | N/A | N/A | N/A | N/A |
| | | | | | | | | - | 6 | - | - | | | | | | |
| MX150 ASSY RCP 2X4 CPA BK A/6 | 334721046 | A-BLACK | GCP | PLR | CPA | M | RG | 1 | - | - | - | PLANNED OBSOLESCENCE | SEE 334725046 | N/A | N/A | N/A | N/A |
| | | | | | | | | - | - | 7 | - | | | | | | |
| MX150 ASSY RCP 2X4 LG B/7 | 334721047 | B-LIGHT GRAY | GCP | PLR | | M | RG | - | - | - | - | PLANNED OBSOLESCENCE | SEE 334725047 | N/A | N/A | N/A | N/A |
| | | | | | | | | 5 | - | - | - | | | | | | |
| MX150 ASSY RCP 2X4 BK A/3 | 334721048 | A-BLACK | GCP | PLR | | M | RG | 1 | 2 | - | - | PLANNED OBSOLESCENCE | SEE 334725048 | N/A | N/A | N/A | N/A |
| | | | | | | | | 5 | 6 | - | 8 | | | | | | |
| MX150 ASSY RCP 2X4 BK A/5 | 334721049 | A-BLACK | GCP | PLR | | M | RG | 1 | 2 | - | - | PLANNED OBSOLESCENCE | SEE 334725049 | N/A | N/A | N/A | N/A |
| | | | | | | | | - | - | - | 8 | | | | | | |
| MX150 ASSY RCP 2X4 BK A/5 | 334721050 | A-BLACK | GCP | PLR | | M | RG | - | - | - | 4 | PLANNED OBSOLESCENCE | SEE 334725050 | N/A | N/A | N/A | N/A |
| | | | | | | | | 5 | 6 | - | - | | | | | | |
| MX150 ASSY RCP 2X4 BK A/4 | 334721051 | A-BLACK | GCP | PLR | | M | RG | 1 | 2 | 3 | - | PLANNED OBSOLESCENCE | SEE 334725051 | N/A | N/A | N/A | N/A |
| | | | | | | | | - | 6 | - | - | | | | | | |
| MX150 ASSY RCP 2X4 BK A/4 | 334721052 | A-BLACK | GCP | PLR | | M | RG | - | - | - | 4 | PLANNED OBSOLESCENCE | SEE 334725052 | N/A | N/A | N/A | N/A |
| | | | | | | | | 5 | - | 7 | 8 | | | | | | |
| MX150 ASSY RCP 2X4 BK A/4 | 334721053 | A-BLACK | GCP | PLR | | M | RG | - | - | 3 | 4 | PLANNED OBSOLESCENCE | SEE 334725053 | N/A | N/A | N/A | N/A |
| | | | | | | | | - | - | 7 | 8 | | | | | | |
| MX150 ASSY RCP 2X4 BK A/3 | 334721054 | A-BLACK | GCP | PLR | | M | RG | 1 | - | 3 | 4 | PLANNED OBSOLESCENCE | SEE 334725054 | N/A | N/A | N/A | N/A |
| | | | | | | | | - | - | 7 | 8 | | | | | | |

| ASSEMBLY DESCRIPTION | ASSEMBLY PART NUMBER | COMPONENT | | | | | | BLOCKED TERMINALS | | | | STATUS | COMMENT | OPTIONAL ATTACHMENTS SOLD SEPARATELY | | | |
|-------------------------------|----------------------|--|-------------|-----|-----|----------|-----------|--|---|---|---|----------------------|---------------|--------------------------------------|------------------------|-----------------------|--------------------------|
| | | THE PRESENCE OF AN ABBREVIATION INDICATES THE PRESENCE OF THAT COMPONENT | | | | | | CAVITY WITH A NUMBER INDICATES BLOCKED TERMINAL POSITION CAVITY WITHOUT A NUMBER INDICATES OPEN TERMINAL POSITION | | | | | | BACKSHELL WITH RIBS | BACKSHELL WITHOUT RIBS | 90° ADAPTOR WITH RIBS | 90° ADAPTOR WITHOUT RIBS |
| | | HOUSING KEY/COLOR | GROMMET CAP | PLR | CPA | MAT SEAL | RING SEAL | | | | | | | | | | |
| MX150 ASSY RCP 2X4 BK A/6 | 334721055 | A-BLACK | GCP | PLR | | M | RG | - | - | - | 4 | PLANNED OBSOLESCENCE | SEE 334725055 | N/A | N/A | N/A | N/A |
| | | | | | | | | - | - | - | 8 | | | | | | |
| MX150 ASSY RCP 2X4 BK A/5 | 334721056 | A-BLACK | GCP | PLR | | M | RG | - | - | - | 4 | PLANNED OBSOLESCENCE | SEE 334725056 | N/A | N/A | N/A | N/A |
| | | | | | | | | 5 | - | - | 8 | | | | | | |
| MX150 ASSY RCP 2X4 SG D/0 | 334721057 | D-STONE GRAY | GCP | PLR | | M | RG | 1 | 2 | 3 | 4 | PLANNED OBSOLESCENCE | SEE 334725057 | N/A | N/A | N/A | N/A |
| | | | | | | | | 5 | 6 | 7 | 8 | | | | | | |
| MX150 ASSY RCP 2X4 CPA BK A/5 | 334721058 | A-BLACK | GCP | PLR | CPA | M | RG | - | 2 | - | - | PLANNED OBSOLESCENCE | SEE 334725058 | N/A | N/A | N/A | N/A |
| | | | | | | | | 5 | - | - | 8 | | | | | | |
| MX150 ASSY RCP 2X4 LG B/6 | 334721059 | B-LIGHT GRAY | GCP | PLR | | M | RG | - | 2 | - | - | PLANNED OBSOLESCENCE | SEE 334725059 | N/A | N/A | N/A | N/A |
| | | | | | | | | - | - | 7 | - | | | | | | |
| MX150 ASSY RCP 2X4 LG B/7 | 334721060 | B-LIGHT GRAY | GCP | PLR | | M | RG | - | 2 | - | - | PLANNED OBSOLESCENCE | SEE 334725060 | N/A | N/A | N/A | N/A |
| | | | | | | | | - | - | - | - | | | | | | |
| MX150 ASSY RCP 2X4 BK A/2 | 334721061 | A-BLACK | GCP | PLR | | M | RG | - | 2 | 3 | 4 | PLANNED OBSOLESCENCE | SEE 334725061 | N/A | N/A | N/A | N/A |
| | | | | | | | | - | 6 | 7 | 8 | | | | | | |
| MX150 ASSY RCP 2X4 BK A/4 | 334721062 | A-BLACK | GCP | PLR | | M | RG | - | 2 | 3 | - | PLANNED OBSOLESCENCE | SEE 334725062 | N/A | N/A | N/A | N/A |
| | | | | | | | | - | 6 | 7 | - | | | | | | |
| MX150 ASSY RCP 2X4 BK A/8 | 334724801 | A-BLACK | GCO | PLR | | M | RR | - | - | - | - | SALEABLE | | N/A | N/A | N/A | N/A |
| | | | | | | | | - | - | - | - | | | | | | |
| MX150 ASSY RCP 2X4 LG B/8 | 334724802 | B-LIGHT GRAY | GCO | PLR | | M | RR | - | - | - | - | SALEABLE | | N/A | N/A | N/A | N/A |
| | | | | | | | | - | - | - | - | | | | | | |
| MX150 ASSY RCP 2X4 BR C/8 | 334724803 | C-BROWN | GCO | PLR | | M | RR | - | - | - | - | NOT RECOMMENDED | SEE 334724879 | N/A | N/A | N/A | N/A |
| | | | | | | | | - | - | - | - | | | | | | |
| MX150 ASSY RCP 2X4 GR D/8 | 334724804 | D-GREEN | GCO | PLR | | M | RR | - | - | - | - | NOT RECOMMENDED | SEE 334724880 | N/A | N/A | N/A | N/A |
| | | | | | | | | - | - | - | - | | | | | | |
| MX150 ASSY RCP 2X4 BK D/8 | 334724805 | D-BLACK | GCO | PLR | | M | RR | - | - | - | - | SALEABLE | | N/A | N/A | N/A | N/A |
| | | | | | | | | - | - | - | - | | | | | | |
| MX150 ASSY RCP 2X4 CPA BK A/8 | 334724806 | A-BLACK | GCO | PLR | CPA | M | RR | - | - | - | - | SALEABLE | | N/A | N/A | N/A | N/A |
| | | | | | | | | - | - | - | - | | | | | | |
| MX150 ASSY RCP 2X4 CPA LG B/8 | 334724807 | B-LIGHT GRAY | GCO | PLR | CPA | M | RR | - | - | - | - | SALEABLE | | N/A | N/A | N/A | N/A |
| | | | | | | | | - | - | - | - | | | | | | |
| MX150 ASSY RCP 2X4 CPA BR C/8 | 334724808 | C-BROWN | GCO | PLR | CPA | M | RR | - | - | - | - | NOT RECOMMENDED | SEE 334724881 | N/A | N/A | N/A | N/A |
| | | | | | | | | - | - | - | - | | | | | | |
| MX150 ASSY RCP 2X4 CPA GR D/8 | 334724809 | D-GREEN | GCO | PLR | CPA | M | RR | - | - | - | - | NOT RECOMMENDED | SEE 334724882 | N/A | N/A | N/A | N/A |
| | | | | | | | | - | - | - | - | | | | | | |
| MX150 ASSY RCP 2X4 BK A/7 | 334724811 | A-BLACK | GCP | PLR | | M | RR | - | - | - | 4 | SALEABLE | | N/A | N/A | N/A | N/A |
| | | | | | | | | - | - | - | - | | | | | | |
| MX150 ASSY RCP 2X4 LG B/7 | 334724812 | B-LIGHT GRAY | GCP | PLR | | M | RR | - | - | - | 4 | SALEABLE | | N/A | N/A | N/A | N/A |
| | | | | | | | | - | - | - | - | | | | | | |
| MX150 ASSY RCP 2X4 BR C/7 | 334724813 | C-BROWN | GCP | PLR | | M | RR | - | - | - | 4 | NOT RECOMMENDED | | N/A | N/A | N/A | N/A |
| | | | | | | | | - | - | - | - | | | | | | |
| MX150 ASSY RCP 2X4 GR D/7 | 334724814 | D-GREEN | GCP | PLR | | M | RR | - | - | - | 4 | NOT RECOMMENDED | SEE 334725026 | N/A | N/A | N/A | N/A |
| | | | | | | | | - | - | - | - | | | | | | |
| MX150 ASSY RCP 2X4 CPA BK A/7 | 334724816 | A-BLACK | GCP | PLR | CPA | M | RR | - | - | - | 4 | SALEABLE | | N/A | N/A | N/A | N/A |
| | | | | | | | | - | - | - | - | | | | | | |
| MX150 ASSY RCP 2X4 CPA LG B/7 | 334724817 | B-LIGHT GRAY | GCP | PLR | CPA | M | RR | - | - | - | 4 | SALEABLE | | N/A | N/A | N/A | N/A |
| | | | | | | | | - | - | - | - | | | | | | |
| MX150 ASSY RCP 2X4 CPA BR C/7 | 334724818 | C-BROWN | GCP | PLR | CPA | M | RR | - | - | - | 4 | NOT RECOMMENDED | SEE 334725070 | N/A | N/A | N/A | N/A |
| | | | | | | | | - | - | - | - | | | | | | |
| MX150 ASSY RCP 2X4 CPA GR D/7 | 334724819 | D-GREEN | GCP | PLR | CPA | M | RR | - | - | - | 4 | NOT RECOMMENDED | SEE 334725009 | N/A | N/A | N/A | N/A |
| | | | | | | | | - | - | - | - | | | | | | |
| MX150 ASSY RCP 2X4 BK A/6 | 334724821 | A-BLACK | GCP | PLR | | M | RR | - | - | - | 4 | SALEABLE | | N/A | N/A | N/A | N/A |
| | | | | | | | | 5 | - | - | - | | | | | | |
| MX150 ASSY RCP 2X4 LG B/6 | 334724822 | B-LIGHT GRAY | GCP | PLR | | M | RR | - | - | - | 4 | SALEABLE | | N/A | N/A | N/A | N/A |
| | | | | | | | | 5 | - | - | - | | | | | | |

| ASSEMBLY DESCRIPTION | ASSEMBLY PART NUMBER | COMPONENT | | | | | | BLOCKED TERMINALS | | | | STATUS | COMMENT | OPTIONAL ATTACHMENTS SOLD SEPARATELY | | | |
|-------------------------------|----------------------|--|-------------|-----|-----|----------|-----------|--|---|---|---|-----------------|---------------|--------------------------------------|------------------------|-----------------------|--------------------------|
| | | THE PRESENCE OF AN ABBREVIATION INDICATES THE PRESENCE OF THAT COMPONENT | | | | | | CAVITY WITH A NUMBER INDICATES BLOCKED TERMINAL POSITION CAVITY WITHOUT A NUMBER INDICATES OPEN TERMINAL POSITION | | | | | | BACKSHELL WITH RIBS | BACKSHELL WITHOUT RIBS | 90° ADAPTOR WITH RIBS | 90° ADAPTOR WITHOUT RIBS |
| | | HOUSING KEY/COLOR | GROMMET CAP | PLR | CPA | MAT SEAL | RING SEAL | | | | | | | | | | |
| MX150 ASSY RCP 2X4 BR C/6 | 334724823 | C-BROWN | GCP | PLR | | M | RR | - | - | - | 4 | NOT RECOMMENDED | | N/A | N/A | N/A | N/A |
| | | | | | | | | 5 | - | - | - | | | | | | |
| MX150 ASSY RCP 2X4 GR D/6 | 334724824 | D-GREEN | GCP | PLR | | M | RR | - | - | - | 4 | NOT RECOMMENDED | | N/A | N/A | N/A | N/A |
| | | | | | | | | 5 | - | - | - | | | | | | |
| MX150 ASSY RCP 2X4 CPA BK A/6 | 334724826 | A-BLACK | GCP | PLR | CPA | M | RR | - | - | - | 4 | SALEABLE | | N/A | N/A | N/A | N/A |
| | | | | | | | | 5 | - | - | - | | | | | | |
| MX150 ASSY RCP 2X4 CPA LG B/6 | 334724827 | B-LIGHT GRAY | GCP | PLR | CPA | M | RR | - | - | - | 4 | SALEABLE | | N/A | N/A | N/A | N/A |
| | | | | | | | | 5 | - | - | - | | | | | | |
| MX150 ASSY RCP 2X4 CPA BR C/6 | 334724828 | C-BROWN | GCP | PLR | CPA | M | RR | - | - | - | 4 | NOT RECOMMENDED | | N/A | N/A | N/A | N/A |
| | | | | | | | | 5 | - | - | - | | | | | | |
| MX150 ASSY RCP 2X4 CPA GR D/6 | 334724829 | D-GREEN | GCP | PLR | CPA | M | RR | - | - | - | 4 | NOT RECOMMENDED | SEE 334725010 | N/A | N/A | N/A | N/A |
| | | | | | | | | 5 | - | - | - | | | | | | |
| MX150 ASSY RCP 2X4 BK A/5 | 334724831 | A-BLACK | GCP | PLR | | M | RR | 1 | - | - | 4 | SALEABLE | | N/A | N/A | N/A | N/A |
| | | | | | | | | 5 | - | - | - | | | | | | |
| MX150 ASSY RCP 2X4 LG B/5 | 334724832 | B-LIGHT GRAY | GCP | PLR | | M | RR | 1 | - | - | 4 | SALEABLE | | N/A | N/A | N/A | N/A |
| | | | | | | | | 5 | - | - | - | | | | | | |
| MX150 ASSY RCP 2X4 BR C/5 | 334724833 | C-BROWN | GCP | PLR | | M | RR | 1 | - | - | 4 | NOT RECOMMENDED | | N/A | N/A | N/A | N/A |
| | | | | | | | | 5 | - | - | - | | | | | | |
| MX150 ASSY RCP 2X4 GR D/5 | 334724834 | D-GREEN | GCP | PLR | | M | RR | 1 | - | - | 4 | NOT RECOMMENDED | | N/A | N/A | N/A | N/A |
| | | | | | | | | 5 | - | - | - | | | | | | |
| MX150 ASSY RCP 2X4 CPA BK A/5 | 334724836 | A-BLACK | GCP | PLR | CPA | M | RR | 1 | - | - | 4 | SALEABLE | | N/A | N/A | N/A | N/A |
| | | | | | | | | 5 | - | - | - | | | | | | |
| MX150 ASSY RCP 2X4 CPA LG B/5 | 334724837 | B-LIGHT GRAY | GCP | PLR | CPA | M | RR | 1 | - | - | 4 | SALEABLE | | N/A | N/A | N/A | N/A |
| | | | | | | | | 5 | - | - | - | | | | | | |
| MX150 ASSY RCP 2X4 CPA BR C/5 | 334724838 | C-BROWN | GCP | PLR | CPA | M | RR | 1 | - | - | 4 | NOT RECOMMENDED | | N/A | N/A | N/A | N/A |
| | | | | | | | | 5 | - | - | - | | | | | | |
| MX150 ASSY RCP 2X4 CPA GR D/5 | 334724839 | D-GREEN | GCP | PLR | CPA | M | RR | 1 | - | - | 4 | NOT RECOMMENDED | | N/A | N/A | N/A | N/A |
| | | | | | | | | 5 | - | - | - | | | | | | |
| MX150 ASSY RCP 2X4 BK A/4 | 334724841 | A-BLACK | GCP | PLR | | M | RR | 1 | - | - | 4 | SALEABLE | | N/A | N/A | N/A | N/A |
| | | | | | | | | 5 | - | - | 8 | | | | | | |
| MX150 ASSY RCP 2X4 LG B/4 | 334724842 | B-LIGHT GRAY | GCP | PLR | | M | RR | 1 | - | - | 4 | SALEABLE | | N/A | N/A | N/A | N/A |
| | | | | | | | | 5 | - | - | 8 | | | | | | |
| MX150 ASSY RCP 2X4 BR C/4 | 334724843 | C-BROWN | GCP | PLR | | M | RR | 1 | - | - | 4 | NOT RECOMMENDED | | N/A | N/A | N/A | N/A |
| | | | | | | | | 5 | - | - | 8 | | | | | | |
| MX150 ASSY RCP 2X4 GR D/4 | 334724844 | D-GREEN | GCP | PLR | | M | RR | 1 | - | - | 4 | NOT RECOMMENDED | | N/A | N/A | N/A | N/A |
| | | | | | | | | 5 | - | - | 8 | | | | | | |
| MX150 ASSY RCP 2X4 CPA BK A/4 | 334724846 | A-BLACK | GCP | PLR | CPA | M | RR | 1 | - | - | 4 | SALEABLE | | N/A | N/A | N/A | N/A |
| | | | | | | | | 5 | - | - | 8 | | | | | | |
| MX150 ASSY RCP 2X4 CPA LG B/4 | 334724847 | B-LIGHT GRAY | GCP | PLR | CPA | M | RR | 1 | - | - | 4 | SALEABLE | | N/A | N/A | N/A | N/A |
| | | | | | | | | 5 | - | - | 8 | | | | | | |
| MX150 ASSY RCP 2X4 CPA BR C/4 | 334724848 | C-BROWN | GCP | PLR | CPA | M | RR | 1 | - | - | 4 | NOT RECOMMENDED | | N/A | N/A | N/A | N/A |
| | | | | | | | | 5 | - | - | 8 | | | | | | |
| MX150 ASSY RCP 2X4 CPA GR D/4 | 334724849 | D-GREEN | GCP | PLR | CPA | M | RR | 1 | - | - | 4 | NOT RECOMMENDED | | N/A | N/A | N/A | N/A |
| | | | | | | | | 5 | - | - | 8 | | | | | | |
| MX150 ASSY RCP 2X4 BK A/0 | 334724851 | A-BLACK | GCP | PLR | | M | RR | 1 | 2 | 3 | 4 | SALEABLE | | N/A | N/A | N/A | N/A |
| | | | | | | | | 5 | 6 | 7 | 8 | | | | | | |
| MX150 ASSY RCP 2X4 LG B/0 | 334724852 | B-LIGHT GRAY | GCP | PLR | | M | RR | 1 | 2 | 3 | 4 | SALEABLE | | N/A | N/A | N/A | N/A |
| | | | | | | | | 5 | 6 | 7 | 8 | | | | | | |
| MX150 ASSY RCP 2X4 BR C/0 | 334724853 | C-BROWN | GCP | PLR | | M | RR | 1 | 2 | 3 | 4 | NOT RECOMMENDED | | N/A | N/A | N/A | N/A |
| | | | | | | | | 5 | 6 | 7 | 8 | | | | | | |
| MX150 ASSY RCP 2X4 GR D/0 | 334724854 | D-GREEN | GCP | PLR | | M | RR | 1 | 2 | 3 | 4 | NOT RECOMMENDED | SEE 334725057 | N/A | N/A | N/A | N/A |
| | | | | | | | | 5 | 6 | 7 | 8 | | | | | | |
| MX150 ASSY RCP 2X4 BK D/0 | 334724855 | D-BLACK | GCP | PLR | | M | RR | 1 | 2 | 3 | 4 | SALEABLE | | N/A | N/A | N/A | N/A |
| | | | | | | | | 5 | 6 | 7 | 8 | | | | | | |

| ASSEMBLY DESCRIPTION | ASSEMBLY PART NUMBER | COMPONENT | | | | | | BLOCKED TERMINALS | | | | STATUS | COMMENT | OPTIONAL ATTACHMENTS SOLD SEPARATELY | | | |
|-------------------------------|----------------------|--|-------------|-----|-----|----------|-----------|--|---|---|---|----------|---------|--------------------------------------|------------------------|-----------------------|--------------------------|
| | | THE PRESENCE OF AN ABBREVIATION INDICATES THE PRESENCE OF THAT COMPONENT | | | | | | CAVITY WITH A NUMBER INDICATES BLOCKED TERMINAL POSITION CAVITY WITHOUT A NUMBER INDICATES OPEN TERMINAL POSITION | | | | | | BACKSHELL WITH RIBS | BACKSHELL WITHOUT RIBS | 90° ADAPTOR WITH RIBS | 90° ADAPTOR WITHOUT RIBS |
| | | HOUSING KEY/COLOR | GROMMET CAP | PLR | CPA | MAT SEAL | RING SEAL | | | | | | | | | | |
| MX150 ASSY RCP 2X4 CPA BK A/5 | 334724856 | A-BLACK | GCP | PLR | CPA | M | RR | - | 2 | - | - | SALEABLE | | N/A | N/A | N/A | N/A |
| | | | | | | | | - | 6 | 7 | - | | | | | | |
| MX150 ASSY RCP 2X4 CPA BK A/3 | 334724857 | A-BLACK | GCP | PLR | CPA | M | RR | 1 | 2 | - | - | SALEABLE | | N/A | N/A | N/A | N/A |
| | | | | | | | | 5 | 6 | 7 | - | | | | | | |
| MX150 ASSY RCP 2X4 CPA BK A/2 | 334724858 | A-BLACK | GCP | PLR | CPA | M | RR | 1 | 2 | 3 | - | SALEABLE | | N/A | N/A | N/A | N/A |
| | | | | | | | | 5 | 6 | 7 | - | | | | | | |
| MX150 ASSY RCP 2X4 BK A/2 | 334724859 | A-BLACK | GCP | PLR | | M | RR | 1 | 2 | 3 | - | SALEABLE | | N/A | N/A | N/A | N/A |
| | | | | | | | | - | 6 | 7 | 8 | | | | | | |
| MX150 ASSY RCP 2X4 BK D/7 | 334724860 | D-BLACK | GCP | PLR | | M | RR | - | - | - | 4 | SALEABLE | | N/A | N/A | N/A | N/A |
| | | | | | | | | - | - | - | - | | | | | | |
| MX150 ASSY RCP 2X4 BK A/7 | 334724861 | A-BLACK | GCP | PLR | | M | RR | - | - | - | - | SALEABLE | | N/A | N/A | N/A | N/A |
| | | | | | | | | - | - | - | 8 | | | | | | |
| MX150 ASSY RCP 2X4 BK A/7 | 334724862 | A-BLACK | GCP | PLR | | M | RR | 1 | - | - | - | SALEABLE | | N/A | N/A | N/A | N/A |
| | | | | | | | | - | - | - | - | | | | | | |
| MX150 ASSY RCP 2X4 BK A/4 | 334724863 | A-BLACK | GCP | PLR | | M | RR | - | 2 | 3 | - | SALEABLE | | N/A | N/A | N/A | N/A |
| | | | | | | | | 5 | - | - | 8 | | | | | | |
| MX150 ASSY RCP 2X4 BK A/5 | 334724864 | A-BLACK | GCP | PLR | | M | RR | 1 | - | 3 | - | SALEABLE | | N/A | N/A | N/A | N/A |
| | | | | | | | | 5 | - | - | - | | | | | | |
| MX150 ASSY RCP 2X4 BK A/6 | 334724865 | A-BLACK | GCP | PLR | | M | RR | 1 | - | - | - | SALEABLE | | N/A | N/A | N/A | N/A |
| | | | | | | | | - | 6 | - | - | | | | | | |
| MX150 ASSY RCP 2X4 BK A/3 | 334724866 | A-BLACK | GCP | PLR | | M | RR | - | 2 | 3 | - | SALEABLE | | N/A | N/A | N/A | N/A |
| | | | | | | | | 5 | 6 | - | 8 | | | | | | |
| MX150 ASSY RCP 2X4 BK A/4 | 334724867 | A-BLACK | GCP | PLR | | M | RR | 1 | - | 3 | - | SALEABLE | | N/A | N/A | N/A | N/A |
| | | | | | | | | 5 | 6 | - | - | | | | | | |
| MX150 ASSY RCP 2X4 BK A/5 | 334724868 | A-BLACK | GCP | PLR | | M | RR | - | - | - | - | SALEABLE | | N/A | N/A | N/A | N/A |
| | | | | | | | | 5 | 6 | - | 8 | | | | | | |
| MX150 ASSY RCP 2X4 BK A/7 | 334724869 | A-BLACK | GCP | PLR | | M | RR | - | - | - | - | SALEABLE | | N/A | N/A | N/A | N/A |
| | | | | | | | | - | 6 | - | - | | | | | | |
| MX150 ASSY RCP 2X4 BK A/2 | 334724870 | A-BLACK | GCP | PLR | | M | RR | 1 | - | 3 | - | SALEABLE | | N/A | N/A | N/A | N/A |
| | | | | | | | | 5 | 6 | 7 | 8 | | | | | | |
| MX150 ASSY RCP 2X4 BK A/2 | 334724871 | A-BLACK | GCP | PLR | | M | RR | - | 2 | 3 | 4 | SALEABLE | | N/A | N/A | N/A | N/A |
| | | | | | | | | 5 | 6 | 7 | - | | | | | | |
| MX150 ASSY RCP 2X4 BK A/6 | 334724872 | A-BLACK | GCP | PLR | | M | RR | - | - | - | - | SALEABLE | | N/A | N/A | N/A | N/A |
| | | | | | | | | - | - | 7 | 8 | | | | | | |
| MX150 ASSY RCP 2X4 BK A/3 | 334724873 | A-BLACK | GCP | PLR | | M | RR | - | 2 | 3 | - | SALEABLE | | N/A | N/A | N/A | N/A |
| | | | | | | | | - | 6 | 7 | 8 | | | | | | |
| MX150 ASSY RCP 2X4 BK A/6 | 334724874 | A-BLACK | GCP | PLR | | M | RR | - | 2 | 3 | - | SALEABLE | | N/A | N/A | N/A | N/A |
| | | | | | | | | - | - | - | - | | | | | | |
| MX150 ASSY RCP 2X4 BK A/6 | 334724875 | A-BLACK | GCP | PLR | | M | RR | 1 | - | - | 4 | SALEABLE | | N/A | N/A | N/A | N/A |
| | | | | | | | | - | - | - | - | | | | | | |
| MX150 ASSY RCP 2X4 BK A/2 | 334724876 | A-BLACK | GCP | PLR | | M | RR | - | 2 | 3 | - | SALEABLE | | N/A | N/A | N/A | N/A |
| | | | | | | | | 5 | 6 | 7 | 8 | | | | | | |
| MX150 ASSY RCP 2X4 CPA BK A/7 | 334724877 | A-BLACK | GCP | PLR | CPA | M | RR | - | - | - | - | SALEABLE | | N/A | N/A | N/A | N/A |
| | | | | | | | | - | - | - | 8 | | | | | | |
| MX150 ASSY RCP 2X4 BK A/5 | 334724878 | A-BLACK | GCP | PLR | | M | RR | - | - | 3 | - | SALEABLE | | N/A | N/A | N/A | N/A |
| | | | | | | | | 5 | 6 | - | - | | | | | | |
| MX150 ASSY RCP 2X4 DG C/8 | 334724879 | C-DARK GRAY | GCO | PLR | | M | RR | - | - | - | - | SALEABLE | | N/A | N/A | N/A | N/A |
| | | | | | | | | - | - | - | - | | | | | | |
| MX150 ASSY RCP 2X4 SG D/8 | 334724880 | D-STONE GRAY | GCO | PLR | | M | RR | - | - | - | - | SALEABLE | | N/A | N/A | N/A | N/A |
| | | | | | | | | - | - | - | - | | | | | | |
| MX150 ASSY RCP 2X4 CPA DG C/8 | 334724881 | C-DARK GRAY | GCO | PLR | CPA | M | RR | - | - | - | - | SALEABLE | | N/A | N/A | N/A | N/A |
| | | | | | | | | - | - | - | - | | | | | | |
| MX150 ASSY RCP 2X4 CPA SG D/8 | 334724882 | D-STONE GRAY | GCO | PLR | CPA | M | RR | - | - | - | - | SALEABLE | | N/A | N/A | N/A | N/A |
| | | | | | | | | - | - | - | - | | | | | | |

| ASSEMBLY DESCRIPTION | ASSEMBLY PART NUMBER | COMPONENT | | | | | | BLOCKED TERMINALS | | | | STATUS | COMMENT | OPTIONAL ATTACHMENTS SOLD SEPARATELY | | | |
|----------------------------------|----------------------|--|-------------|-----|-----|----------|-----------|--|---|---|---|-----------------|---------------|--------------------------------------|------------------------|-----------------------|--------------------------|
| | | THE PRESENCE OF AN ABBREVIATION INDICATES THE PRESENCE OF THAT COMPONENT | | | | | | CAVITY WITH A NUMBER INDICATES BLOCKED TERMINAL POSITION CAVITY WITHOUT A NUMBER INDICATES OPEN TERMINAL POSITION | | | | | | BACKSHELL WITH RIBS | BACKSHELL WITHOUT RIBS | 90° ADAPTOR WITH RIBS | 90° ADAPTOR WITHOUT RIBS |
| | | HOUSING KEY/COLOR | GROMMET CAP | PLR | CPA | MAT SEAL | RING SEAL | | | | | | | | | | |
| MX150 ASSY RCP 2X4 BK A/2 | 334724883 | A-BLACK | GCP | PLR | | M | RR | - | 2 | 3 | 4 | SALEABLE | | N/A | N/A | N/A | N/A |
| | | | | | | | | 5 | - | 7 | 8 | | | | | | |
| MX150 ASSY RCP 2X4 BK A/5 | 334724884 | A-BLACK | GCP | PLR | | M | RR | - | - | 3 | - | SALEABLE | | N/A | N/A | N/A | N/A |
| | | | | | | | | - | 6 | 7 | - | | | | | | |
| MX150 ASSY RCP 2X4 BK A/2 | 334724885 | A-BLACK | GCP | PLR | | M | RR | - | 2 | 3 | 4 | SALEABLE | | N/A | N/A | N/A | N/A |
| | | | | | | | | 5 | 6 | - | 8 | | | | | | |
| MX150 ASSY RCP 2X4 BK A/5 | 334724886 | A-BLACK | GCP | PLR | | M | RR | - | - | 3 | - | SALEABLE | | N/A | N/A | N/A | N/A |
| | | | | | | | | - | 6 | - | 8 | | | | | | |
| MX150 ASSY RCP 2X4 CPA LG B/7 | 334724887 | B-LIGHT GRAY | GCP | PLR | CPA | M | RR | - | - | - | - | SALEABLE | | N/A | N/A | N/A | N/A |
| | | | | | | | | - | - | - | 8 | | | | | | |
| MX150 ASSY RCP 2X4 LG B/6 | 334724888 | B-LIGHT GRAY | GCP | PLR | | M | RR | 1 | - | - | - | SALEABLE | | N/A | N/A | N/A | N/A |
| | | | | | | | | - | 6 | - | - | | | | | | |
| MX150 ASSY RCP 2X4 BK A/6 | 334724889 | A-BLACK | GCP | PLR | | M | RR | 1 | - | - | - | SALEABLE | | N/A | N/A | N/A | N/A |
| | | | | | | | | 5 | - | - | - | | | | | | |
| MX150 ASSY RCP 2X4 CPA YW A/6 | 334724890 | A-YELLOW | GCP | PLR | CPA | M | RR | - | 2 | 3 | - | SALEABLE | | N/A | N/A | N/A | N/A |
| | | | | | | | | - | - | - | - | | | | | | |
| MX150 ASSY RCP 2X4 CPA YW A/8 | 334724891 | A-YELLOW | GCO | PLR | CPA | M | RR | - | - | - | - | SALEABLE | | N/A | N/A | N/A | N/A |
| | | | | | | | | - | - | - | - | | | | | | |
| MX150 ASSY RCP 2X4 YW A/8 | 334724892 | A-YELLOW | GCO | PLR | | M | RR | - | - | - | - | SALEABLE | | N/A | N/A | N/A | N/A |
| | | | | | | | | - | - | - | - | | | | | | |
| MX150 ASSY RCP 2X4 CPA BK A/7 | 334724893 | A-BLACK | GCP | PLR | CPA | M | RR | - | - | - | - | SALEABLE | | N/A | N/A | N/A | N/A |
| | | | | | | | | - | 6 | - | - | | | | | | |
| MX150 ASSY RCP 2X4 CPA BK A/2 | 334724894 | A-BLACK | GCP | PLR | CPA | M | RR | 1 | 2 | 3 | - | SALEABLE | | N/A | N/A | N/A | N/A |
| | | | | | | | | - | 6 | 7 | 8 | | | | | | |
| MX150 ASSY RCP 2X4 BK A/6 | 334724895 | A-BLACK | GCP | PLR | | M | RR | 1 | 2 | - | - | SALEABLE | | N/A | N/A | N/A | N/A |
| | | | | | | | | - | - | - | - | | | | | | |
| MX150 ASSY RCP 2X4 CS BK A/8 | 334724901 | A-BLACK-CLIP | GCO | PLR | | M | RR | - | - | - | - | SALEABLE | | 34951-0811 | 34951-0821 | 34951-0831 | 34951-0841 |
| | | | | | | | | - | - | - | - | | | | | | |
| MX150 ASSY RCP 2X4 CS LG B/8 | 334724902 | B-LIGHT GRAY-CLIP | GCO | PLR | | M | RR | - | - | - | - | SALEABLE | | 34951-0811 | 34951-0821 | 34951-0831 | 34951-0841 |
| | | | | | | | | - | - | - | - | | | | | | |
| MX150 ASSY RCP 2X4 CS BR C/8 | 334724903 | C-BROWN-CLIP | GCO | PLR | | M | RR | - | - | - | - | NOT RECOMMENDED | SEE 334724922 | 34951-0811 | 34951-0821 | 34951-0831 | 34951-0841 |
| | | | | | | | | - | - | - | - | | | | | | |
| MX150 ASSY RCP 2X4 CS GR D/8 | 334724904 | D-GREEN-CLIP | GCO | PLR | | M | RR | - | - | - | - | NOT RECOMMENDED | SEE 334724923 | 34951-0811 | 34951-0821 | 34951-0831 | 34951-0841 |
| | | | | | | | | - | - | - | - | | | | | | |
| MX150 ASSY RCP 2X4 CS BK D/8 | 334724905 | D-BLACK-CLIP | GCO | PLR | | M | RR | - | - | - | - | SALEABLE | | 34951-0811 | 34951-0821 | 34951-0831 | 34951-0841 |
| | | | | | | | | - | - | - | - | | | | | | |
| MX150 ASSY RCP 2X4 CS CPA BK A/8 | 334724906 | A-BLACK-CLIP | GCO | PLR | CPA | M | RR | - | - | - | - | SALEABLE | | 34951-0811 | 34951-0821 | 34951-0831 | 34951-0841 |
| | | | | | | | | - | - | - | - | | | | | | |
| MX150 ASSY RCP 2X4 CS CPA LG B/8 | 334724907 | B-LIGHT GRAY-CLIP | GCO | PLR | CPA | M | RR | - | - | - | - | SALEABLE | | 34951-0811 | 34951-0821 | 34951-0831 | 34951-0841 |
| | | | | | | | | - | - | - | - | | | | | | |
| MX150 ASSY RCP 2X4 CS CPA BR C/8 | 334724908 | C-BROWN-CLIP | GCO | PLR | CPA | M | RR | - | - | - | - | NOT RECOMMENDED | SEE 334724924 | 34951-0811 | 34951-0821 | 34951-0831 | 34951-0841 |
| | | | | | | | | - | - | - | - | | | | | | |
| MX150 ASSY RCP 2X4 CS CPA GR D/8 | 334724909 | D-GREEN-CLIP | GCO | PLR | CPA | M | RR | - | - | - | - | NOT RECOMMENDED | SEE 334724925 | 34951-0811 | 34951-0821 | 34951-0831 | 34951-0841 |
| | | | | | | | | - | - | - | - | | | | | | |
| MX150 ASSY RCP 2X4 CS BK A/7 | 334724910 | A-BLACK-CLIP | GCP | PLR | | M | RR | - | - | - | 4 | SALEABLE | | 34951-0811 | 34951-0821 | 34951-0831 | 34951-0841 |
| | | | | | | | | - | - | - | - | | | | | | |
| MX150 ASSY RCP 2X4 CS BK A/6 | 334724920 | A-BLACK-CLIP | GCP | PLR | | M | RR | - | - | - | 4 | SALEABLE | | 34951-0811 | 34951-0821 | 34951-0831 | 34951-0841 |
| | | | | | | | | - | - | - | 8 | | | | | | |
| MX150 ASSY RCP 2X4 CS BK A/7 | 334724921 | A-BLACK-CLIP | GCP | PLR | | M | RR | - | - | - | - | SALEABLE | | 34951-0811 | 34951-0821 | 34951-0831 | 34951-0841 |
| | | | | | | | | - | - | - | 8 | | | | | | |
| MX150 ASSY RCP 2X4 CS DG C/8 | 334724922 | C-DARK GRAY-CLIP | GCO | PLR | | M | RR | - | - | - | - | SALEABLE | | 34951-0811 | 34951-0821 | 34951-0831 | 34951-0841 |
| | | | | | | | | - | - | - | - | | | | | | |
| MX150 ASSY RCP 2X4 CS SG D/8 | 334724923 | D-STONE GRAY-CLIP | GCO | PLR | | M | RR | - | - | - | - | SALEABLE | | 34951-0811 | 34951-0821 | 34951-0831 | 34951-0841 |
| | | | | | | | | - | - | - | - | | | | | | |

| ASSEMBLY DESCRIPTION | ASSEMBLY PART NUMBER | COMPONENT | | | | | | BLOCKED TERMINALS | | | | STATUS | COMMENT | OPTIONAL ATTACHMENTS SOLD SEPARATELY | | | |
|----------------------------------|----------------------|--|-------------|-----|-----|----------|-----------|--|---|---|---|----------|---------|--------------------------------------|------------------------|-----------------------|--------------------------|
| | | THE PRESENCE OF AN ABBREVIATION INDICATES THE PRESENCE OF THAT COMPONENT | | | | | | CAVITY WITH A NUMBER INDICATES BLOCKED TERMINAL POSITION CAVITY WITHOUT A NUMBER INDICATES OPEN TERMINAL POSITION | | | | | | BACKSHELL WITH RIBS | BACKSHELL WITHOUT RIBS | 90° ADAPTOR WITH RIBS | 90° ADAPTOR WITHOUT RIBS |
| | | HOUSING KEY/COLOR | GROMMET CAP | PLR | CPA | MAT SEAL | RING SEAL | | | | | | | | | | |
| MX150 ASSY RCP 2X4 CS CPA DG C/8 | 334724924 | C-DARK GRAY-CLIP | GCO | PLR | CPA | M | RR | - | - | - | - | SALEABLE | | 34951-0811 | 34951-0821 | 34951-0831 | 34951-0841 |
| MX150 ASSY RCP 2X4 CS CPA SG D/8 | 334724925 | D-STONE GRAY-CLIP | GCO | PLR | CPA | M | RR | - | - | - | - | SALEABLE | | 34951-0811 | 34951-0821 | 34951-0831 | 34951-0841 |
| MX150 ASSY RCP 2X4 CS LG B/6 | 334724926 | B-LIGHT GRAY-CLIP | GCP | PLR | | M | RR | - | - | - | 4 | SALEABLE | | 34951-0811 | 34951-0821 | 34951-0831 | 34951-0841 |
| MX150 ASSY RCP 2X4 CS CPA BK A/6 | 334724927 | A-BLACK-CLIP | GCP | PLR | CPA | M | RR | - | - | - | 4 | SALEABLE | | 34951-0811 | 34951-0821 | 34951-0831 | 34951-0841 |
| MX150 ASSY RCP 2X4 CS CPA LG B/6 | 334724928 | B-LIGHT GRAY-CLIP | GCP | PLR | CPA | M | RR | - | - | - | 4 | SALEABLE | | 34951-0811 | 34951-0821 | 34951-0831 | 34951-0841 |
| MX150 ASSY RCP 2X4 CS BK A/4 | 334724929 | A-BLACK-CLIP | GCP | PLR | | M | RR | - | - | - | 4 | SALEABLE | | 34951-0811 | 34951-0821 | 34951-0831 | 34951-0841 |
| MX150 ASSY RCP 2X4 CS BK A/2 | 334724930 | A-BLACK-CLIP | GCP | PLR | | M | RR | 5 | 2 | 3 | 4 | SALEABLE | | 34951-0811 | 34951-0821 | 34951-0831 | 34951-0841 |
| MX150 ASSY RCP 2X4 CS BK A/4 | 334724931 | A-BLACK-CLIP | GCP | PLR | | M | RR | 1 | 2 | 3 | - | SALEABLE | | 34951-0811 | 34951-0821 | 34951-0831 | 34951-0841 |
| MX150 ASSY RCP 2X4 CS BK A/6 | 334724932 | A-BLACK-CLIP | GCP | PLR | | M | RR | 1 | - | - | - | SALEABLE | | 34951-0811 | 34951-0821 | 34951-0831 | 34951-0841 |
| MX150 ASSY RCP 2X4 CS CPA BK A/7 | 334724933 | A-BLACK-CLIP | GCP | PLR | CPA | M | RR | - | - | - | - | SALEABLE | | 34951-0811 | 34951-0821 | 34951-0831 | 34951-0841 |
| MX150 ASSY RCP 2X4 CS CPA LG B/7 | 334724934 | B-LIGHT GRAY-CLIP | GCP | PLR | CPA | M | RR | - | - | - | - | SALEABLE | | 34951-0811 | 34951-0821 | 34951-0831 | 34951-0841 |
| MX150 ASSY RCP 2X4 CS CPA BK A/2 | 334724935 | A-BLACK-CLIP | GCP | PLR | CPA | M | RR | - | 2 | 3 | 4 | SALEABLE | | 34951-0811 | 34951-0821 | 34951-0831 | 34951-0841 |
| MX150 ASSY RCP 2X4 CS BK A/5 | 334724936 | A-BLACK-CLIP | GCP | PLR | | M | RR | - | - | - | - | SALEABLE | | 34951-0811 | 34951-0821 | 34951-0831 | 34951-0841 |
| MX150 ASSY RCP 2X4 CS BK A/6 | 334724937 | A-BLACK-CLIP | GCP | PLR | | M | RR | - | 6 | 7 | 8 | SALEABLE | | 34951-0811 | 34951-0821 | 34951-0831 | 34951-0841 |
| MX150 ASSY RCP 2X4 CS BK A/7 | 334724938 | A-BLACK-CLIP | GCP | PLR | | M | RR | 5 | - | - | - | SALEABLE | | 34951-0811 | 34951-0821 | 34951-0831 | 34951-0841 |
| MX150 ASSY RCP 2X4 CS BK A/3 | 334724939 | A-BLACK-CLIP | GCP | PLR | | M | RR | - | - | - | 4 | SALEABLE | | 34951-0811 | 34951-0821 | 34951-0831 | 34951-0841 |
| MX150 ASSY RCP 2X4 CS BK A/4 | 334724940 | A-BLACK-CLIP | GCP | PLR | | M | RR | 1 | 2 | - | - | SALEABLE | | 34951-0811 | 34951-0821 | 34951-0831 | 34951-0841 |
| MX150 ASSY RCP 2X4 CS BK A/2 | 334724941 | A-BLACK-CLIP | GCP | PLR | | M | RR | 1 | 2 | 3 | 4 | SALEABLE | | 34951-0811 | 34951-0821 | 34951-0831 | 34951-0841 |
| MX150 ASSY RCP 2X4 CS BK A/5 | 334724942 | A-BLACK-CLIP | GCP | PLR | | M | RR | - | - | - | 4 | SALEABLE | | 34951-0811 | 34951-0821 | 34951-0831 | 34951-0841 |
| MX150 ASSY RCP 2X4 CS BK A/4 | 334724943 | A-BLACK-CLIP | GCP | PLR | | M | RR | - | 2 | 3 | - | SALEABLE | | 34951-0811 | 34951-0821 | 34951-0831 | 34951-0841 |
| MX150 ASSY RCP 2X4 CS BK A/5 | 334724944 | A-BLACK-CLIP | GCP | PLR | | M | RR | - | - | - | 4 | SALEABLE | | 34951-0811 | 34951-0821 | 34951-0831 | 34951-0841 |
| MX150 ASSY RCP 2X4 CS BK A/7 | 334724945 | A-BLACK-CLIP | GCP | PLR | | M | RR | - | - | - | - | SALEABLE | | 34951-0811 | 34951-0821 | 34951-0831 | 34951-0841 |
| MX150 ASSY RCP 2X4 CS BK A/6 | 334724946 | A-BLACK-CLIP | GCP | PLR | | M | RR | - | - | 3 | - | SALEABLE | | 34951-0811 | 34951-0821 | 34951-0831 | 34951-0841 |
| MX150 ASSY RCP 2X4 CS BK A/1 | 334724947 | A-BLACK-CLIP | GCP | PLR | | M | RR | 1 | - | 3 | 4 | SALEABLE | | 34951-0811 | 34951-0821 | 34951-0831 | 34951-0841 |
| MX150 ASSY RCP 2X4 BK A/4 | 334725001 | A-BLACK | GCP | PLR | | M | RR | 1 | 2 | 3 | 4 | SALEABLE | | N/A | N/A | N/A | N/A |
| MX150 ASSY RCP 2X4 LG B/7 | 334725002 | B-LIGHT GRAY | GCP | PLR | | M | RR | - | - | - | - | SALEABLE | | N/A | N/A | N/A | N/A |
| MX150 ASSY RCP 2X4 BK A/6 | 334725003 | A-BLACK | GCP | PLR | | M | RR | 1 | - | - | 4 | SALEABLE | | N/A | N/A | N/A | N/A |

| ASSEMBLY DESCRIPTION | ASSEMBLY PART NUMBER | COMPONENT | | | | | | BLOCKED TERMINALS | | | | STATUS | COMMENT | OPTIONAL ATTACHMENTS SOLD SEPARATELY | | | |
|-------------------------------|----------------------|--|-------------|-----|-----|----------|-----------|--|---|---|---|----------|---------|--------------------------------------|------------------------|-----------------------|--------------------------|
| | | THE PRESENCE OF AN ABBREVIATION INDICATES THE PRESENCE OF THAT COMPONENT | | | | | | CAVITY WITH A NUMBER INDICATES BLOCKED TERMINAL POSITION CAVITY WITHOUT A NUMBER INDICATES OPEN TERMINAL POSITION | | | | | | BACKSHELL WITH RIBS | BACKSHELL WITHOUT RIBS | 90° ADAPTOR WITH RIBS | 90° ADAPTOR WITHOUT RIBS |
| | | HOUSING KEY/COLOR | GROMMET CAP | PLR | CPA | MAT SEAL | RING SEAL | | | | | | | | | | |
| MX150 ASSY RCP 2X4 BK A/2 | 334725004 | A-BLACK | GCP | PLR | | M | RR | - | 2 | 3 | - | SALEABLE | | N/A | N/A | N/A | N/A |
| | | | | | | | | 5 | 6 | 7 | 8 | | | | | | |
| MX150 ASSY RCP 2X4 CPA BK A/7 | 334725005 | A-BLACK | GCP | PLR | CPA | M | RR | - | - | - | - | SALEABLE | | N/A | N/A | N/A | N/A |
| | | | | | | | | - | - | - | 8 | | | | | | |
| MX150 ASSY RCP 2X4 BK A/2 | 334725006 | A-BLACK | GCP | PLR | | M | RR | 1 | 2 | 3 | 4 | SALEABLE | | N/A | N/A | N/A | N/A |
| | | | | | | | | 5 | 6 | - | - | | | | | | |
| MX150 ASSY RCP 2X4 CPA BK A/6 | 334725007 | A-BLACK | GCP | PLR | CPA | M | RR | - | - | - | - | SALEABLE | | N/A | N/A | N/A | N/A |
| | | | | | | | | - | 6 | 7 | - | | | | | | |
| MX150 ASSY RCP 2X4 CPA BK A/7 | 334725008 | A-BLACK | GCP | PLR | CPA | M | RR | - | - | - | - | SALEABLE | | N/A | N/A | N/A | N/A |
| | | | | | | | | - | - | 7 | - | | | | | | |
| MX150 ASSY RCP 2X4 CPA SG D/7 | 334725009 | D-STONE GRAY | GCP | PLR | CPA | M | RR | - | - | - | 4 | SALEABLE | | N/A | N/A | N/A | N/A |
| | | | | | | | | - | - | - | - | | | | | | |
| MX150 ASSY RCP 2X4 CPA SG D/6 | 334725010 | D-STONE GRAY | GCP | PLR | CPA | M | RR | - | - | - | 4 | SALEABLE | | N/A | N/A | N/A | N/A |
| | | | | | | | | 5 | - | - | - | | | | | | |
| MX150 ASSY RCP 2X4 CPA SG D/5 | 334725011 | D-STONE GRAY | GCP | PLR | CPA | M | RR | - | - | - | 4 | SALEABLE | | N/A | N/A | N/A | N/A |
| | | | | | | | | 5 | 6 | - | - | | | | | | |
| MX150 ASSY RCP 2X4 BK A/5 | 334725012 | A-BLACK | GCP | PLR | | M | RR | - | - | - | 4 | SALEABLE | | N/A | N/A | N/A | N/A |
| | | | | | | | | - | - | 7 | 8 | | | | | | |
| MX150 ASSY RCP 2X4 CPA BK A/2 | 334725013 | A-BLACK | GCP | PLR | CPA | M | RR | - | - | 3 | 4 | SALEABLE | | N/A | N/A | N/A | N/A |
| | | | | | | | | 5 | 6 | 7 | 8 | | | | | | |
| MX150 ASSY RCP 2X4 BK A/2 | 334725014 | A-BLACK | GCP | PLR | | M | RR | - | - | 3 | 4 | SALEABLE | | N/A | N/A | N/A | N/A |
| | | | | | | | | 5 | 6 | 7 | 8 | | | | | | |
| MX150 ASSY RCP 2X4 CPA BK A/5 | 334725015 | A-BLACK | GCP | PLR | CPA | M | RR | - | - | - | 4 | SALEABLE | | N/A | N/A | N/A | N/A |
| | | | | | | | | - | - | 7 | 8 | | | | | | |
| MX150 ASSY RCP 2X4 BK A/5 | 334725016 | A-BLACK | GCP | PLR | | M | RR | - | - | - | - | SALEABLE | | N/A | N/A | N/A | N/A |
| | | | | | | | | - | 6 | 7 | 8 | | | | | | |
| MX150 ASSY RCP 2X4 BK A/4 | 334725017 | A-BLACK | GCP | PLR | | M | RR | 1 | - | 3 | 4 | SALEABLE | | N/A | N/A | N/A | N/A |
| | | | | | | | | - | - | - | 8 | | | | | | |
| MX150 ASSY RCP 2X4 CPA BK A/4 | 334725018 | A-BLACK | GCP | PLR | CPA | M | RR | - | - | - | - | SALEABLE | | N/A | N/A | N/A | N/A |
| | | | | | | | | 5 | 6 | 7 | 8 | | | | | | |
| MX150 ASSY RCP 2X4 CPA BK A/6 | 334725019 | A-BLACK | GCP | PLR | CPA | M | RR | - | - | - | - | SALEABLE | | N/A | N/A | N/A | N/A |
| | | | | | | | | - | - | 7 | 8 | | | | | | |
| MX150 ASSY RCP 2X4 CPA BK A/2 | 334725020 | A-BLACK | GCP | PLR | CPA | M | RR | - | 2 | 3 | 4 | SALEABLE | | N/A | N/A | N/A | N/A |
| | | | | | | | | - | 6 | 7 | 8 | | | | | | |
| MX150 ASSY RCP 2X4 CPA BK A/0 | 334725021 | A-BLACK | GCP | PLR | CPA | M | RR | 1 | 2 | 3 | 4 | SALEABLE | | N/A | N/A | N/A | N/A |
| | | | | | | | | 5 | 6 | 7 | 8 | | | | | | |
| MX150 ASSY RCP 2X4 CPA BK A/6 | 334725022 | A-BLACK | GCP | PLR | CPA | M | RR | 1 | - | - | - | SALEABLE | | N/A | N/A | N/A | N/A |
| | | | | | | | | 5 | - | - | - | | | | | | |
| MX150 ASSY RCP 2X4 BK A/4 | 334725023 | A-BLACK | GCP | PLR | | M | RR | - | - | - | - | SALEABLE | | N/A | N/A | N/A | N/A |
| | | | | | | | | 5 | 6 | 7 | 8 | | | | | | |
| MX150 ASSY RCP 2X4 BK A/6 | 334725024 | A-BLACK | GCP | PLR | | M | RR | - | - | 3 | 4 | SALEABLE | | N/A | N/A | N/A | N/A |
| | | | | | | | | - | - | - | - | | | | | | |
| MX150 ASSY RCP 2X4 SG D/5 | 334725025 | D-STONE GRAY | GCP | PLR | | M | RR | - | - | - | 4 | SALEABLE | | N/A | N/A | N/A | N/A |
| | | | | | | | | 5 | 6 | - | - | | | | | | |
| MX150 ASSY RCP 2X4 SG D/7 | 334725026 | D-STONE GRAY | GCP | PLR | | M | RR | - | - | - | 4 | SALEABLE | | N/A | N/A | N/A | N/A |
| | | | | | | | | - | - | - | - | | | | | | |
| MX150 ASSY RCP 2X4 LG B/6 | 334725027 | B-LIGHT GRAY | GCP | PLR | | M | RR | - | - | - | - | SALEABLE | | N/A | N/A | N/A | N/A |
| | | | | | | | | - | - | 7 | 8 | | | | | | |
| MX150 ASSY RCP 2X4 BK A/2 | 334725028 | A-BLACK | GCP | PLR | | M | RR | 1 | 2 | 3 | 4 | SALEABLE | | N/A | N/A | N/A | N/A |
| | | | | | | | | - | - | 7 | 8 | | | | | | |
| MX150 ASSY RCP 2X4 BK A/5 | 334725029 | A-BLACK | GCP | PLR | | M | RR | - | - | 3 | 4 | SALEABLE | | N/A | N/A | N/A | N/A |
| | | | | | | | | - | - | - | 8 | | | | | | |
| MX150 ASSY RCP 2X4 BK A/2 | 334725030 | A-BLACK | GCP | PLR | | M | RR | 1 | 2 | 3 | 4 | SALEABLE | | N/A | N/A | N/A | N/A |
| | | | | | | | | 5 | - | 7 | - | | | | | | |

| ASSEMBLY DESCRIPTION | ASSEMBLY PART NUMBER | COMPONENT | | | | | | BLOCKED TERMINALS | | | | STATUS | COMMENT | OPTIONAL ATTACHMENTS SOLD SEPARATELY | | | |
|-------------------------------|----------------------|--|-------------|-----|-----|----------|-----------|--|---|---|---|----------|---------|--------------------------------------|------------------------|-----------------------|--------------------------|
| | | THE PRESENCE OF AN ABBREVIATION INDICATES THE PRESENCE OF THAT COMPONENT | | | | | | CAVITY WITH A NUMBER INDICATES BLOCKED TERMINAL POSITION CAVITY WITHOUT A NUMBER INDICATES OPEN TERMINAL POSITION | | | | | | BACKSHELL WITH RIBS | BACKSHELL WITHOUT RIBS | 90° ADAPTOR WITH RIBS | 90° ADAPTOR WITHOUT RIBS |
| | | HOUSING KEY/COLOR | GROMMET CAP | PLR | CPA | MAT SEAL | RING SEAL | | | | | | | | | | |
| MX150 ASSY RCP 2X4 BK A/7 | 334725031 | A-BLACK | GCP | PLR | | M | RR | - | - | - | - | SALEABLE | | N/A | N/A | N/A | N/A |
| MX150 ASSY RCP 2X4 BK A/6 | 334725032 | A-BLACK | GCP | PLR | | M | RR | - | 2 | - | - | SALEABLE | | N/A | N/A | N/A | N/A |
| MX150 ASSY RCP 2X4 LG B/5 | 334725033 | B-LIGHT GRAY | GCP | PLR | | M | RR | 1 | - | 3 | - | SALEABLE | | N/A | N/A | N/A | N/A |
| MX150 ASSY RCP 2X4 LG B/6 | 334725034 | B-LIGHT GRAY | GCP | PLR | | M | RR | - | - | 3 | - | SALEABLE | | N/A | N/A | N/A | N/A |
| MX150 ASSY RCP 2X4 LG B/7 | 334725035 | B-LIGHT GRAY | GCP | PLR | | M | RR | 1 | - | - | - | SALEABLE | | N/A | N/A | N/A | N/A |
| MX150 ASSY RCP 2X4 BK A/6 | 334725036 | A-BLACK | GCP | PLR | | M | RR | 1 | - | - | - | SALEABLE | | N/A | N/A | N/A | N/A |
| MX150 ASSY RCP 2X4 BK A/6 | 334725037 | A-BLACK | GCP | PLR | | M | RR | - | - | - | - | SALEABLE | | N/A | N/A | N/A | N/A |
| MX150 ASSY RCP 2X4 BK A/2 | 334725038 | A-BLACK | GCP | PLR | | M | RR | 1 | - | - | 4 | SALEABLE | | N/A | N/A | N/A | N/A |
| MX150 ASSY RCP 2X4 BK A/6 | 334725039 | A-BLACK | GCP | PLR | | M | RR | - | 2 | - | - | SALEABLE | | N/A | N/A | N/A | N/A |
| MX150 ASSY RCP 2X4 LG B/6 | 334725040 | B-LIGHT GRAY | GCP | PLR | | M | RR | - | - | - | - | SALEABLE | | N/A | N/A | N/A | N/A |
| MX150 ASSY RCP 2X4 BK A/3 | 334725041 | A-BLACK | GCP | PLR | | M | RR | - | - | - | 4 | SALEABLE | | N/A | N/A | N/A | N/A |
| MX150 ASSY RCP 2X4 BK A/6 | 334725042 | A-BLACK | GCP | PLR | | M | RR | - | - | - | - | SALEABLE | | N/A | N/A | N/A | N/A |
| MX150 ASSY RCP 2X4 BK A/4 | 334725043 | A-BLACK | GCP | PLR | | M | RR | - | 2 | - | 4 | SALEABLE | | N/A | N/A | N/A | N/A |
| MX150 ASSY RCP 2X4 BK A/2 | 334725044 | A-BLACK | GCP | PLR | | M | RR | 1 | 2 | 3 | 4 | SALEABLE | | N/A | N/A | N/A | N/A |
| MX150 ASSY RCP 2X4 BK A/6 | 334725045 | A-BLACK | GCP | PLR | | M | RR | - | - | - | 4 | SALEABLE | | N/A | N/A | N/A | N/A |
| MX150 ASSY RCP 2X4 CPA BK A/6 | 334725046 | A-BLACK | GCP | PLR | CPA | M | RR | 1 | - | - | - | SALEABLE | | N/A | N/A | N/A | N/A |
| MX150 ASSY RCP 2X4 LG B/7 | 334725047 | B-LIGHT GRAY | GCP | PLR | | M | RR | - | - | - | - | SALEABLE | | N/A | N/A | N/A | N/A |
| MX150 ASSY RCP 2X4 BK A/3 | 334725048 | A-BLACK | GCP | PLR | | M | RR | 1 | 2 | - | - | SALEABLE | | N/A | N/A | N/A | N/A |
| MX150 ASSY RCP 2X4 BK A/5 | 334725049 | A-BLACK | GCP | PLR | | M | RR | 1 | 2 | - | - | SALEABLE | | N/A | N/A | N/A | N/A |
| MX150 ASSY RCP 2X4 BK A/5 | 334725050 | A-BLACK | GCP | PLR | | M | RR | - | - | - | 4 | SALEABLE | | N/A | N/A | N/A | N/A |
| MX150 ASSY RCP 2X4 BK A/4 | 334725051 | A-BLACK | GCP | PLR | | M | RR | 1 | 2 | 3 | - | SALEABLE | | N/A | N/A | N/A | N/A |
| MX150 ASSY RCP 2X4 BK A/4 | 334725052 | A-BLACK | GCP | PLR | | M | RR | - | - | - | 4 | SALEABLE | | N/A | N/A | N/A | N/A |
| MX150 ASSY RCP 2X4 BK A/4 | 334725053 | A-BLACK | GCP | PLR | | M | RR | - | - | 3 | 4 | SALEABLE | | N/A | N/A | N/A | N/A |
| MX150 ASSY RCP 2X4 BK A/3 | 334725054 | A-BLACK | GCP | PLR | | M | RR | 1 | - | 3 | 4 | SALEABLE | | N/A | N/A | N/A | N/A |
| MX150 ASSY RCP 2X4 BK A/6 | 334725055 | A-BLACK | GCP | PLR | | M | RR | - | - | - | 4 | SALEABLE | | N/A | N/A | N/A | N/A |
| MX150 ASSY RCP 2X4 BK A/5 | 334725056 | A-BLACK | GCP | PLR | | M | RR | - | - | - | 4 | SALEABLE | | N/A | N/A | N/A | N/A |
| MX150 ASSY RCP 2X4 SG D/0 | 334725057 | D-STONE GRAY | GCP | PLR | | M | RR | 1 | 2 | 3 | 4 | SALEABLE | | N/A | N/A | N/A | N/A |

| ASSEMBLY DESCRIPTION | ASSEMBLY PART NUMBER | COMPONENT | | | | | | BLOCKED TERMINALS | | | | STATUS | COMMENT | OPTIONAL ATTACHMENTS SOLD SEPARATELY | | | |
|----------------------------------|----------------------|--|-------------|-----|-----|----------|-----------|--|---|---|---|----------------------|---------|--------------------------------------|------------------------|-----------------------|--------------------------|
| | | THE PRESENCE OF AN ABBREVIATION INDICATES THE PRESENCE OF THAT COMPONENT | | | | | | CAVITY WITH A NUMBER INDICATES BLOCKED TERMINAL POSITION CAVITY WITHOUT A NUMBER INDICATES OPEN TERMINAL POSITION | | | | | | BACKSHELL WITH RIBS | BACKSHELL WITHOUT RIBS | 90° ADAPTOR WITH RIBS | 90° ADAPTOR WITHOUT RIBS |
| | | HOUSING KEY/COLOR | GROMMET CAP | PLR | CPA | MAT SEAL | RING SEAL | | | | | | | | | | |
| MX150 ASSY RCP 2X4 CPA BK A/5 | 334725058 | A-BLACK | GCP | PLR | CPA | M | RR | - | 2 | - | - | SALEABLE | | N/A | N/A | N/A | N/A |
| | | | | | | | | 5 | - | - | 8 | | | | | | |
| MX150 ASSY RCP 2X4 LG B/6 | 334725059 | B-LIGHT GRAY | GCP | PLR | | M | RR | - | 2 | - | - | SALEABLE | | N/A | N/A | N/A | N/A |
| | | | | | | | | - | - | 7 | - | | | | | | |
| MX150 ASSY RCP 2X4 LG B/7 | 334725060 | B-LIGHT GRAY | GCP | PLR | | M | RR | - | 2 | - | - | SALEABLE | | N/A | N/A | N/A | N/A |
| | | | | | | | | - | - | - | - | | | | | | |
| MX150 ASSY RCP 2X4 BK A/2 | 334725061 | A-BLACK | GCP | PLR | | M | RR | - | 2 | 3 | 4 | SALEABLE | | N/A | N/A | N/A | N/A |
| | | | | | | | | - | 6 | 7 | 8 | | | | | | |
| MX150 ASSY RCP 2X4 BK A/4 | 334725062 | A-BLACK | GCP | PLR | | M | RR | - | 2 | 3 | - | SALEABLE | | N/A | N/A | N/A | N/A |
| | | | | | | | | - | 6 | 7 | - | | | | | | |
| MX150 ASSY RCP 2X4 CS CPA BK A/4 | 334725063 | A-BLACK-CLIP | GCP | PLR | CPA | M | RR | - | - | - | - | SALEABLE | | 34951-0811 | 34951-0821 | 34951-0831 | 34951-0841 |
| | | | | | | | | 5 | 6 | 7 | 8 | | | | | | |
| MX150 ASSY RCP 2X4 CS BK A/4 | 334725064 | A-BLACK-CLIP | GCP | PLR | | M | RR | - | - | - | - | SALEABLE | | 34951-0811 | 34951-0821 | 34951-0831 | 34951-0841 |
| | | | | | | | | 5 | 6 | 7 | 8 | | | | | | |
| MX150 ASSY RCP 2X4 LG B/4 | 334725065 | B-LIGHT GRAY | GCP | PLR | | M | RR | 1 | - | - | 4 | SALEABLE | | N/A | N/A | N/A | N/A |
| | | | | | | | | - | - | 7 | 8 | | | | | | |
| MX150 ASSY RCP 2X4 BK A/7 | 334725066 | A-BLACK | GCP | PLR | | M | RR | - | - | 3 | - | SALEABLE | | N/A | N/A | N/A | N/A |
| | | | | | | | | - | - | - | - | | | | | | |
| MX150 ASSY RCP 2X4 CS BK A/5 | 334725067 | A-BLACK-CLIP | GCP | PLR | | M | RR | 1 | - | - | - | SALEABLE | | 34951-0811 | 34951-0821 | 34951-0831 | 34951-0841 |
| | | | | | | | | - | - | 7 | 8 | | | | | | |
| MX150 ASSY RCP 2X4 LG B/6 | 334725068 | B-LIGHT GRAY | GCP | PLR | | M | RR | - | - | - | - | SALEABLE | | N/A | N/A | N/A | N/A |
| | | | | | | | | 5 | - | - | 8 | | | | | | |
| MX150 ASSY RCP 2X4 LG B/7 | 334725069 | B-LIGHT GRAY | GCP | PLR | | M | RR | - | - | - | - | SALEABLE | | N/A | N/A | N/A | N/A |
| | | | | | | | | - | - | - | 8 | | | | | | |
| MX150 ASSY RCP 2X4 CPA DG C/7 | 334725070 | C-DARK GRAY | GCP | PLR | CPA | M | RR | - | - | - | 4 | SALEABLE | | N/A | N/A | N/A | N/A |
| | | | | | | | | - | - | - | - | | | | | | |
| MX150 ASSY RCP 2X4 CS SG D/7 | 334725071 | D-STONE GRAY-CLIP | GCP | PLR | | M | RR | 1 | - | - | - | SALEABLE | | 34951-0811 | 34951-0821 | 34951-0831 | 34951-0841 |
| | | | | | | | | - | - | - | - | | | | | | |
| MX150 ASSY RCP 2X4 CS CPA SG D/7 | 334725072 | D-STONE GRAY-CLIP | GCP | PLR | CPA | M | RR | 1 | - | - | - | SALEABLE | | 34951-0811 | 34951-0821 | 34951-0831 | 34951-0841 |
| | | | | | | | | - | - | - | - | | | | | | |
| MX150 ASSY RCP 2X4 CS CPA DG C/7 | 334725073 | C-DARK GRAY-CLIP | GCP | PLR | CPA | M | RR | 1 | - | - | - | SALEABLE | | 34951-0811 | 34951-0821 | 34951-0831 | 34951-0841 |
| | | | | | | | | - | - | - | - | | | | | | |
| MX150 ASSY RCP 2X4 CPA DG C/7 | 334725074 | C-DARK GRAY | GCP | PLR | CPA | M | RR | 1 | - | - | - | SALEABLE | | N/A | N/A | N/A | N/A |
| | | | | | | | | - | - | - | - | | | | | | |
| MX150 ASSY RCP 2X4 DG C/7 | 334725075 | C-DARK GRAY | GCP | PLR | | M | RR | 1 | - | - | - | SALEABLE | | N/A | N/A | N/A | N/A |
| | | | | | | | | - | - | - | - | | | | | | |
| MX150 ASSY RCP 2X4 CS DG C/7 | 334725076 | C-DARK GRAY-CLIP | GCP | PLR | | M | RR | 1 | - | - | - | SALEABLE | | 34951-0811 | 34951-0821 | 34951-0831 | 34951-0841 |
| | | | | | | | | - | - | - | - | | | | | | |
| MX150 ASSY RCP 2X4 BK A/2 | 334725077 | A-BLACK | GCP | PLR | | M | RG | - | 2 | - | 4 | PLANNED OBSOLESCENCE | | N/A | N/A | N/A | N/A |
| | | | | | | | | 5 | 6 | 7 | 8 | | | | | | |
| MX150 ASSY RCP 2X4 BK A/5 | 334725078 | A-BLACK | GCP | PLR | | M | RG | - | - | - | 4 | PLANNED OBSOLESCENCE | | N/A | N/A | N/A | N/A |
| | | | | | | | | - | 6 | - | 8 | | | | | | |
| MX150 ASSY RCP 2X4 LG B/4 | 334725079 | B-LIGHT GRAY | GCP | PLR | | M | RR | 1 | 2 | 3 | - | SALEABLE | | N/A | N/A | N/A | N/A |
| | | | | | | | | - | 6 | - | - | | | | | | |
| MX150 ASSY RCP 2X4 LG B/4 | 334725080 | B-LIGHT GRAY | GCP | PLR | | M | RR | - | 2 | 3 | 4 | SALEABLE | | N/A | N/A | N/A | N/A |
| | | | | | | | | - | - | 7 | - | | | | | | |

| TABLE OF CONTENTS | |
|-------------------|-------------------------------------|
| SHEET NO. | SHEET DESCRIPTION |
| 1 | NOTES AND BOM |
| 2 | CONFIGURATIONS |
| 3-4 | KEY CONFIGURATIONS |
| 5 | RECEPTACLE CONNECTOR ASSEMBLY |
| 6 | BACKSHELL NOTES |
| 7 | BACKSHELL |
| 8 | BACKSHELL CONFIGURATIONS |
| 9 | 2X10 CONNECTOR INTERFACE DEFINITION |

NOTES: VALID UNLESS OTHERWISE SPECIFIED

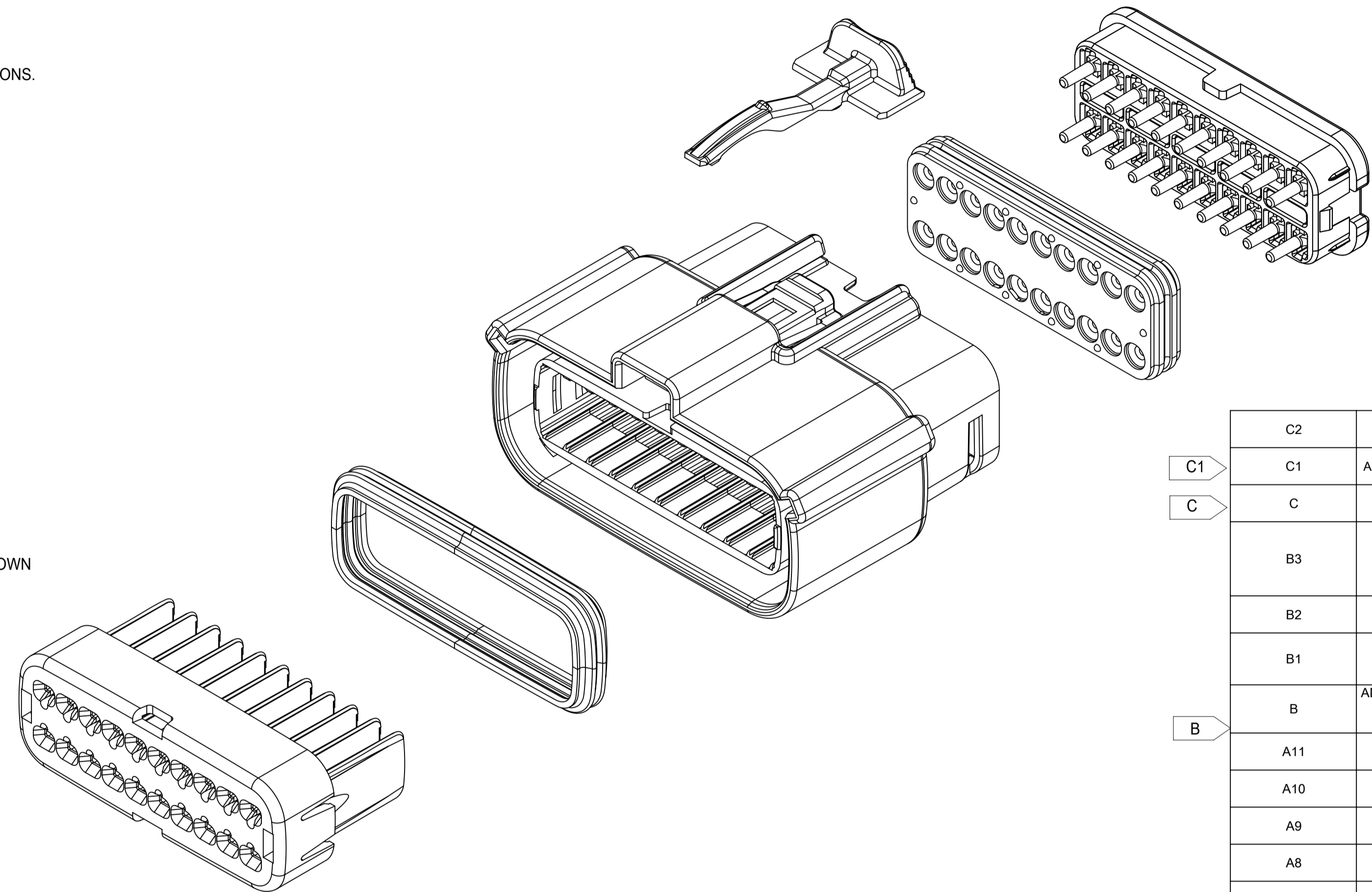
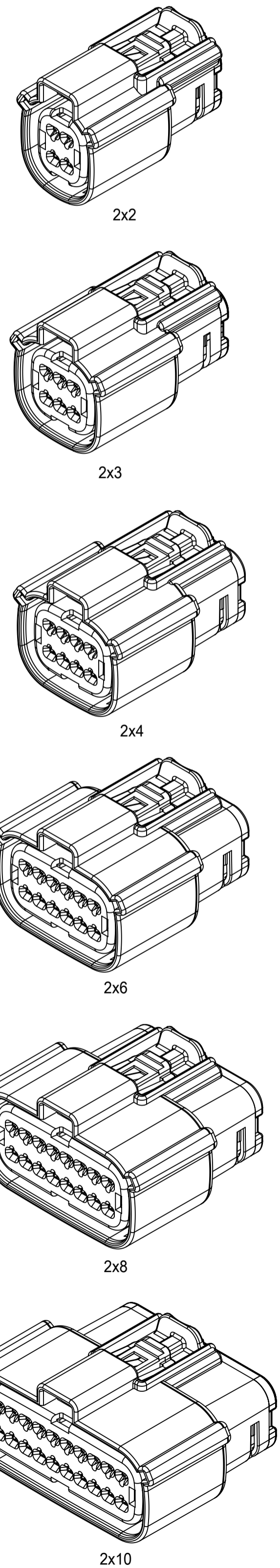
1. GENERAL:
- a. APPLICATION SPECIFICATION SEE: AS-33472-100
- CONTAINS: PRODUCT INTRODUCTION, PRODUCT SUMMARY, CONNECTOR ASSEMBLY, PACKAGING INFORMATION, CONNECTOR MATING, SERVICE INSTRUCTIONS, ELECTRICAL CONTINUITY CHECKING, CRIMPING, AND TROUBLESHOOTING.
 - DESIGNED TO MATE WITH DEVICE OR CONNECTOR AS SPECIFIED IN THE MATING INTERFACE/CONNECTOR DRAWINGS CHART.
 - *DENOTES DRAWINGS THAT CAN BE ACCESSED AT <http://ewcap.uscarteams.org/>.
 - ASSEMBLY SHIPPED WITH PLR IN PRE-LOCK POSITION (SEE PLR PRE-LOCK VIEW SHEET 5).
- b. PRODUCT SPECIFICATION SEE:
- STANDARD CONFIGURATION (STD): PS-33472-000
 - TRANSMISSION CONFIGURATION (TRNS):
 - CONTAINS SILICONE: TS-160038-0001
 - SILICONE FREE: TBD
 - UL V0 CONFIGURATION (UL V0): TBD
 - CONTAINS: PRODUCT INTRODUCTION, PRODUCT SUMMARY, RATINGS (CURRENT, TEMPERATURE, SEALING, AND FLAMMABILITY), TERMINALS, WIRE DIAMETER RANGE, PRODUCT VALIDATION, AND PRODUCT DEVIATIONS.
- c. PACKAGING SPECIFICATION PER MOLEX DRAWING: SEE PACKAGING CHART
- d. PARTS MUST BE IN COMPLIANCE TO MOLEX CHEMICAL SUBSTANCES FOR PRODUCTS AND PACKAGING SPECIFICATION: QEHS-699000-301
- e. DATA MUST BE SUBMITTED UNDER THE MOLEX PART NUMBER TO IMDS (COMPANY ID#13255)

2. DESIGN - MATERIALS:
- a. FOR BILL OF MATERIALS SEE:
- STANDARD CONFIGURATION SD-33472-0002
 - TRANSMISSION CONGRURATION
 - CONTAINS SILICONE: SD-160038-0002
 - SILICONE FREE: SD-160092-0002
 - UL V0 CONFIGURATION SD-160074-0002
- b. TRANSMISSION CONNECTOR COMPONENTS MUST MEET THE MATERIAL REQUIREMENTS SPECIFIED IN TS-160038-0001 & TBD

3. DESIGN - GEOMETRY:
- a. THE 3-D CAD DATA IS BASIC (WITHOUT TOLERANCE) AND MASTER FOR THIS PART WITH THE EXCEPTION OF UNDERLINED DIMENSIONS. DIMENSIONAL INFORMATION NOT SHOWN ON THIS DRAWING IS DEFINED BY THE DATA FILE AT ITS LATEST REVISION.
- b. GEOMETRIC DIMENSIONS AND TOLERANCES PER ASME Y14.5M-2009
- c. EDGES AND UNDIMENSIONED DETAILS PER ISO13715
- d. CORNERS SHOWN AS SHARP TO BE R 0.2 MAX.
- e. LETTERING SHALL BE 0.15 MAX RAISED IN 0.25 MAX RECESS PAD. THIS INCLUDES RECYCLING CODE, CAVITY ID, VENDOR IDENTIFICATION, AND CUSTOMER MATERIAL NUMBER.
- f. VISUAL DEFECTS SHALL MEET COSMETIC STANDARD PS-45499-002 (Class B).
- g. LASER MARKING:
- PART NUMBER
 - DAY OF THE YEAR
 - SHIFT
 - YEAR
- FOR ADDITIONAL INFORMATION SEE SECTION 5 UNDER PROCEDURES IN ES-34735-008.
- h. 2X2 CLIP-SLOT DESIGN IS BASED ON USCAR/EWCAP 7mm CLIP SLOT EWCAP - 005 - 7
- 2X3 THRU 2X10 CLIP-SLOT DESIGN IS BASED ON USCAR/EWCAP 11mm CLIP SLOT EWCAP - 005 - 11

| DESCRIPTION | DRAWING NO. |
|-------------|--------------|
| 2X2 | PK-31300-635 |
| 2X3 | PK-31300-903 |
| 2X4 | PK-31300-903 |
| 2X6 | PK-31300-903 |
| 2X8 | PK-31300-903 |
| 2X10 | PK-31300-903 |

| MATING INTERFACE/CONNECTOR DRAWINGS | | |
|-------------------------------------|----------------------|---------------|
| DESCRIPTION | INTERFACE DEFINITION | MOLEX INLINE |
| STANDARD 2X2 | *150-S-004-2-Z02 | SD-33482-0001 |
| UL V0 2X2 | *150-S-004-2-Z02 | SD-33482-0001 |
| STANDARD 2X3 | *150-S-006-2-Z02 | SD-33482-0001 |
| TRANSMISSION 2X3 | *150-S-006-2-Z02 | N/A |
| STANDARD 2X4 | *150-S-008-2-Z02 | SD-33482-0001 |
| UL V0 2X4 | *150-S-008-2-Z02 | SD-33482-0001 |
| STANDARD 2X6 | *150-S-012-2-Z01 | SD-33482-0001 |
| UL V0 2X6 | *150-S-012-2-Z01 | SD-33482-0001 |
| STANDARD 2X8 | *150-S-016-2-Z01 | SD-33482-0001 |
| STANDARD 2X10 | SD-33472-0001 | SD-33482-0001 |
| UL V0 2X10 | SD-33472-0001 | SD-33482-0001 |



| | |
|-----|---|
| C2 | ADDED MOLEX BACKSHELL DETAILS |
| C1 | ADDED 2X6-TRNS.-WITH/WITHOUT CLIPSLOT * |
| C | ADDED 2X10-STD.-WITH CLIPSLOT * |
| B3 | ADD ROW FOR 2X6 V0 ON SHEET 5DIM3# UPDATE TO 25.0 MAX FOR V0DIM11# UPDATE TO 33.85 MAX FOR V0 |
| B2 | ADD 2X6 UL V0 CONFIGURATIONS |
| B1 | UPDATE 2X6 W/O CLIPSLOT DIM G ON TABLE OF SHEET 5 |
| B | ADDED 2X2 - STD- WITH CLIPSLOT, 2X8 - STD- WITH CLIPSLOT AND NOTE h |
| A11 | MINOR GEOMETRY CHANGE FOR UL V0 |
| A10 | UPDATED 2X4 DRAWING NUMBER |
| A9 | UPDATED 2X10 PART NUMBERS |
| A8 | UPDATED 2X3 DRAWING NUMBER |
| A7 | UPDATED 2X10 INTERFACE |
| A6 | ADDED TRANSMISSION REFERENCES |
| A5 | ADD 2X10 INTERFACE SHEETS |
| A4 | ADD UL V0 CONFIGURATIONS |
| A3 | ADDED 2X3 STD AND TRANSMISSION |
| A2 | UPDATED 2X8 BLD DRAWINGS |
| A1 | FIXED TYPO IN NOTE 1a, UPDATED 2X6 MOLEX INLINE BLADE DRAWING |
| A | INITIAL RELEASE |
| REV | REV DESCRIPTION |

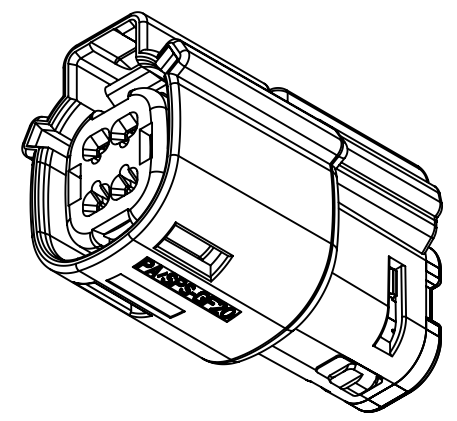
| INSPECTION NUMBER LOG | |
|-----------------------|----|
| LAST NUMBER: | 11 |
| ADDED: | 11 |
| REMOVED: | |

| | | |
|---|--|---|
| SYMBOLS THIS DRAWING CONTAINS INFORMATION THAT IS PROPRIETARY TO MOLEX ELECTRONIC TECHNOLOGIES, LLC AND SHOULD NOT BE USED WITHOUT WRITTEN PERMISSION DIMENSION UNITS: mm SCALE: 1:1 GENERAL TOLERANCES (UNLESS SPECIFIED): ANGULAR TOL: ± 1.0° 4 PLACES: ± 3 PLACES: ± 2 PLACES: ± 0.1 1 PLACE: ± 0.2 0 PLACES: ± DRAFT WHERE APPLICABLE MUST REMAIN WITHIN DIMENSIONS | CURRENT REV DESC: EC NO: 171650 DRWN: DDEB 2018/01/19 CHK'D: MVANSLAMBROU 2018/02/16 APPR: MVANSLAMBROU 2018/02/16 INITIAL REVISION: DRWN: APROFFITT 2014/05/14 APPR: VKOSHY 2014/06/27 | <p>MX150 RCPT DUAL ROW SEALED ASSEMBLY MAT SEAL</p> <p>PRODUCT CUSTOMER DRAWING</p> |
| | DOCUMENT NUMBER: SD-33472-0001 DOC TYPE: PSD DOC PART: 001 REVISION: C2 | |
| MATERIAL NUMBER: A1-SIZE CUSTOMER: 33472 SERIES: 33472 SHEET NUMBER: 1 OF 11 | GENERAL MARKET | SHEET NUMBER: 1 OF 11 |

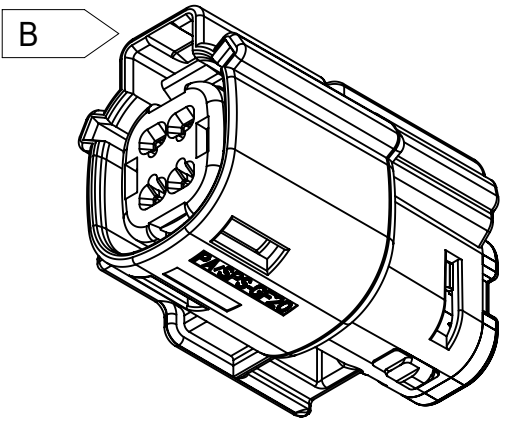
| DOCUMENT STATUS | RELEASE DATE | 2018/02/16 | 22:02:25 |
|-----------------|--------------|------------|----------|
| P1 | | | |

SHEET DESCRIPTION

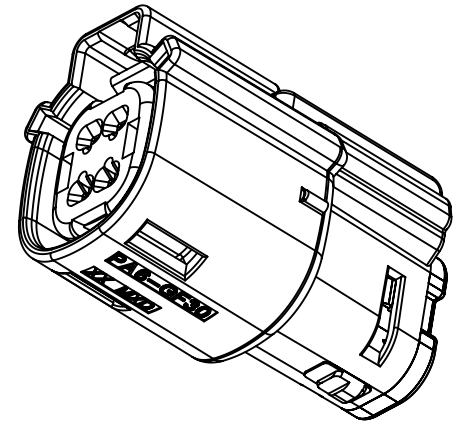
CONFIGURATIONS



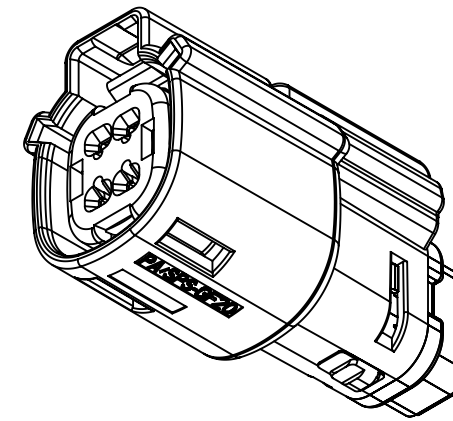
2X2 - STD.
2X2 - TRNS. - SILICONE FREE †



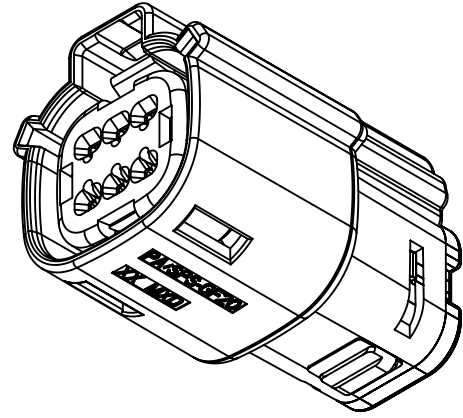
2X2 - STD. - WITH CLIPSLOT *



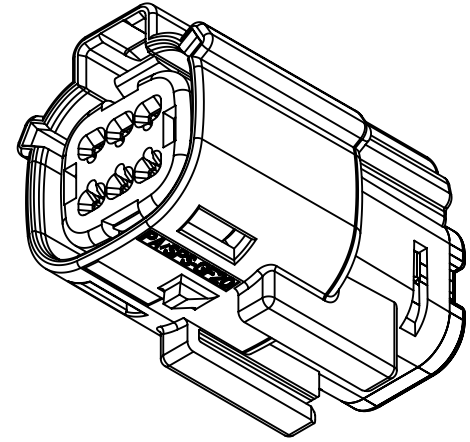
† 2X2 - UL V0



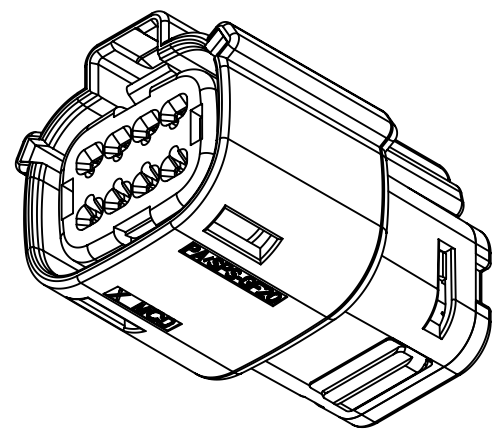
2X2 - STD. - LENGTHENED



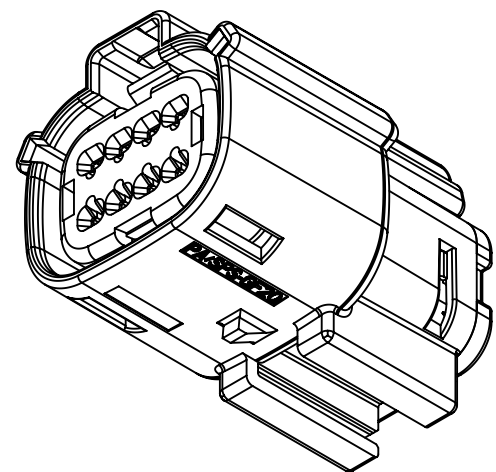
2X3 - STD.
2X3 - TRNS. - CONTAINS SILICONE †



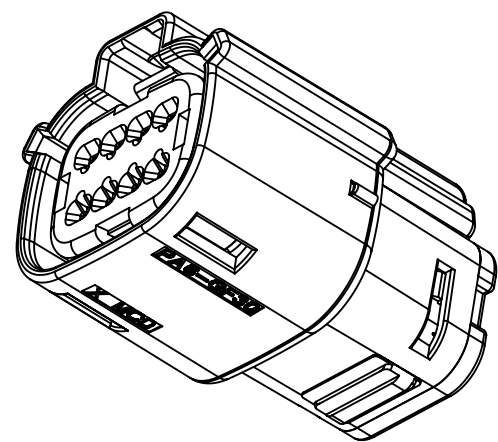
2X3 - STD. - WITH CLIPSLOT *



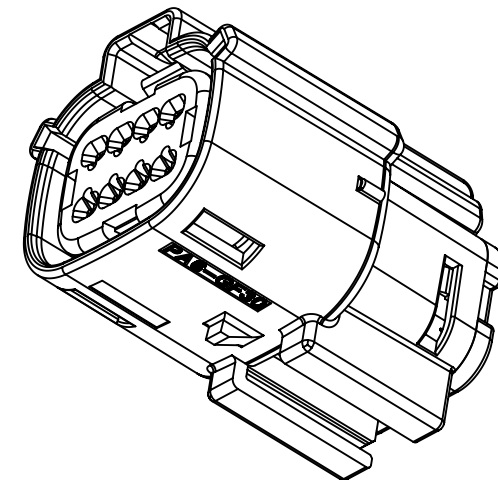
2X4 - STD.



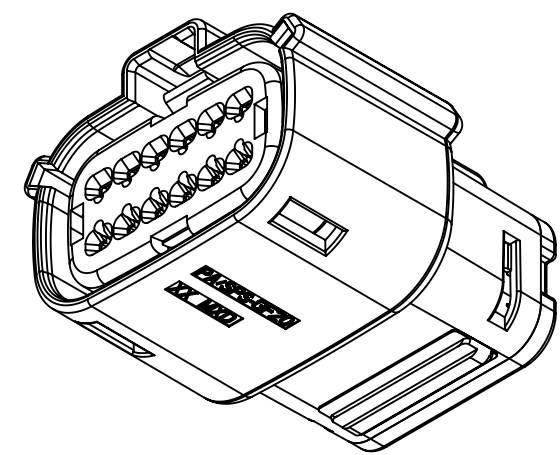
2X4 - STD. - WITH CLIPSLOT *



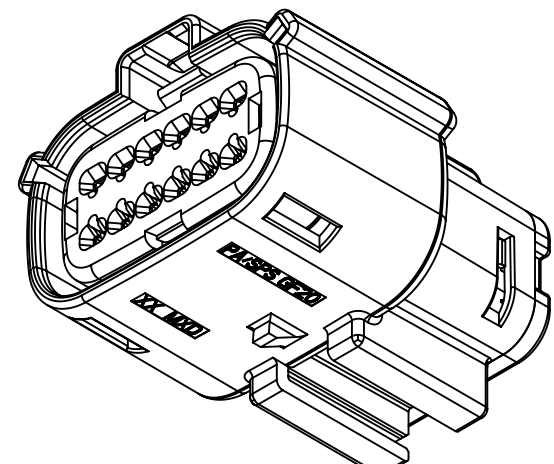
† 2X4 - UL V0



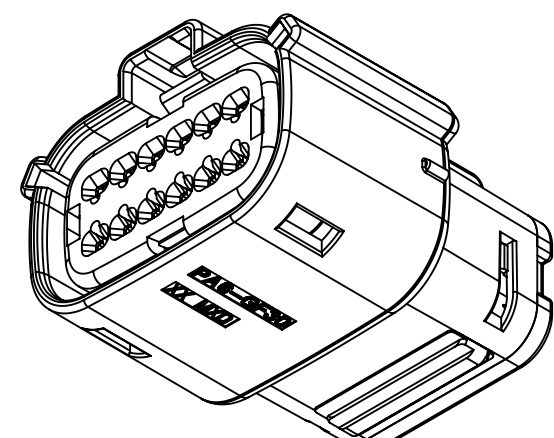
† 2X4 - UL V0-WITH CLIPSLOT*



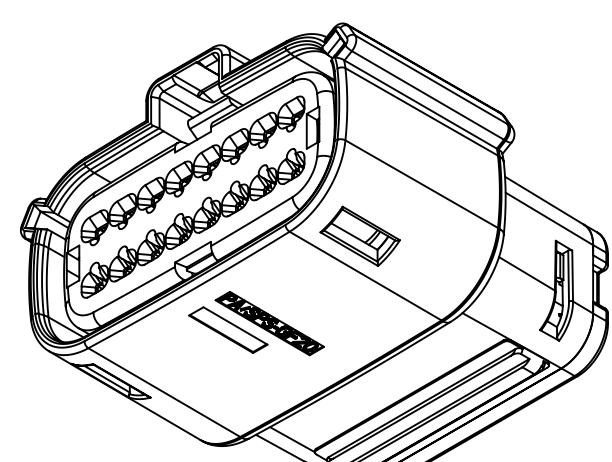
2X6 - STD.
C1 † 2X6 - TRNS.



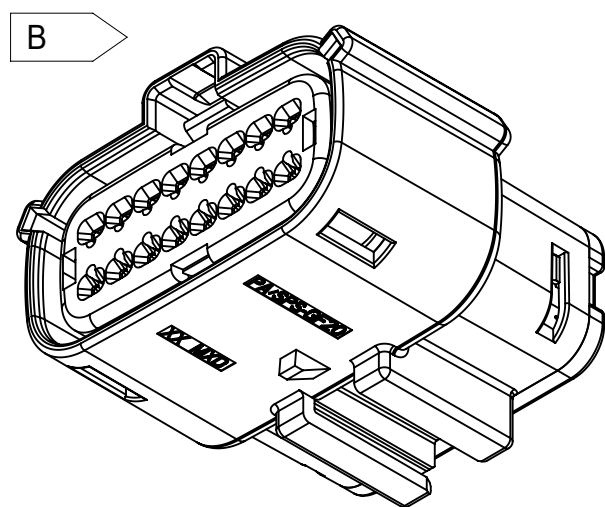
2X6 - STD. - WITH CLIPSLOT *
C1 † 2X6 - TRNS. - WITH CLIPSLOT *



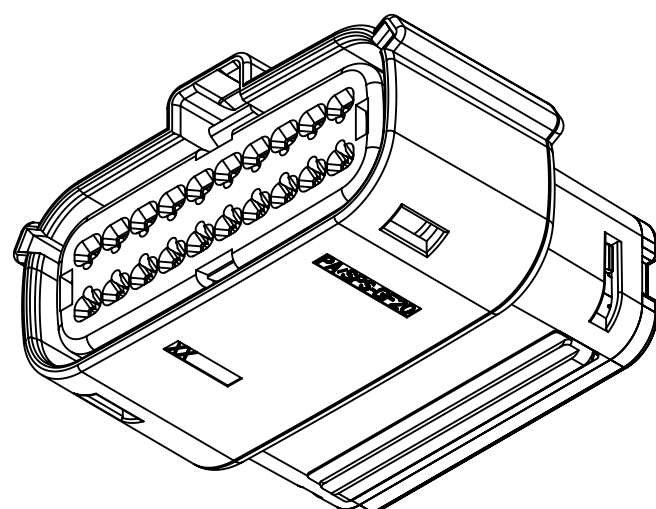
† 2X6 - UL V0



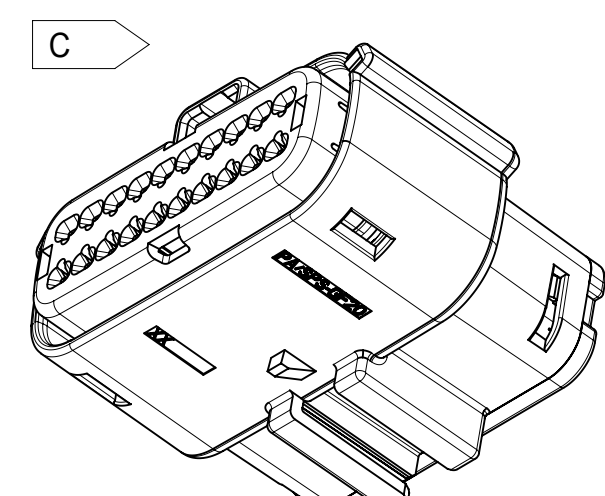
2X8 - STD.



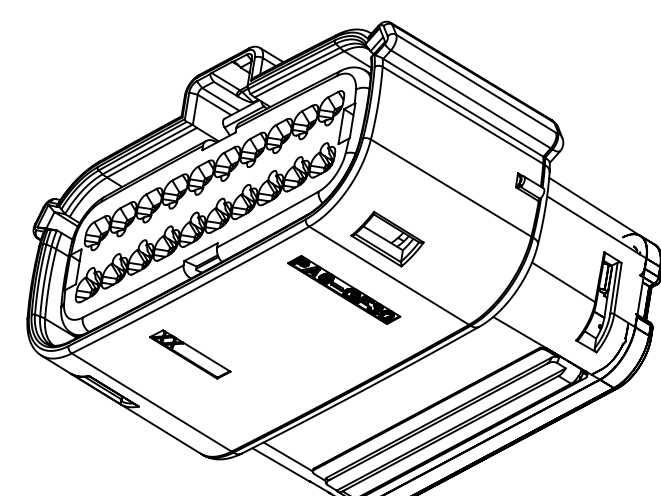
2X8 - STD. - WITH CLIPSLOT *



2X10 - STD.



2X10 - STD. - WITH CLIPSLOT *



† 2X10 - UL V0

* WITH CLIPSLOT CONFIGURATION DOES NOT MEET THE USCAR PACKAGING FRAME REQUIREMENTS
† MINOR GEOMETRY DIFFERENCE THAN STANDARD CONFIGURATION
SEE NOTES 1a & 2a-b FOR MORE INFORMATION

| SYMBOLS | | THIS DRAWING CONTAINS INFORMATION THAT IS PROPRIETARY TO MOLEX ELECTRONIC TECHNOLOGIES, LLC AND SHOULD NOT BE USED WITHOUT WRITTEN PERMISSION | | CURRENT REV DESC: | | DOCUMENT NUMBER | | DOC TYPE DOC PART REVISION | | |
|---------|-----|---|-------|--------------------------------|--|-----------------|--|--------------------------------|-----|----|
| | = 0 | DIMENSION UNITS | SCALE | | | SD-33472-0001 | | PSD | 001 | C2 |
| | = 0 | mm | 1:1 | | | | | | | |
| | = 0 | GENERAL TOLERANCES (UNLESS SPECIFIED) | | EC NO: 171650 | | | | | | |
| | = 0 | ANGULAR TOL ± 1.0° | | DRWN: DDEB 2018/01/19 | | | | | | |
| | = 0 | 4 PLACES | ± | CHK'D: MVANSLAMBROU 2018/02/16 | | | | | | |
| | = 0 | 3 PLACES | ± | APPR: MVANSLAMBROU 2018/02/16 | | | | | | |
| | = 0 | 2 PLACES | ± 0.1 | INITIAL REVISION: | | | | | | |
| | = 0 | 1 PLACE | ± 0.2 | DRWN: APROFFITT 2014/05/14 | | | | | | |
| | = 0 | 0 PLACES | ± | APPR: VKOSHY 2014/06/27 | | | | | | |
| | = 0 | DRAFT WHERE APPLICABLE MUST REMAIN WITHIN DIMENSIONS | | THIRD ANGLE PROJECTION | | DRAWING | | SERIES | | |
| | = 0 | | | | | A1-SIZE | | 33472 | | |
| | | | | MATERIAL NUMBER | | CUSTOMER | | SHEET NUMBER | | |
| | | | | | | GENERAL MARKET | | 2 OF 11 | | |

molex

MX150 RCPT
DUAL ROW SEALED ASSEMBLY MAT SEAL

PRODUCT CUSTOMER DRAWING

SD-33472-0001

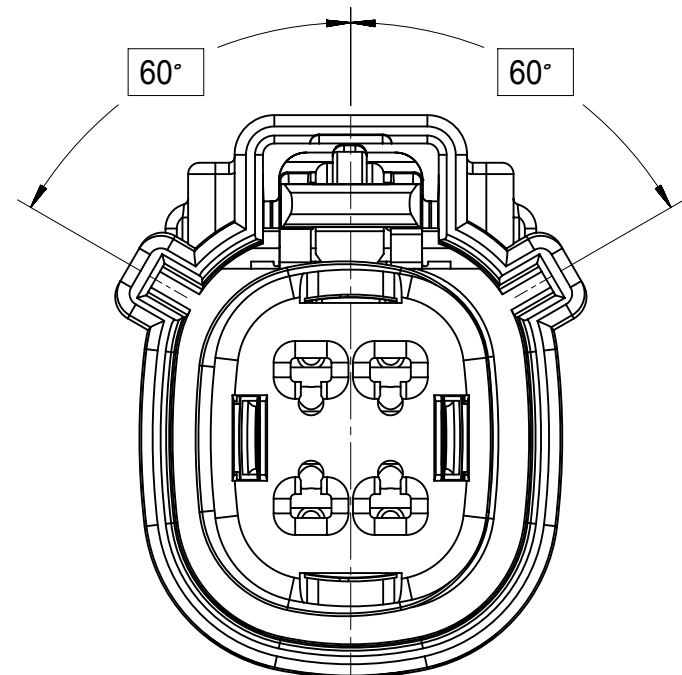
PSD 001 C2

GENERAL MARKET 2 OF 11

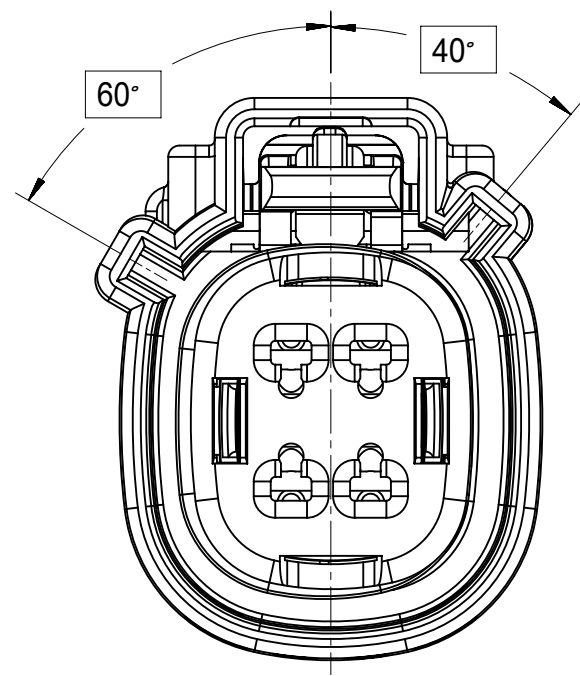
SHEET DESCRIPTION

KEY CONFIGURATIONS

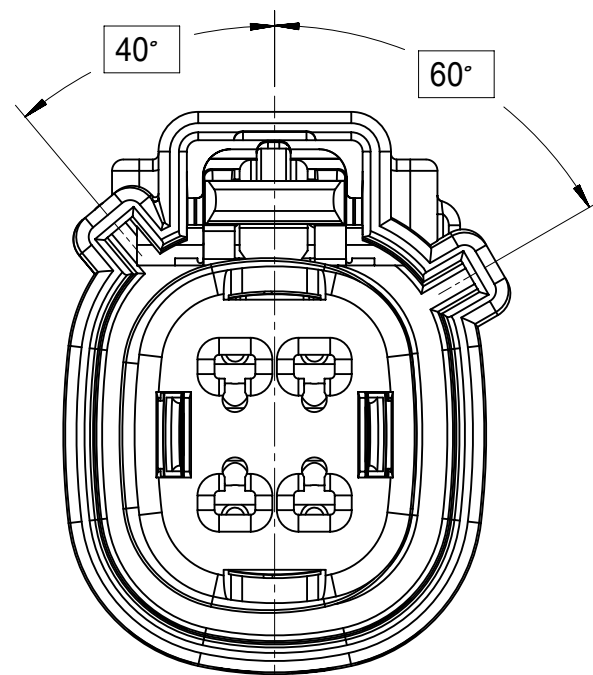
2X2



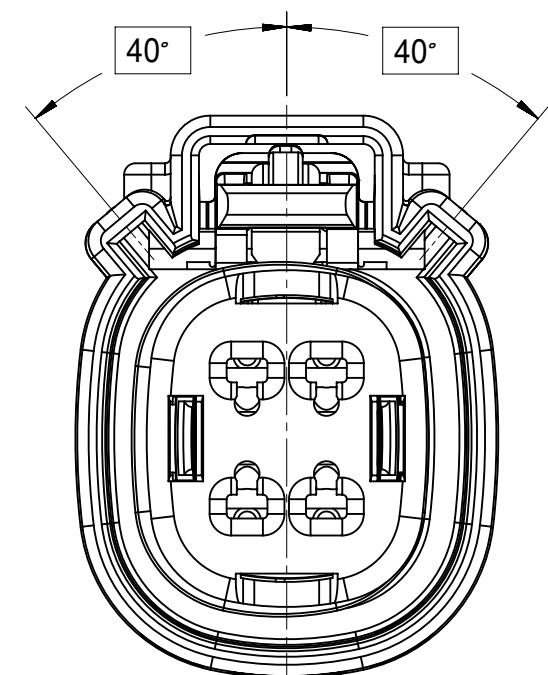
KEY A



KEY B

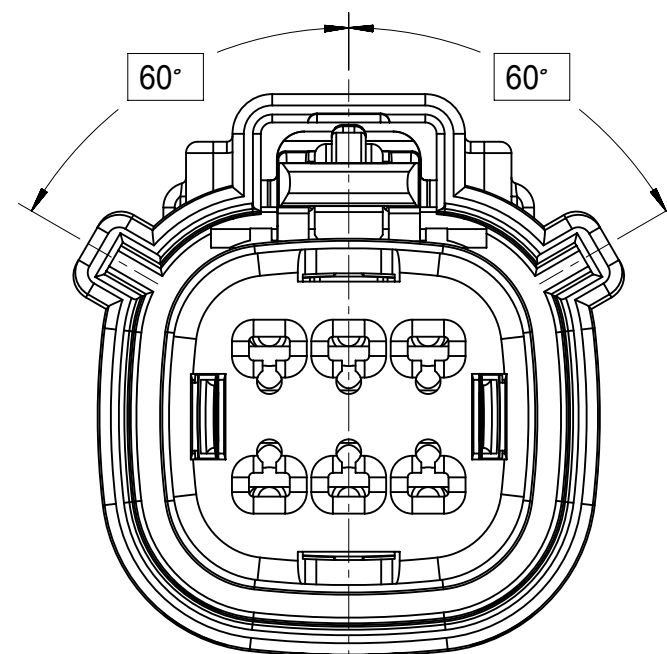


KEY C

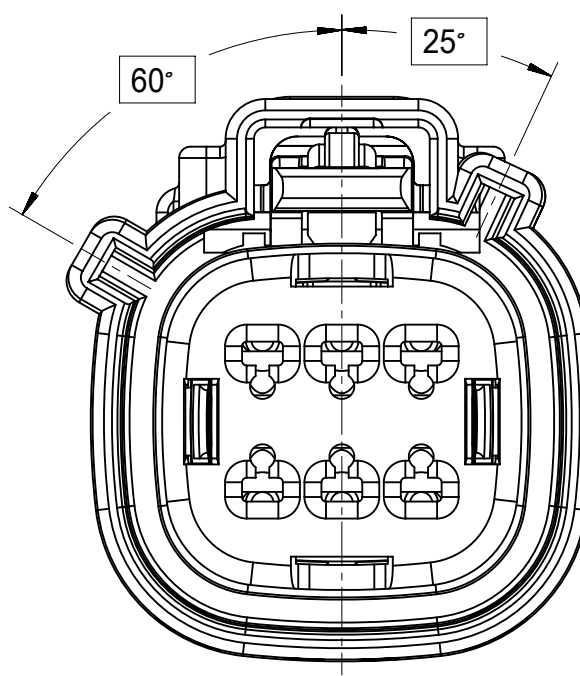


KEY D

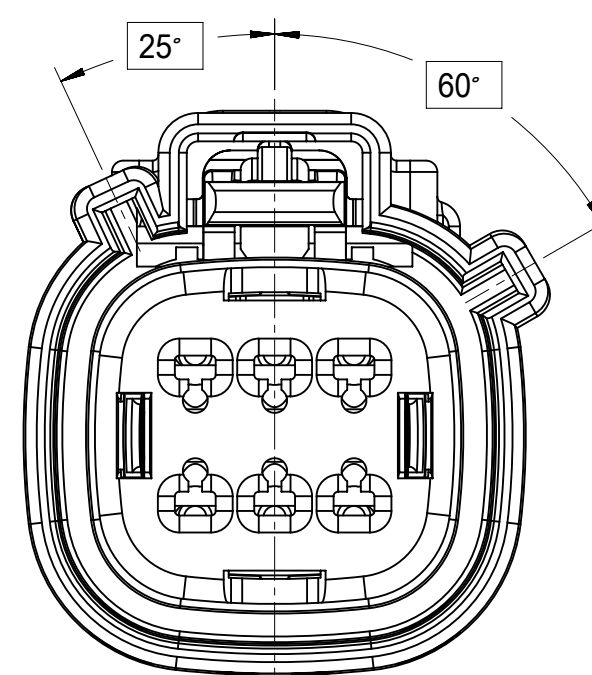
2X3



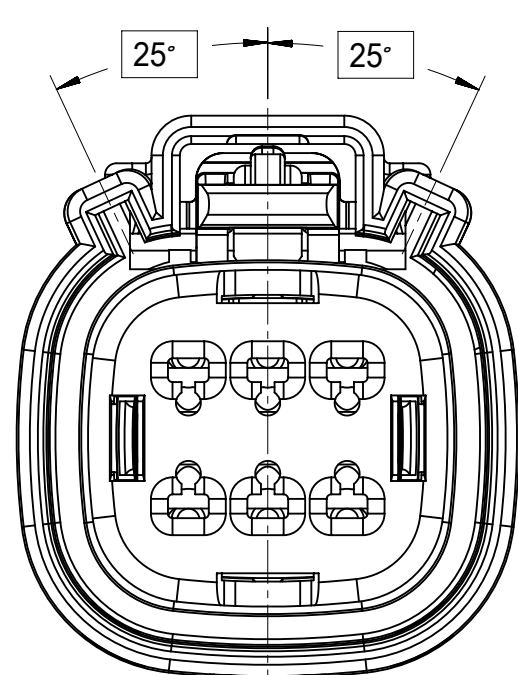
KEY A



KEY B

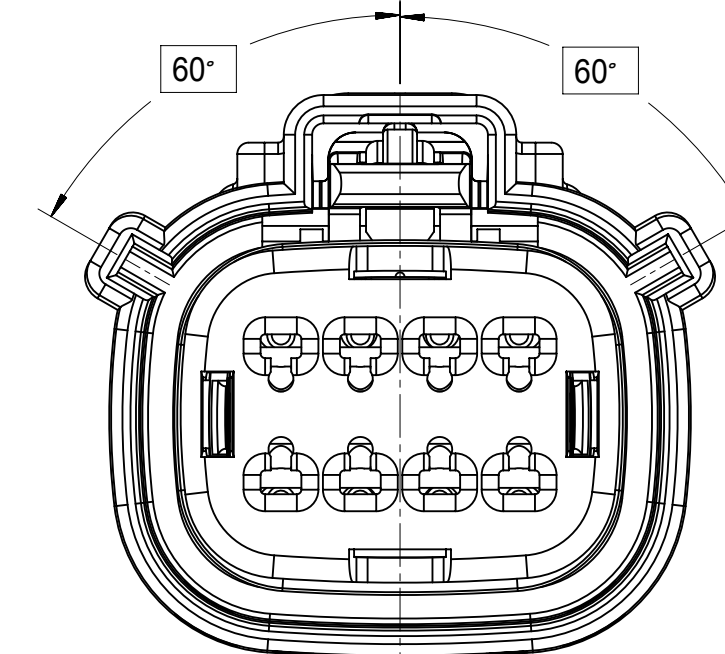


KEY C

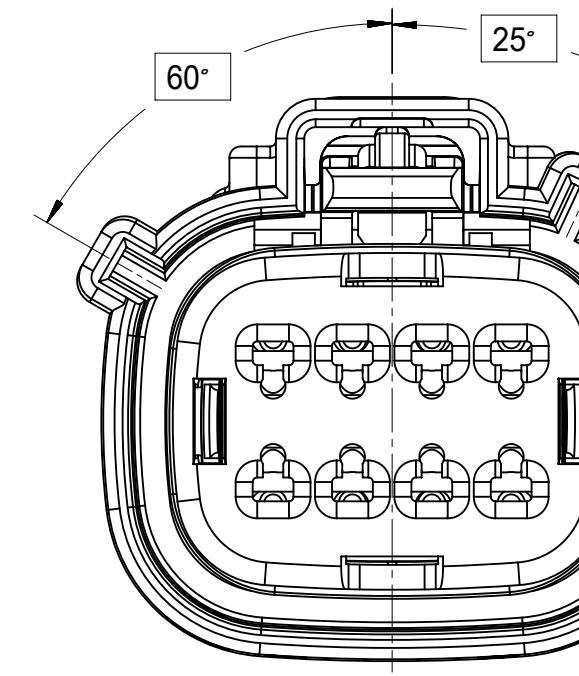


KEY D

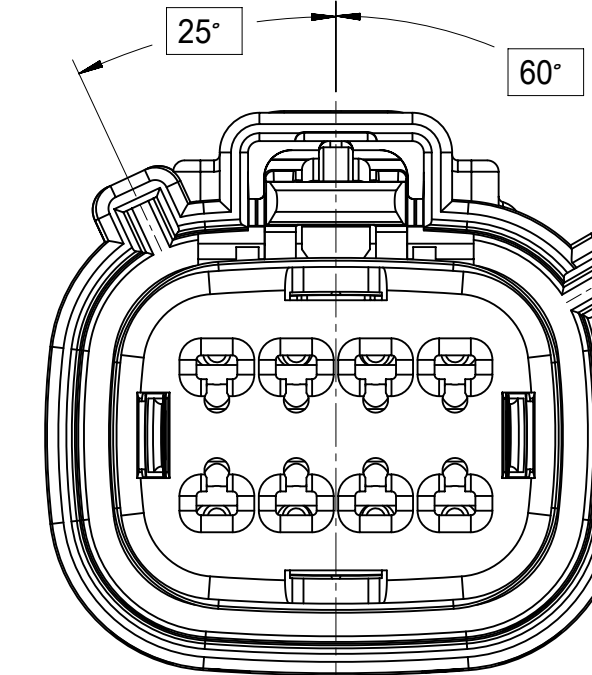
2X4



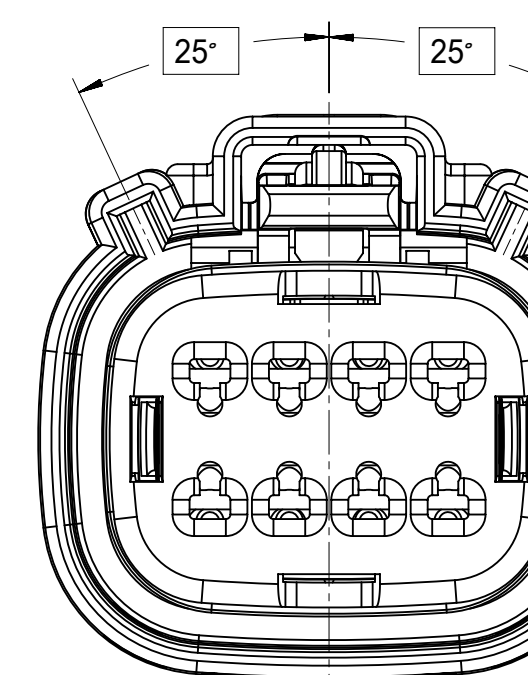
KEY A



KEY B



KEY C



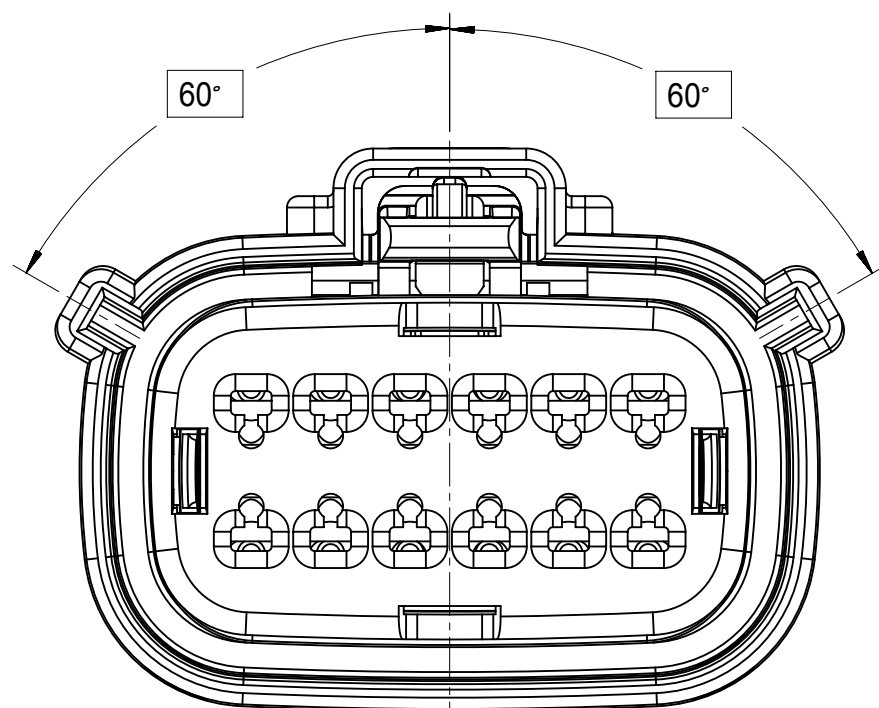
KEY D

| | | | | | | |
|--|--|--|--|--|--|--|
| SYMBOLS = 0 = 0 = 0 = 0 = 0 = 0 = 0 = 0 = 0 = 0 | THIS DRAWING CONTAINS INFORMATION THAT IS PROPRIETARY TO MOLEX ELECTRONIC TECHNOLOGIES, LLC AND SHOULD NOT BE USED WITHOUT WRITTEN PERMISSION | DIMENSION UNITS: mm SCALE: 1:1 | CURRENT REV DESC: EC NO: 171650 DRWN: DDEB 2018/01/19 CHK'D: MVANSLAMBROU 2018/02/16 APPR: MVANSLAMBROU 2018/02/16 | | | |
| | GENERAL TOLERANCES (UNLESS SPECIFIED) ANGULAR TOL ± 1.0° 4 PLACES ± 3 PLACES ± 2 PLACES ± 0.1 1 PLACE ± 0.2 0 PLACES ± DRAFT WHERE APPLICABLE MUST REMAIN WITHIN DIMENSIONS | INITIAL REVISION: DRWN: APROFFITT 2014/05/14 APPR: VKOSHY 2014/06/27 | PRODUCT CUSTOMER DRAWING DOCUMENT NUMBER: SD-33472-0001 DOC TYPE: PSD DOC PART: 001 REVISION: C2 | | MATERIAL NUMBER: 33472 CUSTOMER: GENERAL MARKET SHEET NUMBER: 3 OF 11 | |

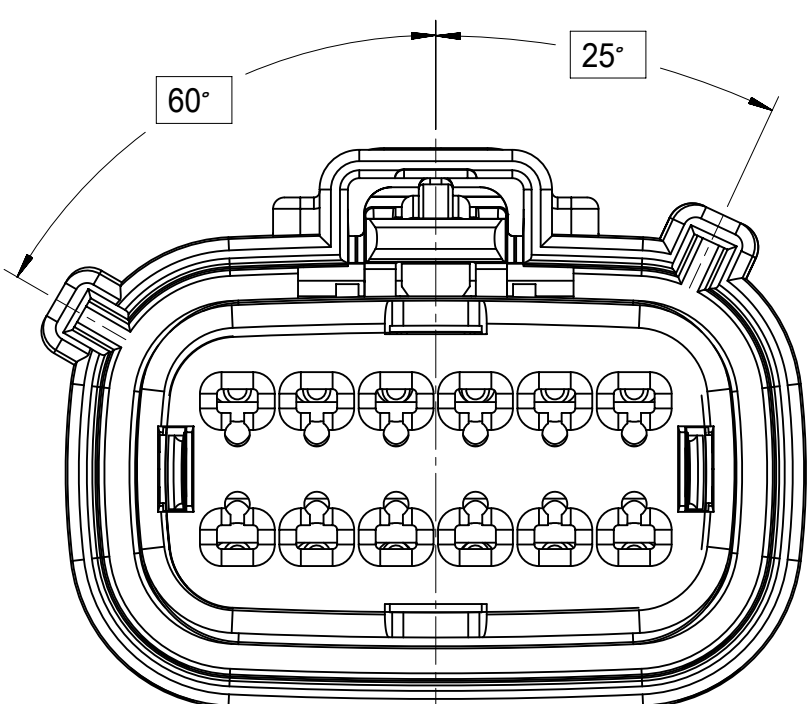
SHEET DESCRIPTION

KEY CONFIGURATIONS CONT.

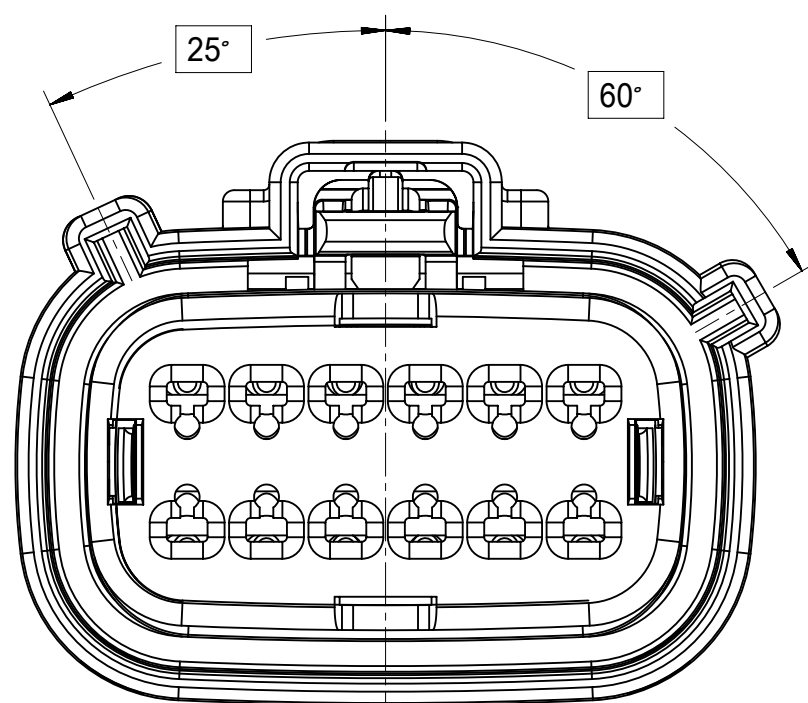
2X6



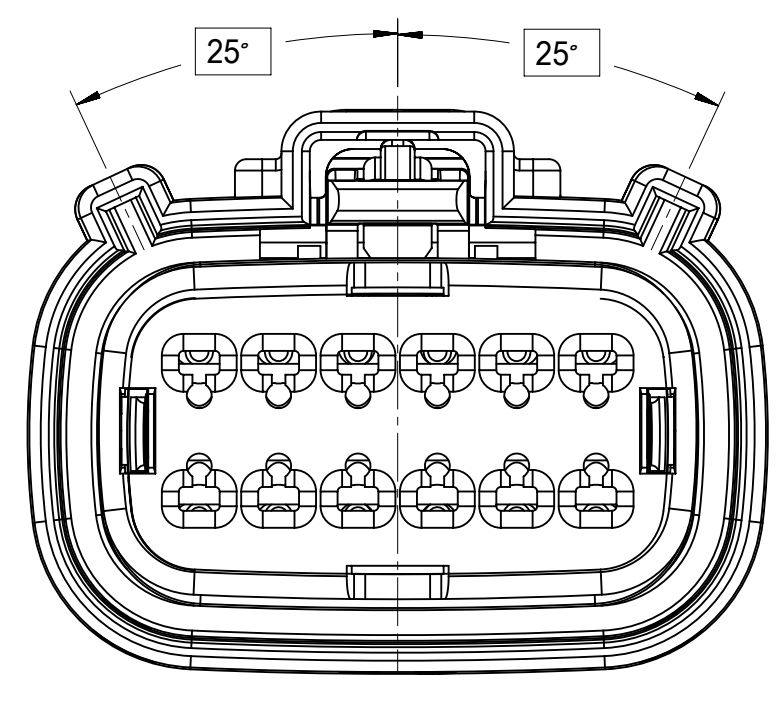
KEY A



KEY B

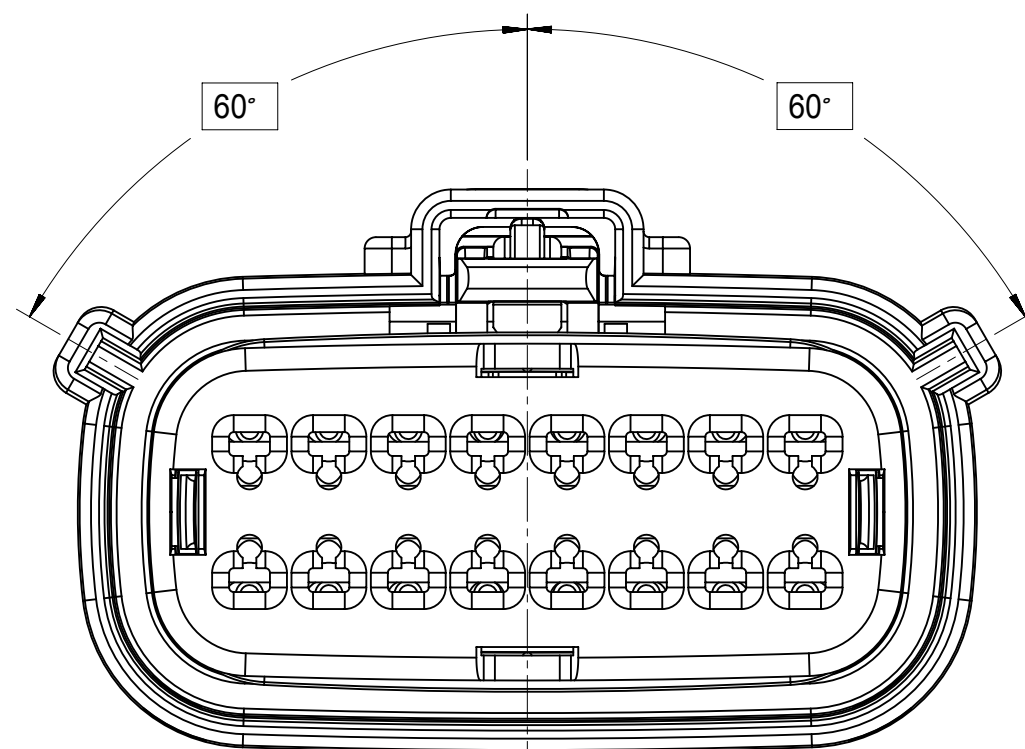


KEY C

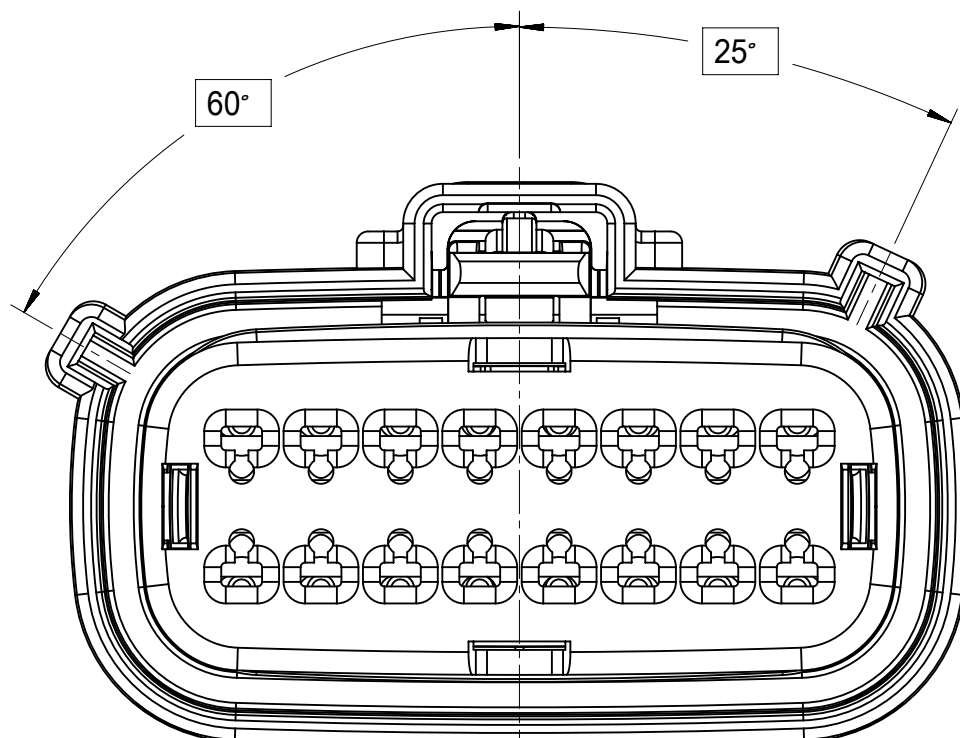


KEY D

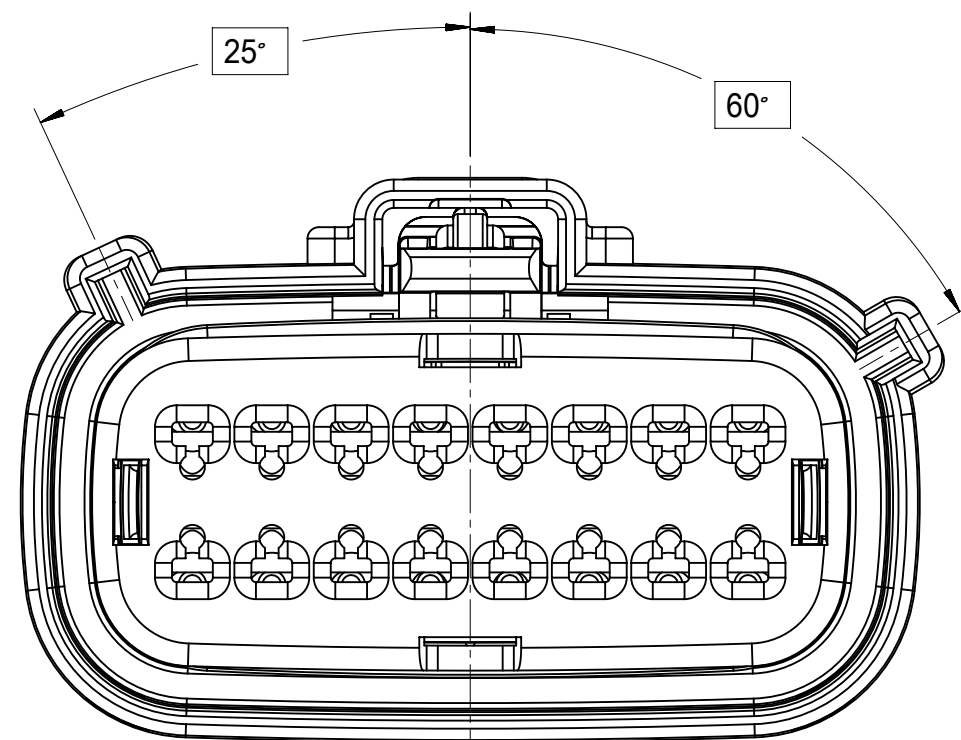
2X8



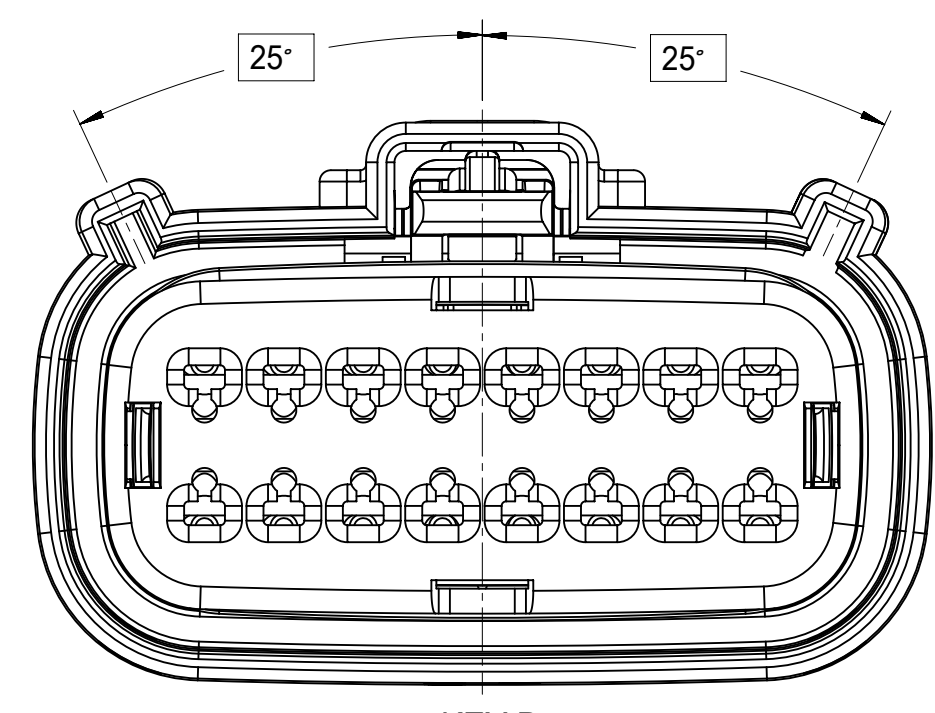
KEY A



KEY B

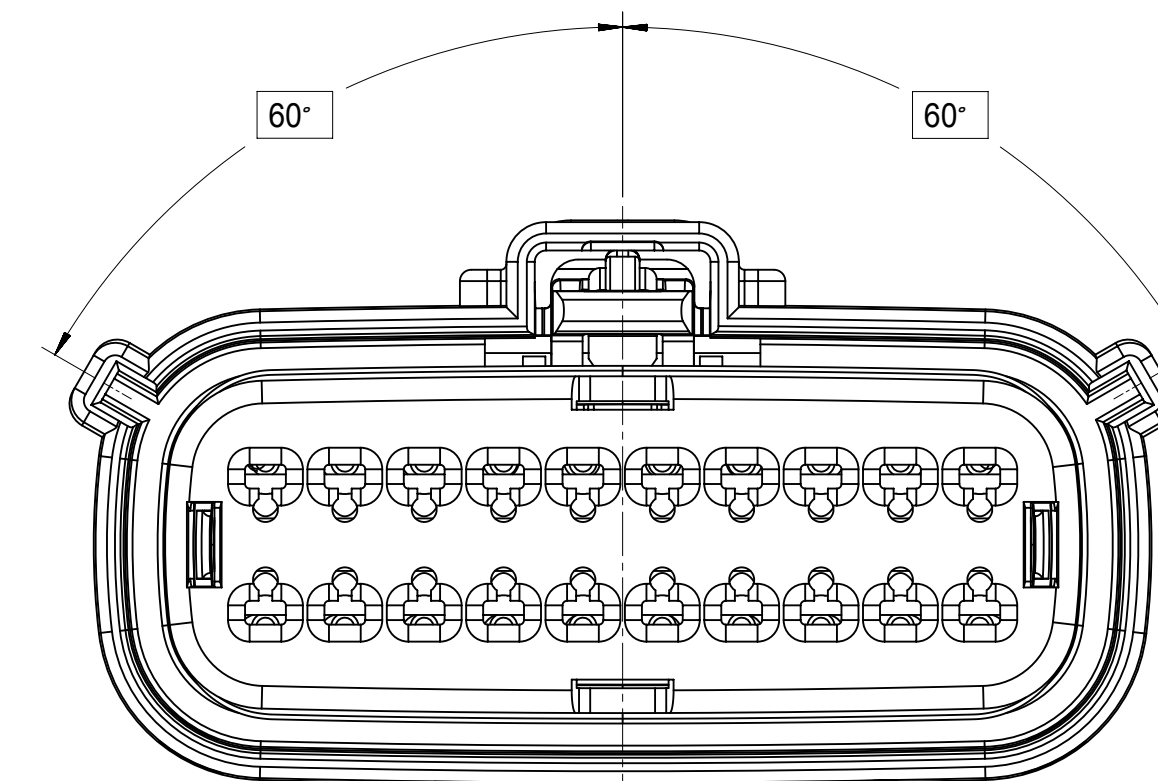


KEY C

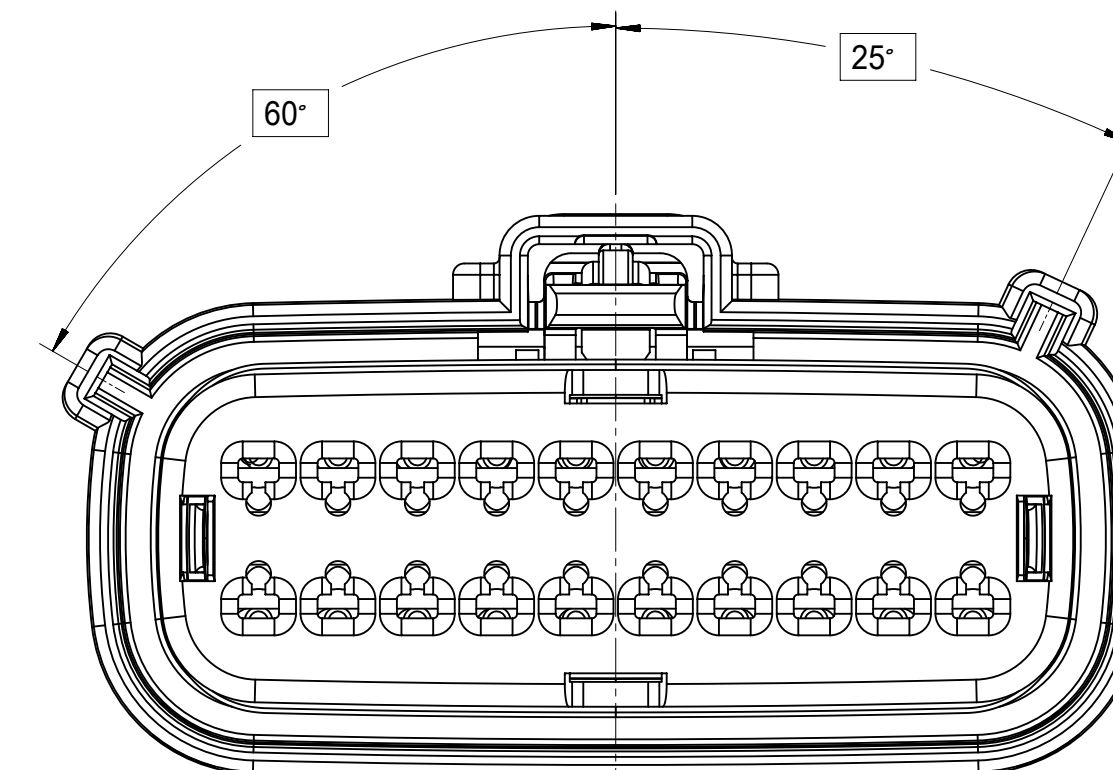


KEY D

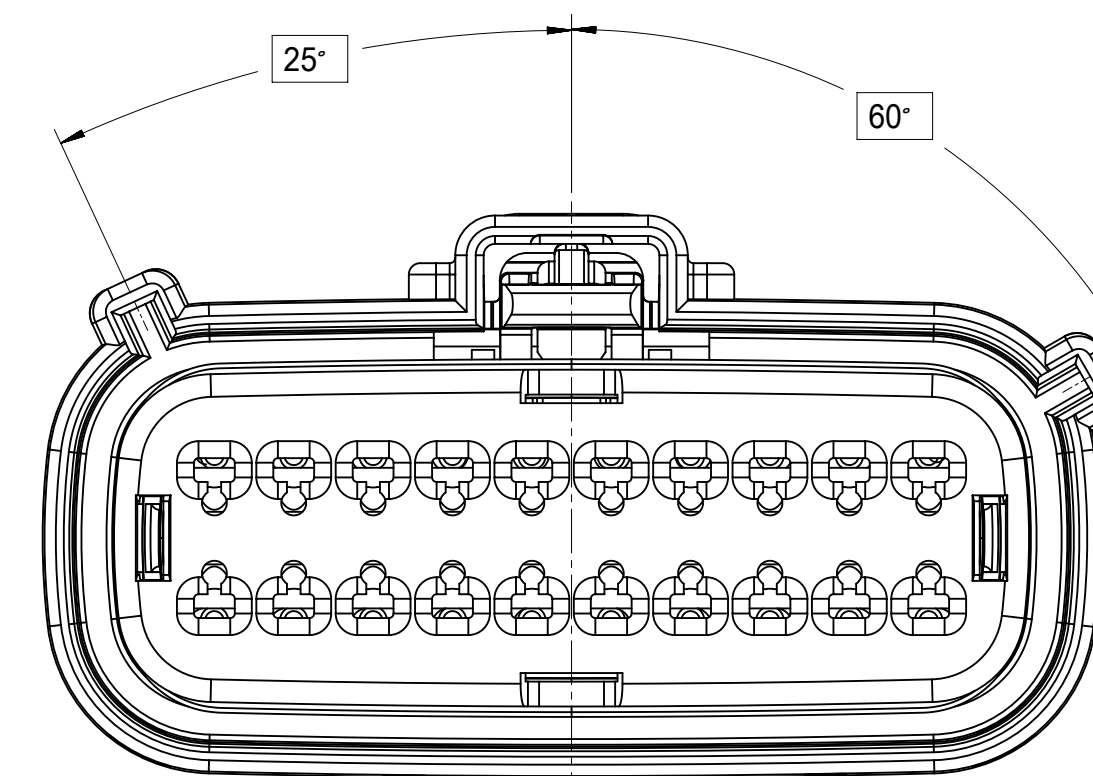
2X10



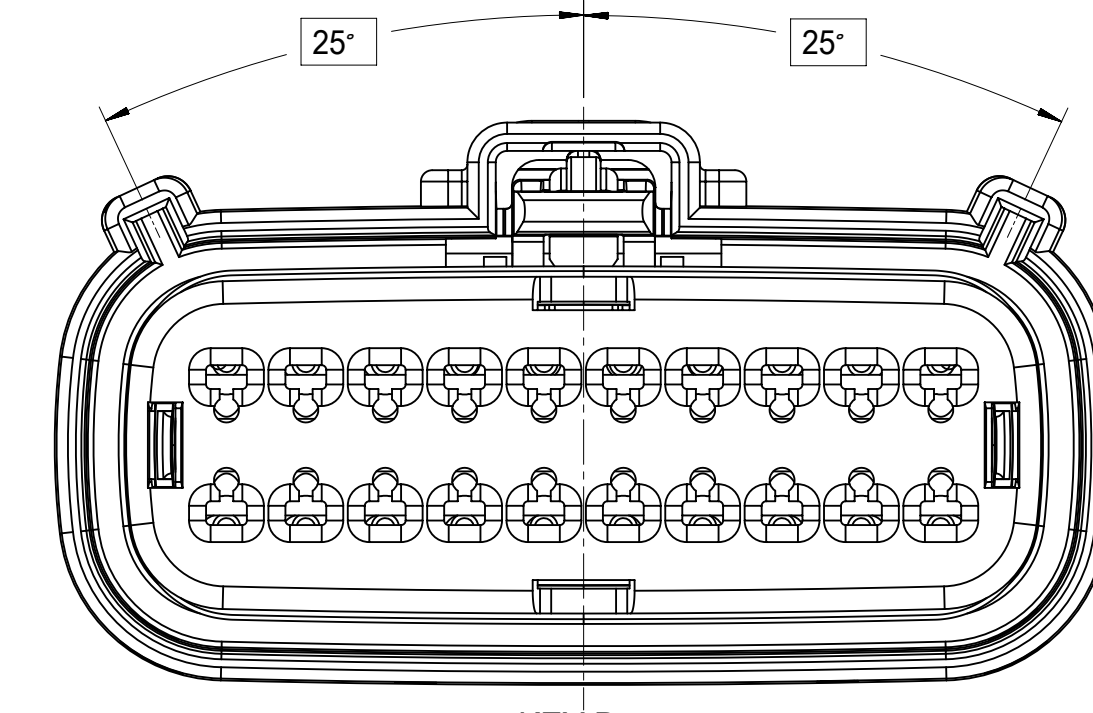
KEY A



KEY B



KEY C



KEY D

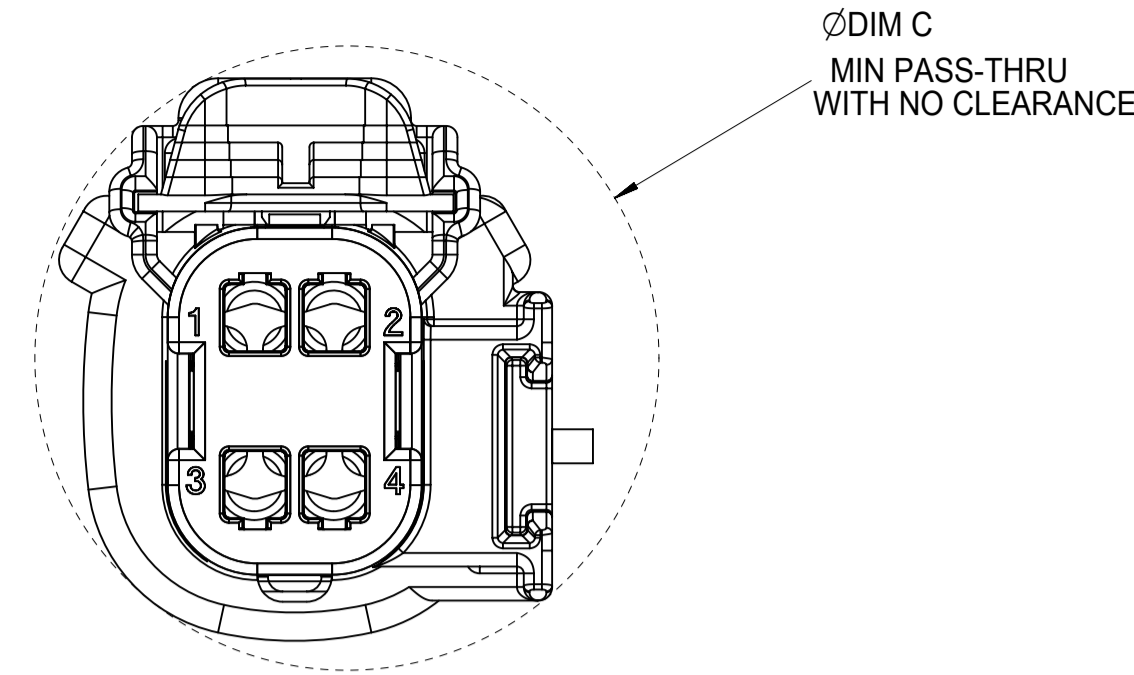
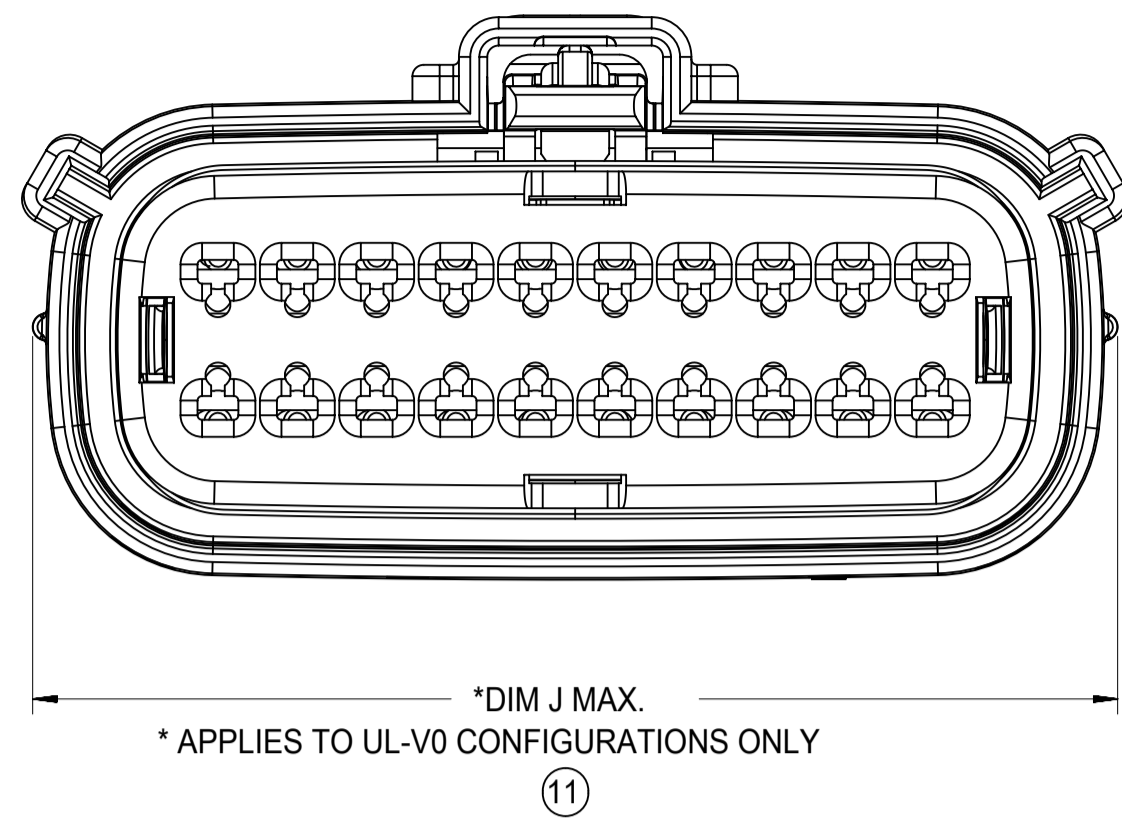
| | | | | | |
|---|--|--|---|--|--|
| SYMBOLS = 0 = 0 = 0 = 0 = 0 = 0 = 0 = 0 = 0 | THIS DRAWING CONTAINS INFORMATION THAT IS PROPRIETARY TO MOLEX ELECTRONIC TECHNOLOGIES, LLC AND SHOULD NOT BE USED WITHOUT WRITTEN PERMISSION DIMENSION UNITS: mm SCALE: 1:1 | CURRENT REV DESC: EC NO: 171650 DRWN: DDEB 2018/01/19 CHK'D: MVANSLAMBROU 2018/02/16 APPR: MVANSLAMBROU 2018/02/16 | MX150 RCPT DUAL ROW SEALED ASSEMBLY MAT SEAL PRODUCT CUSTOMER DRAWING | | |
| | GENERAL TOLERANCES (UNLESS SPECIFIED) ANGULAR TOL ± 1.0° 4 PLACES ± 3 PLACES ± 2 PLACES ± 0.1 1 PLACE ± 0.2 0 PLACES ± | INITIAL REVISION: DRWN: APROFFITT 2014/05/14 APPR: VKOSHY 2014/06/27 | | | |
| DRAFT WHERE APPLICABLE MUST REMAIN WITHIN DIMENSIONS | THIRD ANGLE PROJECTION: DRAWING: A1-SIZE SERIES: 33472 | MATERIAL NUMBER: GENERAL MARKET CUSTOMER: 4 OF 11 | | | |

SHEET DESCRIPTION

RECEPTACLE CONNECTOR ASSEMBLY

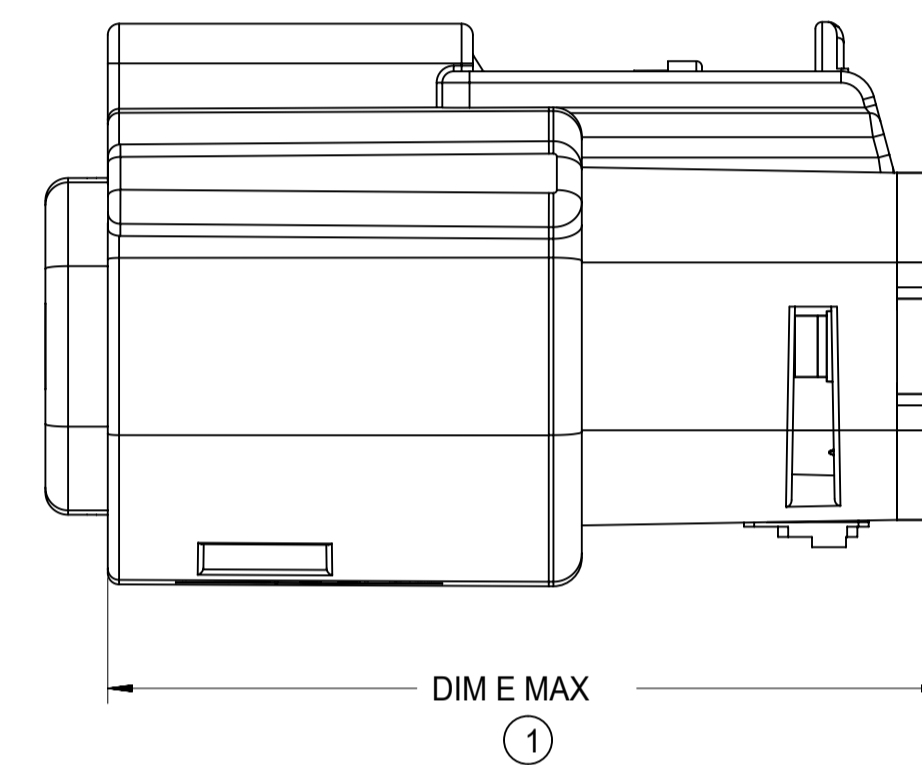
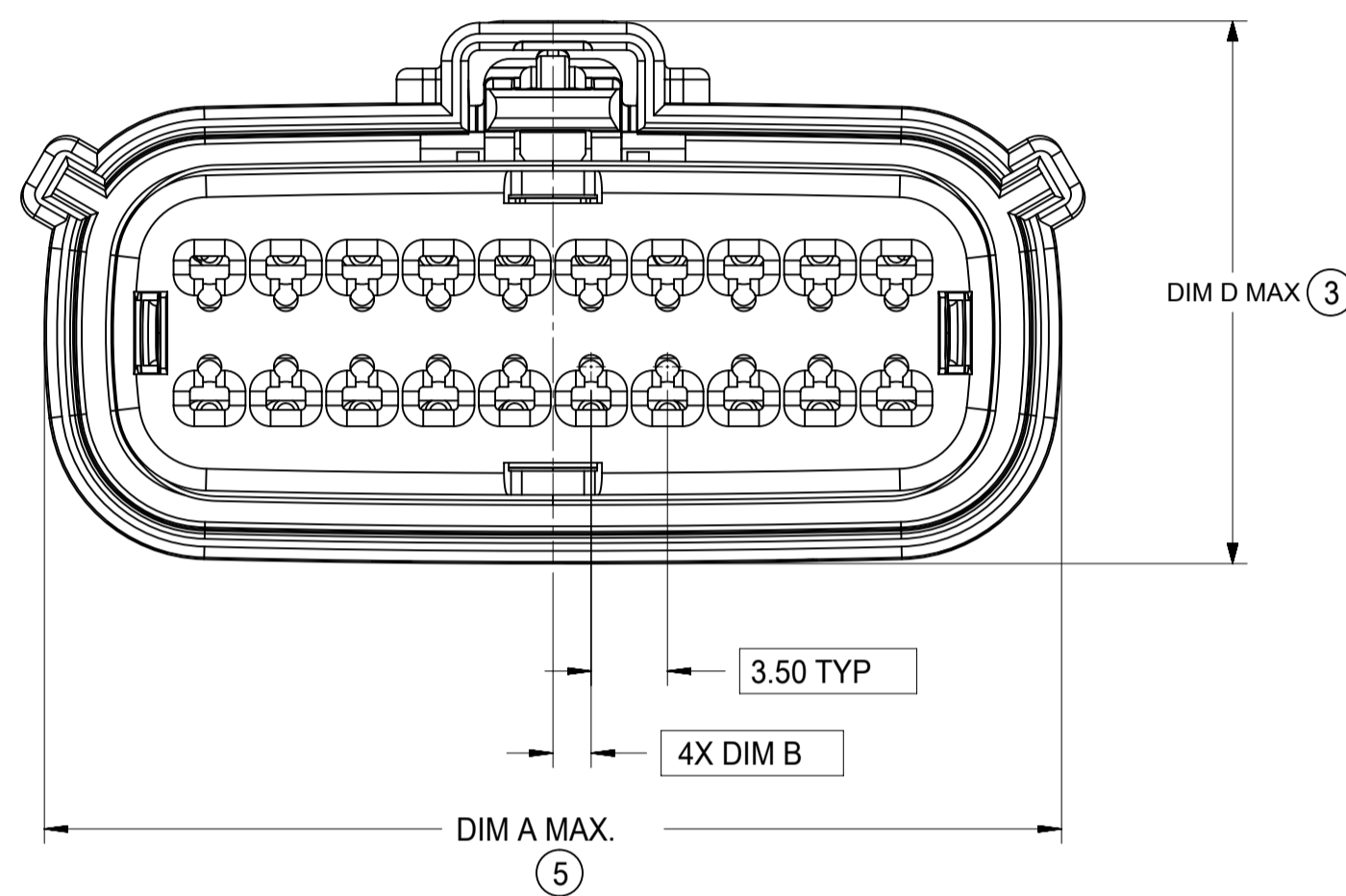
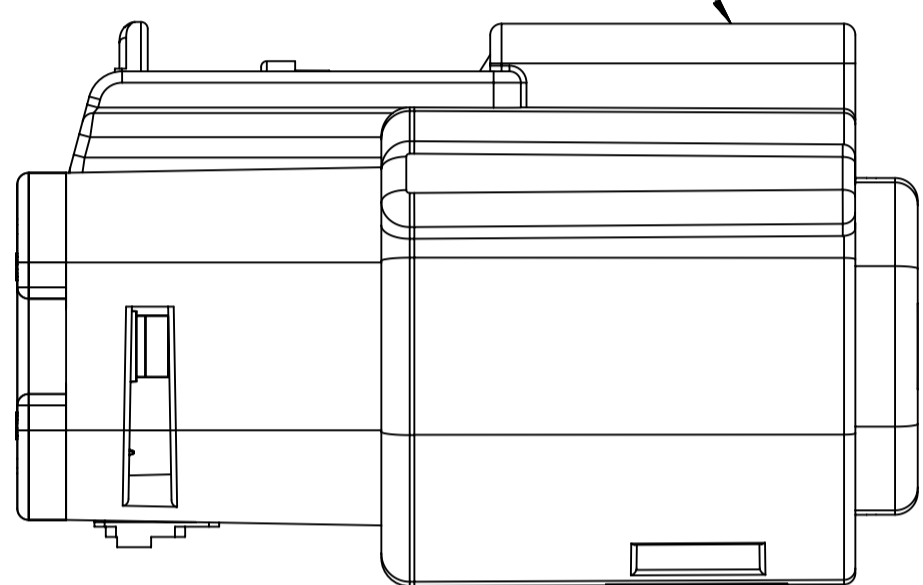
CHARTED DIMENSIONS

| DESCRIPTION | DIMENSIONS | | | | | | |
|---------------------|------------|------|-------|-------|-------|-------|-----------|
| | A | B | C | D | E | F | J |
| 2X2 W/O CLIPSLOT | 18.58 | 1.75 | 25.45 | 24.81 | 37.65 | N/A | 2.75±0.50 |
| 2X2 W/ CLIPSLOT | 18.58 | 1.75 | 27.65 | 24.81 | 37.65 | N/A | 2.75±0.50 |
| 2X2 LENGTHENED | 18.58 | 1.75 | 25.45 | 24.81 | 42.25 | N/A | 2.75±0.50 |
| 2X3 W/ CLIPSLOT | 22.25 | 3.5 | 30.50 | N/A | 37.65 | 27.96 | 4.0±0.4 |
| 2X3 W/O CLIPSLOT | 22.25 | 3.5 | 26.24 | 24.90 | 37.65 | N/A | 4.0±0.4 |
| 2X4 W/ CLIPSLOT | 25.75 | 1.75 | 31.50 | N/A | 37.65 | 28.00 | 2.75±0.50 |
| 2X4 W/O CLIPSLOT | 25.75 | 1.75 | 29.19 | 24.81 | 37.65 | N/A | 2.75±0.50 |
| 2X6 W/ CLIPSLOT | 32.75 | 1.75 | 35.58 | N/A | 37.65 | 27.76 | 2.75±0.50 |
| 2X6 W/O CLIPSLOT | 32.75 | 1.75 | 35.58 | 24.90 | 37.65 | N/A | 2.75±0.50 |
| 2X6 W/O CLIPSLOT V0 | 32.75 | 1.75 | 35.58 | 25.0 | 37.65 | N/A | 2.75±0.50 |
| 2X8 W/O CLIPSLOT | 39.80 | 1.75 | 42.25 | 24.90 | 37.65 | N/A | 4.0±0.4 |
| 2X8 W/ CLIPSLOT | 39.80 | 1.75 | 42.25 | N/A | 37.65 | 27.80 | 4.0±0.4 |
| 2X10 W/O CLIPSLOT | 46.75 | 1.75 | 49.95 | 24.90 | 37.65 | N/A | 2.75±0.50 |
| 2X10 W/ CLIPSLOT | 46.75 | 1.75 | 49.95 | N/A | 37.65 | 27.80 | 2.75±0.50 |

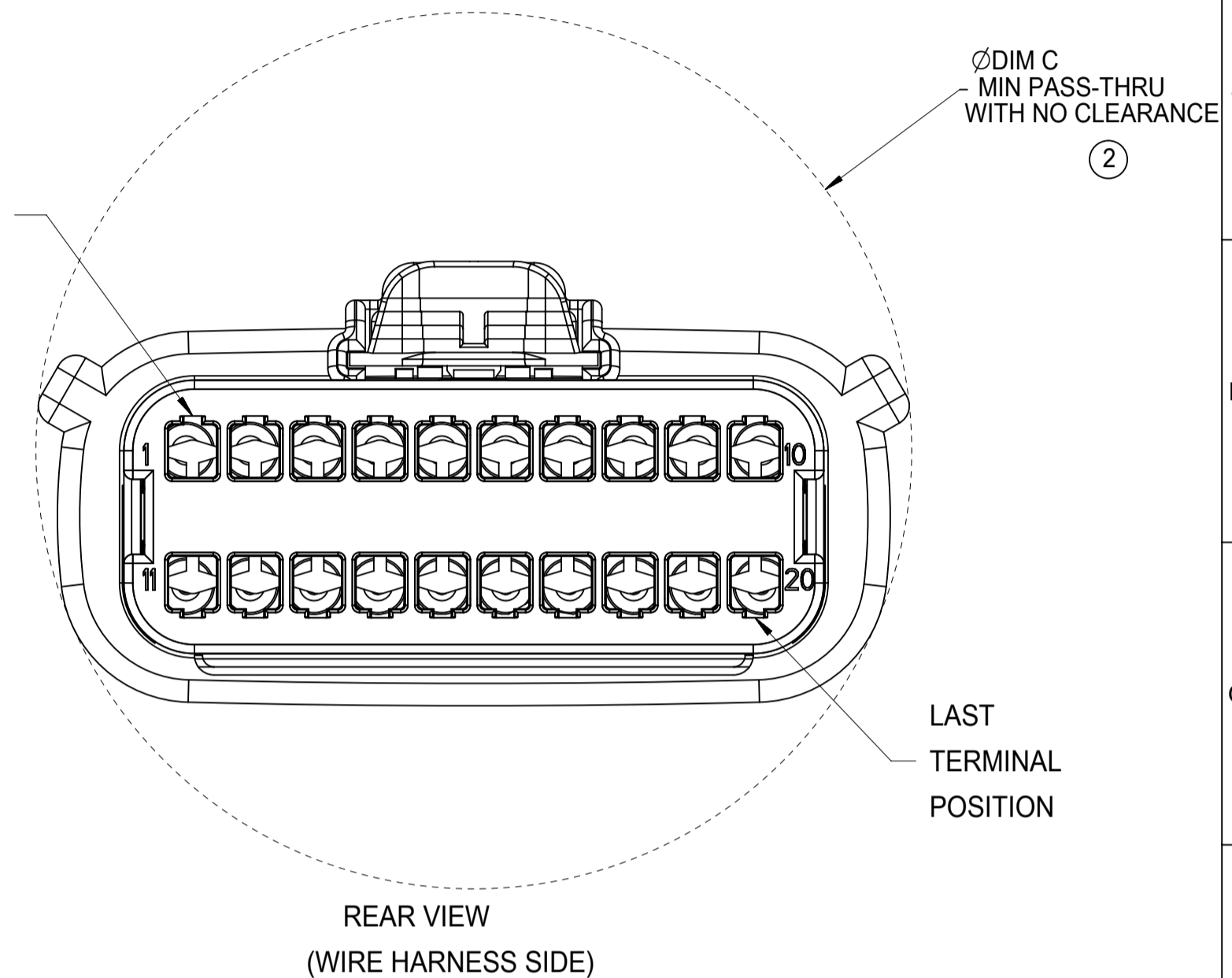


B APPLIES TO 2X2 - STD. - WITH CLIPSLOT ONLY

LASER MARKING ON THIS SURFACE
SEE NOTE 3g.



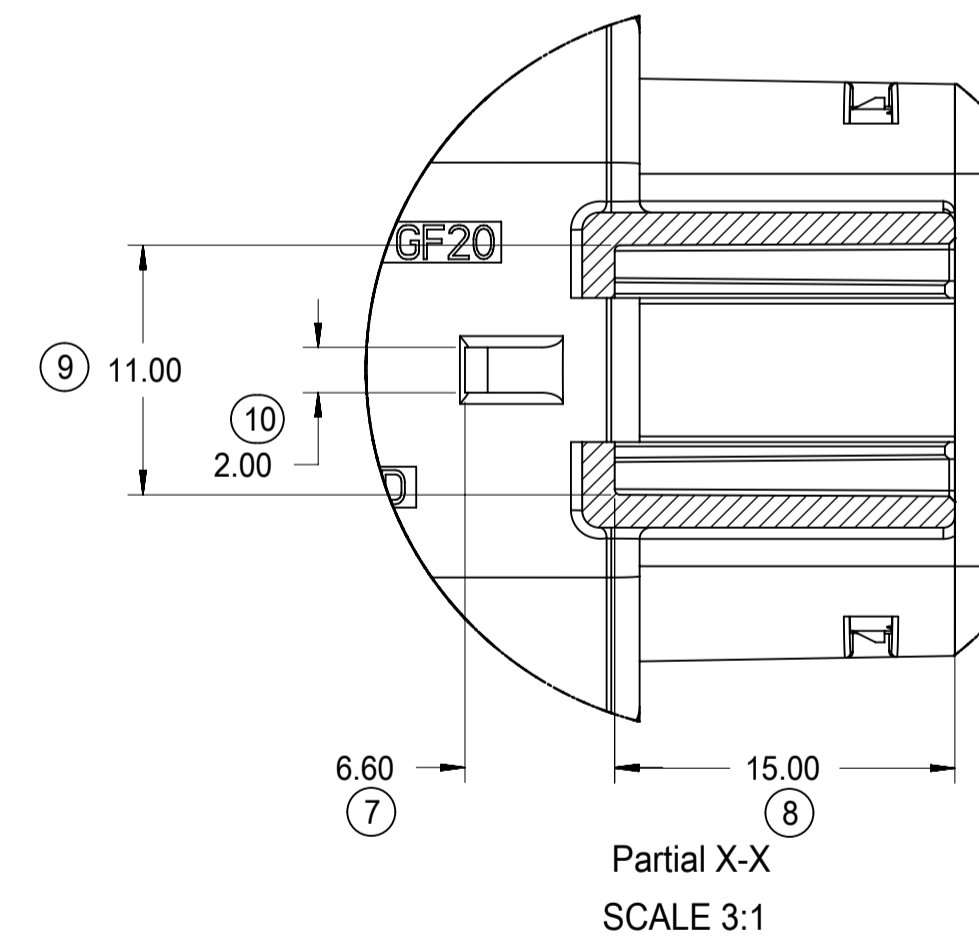
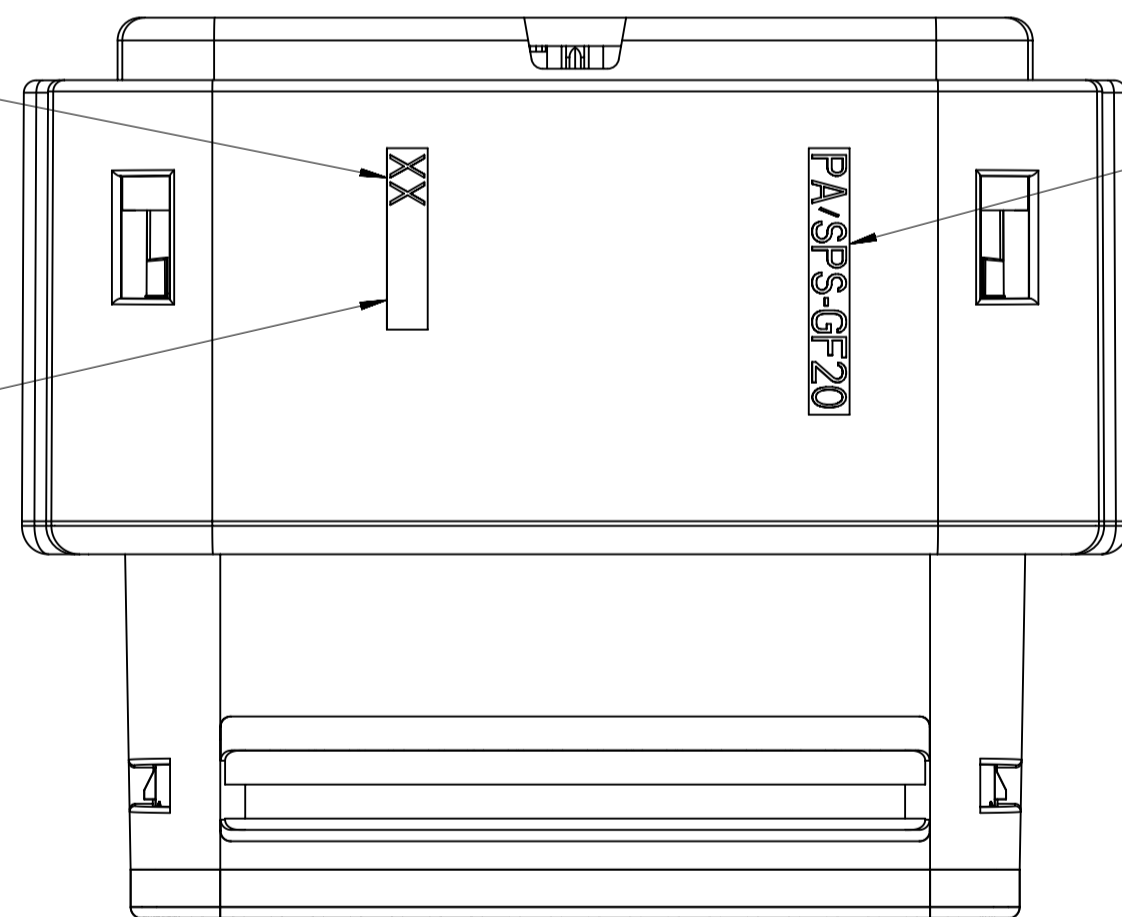
TERMINAL
POSITION 1



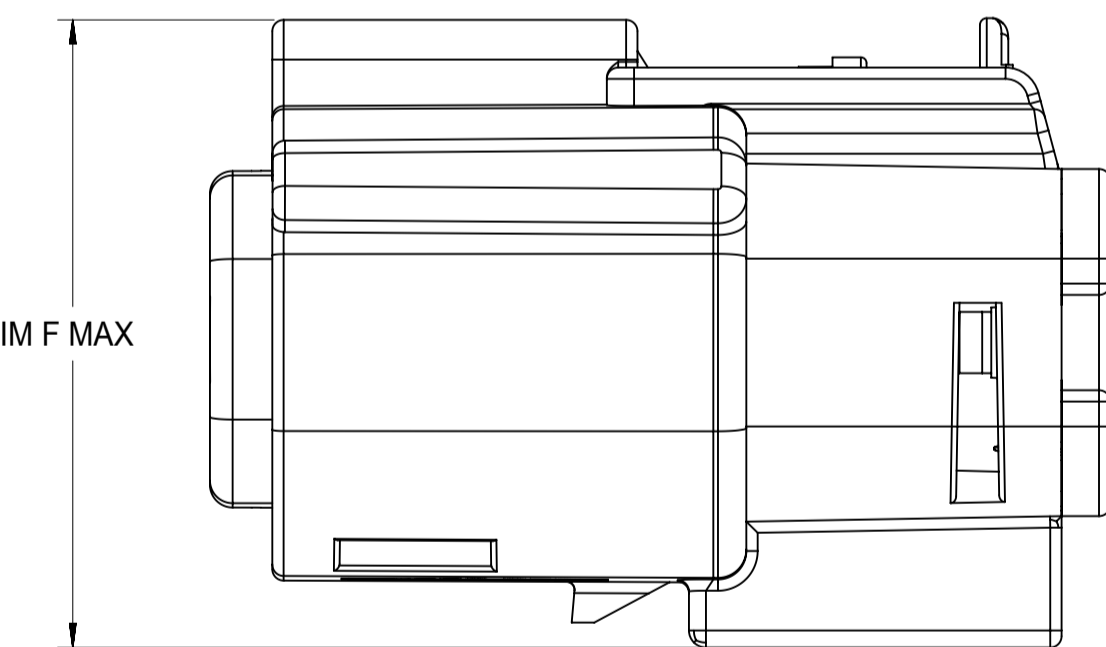
MOLD CAVITY I.D.
THIS LOCATION

RECYCLE CODE
THIS LOCATION

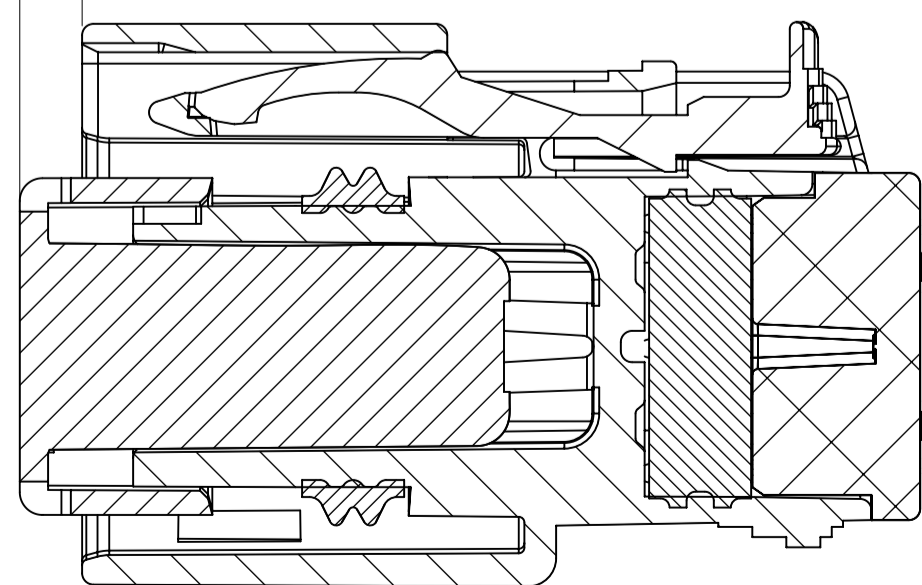
MANUFACTURING LOCATION
CODE THIS LOCATION



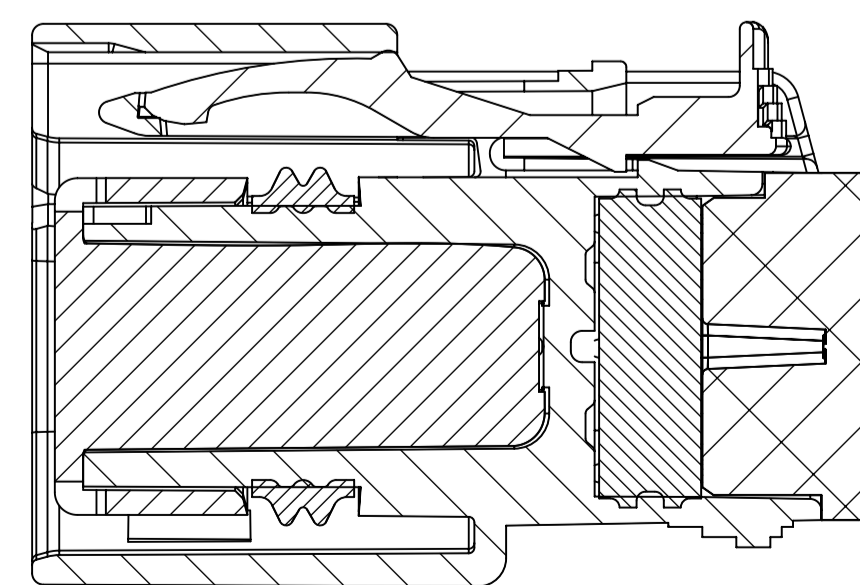
④ DIM F MAX



DIM G ⑥



SECTION Y-Y



SECTION Z-Z

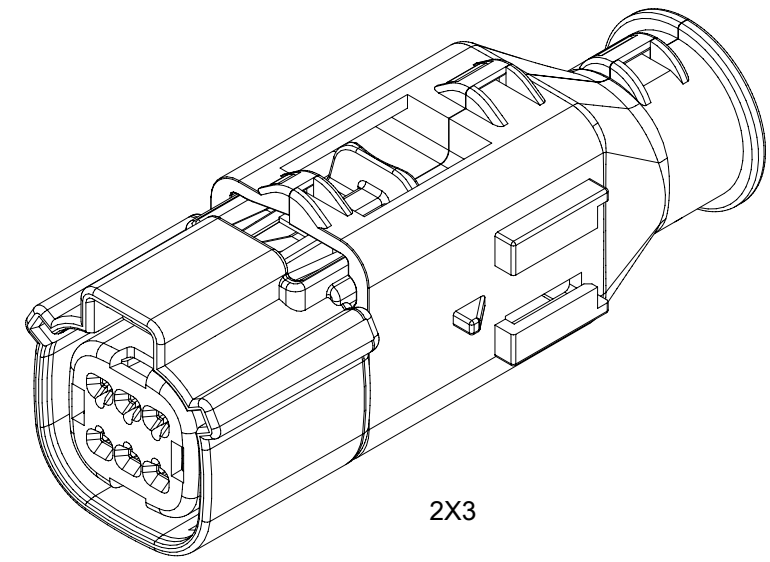
| SYMBOLS | | THIS DRAWING CONTAINS INFORMATION THAT IS PROPRIETARY TO MOLEX ELECTRONIC TECHNOLOGIES, LLC AND SHOULD NOT BE USED WITHOUT WRITTEN PERMISSION | | CURRENT REV DESC: | | molex | |
|---------|--|---|------------------------|--------------------------------|-----------------------------------|--------------------------------|--------------|
| ▽ = 0 | mm | DIMENSION UNITS | SCALE | 1:1 | | MX150 RCPT | |
| ▽ = 0 | GENERAL TOLERANCES (UNLESS SPECIFIED) | | | | DUAL ROW SEALED ASSEMBLY MAT SEAL | | |
| ▽ = 0 | ANGULAR TOL ± 1.0° | | | | PRODUCT CUSTOMER DRAWING | | |
| ▽ = 0 | 4 PLACES ± | | | EC NO: 171650 | | DOCUMENT NUMBER | |
| ▽ = 0 | 3 PLACES ± | | | DRWN: DDEB 2018/01/19 | | DOC TYPE DOC PART REVISION | |
| ▽ = 0 | 2 PLACES ± 0.1 | | | CHK'D: MVANSLAMBROU 2018/02/16 | | SD-33472-0001 | |
| ▽ = 0 | 1 PLACE ± 0.2 | | | APPR: MVANSLAMBROU 2018/02/16 | | PSD 001 C2 | |
| ▽ = 0 | 0 PLACES ± | | | INITIAL REVISION: | | GENERAL MARKET | |
| ▽ = 0 | DRAFT WHERE APPLICABLE MUST REMAIN WITHIN DIMENSIONS | | THIRD ANGLE PROJECTION | | DRAWING | | SHEET NUMBER |
| ▽ = 0 | | | A1-SIZE | | SERIES | | 5 OF 11 |
| | | | | 33472 | | | |

SHEET DESCRIPTION
BACKSHELL NOTES

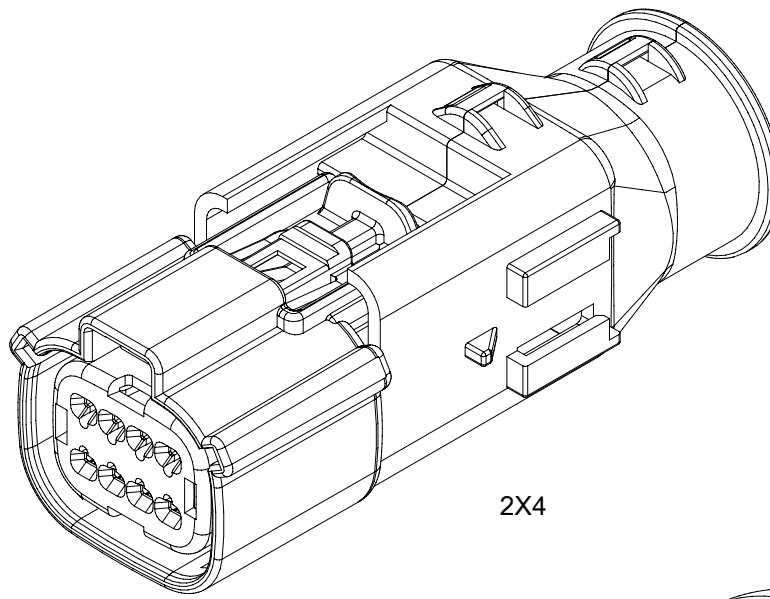
BACKSHELL NOTES: VALID UNLESS OTHERWISE SPECIFIED

1. GENERAL:

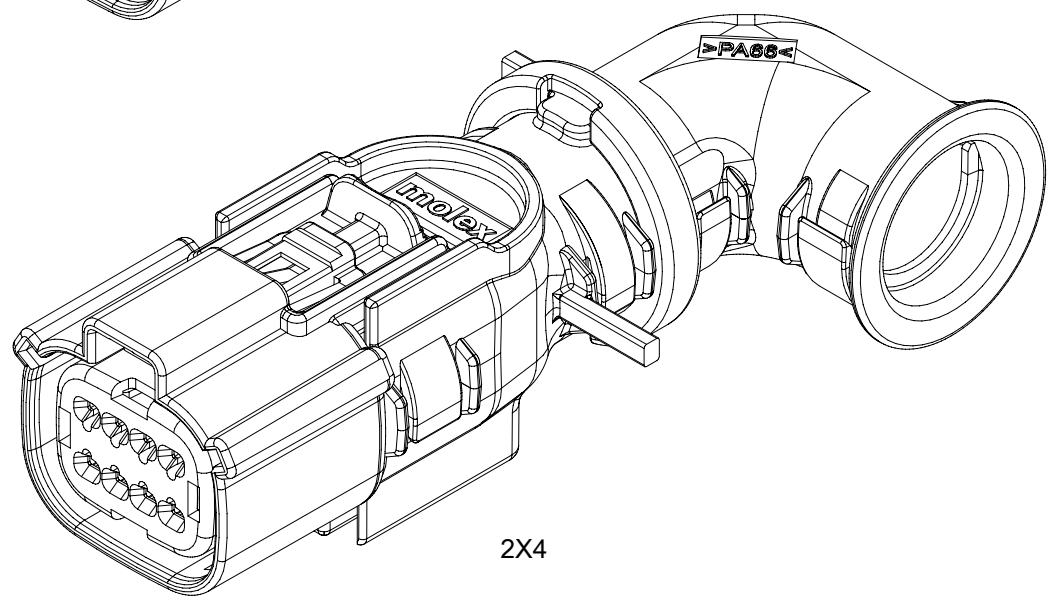
- a. APPLICATION SPECIFICATION SEE: AS-34951-001
 - DESIGNED TO MATE WITH RECEPTACLE SEALED ASSEMBLY SPECIFIED IN MOLEX DRAWING SD-33472-0001.
 - SYSTEM TO BE USED WITH WIRE WITHIN DIAMETER RANGE OF 1.2mm TO 2.69mm.
 - COMPONENTS ARE OPTIONAL AND MUST BE PURCHASED SEPERATELY.
 - DESIGN IS OWNED BY SCHLEMMER FOR SCHLEMMER BACKSHELL.
 - DESIGN IS OWNED BY MOLEX FOR MOLEX BACKSHELL.
 - 90° ADAPTOR DESIGN IS OWNED BY MOLEX.
 - FOR ADDITIONAL INFORMATION SEE THE BACKSHELL COMPONENT DRAWING SD-34951-0001.



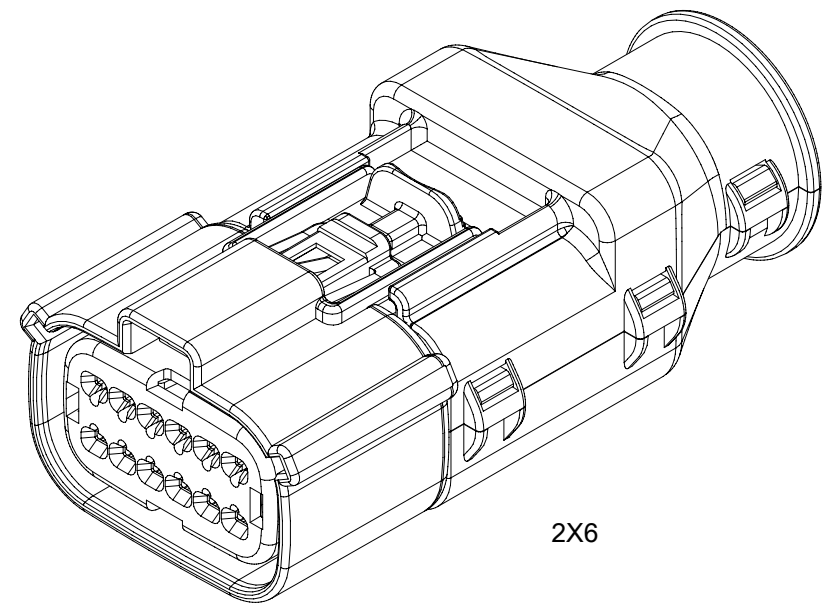
2X3



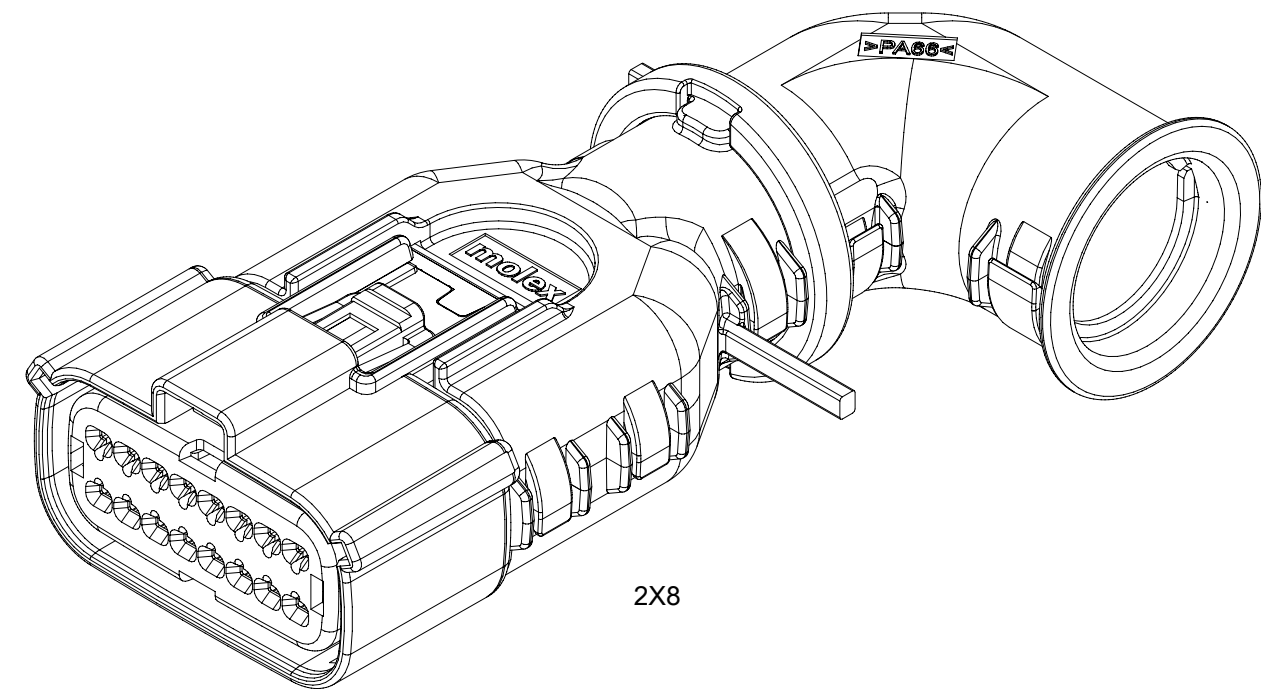
2X4



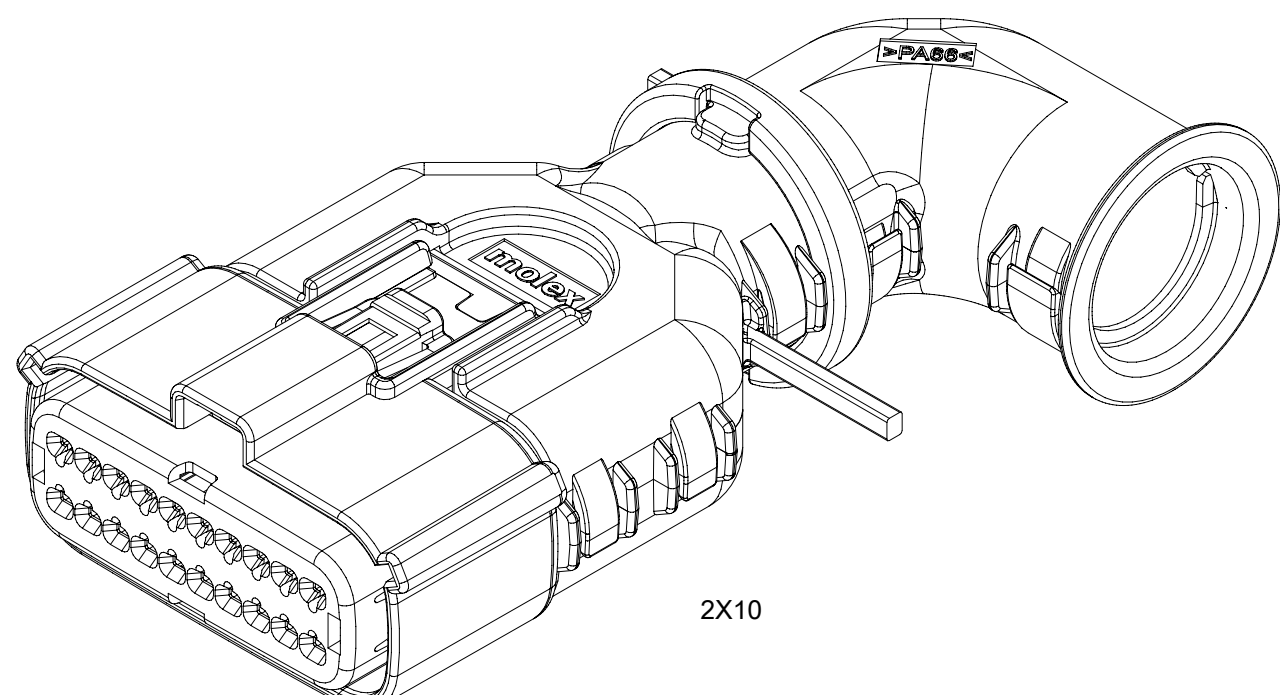
2X4



2X6



2X8



2X10

BACKSHELL CUSTOMER MODEL NUMBER LEGEND

34951-XXXX

CUSTOMER MODEL COMPONENTS

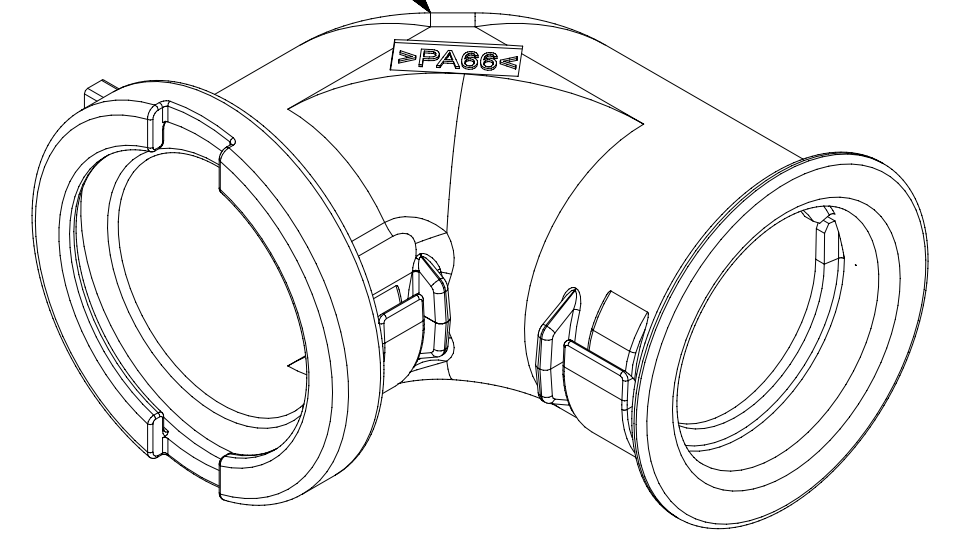
- 0 - SCHLEMMER BACKSHELL ONLY
- 1 - SCHLEMMER BACKSHELL & MX150 HOUSING KEY A ASSEMBLY
- 2 - SCHLEMMER BACKSHELL & MX150 HOUSING KEY B ASSEMBLY
- 3 - SCHLEMMER BACKSHELL & MX150 HOUSING KEY C ASSEMBLY
- 4 - SCHLEMMER BACKSHELL & MX150 HOUSING KEY D ASSEMBLY
- 5 - MOLEX BACKSHELL ONLY
- 6 - MOLEX BACKSHELL & MX150 HOUSING KEY A ASSEMBLY
- 7 - MOLEX BACKSHELL & MX150 HOUSING KEY B ASSEMBLY
- 8 - MOLEX BACKSHELL & MX150 HOUSING KEY C ASSEMBLY
- 9 - MOLEX BACKSHELL & MX150 HOUSING KEY D ASSEMBLY

BACKSHELL FEATURES

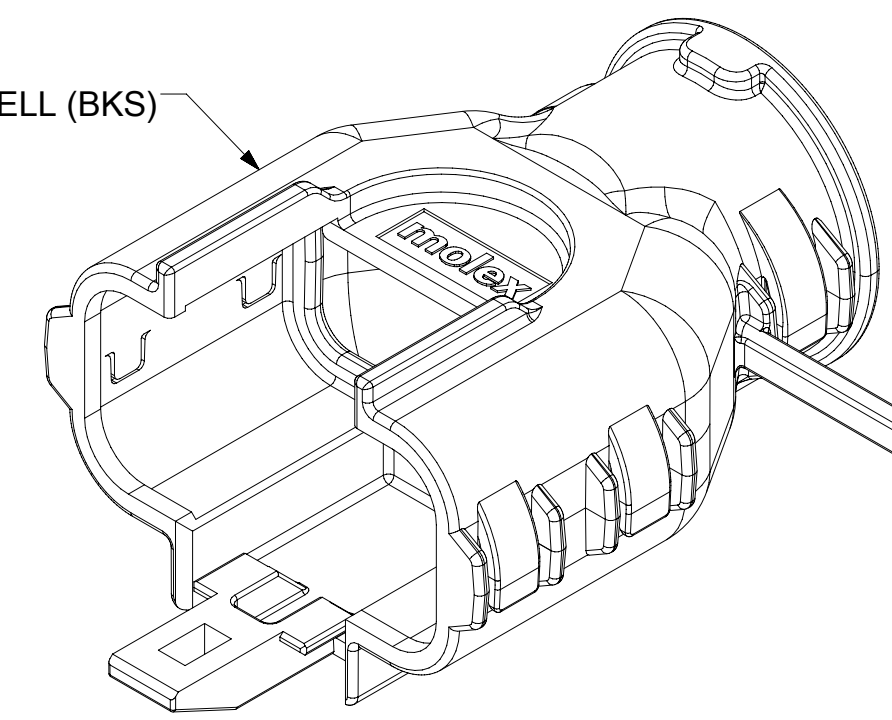
- 1 - WITH RIBS
- 2 - WITHOUT RIBS
- 3 - 90° ADAPTOR

MX150 CIRCUIT SIZE 04, 06, 08, 12, 16, 20

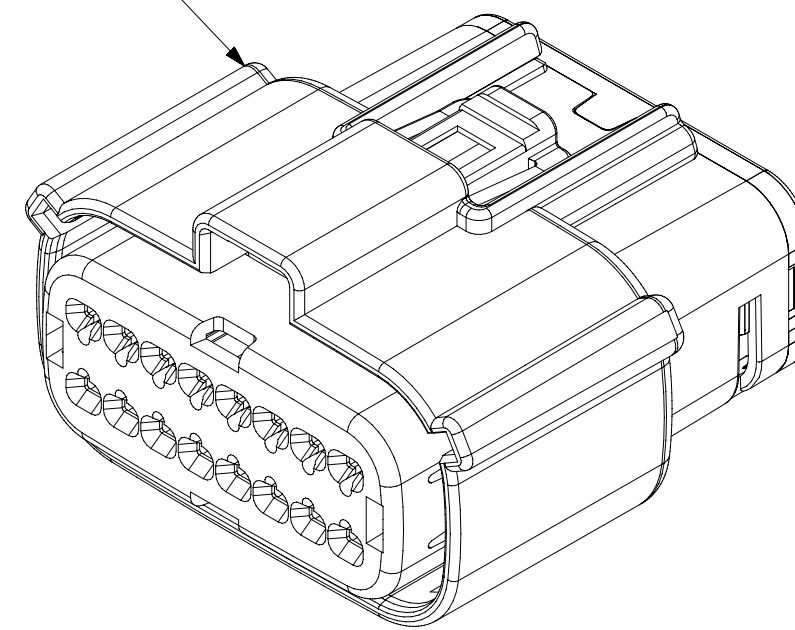
90° ADAPTOR



BACKSHELL (BKS)



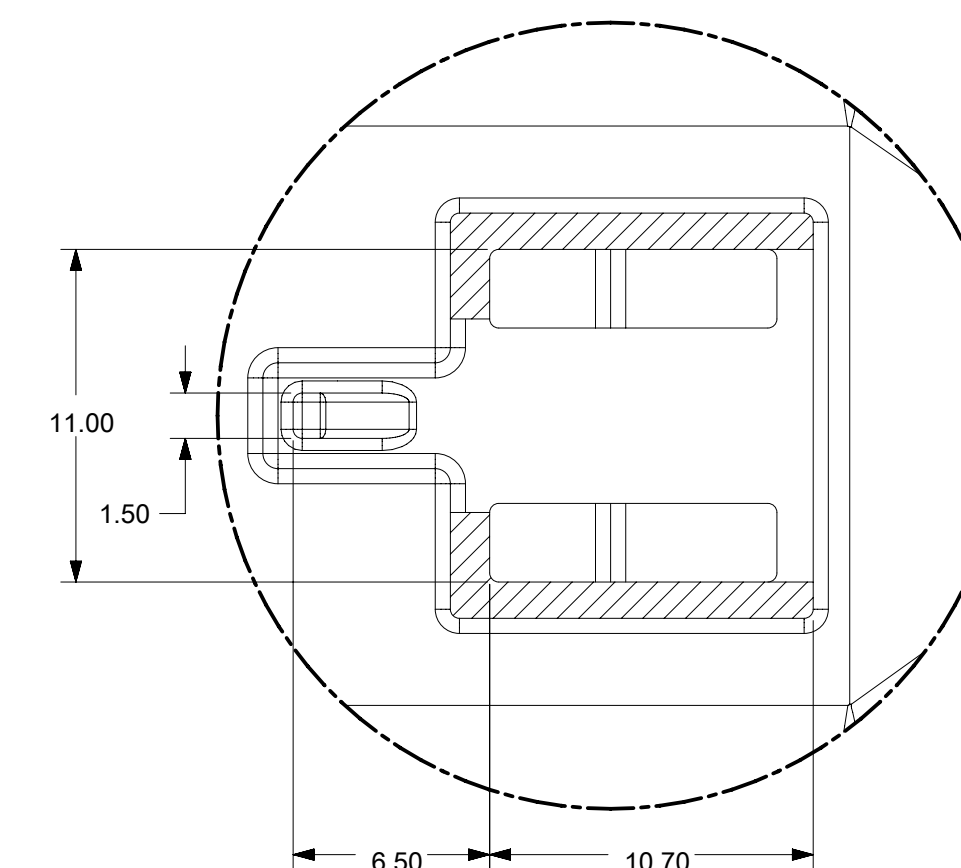
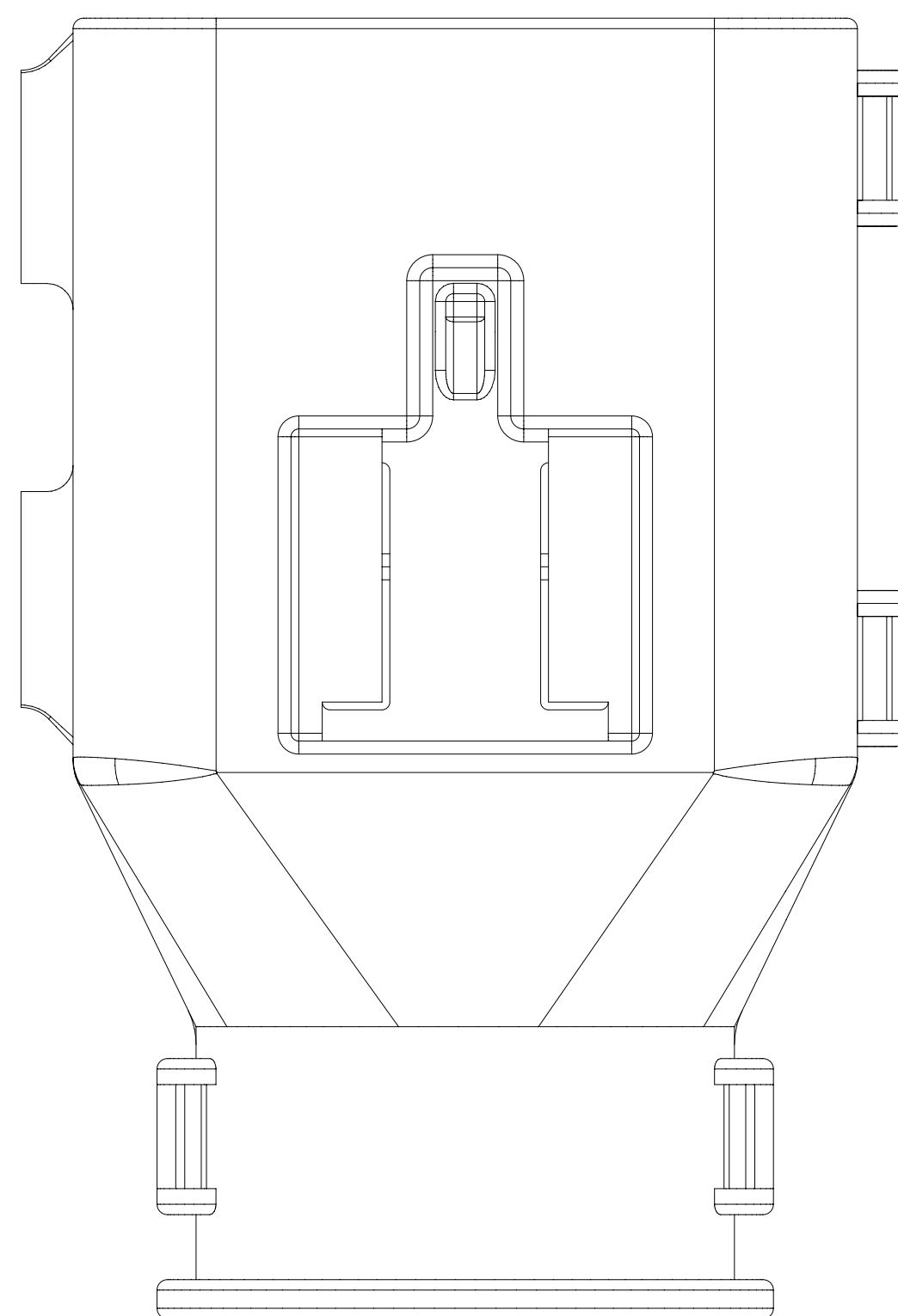
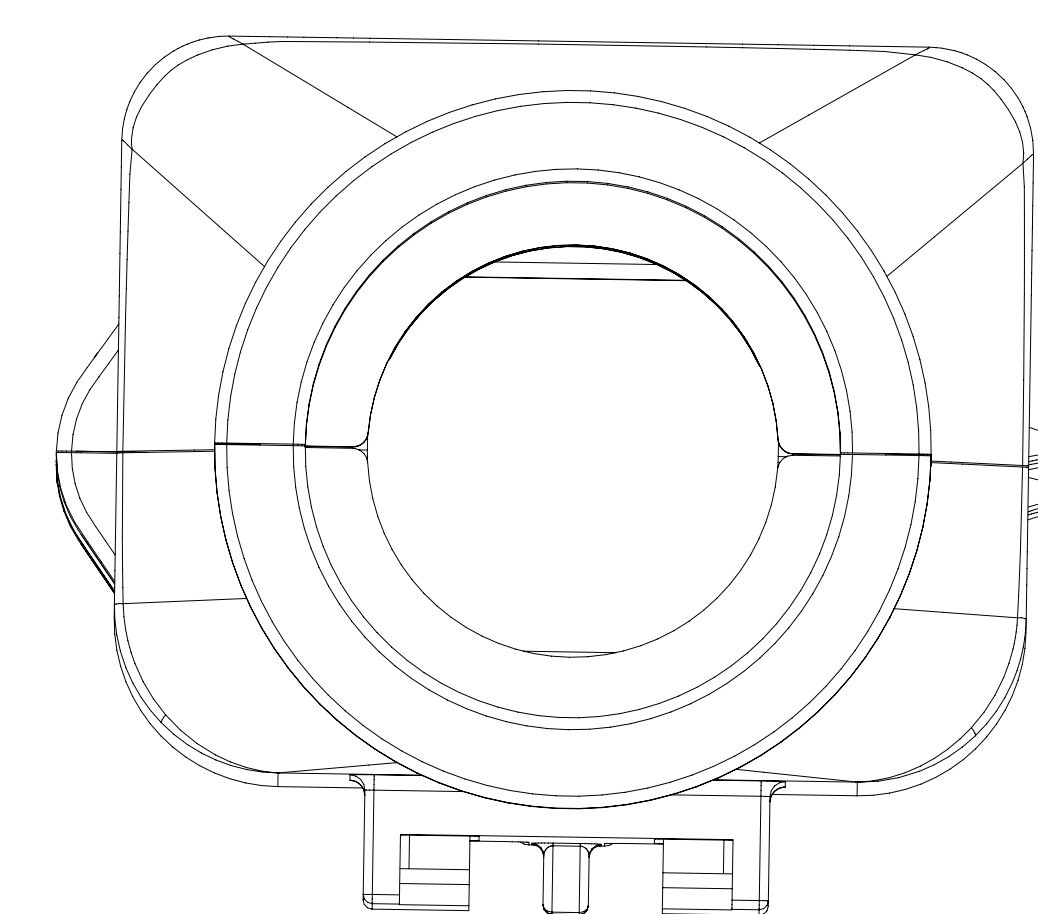
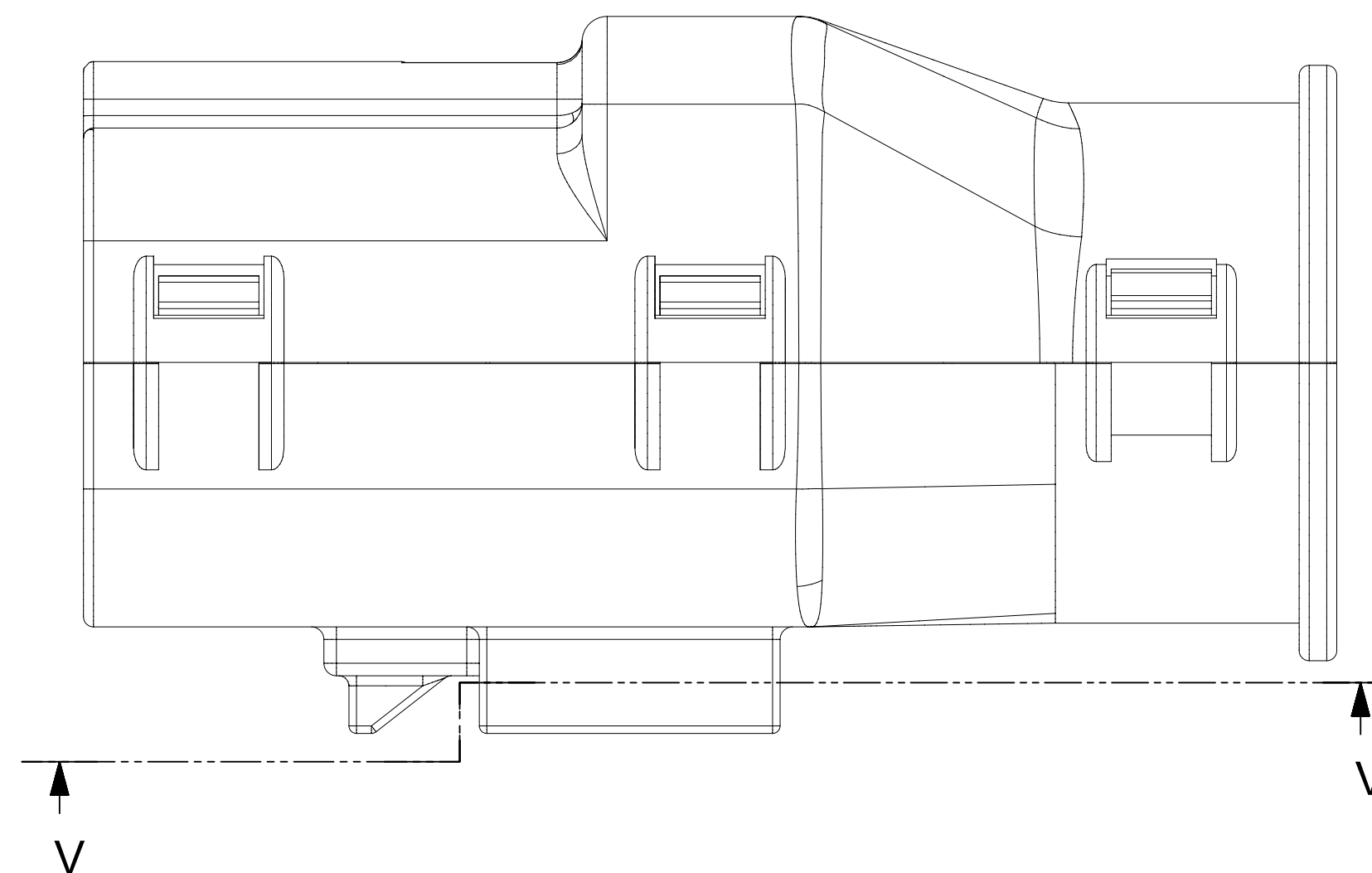
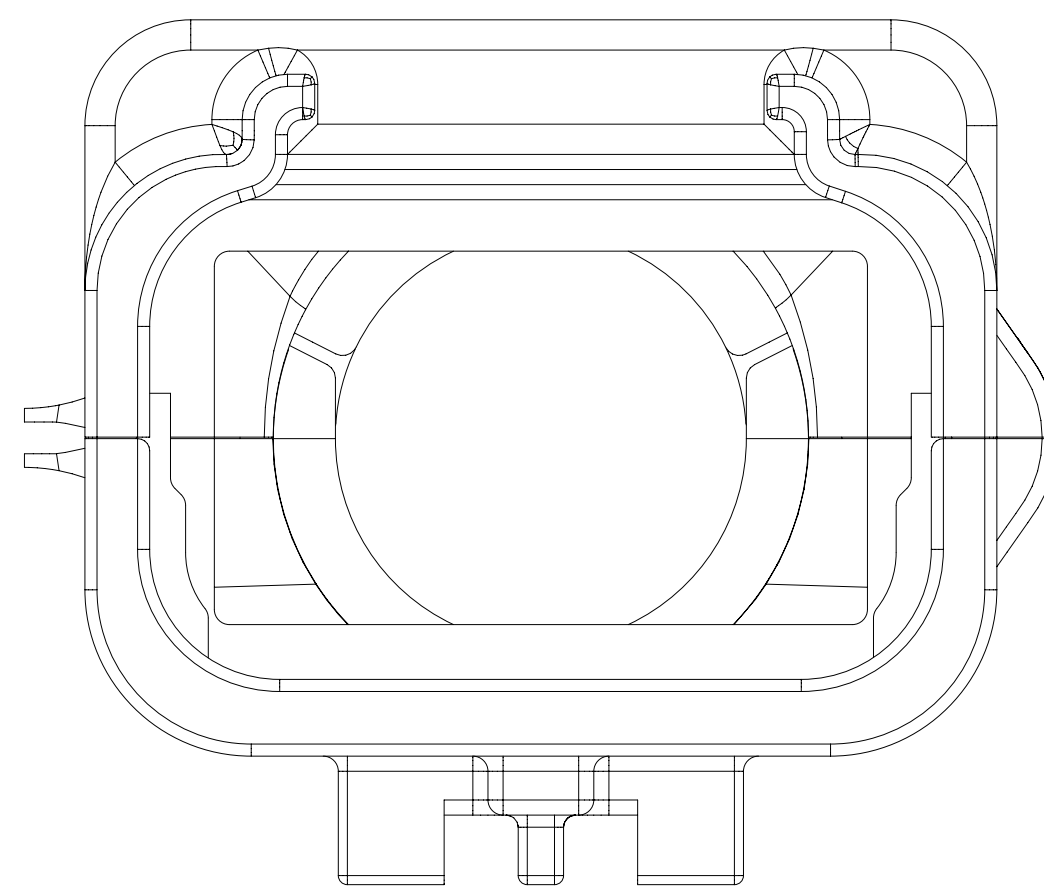
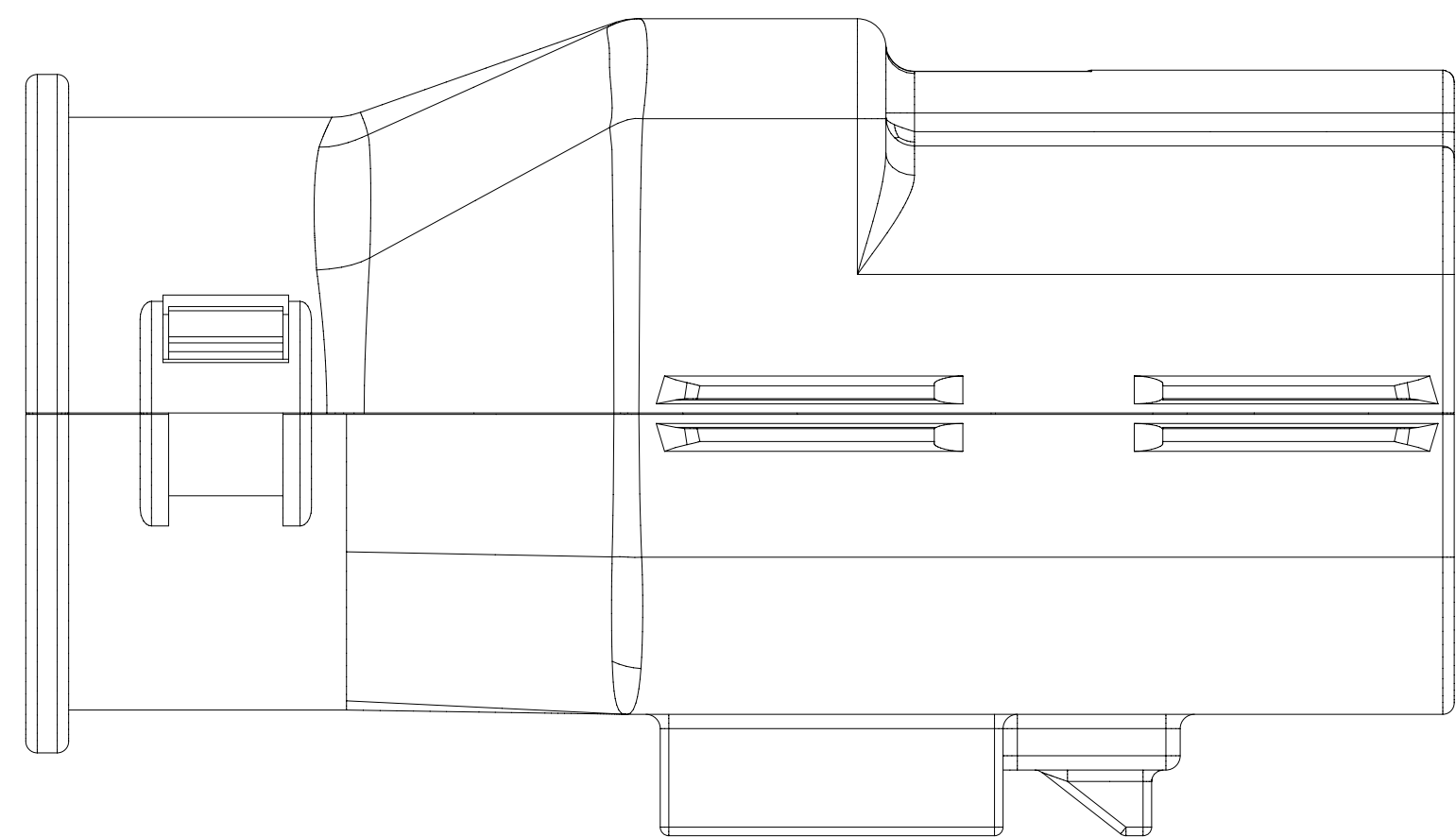
RECEPTACLE SEALED ASSEMBLY



SCALE 2:1

| SYMBOLS | DIMENSION UNITS | SCALE | CURRENT REV DESC: | molex | | |
|---------|--|-------|--------------------------------|---|----------|--------------|
| ▽ = 0 | mm | 1.5:1 | EC NO: 171650 | MX150 RCPT DUAL ROW SEALED ASSEMBLY MAT SEAL | | |
| ▽ = 0 | GENERAL TOLERANCES (UNLESS SPECIFIED) | | DRWN: DDEB 2018/01/19 | | | |
| ▽ = 0 | ANGULAR TOL ± 1.0° | | CHK'D: MVANSLAMBROU 2018/02/16 | | | |
| ▽ = 0 | 4 PLACES | ± | APPR: MVANSLAMBROU 2018/02/16 | PRODUCT CUSTOMER DRAWING | | |
| ▽ = 0 | 3 PLACES | ± | INITIAL REVISION: | DOCUMENT NUMBER | DOC TYPE | DOC PART |
| ▽ = 0 | 2 PLACES | ± 0.1 | DRWN: APROFFITT 2014/05/14 | SD-33472-0001 | PSD | 001 |
| ▽ = 0 | 1 PLACE | ± 0.2 | APPR: VKOSHY 2014/06/27 | GENERAL MARKET | | C2 |
| ⊠ = 0 | 0 PLACES | ± | THIRD ANGLE PROJECTION | MATERIAL NUMBER | CUSTOMER | SHEET NUMBER |
| ■ = 0 | DRAFT WHERE APPLICABLE MUST REMAIN WITHIN DIMENSIONS | | DRAWING | GENERAL MARKET | | 6 OF 11 |
| ▽ = 0 | | | A1-SIZE | SERIES | | |
| | | | 33472 | | | |

SHEET DESCRIPTION
SCHLEMMER BACKSHELL

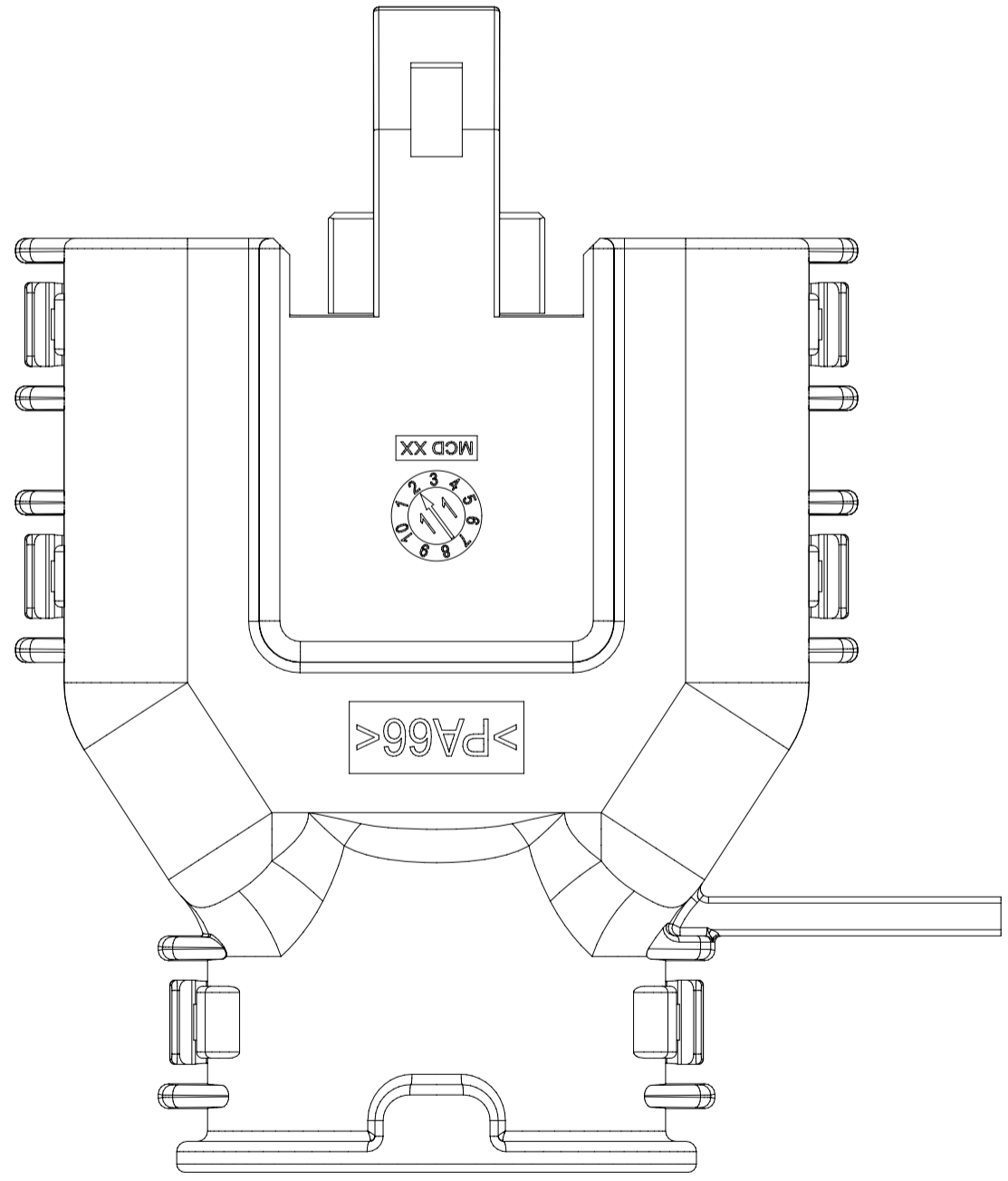
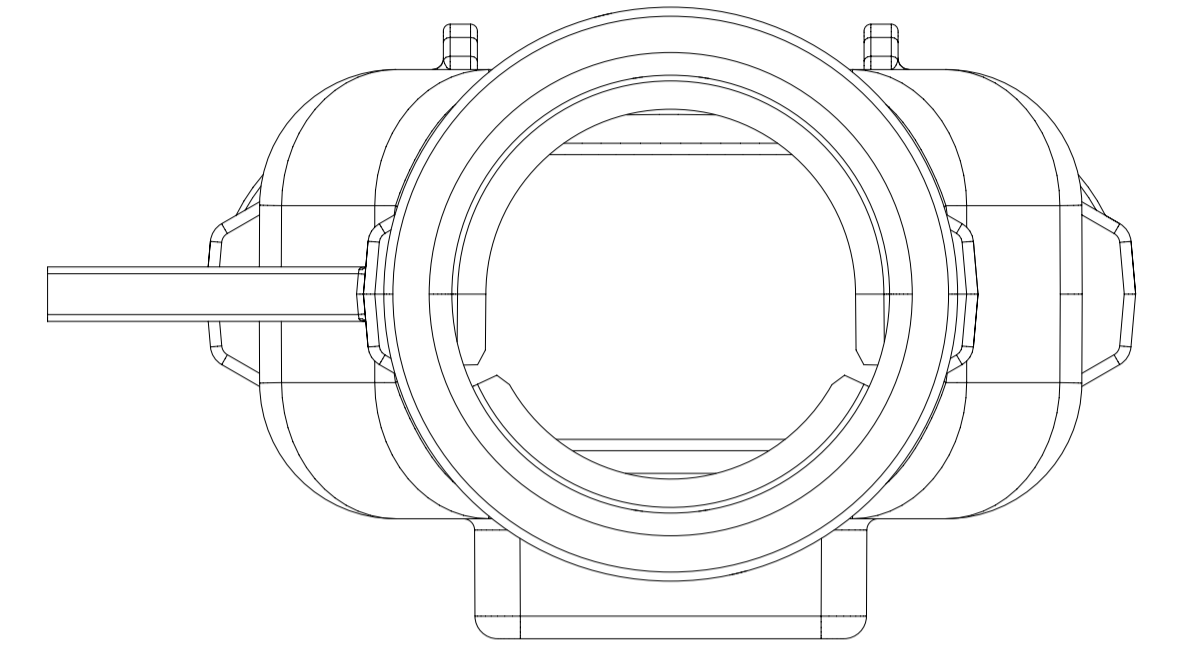
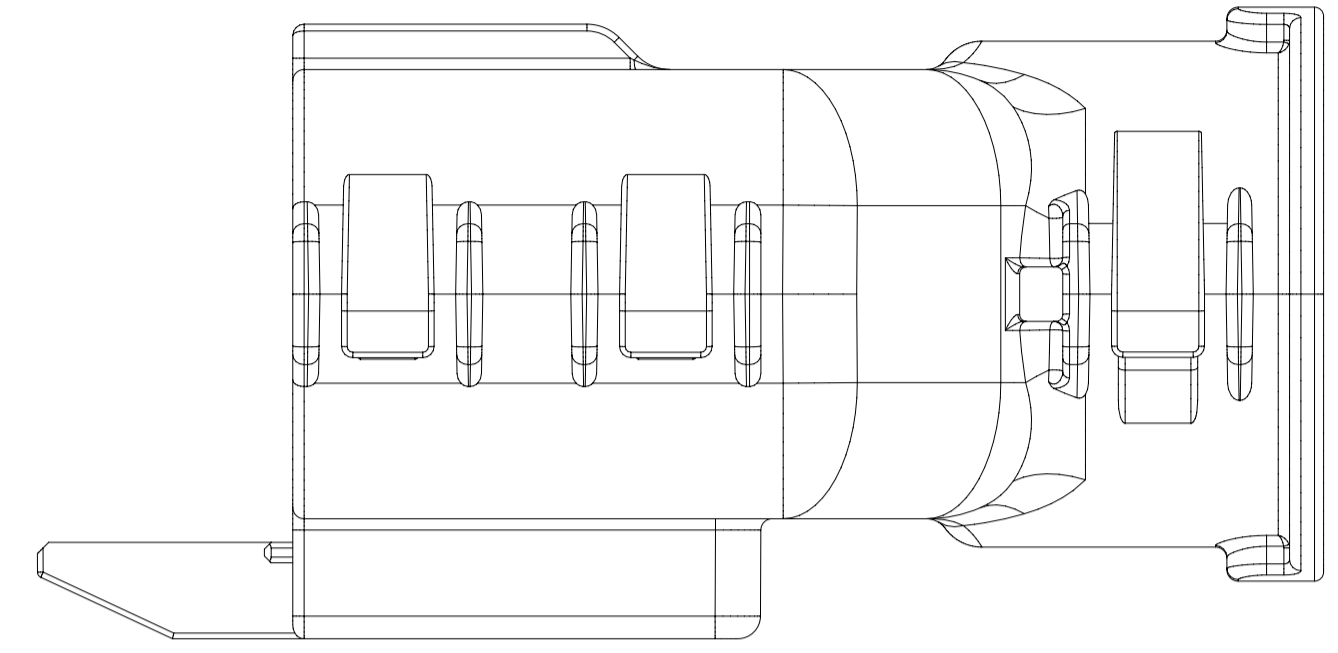
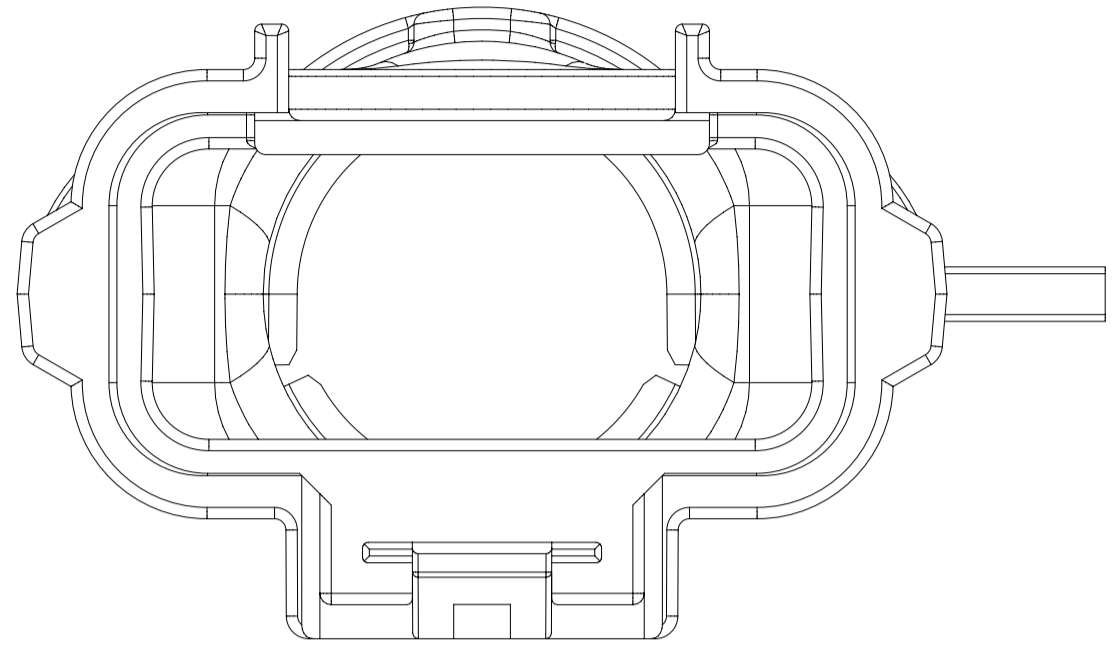
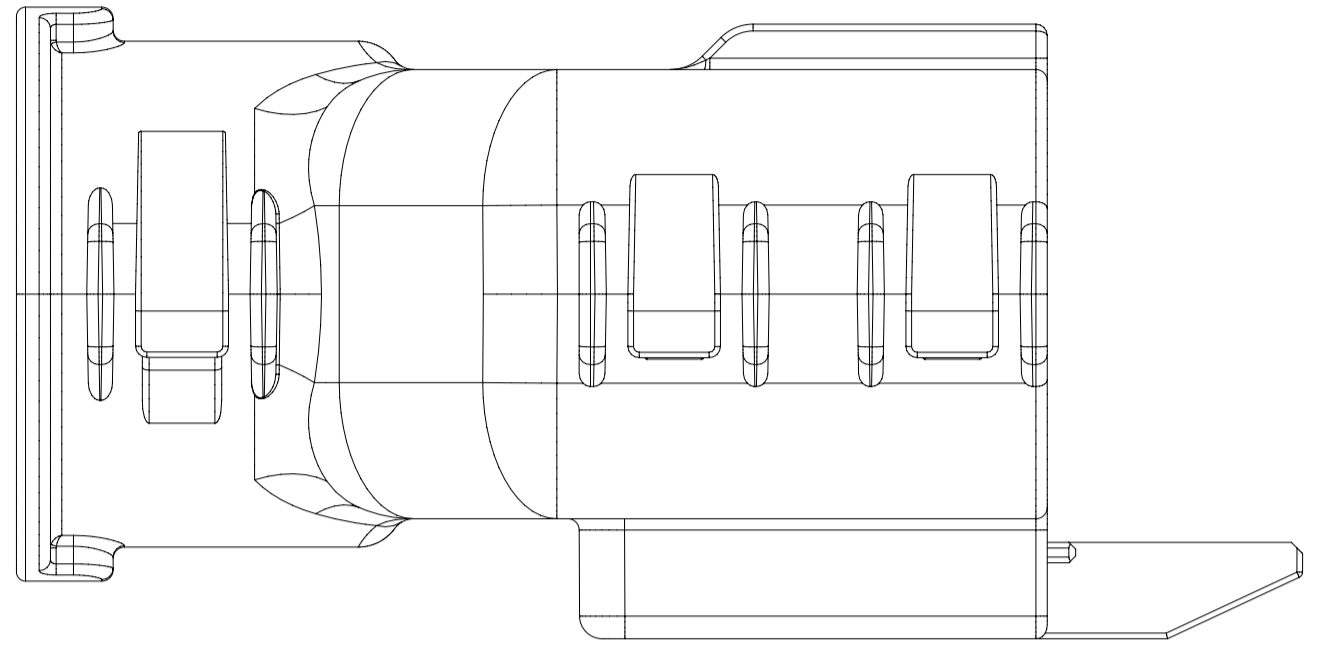


Partial V-V
SCALE 4:1

| SYMBOLS | | THIS DRAWING CONTAINS INFORMATION THAT IS PROPRIETARY TO MOLEX ELECTRONIC TECHNOLOGIES, LLC AND SHOULD NOT BE USED WITHOUT WRITTEN PERMISSION | | CURRENT REV DESC: | | | | |
|-----------------|--|---|--------------------------------|----------------------------|----------------|---|--------------|--|
| DIMENSION UNITS | SCALE | GENERAL TOLERANCES (UNLESS SPECIFIED) | | EC NO: 171650 | | | | |
| = 0 | mm | 4:1 | | DRWN: DDEB 2018/01/19 | | MX150 RCPT DUAL ROW SEALED ASSEMBLY MAT SEAL | | |
| = 0 | GENERAL TOLERANCES (UNLESS SPECIFIED) | | CHK'D: MVANSLAMBROU 2018/02/16 | | | | | |
| = 0 | ANGULAR TOL ± 1.0° | | APPR: MVANSLAMBROU 2018/02/16 | | | | | |
| = 0 | 4 PLACES | ± | | INITIAL REVISION: | | DOCUMENT NUMBER | | |
| = 0 | 3 PLACES | ± | | DRWN: APROFFITT 2014/05/14 | | SD-33472-0001 | | |
| = 0 | 2 PLACES | ± 0.1 | | APPR: VKOSHY 2014/06/27 | | DOC TYPE DOC PART REVISION | | |
| = 0 | 1 PLACE | ± 0.2 | | THIRD ANGLE PROJECTION | | PSD 001 C2 | | |
| = 0 | 0 PLACES | ± | | DRAWING | | MATERIAL NUMBER | | |
| = 0 | DRAFT WHERE APPLICABLE MUST REMAIN WITHIN DIMENSIONS | | SERIES | | CUSTOMER | | SHEET NUMBER | |
| = 0 | | | A1-SIZE 33472 | | GENERAL MARKET | | 7 OF 11 | |

18 17 16 15 14 13 12 11 10 9 8 7 6 5 4 3 2 1

SHEET DESCRIPTION
MOLEX BACKSHELL



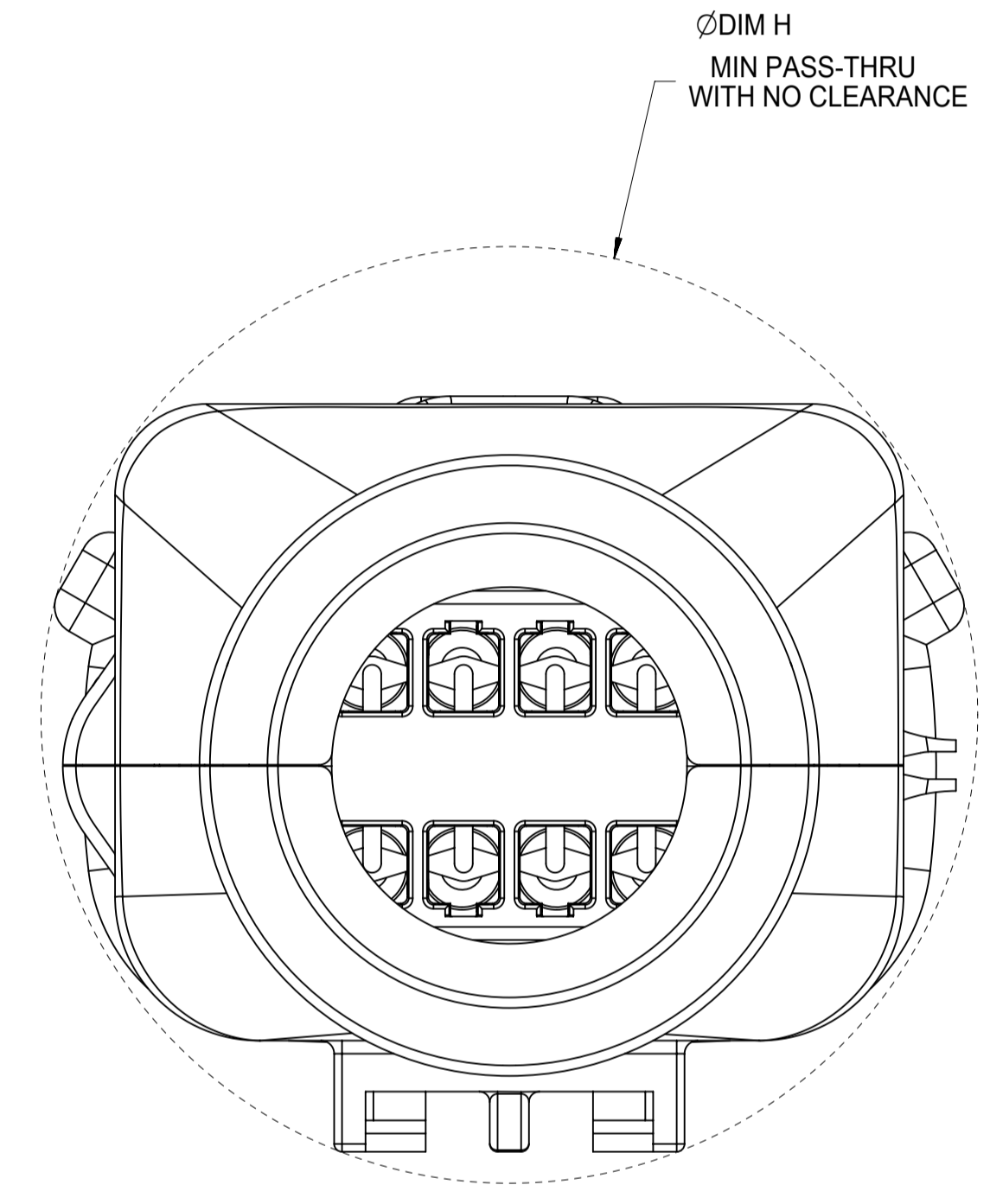
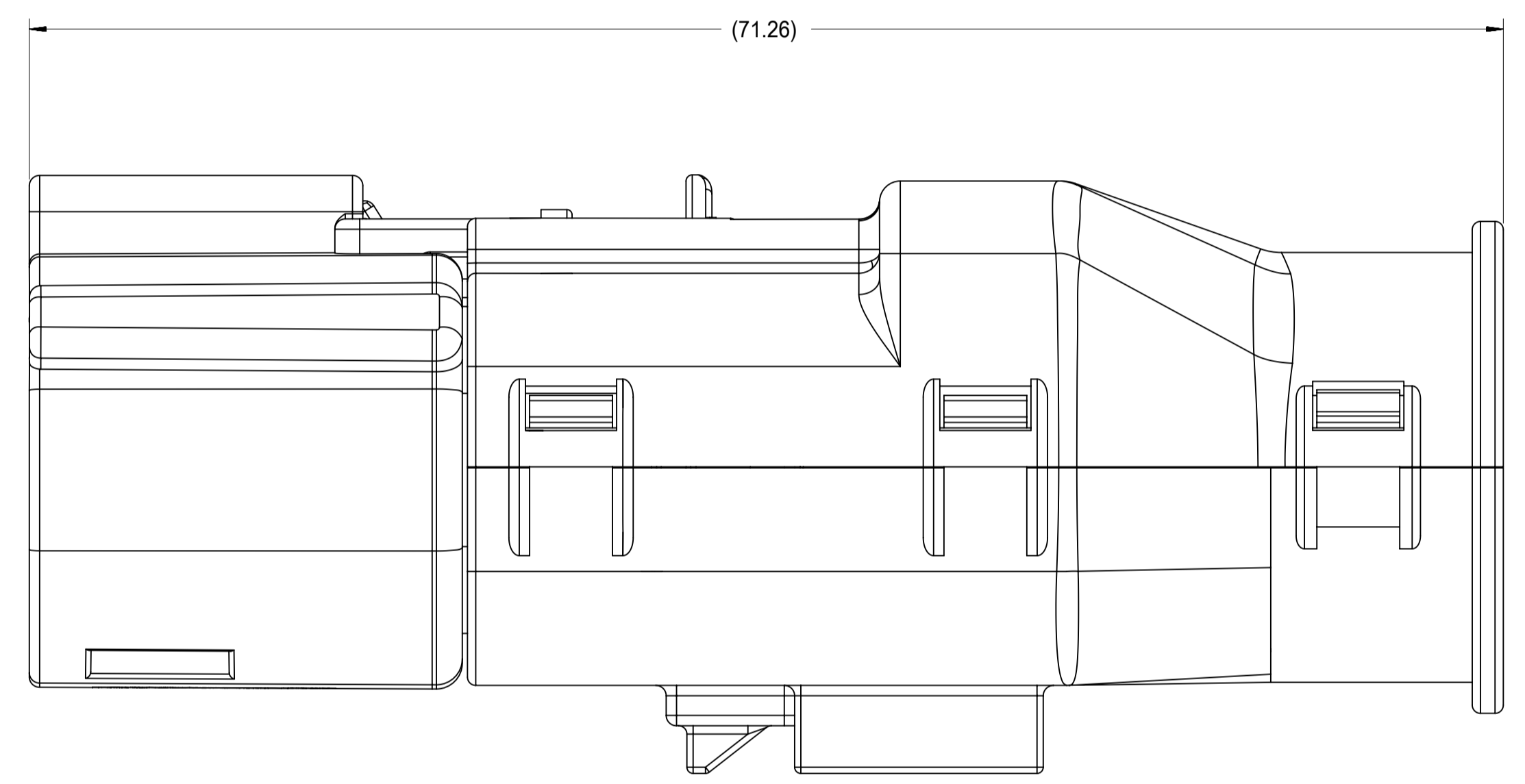
| | | | | | | | | | | | | | | | | | | | | | | | |
|--|---|----------------------------|---|--|--|---|--|--|--------------------------|--|--|-----------------|----------|----------|---------------|-----|-----|-----------------|----------|--------------|--|----------------|---------|
| SYMBOLS = 0 = 0 = 0 = 0 = 0 = 0 = 0 = 0 = 0 = 0 | THIS DRAWING CONTAINS INFORMATION THAT IS PROPRIETARY TO MOLEX ELECTRONIC TECHNOLOGIES, LLC AND SHOULD NOT BE USED WITHOUT WRITTEN PERMISSION | | | | | | | | | | | | | | | | | | | | | | |
| | DIMENSION UNITS | SCALE | CURRENT REV DESC: EC NO: 171650 DRWN: DDEB 2018/01/19 CHK'D: MVANSLAMBROU 2018/02/16 APPR: MVANSLAMBROU 2018/02/16 INITIAL REVISION: DRWN: APROFFITT 2014/05/14 APPR: VKOSHY 2014/06/27 | | | | | | | | | | | | | | | | | | | | |
| | mm | 3:1 | | | | | | | | | | | | | | | | | | | | | |
| | GENERAL TOLERANCES (UNLESS SPECIFIED) | | | | | | | | | | | | | | | | | | | | | | |
| | ANGULAR TOL | ± 1.0° | | | | | | | | | | | | | | | | | | | | | |
| | 4 PLACES | ± | | | | | | | | | | | | | | | | | | | | | |
| | 3 PLACES | ± | | | | | | | | | | | | | | | | | | | | | |
| | 2 PLACES | ± 0.1 | | | | | | | | | | | | | | | | | | | | | |
| | 1 PLACE | ± 0.2 | | | | | | | | | | | | | | | | | | | | | |
| | 0 PLACES | ± | | | | | | | | | | | | | | | | | | | | | |
| DRAFT WHERE APPLICABLE MUST REMAIN WITHIN DIMENSIONS | | THIRD ANGLE PROJECTION | | | | | | | | | | | | | | | | | | | | | |
| <table border="1"> <tr> <td colspan="3" style="text-align: center;">molex</td> </tr> <tr> <td colspan="3" style="text-align: center;">MX150 RCPT DUAL ROW SEALED ASSEMBLY MAT SEAL</td> </tr> <tr> <td colspan="3" style="text-align: center;">PRODUCT CUSTOMER DRAWING</td> </tr> <tr> <td>DOCUMENT NUMBER</td> <td>DOC TYPE</td> <td>DOC PART</td> </tr> <tr> <td style="text-align: center;">SD-33472-0001</td> <td style="text-align: center;">PSD</td> <td style="text-align: center;">001</td> </tr> <tr> <td>MATERIAL NUMBER</td> <td>CUSTOMER</td> <td>SHEET NUMBER</td> </tr> <tr> <td></td> <td style="text-align: center;">GENERAL MARKET</td> <td style="text-align: center;">8 OF 11</td> </tr> </table> | | | molex | | | MX150 RCPT DUAL ROW SEALED ASSEMBLY MAT SEAL | | | PRODUCT CUSTOMER DRAWING | | | DOCUMENT NUMBER | DOC TYPE | DOC PART | SD-33472-0001 | PSD | 001 | MATERIAL NUMBER | CUSTOMER | SHEET NUMBER | | GENERAL MARKET | 8 OF 11 |
| molex | | | | | | | | | | | | | | | | | | | | | | | |
| MX150 RCPT DUAL ROW SEALED ASSEMBLY MAT SEAL | | | | | | | | | | | | | | | | | | | | | | | |
| PRODUCT CUSTOMER DRAWING | | | | | | | | | | | | | | | | | | | | | | | |
| DOCUMENT NUMBER | DOC TYPE | DOC PART | | | | | | | | | | | | | | | | | | | | | |
| SD-33472-0001 | PSD | 001 | | | | | | | | | | | | | | | | | | | | | |
| MATERIAL NUMBER | CUSTOMER | SHEET NUMBER | | | | | | | | | | | | | | | | | | | | | |
| | GENERAL MARKET | 8 OF 11 | | | | | | | | | | | | | | | | | | | | | |

| | | | |
|-----------------|----|--------------|---------------------|
| DOCUMENT STATUS | P1 | RELEASE DATE | 2018/02/16 22:02:25 |
|-----------------|----|--------------|---------------------|

18 17 16 15 14 13 12 11 10 9 8 7 6 5 4 3 2 1

| SHEET DESCRIPTION | | | |
|------------------------------------|--|--|--|
| SCHLEMMER BACKSHELL CONFIGURATIONS | | | |

| CHARTED DIMENSIONS | |
|--------------------|------------|
| DESCRIPTION | DIMENSIONS |
| | H |
| 2X3 W/ CLIPSLOT | N/A |
| 2X3 W/O CLIPSLOT | 28.50 |
| 2X4 W/ CLIPSLOT | N/A |
| 2X4 W/O CLIPSLOT | 30.75 |
| 2X6 W/ CLIPSLOT | N/A |
| 2X6 W/O CLIPSLOT | 35.83 |

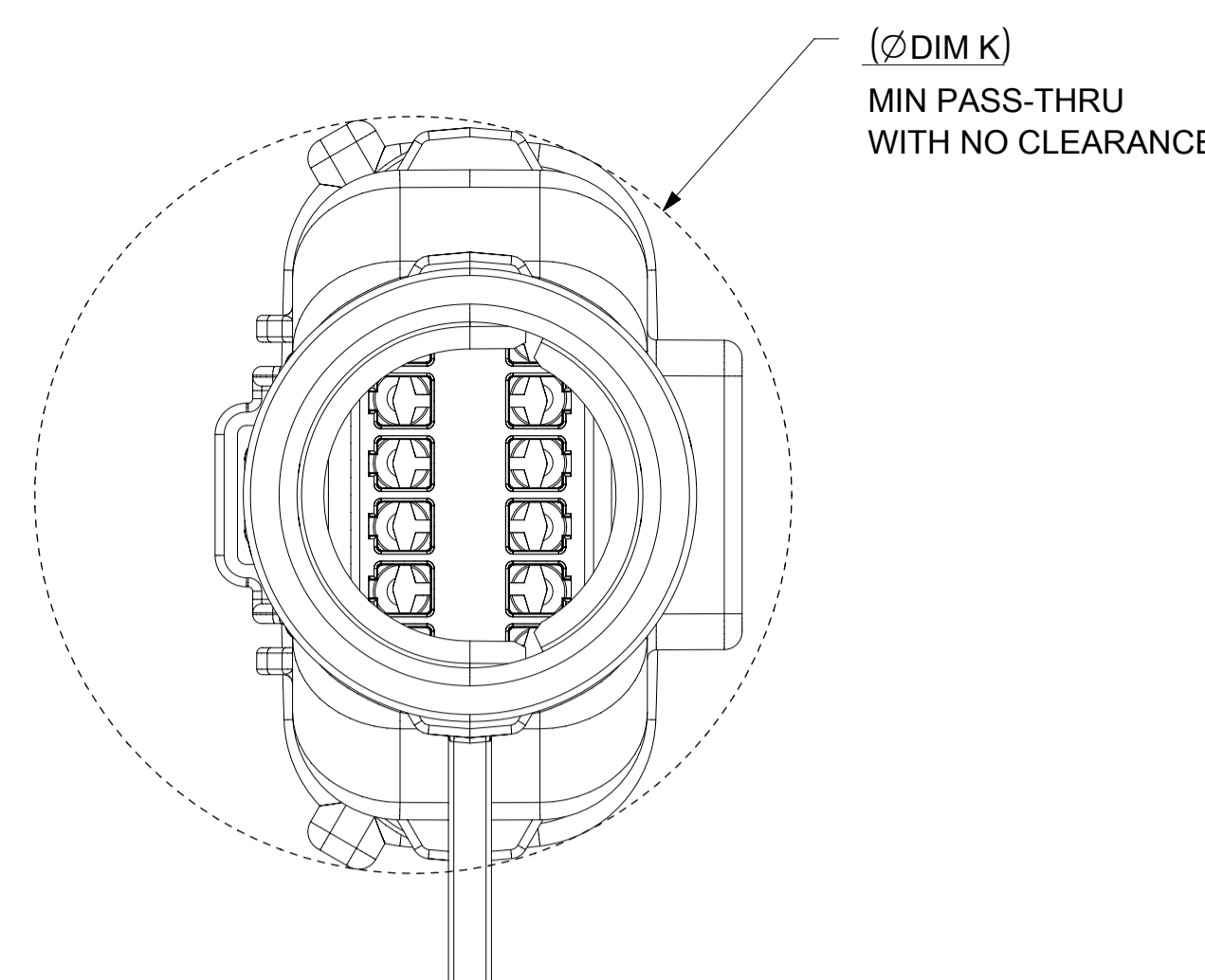
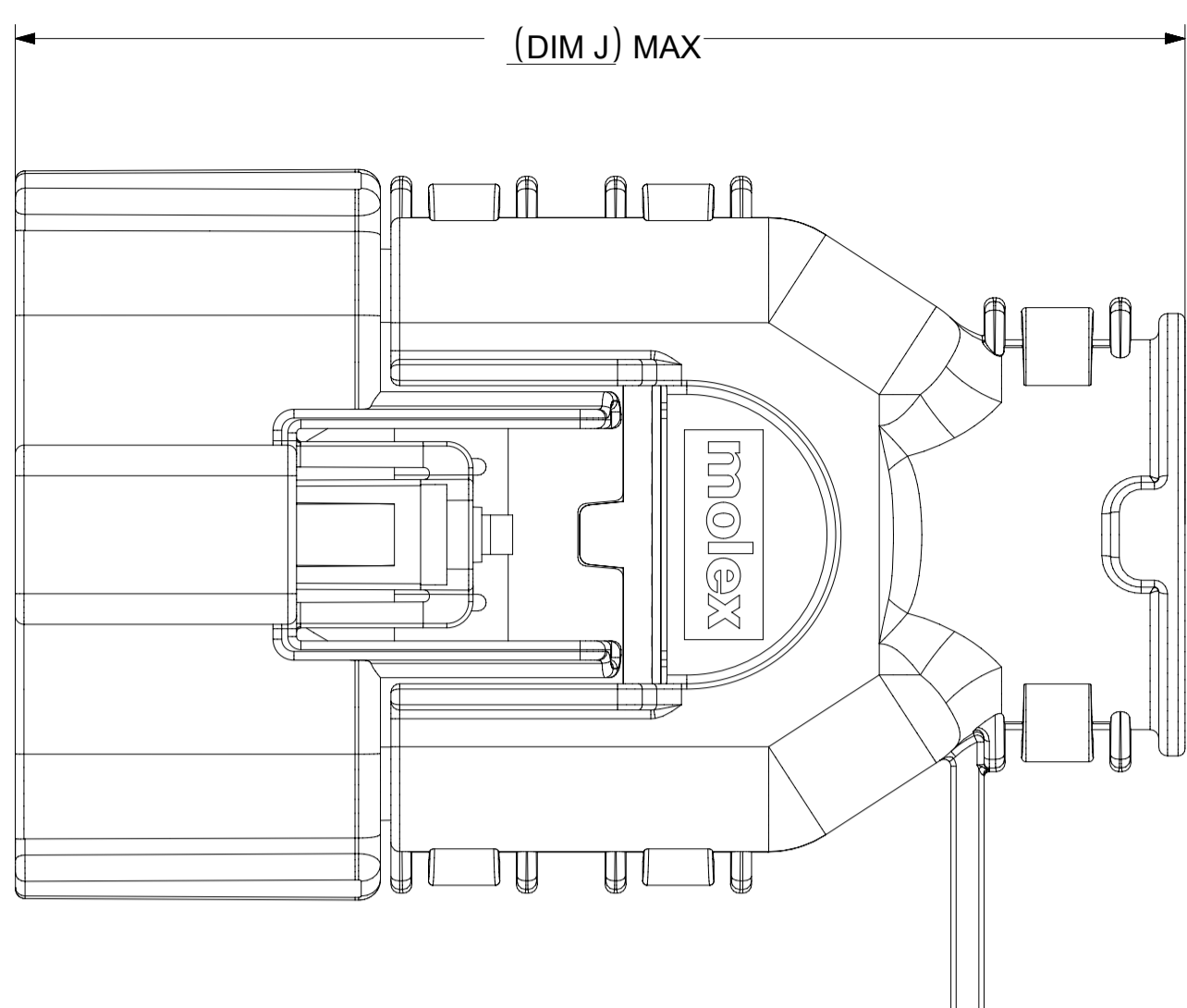


RECEPTACLE SEALED ASSEMBLY WITH RECEPTACLE BACKSHELL

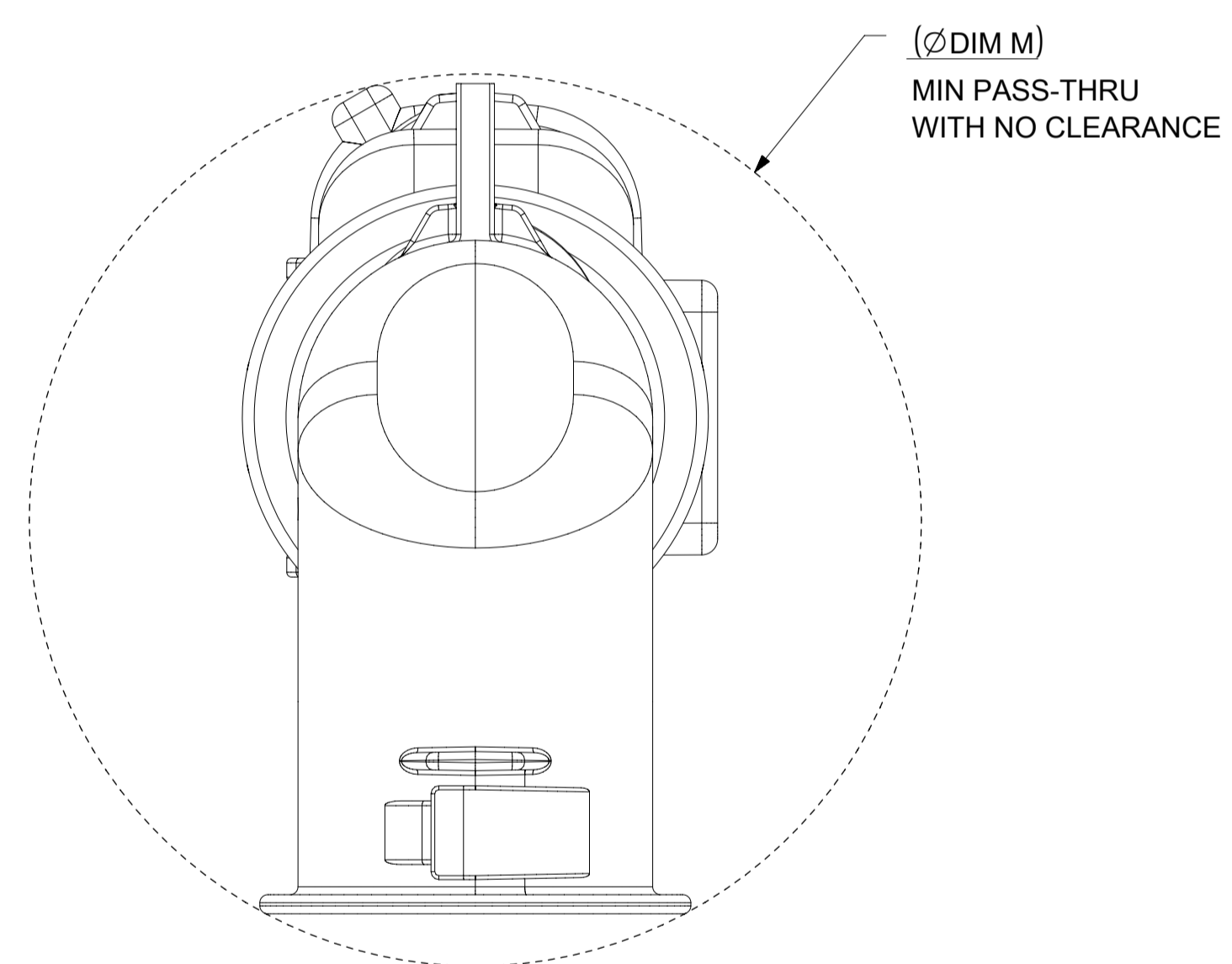
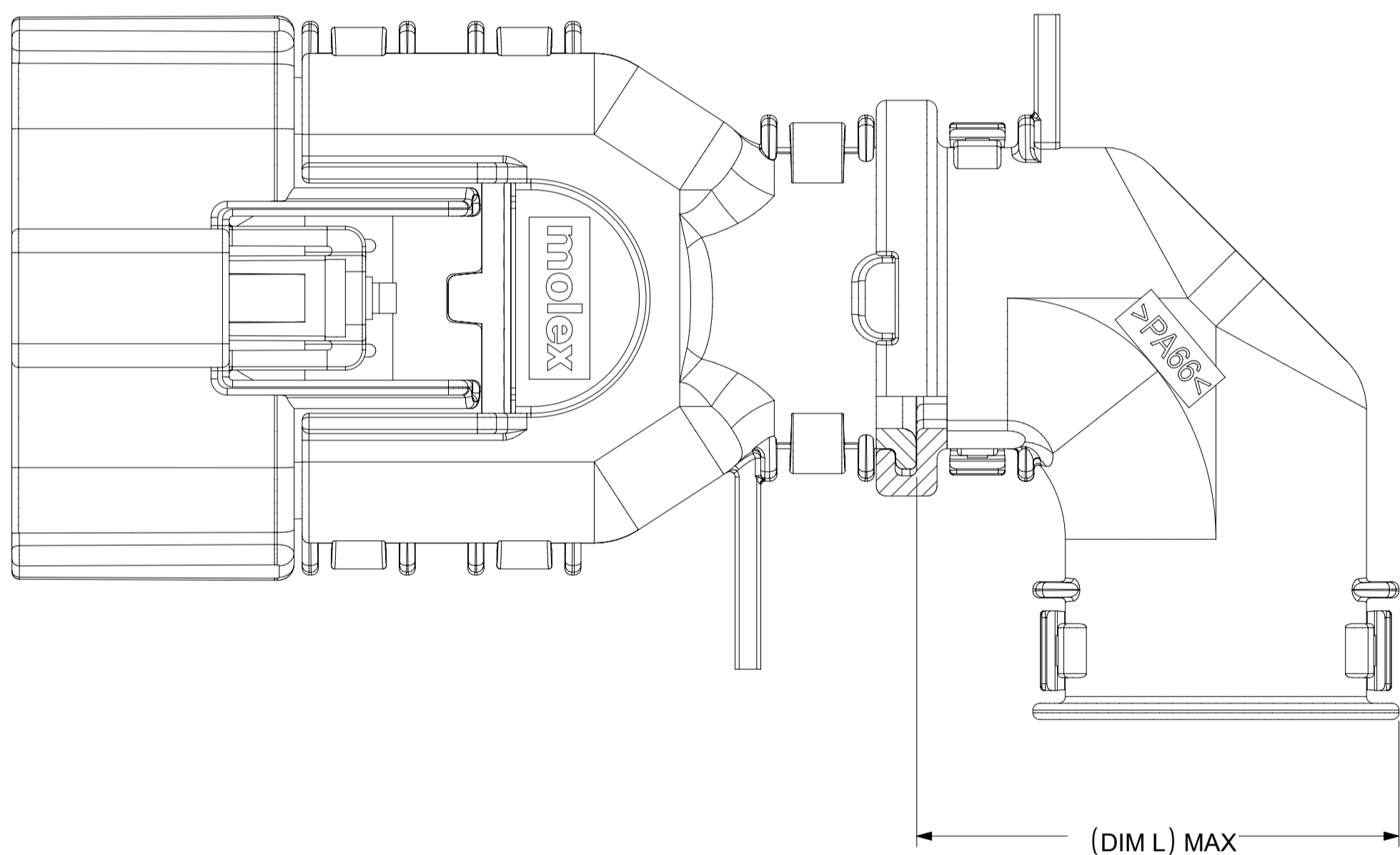
| | | | | | | | | | | | | | |
|---|---|--|--|--|---|----------------------------------|--------------------------|-----------------|--|----------------------------------|--|----------------------------|--|
| QUALITY SYMBOLS FA = 0 FE = 0 FE = 0 ▼ = 0 C = 0 ☒ = 0 ■ = 0 ∇ = 0 | THIS DRAWING CONTAINS INFORMATION THAT IS PROPRIETARY TO MOLEX ELECTRONIC TECHNOLOGIES, LLC AND SHOULD NOT BE USED WITHOUT WRITTEN PERMISSION | | | | | | | | | | | | |
| | EC NO: 171650 DRWN: DDEB CHKD: MYANSLAMBROU APPR: MYANSLAMBROU | GENERAL TOLERANCES (UNLESS SPECIFIED) mm 4:1 | | DIMENSION UNITS mm SCALE 4:1 | | | | | | | | | |
| | | ANGULAR TOL ± 1.0 ° 4 PLACES ± 3 PLACES ± 2 PLACES ± 0.1 1 PLACE ± 0.2 0 PLACES ± | | DRWN BY APROFFITT DATE 2014/05/14 | | | | | | | | | |
| | DRAFT WHERE APPLICABLE MUST REMAIN WITHIN DIMENSIONS | | CHK'D BY KBORUSZEWSKI DATE 2014/06/16 | | APPR BY VKOSHY DATE 2014/06/27 | | PRODUCT CUSTOMER DRAWING | | | | | | |
| C2 | | A1 | | DRAWING SIZE A1 | | THIRD ANGLE PROJECTION | | SERIES 33472 | | MATERIAL NUMBER SD-33472-0001 | | CUSTOMER GENERAL MARKET | |
| RELEASE STATUS P1 | | RELEASE DATE 2018/02/16 | | 22:02:25 | | DOCUMENT NUMBER SD-33472-0001 | | DOC TYPE PSD | | DOC PART 001 | | SHEET NUMBER 9 OF 11 | |

SHEET DESCRIPTION
MOLEX BACKSHELL CONFIGURATIONS

| DESCRIPTION | DIMENSIONS | | | |
|-------------------|------------|-------|-------|-------|
| | J | K | L | M |
| 2X2 W/O CLIPSLOT | TBD | TBD | TBD | TBD |
| 2X2 W/ CLIP SLOT | TBD | TBD | TBD | TBD |
| 2X2 LENGTHENED | TBD | TBD | TBD | TBD |
| 2X4 W/ CLIPSLOT | 58.39 | 32.85 | 32.10 | 44.26 |
| 2X4 W/O CLIPSLOT | N/A | N/A | N/A | N/A |
| 2X8 W/ CLIPSLOT | 67.19 | 42.65 | 36.10 | 56.49 |
| 2X8 W/O CLIPSLOT | N/A | N/A | N/A | N/A |
| 2X10 W/ CLIPSLOT | 67.19 | 42.65 | 36.10 | 56.49 |
| 2X10 W/O CLIPSLOT | N/A | N/A | N/A | N/A |

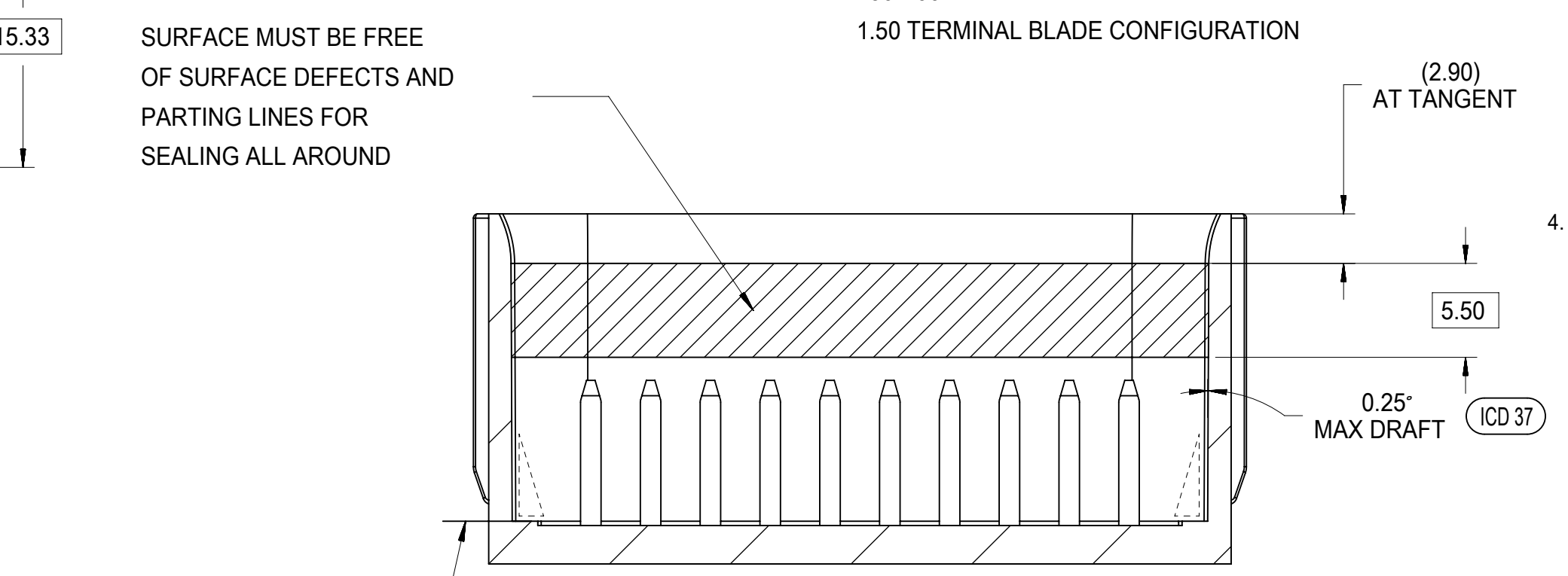
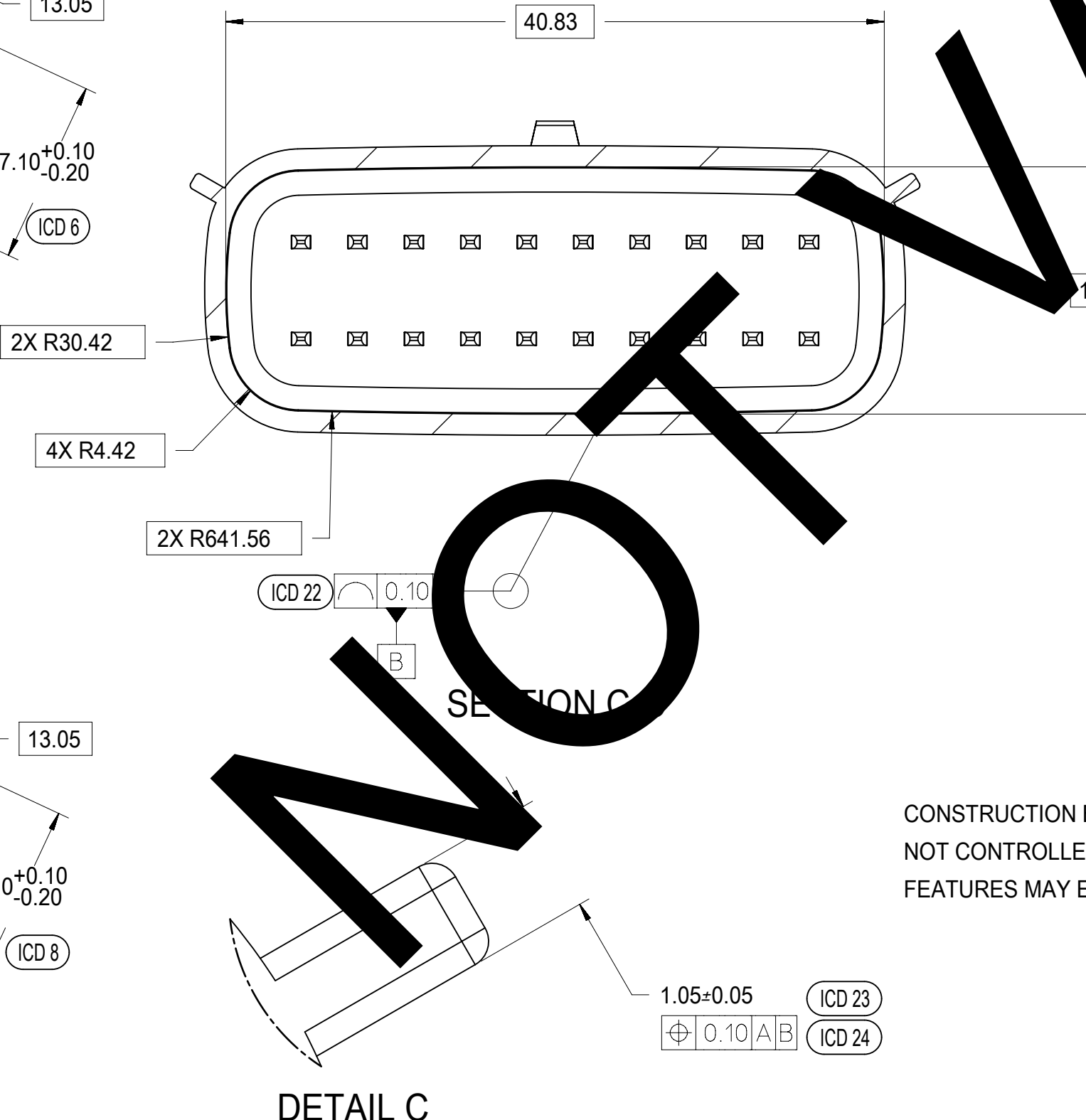
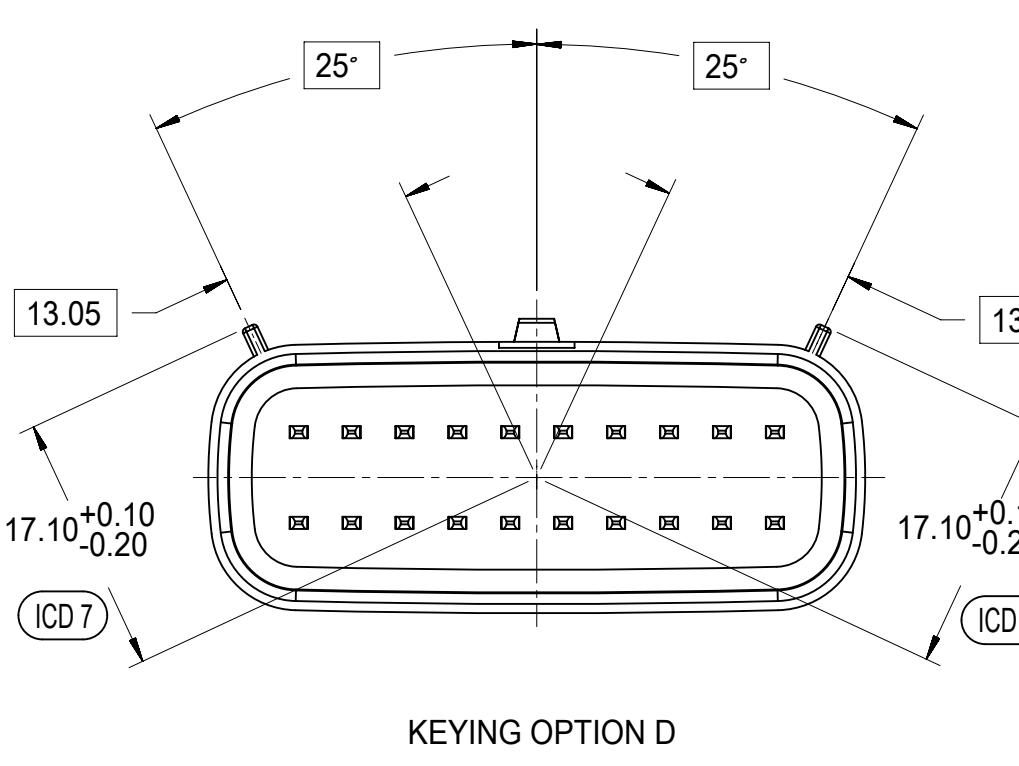
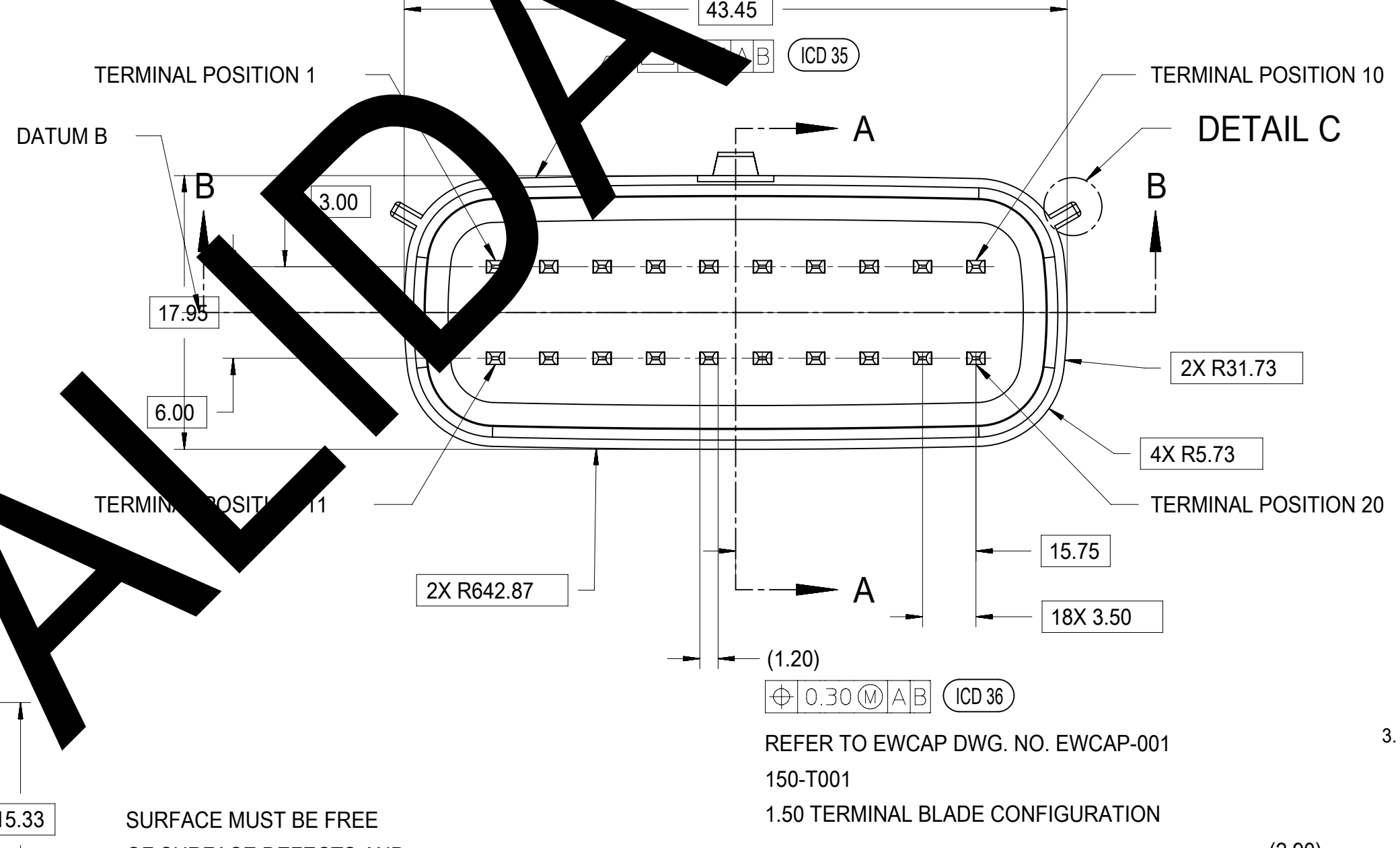
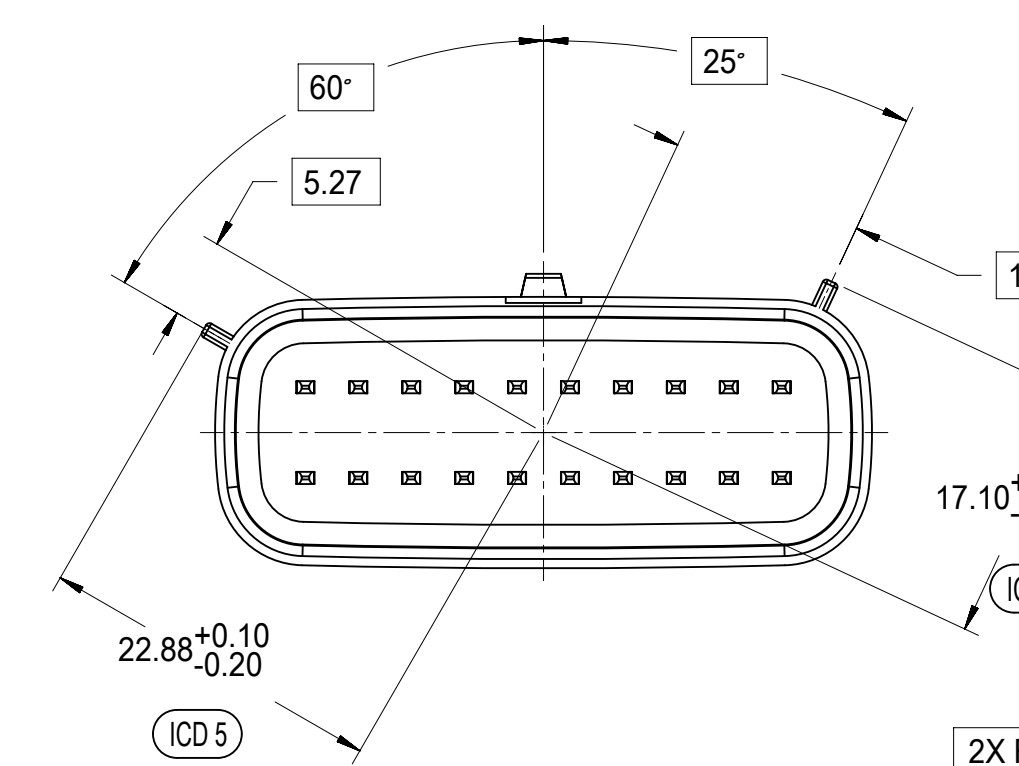
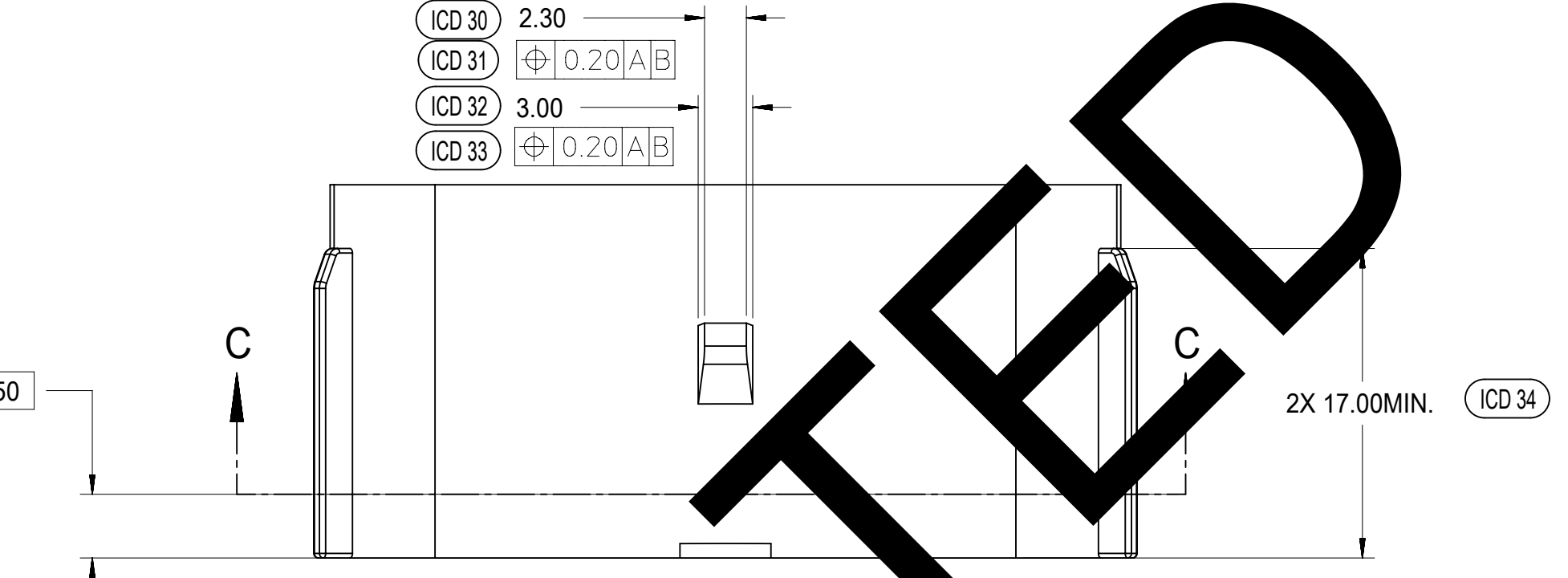
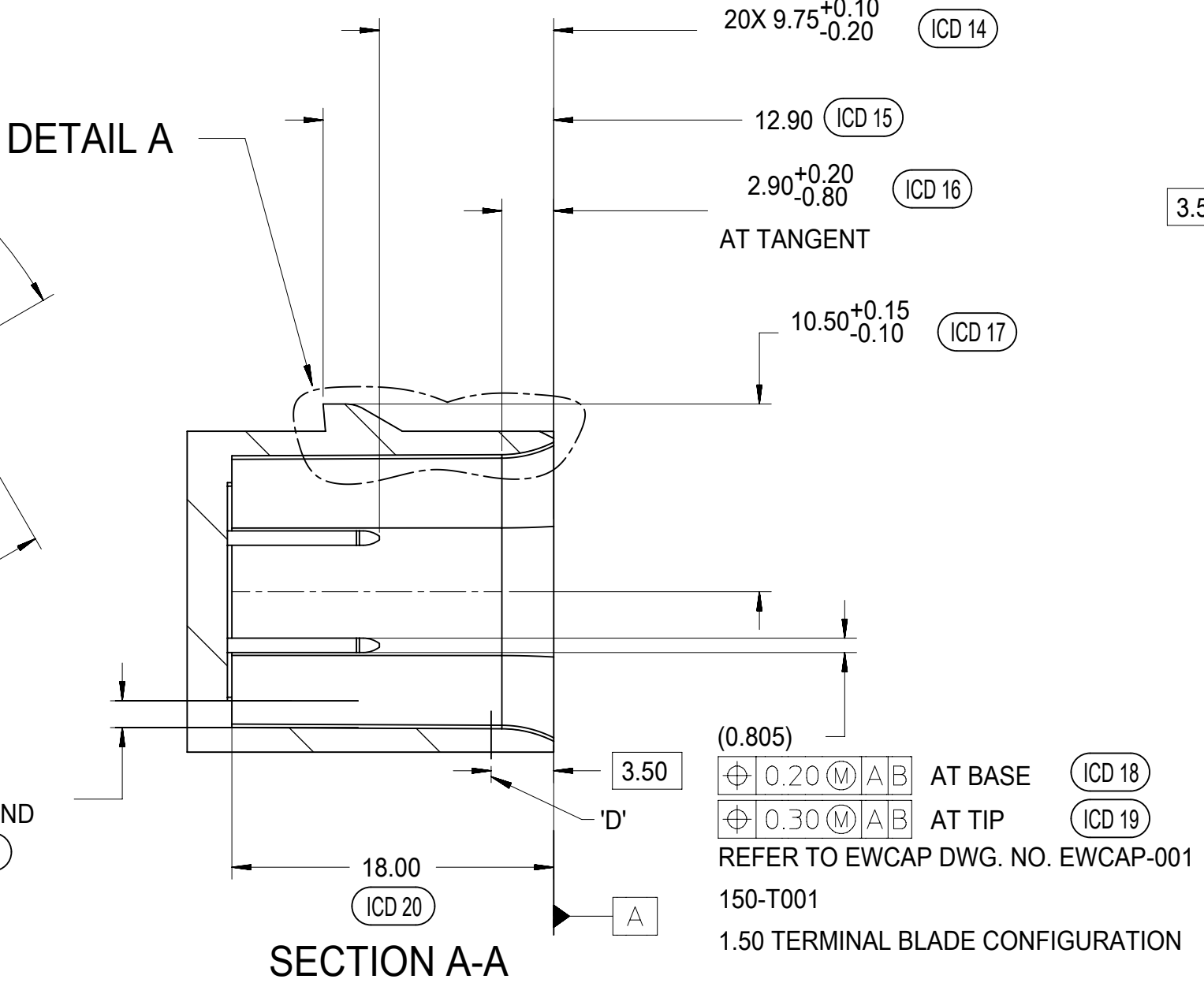
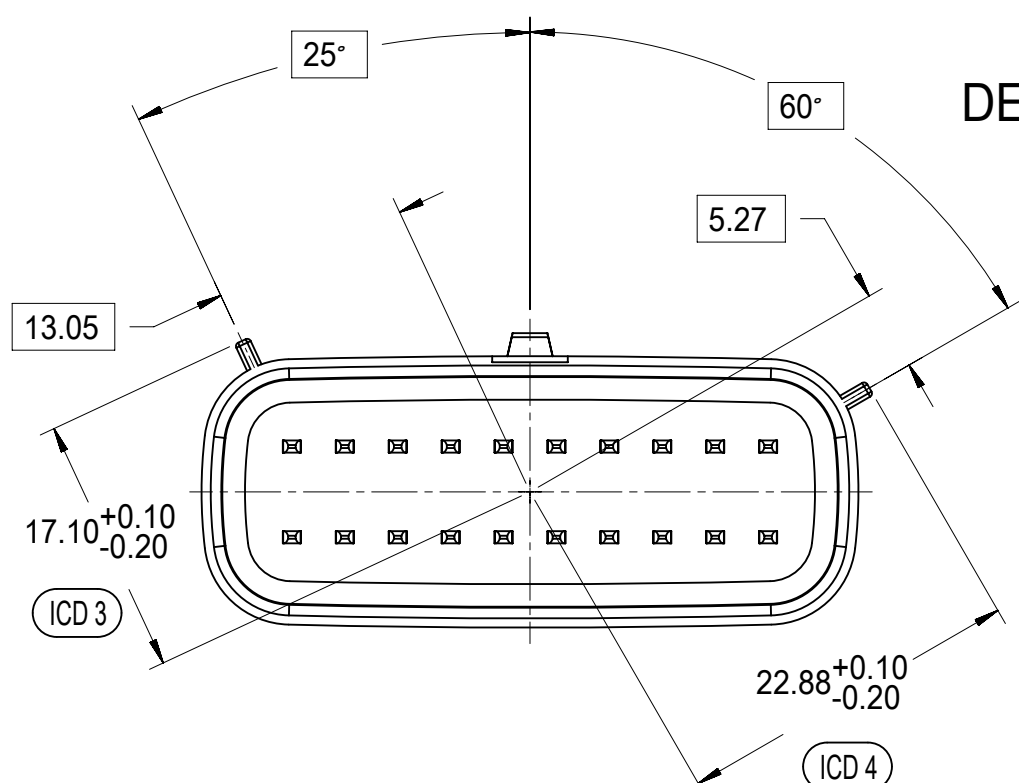
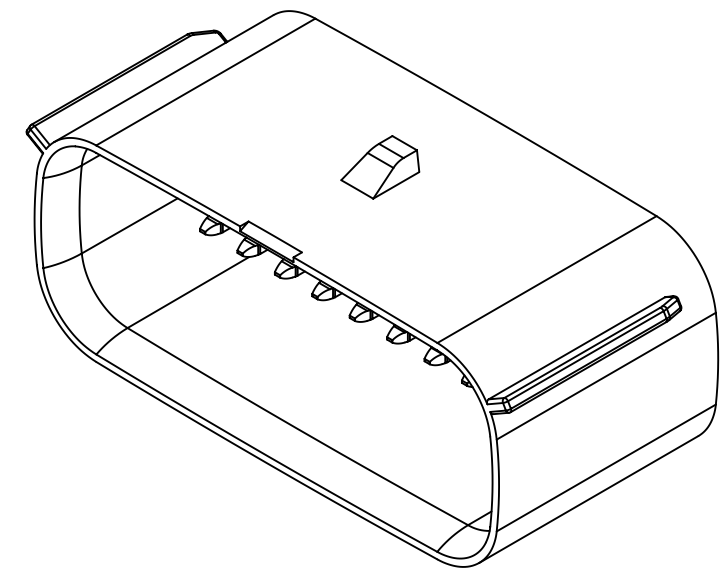
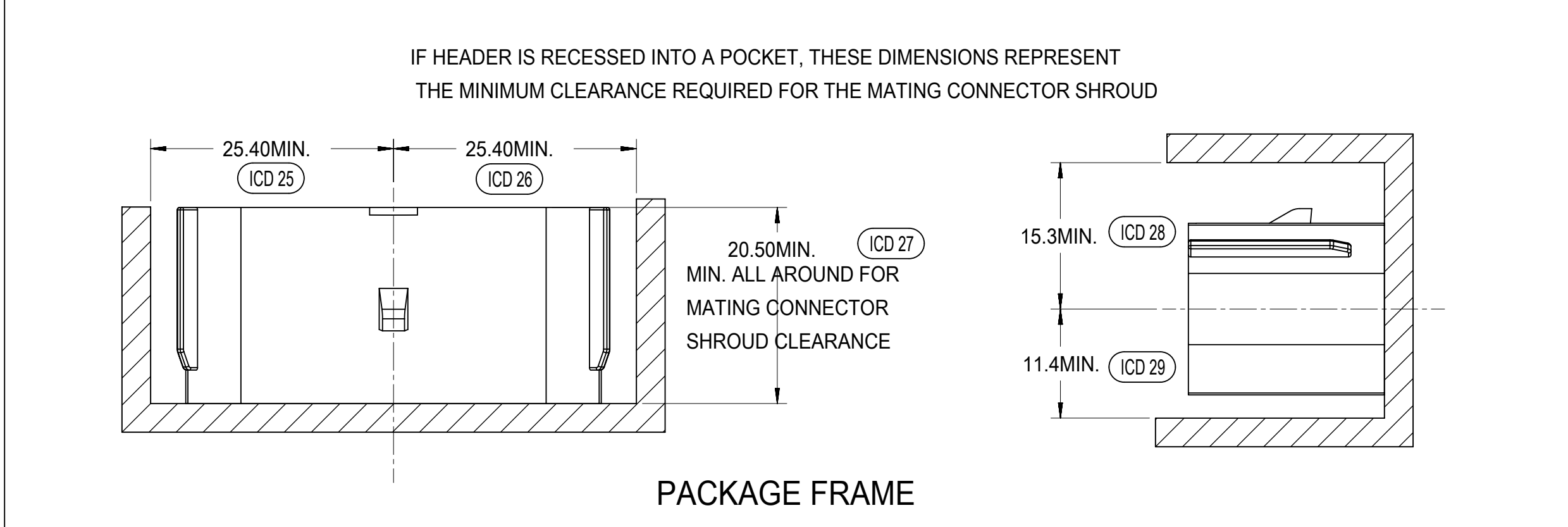
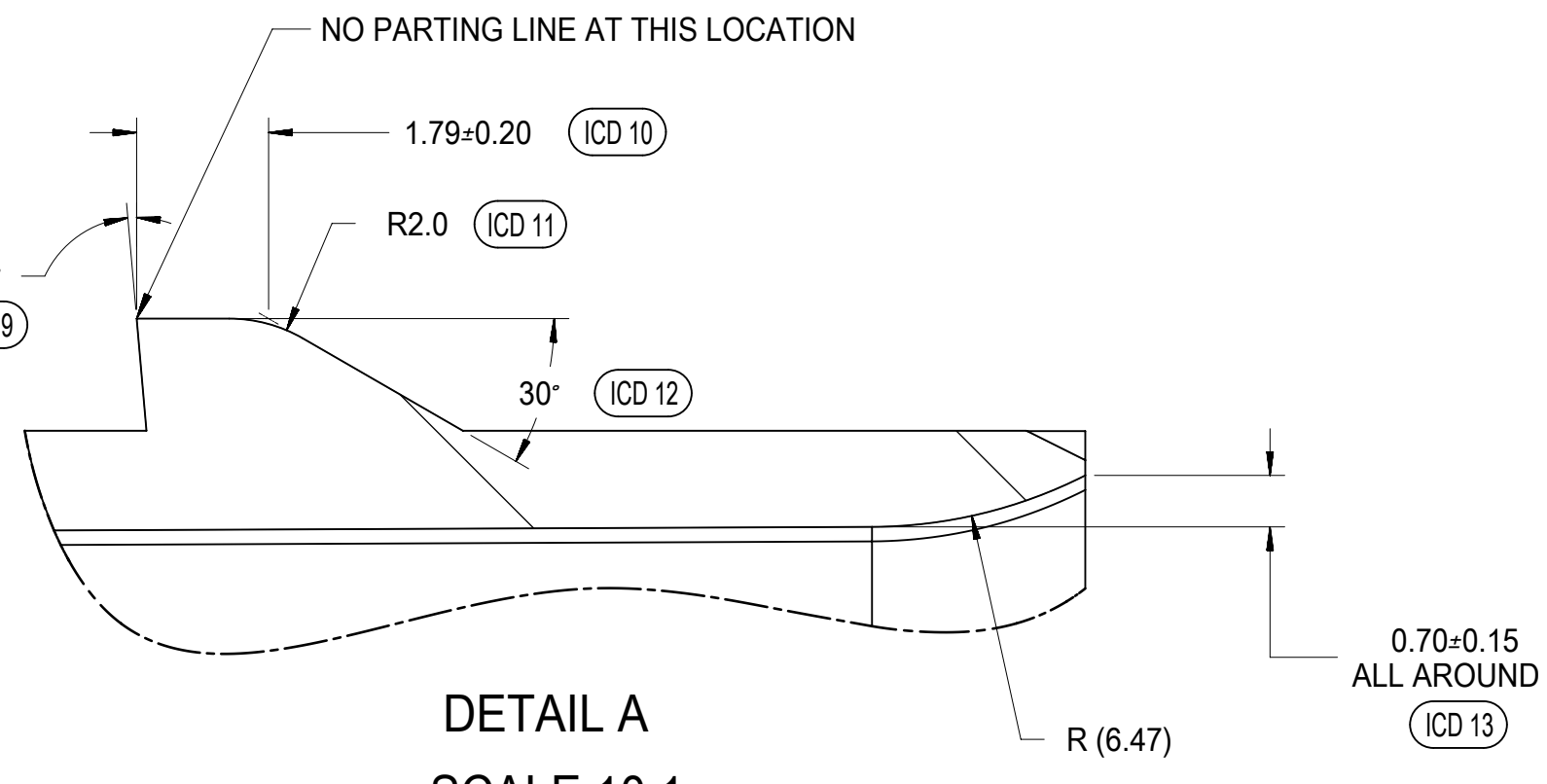
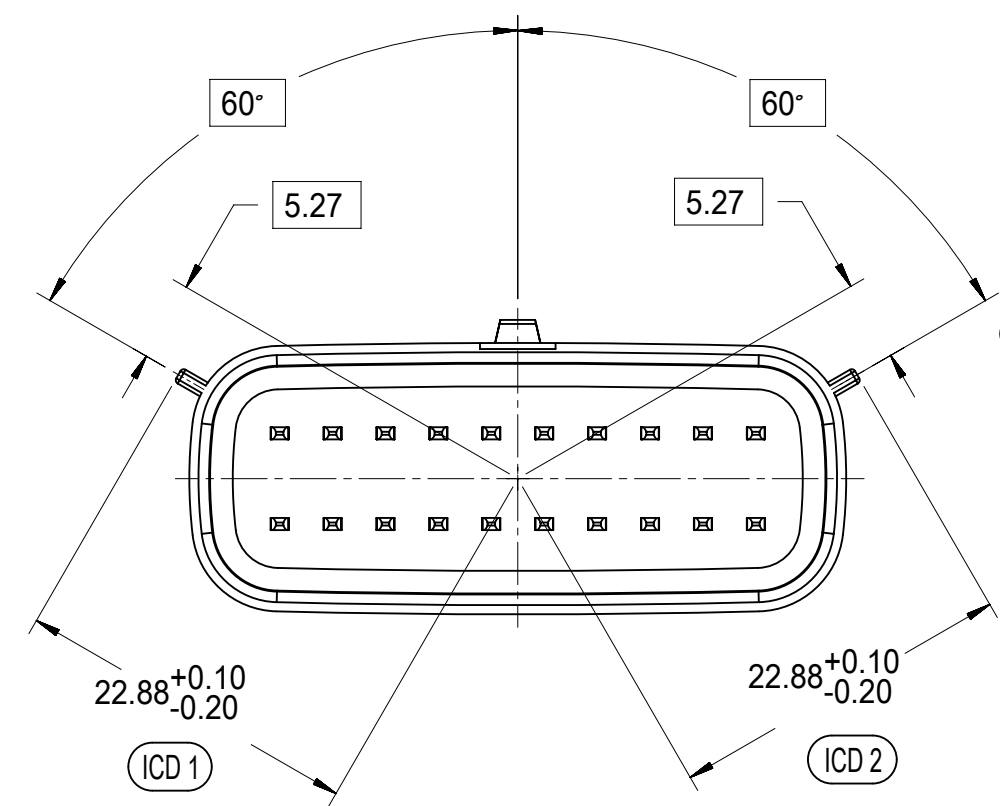


RECEPTACLE SEALED ASSEMBLY WITH RECEPTACLE BACKSHELL



ADD THE VALUE OF 'L' TO THE TOTAL DIMENSION WHENEVER ADAPTOR IS USED

| | | | | | | | |
|--|---|------------------------|-------------------|---|----------------------|----------|-----------------|
| SYMBOLS □ = 0 ▽ = 0 ▽ = 0 ▽ = 0 ▽ = 0 ▽ = 0 ▽ = 0 ▽ = 0 ▽ = 0 ▽ = 0 ▽ = 0 ▽ = 0 | THIS DRAWING CONTAINS INFORMATION THAT IS PROPRIETARY TO MOLEX ELECTRONIC TECHNOLOGIES, LLC AND SHOULD NOT BE USED WITHOUT WRITTEN PERMISSION | | CURRENT REV DESC: | | | | |
| | DIMENSION UNITS | SCALE | | | | | |
| | GENERAL TOLERANCES (UNLESS SPECIFIED) | | | | | | |
| | ANGULAR TOL ± 1.0° | | | | | | |
| | | EC NO: 171650 | | MX150 RCPT DUAL ROW SEALED ASSEMBLY MAT SEAL | | | |
| 4 PLACES ± | | DRWN: DDEB | 2018/01/19 | | | | |
| 3 PLACES ± | | CHK'D: MVANSLAMBROU | 2018/02/16 | | | | |
| 2 PLACES ± 0.1 | | APPR: MVANSLAMBROU | 2018/02/16 | PRODUCT CUSTOMER DRAWING | | | |
| 1 PLACE ± 0.2 | | INITIAL REVISION: | | | | | |
| 0 PLACES ± | | DRWN: APROFFITT | 2014/05/14 | DOCUMENT NUMBER | DOC TYPE | DOC PART | REVISION |
| DRAFT WHERE APPLICABLE MUST REMAIN WITHIN DIMENSIONS | | THIRD ANGLE PROJECTION | DRAWING | SERIES | SD-33472-0001 | | |
| | | | A1-SIZE | 33472 | MATERIAL NUMBER | CUSTOMER | SHEET NUMBER |
| | | | | | GENERAL MARKET | | 10 OF 11 |



- MATING INTERFACE NOTES: VALID UNLESS OTHERWISE SPECIFIED
- GENERAL:
 - DESIGNED TO MATE WITH MOLEX CONNECTOR 33472-2XXX & 160008-0XXX & 160074-0XXX. A FULL SHROUD ON THE MATING CONNECTOR IS REQUIRED TO INSURE THAT THE CONNECTOR-HEADER POLARIZATION FEATURES (OPTIONS A THRU D) WILL FUNCTION. THE FULL SHROUD ALSO PREVENTS SCOOP DAMAGE TO THE HEADER PINS. REFER TO 'SAE/USCAR-12 CONNECTOR DESIGN GUIDE LINES' FOR ADDITIONAL INFORMATION.
 - PARTS MUST BE IN COMPLIANCE TO MOLEX CHEMICAL SUBSTANCES FOR PRODUCTS AND PACKAGING SPECIFICATION: ES-40000-5016
 - FLAMMABILITY REQUIREMENT: PER ISO3795 OR GM3191
 - BURN RATE 100mm/MIN MAXIMUM
 - MATERIAL MUST BE SELF EXTINGUISHING
 - MATERIALS:
 - MATERIAL: SPS/NYLON GF20, REGRIND 20% MAX BY WEIGHT
 - STANDARD COLORS FOR POLARIZATION (SEE KEYING OPTIONS TABLE). DEVIATION REQUIRES APPROVAL OF AUTHORIZED PERSON
 - FOR BLADE BASE MATERIAL, PLATING AND PROCESS LUBRICANT:
 - TIN: - BASE MATERIAL: COPPER ALLOY, CONDUCTIVITY >=60% IACS AT 20°C; TENSILE STRENGTH >= 410 N/mm² P - BARRIER MATERIAL: NICKEL DEPOSIT FROM NICKEL SULFAMATE PLATING SOLUTION W/O ANY ADDITIVES THICKNESS: 1.25 - 2.25 MICROMETERS - TOP LAYER: 100% ELECTRO-DEPOSITED TIN, MATTE FINISH THICKNESS: 2.5 - 4.0 MICROMETERS
 - SILVER: - BARRIER MATERIAL: ELECTRO-DEPOSITED DUCTILE SULPHAMATE NICKEL THICKNESS: 1.25 - 2.25 MICROMETERS - TOP LAYER: ELECTRO-DEPOSITED SEMI-BRIGHT PURE SILVER (0.5% MAX IMPURITIES) OVER NICKEL ANTI-TARNISH TREATMENT EVERBRIGHT WS THICKNESS: 1.9 - 3.3 MICROMETERS
 - BLADES MUST CONFORM TO ES-40000-5007, EXCEPT FOR SPECULAR REFLECTIVITY - SECTION 6.0
 - ANY PROCESS LUBRICANT REMAINING ON THE TERMINAL MUST NOT VARNISH OR DEGRADE IT'S ELECTRICAL PERFORMANCE UP TO A MAXIMUM CLASS AMBIENT TEMPERATURE PER SAE USCAR-2 FOR 1008 HOURS, PROCESS LUBRICANTS SHOULD BE APPROVED BY THE RESPONSIBLE ENGINEER.
 - INFORMATION FOR BLADE DESIGN WAS DEVELOPED FROM EWCAP DWG: EWCAP-001
 - GEOMETRY:
 - THIS IS A 100% CAD GENERATED PART. THE CAD MATHEMATICAL DATA IS THE MASTER FOR THIS PART. FOR DIMENSIONAL OR ANY INFORMATION NOT SHOWN ON THIS DRAWING, ANALYZE THE CAD MODEL.
 - GEOMETRIC DIMENSIONS AND TOLERANCES PER ASME Y14.5M - 1994
 - GENERAL TOLERANCES: SEE TITLE BLOCK
 - EDGES AND UNDIMENSIONED DETAILS PER ISO13715
 - MANUFACTURING:
 - DRAFT TO BE WITHIN TOLERANCE. PLUS DRAFT - INDICATES A DIMENSION REPRESENTS THE SMALLEST SIZE OF A FEATURE. DRAFT WILL ADD MATERIAL. MINUS DRAFT - INDICATES A DIMENSION REPRESENTS THE LARGEST SIZE OF A FEATURE. DRAFT WILL REMOVE MATERIAL.
 - ALLOWABLE FLASH MAX 0.20 HIGH BY MAX 0.13 THICK.
 - ALLOWABLE SPLIT/PARTING LINE MISMATCH 0.2 MAX.
 - VISUAL DEFECTS SHALL MEET COSMETIC STANDARD PS-45499-002 (Class B)
 - NO EXTERNAL MOLD RELEASE AGENT ALLOWED DURING MANUFACTURING
 - NO PARTING LINES, NO DRAFT, MISMATCHES OR EJECTOR MARKS PERMISSIBLE WITHIN SEALING SURFACE. SEALING SURFACE TOOLING TO BE PROCESSED TO SURFACE FINISH OF NITRA #700 PAPER MINIMUM.

NOT VALIDATED

| | | |
|-----------------|--------|------------------------|
| 150-S-020-2-D02 | D | STONE GRAY |
| 150-S-020-2-C02 | C | DK GRAY |
| 150-S-020-2-B02 | B | LT GRAY |
| 150-S-020-2-A02 | A | BLACK |
| P/N | OPTION | MATING CONNECTOR COLOR |

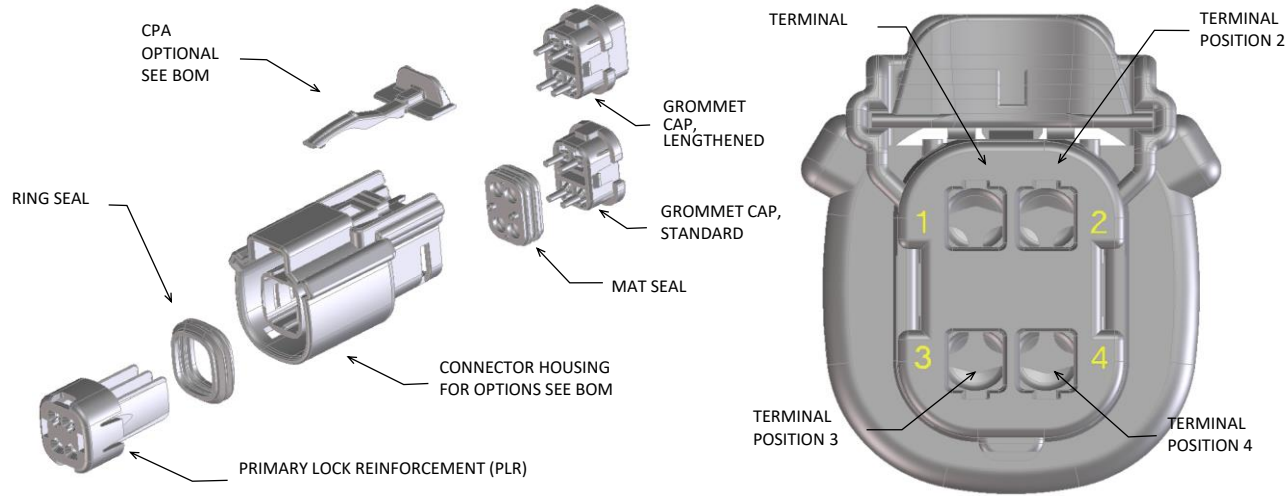
DETAIL C
SCALE 20:1
APPLIES 2X
SEE KEYING OPTION VIEWS
FOR POSITIONS

| SYMBOLS | DIMENSION UNITS | SCALE |
|---------|--|-------|
| ▽ = 0 | mm | 1:1 |
| ▽ = 0 | GENERAL TOLERANCES (UNLESS SPECIFIED) | |
| ▽ = 0 | ANGULAR TOL ± 1.0° | |
| ▽ = 0 | 4 PLACES ± | |
| ▽ = 0 | 3 PLACES ± | |
| ▽ = 0 | 2 PLACES ± 0.1 | |
| ▽ = 0 | 1 PLACE ± 0.2 | |
| ▽ = 0 | 0 PLACES ± | |
| ▽ = 0 | DRAFT WHERE APPLICABLE MUST REMAIN WITHIN DIMENSIONS | |

| CURRENT REV DESC. | |
|---------------------|------------|
| EC NO: 171650 | 2018/01/19 |
| DRWN: DDEB | 2018/02/16 |
| CHK'D: MVANSLAMBROU | 2018/02/16 |
| APPR: MVANSLAMBROU | 2018/02/16 |
| INITIAL REVISION: | |
| DRWN: APROFFITT | 2014/05/14 |
| APPR: VKOSHY | 2014/06/27 |

| | | | |
|---|----------------|--------------|----------|
| molex | | | |
| MX150 RCPT DUAL ROW SEALED ASSEMBLY MAT SEAL | | | |
| PRODUCT CUSTOMER DRAWING | | | |
| DOCUMENT NUMBER | DOC TYPE | DOC PART | REVISION |
| SD-33472-0001 | PSD | 001 | C2 |
| MATERIAL NUMBER | CUSTOMER | SHEET NUMBER | |
| | GENERAL MARKET | 11 OF 11 | |

MX150 RECEPTACLE 2X2 SEALED ASSEMBLY MAT SEAL
BOM AND PIN OUT SHEET



FOR ADDITIONAL INFORMATION SEE SD-33472-0001

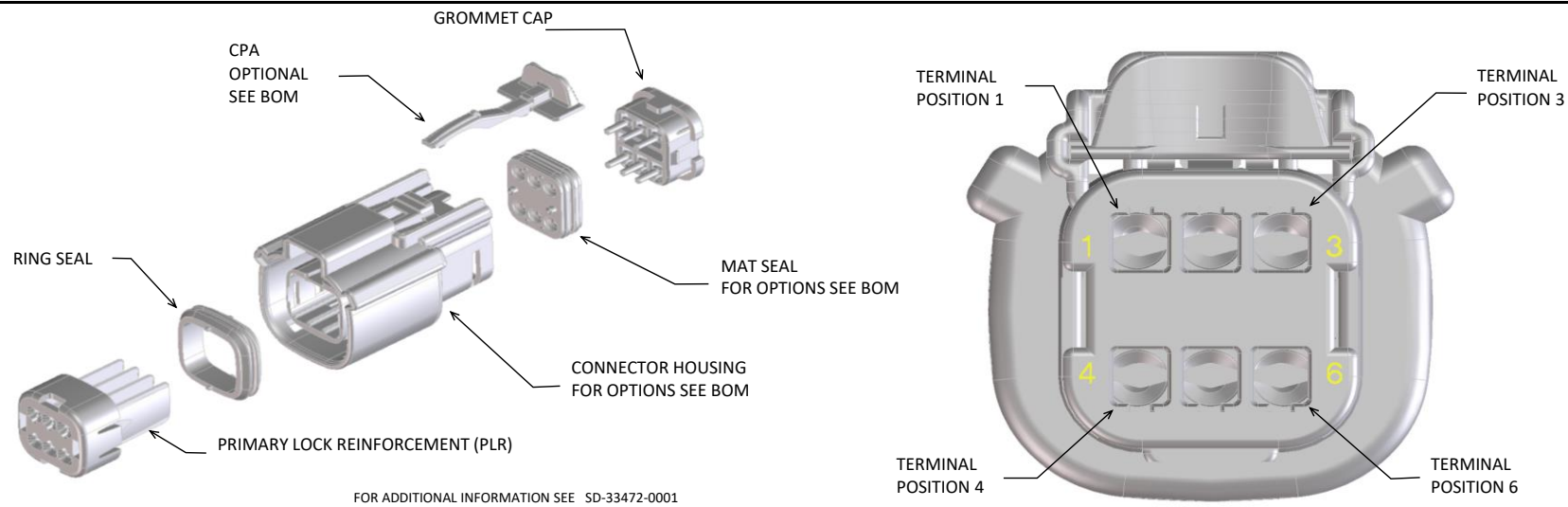
| ABBREVIATION | DESCRIPTION | COLOR | MATERIAL |
|--------------|--|------------|--------------------------------|
| A-BLK | HOUSING, KEYING OPTION A | BLACK | SPS/NYLON GF20 |
| B-LG | HOUSING, KEYING OPTION B | LIGHT GRAY | SPS/NYLON GF20 |
| C-BR | HOUSING, KEYING OPTION C | BROWN | SPS/NYLON GF20 |
| D-GR | HOUSING, KEYING OPTION D | GREEN | SPS/NYLON GF20 |
| C-DG | HOUSING, KEYING OPTION C | DARK GRAY | SPS/NYLON GF20 |
| D-SG | HOUSING, KEYING OPTION D | STONE GRAY | SPS/NYLON GF20 |
| A-YW | HOUSING, KEYING OPTION A | YELLOW | SPS/NYLON GF20 |
| A-BLK-CLIP | HOUSING, KEYING OPTION A WITH CLIPSLOT | BLACK | SPS/NYLON GF20 |
| B-LG-CLIP | HOUSING, KEYING OPTION B WITH CLIPSLOT | LIGHT GRAY | SPS/NYLON GF20 |
| C-DG-CLIP | HOUSING, KEYING OPTION C WITH CLIPSLOT | DARK GRAY | SPS/NYLON GF20 |
| D-SG-CLIP | HOUSING, KEYING OPTION D WITH CLIPSLOT | STONE GRAY | SPS/NYLON GF20 |
| A-YW-CLIP | HOUSING, KEYING OPTION A WITH CLIPSLOT | YELLOW | SPS/NYLON GF20 |
| GCP | GROMMET CAP (STANDARD PLUGGED) | BLACK | SPS/NYLON GF20 |
| GCO | GROMMET CAP (STANDARD OPEN) | BLACK | SPS/NYLON GF20 |
| GCLP | GROMMET CAP (LENGTHENED PLUGGED) | BLACK | SPS/NYLON GF20 |
| GCLO | GROMMET CAP (LENGTHENED OPEN) | BLACK | SPS/NYLON GF20 |
| PLR | PLR | NATURAL | SPS/NYLON GF20 |
| CPA | CPA | RED | PBT GF30 |
| M | MAT SEAL | RUST RED | INHERENTLY LUBRICATED SILICONE |
| R | RING SEAL | GREEN | INHERENTLY LUBRICATED SILICONE |

| ASSEMBLY DESCRIPTION | ASSEMBLY PART NUMBER | COMPONENT | | | | | | | BLOCKED TERMINALS | | | | | | | | | | | | | | | | STATUS | COMMENTS | OPTIONAL ATTACHMENTS SOLD SEPERATELY | | | | | |
|----------------------------|----------------------|---|------|----------|-----------|---|---|---|--|---|---|---|--|--|--|--|--|--|--|--|--|--|--|--|--------|----------|--------------------------------------|------------------------|--|--|--|--|
| | | THE PRESENCE OF AN ABBREVIATION INDICATES THE PRESENCE OF THAT COMPONENT. | | | | | | | CAVITY WITH A NUMBER INDICATES BLOCKED TERMINAL POSITION CAVITY WITHOUT A NUMBER INDICATES OPEN TERMINAL POSITION | | | | | | | | | | | | | | | | | | BACKSHELL WITH RIBS | BACKSHELL WITHOUT RIBS | | | | |
| HOUSING KEY/COLOR | GROMMET CAP | PLR | CPA | MAT SEAL | RING SEAL | 1 | 2 | 3 | 4 | | | | | | | | | | | | | | | | | | | | | | | |
| KEY A, BLACK, W/O CPA | 33472-4001 | A-BLK | GCO | PLR | | M | R | | | | | | | | | | | | | | | | | | | | | | | | | |
| KEY B, LIGHT GRAY, W/O CPA | 33472-4002 | B-LG | GCO | PLR | | M | R | | | | | | | | | | | | | | | | | | | | | | | | | |
| KEY C, BROWN, W/O CPA | 33472-4003 | C-BR | GCO | PLR | | M | R | | | | | | | | | | | | | | | | | | | | | | | | | |
| KEY D, GREEN, W/O CPA | 33472-4004 | D-GR | GCO | PLR | | M | R | | | | | | | | | | | | | | | | | | | | | | | | | |
| KEY A, BLACK, W/CPA | 33472-4006 | A-BLK | GCO | PLR | CPA | M | R | | | | | | | | | | | | | | | | | | | | | | | | | |
| KEY B, LIGHT GRAY, W/CPA | 33472-4007 | B-LG | GCO | PLR | CPA | M | R | | | | | | | | | | | | | | | | | | | | | | | | | |
| KEY C, BROWN, W/CPA | 33472-4008 | C-BR | GCO | PLR | CPA | M | R | | | | | | | | | | | | | | | | | | | | | | | | | |
| KEY D, GREEN, W/CPA | 33472-4009 | D-GR | GCO | PLR | CPA | M | R | | | | | | | | | | | | | | | | | | | | | | | | | |
| KEY A, BLACK, W/O CPA | 33472-4031 | A-BLK | GCP | PLR | | M | R | 1 | 2 | 3 | 4 | | | | | | | | | | | | | | | | | | | | | |
| KEY B, LIGHT GRAY, W/O CPA | 33472-4032 | B-LG | GCP | PLR | | M | R | 1 | 2 | 3 | 4 | | | | | | | | | | | | | | | | | | | | | |
| KEY C, BROWN, W/O CPA | 33472-4033 | C-BR | GCP | PLR | | M | R | 1 | 2 | 3 | 4 | | | | | | | | | | | | | | | | | | | | | |
| KEY D, GREEN, W/O CPA | 33472-4034 | D-GR | GCP | PLR | | M | R | 1 | 2 | 3 | 4 | | | | | | | | | | | | | | | | | | | | | |
| KEY A, BLACK, W/O CPA | 33472-4101 | A-BLK | GCLO | PLR | | M | R | | | | | | | | | | | | | | | | | | | | | | | | | |
| KEY B, LIGHT GRAY, W/O CPA | 33472-4102 | B-LG | GCLO | PLR | | M | R | | | | | | | | | | | | | | | | | | | | | | | | | |
| KEY C, DARK GRAY, W/O CPA | 33472-4103 | C-DG | GCLO | PLR | | M | R | | | | | | | | | | | | | | | | | | | | | | | | | |
| KEY D, STONE GRAY, W/O CPA | 33472-4104 | D-SG | GCLO | PLR | | M | R | | | | | | | | | | | | | | | | | | | | | | | | | |
| KEY A, BLACK, W/CPA | 33472-4105 | A-BLK | GCLO | PLR | CPA | M | R | | | | | | | | | | | | | | | | | | | | | | | | | |
| KEY B, LIGHT GRAY, W/CPA | 33472-4106 | B-LG | GCLO | PLR | CPA | M | R | | | | | | | | | | | | | | | | | | | | | | | | | |
| KEY C, DARK GRAY, W/CPA | 33472-4107 | C-DG | GCLO | PLR | CPA | M | R | | | | | | | | | | | | | | | | | | | | | | | | | |
| KEY D, STONE GRAY, W/CPA | 33472-4108 | D-SG | GCLO | PLR | CPA | M | R | | | | | | | | | | | | | | | | | | | | | | | | | |
| KEY A, BLACK, W/O CPA | 33472-4109 | A-BLK | GCLP | PLR | | M | R | 1 | 2 | 3 | 4 | | | | | | | | | | | | | | | | | | | | | |
| KEY B, LIGHT GRAY, W/O CPA | 33472-4110 | B-LG | GCLP | PLR | | M | R | 1 | 2 | 3 | 4 | | | | | | | | | | | | | | | | | | | | | |
| KEY C, DARK GRAY, W/O CPA | 33472-4111 | C-DG | GCLP | PLR | | M | R | 1 | 2 | 3 | 4 | | | | | | | | | | | | | | | | | | | | | |
| KEY D, STONE GRAY, W/O CPA | 33472-4112 | D-SG | GCLP | PLR | | M | R | 1 | 2 | 3 | 4 | | | | | | | | | | | | | | | | | | | | | |
| OBSOLETE | 33472-4113 | | | | | | | | | | | | | | | | | | | | | | | | | | | | | | | |
| OBSOLETE | 33472-4114 | | | | | | | | | | | | | | | | | | | | | | | | | | | | | | | |
| OBSOLETE | 33472-4115 | | | | | | | | | | | | | | | | | | | | | | | | | | | | | | | |
| OBSOLETE | 33472-4116 | | | | | | | | | | | | | | | | | | | | | | | | | | | | | | | |
| OBSOLETE | 33472-4117 | | | | | | | | | | | | | | | | | | | | | | | | | | | | | | | |
| KEY A, BLACK, W/O CPA | 33472-4035 | A-BLK | GCP | PLR | | M | R | | 2 | 3 | | | | | | | | | | | | | | | | | | | | | | |
| KEY A, BLACK, W/O CPA | 33472-4036 | A-BLK | GCP | PLR | | M | R | 1 | 2 | 3 | | | | | | | | | | | | | | | | | | | | | | |
| KEY A, BLACK, W/O CPA | 33472-4037 | A-BLK | GCP | PLR | | M | R | | | 3 | 4 | | | | | | | | | | | | | | | | | | | | | |
| KEY A, BLACK, W/O CPA | 33472-4038 | A-BLK | GCP | PLR | | M | R | | | | 3 | 4 | | | | | | | | | | | | | | | | | | | | |
| KEY A, BLACK, W/O CPA | 33472-4039 | A-BLK | GCP | PLR | | M | R | | | | | 4 | | | | | | | | | | | | | | | | | | | | |

MX150 RECEPTACLE 2X2 SEALED ASSEMBLY MAT SEAL
BOM AND PIN OUT SHEET

| ASSEMBLY DESCRIPTION | ASSEMBLY PART NUMBER | COMPONENT | | | | | | BLOCKED TERMINALS | | | | | | | | | | STATUS | COMMENTS | OPTIONAL ATTACHMENTS SOLD SEPERATELY | |
|---|----------------------|---|-------------|-----|-----|----------|-----------|--|---|---|---|--|--|--|--|--|--|--------|----------------|--------------------------------------|------------------------|
| | | THE PRESENCE OF AN ABBREVIATION INDICATES THE PRESENCE OF THAT COMPONENT. | | | | | | CAVITY WITH A NUMBER INDICATES BLOCKED TERMINAL POSITION CAVITY WITHOUT A NUMBER INDICATES OPEN TERMINAL POSITION | | | | | | | | | | | | BACKSHELL WITH RIBS | BACKSHELL WITHOUT RIBS |
| | | HOUSING KEY/COLOR | GROMMET CAP | PLR | CPA | MAT SEAL | RING SEAL | 1 | 2 | 3 | 4 | | | | | | | | | | |
| KEY A, BLACK, W/O CPA | 33472-4040 | A-BLK | GCP | PLR | | M | R | | | | | | | | | | | | SALEABLE | | |
| KEY A, BLACK, W/O CPA | 33472-4041 | A-BLK | GCP | PLR | | M | R | 1 | 2 | | | | | | | | | | SALEABLE | | |
| KEY C, DARK GRAY, W/O CPA | 33472-4042 | C-DG | GCO | PLR | | M | R | | | | | | | | | | | | SALEABLE | | |
| KEY D, STONE GRAY, W/O CPA | 33472-4043 | D-SG | GCO | PLR | | M | R | | | | | | | | | | | | SALEABLE | | |
| KEY C, DARK GRAY, W/CPA | 33472-4044 | C-DG | GCO | PLR | CPA | M | R | | | | | | | | | | | | SALEABLE | | |
| KEY D, STONE GRAY, W/CPA | 33472-4045 | D-SG | GCO | PLR | CPA | M | R | | | | | | | | | | | | SALEABLE | | |
| KEY C, DARK GRAY, W/O CPA | 33472-4046 | C-DG | GCP | PLR | | M | R | 1 | 2 | 3 | 4 | | | | | | | | SALEABLE | | |
| KEY D, STONE GRAY, W/O CPA | 33472-4047 | D-SG | GCP | PLR | | M | R | 1 | 2 | 3 | 4 | | | | | | | | SALEABLE | | |
| KEY A, BLACK, W/O CPA | 33472-4048 | A-BLK | GCP | PLR | | M | R | | 2 | | 4 | | | | | | | | SALEABLE | | |
| KEY A, BLACK, W/CPA | 33472-4049 | A-BLK | GCP | PLR | CPA | M | R | | 2 | | | | | | | | | | SALEABLE | | |
| KEY A, BLACK, W/CPA | 33472-4050 | A-BLK | GCP | PLR | CPA | M | R | | | 3 | | | | | | | | | SALEABLE | | |
| KEY A, BLACK, W/CPA | 33472-4051 | A-BLK | GCP | PLR | CPA | M | R | | | | 4 | | | | | | | | SALEABLE | | |
| KEY A, BLACK, W/O CPA | 33472-4052 | A-BLK | GCP | PLR | | M | R | | 2 | | 4 | | | | | | | | SALEABLE | | |
| KEY A, YELLOW, W/CPA | 33472-4053 | A-YW | GCO | PLR | CPA | M | R | | | | | | | | | | | | SALEABLE | | |
| KEY A, BLACK, W/O CPA | 33472-4054 | A-BLK | GCP | PLR | | M | R | 1 | | 3 | | | | | | | | | SALEABLE | | |
| KEY B, LIGHT GRAY, W/CPA | 33472-4055 | B-LG | GCP | PLR | CPA | M | R | 1 | | | | | | | | | | | SALEABLE | | |
| KEY A, BLACK, W/O CPA | 33472-4056 | A-BLK | GCP | PLR | | M | R | 1 | | | | | | | | | | | SALEABLE | | |
| KEY A, BLACK, W/CPA | 33472-4057 | A-BLK | GCP | PLR | CPA | M | R | 1 | 2 | 3 | 4 | | | | | | | | SALEABLE | | |
| KEY A, BLACK, W/CPA | 33472-4058 | A-BLK | GCP | PLR | CPA | M | R | | 2 | 3 | | | | | | | | | SALEABLE | | |
| KEY A, BLACK, W/O CPA | 33472-4059 | A-BLK | GCP | PLR | | M | R | 1 | | | 4 | | | | | | | | SALEABLE | | |
| KEY B, LIGHT GRAY, W/O CPA | 33472-4060 | B-LG | GCP | PLR | | M | R | | 2 | | 4 | | | | | | | | SALEABLE | | |
| KEY A, BLACK, WITH CLIPSLOT, W/O CPA | 33472-0501 | A-BLK-CLIP | GCO | PLR | | M | R | | | | | | | | | | | | DESIGN RELEASE | | |
| KEY B, LIGHT GRAY, WITH CLIPSLOT, W/O CPA | 33472-0502 | B-LG-CLIP | GCO | PLR | | M | R | | | | | | | | | | | | DESIGN RELEASE | | |
| KEY C, DARK GRAY, WITH CLIPSLOT, W/O CPA | 33472-0503 | C-DG-CLIP | GCO | PLR | | M | R | | | | | | | | | | | | DESIGN RELEASE | | |
| KEY D, STONE GRAY, WITH CLIPSLOT, W/O CPA | 33472-0504 | D-SG-CLIP | GCO | PLR | | M | R | | | | | | | | | | | | DESIGN RELEASE | | |
| KEY A, YELLOW, WITH CLIPSLOT, W/O CPA | 33472-0505 | A-YW-CLIP | GCO | PLR | | M | R | | | | | | | | | | | | DESIGN RELEASE | | |
| KEY A, BLACK, WITH CLIPSLOT, W/CPA | 33472-0506 | A-BLK-CLIP | GCO | PLR | CPA | M | R | | | | | | | | | | | | DESIGN RELEASE | | |
| KEY B, LIGHT GRAY, WITH CLIPSLOT, W/CPA | 33472-0507 | B-LG-CLIP | GCO | PLR | CPA | M | R | | | | | | | | | | | | DESIGN RELEASE | | |
| KEY C, DARK GRAY, WITH CLIPSLOT, W/CPA | 33472-0508 | C-DG-CLIP | GCO | PLR | CPA | M | R | | | | | | | | | | | | DESIGN RELEASE | | |
| KEY D, STONE GRAY, WITH CLIPSLOT, W/CPA | 33472-0509 | D-SG-CLIP | GCO | PLR | CPA | M | R | | | | | | | | | | | | DESIGN RELEASE | | |
| KEY A, YELLOW, WITH CLIPSLOT, W/CPA | 33472-0510 | A-YW-CLIP | GCO | PLR | CPA | M | R | | | | | | | | | | | | DESIGN RELEASE | | |

MX150 RECEPTACLE 2X3 SEALED ASSEMBLY MAT SEAL
BOM AND PIN OUT SHEET



| ABBREVIATION | DESCRIPTION | COLOR | MATERIAL |
|--------------|--|------------|--------------------------------|
| A-BLK | HOUSING, KEYING OPTION A | BLACK | SPS/NYLON GF20 |
| B-LG | HOUSING, KEYING OPTION B | LIGHT GRAY | SPS/NYLON GF20 |
| C-BR | HOUSING, KEYING OPTION C | BROWN | SPS/NYLON GF20 |
| D-GR | HOUSING, KEYING OPTION D | GREEN | SPS/NYLON GF20 |
| C-DG | HOUSING, KEYING OPTION C | DARK GRAY | SPS/NYLON GF20 |
| D-SG | HOUSING, KEYING OPTION D | STONE GRAY | SPS/NYLON GF20 |
| A-YW | HOUSING, KEYING OPTION A | YELLOW | SPS/NYLON GF20 |
| A-BLK-CLIP | HOUSING, KEYING OPTION A WITH CLIPSLOT | BLACK | SPS/NYLON GF20 |
| B-LG-CLIP | HOUSING, KEYING OPTION B WITH CLIPSLOT | LIGHT GRAY | SPS/NYLON GF20 |
| C-BR-CLIP | HOUSING, KEYING OPTION C WITH CLIPSLOT | BROWN | SPS/NYLON GF20 |
| D-GR-CLIP | HOUSING, KEYING OPTION D WITH CLIPSLOT | GREEN | SPS/NYLON GF20 |
| C-DG-CLIP | HOUSING, KEYING OPTION C WITH CLIPSLOT | DARK GRAY | SPS/NYLON GF20 |
| D-SG-CLIP | HOUSING, KEYING OPTION D WITH CLIPSLOT | STONE GRAY | SPS/NYLON GF20 |
| A-SG-CLIP | HOUSING, KEYING OPTION A WITH CLIPSLOT | YELLOW | SPS/NYLON GF20 |
| GC | GROMMET CAP | BLACK | SPS/NYLON GF20 |
| PLR | PLR | NATURAL | SPS/NYLON GF20 |
| CPA | CPA | RED | PBT GF30 |
| M | MAT SEAL | LIGHT BLUE | INHERENTLY LUBRICATED SILICONE |
| R | RING SEAL | RUST RED | INHERENTLY LUBRICATED SILICONE |

FOR ADDITIONAL INFORMATION SEE SD-33472-0001

| ASSEMBLY DESCRIPTION | ASSEMBLY PART NUMBER | COMPONENT | | | | | | BLOCKED TERMINALS | | | | | | STATUS | COMMENTS | OPTIONAL ATTACHMENTS SOLD SEPERATELY | |
|--|----------------------|---|-------------|-----|-----|----------|-----------|--|---|---|---|---|---|----------------------|------------------------|--------------------------------------|------------------------|
| | | THE PRESENCE OF AN ABBREVIATION INDICATES THE PRESENCE OF THAT COMPONENT. | | | | | | CAVITY WITH A NUMBER INDICATES BLOCKED TERMINAL POSITION CAVITY WITHOUT A NUMBER INDICATES OPEN TERMINAL POSITION | | | | | | | | BACKSHELL WITH RIBS | BACKSHELL WITHOUT RIBS |
| | | HOUSING KEY/COLOR | GROMMET CAP | PLR | CPA | MAT SEAL | RING SEAL | 1 | 2 | 3 | 4 | 5 | 6 | | | | |
| KEY A, BLACK, W/O CPA | 33472-0601 | A-BLK | GC | PLR | | M | R | | | | | | | SALEABLE | | 34951-0610 | 34951-0620 |
| KEY B, LIGHT GRAY, W/O CPA | 33472-0602 | B-LG | GC | PLR | | M | R | | | | | | | SALEABLE | | 34951-0610 | 34951-0620 |
| KEY C, BROWN, W/O CPA | 33472-0603 | C-BR | GC | PLR | | M | R | | | | | | | NOT RECOMMENDED | SEE P/N 33472-0668 | 34951-0610 | 34951-0620 |
| KEY D, GREEN, W/O CPA | 33472-0604 | D-GR | GC | PLR | | M | R | | | | | | | NOT RECOMMENDED | SEE P/N 33472-0669 | 34951-0610 | 34951-0620 |
| VOID KEY | 33472-0605 | | | | | | | | | | | | | | | | |
| KEY A, BLACK, W/CPA | 33472-0606 | A-BLK | GC | PLR | CPA | M | R | | | | | | | SALEABLE | | 34951-0610 | 34951-0620 |
| KEY B, LIGHT GRAY, W/CPA | 33472-0607 | B-LG | GC | PLR | CPA | M | R | | | | | | | SALEABLE | | 34951-0610 | 34951-0620 |
| KEY C, BROWN, W/CPA | 33472-0608 | C-BR | GC | PLR | CPA | M | R | | | | | | | NOT RECOMMENDED | SEE P/N 33472-0670 | 34951-0610 | 34951-0620 |
| KEY D, GREEN, W/CPA | 33472-0609 | D-GR | GC | PLR | CPA | M | R | | | | | | | NOT RECOMMENDED | SEE P/N 33472-0671 | 34951-0610 | 34951-0620 |
| VOID KEY | 33472-0610 | | | | | | | | | | | | | | | | |
| KEY A, BLACK, W/O CPA | 33472-0611 | A-BLK | GC | PLR | | M | R | | | 3 | | | | SALEABLE | SAME AS P/N 33472-0658 | 34951-0610 | 34951-0620 |
| KEY B, LIGHT GRAY, W/O CPA | 33472-0612 | B-LG | GC | PLR | | M | R | | | 3 | | | | SALEABLE | | 34951-0610 | 34951-0620 |
| KEY C, BROWN, W/O CPA | 33472-0613 | C-BR | GC | PLR | | M | R | | | 3 | | | | NOT RECOMMENDED | | 34951-0610 | 34951-0620 |
| KEY D, GREEN, W/O CPA | 33472-0614 | D-GR | GC | PLR | | M | R | | | 3 | | | | NOT RECOMMENDED | | 34951-0610 | 34951-0620 |
| VOID KEY | 33472-0615 | | | | | | | | | | | | | | | | |
| KEY A, BLACK, W/CPA | 33472-0616 | A-BLK | GC | PLR | CPA | M | R | | | 3 | | | | SALEABLE | | 34951-0610 | 34951-0620 |
| KEY B, LIGHT GRAY, W/CPA | 33472-0617 | B-LG | GC | PLR | CPA | M | R | | | 3 | | | | SALEABLE | | 34951-0610 | 34951-0620 |
| KEY C, BROWN, W/CPA | 33472-0618 | C-BR | GC | PLR | CPA | M | R | | | 3 | | | | NOT RECOMMENDED | | 34951-0610 | 34951-0620 |
| KEY D, GREEN, W/CPA | 33472-0619 | D-GR | GC | PLR | CPA | M | R | | | 3 | | | | NOT RECOMMENDED | | 34951-0610 | 34951-0620 |
| VOID KEY | 33472-0620 | | | | | | | | | | | | | | | | |
| KEY A, BLACK, W/O CPA | 33472-0621 | A-BLK | GC | PLR | | M | R | | | 3 | 4 | | | SALEABLE | | 34951-0610 | 34951-0620 |
| KEY B, LIGHT GRAY, W/O CPA | 33472-0622 | B-LG | GC | PLR | | M | R | | | 3 | 4 | | | SALEABLE | | 34951-0610 | 34951-0620 |
| KEY C, BROWN, W/O CPA | 33472-0623 | C-BR | GC | PLR | | M | R | | | 3 | 4 | | | NOT RECOMMENDED | | 34951-0610 | 34951-0620 |
| KEY D, GREEN, W/O CPA | 33472-0624 | D-GR | GC | PLR | | M | R | | | 3 | 4 | | | NOT RECOMMENDED | | 34951-0610 | 34951-0620 |
| VOID KEY | 33472-0625 | | | | | | | | | | | | | | | | |
| KEY A, BLACK, W/CPA | 33472-0626 | A-BLK | GC | PLR | CPA | M | R | | | 3 | 4 | | | SALEABLE | | 34951-0610 | 34951-0620 |
| KEY B, LIGHT GRAY, W/CPA | 33472-0627 | B-LG | GC | PLR | CPA | M | R | | | 3 | 4 | | | SALEABLE | | 34951-0610 | 34951-0620 |
| KEY C, BROWN, W/CPA | 33472-0628 | C-BR | GC | PLR | CPA | M | R | | | 3 | 4 | | | NOT RECOMMENDED | | 34951-0610 | 34951-0620 |
| KEY D, GREEN, W/CPA | 33472-0629 | D-GR | GC | PLR | CPA | M | R | | | 3 | 4 | | | NOT RECOMMENDED | | 34951-0610 | 34951-0620 |
| VOID KEY | 33472-0630 | | | | | | | | | | | | | | | | |
| KEY A, BLACK, W/O CPA, W/O MAT SEAL | 33472-0631 | A-BLK | GC | PLR | | | R | | | | | | | PLANNED OBSOLESCENCE | NOT VALIDATED | 34951-0610 | 34951-0620 |
| KEY B, LIGHT GRAY, W/O CPA, W/O MAT SEAL | 33472-0632 | B-LG | GC | PLR | | | R | | | | | | | PLANNED OBSOLESCENCE | NOT VALIDATED | 34951-0610 | 34951-0620 |
| KEY C, BROWN, W/O CPA, W/O MAT SEAL | 33472-0633 | C-BR | GC | PLR | | | R | | | | | | | PLANNED OBSOLESCENCE | NOT VALIDATED | 34951-0610 | 34951-0620 |
| KEY D, GREEN, W/O CPA, W/O MAT SEAL | 33472-0634 | D-GR | GC | PLR | | | R | | | | | | | PLANNED OBSOLESCENCE | NOT VALIDATED | 34951-0610 | 34951-0620 |
| VOID KEY | 33472-0635 | | | | | | | | | | | | | | | | |
| KEY A, BLACK, W/O CPA | 33472-0636 | A-BLK | GC | PLR | | M | R | 1 | 2 | 3 | 4 | 5 | 6 | SALEABLE | | 34951-0610 | 34951-0620 |
| KEY B, LIGHT GRAY, W/O CPA | 33472-0637 | B-LG | GC | PLR | | M | R | 1 | 2 | 3 | 4 | 5 | 6 | SALEABLE | | 34951-0610 | 34951-0620 |
| KEY C, BROWN, W/O CPA | 33472-0638 | C-BR | GC | PLR | | M | R | 1 | 2 | 3 | 4 | 5 | 6 | NOT RECOMMENDED | SEE P/N 33472-0749 | 34951-0610 | 34951-0620 |
| KEY D, GREEN, W/O CPA | 33472-0639 | D-GR | GC | PLR | | M | R | 1 | 2 | 3 | 4 | 5 | 6 | NOT RECOMMENDED | SEE P/N 33472-0750 | 34951-0610 | 34951-0620 |
| VOID KEY | 33472-0640 | | | | | | | | | | | | | | | | |
| KEY A, BLACK, W/O CPA | 33472-0641 | A-BLK | GC | PLR | | M | R | | 2 | 3 | 4 | 5 | | SALEABLE | | 34951-0610 | 34951-0620 |
| KEY A, BLACK, W/O CPA | 33472-0642 | A-BLK | GC | PLR | | M | R | | | 3 | 4 | | | SALEABLE | | 34951-0610 | 34951-0620 |
| KEY A, BLACK, W/CPA | 33472-0643 | A-BLK | GC | PLR | CPA | M | R | 1 | | 3 | 4 | | | SALEABLE | | 34951-0610 | 34951-0620 |
| KEY B, LIGHT GRAY, W/CPA | 33472-0644 | B-LG | GC | PLR | CPA | M | R | 1 | | 3 | 4 | | | SALEABLE | | 34951-0610 | 34951-0620 |
| KEY C, BROWN, W/CPA | 33472-0645 | C-BR | GC | PLR | CPA | M | R | 1 | | 3 | 4 | | | NOT RECOMMENDED | | 34951-0610 | 34951-0620 |
| KEY D, GREEN, W/CPA | 33472-0646 | D-GR | GC | PLR | CPA | M | R | 1 | | 3 | 4 | | | NOT RECOMMENDED | | 34951-0610 | 34951-0620 |
| VOID KEY | 33472-0647 | | | | | | | | | | | | | | | | |
| KEY A, BLACK, W/O CPA | 33472-0648 | A-BLK | GC | PLR | | M | R | 1 | | 3 | 4 | | 6 | SALEABLE | | 34951-0610 | 34951-0620 |
| KEY B, LIGHT GRAY, W/O CPA | 33472-0649 | B-LG | GC | PLR | | M | R | 1 | | 3 | 4 | | 6 | SALEABLE | | 34951-0610 | 34951-0620 |
| KEY C, BROWN, W/O CPA | 33472-0650 | C-BR | GC | PLR | | M | R | 1 | | 3 | 4 | | 6 | NOT RECOMMENDED | | 34951-0610 | 34951-0620 |
| KEY D, GREEN, W/O CPA | 33472-0651 | D-GR | GC | PLR | | M | R | 1 | | 3 | 4 | | 6 | NOT RECOMMENDED | | 34951-0610 | 34951-0620 |
| VOID KEY | 33472-0652 | | | | | | | | | | | | | | | | |
| KEY A, BLACK, W/CPA | 33472-0653 | A-BLK | GC | PLR | CPA | M | R | 1 | | 3 | 4 | | 6 | SALEABLE | | 34951-0610 | 34951-0620 |
| KEY B, LIGHT GRAY, W/CPA | 33472-0654 | B-LG | GC | PLR | CPA | M | R | 1 | | 3 | 4 | | 6 | SALEABLE | | 34951-0610 | 34951-0620 |

MX150 RECEPTACLE 2X3 SEALED ASSEMBLY MAT SEAL
BOM AND PIN OUT SHEET

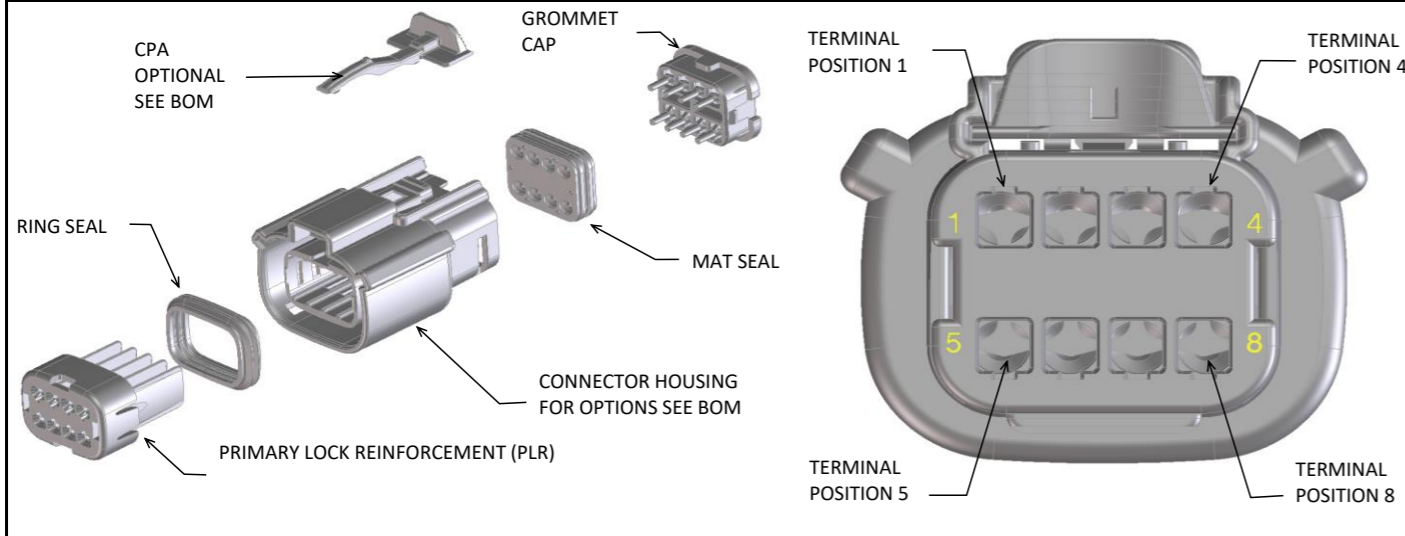
| ASSEMBLY DESCRIPTION | ASSEMBLY PART NUMBER | COMPONENT | | | | | | BLOCKED TERMINALS | | | | | | STATUS | COMMENTS | OPTIONAL ATTACHMENTS SOLD SEPERATELY | | | | |
|---|----------------------|---|-------------|-----|-----|----------|-----------|--|---|---|---|----|---|--------|----------|--------------------------------------|------------------------|-------------------------------------|------------|------------|
| | | THE PRESENCE OF AN ABBREVIATION INDICATES THE PRESENCE OF THAT COMPONENT. | | | | | | CAVITY WITH A NUMBER INDICATES BLOCKED TERMINAL POSITION CAVITY WITHOUT A NUMBER INDICATES OPEN TERMINAL POSITION | | | | | | | | BACKSHELL WITH RIBS | BACKSHELL WITHOUT RIBS | | | |
| | | HOUSING KEY/COLOR | GROMMET CAP | PLR | CPA | MAT SEAL | RING SEAL | 1 | 2 | 3 | 4 | 5 | 6 | | | | | | | |
| KEY C, BROWN, W/CPA | 33472-0655 | C-BR | GC | PLR | CPA | M | R | 1 | | | | 3 | 4 | | | | 6 | NOT RECOMMENDED | | |
| KEY D, GREEN, W/CPA | 33472-0656 | D-GR | GC | PLR | CPA | M | R | 1 | | | | 3 | 4 | | | | 6 | NOT RECOMMENDED | | |
| VOID KEY | 33472-0657 | | | | | | | | | | | | | | | | | | | |
| KEY A, BLACK, W/O CPA | 33472-0658 | A-BLK | GC | PLR | | M | R | | | | | 3 | | | | | | SALEABLE | 34951-0610 | 34951-0620 |
| KEY A, BLACK, W/O CPA | 33472-0659 | A-BLK | GC | PLR | | M | R | | | | | 3 | | | 5 | | 6 | SALEABLE | 34951-0610 | 34951-0620 |
| KEY A, BLACK, W/CPA | 33472-0660 | A-BLK | GC | PLR | CPA | M | R | 1 | | 2 | | 3 | | 4 | | 5 | 6 | SALEABLE | 34951-0610 | 34951-0620 |
| KEY A, BLACK, W/O CPA | 33472-0661 | A-BLK | GC | PLR | | M | R | | | 2 | | | | | | | | SALEABLE | 34951-0610 | 34951-0620 |
| KEY A, BLACK, W/O CPA | 33472-0662 | A-BLK | GC | PLR | | M | R | | | 2 | | | | | | 5 | | SALEABLE | 34951-0610 | 34951-0620 |
| KEY A, BLACK, W/O CPA | 33472-0663 | A-BLK | GC | PLR | | M | R | | | | | | | | | 5 | 6 | SALEABLE | 34951-0610 | 34951-0620 |
| KEY A, BLACK, W/O CPA | 33472-0664 | A-BLK | GC | PLR | | M | R | | | | | | 4 | | 5 | | 6 | SALEABLE | 34951-0610 | 34951-0620 |
| KEY A, BLACK, W/O CPA | 33472-0665 | A-BLK | GC | PLR | | M | R | 1 | | | | | | | | | | SALEABLE | 34951-0610 | 34951-0620 |
| KEY A, BLACK, W/O CPA | 33472-0666 | A-BLK | GC | PLR | | M | R | | | 2 | | | | | | 5 | 6 | SALEABLE | 34951-0610 | 34951-0620 |
| KEY A, BLACK, W/O CPA | 33472-0667 | A-BLK | GC | PLR | | M | R | 1 | | | | 3 | | | | 5 | 6 | SALEABLE | 34951-0610 | 34951-0620 |
| KEY C, DARK GRAY, W/O CPA | 33472-0668 | C-DG | GC | PLR | | M | R | | | | | | | | | | | SALEABLE | 34951-0610 | 34951-0620 |
| KEY D, STONE GRAY, W/O CPA | 33472-0669 | D-SG | GC | PLR | | M | R | | | | | | | | | | | SALEABLE | 34951-0610 | 34951-0620 |
| KEY C, DARK GRAY, W/CPA | 33472-0670 | C-DG | GC | PLR | CPA | M | R | | | | | | | | | | | SALEABLE | 34951-0610 | 34951-0620 |
| KEY D, STONE GRAY, W/CPA | 33472-0671 | D-SG | GC | PLR | CPA | M | R | | | | | | | | | | | SALEABLE | 34951-0610 | 34951-0620 |
| KEY B, LIGHT GRAY, W/O CPA | 33472-0672 | B-LG | GC | PLR | | M | R | | | | | | | | | 5 | | SALEABLE | 34951-0610 | 34951-0620 |
| KEY A, BLACK, W/O CPA | 33472-0673 | A-BLK | GC | PLR | | M | R | | | | | | | | | | 6 | SALEABLE | 34951-0610 | 34951-0620 |
| KEY A, BLACK, W/CPA | 33472-0674 | A-BLK | GC | PLR | CPA | M | R | | | | | | | | | 5 | 6 | SALEABLE | 34951-0610 | 34951-0620 |
| KEY A, BLACK, W/CPA | 33472-0675 | A-BLK | GC | PLR | CPA | M | R | | | | | | | | | | 6 | SALEABLE | 34951-0610 | 34951-0620 |
| KEY B, LIGHT GRAY, W/CPA | 33472-0676 | B-LG | GC | PLR | CPA | M | R | 1 | | | | | | | | 5 | | SALEABLE | 34951-0610 | 34951-0620 |
| KEY B, LIGHT GRAY, W/O CPA | 33472-0677 | B-LG | GC | PLR | | M | R | 1 | | | | | | | | 5 | | SALEABLE | 34951-0610 | 34951-0620 |
| KEY B, LIGHT GRAY, W/O CPA | 33472-0678 | B-LG | GC | PLR | | M | R | | | | | | | | | 5 | 6 | SALEABLE | 34951-0610 | 34951-0620 |
| KEY A, BLACK, W/CPA | 33472-0679 | A-BLK | GC | PLR | CPA | M | R | 1 | | 2 | | 3 | | | | | | SALEABLE | 34951-0610 | 34951-0620 |
| KEY A, BLACK, W/O CPA | 33472-0680 | A-BLK | GC | PLR | | M | R | 1 | | 2 | | 3 | | | | | | SALEABLE | 34951-0610 | 34951-0620 |
| KEY A, BLACK, W/CPA | 33472-0681 | A-BLK | GC | PLR | CPA | M | R | | | 2 | | | | | | | | SALEABLE | 34951-0610 | 34951-0620 |
| KEY A, YELLOW, W/CPA | 33472-0682 | A-YW | GC | PLR | CPA | M | R | | | | | | | | | | | SALEABLE | 34951-0610 | 34951-0620 |
| KEY A, BLACK, W/O CPA | 33472-0683 | A-BLK | GC | PLR | | M | R | | | | | 3 | | 4 | | 5 | 6 | SALEABLE | 34951-0610 | 34951-0620 |
| KEY A, BLACK, W/CPA | 33472-0684 | A-BLK | GC | PLR | CPA | M | R | | | | | 2 | | 3 | | | | SALEABLE | 34951-0610 | 34951-0620 |
| KEY B, LIGHT GRAY, W/CPA | 33472-0685 | B-LG | GC | PLR | CPA | M | R | 1 | | 2 | | 3 | | 4 | | 5 | 6 | SALEABLE | 34951-0610 | 34951-0620 |
| KEY B, LIGHT GRAY, W/CPA | 33472-0686 | B-LG | GC | PLR | CPA | M | R | | | 2 | | 3 | | | | | | SALEABLE | 34951-0610 | 34951-0620 |
| KEY A, BLACK, W/O CPA | 33472-0687 | A-BLK | GC | PLR | | M | R | 1 | | | | | | 4 | | | | SALEABLE | 34951-0610 | 34951-0620 |
| KEY A, BLACK, W/CPA | 33472-0688 | A-BLK | GC | PLR | CPA | M | R | | | | | | | 4 | | 5 | 6 | SALEABLE | 34951-0610 | 34951-0620 |
| KEY A, BLACK, W/CPA | 33472-0689 | A-BLK | GC | PLR | CPA | M | R | | | | | | | 4 | | | | SALEABLE | 34951-0610 | 34951-0620 |
| KEY B, LIGHT GRAY, W/CPA | 33472-0690 | B-LG | GC | PLR | CPA | M | R | | | | | | | 4 | | | | SALEABLE | 34951-0610 | 34951-0620 |
| KEY A, BLACK, W/CPA | 33472-0691 | A-BLK | GC | PLR | CPA | M | R | 1 | | | | 3 | | | | 5 | | SALEABLE | 34951-0610 | 34951-0620 |
| KEY A, BLACK, W/CPA | 33472-0692 | A-BLK | GC | PLR | CPA | M | R | | | 2 | | | | 4 | | | 6 | SALEABLE | 34951-0610 | 34951-0620 |
| KEY A, BLACK, WITH CLIPSLOT, W/O CPA | 33472-0701 | A-BLK-CLIP | GC | PLR | | M | R | | | | | | | | | | | SALEABLE | N/A | N/A |
| KEY B, LIGHT GRAY, WITH CLIPSLOT, W/O CPA | 33472-0702 | B-LG-CLIP | GC | PLR | | M | R | | | | | | | | | | | SALEABLE | N/A | N/A |
| KEY C, BROWN, WITH CLIPSLOT, W/O CPA | 33472-0703 | C-BR-CLIP | GC | PLR | | M | R | | | | | | | | | | | NOT RECOMMENDED--SEE P/N 33472-0714 | N/A | N/A |
| KEY D, GREEN, WITH CLIPSLOT, W/O CPA | 33472-0704 | D-GR-CLIP | GC | PLR | | M | R | | | | | | | | | | | NOT RECOMMENDED--SEE P/N 33472-0715 | N/A | N/A |
| KEY A, BLACK, WITH CLIPSLOT, W/CPA | 33472-0705 | A-BLK-CLIP | GC | PLR | CPA | M | R | | | | | | | | | | | SALEABLE | N/A | N/A |
| KEY B, LIGHT GRAY, WITH CLIPSLOT, W/CPA | 33472-0706 | B-LG-CLIP | GC | PLR | CPA | M | R | | | | | | | | | | | SALEABLE | N/A | N/A |
| KEY C, BROWN, WITH CLIPSLOT, W/CPA | 33472-0707 | C-BR-CLIP | GC | PLR | CPA | M | R | | | | | | | | | | | NOT RECOMMENDED--SEE P/N 33472-0716 | N/A | N/A |
| KEY D, GREEN, WITH CLIPSLOT, W/CPA | 33472-0708 | D-GR-CLIP | GC | PLR | CPA | M | R | | | | | | | | | | | NOT RECOMMENDED--SEE P/N 33472-0717 | N/A | N/A |
| KEY A, BLACK, WITH CLIPSLOT, W/O CPA | 33472-0709 | A-BLK-CLIP | GC | PLR | | M | R | | | | | 3 | | | | | | SALEABLE | N/A | N/A |
| KEY A, BLACK, WITH CLIPSLOT, W/O CPA | 33472-0710 | A-BLK-CLIP | GC | PLR | | M | R | | | 2 | | 3 | | 4 | | 5 | | SALEABLE | N/A | N/A |
| KEY A, BLACK, WITH CLIPSLOT, W/O CPA | 33472-0711 | A-BLK-CLIP | GC | PLR | | M | R | | | | | | | | | 5 | 6 | SALEABLE | N/A | N/A |
| KEY A, BLACK, WITH CLIPSLOT, W/O CPA | 33472-0712 | A-BLK-CLIP | GC | PLR | | M | R | | | | | 3 | | 4 | | | | SALEABLE | N/A | N/A |
| KEY B, LIGHT GRAY, WITH CLIPSLOT, W/O CPA | 33472-0713 | B-LG-CLIP | GC | PLR | | M | R | 1 | | | | | | | | 5 | | SALEABLE | N/A | N/A |
| KEY C, DARK GRAY, WITH CLIPSLOT, W/O CPA | 33472-0714 | C-DG-CLIP | GC | PLR | | M | R | | | | | | | | | | | SALEABLE | N/A | N/A |
| KEY D, STONE GRAY, WITH CLIPSLOT, W/O CPA | 33472-0715 | D-SG-CLIP | GC | PLR | | M | R | | | | | | | | | | | SALEABLE | N/A | N/A |
| KEY C, DARK GRAY, WITH CLIPSLOT, W/CPA | 33472-0716 | C-DG-CLIP | GC | PLR | CPA | M | R | | | | | | | | | | | SALEABLE | N/A | N/A |
| KEY D, STONE GRAY, WITH CLIPSLOT, W/CPA | 33472-0717 | D-SG-CLIP | GC | PLR | CPA | M | R | | | | | | | | | | | SALEABLE | N/A | N/A |
| KEY A, BLACK, WITH CLIPSLOT, W/O CPA | 33472-0718 | A-BLK-CLIP | GC | PLR | | M | R | | | | | 3 | | | | | 6 | SALEABLE | N/A | N/A |
| KEY B, LIGHT GRAY, WITH CLIPSLOT, W/CPA | 33472-0719 | B-LG-CLIP | GC | PLR | CPA | M | R | | | 1 | | | | | | | | SALEABLE | N/A | N/A |
| KEY B, LIGHT GRAY, WITH CLIPSLOT, W/O CPA | 33472-0720 | B-LG-CLIP | GC | PLR | | M | R | | | | | | | | | | 5 | SALEABLE | N/A | N/A |
| KEY C, DARK GRAY, WITH CLIPSLOT, W/O CPA | 33472-0721 | C-DG-CLIP | GC | PLR | | M | R | | | | | 3 | | | | | | SALEABLE | N/A | N/A |
| KEY A, BLACK, WITH CLIPSLOT, W/O CPA | 33472-0722 | A-BLK-CLIP | GC | PLR | | M | R | | | | | | | 4 | | 5 | 6 | SALEABLE | N/A | N/A |
| KEY A, BLACK, WITH CLIPSLOT, W/O CPA | 33472-0723 | A-BLK-CLIP | GC | PLR | | M | R | | | 2 | | 3 | | | | 5 | 6 | SALEABLE | N/A | N/A |
| KEY A, BLACK, WITH CLIPSLOT, W/O CPA | 33472-0724 | A-BLK-CLIP | GC | PLR | | M | R | | | 2 | | | | | | | 6 | SALEABLE | N/A | N/A |
| KEY A, BLACK, WITH CLIPSLOT, W/O CPA | 33472-0725 | A-BLK-CLIP | GC | PLR | | M | R | | | | | 3 | | | | 5 | 6 | SALEABLE | N/A | N/A |
| KEY A, BLACK, WITH CLIPSLOT, W/O CPA | 33472-0726 | A-BLK-CLIP | GC | PLR | | M | R | | | | | | | | | | 6 | SALEABLE | N/A | N/A |
| KEY A, BLACK, WITH CLIPSLOT, W/O CPA | 33472-0727 | A-BLK-CLIP | GC | PLR | | M | R | | | | | | | 4 | | | 6 | SALEABLE | N/A | N/A |
| KEY A, BLACK, WITH CLIPSLOT, W/O CPA | 33472-0728 | A-BLK-CLIP | GC | PLR | | M | R | | | 1 | | 2 | | 3 | | 5 | 6 | SALEABLE | N/A | N/A |
| KEY A, BLACK, WITH CLIPSLOT, W/O CPA | 33472-0729 | A-BLK-CLIP | GC | PLR | | M | R | 1 | | 2 | | 3 | | 4 | | 5 | 6 | SALEABLE | N/A | N/A |
| KEY A, BLACK, WITH CLIPSLOT, W/O CPA | 33472-0730 | A-BLK-CLIP | GC | PLR | | M | R | | | | | | | 4 | | | | SALEABLE | N/A | N/A |
| KEY A, BLACK, WITH CLIPSLOT, W/O CPA | 33472-0731 | A-BLK-CLIP | GC | PLR | | M | R | | | | | | | 4 | | | 6 | SALEABLE | N/A | N/A |
| KEY B, LIGHT GRAY, WITH CLIPSLOT, W/O CPA | 33472-0732 | B-LG-CLIP | GC | PLR | | M | R | | | | | | | 4 | | 5 | 6 | SALEABLE | N/A | N/A |
| KEY A, BLACK, W/CPA | 33472-0733 | A-BLK | GC | PLR | CPA | M | R | | | 2 | | </ | | | | | | | | |



**MX150 RECEPTACLE 2X3 SEALED ASSEMBLY MAT SEAL
BOM AND PIN OUT SHEET**

| ASSEMBLY DESCRIPTION | ASSEMBLY PART NUMBER | COMPONENT | | | | | | | BLOCKED TERMINALS | | | | | | STATUS | COMMENTS | OPTIONAL ATTACHMENTS SOLD SEPERATELY | |
|--------------------------------------|----------------------|---|-------------|-----|-----|----------|-----------|---|--|---|---|---|---|---|----------|----------|--------------------------------------|------------------------|
| | | THE PRESENCE OF AN ABBREVIATION INDICATES THE PRESENCE OF THAT COMPONENT. | | | | | | | CAVITY WITH A NUMBER INDICATES BLOCKED TERMINAL POSITION CAVITY WITHOUT A NUMBER INDICATES OPEN TERMINAL POSITION | | | | | | | | BACKSHELL WITH RIBS | BACKSHELL WITHOUT RIBS |
| | | HOUSING KEY/COLOR | GROMMET CAP | PLR | CPA | MAT SEAL | RING SEAL | 1 | 2 | 3 | 4 | 5 | 6 | | | | | |
| KEY A, BLACK, WITH CLIPSLOT, W/CPA | 33472-0744 | A-BLK-CLIP | GC | PLR | CPA | M | R | | | 3 | | | | | SALEABLE | | N/A | N/A |
| KEY A, BLACK, WITH CLIPSLOT, W/O CPA | 33472-0745 | A-BLK-CLIP | GC | PLR | | M | R | 1 | | | | 4 | | | SALEABLE | | N/A | N/A |
| KEY B, LIGHT GRAY, W/CPA | 33472-0746 | B-LG | GC | PLR | CPA | M | R | | | | | 4 | 5 | 6 | SALEABLE | | 34951-0610 | 34951-0620 |
| KEY A, BLACK, W/CPA | 33472-0747 | A-BLK | GC | PLR | CPA | M | R | | 2 | 3 | | 4 | 5 | | SALEABLE | | 34951-0610 | 34951-0620 |
| KEY C, DARK GRAY, W/O CPA | 33472-0748 | C-DG | GC | PLR | | M | R | | | | | | | 6 | SALEABLE | | 34951-0610 | 34951-0620 |
| KEY C, DARK GRAY, W/O CPA | 33472-0749 | C-DG | GC | PLR | | M | R | 1 | 2 | 3 | | 4 | 5 | 6 | SALEABLE | | 34951-0610 | 34951-0620 |
| KEY D, STONE GRAY, W/O CPA | 33472-0750 | D-SG | GC | PLR | | M | R | 1 | 2 | 3 | | 4 | 5 | 6 | SALEABLE | | 34951-0610 | 34951-0620 |
| KEY A, BLACK, W/O CPA | 33472-0751 | A-BLK | GC | PLR | | M | R | | 2 | 3 | | | | | SALEABLE | | 34951-0610 | 34951-0620 |
| KEY A, BLACK, WITH CLIPSLOT, W/CPA | 33472-0752 | A-BLK-CLIP | GC | PLR | CPA | M | R | 1 | | | | | 5 | 6 | SALEABLE | | N/A | N/A |
| KEY A, BLACK, WITH CLIPSLOT, W/CPA | 33472-0753 | A-BLK-CLIP | GC | PLR | CPA | M | R | | | | | | | 6 | SALEABLE | | N/A | N/A |
| KEY A, BLACK, W/CPA | 33472-0754 | A-BLK | GC | PLR | CPA | M | R | | | | | | 5 | | SALEABLE | | 34951-0610 | 34951-0620 |
| KEY A, BLACK, WITH CLIPSLOT, W/CPA | 33472-0755 | A-BLK-CLIP | GC | PLR | CPA | M | R | | | | | | 5 | 6 | SALEABLE | | N/A | N/A |
| KEY A, BLACK, W/CPA | 33472-0756 | A-BLK | GC | PLR | CPA | M | R | 1 | 2 | 3 | | 4 | | | SALEABLE | | 34951-0610 | 34951-0620 |
| KEY B, LIGHT GRAY, W/O CPA | 33472-0757 | B-LG | GC | PLR | | M | R | 1 | | | | | | | SALEABLE | | 34951-0610 | 34951-0620 |
| KEY A, BLACK, WITH CLIPSLOT, W/O CPA | 33472-7001 | A-BLK-CLIP | GC | PLR | | M | R | | | 3 | | 4 | | 6 | SALEABLE | | N/A | N/A |

MX150 RECEPTACLE 2X4 SEALED ASSEMBLY MAT SEAL
BOM AND PIN OUT SHEET



| ABBREVIATION | DESCRIPTION | COLOR | MATERIAL |
|--------------|--|------------|--------------------------------|
| A-BLK | HOUSING, KEYING OPTION A | BLACK | SPS/NYLON GF20 |
| B-LG | HOUSING, KEYING OPTION B | LIGHT GRAY | SPS/NYLON GF20 |
| C-BR | HOUSING, KEYING OPTION C | BROWN | SPS/NYLON GF20 |
| D-GR | HOUSING, KEYING OPTION D | GREEN | SPS/NYLON GF20 |
| C-DG | HOUSING, KEYING OPTION C | DARK GRAY | SPS/NYLON GF20 |
| D-SG | HOUSING, KEYING OPTION D | STONE GRAY | SPS/NYLON GF20 |
| D-BLK | HOUSING, KEYING OPTION D | BLACK | SPS/NYLON GF20 |
| A-YW | HOUSING, KEYING OPTION A | YELLOW | SPS/NYLON GF20 |
| A-BLK-CLIP | HOUSING, KEYING OPTION A WITH CLIPSLOT | BLACK | SPS/NYLON GF20 |
| B-LG-CLIP | HOUSING, KEYING OPTION B WITH CLIPSLOT | LIGHT GRAY | SPS/NYLON GF20 |
| C-BR-CLIP | HOUSING, KEYING OPTION C WITH CLIPSLOT | BROWN | SPS/NYLON GF20 |
| D-GR-CLIP | HOUSING, KEYING OPTION D WITH CLIPSLOT | GREEN | SPS/NYLON GF20 |
| C-DG-CLIP | HOUSING, KEYING OPTION C WITH CLIPSLOT | DARK GRAY | SPS/NYLON GF20 |
| D-SG-CLIP | HOUSING, KEYING OPTION D WITH CLIPSLOT | STONE GRAY | SPS/NYLON GF20 |
| D-BLK-CLIP | HOUSING, KEYING OPTION D WITH CLIPSLOT | BLACK | SPS/NYLON GF20 |
| GCO | GROMMET CAP (OPEN) | BLACK | SPS/NYLON GF20 |
| GCP | GROMMET CAP (PLUGGED) | BLACK | SPS/NYLON GF20 |
| PLR | PLR | NATURAL | SPS/NYLON GF20 |
| CPA | CPA | RED | PBT GF30 |
| M | MAT SEAL | LIGHT BLUE | INHERENTLY LUBRICATED SILICONE |
| RG | RING SEAL | GREEN | INHERENTLY LUBRICATED SILICONE |
| RR | RING SEAL | RUST RED | INHERENTLY LUBRICATED SILICONE |

FOR ADDITIONAL INFORMATION SEE SD-33472-0001

| ASSEMBLY DESCRIPTION | ASSEMBLY PART NUMBER | COMPONENT | | | | | | | BLOCKED TERMINALS | | | | | | | | STATUS | COMMENTS | OPTIONAL ATTACHMENTS SOLD SEPERATELY | | | |
|----------------------------|----------------------|---|-------------|-----|-----|----------|-----------|---|--|---|---|---|---|---|---|-------|-------------------|--------------------|--------------------------------------|------------------------|-----------------------|--------------------------|
| | | THE PRESENCE OF AN ABBREVIATION INDICATES THE PRESENCE OF THAT COMPONENT. | | | | | | | CAVITY WITH A NUMBER INDICATES BLOCKED TERMINAL POSITION CAVITY WITHOUT A NUMBER INDICATES OPEN TERMINAL POSITION | | | | | | | | | | BACKSHELL WITH RIBS | BACKSHELL WITHOUT RIBS | 90° ADAPTOR WITH RIBS | 90° ADAPTOR WITHOUT RIBS |
| | | HOUSING KEY/COLOR | GROMMET CAP | PLR | CPA | MAT SEAL | RING SEAL | 1 | 2 | 3 | 4 | 5 | 6 | 7 | 8 | | | | | | | |
| KEY A, BLACK, W/O CPA | 33472-0801 | A-BLK | GCO | PLR | | M | RG | | | | | | | | | | PLANNED OBSOLESCE | | N/A | N/A | N/A | N/A |
| KEY B, LIGHT GRAY, W/O CPA | 33472-0802 | B-LG | GCO | PLR | | M | RG | | | | | | | | | | PLANNED OBSOLESCE | | N/A | N/A | N/A | N/A |
| KEY C, BROWN, W/O CPA | 33472-0803 | C-BR | GCO | PLR | | M | RG | | | | | | | | | | PLANNED OBSOLESCE | SEE P/N 33472-0879 | N/A | N/A | N/A | N/A |
| KEY D, GREEN, W/O CPA | 33472-0804 | D-GR | GCO | PLR | | M | RG | | | | | | | | | | PLANNED OBSOLESCE | SEE P/N 33472-0880 | N/A | N/A | N/A | N/A |
| KEY D, BLACK, W/O CPA | 33472-0805 | D-BLK | GCO | PLR | | M | RG | | | | | | | | | | PLANNED OBSOLESCE | | N/A | N/A | N/A | N/A |
| KEY A, BLACK, W/CPA | 33472-0806 | A-BLK | GCO | PLR | CPA | M | RG | | | | | | | | | | PLANNED OBSOLESCE | | N/A | N/A | N/A | N/A |
| KEY B, LIGHT GRAY, W/CPA | 33472-0807 | B-LG | GCO | PLR | CPA | M | RG | | | | | | | | | | PLANNED OBSOLESCE | | N/A | N/A | N/A | N/A |
| KEY C, BROWN, W/CPA | 33472-0808 | C-BR | GCO | PLR | CPA | M | RG | | | | | | | | | | PLANNED OBSOLESCE | SEE P/N 33472-0881 | N/A | N/A | N/A | N/A |
| KEY D, GREEN, W/CPA | 33472-0809 | D-GR | GCO | PLR | CPA | M | RG | | | | | | | | | | PLANNED OBSOLESCE | SEE P/N 33472-0882 | N/A | N/A | N/A | N/A |
| VOID KEY | 33472-0810 | | | | | | | | | | | | | | | | | | | | | |
| KEY A, BLACK, W/O CPA | 33472-0811 | A-BLK | GCP | PLR | | M | RG | | | | | | | | | 4 | PLANNED OBSOLESCE | | N/A | N/A | N/A | N/A |
| KEY B, LIGHT GRAY, W/O CPA | 33472-0812 | B-LG | GCP | PLR | | M | RG | | | | | | | | | 4 | PLANNED OBSOLESCE | | N/A | N/A | N/A | N/A |
| KEY C, BROWN, W/O CPA | 33472-0813 | C-BR | GCP | PLR | | M | RG | | | | | | | | | 4 | PLANNED OBSOLESCE | | N/A | N/A | N/A | N/A |
| KEY D, GREEN, W/O CPA | 33472-0814 | D-GR | GCP | PLR | | M | RG | | | | | | | | | 4 | PLANNED OBSOLESCE | | N/A | N/A | N/A | N/A |
| VOID KEY | 33472-0815 | | | | | | | | | | | | | | | | | | | | | |
| KEY A, BLACK, W/CPA | 33472-0816 | A-BLK | GCP | PLR | CPA | M | RG | | | | | | | | | 4 | PLANNED OBSOLESCE | | N/A | N/A | N/A | N/A |
| KEY B, LIGHT GRAY, W/CPA | 33472-0817 | B-LG | GCP | PLR | CPA | M | RG | | | | | | | | | 4 | PLANNED OBSOLESCE | | N/A | N/A | N/A | N/A |
| KEY C, BROWN, W/CPA | 33472-0818 | C-BR | GCP | PLR | CPA | M | RG | | | | | | | | | 4 | PLANNED OBSOLESCE | | N/A | N/A | N/A | N/A |
| KEY D, GREEN, W/CPA | 33472-0819 | D-GR | GCP | PLR | CPA | M | RG | | | | | | | | | 4 | PLANNED OBSOLESCE | SEE P/N 33472-1009 | N/A | N/A | N/A | N/A |
| VOID KEY | 33472-0820 | | | | | | | | | | | | | | | | | | | | | |
| KEY A, BLACK, W/O CPA | 33472-0821 | A-BLK | GCP | PLR | | M | RG | | | | | | | | | 4 5 | PLANNED OBSOLESCE | | N/A | N/A | N/A | N/A |
| KEY B, LIGHT GRAY, W/O CPA | 33472-0822 | B-LG | GCP | PLR | | M | RG | | | | | | | | | 4 5 | PLANNED OBSOLESCE | | N/A | N/A | N/A | N/A |
| KEY C, BROWN, W/O CPA | 33472-0823 | C-BR | GCP | PLR | | M | RG | | | | | | | | | 4 5 | PLANNED OBSOLESCE | | N/A | N/A | N/A | N/A |
| KEY D, GREEN, W/O CPA | 33472-0824 | D-GR | GCP | PLR | | M | RG | | | | | | | | | 4 5 | PLANNED OBSOLESCE | | N/A | N/A | N/A | N/A |
| VOID KEY | 33472-0825 | | | | | | | | | | | | | | | | | | | | | |
| KEY A, BLACK, W/CPA | 33472-0826 | A-BLK | GCP | PLR | CPA | M | RG | | | | | | | | | 4 5 | PLANNED OBSOLESCE | | N/A | N/A | N/A | N/A |
| KEY B, LIGHT GRAY, W/CPA | 33472-0827 | B-LG | GCP | PLR | CPA | M | RG | | | | | | | | | 4 5 | PLANNED OBSOLESCE | | N/A | N/A | N/A | N/A |
| KEY C, BROWN, W/CPA | 33472-0828 | C-BR | GCP | PLR | CPA | M | RG | | | | | | | | | 4 5 | PLANNED OBSOLESCE | | N/A | N/A | N/A | N/A |
| KEY D, GREEN, W/CPA | 33472-0829 | D-GR | GCP | PLR | CPA | M | RG | | | | | | | | | 4 5 | PLANNED OBSOLESCE | SEE P/N 33472-1010 | N/A | N/A | N/A | N/A |
| VOID KEY | 33472-0830 | | | | | | | | | | | | | | | | | | | | | |
| KEY A, BLACK, W/O CPA | 33472-0831 | A-BLK | GCP | PLR | | M | RG | 1 | | | | | | | | 4 5 | PLANNED OBSOLESCE | | N/A | N/A | N/A | N/A |
| KEY B, LIGHT GRAY, W/O CPA | 33472-0832 | B-LG | GCP | PLR | | M | RG | 1 | | | | | | | | 4 5 | PLANNED OBSOLESCE | | N/A | N/A | N/A | N/A |
| KEY C, BROWN, W/O CPA | 33472-0833 | C-BR | GCP | PLR | | M | RG | 1 | | | | | | | | 4 5 | PLANNED OBSOLESCE | | N/A | N/A | N/A | N/A |
| KEY D, GREEN, W/O CPA | 33472-0834 | D-GR | GCP | PLR | | M | RG | 1 | | | | | | | | 4 5 | PLANNED OBSOLESCE | | N/A | N/A | N/A | N/A |
| VOID KEY | 33472-0835 | | | | | | | | | | | | | | | | | | | | | |
| KEY A, BLACK, W/CPA | 33472-0836 | A-BLK | GCP | PLR | CPA | M | RG | 1 | | | | | | | | 4 5 | PLANNED OBSOLESCE | | N/A | N/A | N/A | N/A |
| KEY B, LIGHT GRAY, W/CPA | 33472-0837 | B-LG | GCP | PLR | CPA | M | RG | 1 | | | | | | | | 4 5 | PLANNED OBSOLESCE | | N/A | N/A | N/A | N/A |
| KEY C, BROWN, W/CPA | 33472-0838 | C-BR | GCP | PLR | CPA | M | RG | 1 | | | | | | | | 4 5 | PLANNED OBSOLESCE | | N/A | N/A | N/A | N/A |
| KEY D, GREEN, W/CPA | 33472-0839 | D-GR | GCP | PLR | CPA | M | RG | 1 | | | | | | | | 4 5 | PLANNED OBSOLESCE | | N/A | N/A | N/A | N/A |
| VOID KEY | 33472-0840 | | | | | | | | | | | | | | | | | | | | | |
| KEY A, BLACK, W/O CPA | 33472-0841 | A-BLK | GCP | PLR | | M | RG | 1 | | | | | | | | 4 5 8 | PLANNED OBSOLESCE | | N/A | N/A | N/A | N/A |
| KEY B, LIGHT GRAY, W/O CPA | 33472-0842 | B-LG | GCP | PLR | | M | RG | 1 | | | | | | | | 4 5 8 | PLANNED OBSOLESCE | | N/A | N/A | N/A | N/A |
| KEY C, BROWN, W/O CPA | 33472-0843 | C-BR | GCP | PLR | | M | RG | 1 | | | | | | | | 4 5 8 | PLANNED OBSOLESCE | | N/A | N/A | N/A | N/A |
| KEY D, GREEN, W/O CPA | 33472-0844 | D-GR | GCP | PLR | | M | RG | 1 | | | | | | | | 4 5 8 | PLANNED OBSOLESCE | | N/A | N/A | N/A | N/A |
| VOID KEY | 33472-0845 | | | | | | | | | | | | | | | | | | | | | |
| KEY A, BLACK, W/CPA | 33472-0846 | A-BLK | GCP | PLR | CPA | M | RG | 1 | | | | | | | | 4 5 8 | PLANNED OBSOLESCE | | N/A | N/A | N/A | N/A |
| KEY B, LIGHT GRAY, W/CPA | 33472-0847 | B-LG | GCP | PLR | CPA | M | RG | 1 | | | | | | | | 4 5 8 | PLANNED OBSOLESCE | | N/A | N/A | N/A | N/A |
| KEY C, BROWN, W/CPA | 33472-0848 | C-BR | GCP | PLR | CPA | M | RG | 1 | | | | | | | | 4 5 8 | PLANNED OBSOLESCE | | N/A | N/A | N/A | N/A |
| KEY D, GREEN, W/CPA | 33472-0849 | D-GR | GCP | PLR | CPA | M | RG | 1 | | | | | | | | 4 5 8 | PLANNED OBSOLESCE | | N/A | N/A | N/A | N/A |
| VOID KEY | 33472-0850 | | | | | | | | | | | | | | | | | | | | | |

**MX150 RECEPTACLE 2X4 SEALED ASSEMBLY MAT SEAL
BOM AND PIN OUT SHEET**

| ASSEMBLY DESCRIPTION | ASSEMBLY PART NUMBER | COMPONENT | | | | | | | BLOCKED TERMINALS | | | | | | | | STATUS | COMMENTS | OPTIONAL ATTACHMENTS SOLD SEPERATELY | | | |
|---|----------------------|---|-------------|-----|-----|----------|-----------|---|--|---|---|---|---|---|---|----------|----------|------------|--------------------------------------|------------------------|-----------------------|--------------------------|
| | | THE PRESENCE OF AN ABBREVIATION INDICATES THE PRESENCE OF THAT COMPONENT. | | | | | | | CAVITY WITH A NUMBER INDICATES BLOCKED TERMINAL POSITION CAVITY WITHOUT A NUMBER INDICATES OPEN TERMINAL POSITION | | | | | | | | | | BACKSHELL WITH RIBS | BACKSHELL WITHOUT RIBS | 90° ADAPTOR WITH RIBS | 90° ADAPTOR WITHOUT RIBS |
| | | HOUSING KEY/COLOR | GROMMET CAP | PLR | CPA | MAT SEAL | RING SEAL | 1 | 2 | 3 | 4 | 5 | 6 | 7 | 8 | | | | | | | |
| KEY A, BLACK, WITH CLIPSLOT, W/CPA | 33472-4933 | A-BLK-CLIP | GCP | PLR | CPA | M | RR | | | | | | | | 8 | SALEABLE | | 34951-0811 | 34951-0821 | 34951-0831 | 34951-0841 | |
| KEY B, LIGHT GRAY, WITH CLIPSLOT, W/CPA | 33472-4934 | B-LG-CLIP | GCP | PLR | CPA | M | RR | | | | | | | | 8 | SALEABLE | | 34951-0811 | 34951-0821 | 34951-0831 | 34951-0841 | |
| KEY A, BLACK, WITH CLIPSLOT, W/CPA | 33472-4935 | A-BLK-CLIP | GCP | PLR | CPA | M | RR | | 2 | 3 | 4 | | | 6 | 7 | 8 | SALEABLE | | 34951-0811 | 34951-0821 | 34951-0831 | 34951-0841 |
| KEY A, BLACK, WITH CLIPSLOT, W/O CPA | 33472-4936 | A-BLK-CLIP | GCP | PLR | | M | RR | | | | | | | 6 | 7 | 8 | SALEABLE | | 34951-0811 | 34951-0821 | 34951-0831 | 34951-0841 |
| KEY A, BLACK, WITH CLIPSLOT, W/O CPA | 33472-4937 | A-BLK-CLIP | GCP | PLR | | M | RR | | | | | | | 5 | | 8 | SALEABLE | | 34951-0811 | 34951-0821 | 34951-0831 | 34951-0841 |
| KEY A, BLACK, WITH CLIPSLOT, W/O CPA | 33472-4938 | A-BLK-CLIP | GCP | PLR | | M | RR | | | | | | | 5 | | | SALEABLE | | 34951-0811 | 34951-0821 | 34951-0831 | 34951-0841 |
| KEY A, BLACK, WITH CLIPSLOT, W/O CPA | 33472-4939 | A-BLK-CLIP | GCP | PLR | | M | RR | | | | 4 | 5 | 6 | 7 | 8 | SALEABLE | | 34951-0811 | 34951-0821 | 34951-0831 | 34951-0841 | |
| KEY A, BLACK, WITH CLIPSLOT, W/O CPA | 33472-4940 | A-BLK-CLIP | GCP | PLR | | M | RR | 1 | 2 | | | | | 5 | 6 | | SALEABLE | | 34951-0811 | 34951-0821 | 34951-0831 | 34951-0841 |
| KEY A, BLACK, WITH CLIPSLOT, W/O CPA | 33472-4941 | A-BLK-CLIP | GCP | PLR | | M | RR | 1 | 2 | 3 | 4 | 5 | 6 | | | | SALEABLE | | 34951-0811 | 34951-0821 | 34951-0831 | 34951-0841 |
| KEY A, BLACK, WITH CLIPSLOT, W/O CPA | 33472-4942 | A-BLK-CLIP | GCP | PLR | | M | RR | | | | 4 | 5 | 6 | | | | SALEABLE | | 34951-0811 | 34951-0821 | 34951-0831 | 34951-0841 |
| KEY A, BLACK, WITH CLIPSLOT, W/O CPA | 33472-4943 | A-BLK-CLIP | GCP | PLR | | M | RR | | 2 | 3 | | | | 6 | 7 | | SALEABLE | | 34951-0811 | 34951-0821 | 34951-0831 | 34951-0841 |
| KEY A, BLACK, WITH CLIPSLOT, W/O CPA | 33472-4944 | A-BLK-CLIP | GCP | PLR | | M | RR | | | | 4 | 5 | | 7 | | | SALEABLE | | 34951-0811 | 34951-0821 | 34951-0831 | 34951-0841 |
| KEY A, BLACK, WITH CLIPSLOT, W/O CPA | 33472-4945 | A-BLK-CLIP | GCP | PLR | | M | RR | | | | | | | 7 | | | SALEABLE | | 34951-0811 | 34951-0821 | 34951-0831 | 34951-0841 |
| KEY A, BLACK, WITH CLIPSLOT, W/O CPA | 33472-4946 | A-BLK-CLIP | GCP | PLR | | M | RR | | | 3 | | | | 7 | | | SALEABLE | | 34951-0811 | 34951-0821 | 34951-0831 | 34951-0841 |
| KEY A, BLACK, WITH CLIPSLOT, W/O CPA | 33472-4947 | A-BLK-CLIP | GCP | PLR | | M | RR | 1 | | 3 | 4 | 5 | 6 | 7 | 8 | | SALEABLE | | 34951-0811 | 34951-0821 | 34951-0831 | 34951-0841 |
| KEY A, BLACK, WITH CLIPSLOT, W/CPA | 33472-5063 | A-BLK-CLIP | GCP | PLR | CPA | M | RR | | | | | 5 | 6 | 7 | 8 | | SALEABLE | | 34951-0811 | 34951-0821 | 34951-0831 | 34951-0841 |
| KEY A, BLACK, WITH CLIPSLOT, W/O CPA | 33472-5064 | A-BLK-CLIP | GCP | PLR | | M | RR | | | | | 5 | 6 | 7 | 8 | | SALEABLE | | 34951-0811 | 34951-0821 | 34951-0831 | 34951-0841 |
| KEY B, LIGHT GRAY, W/O CPA | 33472-5065 | B-LG | GCP | PLR | | M | RR | 1 | | | 4 | | | | 7 | 8 | SALEABLE | | N/A | N/A | N/A | N/A |
| KEY A, BLACK, W/O CPA | 33472-5066 | A-BLK | GCP | PLR | | M | RR | | | 3 | | | | | | | SALEABLE | | N/A | N/A | N/A | N/A |
| KEY A, BLACK, WITH CLIPSLOT, W/O CPA | 33472-5067 | A-BLK-CLIP | GCP | PLR | | M | RR | 1 | | | | | | | 7 | 8 | SALEABLE | | 34951-0811 | 34951-0821 | 34951-0831 | 34951-0841 |

MX150 RECEPTACLE 2X6 SEALED ASSEMBLY MAT SEAL
BOM AND PIN OUT SHEET

Table with columns: ASSEMBLY DESCRIPTION, ASSEMBLY PART NUMBER, COMPONENT (HOUSING KEY/COLOR, GROMMET CAP, PLR, CPA, MAT SEAL, RING SEAL), BLOCKED TERMINALS (1-12), STATUS, COMMENTS, OPTIONAL ATTACHMENTS SOLD SEPERATELY (BACKSHELL WITH RIBS, BACKSHELL WITHOUT RIBS). Rows list various assembly part numbers and their specifications.

**MX150 RECEPACLE 2X6 SEALED ASSEMBLY MAT SEAL
BOM AND PIN OUT SHEET**

| ASSEMBLY DESCRIPTION | ASSEMBLY PART NUMBER | COMPONENT | | | | | | BLOCKED TERMINALS | | | | | | | | | | | | STATUS | COMMENTS | OPTIONAL ATTACHMENTS SOLD SEPERATELY | | |
|---|----------------------|---|-------------|-----|-----|----------|-----------|--|---|---|---|---|---|---|---|---|----|----|----|-----------------|--------------------|--------------------------------------|------------------------|------------|
| | | THE PRESENCE OF AN ABBREVIATION INDICATES THE PRESENCE OF THAT COMPONENT. | | | | | | CAVITY WITH A NUMBER INDICATES BLOCKED TERMINAL POSITION CAVITY WITHOUT A NUMBER INDICATES OPEN TERMINAL POSITION | | | | | | | | | | | | | | BACKSHELL WITH RIBS | BACKSHELL WITHOUT RIBS | |
| | | HOUSING KEY/COLOR | GROMMET CAP | PLR | CPA | MAT SEAL | RING SEAL | 1 | 2 | 3 | 4 | 5 | 6 | 7 | 8 | 9 | 10 | 11 | 12 | | | | | |
| KEY A, BLACK, WITH CLIPSLOT, W/O CPA | 33472-1420 | A-BLK-CLIP | GC | PLR | | M | R | | | 3 | 4 | 5 | 6 | 7 | 8 | 9 | 10 | 11 | 12 | SALEABLE | | N/A | N/A | |
| KEY A, BLACK, WITH CLIPSLOT, W/O CPA | 33472-1421 | A-BLK-CLIP | GC | PLR | | M | R | | 1 | 2 | | | | | | | | | | SALEABLE | | N/A | N/A | |
| KEY A, BLACK, WITH CLIPSLOT, W/O CPA | 33472-1422 | A-BLK-CLIP | GC | PLR | | M | R | | 1 | 2 | 3 | 4 | 5 | 6 | 7 | 8 | | | | SALEABLE | | N/A | N/A | |
| KEY A, BLACK, WITH CLIPSLOT, W/O CPA | 33472-1423 | A-BLK-CLIP | GC | PLR | | M | R | | 1 | 2 | 3 | 4 | 5 | 6 | 7 | 8 | 9 | | | SALEABLE | | N/A | N/A | |
| KEY A, BLACK, WITH CLIPSLOT, W/O CPA | 33472-1424 | A-BLK-CLIP | GC | PLR | | M | R | | 1 | 2 | 3 | | 6 | 7 | 8 | | 10 | 11 | 12 | SALEABLE | | N/A | N/A | |
| KEY A, BLACK, WITH CLIPSLOT, W/O CPA | 33472-1425 | A-BLK-CLIP | GC | PLR | | M | R | | | | 4 | | | | | | 10 | | | SALEABLE | | N/A | N/A | |
| KEY A, BLACK, WITH CLIPSLOT, W/O CPA | 33472-1426 | A-BLK-CLIP | GC | PLR | | M | R | | 1 | | | | | | 8 | | 10 | 11 | | SALEABLE | | N/A | N/A | |
| KEY C, BROWN, WITH CLIPSLOT, W/O CPA | 33472-1427 | C-BR-CLIP | GC | PLR | | M | R | | 1 | 2 | | | 5 | 6 | | | | | | NOT RECOMMENDED | SEE P/N 33472-1433 | N/A | N/A | |
| KEY C, BROWN, WITH CLIPSLOT, W/O CPA | 33472-1428 | C-BR-CLIP | GC | PLR | | M | R | | | | 3 | 4 | | | | | | | | NOT RECOMMENDED | SEE P/N 33472-1434 | N/A | N/A | |
| KEY C, BROWN, WITH CLIPSLOT, W/O CPA | 33472-1429 | C-BR-CLIP | GC | PLR | | M | R | | 1 | 2 | 3 | 4 | | | | | | | | NOT RECOMMENDED | SEE P/N 33472-1435 | N/A | N/A | |
| KEY C, BROWN, WITH CLIPSLOT, W/O CPA | 33472-1430 | C-BR-CLIP | GC | PLR | | M | R | | 1 | 2 | 3 | 4 | 5 | 6 | | | | | | NOT RECOMMENDED | SEE P/N 33472-1436 | N/A | N/A | |
| KEY A, BLACK, WITH CLIPSLOT, W/CPA | 33472-1431 | A-BLK-CLIP | GC | PLR | CPA | M | R | | | | | | | 7 | 8 | | | | | SALEABLE | | N/A | N/A | |
| KEY A, BLACK, WITH CLIPSLOT, W/O CPA | 33472-1432 | A-BLK-CLIP | GC | PLR | | M | R | | | | 3 | 4 | 5 | 6 | | 9 | 10 | 11 | | SALEABLE | | N/A | N/A | |
| KEY C, DARK GRAY, WITH CLIPSLOT, W/O CPA | 33472-1433 | C-DG-CLIP | GC | PLR | | M | R | | 1 | 2 | | | 5 | 6 | | | | | | SALEABLE | | N/A | N/A | |
| KEY C, DARK GRAY, WITH CLIPSLOT, W/O CPA | 33472-1434 | C-DG-CLIP | GC | PLR | | M | R | | | | 3 | 4 | | | | | | | | SALEABLE | | N/A | N/A | |
| KEY C, DARK GRAY, WITH CLIPSLOT, W/O CPA | 33472-1435 | C-DG-CLIP | GC | PLR | | M | R | | 1 | 2 | 3 | 4 | | | | | | | | SALEABLE | | N/A | N/A | |
| KEY C, DARK GRAY, WITH CLIPSLOT, W/O CPA | 33472-1436 | C-DG-CLIP | GC | PLR | | M | R | | 1 | 2 | 3 | 4 | 5 | 6 | | | | | | SALEABLE | | N/A | N/A | |
| KEY A, BLACK, WITH CLIPSLOT, W/O CPA | 33472-1437 | A-BLK-CLIP | GC | PLR | | M | R | | | | | | | | 8 | 9 | 10 | | 12 | SALEABLE | | N/A | N/A | |
| KEY A, BLACK, WITH CLIPSLOT, W/O CPA | 33472-1438 | A-BLK-CLIP | GC | PLR | | M | R | | 1 | 2 | | 4 | | | 7 | 8 | | 10 | 12 | SALEABLE | | N/A | N/A | |
| KEY A, BLACK, WITH CLIPSLOT, W/O CPA | 33472-1439 | A-BLK-CLIP | GC | PLR | | M | R | | | 2 | 3 | | 5 | | | | | 11 | | SALEABLE | | N/A | N/A | |
| KEY A, BLACK, WITH CLIPSLOT, W/O CPA | 33472-1440 | A-BLK-CLIP | GC | PLR | | M | R | | 1 | 2 | 3 | | | | | 9 | | 11 | | SALEABLE | | N/A | N/A | |
| KEY A, BLACK, WITH CLIPSLOT, W/O CPA | 33472-1441 | A-BLK-CLIP | GC | PLR | | M | R | | 1 | 2 | 3 | | 5 | | | 9 | | 11 | | SALEABLE | | N/A | N/A | |
| KEY A, BLACK, WITH CLIPSLOT, W/O CPA | 33472-1442 | A-BLK-CLIP | GC | PLR | | M | R | | 1 | 2 | 3 | 4 | 5 | | 7 | 8 | | | | SALEABLE | | N/A | N/A | |
| KEY A, BLACK, WITH CLIPSLOT, W/O CPA | 33472-1443 | A-BLK-CLIP | GC | PLR | | M | R | | | | | 5 | | | 8 | | | | | SALEABLE | | N/A | N/A | |
| KEY A, BLACK, WITH CLIPSLOT, W/O CPA | 33472-1444 | A-BLK-CLIP | GC | PLR | | M | R | | | 2 | | | 5 | | | 9 | | | | SALEABLE | | N/A | N/A | |
| KEY A, BLACK, WITH CLIPSLOT, W/O CPA | 33472-1445 | A-BLK-CLIP | GC | PLR | | M | R | | | 2 | | | 5 | | 7 | | | | 12 | SALEABLE | | N/A | N/A | |
| KEY A, BLACK, WITH CLIPSLOT, W/O CPA | 33472-1446 | A-BLK-CLIP | GC | PLR | | M | R | | | 2 | | | | | | 9 | | | | SALEABLE | | N/A | N/A | |
| KEY A, BLACK, WITH CLIPSLOT, W/O CPA | 33472-1447 | A-BLK-CLIP | GC | PLR | | M | R | | 1 | 2 | 3 | 4 | | 6 | | | | 11 | 12 | SALEABLE | | N/A | N/A | |
| KEY B, LIGHT GRAY, WITH CLIPSLOT, W/O CPA | 33472-1448 | B-LG-CLIP | GC | PLR | | M | R | | 1 | 2 | 3 | 4 | 5 | | | 8 | 9 | 10 | 11 | 12 | SALEABLE | | N/A | N/A |
| KEY B, LIGHT GRAY, WITH CLIPSLOT, W/O CPA | 33472-1449 | B-LG-CLIP | GC | PLR | | M | R | | | | | | 5 | | | 8 | | | | SALEABLE | | N/A | N/A | |
| KEY B, LIGHT GRAY, WITH CLIPSLOT, W/O CPA | 33472-1450 | B-LG-CLIP | GC | PLR | | M | R | | | | | | 5 | | | 8 | 9 | 10 | 11 | 12 | SALEABLE | | N/A | N/A |
| KEY B, LIGHT GRAY, WITH CLIPSLOT, W/O CPA | 33472-1451 | B-LG-CLIP | GC | PLR | | M | R | | | | | | 5 | | | 8 | | 11 | 12 | SALEABLE | | N/A | N/A | |
| KEY A, BLACK, WITH CLIPSLOT, W/CPA | 33472-1452 | A-BLK-CLIP | GC | PLR | CPA | M | R | | | | | | | | | | | 11 | 12 | SALEABLE | | N/A | N/A | |
| KEY A, BLACK, WITH CLIPSLOT, W/O CPA | 33472-1453 | A-BLK-CLIP | GC | PLR | | M | R | | | 2 | | | | | 8 | | | | | SALEABLE | | N/A | N/A | |
| KEY A, BLACK, WITH CLIPSLOT, W/O CPA | 33472-1454 | A-BLK-CLIP | GC | PLR | | M | R | | | 2 | | | | | 8 | | | | | SALEABLE | | N/A | N/A | |
| KEY A, BLACK, WITH CLIPSLOT, W/O CPA | 33472-1455 | A-BLK-CLIP | GC | PLR | | M | R | | | 2 | | | | | 8 | | | | | SALEABLE | | N/A | N/A | |
| KEY A, BLACK, WITH CLIPSLOT, W/O CPA | 33472-1456 | A-BLK-CLIP | GC | PLR | | M | R | | | 2 | | | | | 8 | | | | | SALEABLE | | N/A | N/A | |
| KEY A, BLACK, WITH CLIPSLOT, W/O CPA | 33472-1457 | A-BLK-CLIP | GC | PLR | | M | R | | 1 | 2 | 3 | 4 | 5 | 6 | | 8 | | 10 | | SALEABLE | | N/A | N/A | |
| KEY A, BLACK, WITH CLIPSLOT, W/O CPA | 33472-1458 | A-BLK-CLIP | GC | PLR | | M | R | | 1 | | 3 | | 5 | 6 | | 8 | 9 | 10 | 11 | 12 | SALEABLE | | N/A | N/A |
| KEY A, BLACK, WITH CLIPSLOT, W/O CPA | 33472-1459 | A-BLK-CLIP | GC | PLR | | M | R | | | | 4 | 5 | 6 | 7 | 8 | 9 | 10 | 11 | 12 | SALEABLE | | N/A | N/A | |
| KEY A, BLACK, WITH CLIPSLOT, W/O CPA | 33472-1460 | A-BLK-CLIP | GC | PLR | | M | R | | | | 4 | 5 | 6 | 7 | 8 | 9 | 10 | 11 | 12 | SALEABLE | | N/A | N/A | |
| KEY A, BLACK, WITH CLIPSLOT, W/O CPA | 33472-1461 | A-BLK-CLIP | GC | PLR | | M | R | | 1 | 2 | 3 | 4 | 5 | 6 | | 8 | 9 | 10 | 11 | 12 | SALEABLE | | N/A | N/A |
| KEY A, BLACK, W/O CPA | 33472-1462 | A-BLK | GC | PLR | | M | R | | | | 4 | | | | | 9 | 10 | 11 | 12 | SALEABLE | | 34951-1210 | 34951-1220 | |
| KEY A, BLACK, W/O CPA | 33472-1463 | A-BLK | GC | PLR | | M | R | | | | | | | | | | | | 12 | SALEABLE | | 34951-1210 | 34951-1220 | |
| KEY A, BLACK, W/O CPA | 33472-1464 | A-BLK | GC | PLR | | M | R | | 1 | 2 | 3 | 4 | 5 | 6 | 7 | 8 | 9 | 10 | | SALEABLE | | 34951-1210 | 34951-1220 | |
| KEY A, BLACK, W/CPA | 33472-1465 | A-BLK | GC | PLR | CPA | M | R | | | | | 5 | | | | 9 | | 11 | 12 | SALEABLE | | 34951-1210 | 34951-1220 | |
| KEY A, BLACK, W/CPA | 33472-1466 | A-BLK | GC | PLR | CPA | M | R | | 1 | 2 | 3 | | | | | | | | | SALEABLE | | 34951-1210 | 34951-1220 | |
| KEY A, BLACK, W/CPA | 33472-1467 | A-BLK | GC | PLR | CPA | M | R | | 1 | 2 | | | | 6 | 7 | | | 11 | 12 | SALEABLE | | 34951-1210 | 34951-1220 | |
| KEY A, BLACK, W/CPA | 33472-1468 | A-BLK | GC | PLR | CPA | M | R | | | | | | | 6 | 7 | 8 | 9 | 10 | 11 | 12 | SALEABLE | | 34951-1210 | 34951-1220 |
| KEY A, BLACK, WITH CLIPSLOT, W/O CPA | 33472-1469 | A-BLK-CLIP | GC | PLR | | M | R | | | | | | 5 | 6 | 7 | 8 | 9 | 10 | | SALEABLE | | N/A | N/A | |
| KEY A, BLACK, WITH CLIPSLOT, W/O CPA | 33472-1470 | A-BLK-CLIP | GC | PLR | | M | R | | 1 | 2 | | 4 | 5 | 6 | 7 | | | | 12 | SALEABLE | | N/A | N/A | |
| KEY B, LIGHT GRAY, W/CPA | 33472-1471 | B-LG | GC | PLR | CPA | M | R | | | | | 5 | | | | | | | | SALEABLE | | 34951-1210 | 34951-1220 | |
| KEY A, BLACK, WITH CLIPSLOT, W/O CPA | 33472-1472 | A-BLK-CLIP | GC | PLR | | M | R | | | | | | | | 7 | 8 | | | 11 | SALEABLE | | N/A | N/A | |
| KEY A, BLACK, WITH CLIPSLOT, W/O CPA | 33472-1473 | A-BLK-CLIP | GC | PLR | | M | R | | 1 | 2 | 3 | 4 | | | 7 | 8 | 9 | 10 | 11 | SALEABLE | | N/A | N/A | |
| KEY A, BLACK, WITH CLIPSLOT, W/O CPA | 33472-1474 | A-BLK-CLIP | GC | PLR | | M | R | | | | | 5 | 6 | 7 | 8 | 9 | 10 | | 12 | SALEABLE | | N/A | N/A | |
| KEY A, BLACK, W/CPA | 33472-1475 | A-BLK | GC | PLR | CPA | M | R | | | 2 | 3 | 4 | | | 9 | | | | | SALEABLE | | 34951-1210 | 34951-1220 | |
| KEY A, BLACK, W/CPA | 33472-1476 | A-BLK | GC | PLR | CPA | M | R | | | 2 | 3 | 4 | | | 9 | | 10 | 11 | | SALEABLE | | 34951-1210 | 34951-1220 | |
| KEY A, BLACK, WITH CLIPSLOT, W/O CPA | 33472-1477 | A-BLK-CLIP | GC | PLR | | M | R | | | | | | 5 | | | | | | | SALEABLE | | N/A | N/A | |
| KEY A, BLACK, WITH CLIPSLOT, W/O CPA | 33472-1478 | A-BLK-CLIP | GC | PLR | | M | R | | | | 3 | 4 | | | 6 | | | | | SALEABLE | | N/A | N/A | |
| KEY A, BLACK, WITH CLIPSLOT, W/O CPA | 33472-1479 | A-BLK-CLIP | GC | PLR | | M | R | | | | | | | 6 | | | | | | SALEABLE | | N/A | N/A | |
| KEY A, BLACK, WITH CLIPSLOT, W/O CPA | 33472-1480 | A-BLK-CLIP | GC | PLR | | M | R | | 1 | 2 | | 4 | 5 | 6 | 7 | | 9 | 10 | 11 | 12 | SALEABLE | | N/A | N/A |
| KEY A, BLACK, WITH CLIPSLOT, W/O CPA | 33472-1481 | A-BLK-CLIP | GC | PLR | | M | R | | | | | | 5 | | | 8 | 9 | | | SALEABLE | | N/A | N/A | |
| KEY A, BLACK, WITH CLIPSLOT, W/O CPA | 33472-1482 | A-BLK-CLIP | GC | PLR | | M | R | | | | | | 5 | | | 7 | 8 | 9 | | SALEABLE | | N/A | N/A | |
| KEY A, BLACK, W/CPA | 33472-1483 | A-BLK | GC | PLR | CPA | M | R | | | | 4 | | | | | | | | | SALEABLE | | 34951-1210 | 34951-1220 | |
| KEY A, BLACK, W/O CPA | 33472-1484 | A-BLK | GC | PLR | | M | R | | | | | | | | 7 | 8 | 9 | 10 | 11 | 12 | SALEABLE | | 34951-1210 | 34951-1220 |
| KEY A, BLACK, W/O CPA | 33472-1485 | A-BLK | GC | PLR | | M | R | | | | | 4 | 5 | | | 9 | 10 | 11 | 12 | SALEABLE | | 34951-1210 | 34951-1220 | |
| KEY A, BLACK, W/CPA | 33472-1486 | A-BLK | GC | PLR | CPA | M | R | | 1 | | 3 | | | | 8 | | | | | SALEABLE | | 34951-1210 | 34951-1220 | |
| KEY A, BLACK, W/CPA | 33472-1487 | A-BLK | GC | PLR | CPA | M | R | | | 2 | | 4 | | | 6 | 7 | | 9 | | SALEABLE | | 34951-1210 | 34951-1220 | |
| KEY A, BLACK, WITH CLIPSLOT, W/O CPA | 33472-1488 | A-BLK-CLIP | GC | PLR | | M | R | | | | | | | 6 | 7 | 8 | 9 | 10 | 11 | 12 | SALEABLE | | N/A | N/A |
| KEY A, BLACK, WITH CLIPSLOT, W/O CPA | 33472-1489 | A-BLK-CLIP | GC | PLR | | M | R | | | | 3 | | | | 7 | 8 | 9 | | | SALEABLE | | N/A | N/A | |
| KEY A, BLACK, WITH CLIPSLOT, W/O CPA | 33472-1490 | A-BLK-CLIP | GC | PLR | | M | R | | | | 3 | | | | 6 | | 9 | 10 | 11 | 12 | SALEABLE | | N/A | N/A |
| KEY A, BLACK, WITH CLIPSLOT, W/O CPA | 33472-1491 | A-BLK-CLIP | GC | PLR | | M | R | | | | | | | 6 | 7 | 8 | | 10 | 11 | 12 | SALEABLE | | N/A | N/A |
| KEY A, BLACK, WITH CLIPSLOT, W/O CPA | 33472-1492 | A-BLK-CLIP | GC | PLR | | M | R | | | | | | | 6 | | | | 10 | 11 | 12 | SALEABLE | | N/A | N/A |

| ASSEMBLY DESCRIPTION | ASSEMBLY PART NUMBER | COMPONENT | | | | | | BLOCKED TERMINALS | | | | | | | | | | | | STATUS | COMMENTS | OPTIONAL ATTACHMENTS SOLD SEPARATELY | | | | |
|---|----------------------|---|-------------|-----|-----|----------|-----------|--|---|---|---|----|---|---|---|----|----|----|----|--------|----------|--------------------------------------|------------------------|--------------------|------------|------------|
| | | THE PRESENCE OF AN ABBREVIATION INDICATES THE PRESENCE OF THAT COMPONENT. | | | | | | CAVITY WITH A NUMBER INDICATES BLOCKED TERMINAL POSITION CAVITY WITHOUT A NUMBER INDICATES OPEN TERMINAL POSITION | | | | | | | | | | | | | | BACKSHELL WITH RIBS | BACKSHELL WITHOUT RIBS | | | |
| | | HOUSING KEY/COLOR | GROMMET CAP | PLR | CPA | MAT SEAL | RING SEAL | 1 | 2 | 3 | 4 | 5 | 6 | 7 | 8 | 9 | 10 | 11 | 12 | | | | | | | |
| KEY A, BLACK, WITH CLIPSLOT, W/O CPA | 33472-1503 | A-BLK-CLIP | GC | PLR | | M | R | | | | | | | | | | | | | | | | SALEABLE | | N/A | N/A |
| KEY A, BLACK, WITH CLIPSLOT, W/O CPA | 33472-1504 | A-BLK-CLIP | GC | PLR | | M | R | 1 | 2 | 3 | 4 | | | | | | | | | | | | SALEABLE | | N/A | N/A |
| KEY A, BLACK, WITH CLIPSLOT, W/O CPA | 33472-1505 | A-BLK-CLIP | GC | PLR | | M | R | | | 3 | 4 | | | | | | | | | | | | SALEABLE | | N/A | N/A |
| KEY B, LIGHT GRAY, WITH CLIPSLOT, W/O CPA | 33472-1506 | B-LG-CLIP | GC | PLR | | M | R | 1 | | | | | | 7 | | | | | | | | | SALEABLE | | N/A | N/A |
| KEY B, LIGHT GRAY, WITH CLIPSLOT, W/O CPA | 33472-1507 | B-LG-CLIP | GC | PLR | | M | R | | | | | | 7 | | | | | | | | | | SALEABLE | | N/A | N/A |
| KEY A, BLACK, WITH CLIPSLOT, W/O CPA | 33472-1508 | A-BLK-CLIP | GC | PLR | | M | R | 1 | | | | | | 6 | 7 | 8 | 9 | | | | | | SALEABLE | | N/A | N/A |
| KEY A, BLACK, WITH CLIPSLOT, W/O CPA | 33472-1509 | A-BLK-CLIP | GC | PLR | | M | R | | | | | 4 | | 6 | 8 | | | | | | | | SALEABLE | | N/A | N/A |
| KEY A, BLACK, WITH CLIPSLOT, W/O CPA | 33472-1510 | A-BLK-CLIP | GC | PLR | | M | R | | 2 | | | 4 | | | 8 | 9 | 10 | | | | | | SALEABLE | | N/A | N/A |
| KEY A, BLACK, WITH CLIPSLOT, W/O CPA | 33472-1511 | A-BLK-CLIP | GC | PLR | | M | R | | | | | | | | 9 | 10 | | | | | | | SALEABLE | | N/A | N/A |
| KEY A, BLACK, WITH CLIPSLOT, W/O CPA | 33472-1512 | A-BLK-CLIP | GC | PLR | | M | R | | | 2 | 3 | 4 | | | 8 | 9 | | | | | | | SALEABLE | | N/A | N/A |
| KEY A, BLACK, WITH CLIPSLOT, W/O CPA | 33472-1513 | A-BLK-CLIP | GC | PLR | | M | R | | | | | | | | | 10 | 11 | | | | | | SALEABLE | | N/A | N/A |
| KEY A, BLACK, WITH CLIPSLOT, W/O CPA | 33472-1514 | A-BLK-CLIP | GC | PLR | | M | R | | | | | 4 | 5 | | 7 | | | | | | | | SALEABLE | | N/A | N/A |
| KEY A, BLACK, WITH CLIPSLOT, W/O CPA | 33472-1515 | A-BLK-CLIP | GC | PLR | | M | R | 1 | 2 | 3 | 4 | | | | 7 | 8 | 9 | 10 | 11 | | | | SALEABLE | | N/A | N/A |
| KEY A, BLACK, WITH CLIPSLOT, W/O CPA | 33472-1516 | A-BLK-CLIP | GC | PLR | | M | R | | | | | 4 | | 6 | 8 | | | | 10 | 11 | | | SALEABLE | | N/A | N/A |
| KEY A, BLACK, WITH CLIPSLOT, W/O CPA | 33472-1517 | A-BLK-CLIP | GC | PLR | | M | R | 1 | 2 | 3 | 4 | 5 | 6 | | 8 | 9 | | | | | | | SALEABLE | | N/A | N/A |
| KEY A, BLACK, WITH CLIPSLOT, W/O CPA | 33472-1518 | A-BLK-CLIP | GC | PLR | | M | R | | 2 | | | | | | | | | | | | | | SALEABLE | | N/A | N/A |
| KEY A, BLACK, WITH CLIPSLOT, W/O CPA | 33472-1519 | A-BLK-CLIP | GC | PLR | | M | R | 1 | | | 3 | 4 | | | | | | | | | 11 | 12 | SALEABLE | | N/A | N/A |
| KEY A, BLACK, WITH CLIPSLOT, W/O CPA | 33472-1520 | A-BLK-CLIP | GC | PLR | | M | R | 1 | | | 3 | 4 | | | | | | | | | 11 | 12 | SALEABLE | | N/A | N/A |
| KEY A, BLACK, WITH CLIPSLOT, W/O CPA | 33472-1521 | A-BLK-CLIP | GC | PLR | | M | R | | | 2 | | | | | 8 | 9 | 10 | | | | | | SALEABLE | | N/A | N/A |
| KEY A, BLACK, WITH CLIPSLOT, W/O CPA | 33472-1522 | A-BLK-CLIP | GC | PLR | | M | R | | | | | | | | 7 | 8 | 9 | 10 | | | | | SALEABLE | | N/A | N/A |
| KEY A, BLACK, WITH CLIPSLOT, W/O CPA | 33472-1523 | A-BLK-CLIP | GC | PLR | | M | R | | | | | | | | 7 | 8 | 9 | 10 | | | | | SALEABLE | | N/A | N/A |
| KEY A, BLACK, W/O CPA | 33472-1524 | A-BLK | GC | PLR | | M | R | | 2 | 3 | | | 5 | 6 | 7 | | | | | | | | SALEABLE | | 34951-1210 | 34951-1220 |
| KEY A, BLACK, W/O CPA | 33472-1525 | A-BLK | GC | PLR | | M | R | 1 | 2 | 3 | 4 | | | | 8 | 9 | | | | | | | SALEABLE | | 34951-1210 | 34951-1220 |
| KEY A, BLACK, W/O CPA | 33472-1526 | A-BLK | GC | PLR | | M | R | | 2 | 3 | | | | | 9 | | | | | | | | SALEABLE | | 34951-1210 | 34951-1220 |
| KEY A, BLACK, W/O CPA | 33472-1527 | A-BLK | GC | PLR | | M | R | | | | | | | | 8 | | | | | | | | SALEABLE | | 34951-1210 | 34951-1220 |
| KEY A, BLACK, WITH CLIPSLOT, W/O CPA | 33472-1528 | A-BLK-CLIP | GC | PLR | | M | R | 1 | | | 3 | | | 5 | | | | | | | | | SALEABLE | | N/A | N/A |
| KEY A, BLACK, W/O CPA | 33472-1529 | A-BLK | GC | PLR | | M | R | 1 | | | 3 | | | 5 | | | | | | | | | SALEABLE | | 34951-1210 | 34951-1220 |
| KEY A, BLACK, WITH CLIPSLOT, W/O CPA | 33472-1530 | A-BLK-CLIP | GC | PLR | | M | R | | 2 | | | | | | 7 | 8 | | | | | | | SALEABLE | | N/A | N/A |
| KEY A, BLACK, WITH CLIPSLOT, W/O CPA | 33472-1531 | A-BLK-CLIP | GC | PLR | | M | R | 1 | | | | 4 | | | 7 | | | | | | | | SALEABLE | | N/A | N/A |
| KEY A, BLACK, WITH CLIPSLOT, W/O CPA | 33472-1532 | A-BLK-CLIP | GC | PLR | | M | R | | 2 | 3 | | | | 5 | 6 | | | | | | | | SALEABLE | | N/A | N/A |
| KEY A, BLACK, WITH CLIPSLOT, W/O CPA | 33472-1533 | A-BLK-CLIP | GC | PLR | | M | R | 1 | 2 | 3 | 4 | | | | 8 | 9 | | | | | | | SALEABLE | | N/A | N/A |
| KEY A, BLACK, WITH CLIPSLOT, W/O CPA | 33472-1534 | A-BLK-CLIP | GC | PLR | | M | R | | | 2 | 3 | | | | | 9 | | | | | | | SALEABLE | | N/A | N/A |
| KEY A, BLACK, WITH CLIPSLOT, W/O CPA | 33472-1535 | A-BLK-CLIP | GC | PLR | | M | R | | | | | | | | 8 | | | | | | | | SALEABLE | | N/A | N/A |
| KEY A, BLACK, WITH CLIPSLOT, W/O CPA | 33472-1536 | A-BLK-CLIP | GC | PLR | | M | R | 1 | | | 3 | | | | 8 | | | | | | | | SALEABLE | | N/A | N/A |
| KEY A, BLACK, W/O CPA | 33472-1537 | A-BLK | GC | PLR | | M | R | 1 | | | | | | 6 | 7 | 8 | 9 | 10 | | | | | SALEABLE | | 34951-1210 | 34951-1220 |
| KEY A, BLACK, WITH CLIPSLOT, W/O CPA | 33472-1538 | A-BLK-CLIP | GC | PLR | | M | R | | | | | | | | 7 | 8 | 9 | 10 | | | | | SALEABLE | | N/A | N/A |
| KEY B, LIGHT GRAY, W/O CPA | 33472-1539 | B-LG | GC | PLR | | M | R | | | | | | | | 7 | 8 | 9 | | | | | | SALEABLE | | 34951-1210 | 34951-1220 |
| KEY A, BLACK, WITH CLIPSLOT, W/O CPA | 33472-1540 | A-BLK-CLIP | GC | PLR | | M | R | 1 | | | | | | 6 | 7 | 8 | 9 | 10 | | | | | SALEABLE | | N/A | N/A |
| KEY A, BLACK, WITH CLIPSLOT, W/O CPA | 33472-1541 | A-BLK-CLIP | GC | PLR | | M | R | 1 | | | | 4 | | | 7 | 8 | 9 | 10 | 11 | | | | SALEABLE | | N/A | N/A |
| KEY A, BLACK, WITH CLIPSLOT, W/O CPA | 33472-1542 | A-BLK-CLIP | GC | PLR | | M | R | 1 | 2 | 3 | | | | 5 | 6 | 7 | 8 | 9 | 10 | | | | SALEABLE | | N/A | N/A |
| KEY A, BLACK, WITH CLIPSLOT, W/O CPA | 33472-1543 | A-BLK-CLIP | GC | PLR | | M | R | | | 2 | | | | 6 | 7 | 8 | 9 | 10 | 11 | 12 | | | SALEABLE | | N/A | N/A |
| KEY A, BLACK, WITH CLIPSLOT, W/O CPA | 33472-1544 | A-BLK-CLIP | GC | PLR | | M | R | | | | 3 | 4 | | | | 9 | 10 | 11 | 12 | | | | SALEABLE | | N/A | N/A |
| KEY A, BLACK, WITH CLIPSLOT, W/O CPA | 33472-1545 | A-BLK-CLIP | GC | PLR | | M | R | | | | 3 | 4 | | | | | | | | | | | SALEABLE | | N/A | N/A |
| KEY A, BLACK, WITH CLIPSLOT, W/O CPA | 33472-1546 | A-BLK-CLIP | GC | PLR | | M | R | 1 | 2 | | | | | 5 | 6 | 7 | 8 | 9 | 10 | | | | SALEABLE | | N/A | N/A |
| KEY A, BLACK, WITH CLIPSLOT, W/O CPA | 33472-1547 | A-BLK-CLIP | GC | PLR | | M | R | | | | | | | | | 9 | 10 | | | | | | SALEABLE | | N/A | N/A |
| KEY A, BLACK, W/CPA | 33472-1548 | A-BLK | GC | PLR | CPA | M | R | | | | | | | 5 | | | | | | | | | SALEABLE | | 34951-1210 | 34951-1220 |
| KEY A, BLACK, W/CPA | 33472-1549 | A-BLK | GC | PLR | CPA | M | R | | | | | | | | 6 | | | | | | | | SALEABLE | | 34951-1210 | 34951-1220 |
| KEY A, BLACK, WITH CLIPSLOT, W/O CPA | 33472-1550 | A-BLK-CLIP | GC | PLR | | M | R | | | | | | | | | | | 10 | 11 | 12 | | | SALEABLE | | N/A | N/A |
| KEY A, BLACK, WITH CLIPSLOT, W/O CPA | 33472-1551 | A-BLK-CLIP | GC | PLR | | M | R | | | | | | | | | 9 | | | | | | | SALEABLE | | N/A | N/A |
| KEY A, BLACK, WITH CLIPSLOT, W/O CPA | 33472-1552 | A-BLK-CLIP | GC | PLR | | M | R | | | 2 | | | | | 8 | 9 | 10 | 11 | 12 | | | | SALEABLE | | N/A | N/A |
| KEY A, BLACK, WITH CLIPSLOT, W/O CPA | 33472-1553 | A-BLK-CLIP | GC | PLR | | M | R | | | 2 | | | | | 8 | 9 | | | | | | | SALEABLE | | N/A | N/A |
| KEY A, BLACK, W/O CPA | 33472-1554 | A-BLK | GC | PLR | | M | R | | | | | | | | 7 | 8 | 9 | 10 | 11 | 12 | | | SALEABLE | SEE P/N 33472-1484 | 34951-1210 | 34951-1220 |
| KEY A, BLACK, W/CPA | 33472-1555 | A-BLK | GC | PLR | CPA | M | R | | | | | | | | 7 | 8 | 9 | 10 | 11 | 12 | | | SALEABLE | | 34951-1210 | 34951-1220 |
| KEY A, BLACK, WITH CLIPSLOT, W/O CPA | 33472-1556 | A-BLK-CLIP | GC | PLR | | M | R | | | | | | | 5 | | | | | | | | | SALEABLE | | N/A | N/A |
| KEY A, BLACK, WITH CLIPSLOT, W/O CPA | 33472-1557 | A-BLK-CLIP | GC | PLR | | M | R | 1 | | | | 4 | 5 | | | 8 | | | | | | | SALEABLE | | N/A | N/A |
| KEY A, BLACK, WITH CLIPSLOT, W/O CPA | 33472-1558 | A-BLK-CLIP | GC | PLR | | M | R | 1 | 2 | 3 | 4 | | | | | 9 | 10 | 11 | 12 | | | | SALEABLE | | N/A | N/A |
| KEY A, BLACK, WITH CLIPSLOT, W/CPA | 33472-1559 | A-BLK-CLIP | GC | PLR | CPA | M | R | 1 | 2 | 3 | 4 | 5 | 6 | 7 | 8 | | | | | | | | SALEABLE | | N/A | N/A |
| KEY A, BLACK, WITH CLIPSLOT, W/O CPA | 33472-1560 | A-BLK-CLIP | GC | PLR | | M | R | | | 2 | | | | | | | | 10 | 11 | 12 | | | SALEABLE | | N/A | N/A |
| KEY A, BLACK, WITH CLIPSLOT, W/O CPA | 33472-1561 | A-BLK-CLIP | GC | PLR | | M | R | | | | | | | | | | | | | | | | SALEABLE | | N/A | N/A |
| KEY A, BLACK, W/O CPA | 33472-1562 | A-BLK | GC | PLR | | M | R | 1 | | | | | | 5 | 6 | 7 | 8 | | | | | | SALEABLE | | 34951-1210 | 34951-1220 |
| KEY A, BLACK, W/O CPA | 33472-1563 | A-BLK | GC | PLR | | M | R | 1 | 2 | 3 | | | | 5 | 6 | 7 | 8 | | | | | | SALEABLE | | 34951-1210 | 34951-1220 |
| KEY A, BLACK, WITH CLIPSLOT, W/O CPA | 33472-1564 | A-BLK-CLIP | GC | PLR | | M | R | | | | | | | | 7 | 8 | 9 | | | | | | SALEABLE | | N/A | N/A |
| KEY B, LIGHT GRAY, WITH CLIPSLOT, W/O CPA | 33472-1565 | B-LG-CLIP | GC | PLR | | M | R | | | | | | | 5 | | | | | | | | | SALEABLE | | N/A | N/A |
| KEY B, LIGHT GRAY, WITH CLIPSLOT, W/O CPA | 33472-1566 | B-LG-CLIP | GC | PLR | | M | R | | | | | | | | | 8 | | | | | | | SALEABLE | | N/A | N/A |
| KEY A, BLACK, WITH CLIPSLOT, W/O CPA | 33472-1567 | A-BLK-CLIP | GC | PLR | | M | R | | | | | 4 | 5 | | 7 | 8 | 9 | 10 | 11 | 12 | | | SALEABLE | | N/A | N/A |
| KEY A, BLACK, W/CPA | 33472-1568 | A-BLK | GC | PLR | CPA | M | R | | | | | | | | | | | | | | | | SALEABLE | | 34951-1210 | 34951-1220 |
| KEY A, BLACK, W/CPA | 33472-1569 | A-BLK | GC | PLR | CPA | M | R | 1 | 2 | 3 | 4 | | | | 6 | | | | | | | | SALEABLE | | 34951-1210 | 34951-1220 |
| KEY A, BLACK, W/CPA | 33472-1570 | A-BLK | GC | PLR | CPA | M | R | 1 | 2 | 3 | | | | 6 | | | | | | | | | SALEABLE | | 34951-1210 | 34951-1220 |
| KEY A, BLACK, WITH CLIPSLOT, W/O CPA | 33472-1571 | A-BLK-CLIP | GC | PLR | | M | R | | | | | 4 | 5 | | 7 | 8 | | | | | | | SALEABLE | | N/A | N/A |
| KEY A, BLACK, W/O CPA | 33472-1572 | A-BLK | GC | PLR | | M | R | | | 2 | 3 | </ | | | | | | | | | | | | | | |



**MX150 RECEPTACLE 2X6 SEALED ASSEMBLY MAT SEAL
BOM AND PIN OUT SHEET**

| ASSEMBLY DESCRIPTION | ASSEMBLY PART NUMBER | COMPONENT | | | | | | BLOCKED TERMINALS | | | | | | | | | | | | STATUS | COMMENTS | OPTIONAL ATTACHMENTS SOLD SEPERATELY | | | |
|---|----------------------|---|-------------|-----|-----|----------|-----------|--|---|---|---|---|---|---|---|---|----|----|----|--------|----------|--------------------------------------|------------------------|------------|------------|
| | | THE PRESENCE OF AN ABBREVIATION INDICATES THE PRESENCE OF THAT COMPONENT. | | | | | | CAVITY WITH A NUMBER INDICATES BLOCKED TERMINAL POSITION CAVITY WITHOUT A NUMBER INDICATES OPEN TERMINAL POSITION | | | | | | | | | | | | | | BACKSHELL WITH RIBS | BACKSHELL WITHOUT RIBS | | |
| | | HOUSING KEY/COLOR | GROMMET CAP | PLR | CPA | MAT SEAL | RING SEAL | 1 | 2 | 3 | 4 | 5 | 6 | 7 | 8 | 9 | 10 | 11 | 12 | | | | | | |
| KEY A, BLACK, WITH CLIPSLOT, W/O CPA | 33472-1584 | A-BLK-CLIP | GC | PLR | | M | R | 1 | 2 | | | | 5 | | 7 | 8 | 9 | 10 | 11 | 12 | SALEABLE | | N/A | N/A | |
| KEY A, BLACK, WITH CLIPSLOT, W/O CPA | 33472-1585 | A-BLK-CLIP | GC | PLR | | M | R | | | | | | 5 | | 7 | 8 | 9 | | 11 | 12 | SALEABLE | | N/A | N/A | |
| KEY A, BLACK, WITH CLIPSLOT, W/O CPA | 33472-1586 | A-BLK-CLIP | GC | PLR | | M | R | 1 | 2 | | | | 5 | | | | | 10 | | 12 | SALEABLE | | N/A | N/A | |
| KEY C, DARK GRAY, WITH CLIPSLOT, W/O CPA | 33472-1587 | C-DG-CLIP | GC | PLR | | M | R | 1 | 2 | | | | 5 | 6 | 7 | | | | | | SALEABLE | | N/A | N/A | |
| KEY C, DARK GRAY, WITH CLIPSLOT, W/O CPA | 33472-1588 | C-DG-CLIP | GC | PLR | | M | R | 1 | 2 | 3 | 4 | 5 | 6 | 7 | | | | | | | SALEABLE | | N/A | N/A | |
| KEY A, BLACK, WITH CLIPSLOT, W/O CPA | 33472-1589 | A-BLK-CLIP | GC | PLR | | M | R | 1 | 2 | 3 | | | | | 7 | 8 | 9 | 10 | | | SALEABLE | | N/A | N/A | |
| KEY A, BLACK, WITH CLIPSLOT, W/O CPA | 33472-1590 | A-BLK-CLIP | GC | PLR | | M | R | 1 | 2 | 3 | 4 | 5 | 6 | 7 | 8 | | | | 11 | 12 | SALEABLE | | N/A | N/A | |
| KEY A, BLACK, WITH CLIPSLOT, W/O CPA | 33472-1591 | A-BLK-CLIP | GC | PLR | | M | R | | | | 4 | 5 | 6 | 7 | | | | | 11 | 12 | SALEABLE | | N/A | N/A | |
| KEY A, BLACK, WITH CLIPSLOT, W/O CPA | 33472-1592 | A-BLK-CLIP | GC | PLR | | M | R | | | | | 5 | 6 | | | | 9 | 10 | 11 | | SALEABLE | | N/A | N/A | |
| KEY A, BLACK, WITH CLIPSLOT, W/O CPA | 33472-1593 | A-BLK-CLIP | GC | PLR | | M | R | | | | | 5 | 6 | | | | | | | | SALEABLE | | N/A | N/A | |
| KEY B, LIGHT GRAY, W/CPA | 33472-1594 | B-LG | GC | PLR | CPA | M | R | 1 | | | | | 6 | | | | | 10 | | 12 | SALEABLE | | N/A | N/A | |
| KEY A, BLACK, WITH CLIPSLOT, W/O CPA | 33472-1595 | A-BLK-CLIP | GC | PLR | | M | R | | | | | | | | 7 | | 9 | | | 12 | SALEABLE | | N/A | N/A | |
| KEY A, BLACK, WITH CLIPSLOT, W/O CPA | 33472-1596 | A-BLK-CLIP | GC | PLR | | M | R | | | | | 5 | | | | 9 | 10 | 11 | | | SALEABLE | | N/A | N/A | |
| KEY A, BLACK, WITH CLIPSLOT, W/O CPA | 33472-1597 | A-BLK-CLIP | GC | PLR | | M | R | | | | | 5 | | 7 | | 9 | 10 | 11 | 12 | | SALEABLE | | N/A | N/A | |
| KEY A, BLACK, WITH CLIPSLOT, W/O CPA | 33472-1598 | A-BLK-CLIP | GC | PLR | | M | R | 1 | 2 | 3 | 4 | 5 | 6 | 7 | 8 | 9 | | | | 12 | SALEABLE | | N/A | N/A | |
| KEY A, BLACK, WITH CLIPSLOT, W/O CPA | 33472-1599 | A-BLK-CLIP | GC | PLR | | M | R | 1 | 2 | 3 | 4 | 5 | 6 | 7 | 8 | 9 | 10 | 11 | | | SALEABLE | | N/A | N/A | |
| KEY A, BLACK, WITH CLIPSLOT, W/O CPA | 33472-6001 | A-BLK-CLIP | GC | PLR | | M | R | 1 | 2 | 3 | | | | | 7 | 8 | | | | | SALEABLE | | N/A | N/A | |
| KEY A, BLACK, WITH CLIPSLOT, W/O CPA | 33472-6002 | A-BLK-CLIP | GC | PLR | | M | R | | | | | | | 7 | 8 | 9 | 10 | 11 | 12 | | SALEABLE | | N/A | N/A | |
| KEY A, BLACK, WITH CLIPSLOT, W/O CPA | 33472-6003 | A-BLK-CLIP | GC | PLR | | M | R | | | | 4 | 5 | | | | 9 | 10 | 11 | 12 | | SALEABLE | | N/A | N/A | |
| KEY A, BLACK, WITH CLIPSLOT, W/O CPA | 33472-6004 | A-BLK-CLIP | GC | PLR | | M | R | | 2 | | | 5 | | | 8 | 9 | 10 | 11 | | | SALEABLE | | N/A | N/A | |
| KEY A, BLACK, WITH CLIPSLOT, W/O CPA | 33472-6005 | A-BLK-CLIP | GC | PLR | | M | R | 1 | 2 | 3 | 4 | 5 | 6 | 7 | 8 | 9 | 10 | | | | SALEABLE | | N/A | N/A | |
| KEY B, LIGHT GRAY, WITH CLIPSLOT, W/O CPA | 33472-6006 | B-LG-CLIP | GC | PLR | | M | R | | | | | | | 7 | 8 | 9 | | | | 12 | SALEABLE | | N/A | N/A | |
| KEY A, BLACK, WITH CLIPSLOT, W/O CPA | 33472-6007 | A-BLK-CLIP | GC | PLR | | M | R | | | | | | | | 7 | | | | 11 | 12 | SALEABLE | | N/A | N/A | |
| KEY A, BLACK, WITH CLIPSLOT, W/O CPA | 33472-6008 | A-BLK-CLIP | GC | PLR | | M | R | 1 | | 3 | 4 | 5 | 6 | 7 | 8 | 9 | 10 | 11 | | | SALEABLE | | N/A | N/A | |
| KEY A, BLACK, WITH CLIPSLOT, W/O CPA | 33472-6009 | A-BLK-CLIP | GC | PLR | | M | R | 1 | | 3 | | | | 5 | 6 | 7 | 8 | 9 | 10 | | SALEABLE | | N/A | N/A | |
| KEY A, BLACK, WITH CLIPSLOT, W/O CPA | 33472-6010 | A-BLK-CLIP | GC | PLR | | M | R | 1 | 2 | 3 | 4 | | | | | | | | 11 | 12 | SALEABLE | | N/A | N/A | |
| KEY B, LIGHT GRAY, WITH CLIPSLOT, W/O CPA | 33472-6011 | B-LG-CLIP | GC | PLR | | M | R | 1 | | | | | | | | | | | 11 | | SALEABLE | | N/A | N/A | |
| KEY B, LIGHT GRAY, WITH CLIPSLOT, W/O CPA | 33472-6012 | B-LG-CLIP | GC | PLR | | M | R | | | | | | | | | | | | 11 | | SALEABLE | | N/A | N/A | |
| KEY A, BLACK, W/CPA | 33472-6013 | A-BLK | GC | PLR | CPA | M | R | | | | | | 6 | | 8 | 9 | 10 | 11 | 12 | | SALEABLE | | 34951-1210 | 34951-1220 | |
| KEY B, LIGHT GRAY, W/CPA | 33472-6014 | B-LG | GC | PLR | CPA | M | R | | | | | | 6 | | 8 | 9 | 10 | 11 | 12 | | SALEABLE | | 34951-1210 | 34951-1220 | |
| KEY A, BLACK, WITH CLIPSLOT, W/O CPA | 33472-6015 | A-BLK-CLIP | GC | PLR | | M | R | 1 | 2 | 3 | 4 | | | | 8 | 9 | 10 | 11 | 12 | | SALEABLE | | N/A | N/A | |
| KEY A, BLACK, WITH CLIPSLOT, W/CPA | 33472-6016 | A-BLK-CLIP | GC | PLR | CPA | M | R | | | 2 | 3 | | | | 7 | | 9 | 10 | 11 | 12 | SALEABLE | | N/A | N/A | |
| KEY A, BLACK, WITH CLIPSLOT, W/CPA | 33472-6017 | A-BLK-CLIP | GC | PLR | CPA | M | R | | | 2 | 3 | | | | | | | | | | SALEABLE | | N/A | N/A | |
| KEY A, BLACK, WITH CLIPSLOT, W/CPA | 33472-6018 | A-BLK-CLIP | GC | PLR | CPA | M | R | | | 2 | | | | | 7 | | 9 | 10 | 11 | 12 | SALEABLE | | N/A | N/A | |
| KEY A, BLACK, WITH CLIPSLOT, W/CPA | 33472-6019 | A-BLK-CLIP | GC | PLR | CPA | M | R | | | 2 | | | | | | | | | | | SALEABLE | | N/A | N/A | |
| KEY A, BLACK, W/CPA | 33472-6020 | A-BLK | GC | PLR | CPA | M | R | | | | 4 | 5 | 6 | 7 | 8 | 9 | 10 | 11 | | | SALEABLE | | 34951-1210 | 34951-1220 | |
| KEY A, BLACK, W/O CPA | 33472-6021 | A-BLK | GC | PLR | | M | R | | | | | | | 7 | 8 | 9 | 10 | 11 | | | SALEABLE | | 34951-1210 | 34951-1220 | |
| KEY A, BLACK, W/O CPA | 33472-6022 | A-BLK | GC | PLR | | M | R | | | | | | | 7 | 8 | | | | | | SALEABLE | | 34951-1210 | 34951-1220 | |
| KEY A, BLACK, W/O CPA | 33472-6023 | A-BLK | GC | PLR | | M | R | | | 2 | | | | | | 9 | 10 | | | | SALEABLE | | 34951-1210 | 34951-1220 | |
| KEY A, BLACK, W/O CPA | 33472-6024 | A-BLK | GC | PLR | | M | R | | | 2 | 4 | | | | | | | | | | SALEABLE | | 34951-1210 | 34951-1220 | |
| KEY A, BLACK, W/O CPA | 33472-6025 | A-BLK | GC | PLR | | M | R | | | 2 | 3 | | | | | 8 | | | 11 | | SALEABLE | | 34951-1210 | 34951-1220 | |
| KEY A, BLACK, W/O CPA | 33472-6026 | A-BLK | GC | PLR | | M | R | | | 2 | 3 | | 5 | 6 | 7 | 8 | | | 11 | | SALEABLE | | 34951-1210 | 34951-1220 | |
| KEY A, BLACK, W/O CPA | 33472-6027 | A-BLK | GC | PLR | | M | R | 1 | | | | 5 | 6 | 7 | 8 | | | | | | SALEABLE | | 34951-1210 | 34951-1220 | |
| KEY A, BLACK, W/O CPA | 33472-6028 | A-BLK | GC | PLR | | M | R | | | 2 | 3 | | | 6 | 7 | 8 | | 10 | 11 | | SALEABLE | | 34951-1210 | 34951-1220 | |
| KEY A, BLACK, W/O CPA | 33472-6029 | A-BLK | GC | PLR | | M | R | | | | | | | | | | | | 11 | | SALEABLE | | 34951-1210 | 34951-1220 | |
| KEY A, BLACK, W/O CPA | 33472-6030 | A-BLK | GC | PLR | | M | R | | | 2 | 3 | 4 | | | 7 | 8 | | | | | SALEABLE | | 34951-1210 | 34951-1220 | |
| KEY A, BLACK, W/O CPA | 33472-6031 | A-BLK | GC | PLR | | M | R | 1 | | | 3 | 4 | 5 | 6 | 7 | 8 | | | | | SALEABLE | | 34951-1210 | 34951-1220 | |
| KEY A, BLACK, W/O CPA | 33472-6032 | A-BLK | GC | PLR | | M | R | | | | 4 | 5 | 6 | 7 | 8 | 9 | | | | | SALEABLE | | 34951-1210 | 34951-1220 | |
| KEY A, BLACK, W/O CPA | 33472-6033 | A-BLK | GC | PLR | | M | R | | | | | | 6 | 7 | 8 | | | | | | SALEABLE | | 34951-1210 | 34951-1220 | |
| KEY A, BLACK, W/O CPA | 33472-6034 | A-BLK | GC | PLR | | M | R | | | 2 | | 4 | 5 | | 8 | | | 10 | 11 | | SALEABLE | | 34951-1210 | 34951-1220 | |
| KEY A, BLACK, W/O CPA | 33472-6035 | A-BLK | GC | PLR | | M | R | | | | 3 | 4 | | | | 9 | 10 | | | | SALEABLE | | 34951-1210 | 34951-1220 | |
| KEY A, BLACK, W/O CPA | 33472-6036 | A-BLK | GC | PLR | | M | R | | | | | | | | 7 | | | | | | SALEABLE | | 34951-1210 | 34951-1220 | |
| KEY A, BLACK, W/O CPA | 33472-6037 | A-BLK | GC | PLR | | M | R | | | 2 | 3 | 4 | 5 | | | | | 10 | 11 | 12 | SALEABLE | | 34951-1210 | 34951-1220 | |
| KEY A, BLACK, W/O CPA | 33472-6038 | A-BLK | GC | PLR | | M | R | 1 | | | | | | 6 | 7 | | 9 | | | | SALEABLE | | 34951-1210 | 34951-1220 | |
| KEY A, BLACK, W/O CPA | 33472-6039 | A-BLK | GC | PLR | | M | R | | | 2 | 3 | 4 | 5 | 6 | 7 | 8 | | | 10 | 11 | 12 | SALEABLE | | 34951-1210 | 34951-1220 |
| KEY A, BLACK, W/O CPA | 33472-6040 | A-BLK | GC | PLR | | M | R | | | 2 | 3 | | | | | | | | 11 | | SALEABLE | | 34951-1210 | 34951-1220 | |
| KEY A, BLACK, W/O CPA | 33472-6041 | A-BLK | GC | PLR | | M | R | 1 | 2 | 3 | 4 | 5 | | | | | 9 | 10 | 11 | 12 | SALEABLE | | 34951-1210 | 34951-1220 | |
| KEY A, BLACK, W/O CPA | 33472-6042 | A-BLK | GC | PLR | | M | R | | | 2 | 3 | | | | | | 9 | 10 | 11 | | SALEABLE | | 34951-1210 | 34951-1220 | |
| KEY A, BLACK, W/O CPA | 33472-6043 | A-BLK | GC | PLR | | M | R | 1 | 2 | 3 | 4 | 5 | | | 8 | 9 | 10 | 11 | 12 | | SALEABLE | | 34951-1210 | 34951-1220 | |
| KEY A, BLACK, W/O CPA | 33472-6044 | A-BLK | GC | PLR | | M | R | 1 | 2 | 3 | 4 | 5 | | | | | | | 12 | | SALEABLE | | 34951-1210 | 34951-1220 | |
| KEY A, BLACK, W/O CPA | 33472-6045 | A-BLK | GC | PLR | | M | R | | | | 3 | 4 | 5 | | | | | | | | SALEABLE | | 34951-1210 | 34951-1220 | |
| KEY A, BLACK, W/O CPA | 33472-6046 | A-BLK | GC | PLR | | M | R | | | | 3 | 4 | 5 | 6 | 7 | 8 | 9 | 10 | 11 | | SALEABLE | | 34951-1210 | 34951-1220 | |
| KEY A, BLACK, W/O CPA | 33472-6047 | A-BLK | GC | PLR | | M | R | | | 2 | 3 | | | | 8 | 9 | 10 | 11 | 12 | | SALEABLE | | 34951-1210 | 34951-1220 | |
| KEY A, BLACK, W/O CPA | 33472-6048 | A-BLK | GC | PLR | | M | R | | | 2 | 3 | | | | 8 | 9 | | | | | SALEABLE | | 34951-1210 | 34951-1220 | |
| KEY A, BLACK, W/O CPA | 33472-6049 | A-BLK | GC | PLR | | M | R | 1 | 2 | 3 | | | | | | | | | 11 | 12 | SALEABLE | | 34951-1210 | 34951-1220 | |
| KEY A, BLACK, W/O CPA | 33472-6050 | A-BLK | GC | PLR | | M | R | 1 | 2 | 3 | 4 | | | 6 | 8 | | | 10 | 11 | 12 | SALEABLE | | 34951-1210 | 34951-1220 | |
| KEY A, BLACK, W/O CPA | 33472-6051 | A-BLK | GC | PLR | | M | R | | | 2 | | 4 | | 6 | 8 | | | 10 | 11 | 12 | SALEABLE | | 34951-1210 | 34951-1220 | |
| KEY A, BLACK, W/O CPA | 33472-6052 | A-BLK | GC | PLR | | M | R | | | | | | | | | | | | 11 | 12 | SALEABLE | | 34951-1210 | 34951-1220 | |
| KEY A, BLACK, W/O CPA | 33472-6053 | A-BLK | GC | PLR | | M | R | 1 | 2 | 3 | 4 | 5 | 6 | | | 9 | | | | | SALEABLE | | 34951-1210 | 34951-1220 | |
| KEY A, BLACK, W/O CPA | 33472-6054 | A-BLK | GC | PLR | | M | R | | | | | | 6 | | | 9 | | | | | SALEABLE | | 34951-1210 | 34951-1220 | |
| KEY A, BLACK, W/O CPA | | | | | | | | | | | | | | | | | | | | | | | | | |

| ASSEMBLY DESCRIPTION | ASSEMBLY PART NUMBER | COMPONENT | | | | | | BLOCKED TERMINALS | | | | | | | | | | | | STATUS | COMMENTS | OPTIONAL ATTACHMENTS SOLD SEPERATELY | | | | | | | | |
|-----------------------|----------------------|---|-------------|-----|-----|----------|-----------|--|---|---|-----|---|---|---|---|---|----|----|----|--------|----------|--------------------------------------|------------------------|--|--|----------|--|--|------------|------------|
| | | THE PRESENCE OF AN ABBREVIATION INDICATES THE PRESENCE OF THAT COMPONENT. | | | | | | CAVITY WITH A NUMBER INDICATES BLOCKED TERMINAL POSITION CAVITY WITHOUT A NUMBER INDICATES OPEN TERMINAL POSITION | | | | | | | | | | | | | | BACKSHELL WITH RIBS | BACKSHELL WITHOUT RIBS | | | | | | | |
| | | HOUSING KEY/COLOR | GROMMET CAP | PLR | CPA | MAT SEAL | RING SEAL | 1 | 2 | 3 | 4 | 5 | 6 | 7 | 8 | 9 | 10 | 11 | 12 | | | | | | | | | | | |
| KEY A, BLACK, W/O CPA | 33472-6066 | A-BLK | GC | PLR | | M | R | 1 | 2 | | | | | 4 | 5 | 6 | 7 | 8 | | | | | | | | SALEABLE | | | 34951-1210 | 34951-1220 |
| KEY A, BLACK, W/O CPA | 33472-6067 | A-BLK | GC | PLR | | M | R | | | | | | | 4 | 5 | 6 | 7 | 8 | | | | | | | | SALEABLE | | | 34951-1210 | 34951-1220 |
| KEY A, BLACK, W/O CPA | 33472-6068 | A-BLK | GC | PLR | | M | R | 1 | 2 | 3 | 4 | 5 | 6 | | | | | | 9 | 10 | 11 | 12 | | | | SALEABLE | | | 34951-1210 | 34951-1220 |
| KEY A, BLACK, W/O CPA | 33472-6069 | A-BLK | GC | PLR | | M | R | 1 | | | 4 | | | | | | | | | | 11 | | | | | SALEABLE | | | 34951-1210 | 34951-1220 |
| KEY A, BLACK, W/O CPA | 33472-6070 | A-BLK | GC | PLR | | M | R | | | | | | | | | | | | 9 | 10 | 11 | 12 | | | | SALEABLE | | | 34951-1210 | 34951-1220 |
| KEY A, BLACK, W/O CPA | 33472-6071 | A-BLK | GC | PLR | | M | R | 1 | 2 | 3 | 4 | 5 | 6 | 7 | 8 | | | | | | | | | | | SALEABLE | | | 34951-1210 | 34951-1220 |
| KEY A, BLACK, W/O CPA | 33472-6072 | A-BLK | GC | PLR | | M | R | 1 | 2 | | | | 6 | 7 | 8 | | | | | | | | | | | SALEABLE | | | 34951-1210 | 34951-1220 |
| KEY A, BLACK, W/O CPA | 33472-6073 | A-BLK | GC | PLR | | M | R | 1 | 2 | | | | | 7 | 8 | | | | | | | | | | | SALEABLE | | | 34951-1210 | 34951-1220 |
| KEY A, BLACK, W/O CPA | 33472-6074 | A-BLK | GC | PLR | | M | R | 1 | | | | | 6 | 7 | 8 | | | | | | | | | | | SALEABLE | | | 34951-1210 | 34951-1220 |
| KEY A, BLACK, W/O CPA | 33472-6075 | A-BLK | GC | PLR | | M | R | | | | | | | 7 | 8 | | | | | | | | | | | SALEABLE | | | 34951-1210 | 34951-1220 |
| KEY A, BLACK, W/O CPA | 33472-6076 | A-BLK | GC | PLR | | M | R | | 2 | | 4 | | | | 7 | 8 | 9 | 10 | | | | | | | | SALEABLE | | | 34951-1210 | 34951-1220 |
| KEY A, BLACK, W/O CPA | 33472-6077 | A-BLK | GC | PLR | | M | R | | | 3 | | 5 | 6 | 7 | 8 | 9 | 10 | 11 | 12 | | | | | | | SALEABLE | | | 34951-1210 | 34951-1220 |
| KEY A, BLACK, W/O CPA | 33472-6078 | A-BLK | GC | PLR | | M | R | | | | 3 | | | | 7 | 8 | 9 | 10 | 11 | 12 | | | | | | SALEABLE | | | 34951-1210 | 34951-1220 |
| KEY A, BLACK, W/O CPA | 33472-6079 | A-BLK | GC | PLR | | M | R | 1 | 2 | 3 | 4 | | 6 | 7 | 8 | 9 | 10 | | | | | | | | | SALEABLE | | | 34951-1210 | 34951-1220 |
| KEY A, BLACK, W/O CPA | 33472-6080 | A-BLK | GC | PLR | | M | R | 1 | 2 | 3 | 4 | | | | 7 | 8 | 9 | 10 | | | | | | | | SALEABLE | | | 34951-1210 | 34951-1220 |
| KEY A, BLACK, W/O CPA | 33472-6081 | A-BLK | GC | PLR | | M | R | | | | | | 6 | | 8 | 9 | 10 | 11 | 12 | | | | | | | SALEABLE | | | 34951-1210 | 34951-1220 |
| KEY A, BLACK, W/O CPA | 33472-6082 | A-BLK | GC | PLR | | M | R | | | | | | | | 8 | 9 | 10 | 11 | 12 | | | | | | | SALEABLE | | | 34951-1210 | 34951-1220 |
| KEY A, BLACK, W/O CPA | 33472-6083 | A-BLK | GC | PLR | | M | R | | | | | | | | 8 | 9 | | | | | | | | | | SALEABLE | | | 34951-1210 | 34951-1220 |
| KEY A, BLACK, W/O CPA | 33472-6084 | A-BLK | GC | PLR | | M | R | 1 | 2 | 3 | | | | | 8 | | | | | | | | | | | SALEABLE | | | 34951-1210 | 34951-1220 |
| KEY A, BLACK, W/O CPA | 33472-6085 | A-BLK | GC | PLR | | M | R | | | | 3 | | 5 | 6 | | | | | | | | | | | | SALEABLE | | | 34951-1210 | 34951-1220 |
| KEY A, BLACK, W/O CPA | 33472-6086 | A-BLK | GC | PLR | | M | R | | 2 | 3 | | | 6 | 7 | 8 | 9 | 10 | 11 | 12 | | | | | | | SALEABLE | | | 34951-1210 | 34951-1220 |
| KEY A, BLACK, W/O CPA | 33472-6087 | A-BLK | GC | PLR | | M | R | | | | 3 | 4 | 5 | 6 | | | | | | | | | | | | SALEABLE | | | 34951-1210 | 34951-1220 |
| KEY A, BLACK, W/O CPA | 33472-6088 | A-BLK | GC | PLR | | M | R | | | | | | | | 8 | 9 | | | | | | | | | | SALEABLE | | | 34951-1210 | 34951-1220 |
| KEY A, BLACK, W/O CPA | 33472-6089 | A-BLK | GC | PLR | | M | R | | | | 3 | 4 | 5 | 6 | 7 | 8 | 9 | 10 | 11 | 12 | | | | | | SALEABLE | | | 34951-1210 | 34951-1220 |
| KEY A, BLACK, W/O CPA | 33472-6090 | A-BLK | GC | PLR | | M | R | 1 | 2 | | | | | | | | | | | | | | | | | SALEABLE | | | 34951-1210 | 34951-1220 |
| KEY A, BLACK, W/O CPA | 33472-6091 | A-BLK | GC | PLR | | M | R | 1 | 2 | 3 | 4 | 5 | 6 | 7 | 8 | | | | | | | | | | | SALEABLE | | | 34951-1210 | 34951-1220 |
| KEY A, BLACK, W/O CPA | 33472-6092 | A-BLK | GC | PLR | | M | R | 1 | 2 | 3 | 4 | 5 | 6 | 7 | 8 | 9 | | | | | | | | | | SALEABLE | | | 34951-1210 | 34951-1220 |
| KEY A, BLACK, W/O CPA | 33472-6093 | A-BLK | GC | PLR | | M | R | 1 | 2 | 3 | | | 6 | 7 | 8 | | | | | | | | | | | SALEABLE | | | 34951-1210 | 34951-1220 |
| KEY A, BLACK, W/O CPA | 33472-6094 | A-BLK | GC | PLR | | M | R | | | | 4 | | | | | | | | | | | | | | | SALEABLE | | | 34951-1210 | 34951-1220 |
| KEY A, BLACK, W/O CPA | 33472-6095 | A-BLK | GC | PLR | | M | R | 1 | | | | | | | 8 | | | | | | | | | | | SALEABLE | | | 34951-1210 | 34951-1220 |
| KEY A, BLACK, W/O CPA | 33472-6096 | A-BLK | GC | PLR | | M | R | | | | 3 | 4 | 5 | 6 | | | | | | | | | | | | SALEABLE | | | 34951-1210 | 34951-1220 |
| KEY A, BLACK, W/O CPA | 33472-6097 | A-BLK | GC | PLR | | M | R | | | | | | | | 8 | 9 | 10 | | | | | | | | | SALEABLE | | | 34951-1210 | 34951-1220 |
| KEY A, BLACK, W/O CPA | 33472-6098 | A-BLK | GC | PLR | | M | R | 1 | 2 | | 4 | | | | 7 | 8 | | | | | | | | | | SALEABLE | | | 34951-1210 | 34951-1220 |
| KEY A, BLACK, W/O CPA | 33472-6099 | A-BLK | GC | PLR | | M | R | | 2 | 3 | | 5 | | | | | | | | | | | | | | SALEABLE | | | 34951-1210 | 34951-1220 |
| KEY A, BLACK, W/O CPA | 33472-6100 | A-BLK | GC | PLR | | M | R | 1 | 2 | 3 | | | | | | | | | | | | | | | | SALEABLE | | | 34951-1210 | 34951-1220 |
| KEY A, BLACK, W/O CPA | 33472-6101 | A-BLK | GC | PLR | | M | R | 1 | 2 | 3 | | 5 | | | | | | | | | | | | | | SALEABLE | | | 34951-1210 | 34951-1220 |
| KEY A, BLACK, W/O CPA | 33472-6102 | A-BLK | GC | PLR | | M | R | 1 | 2 | 3 | 4 | 5 | | | 7 | 8 | | | | | | | | | | SALEABLE | | | 34951-1210 | 34951-1220 |
| KEY A, BLACK, W/O CPA | 33472-6103 | A-BLK | GC | PLR | | M | R | | | | | 5 | | | 8 | | | | | | | | | | | SALEABLE | | | 34951-1210 | 34951-1220 |
| KEY A, BLACK, W/O CPA | 33472-6104 | A-BLK | GC | PLR | | M | R | | 2 | | | 5 | | | | | | | | | | | | | | SALEABLE | | | 34951-1210 | 34951-1220 |
| KEY A, BLACK, W/O CPA | 33472-6105 | A-BLK | GC | PLR | | M | R | | 2 | | | 5 | | | 7 | | | | | | | | | | | SALEABLE | | | 34951-1210 | 34951-1220 |
| KEY A, BLACK, W/O CPA | 33472-6106 | A-BLK | GC | PLR | | M | R | | | 2 | | | | | | | | | | | | | | | | SALEABLE | | | 34951-1210 | 34951-1220 |
| KEY A, BLACK, W/O CPA | 33472-6107 | A-BLK | GC | PLR | | M | R | 1 | 2 | 3 | 4 | | 6 | | | | | | | | | | | | | SALEABLE | | | 34951-1210 | 34951-1220 |
| KEY A, BLACK, W/O CPA | 33472-6108 | A-BLK | GC | PLR | | M | R | | 2 | | | | | | 8 | | | | | | | | | | | SALEABLE | | | 34951-1210 | 34951-1220 |
| KEY A, BLACK, W/O CPA | 33472-6109 | A-BLK | GC | PLR | | M | R | | 2 | | 4 | | | | 8 | | | | | | | | | | | SALEABLE | | | 34951-1210 | 34951-1220 |
| KEY A, BLACK, W/O CPA | 33472-6110 | A-BLK | GC | PLR | | M | R | 1 | 2 | 3 | 4 | 5 | 6 | 7 | 8 | | | | | | | | | | | SALEABLE | | | 34951-1210 | 34951-1220 |
| KEY A, BLACK, W/O CPA | 33472-6111 | A-BLK | GC | PLR | | M | R | 1 | | | 3 | | 5 | 6 | 7 | 8 | 9 | 10 | 11 | 12 | | | | | | SALEABLE | | | 34951-1210 | 34951-1220 |
| KEY A, BLACK, W/O CPA | 33472-6112 | A-BLK | GC | PLR | | M | R | | | | | 4 | 5 | 6 | 7 | 8 | 9 | 10 | 11 | 12 | | | | | | SALEABLE | | | 34951-1210 | 34951-1220 |
| KEY A, BLACK, W/O CPA | 33472-6113 | A-BLK | GC | PLR | | M | R | | | | | 4 | 5 | 6 | 7 | 8 | 9 | 10 | 11 | 12 | | | | | | SALEABLE | | | 34951-1210 | 34951-1220 |
| KEY A, BLACK, W/O CPA | 33472-6114 | A-BLK | GC | PLR | | M | R | 1 | 2 | 3 | 4 | 5 | 6 | 7 | 8 | 9 | 10 | 11 | 12 | | | | | | | SALEABLE | | | 34951-1210 | 34951-1220 |
| KEY A, BLACK, W/O CPA | 33472-6115 | A-BLK | GC | PLR | | M | R | 1 | 2 | 3 | 4 | 5 | 6 | 7 | 8 | 9 | 10 | | | | | | | | | SALEABLE | | | 34951-1210 | 34951-1220 |
| KEY A, BLACK, W/O CPA | 33472-6116 | A-BLK | GC | PLR | | M | R | | | | | 5 | 6 | 7 | 8 | | | | | | | | | | | SALEABLE | | | 34951-1210 | 34951-1220 |
| KEY A, BLACK, W/O CPA | 33472-6117 | A-BLK | GC | PLR | | M | R | 1 | 2 | | 4 | 5 | 6 | 7 | | | | | | | | | | | | SALEABLE | | | 34951-1210 | 34951-1220 |
| KEY A, BLACK, W/O CPA | 33472-6118 | A-BLK | GC | PLR | | M | R | | | | | | | | 7 | 8 | | | | | | | | | | SALEABLE | | | 34951-1210 | 34951-1220 |
| KEY A, BLACK, W/O CPA | 33472-6119 | A-BLK | GC | PLR | | M | R | 1 | 2 | 3 | 4 | | | | 7 | 8 | 9 | 10 | 11 | | | | | | | SALEABLE | | | 34951-1210 | 34951-1220 |
| KEY A, BLACK, W/O CPA | 33472-6120 | A-BLK | GC | PLR | | M | R | | | | | 5 | 6 | 7 | 8 | 9 | 10 | | | | | | | | | SALEABLE | | | 34951-1210 | 34951-1220 |
| KEY A, BLACK, W/O CPA | 33472-6121 | A-BLK | GC | PLR | | M | R | 1 | 2 | | 4 | 5 | 6 | 7 | 8 | 9 | 10 | 11 | 12 | | | | | | | SALEABLE | | | 34951-1210 | 34951-1220 |
| KEY A, BLACK, W/O CPA | 33472-6122 | A-BLK | GC | PLR | | M | R | | | | | 5 | | | 8 | 9 | | | | | | | | | | SALEABLE | | | 34951-1210 | 34951-1220 |
| KEY A, BLACK, W/O CPA | 33472-6123 | A-BLK | GC | PLR | | M | R | | | | | 5 | | | 7 | 8 | 9 | | | | | | | | | SALEABLE | | | 34951-1210 | 34951-1220 |
| KEY A, BLACK, W/O CPA | 33472-6124 | A-BLK | GC | PLR | | M | R | | | | | 4 | 5 | | | | | | | | | | | | | SALEABLE | | | 34951-1210 | 34951-1220 |
| KEY A, BLACK, W/O CPA | 33472-6125 | A-BLK | GC | PLR | | M | R | | | | 3 | | | 6 | 7 | 8 | 9 | 10 | 11 | 12 | | | | | | SALEABLE | | | 34951-1210 | 34951-1220 |
| KEY A, BLACK, W/O CPA | 33472-6126 | A-BLK | GC | PLR | | M | R | | | | 3</ | | | | | | | | | | | | | | | | | | | |

MX150 RECEPTACLE 2X6 SEALED ASSEMBLY MAT SEAL
BOM AND PIN OUT SHEET

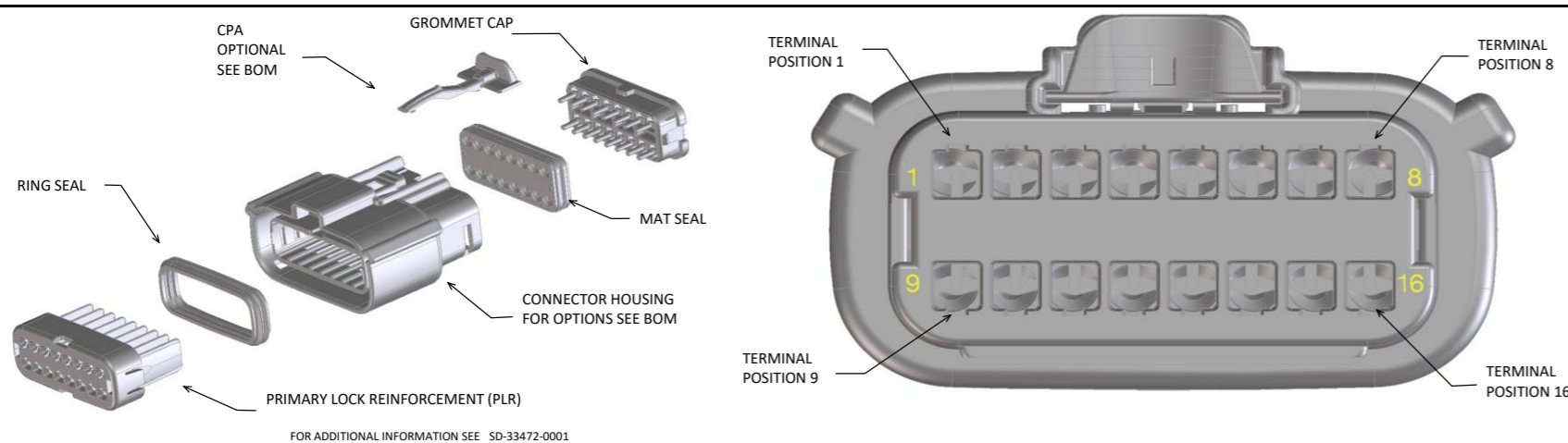
| ASSEMBLY DESCRIPTION | ASSEMBLY PART NUMBER | COMPONENT | | | | | | BLOCKED TERMINALS | | | | | | | | | | | | STATUS | COMMENTS | OPTIONAL ATTACHMENTS SOLD SEPERATELY | | | | |
|---|----------------------|---|-------------|-----|-----|----------|-----------|--|---|---|---|---|---|---|---|---|----|----|----|--------|----------|--------------------------------------|------------------------|------------|------------|------------|
| | | THE PRESENCE OF AN ABBREVIATION INDICATES THE PRESENCE OF THAT COMPONENT. | | | | | | CAVITY WITH A NUMBER INDICATES BLOCKED TERMINAL POSITION CAVITY WITHOUT A NUMBER INDICATES OPEN TERMINAL POSITION | | | | | | | | | | | | | | BACKSHELL WITH RIBS | BACKSHELL WITHOUT RIBS | | | |
| | | HOUSING KEY/COLOR | GROMMET CAP | PLR | CPA | MAT SEAL | RING SEAL | 1 | 2 | 3 | 4 | 5 | 6 | 7 | 8 | 9 | 10 | 11 | 12 | | | | | | | |
| KEY A, BLACK, W/O CPA | 33472-6147 | A-BLK | GC | PLR | | M | R | | | | | | | 5 | | | | 10 | 11 | | SALEABLE | | | 34951-1210 | 34951-1220 | |
| KEY A, BLACK, W/O CPA | 33472-6148 | A-BLK | GC | PLR | | M | R | | | | | | 4 | 5 | | | | | | 11 | 12 | SALEABLE | | | 34951-1210 | 34951-1220 |
| KEY A, BLACK, W/O CPA | 33472-6149 | A-BLK | GC | PLR | | M | R | 1 | 2 | 3 | 4 | | | 6 | 7 | 8 | 9 | 10 | 11 | | SALEABLE | | | 34951-1210 | 34951-1220 | |
| KEY A, BLACK, W/O CPA | 33472-6150 | A-BLK | GC | PLR | | M | R | | | | 4 | | | 6 | | | | 10 | 11 | | SALEABLE | | | 34951-1210 | 34951-1220 | |
| KEY A, BLACK, W/O CPA | 33472-6151 | A-BLK | GC | PLR | | M | R | 1 | 2 | 3 | 4 | | | 6 | 8 | 9 | | | | | SALEABLE | | | 34951-1210 | 34951-1220 | |
| KEY A, BLACK, W/O CPA | 33472-6152 | A-BLK | GC | PLR | | M | R | | | | 4 | | | 6 | | | | | | | SALEABLE | | | 34951-1210 | 34951-1220 | |
| KEY A, BLACK, W/O CPA | 33472-6153 | A-BLK | GC | PLR | | M | R | 1 | | | 3 | 4 | | | | | | | 11 | 12 | SALEABLE | | | 34951-1210 | 34951-1220 | |
| KEY A, BLACK, W/O CPA | 33472-6154 | A-BLK | GC | PLR | | M | R | 1 | | | 3 | 4 | | | | | | | | 11 | SALEABLE | | | 34951-1210 | 34951-1220 | |
| KEY A, BLACK, W/O CPA | 33472-6155 | A-BLK | GC | PLR | | M | R | | | | | | | | 7 | 8 | 9 | 10 | | | SALEABLE | | | 34951-1210 | 34951-1220 | |
| KEY A, BLACK, W/O CPA | 33472-6156 | A-BLK | GC | PLR | | M | R | | | | | | | | 7 | 8 | 9 | 10 | | 12 | SALEABLE | | | 34951-1210 | 34951-1220 | |
| KEY A, BLACK, W/O CPA | 33472-6157 | A-BLK | GC | PLR | | M | R | | 2 | | | | | | 7 | 8 | | | | | SALEABLE | | | 34951-1210 | 34951-1220 | |
| KEY A, BLACK, W/O CPA | 33472-6158 | A-BLK | GC | PLR | | M | R | | | | 3 | 4 | | | | | | | 11 | 12 | SALEABLE | | | 34951-1210 | 34951-1220 | |
| KEY A, BLACK, W/O CPA | 33472-6159 | A-BLK | GC | PLR | | M | R | 1 | | | | 4 | | | | | | | | 11 | SALEABLE | | | 34951-1210 | 34951-1220 | |
| KEY A, BLACK, W/O CPA | 33472-6160 | A-BLK | GC | PLR | | M | R | | | | | | | | 7 | | 9 | 10 | | | SALEABLE | | | 34951-1210 | 34951-1220 | |
| KEY A, BLACK, W/O CPA | 33472-6161 | A-BLK | GC | PLR | | M | R | 1 | | | | | | 6 | 7 | 8 | 9 | 10 | | | SALEABLE | | | 34951-1210 | 34951-1220 | |
| KEY A, BLACK, W/O CPA | 33472-6162 | A-BLK | GC | PLR | | M | R | 1 | | | | 4 | | | 6 | 7 | 8 | 9 | 10 | 11 | SALEABLE | | | 34951-1210 | 34951-1220 | |
| KEY A, BLACK, W/O CPA | 33472-6163 | A-BLK | GC | PLR | | M | R | 1 | 2 | 3 | | | | 5 | 6 | 7 | 8 | 9 | 10 | | 12 | SALEABLE | | | 34951-1210 | 34951-1220 |
| KEY A, BLACK, W/O CPA | 33472-6164 | A-BLK | GC | PLR | | M | R | 1 | 2 | | | | | | 6 | 7 | 8 | 9 | 10 | | SALEABLE | | | 34951-1210 | 34951-1220 | |
| KEY A, BLACK, W/O CPA | 33472-6165 | A-BLK | GC | PLR | | M | R | | 2 | 3 | | | | | 8 | 9 | 10 | 11 | | | SALEABLE | | | 34951-1210 | 34951-1220 | |
| KEY A, BLACK, W/O CPA | 33472-6166 | A-BLK | GC | PLR | | M | R | 1 | | | | 4 | | | 5 | | | 10 | | 12 | SALEABLE | | | 34951-1210 | 34951-1220 | |
| KEY A, BLACK, W/O CPA | 33472-6167 | A-BLK | GC | PLR | | M | R | 1 | 2 | 3 | 4 | | | | | 9 | 10 | 11 | 12 | | SALEABLE | | | 34951-1210 | 34951-1220 | |
| KEY A, BLACK, W/O CPA | 33472-6168 | A-BLK | GC | PLR | | M | R | | | 2 | | | | | | | | 10 | 11 | 12 | SALEABLE | | | 34951-1210 | 34951-1220 | |
| KEY A, BLACK, W/O CPA | 33472-6169 | A-BLK | GC | PLR | | M | R | | | | | | | | | | | 10 | | | SALEABLE | | | 34951-1210 | 34951-1220 | |
| KEY A, BLACK, W/O CPA | 33472-6170 | A-BLK | GC | PLR | | M | R | | | | | | | | | | | | | 12 | SALEABLE | | | 34951-1210 | 34951-1220 | |
| KEY A, BLACK, W/O CPA | 33472-6171 | A-BLK | GC | PLR | | M | R | | | | | 4 | 5 | | 7 | 8 | 9 | | | 12 | SALEABLE | | | 34951-1210 | 34951-1220 | |
| KEY A, BLACK, W/O CPA | 33472-6172 | A-BLK | GC | PLR | | M | R | | | | | 4 | 5 | | 7 | 8 | | 10 | 11 | 12 | SALEABLE | | | 34951-1210 | 34951-1220 | |
| KEY A, BLACK, W/O CPA | 33472-6173 | A-BLK | GC | PLR | | M | R | | | | | | 2 | | 5 | | 8 | 9 | 10 | 11 | SALEABLE | | | 34951-1210 | 34951-1220 | |
| KEY A, BLACK, W/O CPA | 33472-6174 | A-BLK | GC | PLR | | M | R | | | | | | | | 5 | | | | | | SALEABLE | | | 34951-1210 | 34951-1220 | |
| KEY A, BLACK, W/O CPA | 33472-6175 | A-BLK | GC | PLR | | M | R | 1 | 2 | | | | | 5 | | 7 | 8 | 9 | 10 | 11 | 12 | SALEABLE | | | 34951-1210 | 34951-1220 |
| KEY A, BLACK, W/O CPA | 33472-6176 | A-BLK | GC | PLR | | M | R | | | | | | | | 5 | | 7 | 8 | 9 | | 11 | SALEABLE | | | 34951-1210 | 34951-1220 |
| KEY A, BLACK, W/O CPA | 33472-6177 | A-BLK | GC | PLR | | M | R | 1 | 2 | | | | | | 5 | | | | 10 | | 12 | SALEABLE | | | 34951-1210 | 34951-1220 |
| KEY A, BLACK, W/O CPA | 33472-6178 | A-BLK | GC | PLR | | M | R | | | | | | | 5 | 6 | | | 9 | 10 | 11 | SALEABLE | | | 34951-1210 | 34951-1220 | |
| KEY A, BLACK, W/O CPA | 33472-6179 | A-BLK | GC | PLR | | M | R | | | | | | | 5 | 6 | | | | | | SALEABLE | | | 34951-1210 | 34951-1220 | |
| KEY A, BLACK, W/O CPA | 33472-6180 | A-BLK | GC | PLR | | M | R | | | | | | | | | 7 | | 9 | | | 12 | SALEABLE | | | 34951-1210 | 34951-1220 |
| KEY A, BLACK, W/O CPA | 33472-6181 | A-BLK | GC | PLR | | M | R | | | | | | | | | | 5 | | 10 | 11 | SALEABLE | | | 34951-1210 | 34951-1220 | |
| KEY A, BLACK, W/O CPA | 33472-6182 | A-BLK | GC | PLR | | M | R | | | | | | | | | 7 | | 9 | 10 | 11 | 12 | SALEABLE | | | 34951-1210 | 34951-1220 |
| KEY A, BLACK, W/O CPA | 33472-6183 | A-BLK | GC | PLR | | M | R | 1 | 2 | 3 | 4 | | | | 6 | 7 | 8 | 9 | | | 12 | SALEABLE | | | 34951-1210 | 34951-1220 |
| KEY A, BLACK, W/O CPA | 33472-6184 | A-BLK | GC | PLR | | M | R | 1 | 2 | 3 | 4 | | | | 5 | 6 | | | | | SALEABLE | | | 34951-1210 | 34951-1220 | |
| KEY A, BLACK, W/O CPA | 33472-6185 | A-BLK | GC | PLR | | M | R | | | | | | | | | 7 | | | | 11 | 12 | SALEABLE | | | 34951-1210 | 34951-1220 |
| KEY A, BLACK, W/O CPA | 33472-6186 | A-BLK | GC | PLR | | M | R | 1 | | | 3 | 4 | | | 5 | 6 | 7 | 8 | 9 | 10 | 11 | SALEABLE | | | 34951-1210 | 34951-1220 |
| KEY A, BLACK, W/O CPA | 33472-6187 | A-BLK | GC | PLR | | M | R | 1 | | | 3 | | | | 5 | 6 | 7 | 8 | 9 | 10 | | SALEABLE | | | 34951-1210 | 34951-1220 |
| KEY A, BLACK, W/O CPA | 33472-6188 | A-BLK | GC | PLR | | M | R | 1 | 2 | 3 | 4 | | | | | | | | 11 | 12 | SALEABLE | | | 34951-1210 | 34951-1220 | |
| KEY A, BLACK, WITH CLIPSLOT, W/O CPA | 33472-6189 | A-BLK-CLIP | GC | PLR | | M | R | | 2 | | | | | | | 7 | 8 | 9 | 10 | 11 | 12 | SALEABLE | | N/A | N/A | |
| KEY A, BLACK, WITH CLIPSLOT, W/O CPA | 33472-6190 | A-BLK-CLIP | GC | PLR | | M | R | 1 | 2 | | | | | | | 7 | 8 | 9 | 10 | 11 | 12 | SALEABLE | | N/A | N/A | |
| KEY A, BLACK, WITH CLIPSLOT, W/O CPA | 33472-6191 | A-BLK-CLIP | GC | PLR | | M | R | | | | | | | | 6 | 7 | 8 | 9 | 10 | 11 | 12 | SALEABLE | | N/A | N/A | |
| KEY A, BLACK, WITH CLIPSLOT, W/O CPA | 33472-6192 | A-BLK-CLIP | GC | PLR | | M | R | | 2 | | | | | | 6 | 7 | 8 | | | | SALEABLE | | N/A | N/A | | |
| KEY A, BLACK, WITH CLIPSLOT, W/O CPA | 33472-6193 | A-BLK-CLIP | GC | PLR | | M | R | | | | | | | | | 7 | 8 | | | | SALEABLE | | N/A | N/A | | |
| KEY A, BLACK, WITH CLIPSLOT, W/O CPA | 33472-6194 | A-BLK-CLIP | GC | PLR | | M | R | | | | | | | | | 7 | 8 | 9 | | | SALEABLE | | N/A | N/A | | |
| KEY A, BLACK, WITH CLIPSLOT, W/O CPA | 33472-6195 | A-BLK-CLIP | GC | PLR | | M | R | | | | 3 | | | | | | 9 | 10 | 11 | | SALEABLE | | N/A | N/A | | |
| KEY A, BLACK, WITH CLIPSLOT, W/O CPA | 33472-6196 | A-BLK-CLIP | GC | PLR | | M | R | 1 | 2 | | | 4 | 5 | 6 | 7 | 8 | 9 | | | 12 | SALEABLE | | N/A | N/A | | |
| KEY A, BLACK, WITH CLIPSLOT, W/O CPA | 33472-6197 | A-BLK-CLIP | GC | PLR | | M | R | 1 | 2 | 3 | 4 | 5 | 6 | 7 | 8 | | | | | 11 | SALEABLE | | N/A | N/A | | |
| KEY A, BLACK, WITH CLIPSLOT, W/O CPA | 33472-6198 | A-BLK-CLIP | GC | PLR | | M | R | | 2 | | | | | | 5 | | | 10 | | | SALEABLE | | N/A | N/A | | |
| KEY A, BLACK, WITH CLIPSLOT, W/O CPA | 33472-6199 | A-BLK-CLIP | GC | PLR | | M | R | 1 | 2 | 3 | 4 | 5 | 6 | 7 | 8 | 9 | 10 | | | 12 | SALEABLE | | N/A | N/A | | |
| KEY B, LIGHT GRAY, WITH CLIPSLOT, W/O CPA | 33472-6200 | B-LG-CLIP | GC | PLR | | M | R | | | | 3 | 4 | 5 | | | 8 | 9 | 10 | 11 | 12 | SALEABLE | | N/A | N/A | | |
| KEY A, BLACK, W/CPA | 33472-6201 | A-BLK | GC | PLR | CPA | M | R | 1 | 2 | | | | | 5 | 6 | 7 | 8 | | | 11 | 12 | SALEABLE | | 34951-1210 | 34951-1220 | |
| KEY B, LIGHT GRAY, W/CPA | 33472-6202 | B-LG | GC | PLR | CPA | M | R | 1 | 2 | | | | | 5 | 6 | 7 | 8 | | | 11 | 12 | SALEABLE | | 34951-1210 | 34951-1220 | |
| KEY A, BLACK, WITH CLIPSLOT, W/O CPA | 33472-6203 | A-BLK-CLIP | GC | PLR | | M | R | | | | | 4 | | | | 7 | | | | | SALEABLE | | N/A | N/A | | |
| KEY A, BLACK, WITH CLIPSLOT, W/O CPA | 33472-6204 | A-BLK-CLIP | GC | PLR | | M | R | | | | | | 4 | | | 6 | 7 | | | | SALEABLE | | N/A | N/A | | |
| KEY A, BLACK, WITH CLIPSLOT, W/O CPA | 33472-6205 | A-BLK-CLIP | GC | PLR | | M | R | | 2 | 3 | 4 | | | | | 8 | 9 | 10 | 11 | 12 | SALEABLE | | N/A | N/A | | |
| KEY A, BLACK, WITH CLIPSLOT, W/CPA | 33472-6206 | A-BLK-CLIP | GC | PLR | CPA | M | R | | | | | | | | 5 | 6 | | | | 11 | 12 | SALEABLE | | N/A | N/A | |
| KEY A, BLACK, WITH CLIPSLOT, W/CPA | 33472-6207 | A-BLK-CLIP | GC | PLR | CPA | M | R | | | | | | | | | | 8 | 9 | 10 | 11 | SALEABLE | | N/A | N/A | | |
| KEY A, BLACK, WITH CLIPSLOT, W/CPA | 33472-6208 | A-BLK-CLIP | GC | PLR | CPA | M | R | | | | | | | | | | 8 | 9 | 10 | 11 | SALEABLE | | N/A | N/A | | |
| KEY B, LIGHT GRAY, WITH CLIPSLOT, W/O CPA | 33472-6209 | B-LG-CLIP | GC | PLR | | M | R | 1 | | | | | | | 6 | 7 | | | 10 | 11 | 12 | SALEABLE | | N/A | N/A | |
| KEY A, BLACK, W/CPA | 33472-6210 | A-BLK | GC | PLR | CPA | M | R | | | | | | | | | | 8 | 9 | | | 12 | SALEABLE | | 34951-1210 | 34951-1220 | |
| KEY A, BLACK, WITH CLIPSLOT, W/O CPA | 33472-6211 | A-BLK-CLIP | GC | PLR | | M | R | 1 | | | | | | | | | | | | | SALEABLE | | N/A | N/A | | |
| KEY A, BLACK, W/CPA | 33472-6212 | A-BLK | GC | PLR | CPA | M | R | | | | | | | | | | 6 | | | | 12 | SALEABLE | | 34951-1210 | 34951-1220 | |
| KEY A, BLACK, W/CPA | 33472-6213 | A-BLK | GC | PLR | CPA | M | R | | | | | | | | | | | | | | 12 | SALEABLE | | 34951-1210 | 34951-1220 | |
| KEY A, BLACK, WITH CLIPSLOT, W/O CPA | 33472-6214 | A-BLK-CLIP | GC | PLR | | M | R | | | | | | | | | | | | | 10 | 11 | 12 | SALEABLE | | N/A | N/A |
| KEY A, BLACK, WITH CLIPSLOT, W/O CPA | 33472-6215 | A-BLK-CLIP | | | | | | | | | | | | | | | | | | | | | | | | |



**MX150 RECEPTACLE 2X6 SEALED ASSEMBLY MAT SEAL
BOM AND PIN OUT SHEET**

| ASSEMBLY DESCRIPTION | ASSEMBLY PART NUMBER | COMPONENT | | | | | | BLOCKED TERMINALS | | | | | | | | | | | | STATUS | COMMENTS | OPTIONAL ATTACHMENTS SOLD SEPERATELY | |
|---|----------------------|---|-------------|-----|-----|----------|-----------|--|---|---|---|---|---|---|---|---|----|----|----|----------|----------|--------------------------------------|------------------------|
| | | THE PRESENCE OF AN ABBREVIATION INDICATES THE PRESENCE OF THAT COMPONENT. | | | | | | CAVITY WITH A NUMBER INDICATES BLOCKED TERMINAL POSITION CAVITY WITHOUT A NUMBER INDICATES OPEN TERMINAL POSITION | | | | | | | | | | | | | | BACKSHELL WITH RIBS | BACKSHELL WITHOUT RIBS |
| | | HOUSING KEY/COLOR | GROMMET CAP | PLR | CPA | MAT SEAL | RING SEAL | 1 | 2 | 3 | 4 | 5 | 6 | 7 | 8 | 9 | 10 | 11 | 12 | | | | |
| KEY B, LIGHT GRAY, W/O CPA | 33472-6228 | B-LG | GC | PLR | | M | R | 1 | 2 | 3 | 4 | 5 | | 7 | | | | 11 | 12 | SALEABLE | | 34951-1210 | 34951-1220 |
| KEY B, LIGHT GRAY, W/O CPA | 33472-6229 | B-LG | GC | PLR | | M | R | 1 | 2 | 3 | 4 | 5 | 6 | 7 | | | 10 | 11 | 12 | SALEABLE | | 34951-1210 | 34951-1220 |
| KEY B, LIGHT GRAY, W/O CPA | 33472-6230 | B-LG | GC | PLR | | M | R | | | | | | 6 | 7 | | | 10 | 11 | 12 | SALEABLE | | 34951-1210 | 34951-1220 |
| KEY B, LIGHT GRAY, W/O CPA | 33472-6231 | B-LG | GC | PLR | | M | R | | | | | | 6 | 7 | 8 | 9 | 10 | 11 | 12 | SALEABLE | | 34951-1210 | 34951-1220 |
| KEY B, LIGHT GRAY, W/O CPA | 33472-6232 | B-LG | GC | PLR | | M | R | | | 3 | | | | 7 | | | | | | SALEABLE | | 34951-1210 | 34951-1220 |
| KEY B, LIGHT GRAY, WITH CLIPSLOT, W/O CPA | 33472-6233 | B-LG-CLIP | GC | PLR | | M | R | | | | | | | 7 | | | | 11 | 12 | SALEABLE | | N/A | N/A |

MX150 RECEPTACLE 2X8 SEALED ASSEMBLY MAT SEAL
BOM AND PIN OUT SHEET



FOR ADDITIONAL INFORMATION SEE SD-33472-0001

| ABBREVIATION | DESCRIPTION | COLOR | MATERIAL |
|--------------|--|------------|--------------------------------|
| A-BLK | HOUSING, KEYING OPTION A | BLACK | SPS/NYLON GF20 |
| B-LG | HOUSING, KEYING OPTION B | LIGHT GRAY | SPS/NYLON GF20 |
| C-BR | HOUSING, KEYING OPTION C | BROWN | SPS/NYLON GF20 |
| D-GR | HOUSING, KEYING OPTION D | GREEN | SPS/NYLON GF20 |
| C-DG | HOUSING, KEYING OPTION C | DARK GRAY | SPS/NYLON GF20 |
| D-SG | HOUSING, KEYING OPTION D | STONE GRAY | SPS/NYLON GF20 |
| A-YW | HOUSING, KEYING OPTION A | YELLOW | SPS/NYLON GF20 |
| A-BLK-CLIP | HOUSING, KEYING OPTION A WITH CLIPSLOT | BLACK | SPS/NYLON GF20 |
| B-LG-CLIP | HOUSING, KEYING OPTION B WITH CLIPSLOT | LIGHT GRAY | SPS/NYLON GF20 |
| C-DG-CLIP | HOUSING, KEYING OPTION C WITH CLIPSLOT | DARK GRAY | SPS/NYLON GF20 |
| D-SG-CLIP | HOUSING, KEYING OPTION D WITH CLIPSLOT | STONE GRAY | SPS/NYLON GF20 |
| GC | GROMMET CAP | BLACK | SPS/NYLON GF20 |
| PLR | PLR | NATURAL | SPS/NYLON GF20 |
| CPA | CPA | RED | PBT GF30 |
| M | MAT SEAL | LIGHT BLUE | INHERENTLY LUBRICATED SILICONE |
| R | RING SEAL | GREEN | INHERENTLY LUBRICATED SILICONE |

| ASSEMBLY DESCRIPTION | ASSEMBLY PART NUMBER | COMPONENT | | | | | | BLOCKED TERMINALS | | | | | | | | | | | | | | | | STATUS | COMMENTS | OPTIONAL ATTACHMENTS SOLD SEPARATELY | | | | | | |
|----------------------------|----------------------|---|-------------|-----|-----|----------|-----------|--|---|---|---|---|---|---|---|---|----|----|----|----|----|----|----|--------|----------|--------------------------------------|------------------------|-----------------------|--------------------------|-----|-----|-----|
| | | THE PRESENCE OF AN ABBREVIATION INDICATES THE PRESENCE OF THAT COMPONENT. | | | | | | CAVITY WITH A NUMBER INDICATES BLOCKED TERMINAL POSITION CAVITY WITHOUT A NUMBER INDICATES OPEN TERMINAL POSITION | | | | | | | | | | | | | | | | | | BACKSHELL WITH RIBS | BACKSHELL WITHOUT RIBS | 90° ADAPTOR WITH RIBS | 90° ADAPTOR WITHOUT RIBS | | | |
| | | HOUSING KEY/COLOR | GROMMET CAP | PLR | CPA | MAT SEAL | RING SEAL | 1 | 2 | 3 | 4 | 5 | 6 | 7 | 8 | 9 | 10 | 11 | 12 | 13 | 14 | 15 | 16 | | | | | | | | | |
| KEY A, BLACK, W/O CPA | 33472-1601 | A-BLK | GC | PLR | | M | R | | | | | | | | | | | | | | | | | | | | SALEABLE | | N/A | N/A | N/A | N/A |
| KEY B, LIGHT GRAY, W/O CPA | 33472-1602 | B-LG | GC | PLR | | M | R | | | | | | | | | | | | | | | | | | | | SALEABLE | | N/A | N/A | N/A | N/A |
| KEY C, BROWN, W/O CPA | 33472-1603 | C-BR | GC | PLR | | M | R | | | | | | | | | | | | | | | | | | | | NOT RECOMMENDED | SEE P/N 33472-1767 | N/A | N/A | N/A | N/A |
| KEY D, GREEN, W/O CPA | 33472-1604 | D-GR | GC | PLR | | M | R | | | | | | | | | | | | | | | | | | | | NOT RECOMMENDED | SEE P/N 33472-1768 | N/A | N/A | N/A | N/A |
| VOID KEY | 33472-1605 | | | | | | | | | | | | | | | | | | | | | | | | | | | | | | | |
| KEY A, BLACK, W/CPA | 33472-1606 | A-BLK | GC | PLR | CPA | M | R | | | | | | | | | | | | | | | | | | | | SALEABLE | | N/A | N/A | N/A | N/A |
| KEY B, LIGHT GRAY, W/CPA | 33472-1607 | B-LG | GC | PLR | CPA | M | R | | | | | | | | | | | | | | | | | | | | SALEABLE | | N/A | N/A | N/A | N/A |
| KEY C, BROWN, W/CPA | 33472-1608 | C-BR | GC | PLR | CPA | M | R | | | | | | | | | | | | | | | | | | | | NOT RECOMMENDED | SEE P/N 33472-1769 | N/A | N/A | N/A | N/A |
| KEY D, GREEN, W/CPA | 33472-1609 | D-GR | GC | PLR | CPA | M | R | | | | | | | | | | | | | | | | | | | | NOT RECOMMENDED | SEE P/N 33472-1770 | N/A | N/A | N/A | N/A |
| VOID KEY | 33472-1610 | | | | | | | | | | | | | | | | | | | | | | | | | | | | | | | |
| KEY A, BLACK, W/O CPA | 33472-1611 | A-BLK | GC | PLR | | M | R | | | | | | | | | | | | | | | | | | | | SALEABLE | | N/A | N/A | N/A | N/A |
| KEY B, LIGHT GRAY, W/O CPA | 33472-1612 | B-LG | GC | PLR | | M | R | | | | | | | | | | | | | | | | | | | | SALEABLE | | N/A | N/A | N/A | N/A |
| KEY C, BROWN, W/O CPA | 33472-1613 | C-BR | GC | PLR | | M | R | | | | | | | | | | | | | | | | | | | | NOT RECOMMENDED | | N/A | N/A | N/A | N/A |
| KEY D, GREEN, W/O CPA | 33472-1614 | D-GR | GC | PLR | | M | R | | | | | | | | | | | | | | | | | | | | NOT RECOMMENDED | | N/A | N/A | N/A | N/A |
| VOID KEY | 33472-1615 | | | | | | | | | | | | | | | | | | | | | | | | | | | | | | | |
| KEY A, BLACK, W/CPA | 33472-1616 | A-BLK | GC | PLR | CPA | M | R | | | | | | | | | | | | | | | | | | | | SALEABLE | | N/A | N/A | N/A | N/A |
| KEY B, LIGHT GRAY, W/CPA | 33472-1617 | B-LG | GC | PLR | CPA | M | R | | | | | | | | | | | | | | | | | | | | SALEABLE | | N/A | N/A | N/A | N/A |
| KEY C, BROWN, W/CPA | 33472-1618 | C-BR | GC | PLR | CPA | M | R | | | | | | | | | | | | | | | | | | | | NOT RECOMMENDED | | N/A | N/A | N/A | N/A |
| KEY D, GREEN, W/CPA | 33472-1619 | D-GR | GC | PLR | CPA | M | R | | | | | | | | | | | | | | | | | | | | NOT RECOMMENDED | | N/A | N/A | N/A | N/A |
| VOID KEY | 33472-1620 | | | | | | | | | | | | | | | | | | | | | | | | | | | | | | | |
| KEY A, BLACK, W/O CPA | 33472-1621 | A-BLK | GC | PLR | | M | R | 1 | 2 | 3 | 4 | 5 | 6 | 7 | 8 | 9 | 10 | 11 | 12 | 13 | 14 | 15 | 16 | | | SALEABLE | | N/A | N/A | N/A | N/A | |
| KEY B, LIGHT GRAY, W/O CPA | 33472-1622 | B-LG | GC | PLR | | M | R | 1 | 2 | 3 | 4 | 5 | 6 | 7 | 8 | 9 | 10 | 11 | 12 | 13 | 14 | 15 | 16 | | | SALEABLE | | N/A | N/A | N/A | N/A | |
| KEY C, BROWN, W/O CPA | 33472-1623 | C-BR | GC | PLR | | M | R | 1 | 2 | 3 | 4 | 5 | 6 | 7 | 8 | 9 | 10 | 11 | 12 | 13 | 14 | 15 | 16 | | | NOT RECOMMENDED | | N/A | N/A | N/A | N/A | |
| KEY D, GREEN, W/O CPA | 33472-1624 | D-GR | GC | PLR | | M | R | 1 | 2 | 3 | 4 | 5 | 6 | 7 | 8 | 9 | 10 | 11 | 12 | 13 | 14 | 15 | 16 | | | NOT RECOMMENDED | | N/A | N/A | N/A | N/A | |
| VOID KEY | 33472-1625 | | | | | | | | | | | | | | | | | | | | | | | | | | | | | | | |
| KEY A, BLACK, W/CPA | 33472-1626 | A-BLK | GC | PLR | CPA | M | R | 1 | 2 | 3 | 4 | 5 | 6 | 7 | 8 | 9 | 10 | 11 | 12 | 13 | 14 | 15 | 16 | | | SALEABLE | | N/A | N/A | N/A | N/A | |
| KEY B, LIGHT GRAY, W/CPA | 33472-1627 | B-LG | GC | PLR | CPA | M | R | 1 | 2 | 3 | 4 | 5 | 6 | 7 | 8 | 9 | 10 | 11 | 12 | 13 | 14 | 15 | 16 | | | SALEABLE | | N/A | N/A | N/A | N/A | |
| KEY C, BROWN, W/CPA | 33472-1628 | C-BR | GC | PLR | CPA | M | R | 1 | 2 | 3 | 4 | 5 | 6 | 7 | 8 | 9 | 10 | 11 | 12 | 13 | 14 | 15 | 16 | | | NOT RECOMMENDED | | N/A | N/A | N/A | N/A | |
| KEY D, GREEN, W/CPA | 33472-1629 | D-GR | GC | PLR | CPA | M | R | 1 | 2 | 3 | 4 | 5 | 6 | 7 | 8 | 9 | 10 | 11 | 12 | 13 | 14 | 15 | 16 | | | NOT RECOMMENDED | | N/A | N/A | N/A | N/A | |
| VOID KEY | 33472-1630 | | | | | | | | | | | | | | | | | | | | | | | | | | | | | | | |
| KEY A, BLACK, W/O CPA | 33472-1631 | A-BLK | GC | PLR | | M | R | | | | | | | | | | | | | | | | | | | | SALEABLE | | N/A | N/A | N/A | N/A |
| KEY B, LIGHT GRAY, W/O CPA | 33472-1632 | B-LG | GC | PLR | | M | R | | | | | | | | | | | | | | | | | | | | SALEABLE | | N/A | N/A | N/A | N/A |
| KEY C, BROWN, W/O CPA | 33472-1633 | C-BR | GC | PLR | | M | R | | | | | | | | | | | | | | | | | | | | NOT RECOMMENDED | | N/A | N/A | N/A | N/A |
| KEY D, GREEN, W/O CPA | 33472-1634 | D-GR | GC | PLR | | M | R | | | | | | | | | | | | | | | | | | | | NOT RECOMMENDED | | N/A | N/A | N/A | N/A |
| VOID KEY | 33472-1635 | | | | | | | | | | | | | | | | | | | | | | | | | | | | | | | |
| KEY A, BLACK, W/CPA | 33472-1636 | A-BLK | GC | PLR | CPA | M | R | | | | | | | | | | | | | | | | | | | | SALEABLE | | N/A | N/A | N/A | N/A |
| KEY B, LIGHT GRAY, W/CPA | 33472-1637 | B-LG | GC | PLR | CPA | M | R | | | | | | | | | | | | | | | | | | | | SALEABLE | | N/A | N/A | N/A | N/A |
| KEY C, BROWN, W/CPA | 33472-1638 | C-BR | GC | PLR | CPA | M | R | | | | | | | | | | | | | | | | | | | | NOT RECOMMENDED | | N/A | N/A | N/A | N/A |
| KEY D, GREEN, W/CPA | 33472-1639 | D-GR | GC | PLR | CPA | M | R | | | | | | | | | | | | | | | | | | | | NOT RECOMMENDED | | N/A | N/A | N/A | N/A |
| VOID KEY | 33472-1640 | | | | | | | | | | | | | | | | | | | | | | | | | | | | | | | |
| KEY A, BLACK, W/O CPA | 33472-1641 | A-BLK | GC | PLR | | M | R | 1 | | | | | | | | | | | | | | | | | | | SALEABLE | | N/A | N/A | N/A | N/A |
| KEY B, LIGHT GRAY, W/O CPA | 33472-1642 | B-LG | GC | PLR | | M | R | 1 | | | | | | | | | | | | | | | | | | | SALEABLE | | N/A | N/A | N/A | N/A |
| KEY C, BROWN, W/O CPA | 33472-1643 | C-BR | GC | PLR | | M | R | 1 | | | | | | | | | | | | | | | | | | | NOT RECOMMENDED | | N/A | N/A | N/A | N/A |
| KEY D, GREEN, W/O CPA | 33472-1644 | D-GR | GC | PLR | | M | R | 1 | | | | | | | | | | | | | | | | | | | NOT RECOMMENDED | | N/A | N/A | N/A | N/A |
| VOID KEY | 33472-1645 | | | | | | | | | | | | | | | | | | | | | | | | | | | | | | | |
| KEY A, BLACK, W/CPA | 33472-1646 | A-BLK | GC | PLR | CPA | M | R | 1 | | | | | | | | | | | | | | | | | | | SALEABLE | | N/A | N/A | N/A | N/A |
| KEY B, LIGHT GRAY, W/CPA | 33472-1647 | B-LG | GC | PLR | CPA | M | R | 1 | | | | | | | | | | | | | | | | | | | SALEABLE | | N/A | N/A | N/A | N/A |
| KEY C, BROWN, W/CPA | 33472-1648 | C-BR | GC | PLR | CPA | M | R | 1 | | | | | | | | | | | | | | | | | | | NOT RECOMMENDED | | N/A | N/A | N/A | N/A |
| KEY D, GREEN, W/CPA | 33472-1649 | D-GR | GC | PLR | CPA | M | R | 1 | | | | | | | | | | | | | | | | | | | NOT RECOMMENDED | | N/A | N/A | N/A | N/A |
| VOID KEY | 33472-1650 | | | | | | | | | | | | | | | | | | | | | | | | | | | | | | | |
| KEY A, BLACK, W/O CPA | 33472-1651 | A-BLK | GC | PLR | | M | R | | | | | | | | | | | | | | | | | | | | SALEABLE | | N/A | N/A | N/A | N/A |
| KEY A, BLACK, W/CPA | 33472-1652 | A-BLK | GC | PLR | CPA | M | R | | | | | | | | | | | | | | | | | | | | SALEABLE | | N/A | N/A | N/A | N/A |
| KEY A, BLACK, W/O CPA | 33472-1653 | A-BLK | GC | PLR | | M | R | 1 | | | | | | | | | | | | | | | | | | | SALEABLE | | N/A | N/A | N/A | N/A |
| KEY B, LIGHT GRAY, W/O CPA | 33472-1654 | B-LG | GC | PLR | | M | R | 1 | | | | | | | | | | | | | | | | | | | SALEABLE | | N/A | N/A | N/A | N/A |
| KEY C, BROWN, W/O CPA | 33472-1655 | C-BR | GC | PLR | | M | R | 1 | | | | | | | | | | | | | | | | | | | NOT RECOMMENDED | | N/A | N/A | N/A | N/A |
| KEY D, GREEN, W/O CPA | 33472-1656 | D-GR | GC | PLR | | M | R | 1 | | | | | | | | | | | | | | | | | | | NOT RECOMMENDED | | N/A | N/A | N/A | N/A |
| VOID KEY | 33472-1657 | | | | | | | | | | | | | | | | | | | | | | | | | | | | | | | |
| KEY A, BLACK, W/CPA | 33472-1658 | A-BLK | GC | PLR | CPA | M | R | 1 | | | | | | | | | | | | | | | | | | | SALEABLE | | N/A | N/A | N/A | N/A |
| KEY B, LIGHT GRAY, W/CPA | 33472-1659 | B-LG | GC | PLR | CPA | M | R | 1 | | | | | | | | | | | | | | | | | | | SALEABLE | | N/A | N/A | N/A | N/A |
| KEY C, BROWN, W/CPA | 33472-1660 | C-BR | GC | PLR | CPA | M | R | 1 | | | | | | | | | | | | | | | | | | | | | | | | |

MX150 RECEPTACLE 2X8 SEALED ASSEMBLY MAT SEAL
BOM AND PIN OUT SHEET

Table with columns: ASSEMBLY DESCRIPTION, ASSEMBLY PART NUMBER, COMPONENT (HOUSING KEY/COLOR, GROMMET CAP, PLR, CPA, MAT SEAL, RING SEAL), BLOCKED TERMINALS (1-16), STATUS, COMMENTS, and OPTIONAL ATTACHMENTS SOLD SEPARATELY (BACKSHELL WITH RIBS, BACKSHELL WITHOUT RIBS, 90° ADAPTOR WITH RIBS, 90° ADAPTOR WITHOUT RIBS).



**MX150 RECEPTACLE 2X8 SEALED ASSEMBLY MAT SEAL
BOM AND PIN OUT SHEET**

| ASSEMBLY DESCRIPTION | ASSEMBLY PART NUMBER | COMPONENT | | | | | | BLOCKED TERMINALS | | | | | | | | | | | | | | | | STATUS | COMMENTS | OPTIONAL ATTACHMENTS SOLD SEPERATELY | | | | | | | | |
|-----------------------|----------------------|---|-------------|-----|-----|----------|-----------|--|---|---|---|---|---|---|---|---|----|----|----|----|----|----|----|--------|----------|--------------------------------------|------------------------|-----------------------|--------------------------|-----|-----|-----|-----|-----|
| | | THE PRESENCE OF AN ABBREVIATION INDICATES THE PRESENCE OF THAT COMPONENT. | | | | | | CAVITY WITH A NUMBER INDICATES BLOCKED TERMINAL POSITION CAVITY WITHOUT A NUMBER INDICATES OPEN TERMINAL POSITION | | | | | | | | | | | | | | | | | | BACKSHELL WITH RIBS | BACKSHELL WITHOUT RIBS | 90° ADAPTOR WITH RIBS | 90° ADAPTOR WITHOUT RIBS | | | | | |
| | | HOUSING KEY/COLOR | GROMMET CAP | PLR | CPA | MAT SEAL | RING SEAL | 1 | 2 | 3 | 4 | 5 | 6 | 7 | 8 | 9 | 10 | 11 | 12 | 13 | 14 | 15 | 16 | | | | | | | | | | | |
| KEY A, BLACK, W/O CPA | 33472-1872 | A-BLK | GC | PLR | | M | R | 1 | 2 | | | 5 | 6 | 7 | 8 | 9 | 10 | | | | | | | | | | | SALEABLE | | | N/A | N/A | N/A | N/A |
| KEY A, BLACK, W/O CPA | 33472-1873 | A-BLK | GC | PLR | | M | R | | | | | 5 | 6 | 7 | 8 | 9 | | | | | | | | | | | | SALEABLE | | | N/A | N/A | N/A | N/A |
| KEY A, BLACK, W/O CPA | 33472-1874 | A-BLK | GC | PLR | | M | R | | | | | 5 | 6 | 7 | 8 | 9 | | | | | | | | | | | | SALEABLE | | | N/A | N/A | N/A | N/A |
| KEY A, BLACK, W/O CPA | 33472-1875 | A-BLK | GC | PLR | | M | R | 1 | 2 | | | | | 8 | | | 10 | 11 | 12 | 13 | 14 | | | | | | | SALEABLE | | | N/A | N/A | N/A | N/A |
| KEY A, BLACK, W/O CPA | 33472-1876 | A-BLK | GC | PLR | | M | R | | | | | | | | | | 11 | 12 | 13 | 14 | | | | | | | | SALEABLE | | | N/A | N/A | N/A | N/A |
| KEY A, BLACK, W/O CPA | 33472-1877 | A-BLK | GC | PLR | | M | R | 1 | 2 | | | | | | | | 10 | | | | | | | | | | | SALEABLE | | | N/A | N/A | N/A | N/A |
| KEY A, BLACK, W/O CPA | 33472-1878 | A-BLK | GC | PLR | | M | R | | | 3 | | 5 | | | 7 | | | 10 | 11 | | 13 | | | | 15 | | | SALEABLE | | | N/A | N/A | N/A | N/A |
| KEY A, BLACK, W/O CPA | 33472-1879 | A-BLK | GC | PLR | | M | R | 1 | 2 | 3 | 4 | 5 | | | 8 | 9 | 10 | 11 | | 12 | 13 | 14 | | | | | SALEABLE | | | N/A | N/A | N/A | N/A | |
| KEY A, BLACK, W/O CPA | 33472-1880 | A-BLK | GC | PLR | | M | R | | | | | | | | | | | | | 12 | 13 | 14 | | | | | SALEABLE | | | N/A | N/A | N/A | N/A | |
| KEY A, BLACK, W/O CPA | 33472-1881 | A-BLK | GC | PLR | | M | R | | 2 | | | | | | | | | | | 12 | 13 | 14 | | | | | SALEABLE | | | N/A | N/A | N/A | N/A | |
| KEY A, BLACK, W/O CPA | 33472-1882 | A-BLK | GC | PLR | | M | R | 1 | | | 4 | 5 | 6 | | 8 | | | | | 12 | 13 | 14 | | | | | SALEABLE | | | N/A | N/A | N/A | N/A | |
| KEY A, BLACK, W/O CPA | 33472-1883 | A-BLK | GC | PLR | | M | R | 1 | 2 | | 4 | 5 | 6 | | 8 | 9 | 10 | | | 12 | 13 | 14 | 15 | 16 | | | SALEABLE | | | N/A | N/A | N/A | N/A | |
| KEY A, BLACK, W/O CPA | 33472-1884 | A-BLK | GC | PLR | | M | R | | | | 4 | 5 | | | 8 | | | | 10 | 11 | 12 | 13 | 14 | 15 | | | SALEABLE | | | N/A | N/A | N/A | N/A | |
| KEY A, BLACK, W/O CPA | 33472-1885 | A-BLK | GC | PLR | | M | R | | | | | | | | 7 | 8 | 9 | 10 | 11 | 12 | 13 | 14 | | | | | SALEABLE | | | N/A | N/A | N/A | N/A | |
| KEY A, YELLOW, W/CPA | 33472-1886 | A-YW | GC | PLR | CPA | M | R | | | | | | | | | | | | | | | | | | | | SALEABLE | | | N/A | N/A | N/A | N/A | |
| KEY A, BLACK, W/O CPA | 33472-1887 | A-BLK | GC | PLR | | M | R | 1 | | | 4 | 5 | | | | | | | | 11 | | 13 | 14 | 15 | | | SALEABLE | | | N/A | N/A | N/A | N/A | |
| KEY A, BLACK, W/CPA | 33472-1888 | A-BLK | GC | PLR | CPA | M | R | | | | | | 6 | | | | | | | | | | | | | | SALEABLE | | | N/A | N/A | N/A | N/A | |
| KEY A, BLACK, W/O CPA | 33472-1889 | A-BLK | GC | PLR | | M | R | | | | | | | | | | | | | | 13 | 14 | | | | | SALEABLE | | | N/A | N/A | N/A | N/A | |
| KEY A, BLACK, W/CPA | 33472-1890 | A-BLK | GC | PLR | CPA | M | R | | | | | | | | 8 | | | | | | | | | | | | SALEABLE | | | N/A | N/A | N/A | N/A | |
| KEY A, BLACK, W/CPA | 33472-1891 | A-BLK | GC | PLR | CPA | M | R | | | | | | | | 5 | 6 | 7 | 8 | 9 | 10 | 11 | 12 | | | | | SALEABLE | | | N/A | N/A | N/A | N/A | |
| KEY A, BLACK, W/O CPA | 33472-1894 | A-BLK | GC | PLR | | M | R | | | | | | | | 5 | 6 | 7 | 8 | | | 12 | 13 | 14 | 15 | 16 | | SALEABLE | | | N/A | N/A | N/A | N/A | |
| KEY A, BLACK, W/O CPA | 33472-1895 | A-BLK | GC | PLR | | M | R | 1 | 2 | 3 | | | | | | | | | | | | | | | | | SALEABLE | | | N/A | N/A | N/A | N/A | |
| KEY A, BLACK, W/O CPA | 33472-1896 | A-BLK | GC | PLR | | M | R | 1 | 2 | | | | | | 5 | | | | | | | | | | | | SALEABLE | | | N/A | N/A | N/A | N/A | |
| KEY A, BLACK, W/O CPA | 33472-1897 | A-BLK | GC | PLR | | M | R | | | | | | | | 5 | | | | | | | 13 | 14 | | | | SALEABLE | | | N/A | N/A | N/A | N/A | |
| KEY A, BLACK, W/O CPA | 33472-1898 | A-BLK | GC | PLR | | M | R | 1 | 2 | | | | | | 5 | | | | | | | 13 | 14 | | | | SALEABLE | | | N/A | N/A | N/A | N/A | |
| KEY A, BLACK, W/O CPA | 33472-1899 | A-BLK | GC | PLR | | M | R | | | | | | | | 5 | | 7 | 8 | 9 | 10 | 11 | 12 | 13 | 14 | | | SALEABLE | | | N/A | N/A | N/A | N/A | |
| KEY A, BLACK, W/O CPA | 33472-1900 | A-BLK | GC | PLR | | M | R | 1 | 2 | | | | | | 5 | | 7 | 8 | 9 | 10 | 11 | 12 | 13 | 14 | | | SALEABLE | | | N/A | N/A | N/A | N/A | |
| KEY A, BLACK, W/O CPA | 33472-1901 | A-BLK | GC | PLR | | M | R | | | | | | | | | | | | | 10 | 11 | | | | | | SALEABLE | | | N/A | N/A | N/A | N/A | |
| KEY A, BLACK, W/O CPA | 33472-1902 | A-BLK | GC | PLR | | M | R | | | | | | | | | | | | | | | | | | | | SALEABLE | | | N/A | N/A | N/A | N/A | |
| KEY A, BLACK, W/O CPA | 33472-1903 | A-BLK | GC | PLR | | M | R | | | | | | | | | | | | | | | | | | | | SALEABLE | | | N/A | N/A | N/A | N/A | |
| KEY A, BLACK, W/O CPA | 33472-1904 | A-BLK | GC | PLR | | M | R | | 2 | | | | | | | | | | | | | | | | | | SALEABLE | | | N/A | N/A | N/A | N/A | |
| KEY A, BLACK, W/O CPA | 33472-1905 | A-BLK | GC | PLR | | M | R | 1 | | | | | | | 5 | | | | | | | | | | | | SALEABLE | | | N/A | N/A | N/A | N/A | |
| KEY A, BLACK, W/O CPA | 33472-1906 | A-BLK | GC | PLR | | M | R | | | | | | | | | | | | | | | | | | | | SALEABLE | | | N/A | N/A | N/A | N/A | |
| KEY A, BLACK, W/O CPA | 33472-1907 | A-BLK | GC | PLR | | M | R | 1 | | | | 4 | 5 | 6 | | | | | | | | | | | | | SALEABLE | | | N/A | N/A | N/A | N/A | |
| KEY A, BLACK, W/CPA | 33472-1908 | A-BLK | GC | PLR | CPA | M | R | | | | | | | | | | | | | | | | | | | | SALEABLE | | | N/A | N/A | N/A | N/A | |
| KEY A, BLACK, W/CPA | 33472-1909 | A-BLK | GC | PLR | CPA | M | R | 1 | | | | | | | | | | | | | | | | | | | SALEABLE | | | N/A | N/A | N/A | N/A | |
| KEY A, BLACK, W/CPA | 33472-1910 | A-BLK | GC | PLR | CPA | M | R | | | | | | | | | | | | | | | | | | | | SALEABLE | | | N/A | N/A | N/A | N/A | |
| KEY A, BLACK, W/O CPA | 33472-1911 | A-BLK | GC | PLR | | M | R | | | | | | | | | | | | | | | | | | | | SALEABLE | | | N/A | N/A | N/A | N/A | |
| KEY A, BLACK, W/O CPA | 33472-1912 | A-BLK | GC | PLR | | M | R | | | | | | | | | | | | | | | | | | | | SALEABLE | | | N/A | N/A | N/A | N/A | |
| KEY A, BLACK, W/O CPA | 33472-1913 | A-BLK | GC | PLR | | M | R | | | | | | | | | | | | | | | | | | | | SALEABLE | | | N/A | N/A | N/A | N/A | |
| KEY A, BLACK, W/O CPA | 33472-1914 | A-BLK | GC | PLR | | M | R | | | | | | | | | | | | | | | | | | | | SALEABLE | | | N/A | N/A | N/A | N/A | |
| KEY A, BLACK, W/CPA | 33472-1915 | A-BLK | GC | PLR | CPA | M | R | 1 | 2 | 3 | 4 | 5 | 6 | 7 | 8 | 9 | 10 | 11 | 12 | 13 | 14 | 15 | 16 | | | SALEABLE | | | N/A | N/A | N/A | N/A | | |
| KEY A, BLACK, W/O CPA | 33472-1916 | A-BLK | GC | PLR | | M | R | 1 | | | | | | | 5 | | | | | | | | | | | | SALEABLE | | | N/A | N/A | N/A | N/A | |
| KEY A, BLACK, W/O CPA | 33472-1917 | A-BLK | GC | PLR | | M | R | | | | | | | | | | | | | | | | | | | | SALEABLE | | | N/A | N/A | N/A | N/A | |
| KEY A, BLACK, W/O CPA | 33472-1918 | A-BLK | GC | PLR | | M | R | | | | | | | | | | | | | | | | | | | | SALEABLE | | | N/A | N/A | N/A | N/A | |
| KEY A, BLACK, W/CPA | 33472-1919 | A-BLK | GC | PLR | CPA | M | R | 1 | 2 | | | | | | 5 | | | | | | | | | | | | SALEABLE | | | N/A | N/A | N/A | N/A | |
| KEY A, BLACK, W/CPA | 33472-1920 | A-BLK | GC | PLR | CPA | M | R | 1 | 2 | | | | | | 5 | 6 | 7 | 8 | 9 | 10 | 11 | 12 | 13 | 14 | 15 | | SALEABLE | | | N/A | N/A | N/A | N/A | |
| KEY A, BLACK, W/O CPA | 33472-1921 | A-BLK | GC | PLR | | M | R | | | | | | | | | | | | | | | | | | | | SALEABLE | | | N/A | N/A | N/A | N/A | |
| KEY A, BLACK, W/O CPA | 33472-1922 | A-BLK | GC | PLR | | M | R | 1 | 2 | 3 | 4 | 5 | 6 | 7 | 8 | 9 | | | | | | | | | | | SALEABLE | | | N/A | N/A | N/A | N/A | |
| KEY A, BLACK, W/O CPA | 33472-1923 | A-BLK | GC | PLR | | M | R | 1 | 2 | | | | | | | | | | | | | | | | | | SALEABLE | | | N/A | N/A | N/A | N/A | |
| KEY A, BLACK, W/O CPA | 33472-1924 | A-BLK | GC | PLR | | M | R | | | | | | | | | | | | | | | | | | | | SALEABLE | | | N/A | N/A | N/A | N/A | |
| KEY A, BLACK, W/O CPA | 33472-1925 | A-BLK | GC | PLR | | M | R | | | | | | | | | | | | | | | | | | | | SALEABLE | | | N/A | N/A | N/A | N/A | |
| KEY A, BLACK, W/O CPA | 33472-1926 | A-BLK | GC | PLR | | M | R | | | | | | | | | | | | | | | | | | | | SALEABLE | | | N/A | N/A | N/A | N/A | |
| KEY A, BLACK, W/O CPA | 33472-1927 | A-BLK | GC | PLR | | M | R | | | | | | | | | | | | | | | | | | | | SALEABLE | | | N/A | N/A | N/A | N/A | |
| KEY A, BLACK, W/O CPA | 33472-1928 | A-BLK | GC | PLR | | M | R | | | | | | | | | | | | | | | | | | | | SALEABLE | | | N/A | N/A | N/A | N/A | |
| KEY A, BLACK, W/O CPA | 33472-1929 | A-BLK | GC | PLR | | M | R | | | | | | | | | | | | | | | | | | | | SALEABLE | | | N/A | N/A | N/A | N/A | |
| KEY A, BLACK, W/O CPA | 33472-1930 | A-BLK | GC | PLR | | M | R | 1 | 2 | 3 | 4 | 5 | | | | | | | | | | | | | | | SALEABLE | | | N/A | N/A | N/A | N/A | |
| KEY A, BLACK, W/O CPA | 33472-1931 | A-BLK | GC | PLR | | M | R | 1 | | | | | | | | | | | | | | | | | | | SALEABLE | | | N/A | N/A | N/A | N/A | |
| KEY A, BLACK, W/O CPA | 33472-1932 | A-BLK | GC | PLR | | M | R | 1 | 2 | | | | | | | | | | | | | | | | | | SALEABLE | | | N/A | N/A | N/A | N/A | |
| KEY A, BLACK, W/O CPA | 33472-1933 | A-BLK | GC | PLR | | M | R | | | | | | | | | | | | | | | | | | | | SALEABLE | | | N/A | N/A | N/A | N/A | |
| KEY A, BLACK, W/O CPA | 33472-1934 | A-BLK | GC | PLR | | M | R | | | | | | | | | | | | | | | | | | | | SALEABLE | | | N/A | N/A | N/A | N/A | |
| KEY A, BLACK, W/O CPA | 33472-1935 | A-BLK | GC | PLR | | | | | | | | | | | | | | | | | | | | | | | | | | | | | | |

MX150 RECEPTACLE 2X8 SEALED ASSEMBLY MAT SEAL
BOM AND PIN OUT SHEET

| ASSEMBLY DESCRIPTION | ASSEMBLY PART NUMBER | COMPONENT | | | | | BLOCKED TERMINALS | | | | | | | | | | | | | | | | STATUS | COMMENTS | OPTIONAL ATTACHMENTS SOLD SEPERATELY | | | | | | | | | | | | |
|-----------------------|----------------------|---|-------------|-----|-----|----------|--|---|---|---|---|---|---|---|---|----|----|----|----|----|----|----|--------|----------|--------------------------------------|------------------------|-----------------------|--------------------------|-----|----------|-----|----------|-----|-----|-----|-----|-----|
| | | THE PRESENCE OF AN ABBREVIATION INDICATES THE PRESENCE OF THAT COMPONENT. | | | | | CAVITY WITH A NUMBER INDICATES BLOCKED TERMINAL POSITION CAVITY WITHOUT A NUMBER INDICATES OPEN TERMINAL POSITION | | | | | | | | | | | | | | | | | | BACKSHELL WITH RIBS | BACKSHELL WITHOUT RIBS | 90° ADAPTOR WITH RIBS | 90° ADAPTOR WITHOUT RIBS | | | | | | | | | |
| | | HOUSING KEY/COLOR | GROMMET CAP | PLR | CPA | MAT SEAL | RING SEAL | 1 | 2 | 3 | 4 | 5 | 6 | 7 | 8 | 9 | 10 | 11 | 12 | 13 | 14 | 15 | | | | | | | 16 | | | | | | | | |
| KEY A, BLACK, W/O CPA | 33472-1973 | A-BLK | GC | PLR | | M | R | 1 | 2 | 3 | 4 | 5 | 6 | 7 | 8 | 9 | | | | | | | | | | SALEABLE | | | N/A | N/A | N/A | N/A | | | | | |
| KEY A, BLACK, W/O CPA | 33472-1974 | A-BLK | GC | PLR | | M | R | | 2 | | | | | | 8 | 9 | | | | | | | | | | SALEABLE | | | N/A | N/A | N/A | N/A | | | | | |
| KEY A, BLACK, W/O CPA | 33472-1975 | A-BLK | GC | PLR | | M | R | | | | | | | | | | | | | | | | | | | SALEABLE | | | N/A | N/A | N/A | N/A | | | | | |
| KEY A, BLACK, W/O CPA | 33472-1976 | A-BLK | GC | PLR | | M | R | | 2 | | | | | | 8 | 9 | 10 | 11 | 12 | 13 | 14 | 15 | 16 | | SALEABLE | | | N/A | N/A | N/A | N/A | | | | | | |
| KEY A, BLACK, W/O CPA | 33472-1977 | A-BLK | GC | PLR | | M | R | | | | | | | | 9 | | | | | | | | | | SALEABLE | | | N/A | N/A | N/A | N/A | | | | | | |
| KEY A, BLACK, W/O CPA | 33472-1978 | A-BLK | GC | PLR | | M | R | | | | | | | | | | | | | | | | | 15 | SALEABLE | | | N/A | N/A | N/A | N/A | | | | | | |
| KEY A, BLACK, W/O CPA | 33472-1979 | A-BLK | GC | PLR | | M | R | | | | | | | | | | | | | | | | 11 | 12 | 15 | SALEABLE | | | N/A | N/A | N/A | N/A | | | | | |
| KEY A, BLACK, W/O CPA | 33472-1980 | A-BLK | GC | PLR | | M | R | 1 | | | | | | | | | | | | | | | | | SALEABLE | | | N/A | N/A | N/A | N/A | | | | | | |
| KEY A, BLACK, W/O CPA | 33472-1981 | A-BLK | GC | PLR | | M | R | | | 3 | 4 | 5 | 6 | 7 | 8 | | | | | | | | | 10 | SALEABLE | | | N/A | N/A | N/A | N/A | | | | | | |
| KEY A, BLACK, W/O CPA | 33472-1982 | A-BLK | GC | PLR | | M | R | | | | | | | | | | | | | | | | | 15 | SALEABLE | | | N/A | N/A | N/A | N/A | | | | | | |
| KEY A, BLACK, W/O CPA | 33472-1983 | A-BLK | GC | PLR | | M | R | 1 | | | | | | | | 8 | | | | | | | | 10 | 11 | SALEABLE | | | N/A | N/A | N/A | N/A | | | | | |
| KEY A, BLACK, W/O CPA | 33472-1984 | A-BLK | GC | PLR | | M | R | 1 | 2 | 3 | 4 | 5 | 6 | 7 | 8 | | | | | | | | | | SALEABLE | | | N/A | N/A | N/A | N/A | | | | | | |
| KEY A, BLACK, W/O CPA | 33472-1985 | A-BLK | GC | PLR | | M | R | 1 | | | | | | | 8 | 9 | 10 | 11 | | | | | | 15 | 16 | SALEABLE | | | N/A | N/A | N/A | N/A | | | | | |
| KEY A, BLACK, W/O CPA | 33472-1986 | A-BLK | GC | PLR | | M | R | | | | | | | | 9 | 10 | 11 | | | | | | | 15 | 16 | SALEABLE | | | N/A | N/A | N/A | N/A | | | | | |
| KEY A, BLACK, W/O CPA | 33472-1987 | A-BLK | GC | PLR | | M | R | 1 | 2 | 3 | | | | | 5 | 6 | 7 | 8 | 9 | 10 | 11 | | 13 | 14 | 15 | 16 | SALEABLE | | | N/A | N/A | N/A | N/A | | | | |
| KEY A, BLACK, W/O CPA | 33472-1988 | A-BLK | GC | PLR | | M | R | | 2 | | | | | | 6 | 7 | 8 | 9 | 10 | 11 | | | 13 | 14 | 15 | 16 | SALEABLE | | | N/A | N/A | N/A | N/A | | | | |
| KEY A, BLACK, W/O CPA | 33472-1989 | A-BLK | GC | PLR | | M | R | | | | | | | | | | | | | | | | | | 16 | SALEABLE | | | N/A | N/A | N/A | N/A | | | | | |
| KEY A, BLACK, W/O CPA | 33472-1990 | A-BLK | GC | PLR | | M | R | | | | | | | | | | | | | | | | | | 16 | SALEABLE | | | N/A | N/A | N/A | N/A | | | | | |
| KEY A, BLACK, W/O CPA | 33472-1991 | A-BLK | GC | PLR | | M | R | 1 | | | | | | | | | | | | | | | | | | SALEABLE | | | N/A | N/A | N/A | N/A | | | | | |
| KEY A, BLACK, W/O CPA | 33472-1992 | A-BLK | GC | PLR | | M | R | | | | | | | | | | | | | | | | | | | SALEABLE | | | N/A | N/A | N/A | N/A | | | | | |
| KEY A, BLACK, W/O CPA | 33472-1993 | A-BLK | GC | PLR | | M | R | | | | | | | | | | | | | | | | | | | SALEABLE | | | N/A | N/A | N/A | N/A | | | | | |
| KEY A, BLACK, W/O CPA | 33472-1994 | A-BLK | GC | PLR | | M | R | | | | | | | | | | | | | | | | | | | SALEABLE | | | N/A | N/A | N/A | N/A | | | | | |
| KEY A, BLACK, W/O CPA | 33472-1995 | A-BLK | GC | PLR | | M | R | | | | | | | | | | | | | | | | | | | SALEABLE | | | N/A | N/A | N/A | N/A | | | | | |
| KEY A, BLACK, W/O CPA | 33472-1996 | A-BLK | GC | PLR | | M | R | 1 | 2 | | | | | | | 6 | 7 | 8 | 9 | 10 | | | | | 12 | 13 | 14 | 15 | 16 | SALEABLE | | | N/A | N/A | N/A | | |
| KEY A, BLACK, W/O CPA | 33472-1997 | A-BLK | GC | PLR | | M | R | 1 | 2 | | | | | | | | | | | | | | | | | SALEABLE | | | N/A | N/A | N/A | N/A | | | | | |
| KEY A, BLACK, W/O CPA | 33472-1998 | A-BLK | GC | PLR | | M | R | | | | | | | | | | | | | | | | | | | SALEABLE | | | N/A | N/A | N/A | N/A | | | | | |
| KEY A, BLACK, W/O CPA | 33472-1999 | A-BLK | GC | PLR | | M | R | | | | | | | | | | | | | | | | | | | SALEABLE | | | N/A | N/A | N/A | N/A | | | | | |
| KEY A, BLACK, W/CPA | 33472-8001 | A-BLK | GC | PLR | CPA | M | R | 1 | 2 | 3 | 4 | 5 | 6 | 7 | 8 | | | | | | | | | | 10 | 11 | 12 | 13 | 14 | 15 | 16 | SALEABLE | | | N/A | N/A | N/A |
| KEY A, BLACK, W/CPA | 33472-8002 | A-BLK | GC | PLR | CPA | M | R | | | | | | | | | | | | | | | | | | | SALEABLE | | | N/A | N/A | N/A | N/A | | | | | |
| KEY A, BLACK, W/CPA | 33472-8003 | A-BLK | GC | PLR | CPA | M | R | 1 | 2 | 3 | 4 | 5 | 6 | 7 | 8 | | | | | | | | | | | SALEABLE | | | N/A | N/A | N/A | N/A | | | | | |
| KEY A, BLACK, W/CPA | 33472-8004 | A-BLK | GC | PLR | | M | R | | 2 | | | | | | | | | | | | | | | | | SALEABLE | | | N/A | N/A | N/A | N/A | | | | | |
| KEY A, BLACK, W/CPA | 33472-8005 | A-BLK | GC | PLR | | M | R | 1 | 2 | 3 | 4 | 5 | 6 | 7 | 8 | | | | | | | | | | | SALEABLE | | | N/A | N/A | N/A | N/A | | | | | |
| KEY A, BLACK, W/CPA | 33472-8006 | A-BLK | GC | PLR | | M | R | 1 | | | | | | | | | | | | | | | | | | SALEABLE | | | N/A | N/A | N/A | N/A | | | | | |
| KEY A, BLACK, W/CPA | 33472-8007 | A-BLK | GC | PLR | | M | R | 1 | | | | | | | | | | | | | | | | | | SALEABLE | | | N/A | N/A | N/A | N/A | | | | | |
| KEY A, BLACK, W/CPA | 33472-8008 | A-BLK | GC | PLR | CPA | M | R | 1 | 2 | 3 | 4 | 5 | 6 | 7 | 8 | | | | | | | | | | | SALEABLE | | | N/A | N/A | N/A | N/A | | | | | |
| KEY A, BLACK, W/CPA | 33472-8009 | A-BLK | GC | PLR | CPA | M | R | | | | | | | | | | | | | | | | | | | SALEABLE | | | N/A | N/A | N/A | N/A | | | | | |
| KEY A, BLACK, W/CPA | 33472-8010 | A-BLK | GC | PLR | CPA | M | R | 1 | 2 | 3 | 4 | 5 | 6 | 7 | 8 | | | | | | | | | | | SALEABLE | | | N/A | N/A | N/A | N/A | | | | | |
| KEY A, BLACK, W/CPA | 33472-8011 | A-BLK | GC | PLR | CPA | M | R | | | | | | | | | | | | | | | | | | | SALEABLE | | | N/A | N/A | N/A | N/A | | | | | |
| KEY A, BLACK, W/CPA | 33472-8012 | A-BLK | GC | PLR | CPA | M | R | | | | | | | | | | | | | | | | | | | SALEABLE | | | N/A | N/A | N/A | N/A | | | | | |
| KEY A, BLACK, W/CPA | 33472-8013 | A-BLK | GC | PLR | CPA | M | R | 1 | 2 | | | | | | | | | | | | | | | | | SALEABLE | | | N/A | N/A | N/A | N/A | | | | | |
| KEY A, BLACK, W/CPA | 33472-8014 | A-BLK | GC | PLR | CPA | M | R | | | | | | | | | | | | | | | | | | | SALEABLE | | | N/A | N/A | N/A | N/A | | | | | |
| KEY A, BLACK, W/O CPA | 33472-8015 | A-BLK | GC | PLR | | M | R | 1 | | | | | | | | | | | | | | | | | | SALEABLE | | | N/A | N/A | N/A | N/A | | | | | |
| KEY A, BLACK, W/O CPA | 33472-8016 | A-BLK | GC | PLR | | M | R | | | | | | | | | | | | | | | | | | | SALEABLE | | | N/A | N/A | N/A | N/A | | | | | |
| KEY A, BLACK, W/O CPA | 33472-8017 | A-BLK | GC | PLR | | M | R | 1 | 2 | | | | | | | | | | | | | | | | | SALEABLE | | | N/A | N/A | N/A | N/A | | | | | |
| KEY A, BLACK, W/O CPA | 33472-8018 | A-BLK | GC | PLR | | M | R | 1 | | | | | | | | | | | | | | | | | | SALEABLE | | | N/A | N/A | N/A | N/A | | | | | |
| KEY A, BLACK, W/O CPA | 33472-8019 | A-BLK | GC | PLR | | M | R | | | | | | | | | | | | | | | | | | | SALEABLE | | | N/A | N/A | N/A | N/A | | | | | |
| KEY A, BLACK, W/O CPA | 33472-8020 | A-BLK | GC | PLR | | M | R | | | | | | | | | | | | | | | | | | | SALEABLE | | | N/A | N/A | N/A | N/A | | | | | |
| KEY A, BLACK, W/CPA | 33472-8021 | A-BLK | GC | PLR | CPA | M | R | | | | | | | | | | | | | | | | | | | SALEABLE | | | N/A | N/A | N/A | N/A | | | | | |
| KEY A, BLACK, W/CPA | 33472-8022 | A-BLK | GC | PLR | CPA | M | R | | | | | | | | | | | | | | | | | | | SALEABLE | | | N/A | N/A | N/A | N/A | | | | | |
| KEY A, BLACK, W/CPA | 33472-8023 | A-BLK | GC | PLR | CPA | M | R | | | | | | | | | | | | | | | | | | | SALEABLE | | | N/A | N/A | N/A | N/A | | | | | |
| KEY A, BLACK, W/CPA | 33472-8024 | A-BLK | GC | PLR | CPA | M | R | | | | | | | | | | | | | | | | | | | SALEABLE | | | N/A | N/A | N/A | N/A | | | | | |
| KEY A, BLACK, W/CPA | 33472-8025 | A-BLK | GC | PLR | CPA | M | R | | | | | | | | | | | | | | | | | | | SALEABLE | | | N/A | N/A | N/A | N/A | | | | | |
| KEY A, BLACK, W/CPA | 33472-8026 | A-BLK | GC | PLR | CPA | M | R | | | | | | | | | | | | | | | | | | | SALEABLE | | | N/A | N/A | N/A | N/A | | | | | |
| KEY A, BLACK, W/CPA | 33472-8027 | A-BLK | GC | PLR | CPA | M | R | | | | | | | | | | | | | | | | | | | SALEABLE | | | N/A | N/A | N/A | N/A | | | | | |
| KEY A, BLACK, W/CPA | 33472-8028 | A-BLK | GC | PLR | CPA | M | R | 1 | 2 | 3 | 4 | 5 | 6 | 7 | 8 | | | | | | | | | | | SALEABLE | | | N/A | N/A | N/A | N/A | | | | | |
| KEY A, BLACK, W/O CPA | 33472-8029 | A-BLK | GC | PLR | | M | R | 1 | 2 | | | | | | | | | | | | | | | | | SALEABLE | | | N/A | N/A | N/A | N/A | | | | | |
| KEY A, BLACK, W/O CPA | 33472-8030 | A-BLK | GC | PLR | | M | R | | | | | | | | | | | | | | | | | | | SALEABLE | | | N/A | N/A | N/A | N/A | | | | | |
| KEY A, BLACK, W/O CPA | 33472-8031 | A-BLK | GC | PLR | | M | R | | | | | | | | | | | | | | | | | | | SALEABLE | | | N/A | N/A | N/A | N/A | | | | | |
| KEY A, BLACK, W/O CPA | 33472-8032 | A-BLK | GC | PLR | | M | R | 1 | 2 | 3 | 4 | 5 | 6 | 7 | 8 | 9 | 10 | 11 | 12 | 13 | 14 | 15 | 16 | | SALEABLE | | | N/A | N/A | N/A | N/A | | | | | | |
| KEY A, BLACK, W/CPA | 33472-8033 | A-BLK | GC | PLR | CPA | M | R | | | | | | | | | | | | | | | | | | | SALEABLE | | | N/A | N/A | N/A | N/A | | | | | |
| KEY A, BLACK, W/O CPA | 33472-8034 | A-BLK | GC | PLR | | M | R | 1 | 2 | 3 | 4 | 5 | 6 | 7 | 8 | 9 | 10 | 11 | | | | | | | | SALEABLE | | | N/A | N/A | N/A | N/A | | | | | |
| KEY A, BLACK, W/O CPA | 33472-8035 | A-BLK | GC | PLR | | M | R | | | | | | | | | | | | | | | | | | | SALEABLE | | | N/A | N/A | N/A | N/A | | | | | |
| KEY A, BLACK, W/O CPA | 33472-8036 | A-BLK | GC | PLR | | M | R | | | | | | | | | | | | | | | | | | | SALEABLE | | | N/A | N/A | N/A | N/A | | | | | |
| | | | | | | | | | | | | | | | | | | | | | | | | | | | | | | | | | | | | | |

