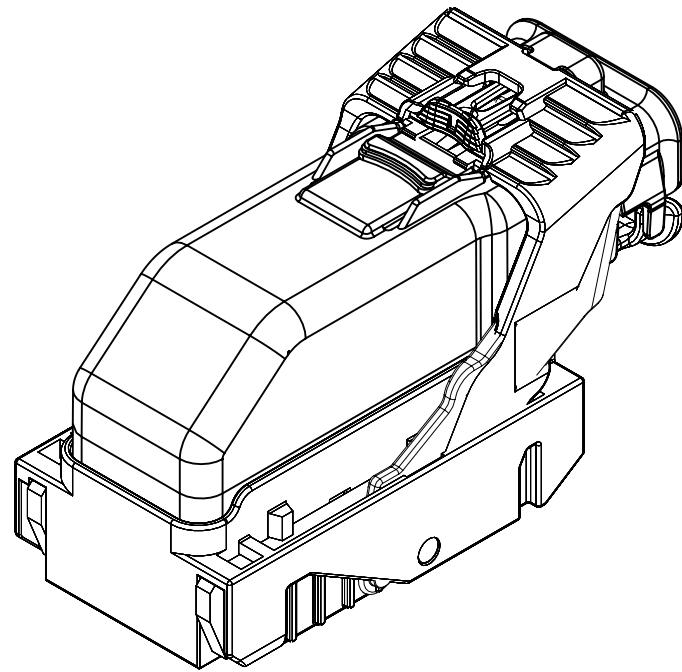

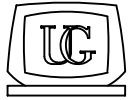


INDEX	
PAGE TITLE	PAGE
TITLE BLOCK	1
REVISION BLOCK	2
PART BLOCK	3
KPC BLOCK	4
COMPONENT TABLE	5
NOTES	6
NOTES	7
WIRE DRESS PACKAGING DIMENSIONS	8
LOCATION AND PACKAGING DIMENSIONS REFERENCING INTERFACE DATUMS B & C	9
LOCATION AND PACKAGING DIMENSIONS REFERENCING INTERFACE DATUM A	10
KEY ID REF - WIRE DRESS OPTION 0	11
KEY ID REF - WIRE DRESS OPTION 9	12
CIRCUIT CONFIGURATIONS	13
CIRCUIT CONFIGURATIONS	14
COMPONENT CONNECTOR INTERFACE	15
COMPONENT CONNECTOR INTERFACE	16
COMPONENT CONNECTOR INTERFACE	17
COMPONENT CONNECTOR INTERFACE	18
COMPONENT CONNECTOR INTERFACE	19
COMPONENT CONNECTOR INTERFACE	20
COMPONENT CONNECTOR INTERFACE	21



ISO VIEW

	<p>UNLESS OTHERWISE SPECIFIED: THIS DOCUMENT IS IN ACCORDANCE WITH ASME Y14.5M-1994 AS AMMENDED BY THE GM GLOBAL DIMENSIONING AND TOLERANCING ADDENDUM-1997. ALL GEOMETRIC TOLERANCES AND RELATED DATUMS APPLY RFS. RULE #1 (PERFECT FORM AT MMC) DOES NOT APPLY WHEN A RELATIONSHIP BETWEEN FEATURES IS ESTABLISHED BY ORIENTATION OR LOCATION TOLERANCES. SEPARATE POSITION CALLOUTS MAY BE GAGED SEPARATELY REGARDLESS OF DATUM REFERENCES.</p>			DATE						
	 CHANGE RESTRICTED NO MANUAL CHANGES	REFERENCE 12H (MOLEX AUTOMOTIVE)	DRAFTER J SZYMKOWSKI APVD1 D PFAFFINGER APVD2 B BURT APVD3 APVD4 APVD5	22DE05 22DE05 22DE05 						
DO NOT SCALE	DRAWING NAME HARNESS CONN ASM 66/73/80 CKTS									
METRIC DIMENSIONS SHOWN IN MILLIMETERS UNLESS OTHERWISE SPECIFIED	DRAWING NUMBER 12642695		DWG STATUS <table border="1"> <tr> <td>ST</td> <td>REV</td> <td>PD1</td> </tr> <tr> <td>R</td> <td>002</td> <td></td> </tr> </table>		ST	REV	PD1	R	002	
ST	REV	PD1								
R	002									
			PAGE NUMBER 1 OF 21							

PAGE	DWG STATUS					REVISION HISTORY	AUTH	DR	CK	ENG
	DATE	ST	REV	CHG	PDI					
	19DE11	R	001			RELEASED TO PRODUCTION AT DLS A	CRMRJB	SC	MRO	GF
3	08MY15	R	002	A		REORDERED PART BLOCK AND ADDED MASS CORRECTED P/N TYPO FROM 12562676 TO 12582676				
3, 5		R	002	B		ADDED 12659312, 12659313, 12653574 AND 12653575				
6		R	002	C		REMOVED NOTE 1 . D . 3 . C				
20		R	002	D		DIM 125 WAS 3.25 DIM 131 WAS 5.5	CRMRJD	DFK	MRO	GF

PAGE	DWG STATUS					REVISION HISTORY	AUTH	DR	CK	ENG
	DATE	ST	REV	CHG	PDI					

KEY PRODUCT CHARACTERISTICS
(IN ACCORDANCE WITH QN 1805 OR ON 1050)



SAFETY/COMPLIANCE

TOTAL ON
DRAWING

5



FIT/FUNCTION

LAST NO.
USED

5

NO	TYPE	DESCRIPTION	RATIONALE	PAGE/ZONE
1	F/F	32.68	IMPROVE CONNECTOR SYSTEM MATING	15
2	F/F	29.00	INSURE PROPER RELEASE OF LEVER	15
3	F/F	15.25	INSURE FINAL MATE POSITION	16
5	F/F	POSITIONAL TOLERANCE (2 PLACES)	INSURE CONNECTOR SYSTEM MATEABILITY	19



PAGE TITLE
KPC BLOCK

DRAWING NUMBER

12642695

DWG STATUS

ST	REV	PD1
----	-----	-----

R	002	
---	-----	--


PAGE NUMBER

4 OF 21

LINE	MFG.	MFG. P/N	GM P/N	EFFECTIVE DATE	APPLICABLE COMPONENTS		KEY OPTION	WIRE DRESS OPTION	KEY CONFIG.	COLOR	STATUS
						DESCRIPTION					
-											
1	MOLEX	34565-0003	12582676	02JN03		MX123 DRESS COVER 66/73/80 CKT	N/A	N/A	N/A	BLACK	AVAILABLE
2	MOLEX	34822-0013	12642692	01SP13		MX123 HRNS CONN ASSY 66 CKT	A	0	1458	BLACK	AVAILABLE
3	MOLEX	34822-0033	12659312	01SP13		MX123 HRNS CONN ASSY 66 CKT	C	0	2467	BLUE	AVAILABLE
4	MOLEX	34822-0023	12642693	01SP13		MX123 HRNS CONN ASSY 66 CKT	A	9	1458	BLACK	AVAILABLE
5	MOLEX	34822-0043	12659313	01SP13		MX123 HRNS CONN ASSY 66 CKT	C	9	2467	BLUE	AVAILABLE
6	MOLEX	34566-0103	12582677	11JN04		MX123 HRNS CONN ASSY 73 CKT	A	0	1458	BLACK	AVAILABLE
7	MOLEX	34566-0203	12582678	11JN04		MX123 HRNS CONN ASSY 73 CKT	B	0	1468	ST GRAY	AVAILABLE
8	MOLEX	34566-0303	12615654	09AP08		MX123 HRNS CONN ASSY 73 CKT	C	0	2467	BLUE	AVAILABLE
9	MOLEX	34566-0403	12647268	T.B.D		MX123 HRNS CONN ASSY 73 CKT	D	0	2367	BROWN	NOT ACTIVE
10	MOLEX	34566-0503	AMJ28633	T.B.D		MX123 HRNS CONN ASSY 73 CKT	E	0	2468	GREEN	NOT ACTIVE
11	MOLEX	34566-0603	12653574	05DC14		MX123 HRNS CONN ASSY 73 CKT	F	0	1357	NATURAL	AVAILABLE
12	MOLEX	34566-0703	12588057	09AP08		MX123 HRNS CONN ASSY 80 CKT	G	0	1358	BLUE	AVAILABLE
13	MOLEX	34566-0803	12588058	11JN04		MX123 HRNS CONN ASSY 80 CKT	H	0	2458	ST GRAY	AVAILABLE
14	MOLEX	34566-0903	12615656	T.B.D		MX123 HRNS CONN ASSY 80 CKT	J	0	2457	BLACK	NOT ACTIVE
15	MOLEX	34566-1003	AMJ28595	T.B.D		MX123 HRNS CONN ASSY 80 CKT	K	0	2357	BROWN	NOT ACTIVE
16	MOLEX	34566-1103	AMJ29057	T.B.D		MX123 HRNS CONN ASSY 80 CKT	L	0	2368	GREEN	NOT ACTIVE
17	MOLEX	34566-1203	AMJ28669	T.B.D		MX123 HRNS CONN ASSY 80 CKT	M	0	2358	NATURAL	NOT ACTIVE
18	MOLEX	34566-1303	12603596	11JN04		MX123 HRNS CONN ASSY 73 CKT	A	9	1458	BLACK	AVAILABLE
19	MOLEX	34566-1403	12603597	11JN04		MX123 HRNS CONN ASSY 73 CKT	B	9	1468	ST GRAY	AVAILABLE
20	MOLEX	34566-1503	12615655	09AP08		MX123 HRNS CONN ASSY 73 CKT	C	9	2467	BLUE	AVAILABLE
21	MOLEX	34566-1603	12647269	T.B.D		MX123 HRNS CONN ASSY 73 CKT	D	9	2367	BROWN	NOT ACTIVE
22	MOLEX	34566-1703	AMJ28698	T.B.D		MX123 HRNS CONN ASSY 73 CKT	E	9	2468	GREEN	NOT ACTIVE
23	MOLEX	34566-1803	12653575	05DC14		MX123 HRNS CONN ASSY 73 CKT	F	9	1357	NATURAL	AVAILABLE
24	MOLEX	34566-1903	12603598	09AP08		MX123 HRNS CONN ASSY 80 CKT	G	9	1358	BLUE	AVAILABLE
25	MOLEX	34566-2003	12603599	11JN04		MX123 HRNS CONN ASSY 80 CKT	H	9	2458	ST GRAY	AVAILABLE
26	MOLEX	34566-2103	12615657	T.B.D		MX123 HRNS CONN ASSY 80 CKT	J	9	2457	BLACK	NOT ACTIVE
27	MOLEX	34566-2203	AMJ29117	T.B.D		MX123 HRNS CONN ASSY 80 CKT	K	9	2357	BROWN	NOT ACTIVE
28	MOLEX	34566-2303	AMJ29136	T.B.D		MX123 HRNS CONN ASSY 80 CKT	L	9	2368	GREEN	NOT ACTIVE
29	MOLEX	34566-2403	AMJ29214	T.B.D		MX123 HRNS CONN ASSY 80 CKT	M	9	2358	NATURAL	NOT ACTIVE
30	MOLEX	34736-2002	12642697	01AU10		MX64 RCPT TERM Ag 18/20 GAGE B (RIGHT PAYOFF)	N/A	N/A	N/A	N/A	AVAILABLE
31	MOLEX	34736-2001	12642696	01AU10		MX64 RCPT TERM Ag 22 GAGE B (RIGHT PAYOFF)	N/A	N/A	N/A	N/A	AVAILABLE
32	MOLEX	34586-0001	T.B.D.	11JN04		MX123 0.64MM GROMMET PLUG	N/A	N/A	N/A	NATURAL	AVAILABLE
33	YAZAKI	7116-4150-02	12588066	02JN03		2.8mm YESC SEALED FEMALE TERMINAL TIN 20/22 GAGE (CABLE RANGE 0.30mm-0.60mm)	N/A	N/A	N/A	N/A	NOT ACTIVE
34	YAZAKI	7116-4151-02	12588067	02JN03		2.8mm YESC SEALED FEMALE TERMINAL TIN 16/18 GAGE (CABLE RANGE 0.75mm-1.40mm)	N/A	N/A	N/A	N/A	NOT ACTIVE
35	YAZAKI	7116-4152-02	12582685	02JN03		2.8mm YESC SEALED FEMALE TERMINAL TIN 14 GAGE (CABLE RANGE 1.50mm-2.50mm)	N/A	N/A	N/A	N/A	AVAILABLE
36	YAZAKI	7158-3111-60	12588068	02JN03		2.8mm CABLE SEAL (wire O.D. range 1.20mm-1.90mm)	N/A	N/A	N/A	GREEN	NOT ACTIVE
37	YAZAKI	7158-3112-70	12588069	02JN03		2.8mm CABLE SEAL (wire O.D. range 1.80mm-2.30mm)	N/A	N/A	N/A	YELLOW	NOT ACTIVE
38	YAZAKI	7158-3113-40	12582686	02JN03		2.8mm CABLE SEAL (wire O.D. range 2.18mm-3.00mm)	N/A	N/A	N/A	WHITE	AVAILABLE
39	YAZAKI	7158-3114-90	T.B.D	02JN03		2.8mm YESC CAVITY PLUG	N/A	N/A	N/A	BLUE	AVAILABLE
40	MOLEX	63811-4200	XX019825	02JN03		MX64 TERM HAND CRIMP TOOL	N/A	N/A	N/A	N/A	AVAILABLE
41	MOLEX	63813-1400	XX019826	02JN03		MX64 TERM SERVICE TOOL	N/A	N/A	N/A	N/A	AVAILABLE
42	MOLEX	63865-8000	XX019827	02JN03		MX64 CRIMP APPLICATOR with TOOL KIT 18/20 GAGE PAYOFF DIRECTION D (left payoff) (contact Molex for payoff detail)	N/A	N/A	N/A	N/A	AVAILABLE
43	MOLEX	63865-8070	XX019828	02JN03		MX64 APPLICATOR TOOL KIT 18/20 GAGE	N/A	N/A	N/A	N/A	AVAILABLE
44	MOLEX	63865-8100	XX019829	02JN03		MX64 CRIMP APPLICATOR with TOOL KIT 22 GAGE PAYOFF DIRECTION D (left payoff) (contact Molex for payoff detail)	N/A	N/A	N/A	N/A	AVAILABLE
45	MOLEX	63865-8170	XX019830	02JN03		MX64 APPLICATOR TOOL KIT 22 GAGE	N/A	N/A	N/A	N/A	AVAILABLE
46	SPX	J35616-64	T.B.D.	02JN03		0.64mm PROBE TOOL (for rcpt)	N/A	N/A	N/A	N/A	AVAILABLE
47	SPX	J35616-64A	T.B.D.	02JN03		0.64mm PROBE TOOL WITH EXT (for rcpt)	N/A	N/A	N/A	N/A	AVAILABLE
48	SPX	J35616-65	T.B.D.	02JN03		0.64mm PROBE TOOL WITH EXT (for pin)	N/A	N/A	N/A	N/A	AVAILABLE
49	SPX	J35616-4A	T.B.D.	02JN03		2.8mm PROBE TOOL (for rcpt)	N/A	N/A	N/A	N/A	AVAILABLE
50	YAZAKI	X39899-J374	12094430	02JN03		2.8mm TERM SERVICE TOOL	N/A	N/A	N/A	N/A	AVAILABLE

002B

* - MX123 DRESS COVER 73/80/66 CKT MATES TO ANY MX123 HARN CONN ASSY SHOWN ON TABLE ABOVE

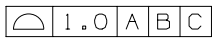
	PAGE TITLE	DRAWING NUMBER	DWG STATUS			PAGE NUMBER
	COMPONENT TABLE	12642695	ST	REV	PDI	5 OF 21
			R	002		

NOTES: UNLESS OTHERWISE SPECIFIED

1. MATERIAL FOR INTERFACE:

- A. RESIN:
 - 1. 30% G.F. PBT; 20% MAX. (BY WEIGHT) REGRIND.
 - 2. MATING CONNECTOR INTERFACE PART COLOR MUST BE SAME AS MATCHING KEYED HARNESS CONNECTOR ASSEMBLY.
 - 3. MUST BE VALIDATED FOR INDIVIDUAL DEVICE APPLICATION REQUIREMENTS.
- B. 0.64MM PINS:
 - 1. BASE MATERIAL: COPPER ALLOY; CONDUCTIVITY >= 28% IACS AT 20°C; TENSILE STRENGTH >= 635 N/mm²; SURFACE ROUGHNESS R_a 6 MAX.
 - 2. PLATING FINISH: SILVER (Ag). PLATING TO BE 1.9-3.3 μm ELECTRODEPOSITED SEMI-BRIGHT SILVER OVER 1.25-2.25 μm DUCTILE SULPHAMATE NICKEL PER NOTE 1(D).
 - 3. ANTI-TARNISH: SYNTHETIC HYDROCARBON CONTACT SURFACE FINISH OR EQUIVALENT APPLIED WITHOUT VOID TO CONTACT AREA (MIN 3.7mm FROM PIN TIP).
- C. 2.8MM BLADE:
 - 1. BASE MATERIAL: COPPER ALLOY; CONDUCTIVITY >= 28% IACS AT 20°C; TENSILE STRENGTH >= 350 N/mm²; SURFACE ROUGHNESS R_a 6 MAX.
 - 2. PLATING FINISH: TIN. PLATING TO BE 2.5-5.0 μm ELECTRODEPOSITED TIN, MATTE FINISH OVER 1.25-2.5 μm DUCTILE SULPHAMATE NICKEL PER NOTE 1(D).
- D. PLATING REQUIREMENTS:
 - 1. SILVER PLATING
 - a. 99.5% PURE SEMI-BRIGHT WITH NO ORGANIC BRIGHTNERS OR CHROMATES.
 - 2. NICKEL PLATING
 - a. ELECTRODEPOSITED DUCTILE SULFAMATE NICKEL WITH A NON-BRIGHTENED FINISH. NO ORGANIC OR BRIGHTENING AGENTS SHALL BE ALLOWED.
 - b. SHALL ONLY BE USED AS AN UNDERLYING PLATING AND MAY NOT BE USED AS AN ELECTRICAL CONTACT SURFACE PLATING.
 - c. SHALL BE NODULE FREE WHEN VIEWED AT 10X MAGNIFICATION IN MEASURED IN CONTACT SURFACE AREA PLUS 0.5MM PERIMETER AROUND THE CONTACT SURFACE AREA.
 - d. ALL PLATINGS SHALL HAVE A 1.0% MAXIMUM BY WEIGHT IMPURITIES. IMPURITIES ARE DEFINED AS ALL ELEMENTS NOT THE PRIMARY PLATING OR HARDENING AGENT IF APPLICABLE, AS DETERMINED BY WET CHEMICAL ANALYSIS OR AUGER METHOD. NO SINGLE IMPURITY SHALL EXCEED 0.1% MAXIMUM BY WEIGHT.
 - 3. TESTING
 - a. THICKNESS TO BE MEASURED IN CONTACT SURFACE AREA PLUS 0.5MM PERIMETER AROUND THE CONTACT SURFACE AREA AS DESIGNATED IN THE DRAWING. THICKNESS SHALL BE DETERMINED BY METHOD OF X-RAY (XRF).
 - b. PLATING ADHESION SHALL BE TESTED BY A BEND TEST FOR ALL METALS. THE TEST SAMPLE SHALL BE BENT 90 DEGREES TO DETERMINE DEPOSIT ADHESION. TESTING SHALL BE COMPLETED IN ACCORDANCE WITH ASTM SPEC B571.


2. DESIGN - GENERAL:

- A. THIS IS A 100% CAD GENERATED PART. THE CAD MATHEMATICAL DATA IS THE MASTER FOR THIS PART. FOR DIMENSIONAL OR ANY INFORMATION NOT SHOWN ON THIS DRAWING, ANALYZE THE CAD MODEL.
- B. TOLERANCES:
 - 1. LINEAR
 - 0.X ± 0.30
 - 0.XX ± 0.10
 - 0.XXX ± 0.10
 - 2. ANGULAR X° ± 3°
 - 3. 
- C. MINIMUM WALL THICKNESS REQUIRED: 1.3mm.
- D. CORNERS SHOWN AS SHARP TO BE R 0.2 MAX.
- E. LETTERING SHALL BE 0.15 MAX RAISED IN 0.20 MAX RECESS PAD. THIS INCLUDES MATERIAL CODE, RECYCLING CODE, CAVITY ID AND DATE CODE.
- F-1. PARTS MUST BE FREE OF DISCOLORATION, SALT RESIDUE AND OTHER IMPERFECTIONS THAT AFFECT FIT OR FUNCTION.
- F-2. SCRATCHES OR DENTS NOT TO EXCEED 0.013mm IN DEPTH.
- G. FOLLOWING PRODUCTION CODES TO BE PERMANENTLY MARKED & HUMAN READABLE TO A LETTER HEIGHT OF 1.5 ± 0.5MM X 0.3 MAX DEEP
 - 1. MATERIAL #: XXXXX-XXXX
 - 2. DATE CODE: JJYY (JULIAN DAY, LAST DIGIT OF YEAR)
 - 3. INSPECTION MACHINE CODE + SERIAL #: X_XXXXX

3. DESIGN - MANUFACTURING:

- A. DRAFT TO BE WITHIN TOLERANCE.
- B. ALLOWABLE FLASH MAX 0.2 HIGH X MAX 0.13 THICK.
- C. ALLOWABLE PARTING LINE MISMATCH 0.2 MAX.
- D. EJECTOR PINS MARK TO BE FLUSH TO 0.25 MAX DEPRESSED.
- E. ALLOWABLE GATE VESTIGE FLUSH TO 0.25 MAX PROTRUSION.
- F. NO EXTERNAL MOLD RELEASE AGENT ALLOWED DURING MANUFACTURING.
- G. STEEL THAT FORMS THE INDICATED SURFACE MUST BE POLISHED WITH A DIAMOND FINISH (SPI A-2) OVER THE FULL PERIPHERY OF THE TOOL. SURFACE MUST HAVE NO MISMATCH.
- H. ANY PROCESS LUBRICANT REMAINING ON THE TERMINAL MUST NOT VARNISH OR DEGRADE IT'S ELECTRICAL PERFORMANCE UP TO A MAXIMUM CLASS AMBIENT TEMPERATURE PER SAE USCAR-2 FOR 1008 HOURS. PROCESS LUBRICANTS SHOULD BE APPROVED BY THE RESPONSIBLE ENGINEER.
- J. OPTIONAL FEATURES PROVIDED FOR AUTOMATION.
- K. PART MUST BE FREE FROM BURRS AND SHARP EDGES, WHICH MIGHT BE DETRIMENTAL TO SATISFACTORY ASSEMBLY, SAFE HANDLING OR FUNCTION OF PART.
- L. PARTS AS DELIVERED TO ASSEMBLY SHALL BE CLEAN AND FREE OF DEBRIS, RESIDUAL ABRASIVE MATERIAL AND CORROSION PRODUCTS ADVERESLY AFFECTING FUNCTION OR APPEARANCE.
- M. RESTRICTED AND REPORTABLE SUBSTANCES FOR PARTS PER GMW3059.

002C

	PAGE TITLE	DRAWING NUMBER 12642695	DWG STATUS			PAGE NUMBER 6 OF 21
	NOTES		ST	REV	PDI	
			R	002		

NOTES: UNLESS OTHERWISE SPECIFIED

4. SYSTEM REQUIREMENTS:

A. HARNESS CONNECTOR IS COMPATIBLE WITH THE FOLLOWING SAE WIRE SIZE NO'S:

- 14, MEETING SAE J1128
- 18, MEETING SAE J1128, MAX O.D. OF 2.06 MM
- 20, MEETING SAE J1128
- 22, MEETING SAE J1128, MIN O.D. OF 1.47 MM

B. CABLE TIE SPECIFICATIONS:

- 1. CABLE TIE:
 - TENSILE RATING: 220N / (50lbs) MIN
 - TIE LENGTH: 186mm MIN
 - TIE WIDTH: 4.75mm MAX
 - MATERIAL: NYLON
- 2. INSTALLATION:
 - CABLE TIE TENSION: 190N MIN
- 3. DRESSED WIRE BUNDLE PACKAGING: SEE FIG. 1

C. WHEN MATED WITH COMPONENT CONNECTOR INTERFACE AND/OR DRESS COVER, HARNESS CONNECTOR SYSTEM CONFORMS TO THE FOLLOWING:

- 1. SAE/USCAR-2, REV: 3 APRIL, 2001; CLASS 3
- 2. FIELD CORRELATED LIFE TEST, SAE/USCAR-20, NOV. 2001
- 3. GMW #3191 AUGUST 22, 2000 (DRAFT); TEMPERATURE CLASS 3, SEALING CLASS 1, VIBRATION CLASS 2
- 4. RESTRICTED AND REPORTABLE CHEMICALS PER GMW #3059, REV: D AUGUST 2002
- 5. TPA USER FORCES (FULLY POPULATED WITH TERMINALS)
 - a. REMOVAL FROM LOCK TO PRE-SET: <=120N

D. WIRE SPECIFICATIONS:

- 1. WIRE SURFACE MUST BE FREE OF SCRATCHES, GROOVES OR DENTS WHERE FUNCTIONAL

5. TERMINAL CURRENT RATINGS:

ALL TESTING DONE IN ACCORDANCE WITH USCAR-2 REV5 SECTION 5.3

A. MX64 RCPT TERM

- 1. MX64 RCPT TERM Ag 18/20 GAGE CRIMPED TO SAE WIRE SIZE NO.18 AND MATED TO MX123 0.64MM PIN: 11.3 AMPS
- 2. MX64 RCPT TERM Ag 22 GAGE CRIMPED TO SAE WIRE SIZE NO.22 AND MATED TO MX123 0.64MM PIN:8.5 AMPS

WIRE	CURRENT RATING			
	23°C	85°C	105°C	125°C
18AWG	11.3A	11.3A	9.5A	6.6A
20AWG	10.0A	10.0A	8.3A	5.7A
22AWG	8.6A	8.6A	7.1A	5.0A

B. 2.8MM RCPT TERM

- 1. 2.8MM RCPT TERM TIN 14 GAGE CRIMPED TO SAE WIRE SIZE NO.14 AND MATED TO MX123 2.8MM BLADE: 25.6 AMPS

6. CONTACT MOLEX AUTOMOTIVE FOR AVAILABLE CUSTOM PATTERNS OF CAVITIES OPEN FOR CIRCUITS



PAGE TITLE
NOTES

DRAWING NUMBER

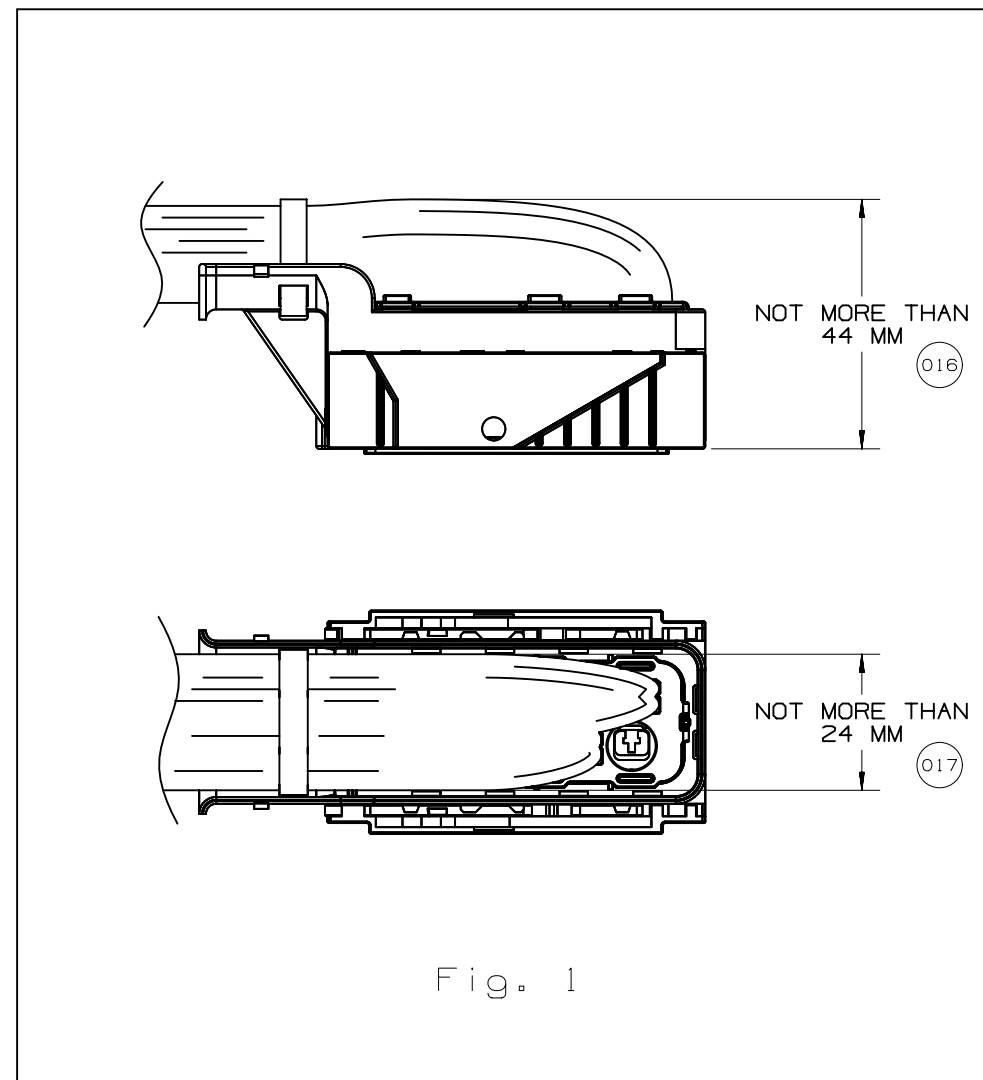
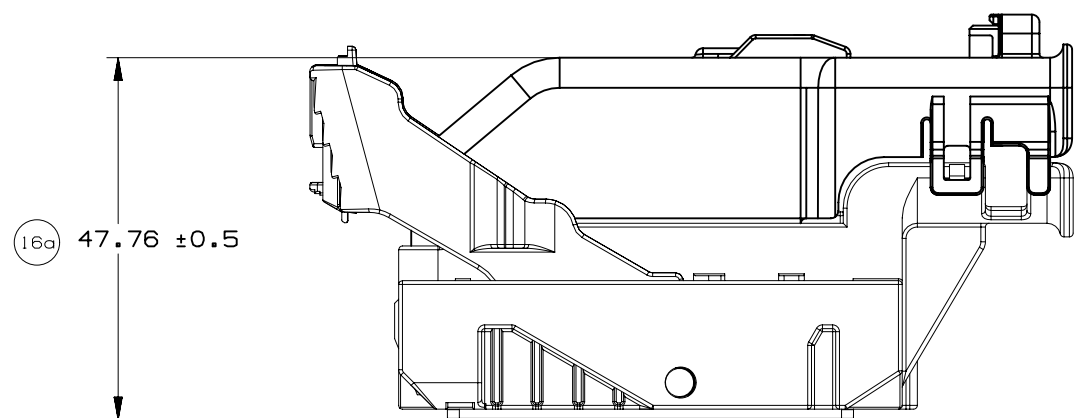
12642695

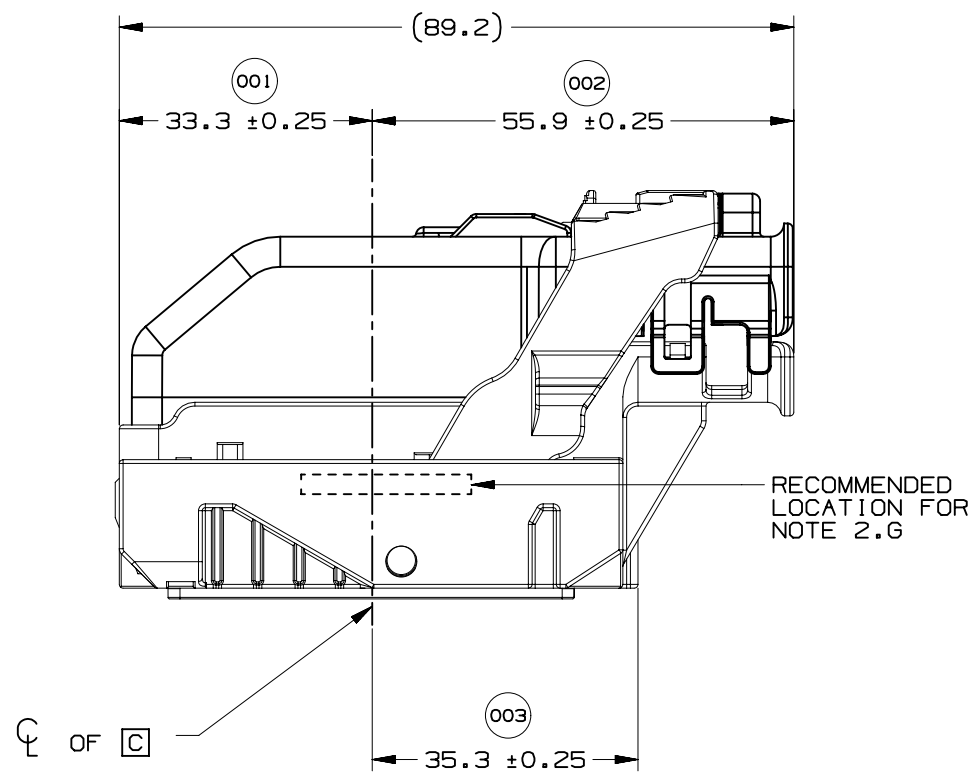
DWG STATUS

ST	REV	PDI
R	002	

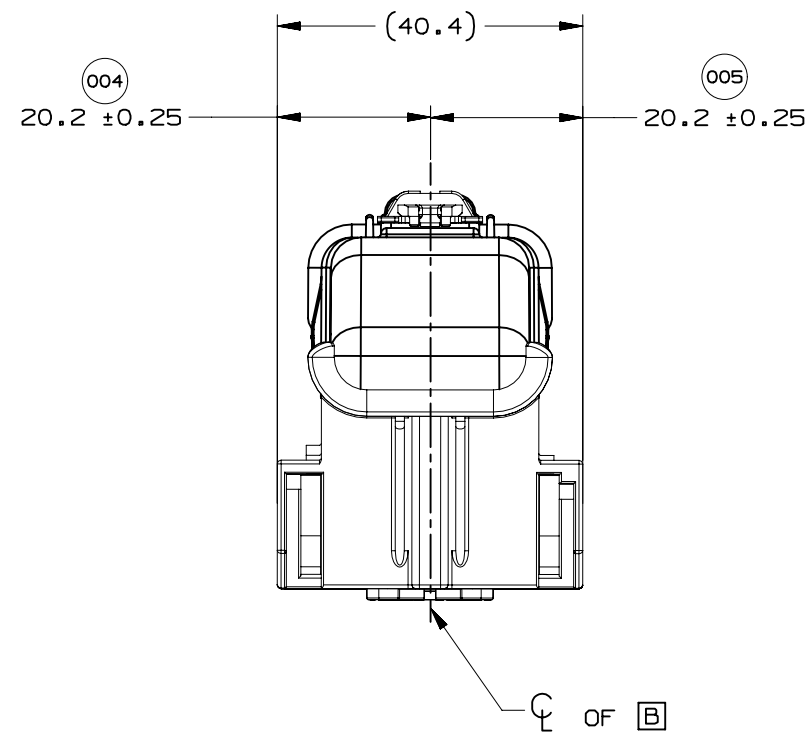
PAGE NUMBER

7 OF 21

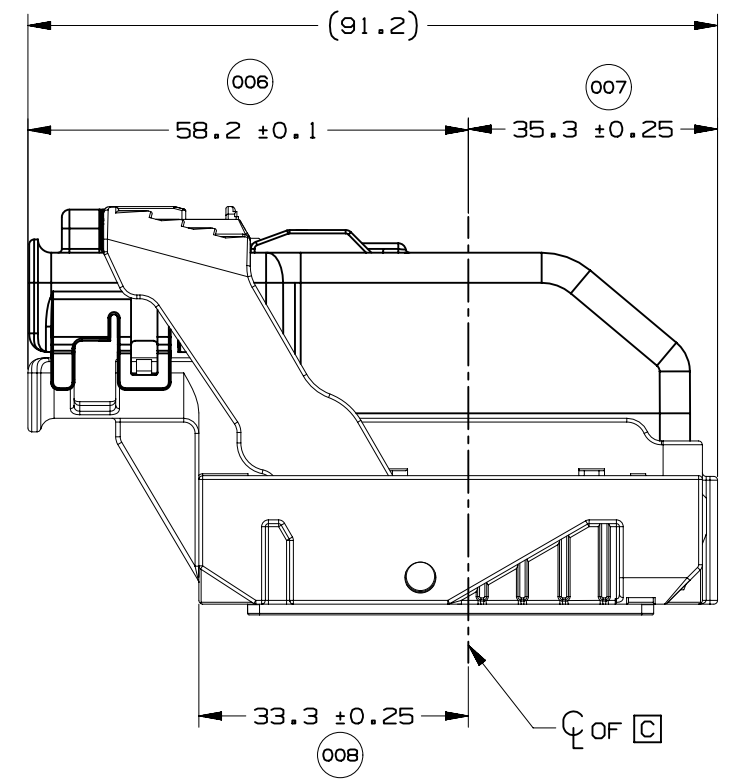




WIRE DRESS OPTION 0 SHOWN

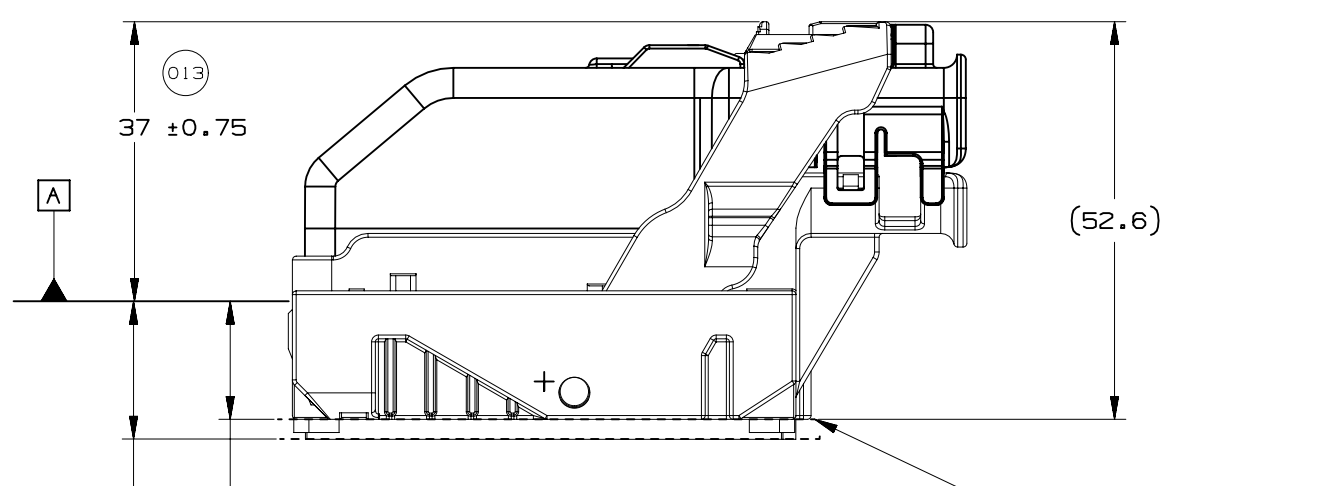
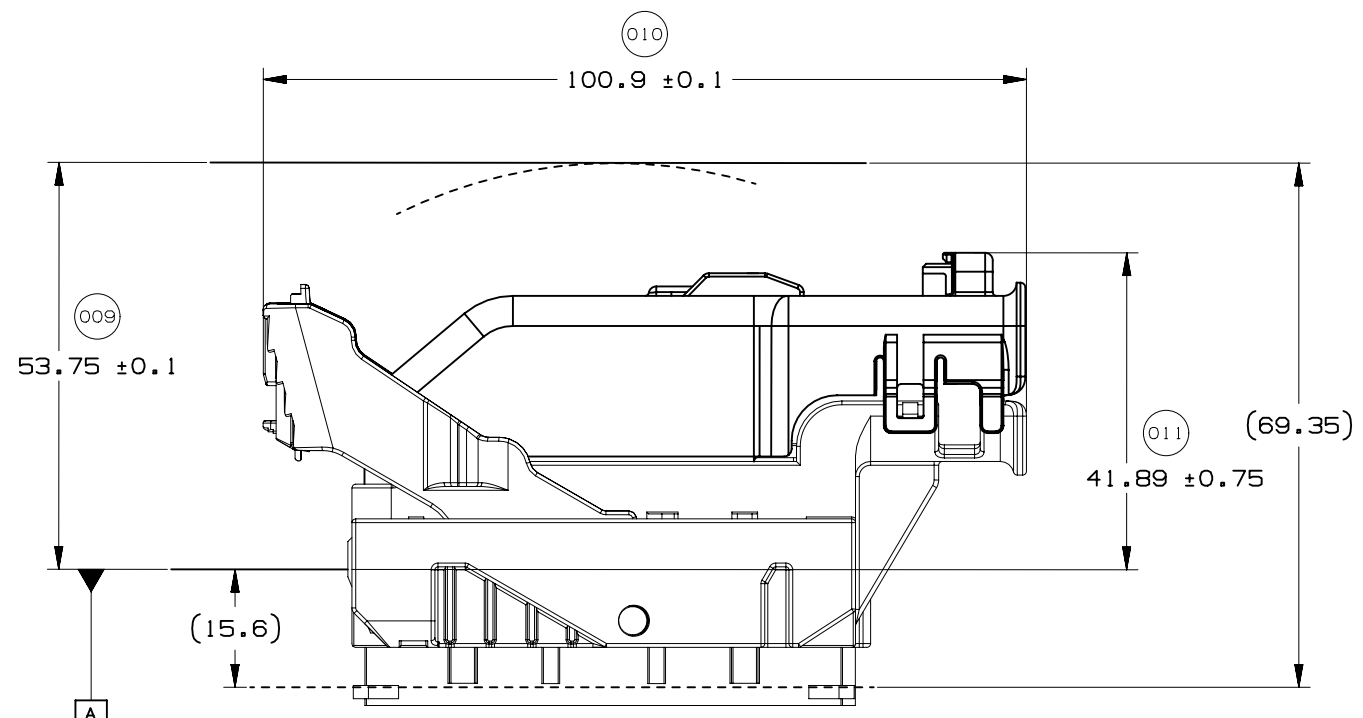
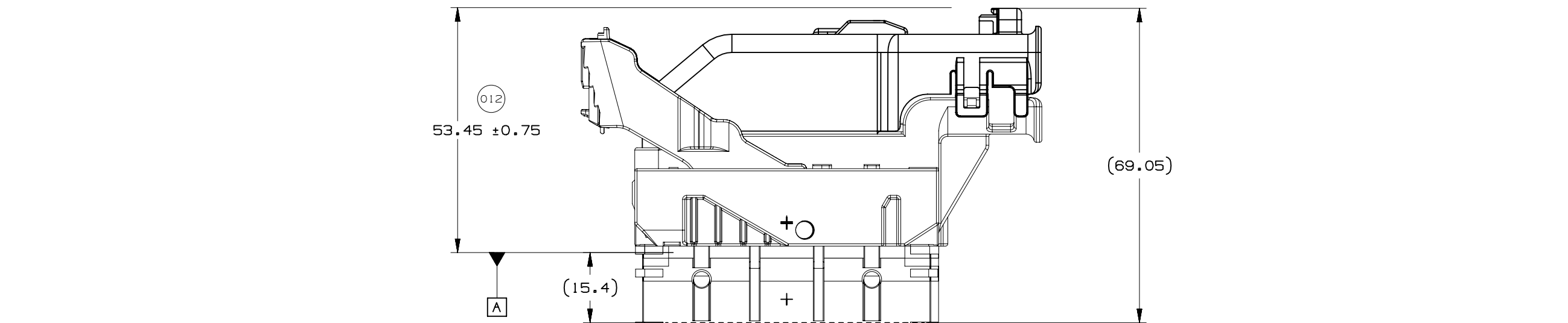


WIRE DRESS OPTION 0 SHOWN



WIRE DRESS OPTION 9 SHOWN



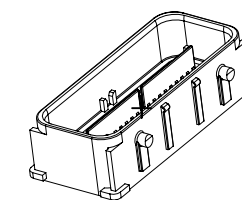
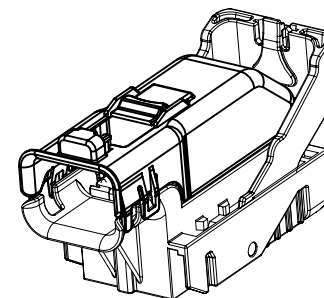
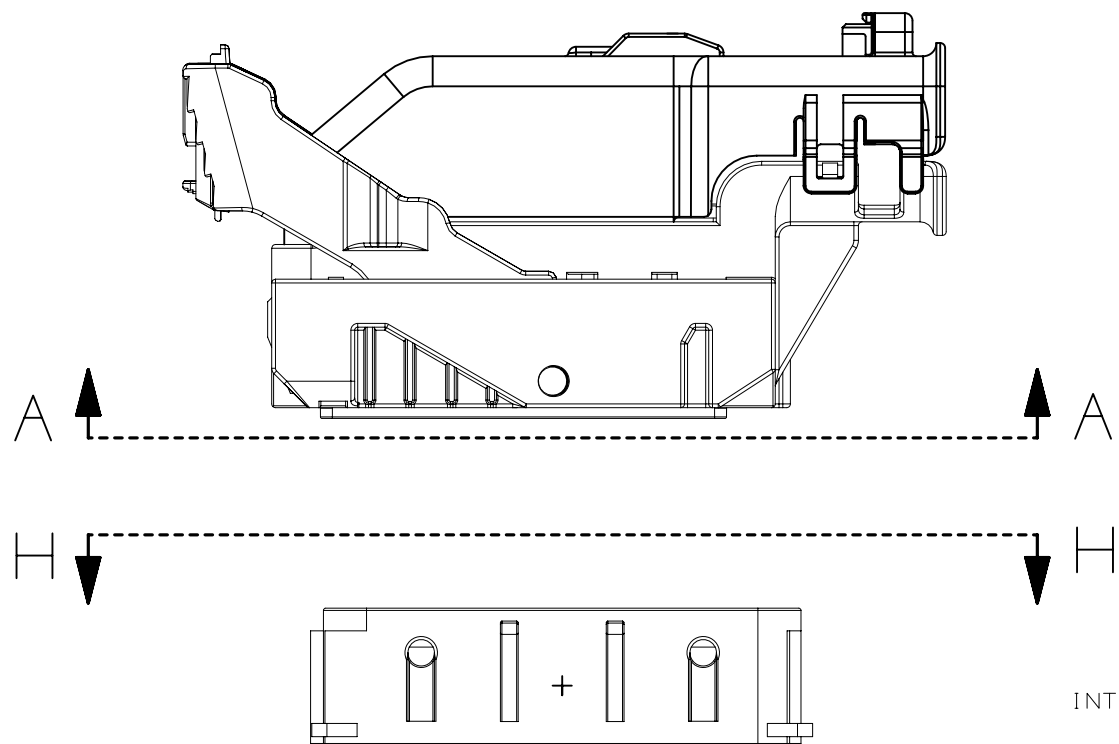


HARNESS CONNECTOR ASSEMBLY IN FULLY-MATED POSITION

HARNESS CONNECTOR CLEARANCE LINE

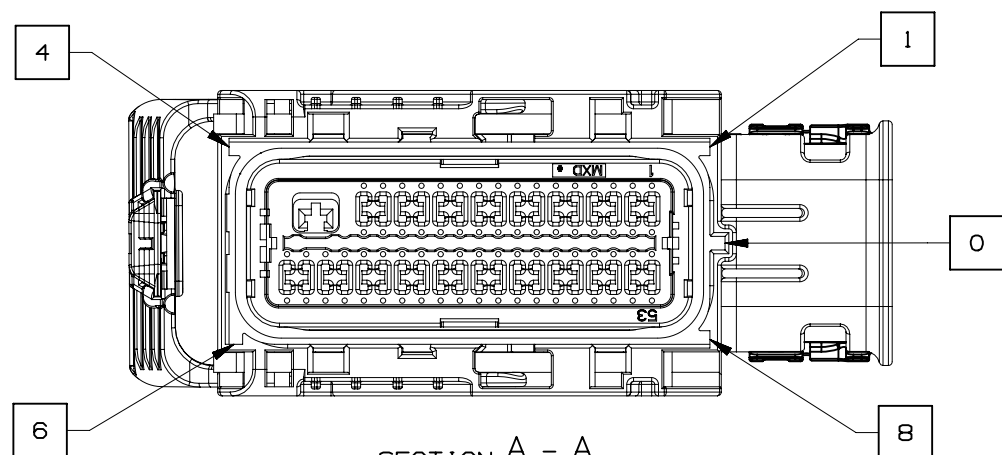
15.6 MIN. ALL AROUND CLEARANCE REQUIRED FOR HARNESS CONNECTOR (circled 014)

17.9 MIN. AT PAD LOCATION CLEARANCE REQUIRED FOR HARNESS CONNECTOR CONSTRUCTION BELOW THIS PLANE IS NOT CONTROLLED (circled 015)

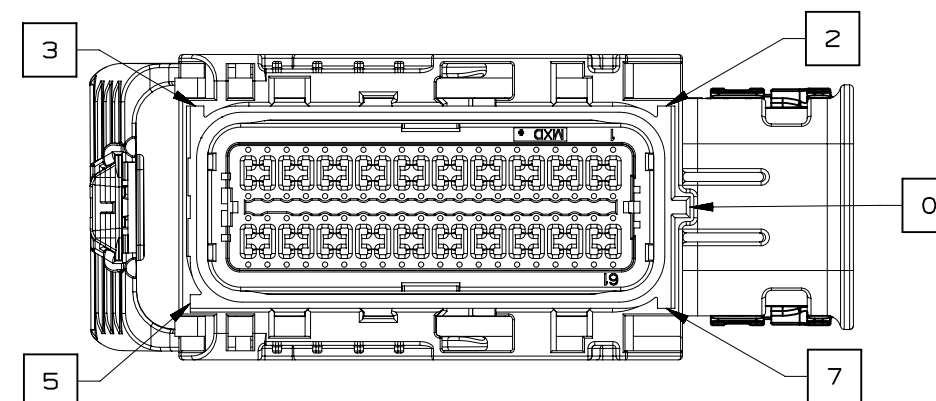


NOTE: REFERENCE THE COMPONENT TABLE FOR KEY OPTIONS AND CONFIGURATIONS

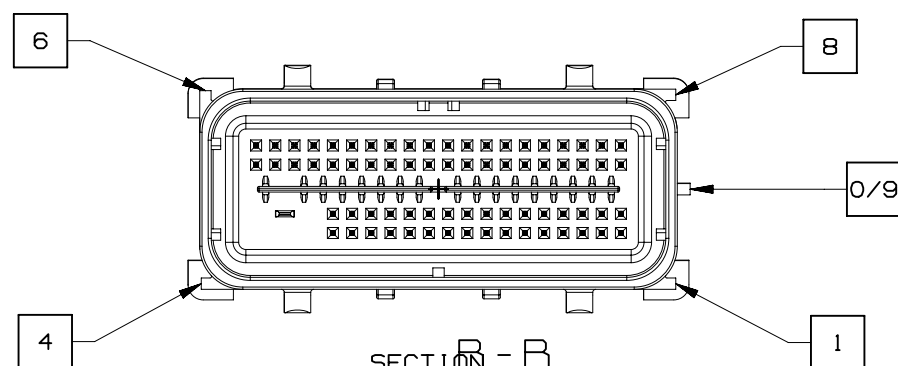
INTERFACE SIDE SHOWN ON ALL SECTION VIEWS



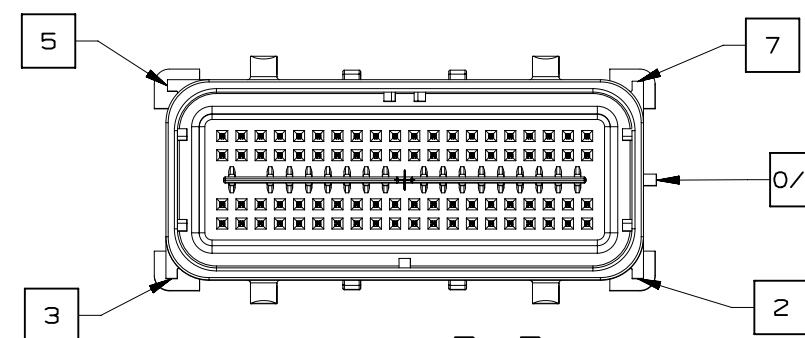
SECTION A - A
KEY OPTION B SHOWN



SECTION A - A
KEY OPTION K SHOWN



SECTION B - B
KEY OPTION B SHOWN



SECTION B - B
KEY OPTION K SHOWN

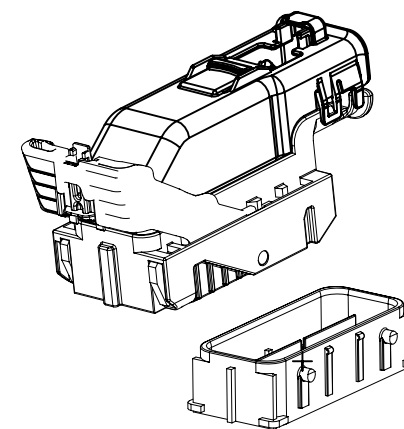
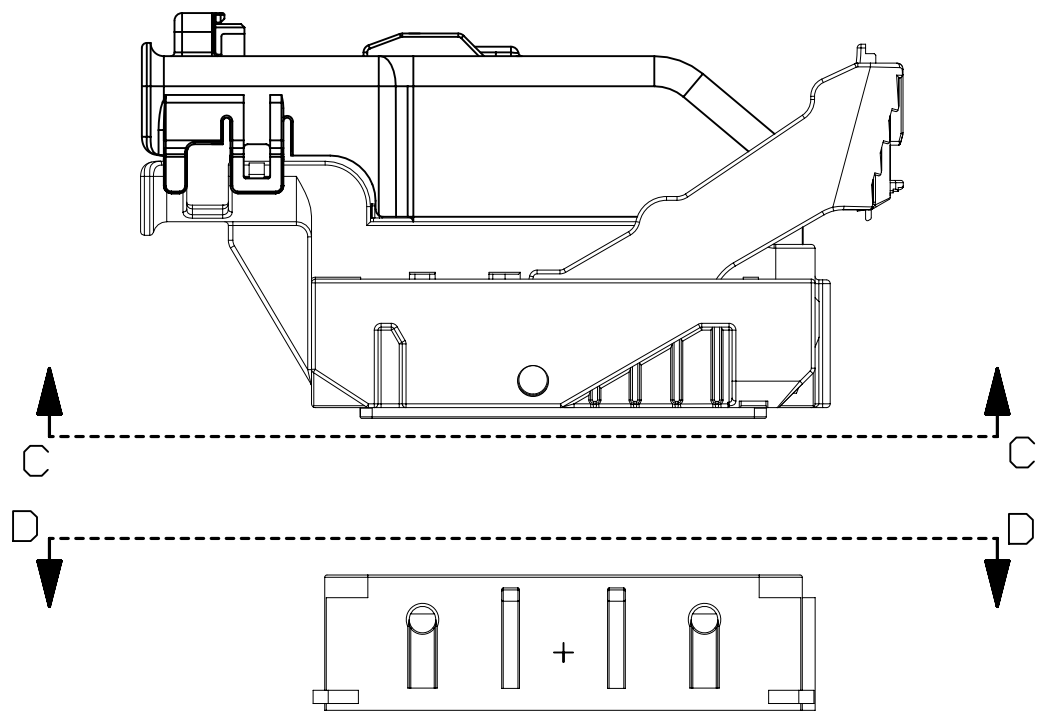


PAGE TITLE
KEY ID REF - WIRE DRESS OPTION 0

DRAWING NUMBER
12642695

DWG STATUS		
ST	REV	PD1
R	002	

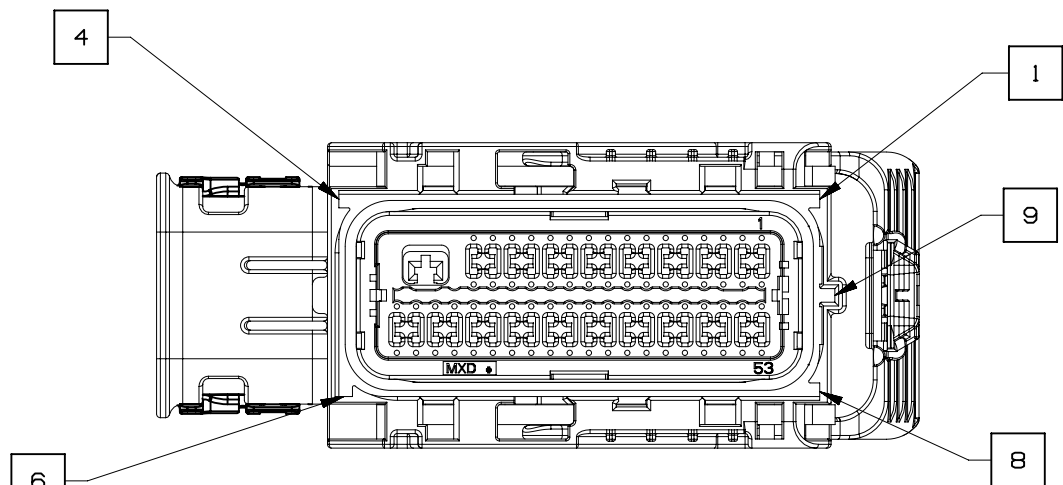
PAGE NUMBER
11 OF 21



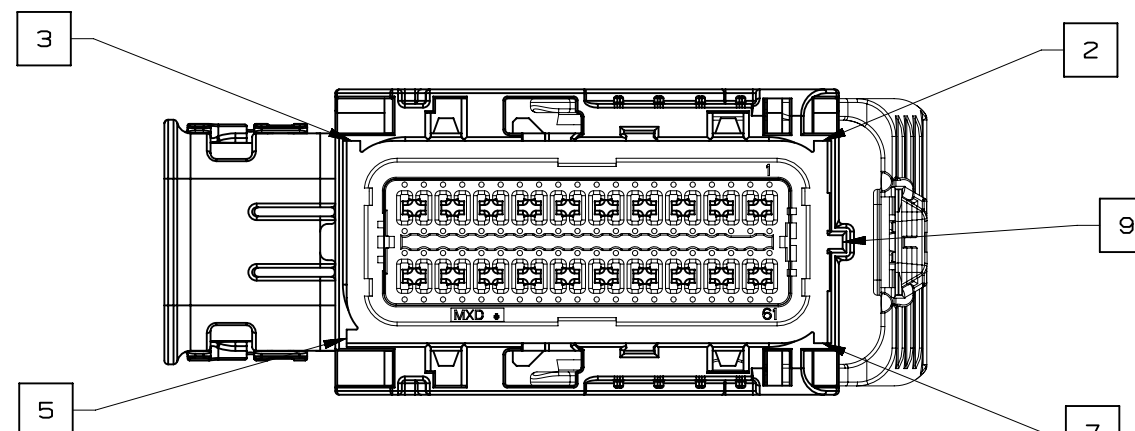
NOTE: REFERENCE THE COMPONENT TABLE FOR KEY OPTIONS AND CONFIGURATIONS

VIEW V

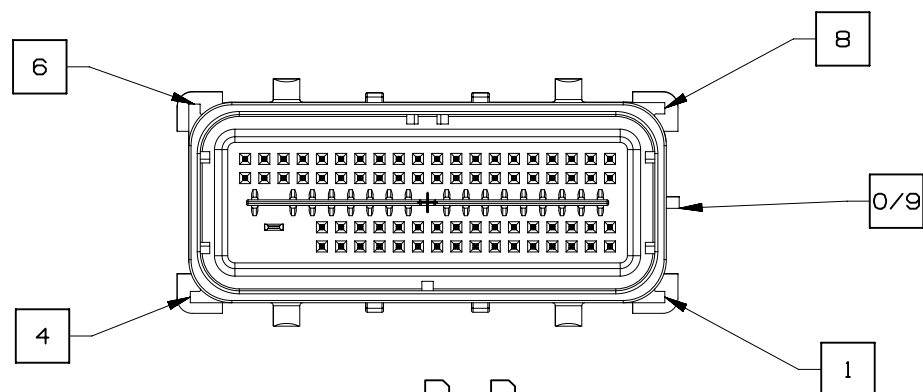
INTERFACE SIDE SHOWN ON ALL SECTION VIEWS



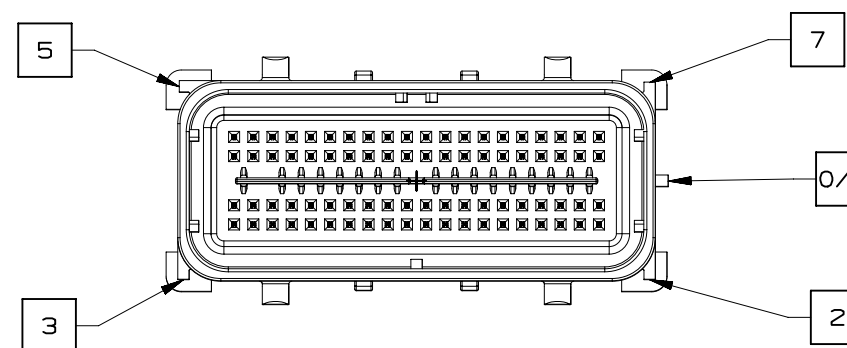
SECTION C-C
KEY OPTION B SHOWN



SECTION C-C
KEY OPTION K SHOWN



SECTION D-D
KEY OPTION B SHOWN



SECTION D-D
KEY OPTION K SHOWN

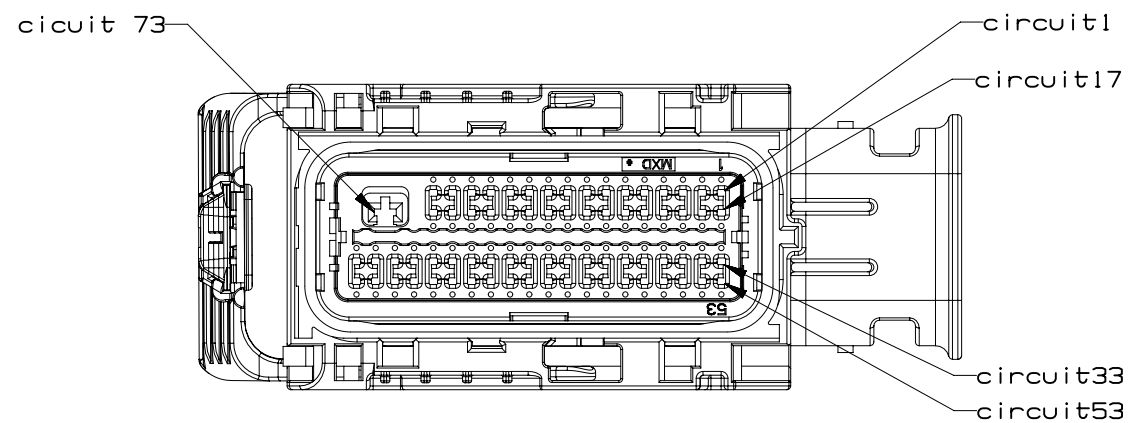


PAGE TITLE
KEY ID REF - WIRE DRESS OPTION 9

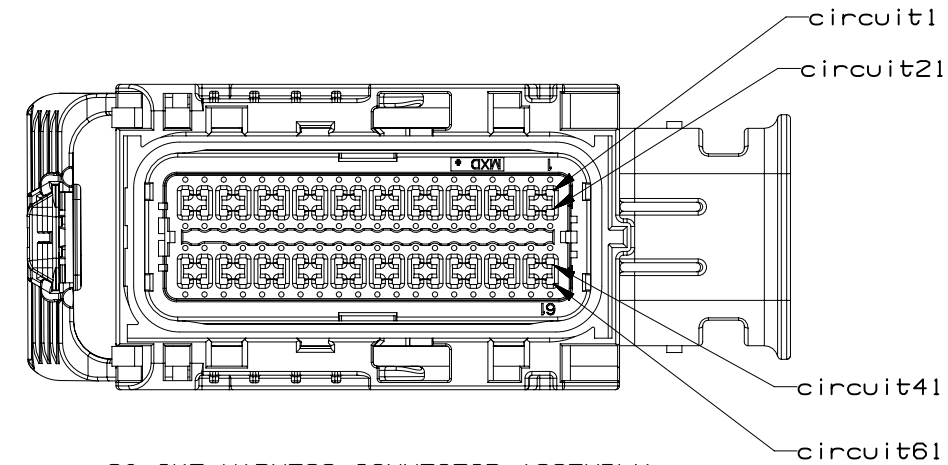
DRAWING NUMBER
12642695

DWG STATUS		
ST	REV	PD1
R	002	

PAGE NUMBER
12 OF 21

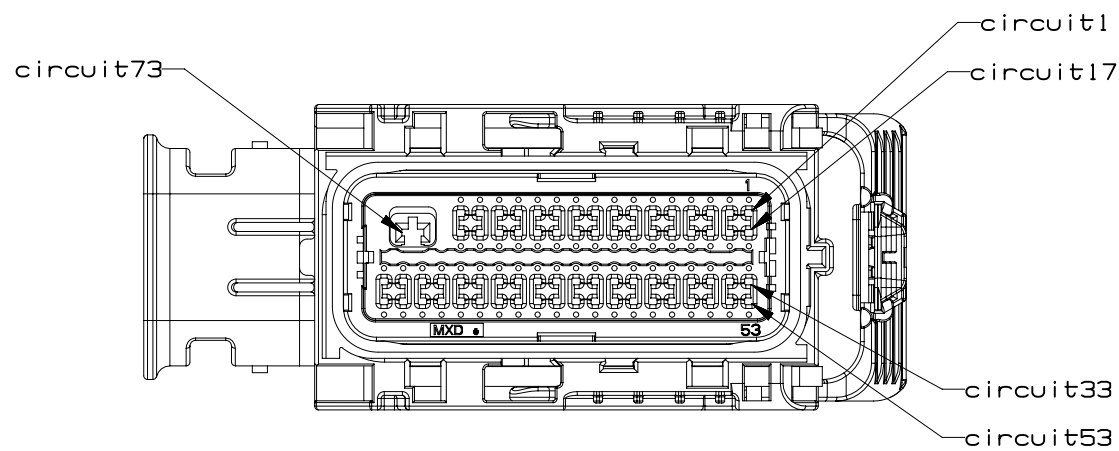


73 CKT HARNESS CONNECTOR ASSEMBLY
WIRE DRESS OPTION 0

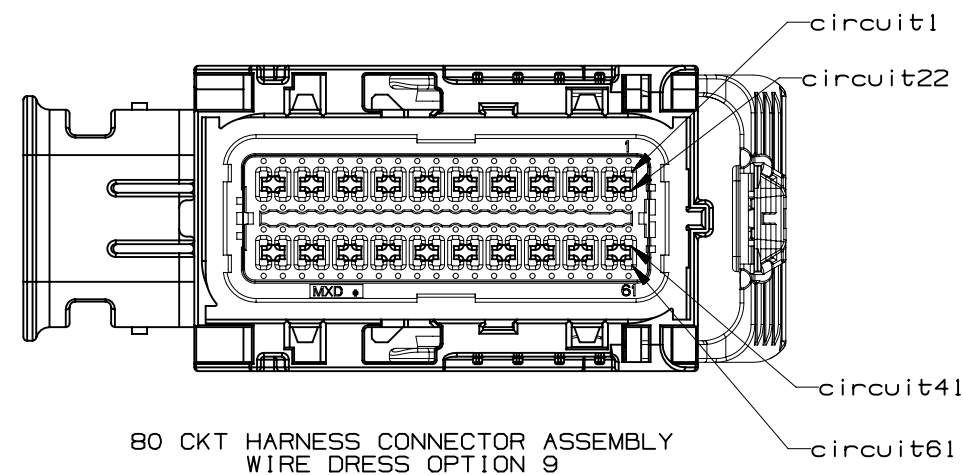


80 CKT HARNESS CONNECTOR ASSEMBLY
WIRE DRESS OPTION 0

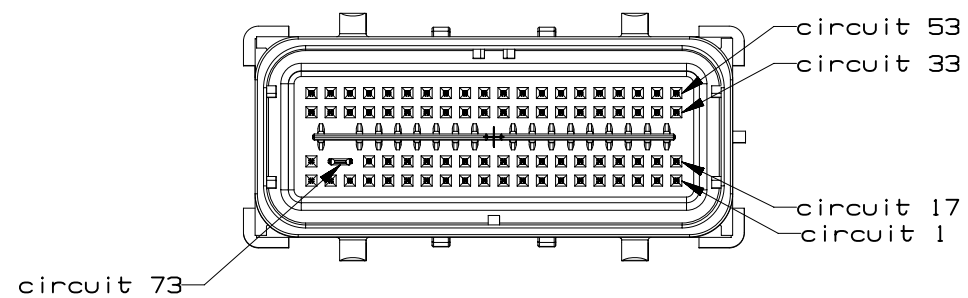
INTERFACE SIDE SHOWN ON ALL VIEWS



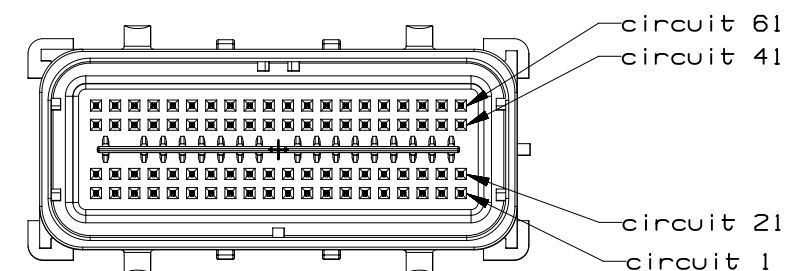
73 CKT HARNESS CONNECTOR ASSEMBLY
WIRE DRESS OPTION 9



80 CKT HARNESS CONNECTOR ASSEMBLY
WIRE DRESS OPTION 9

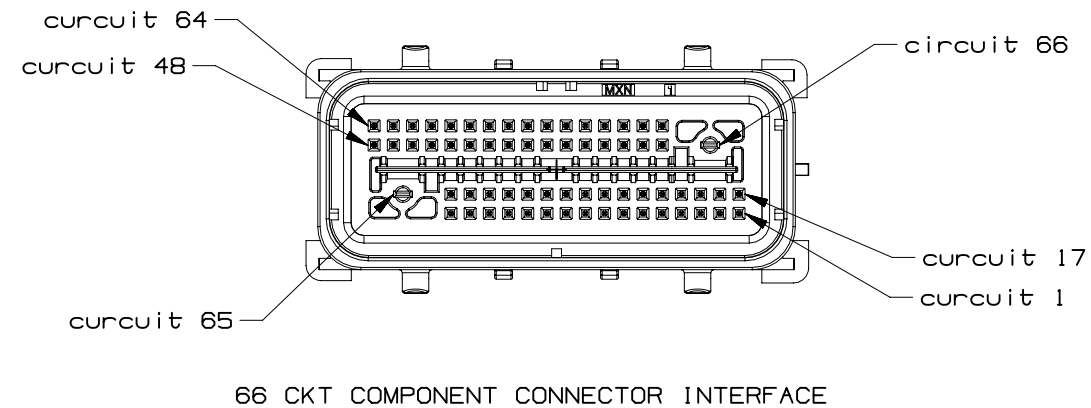
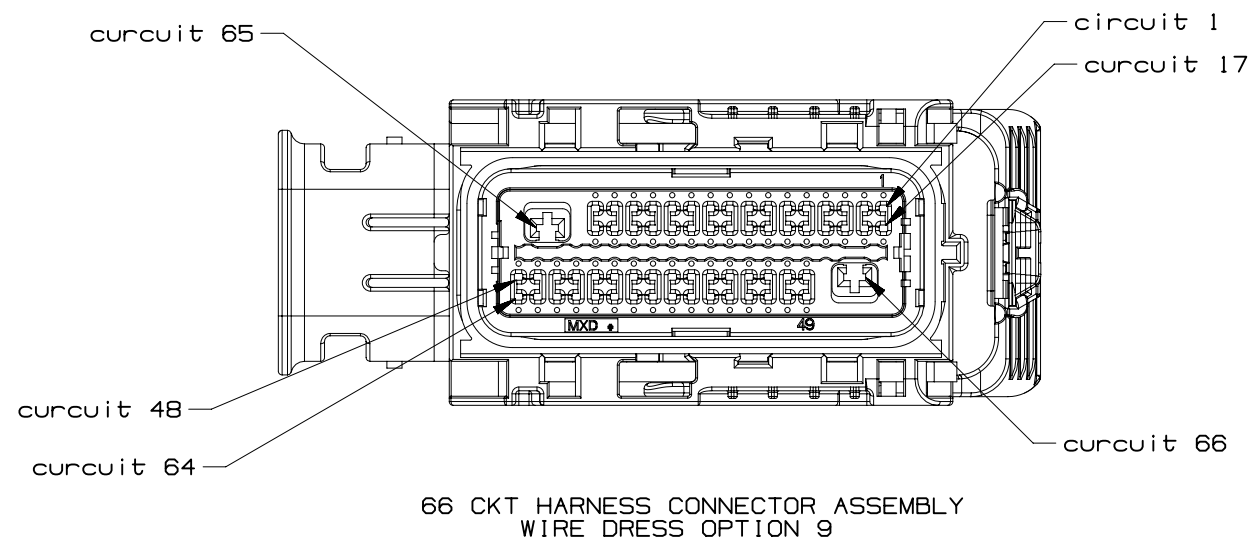
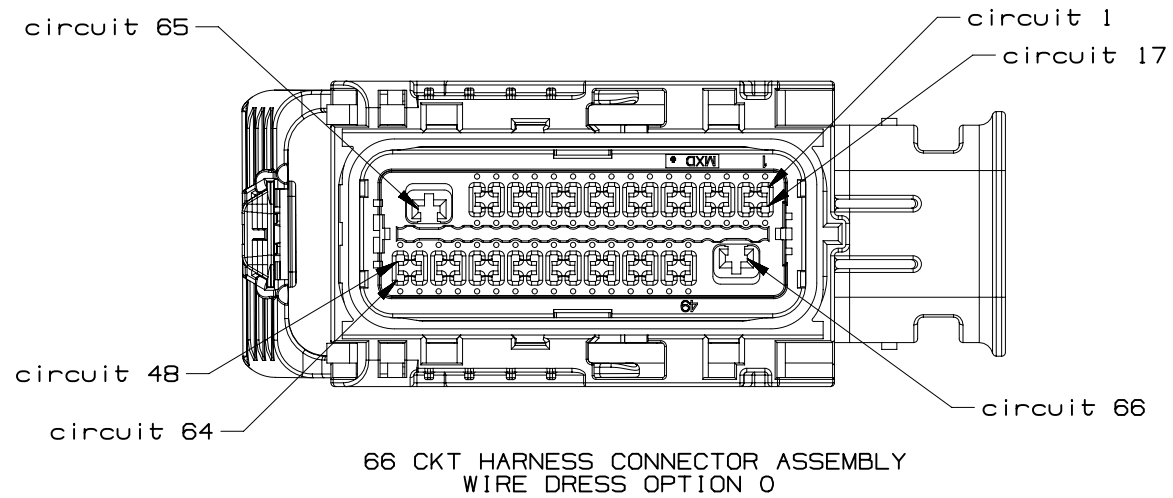


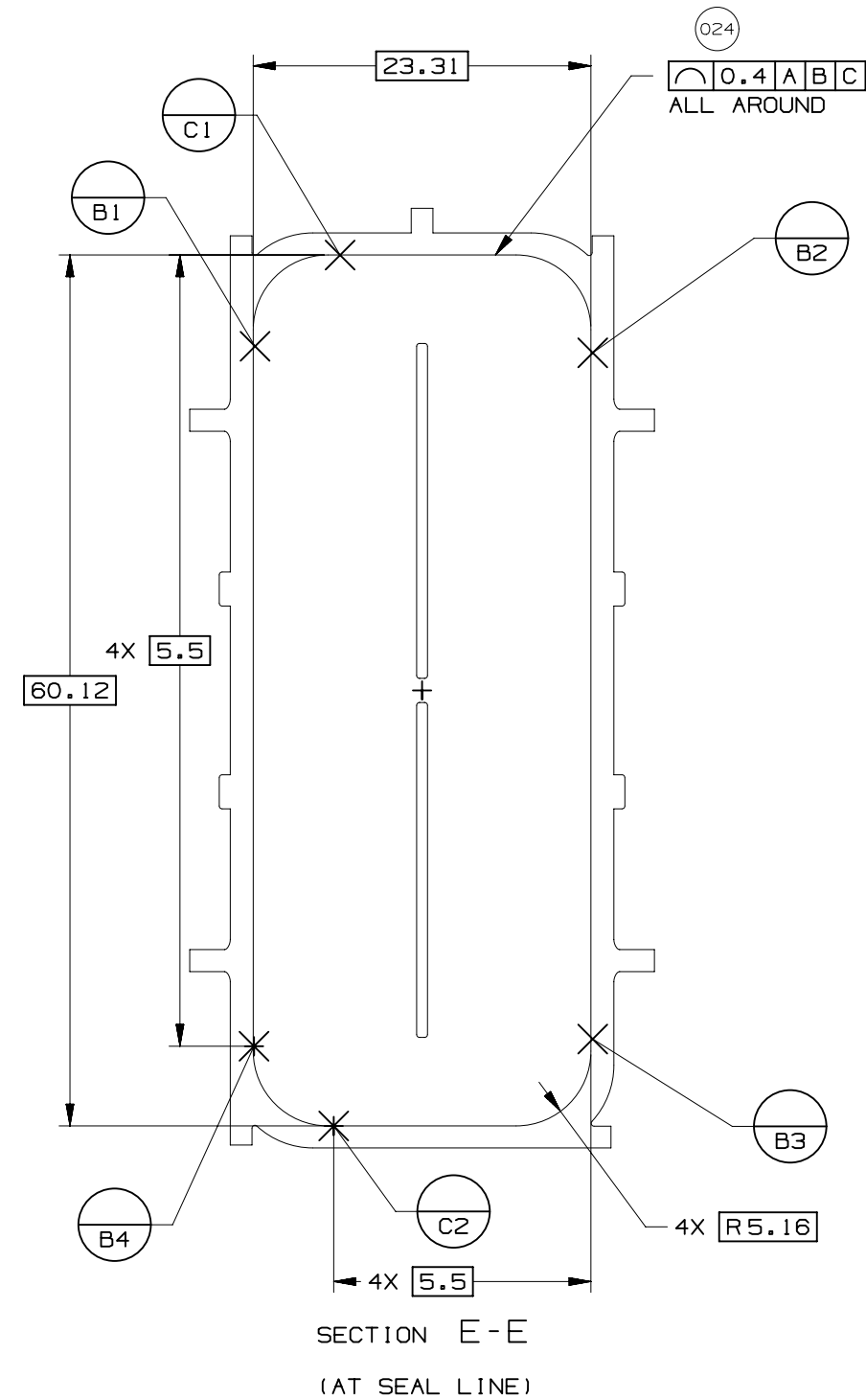
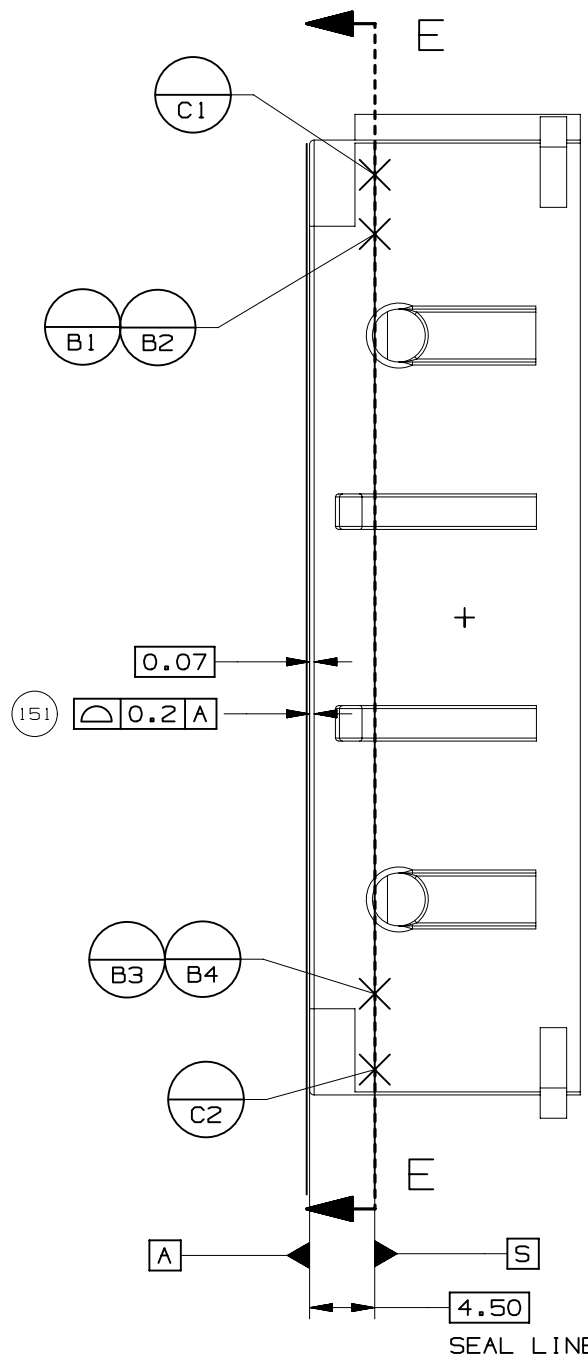
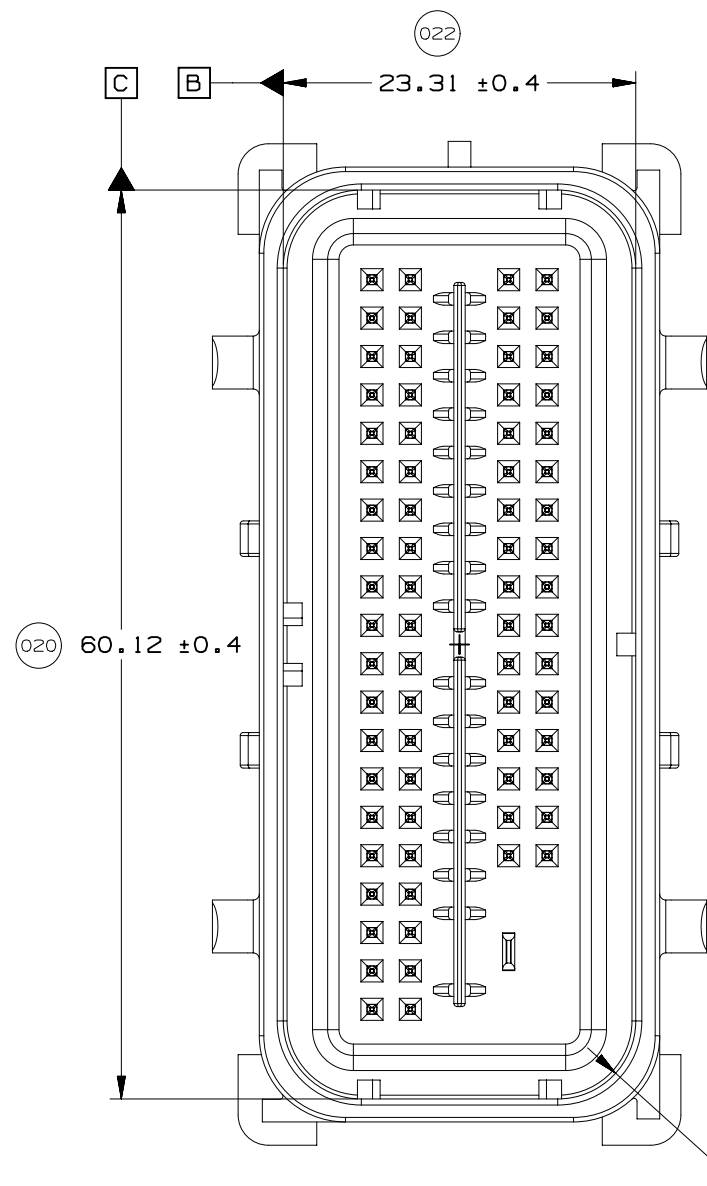
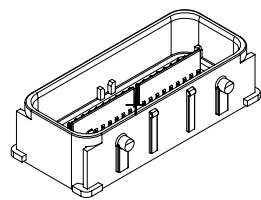
73 CKT COMPONENT CONNECTOR INTERFACE



80 CKT COMPONENT CONNECTOR INTERFACE







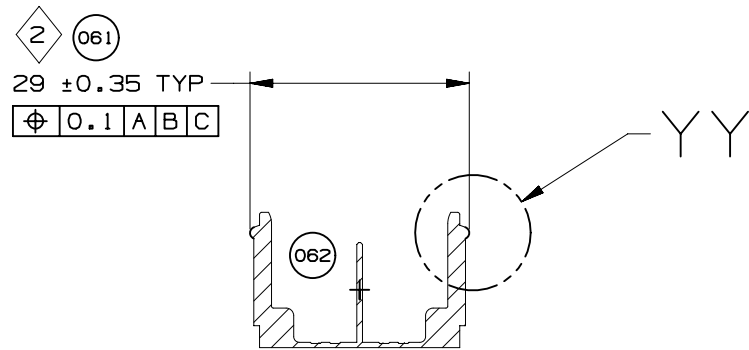
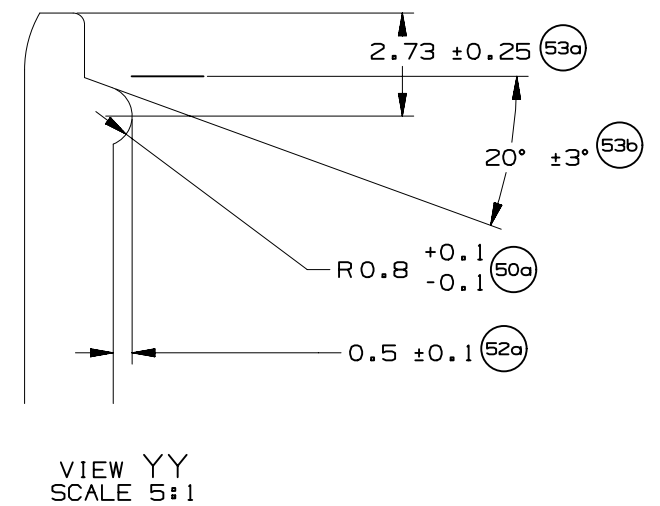
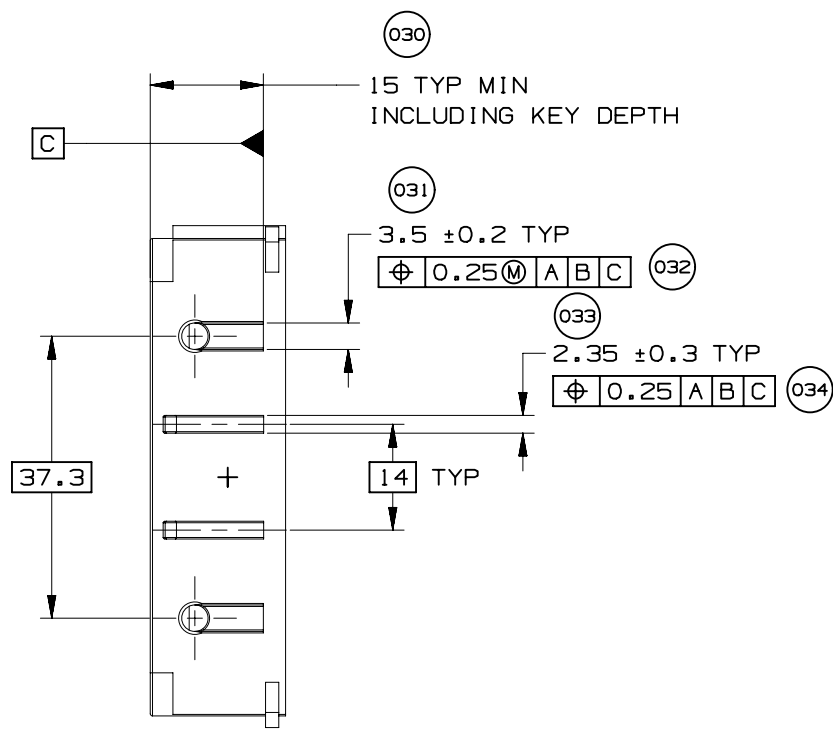
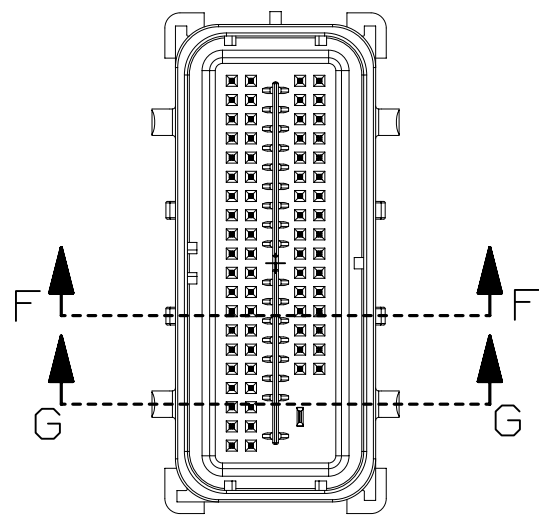
UNLESS SPECIFIED, TOLERANCE OF THE COMPONENT CONNECTOR INTERFACE TO BE $\sqrt[0.13]{A B C}$



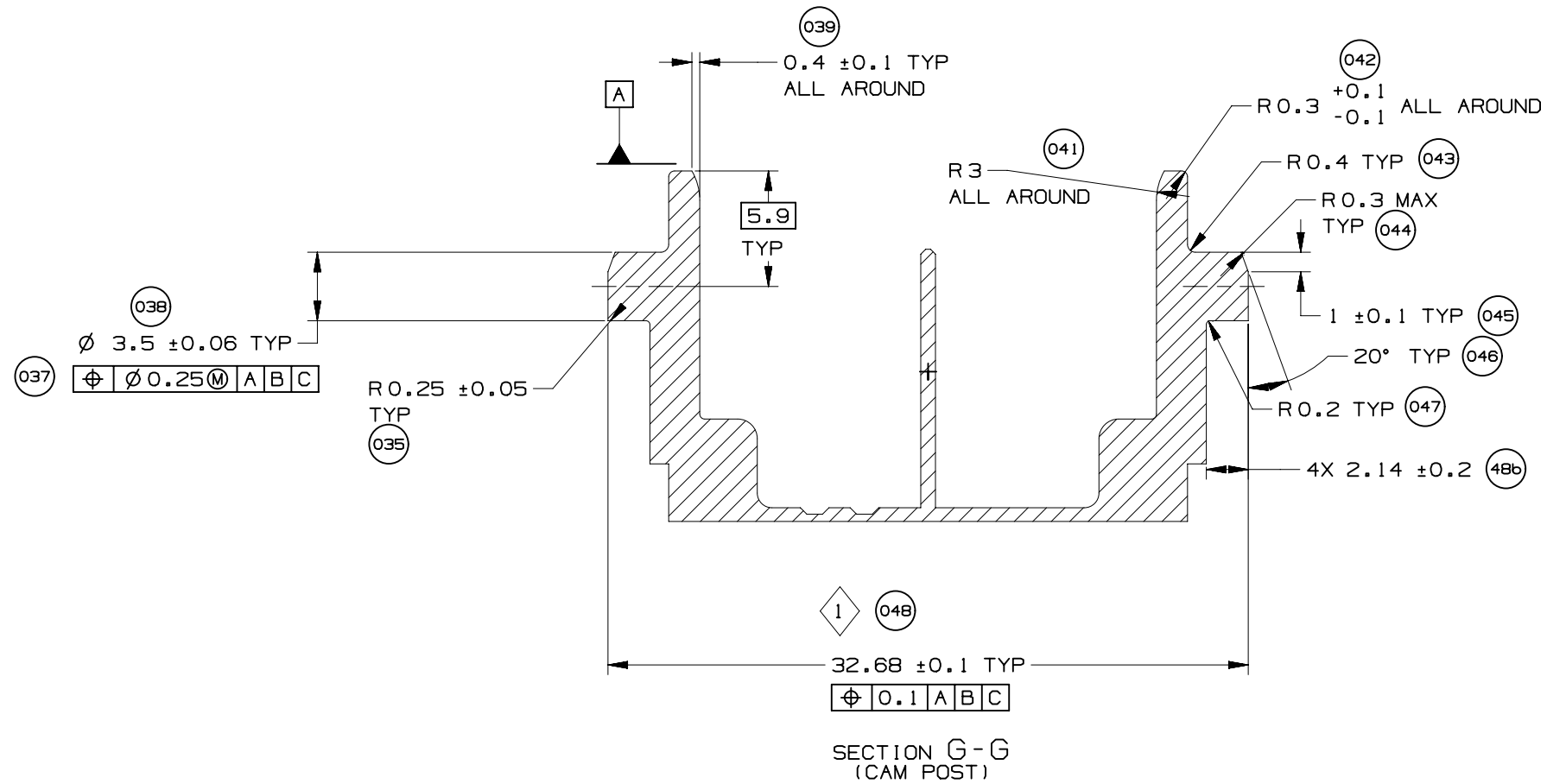
PAGE TITLE
COMPONENT CONNECTOR INTERFACE

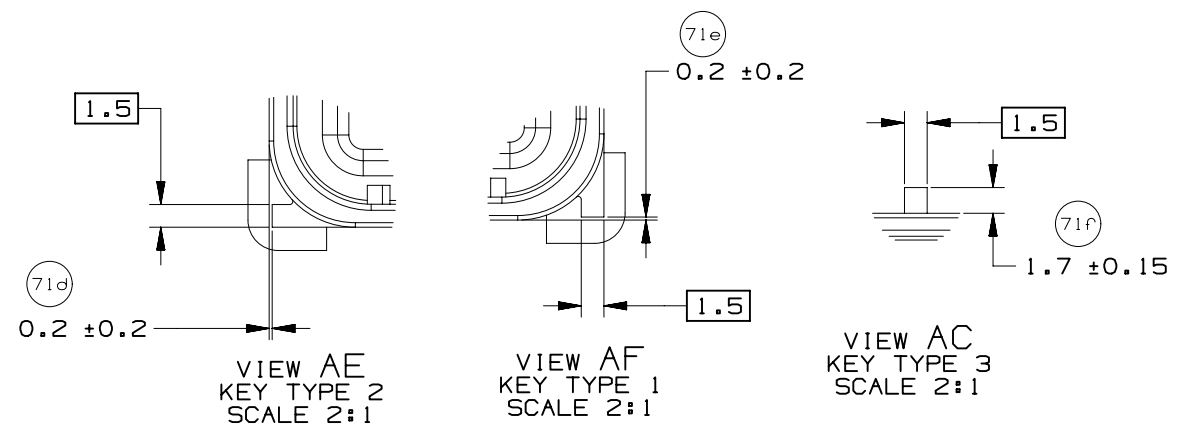
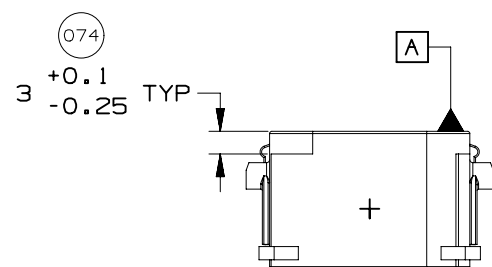
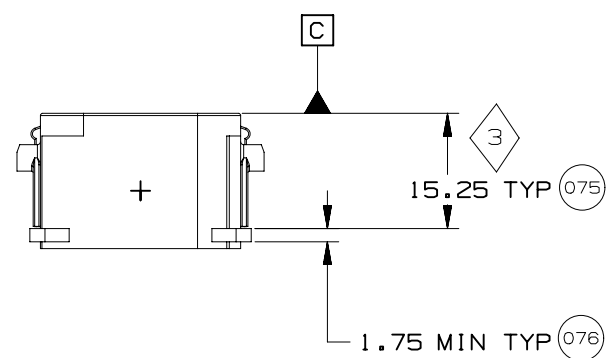
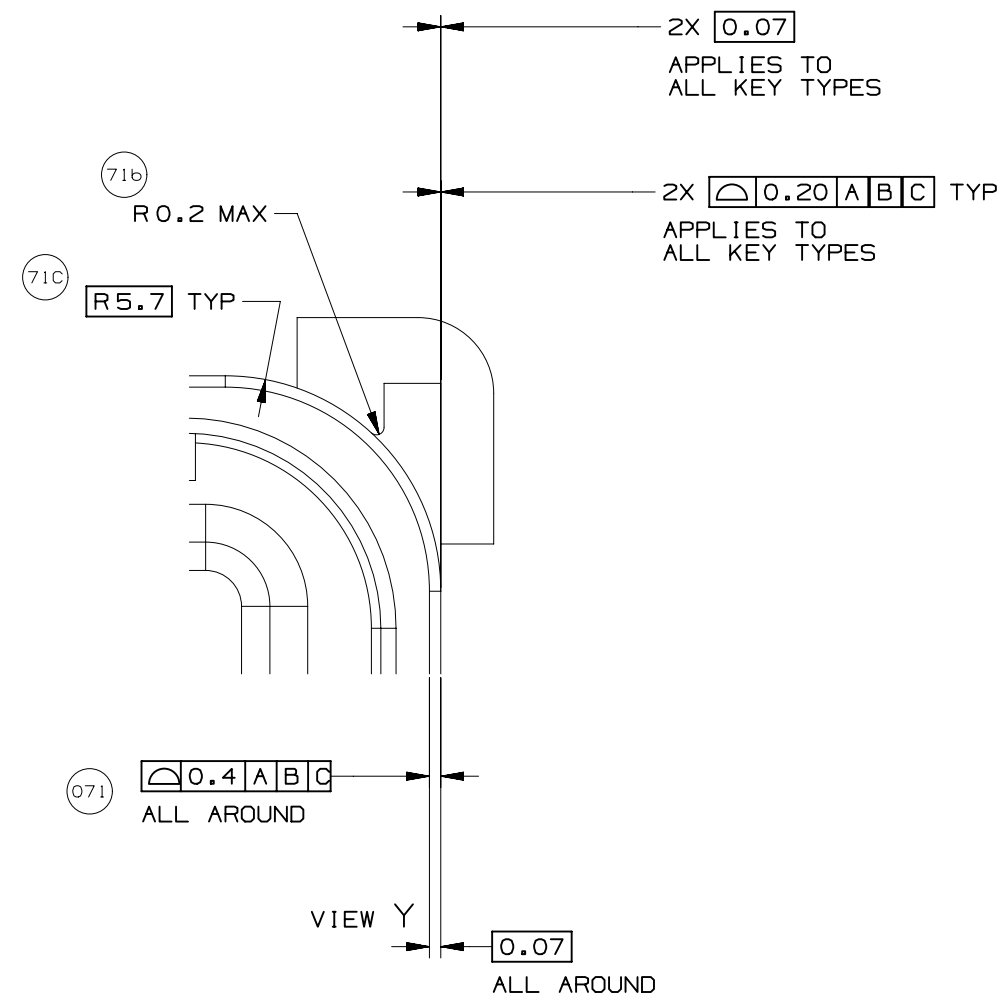
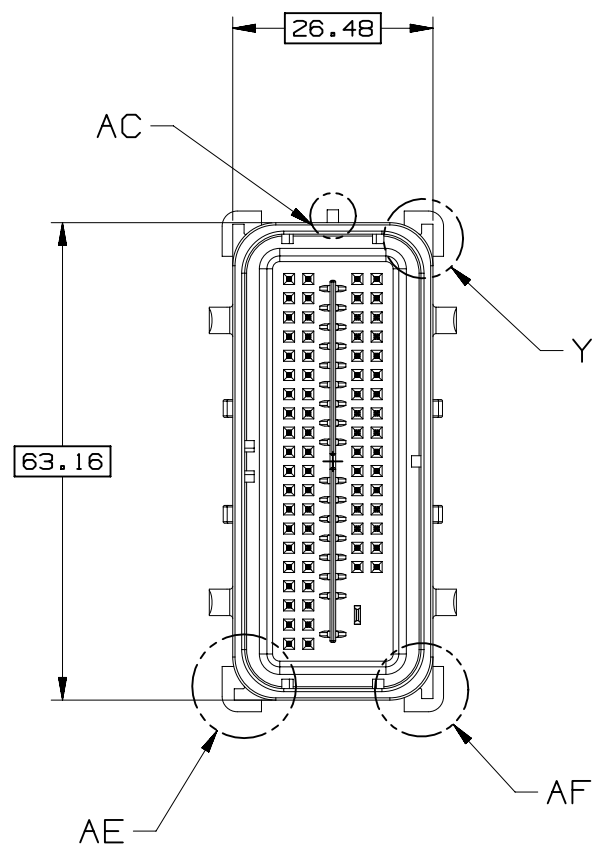
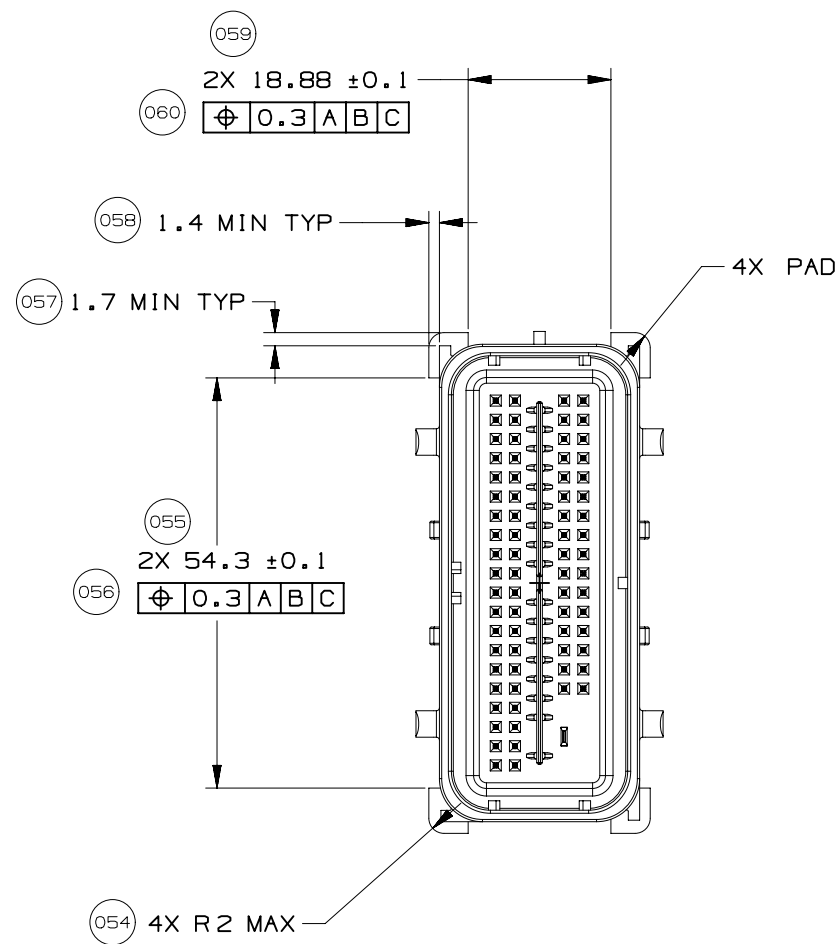
DRAWING NUMBER
12642695

DWG STATUS			PAGE NUMBER
ST	REV	PD1	
R	002		15 OF 21



SECTION F-F

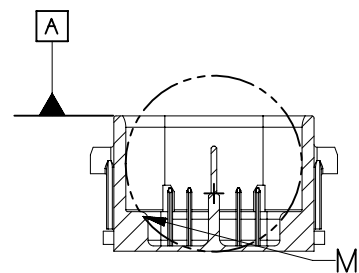
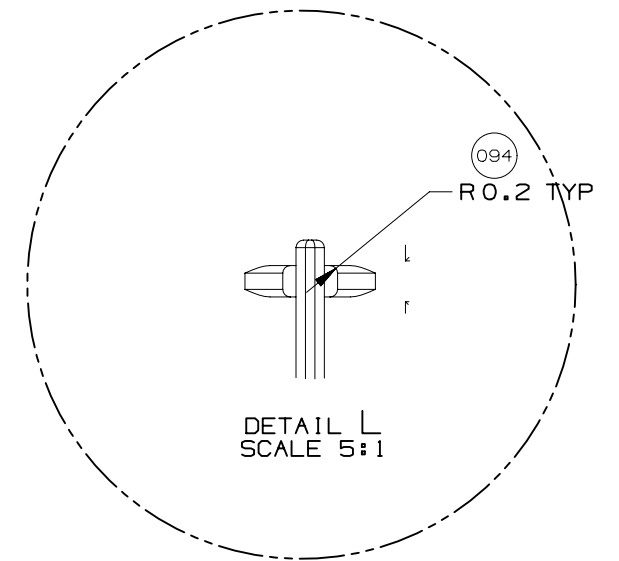
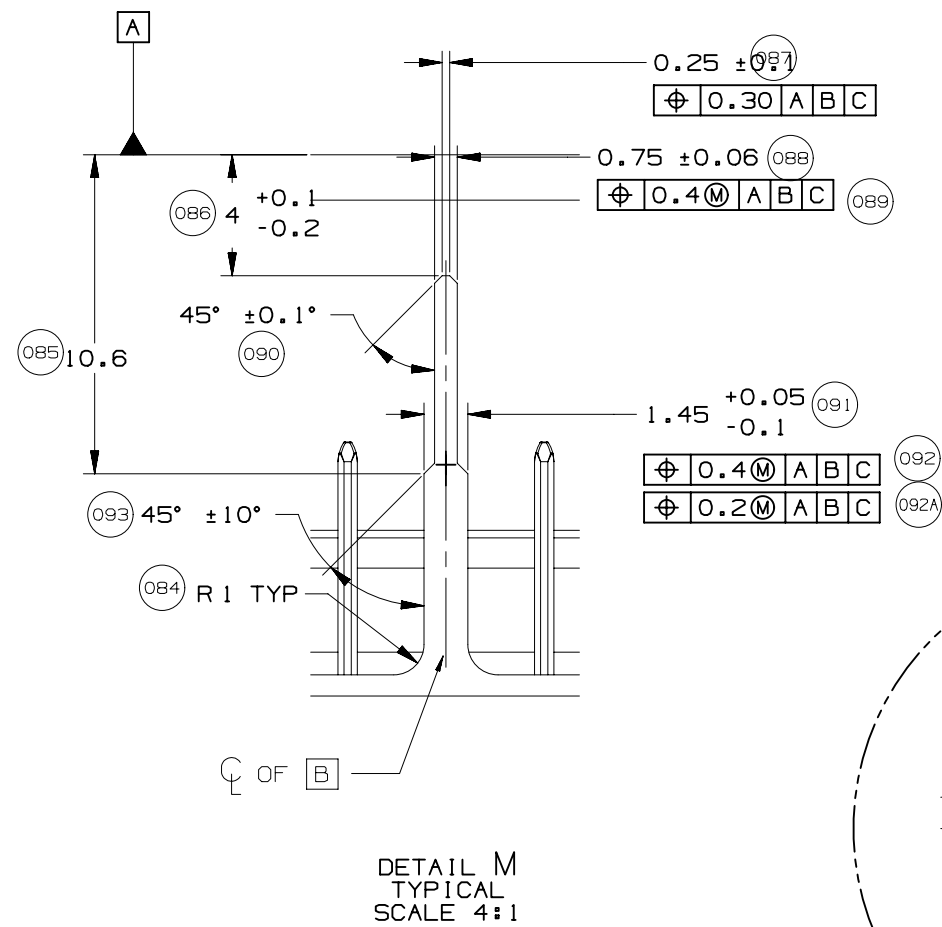
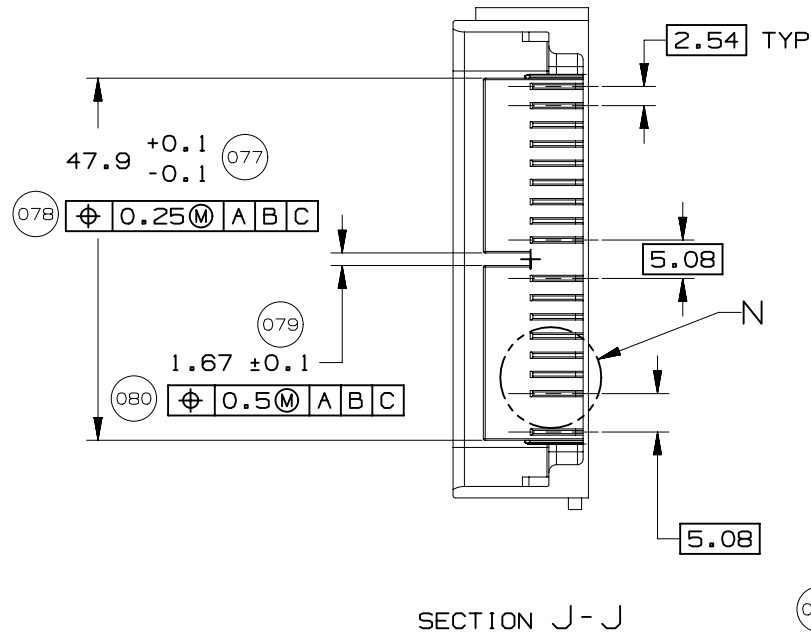
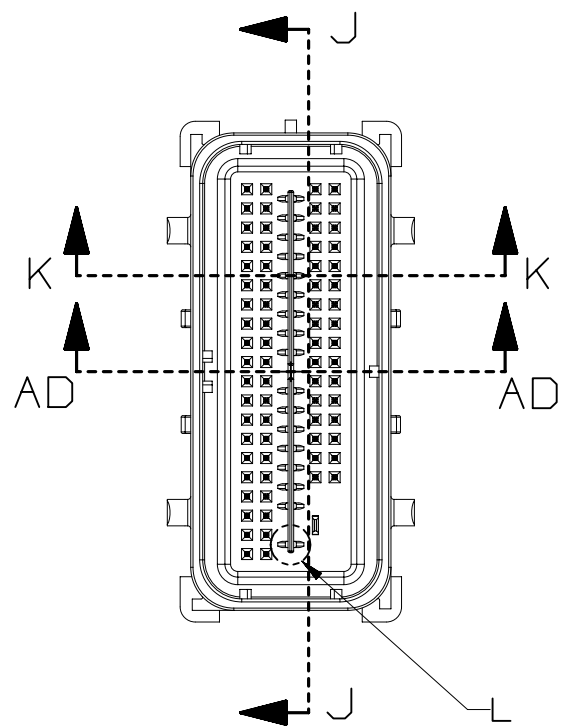




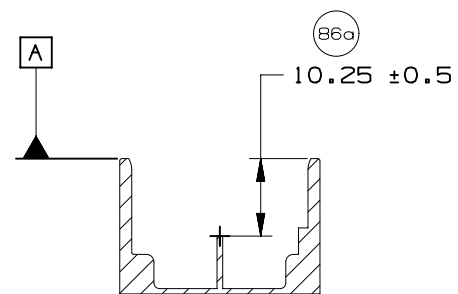
PAGE TITLE
 COMPONENT CONNECTOR INTERFACE

DRAWING NUMBER
 12642695

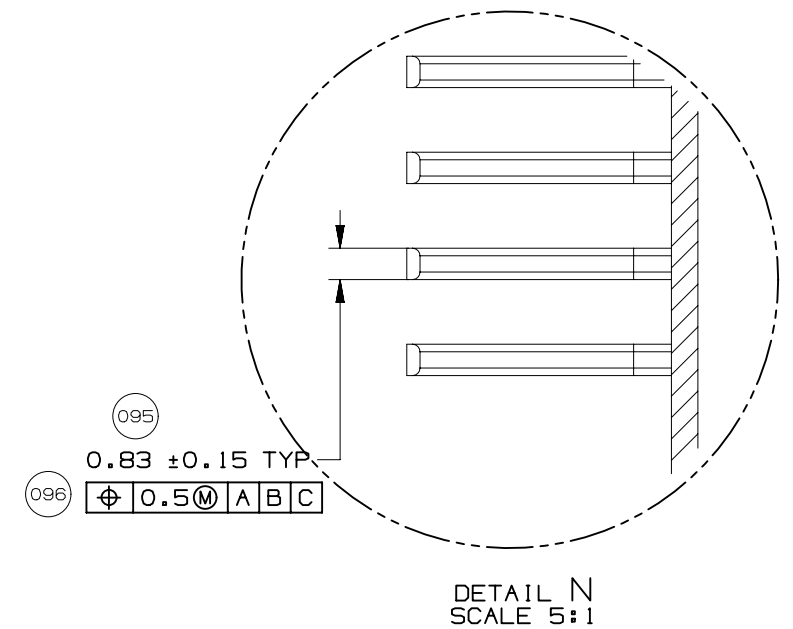
DWG STATUS			PAGE NUMBER
ST	REV	PD1	
R	002		17 OF 21



SECTION K-K

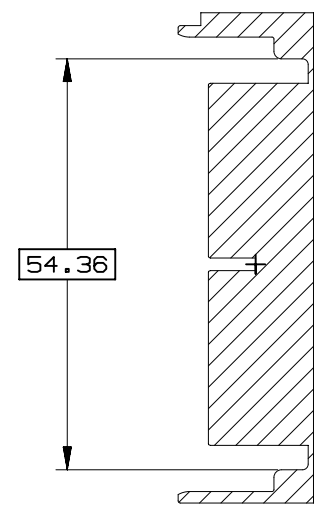
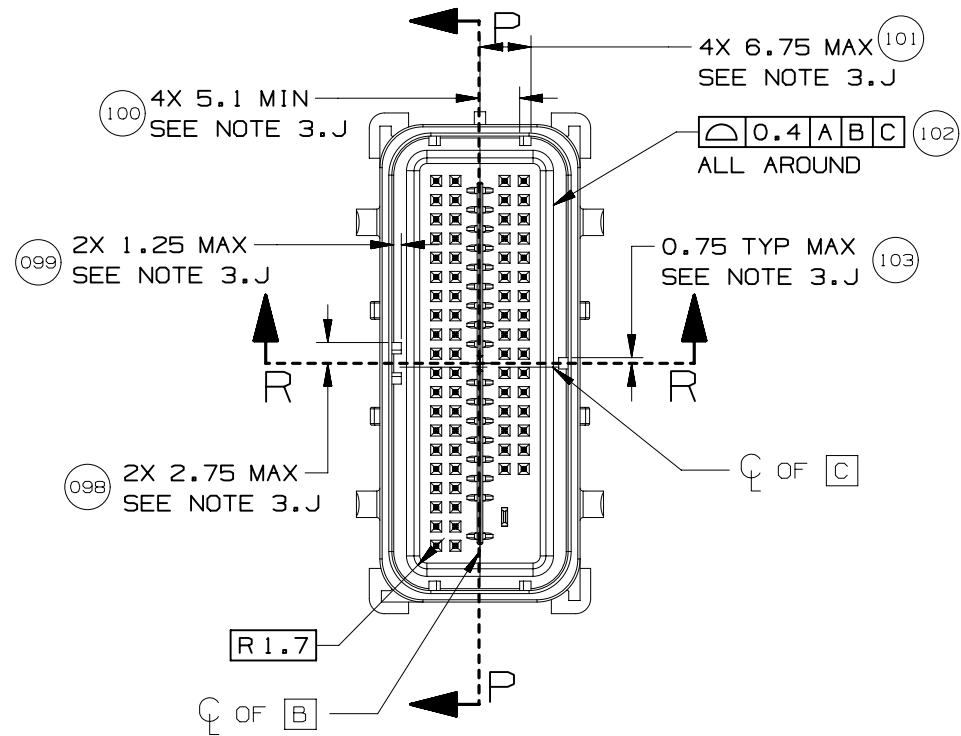


SECTION AD-AD

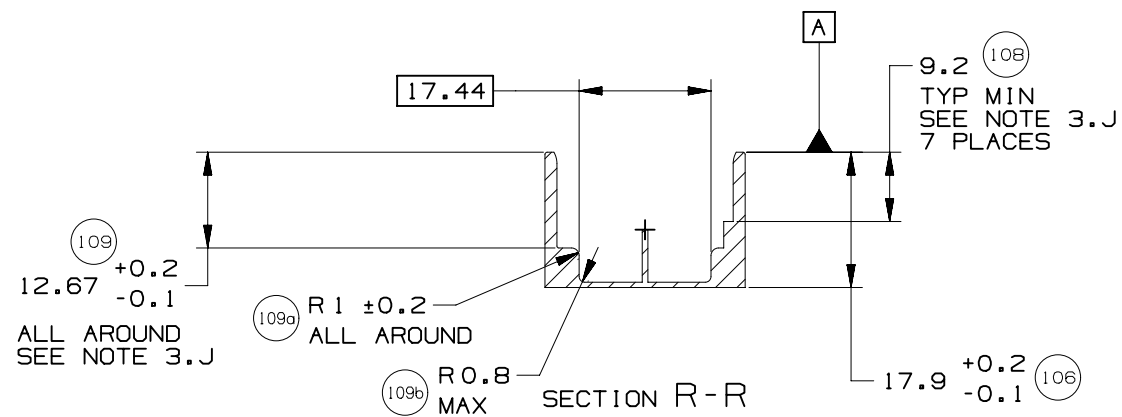


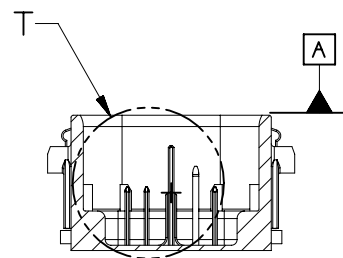
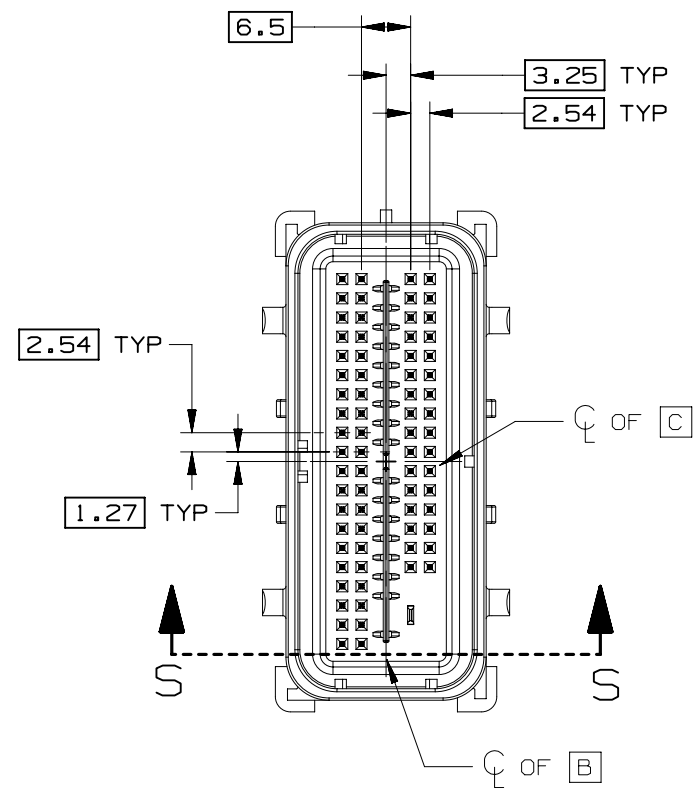
DETAIL N
SCALE 5:1



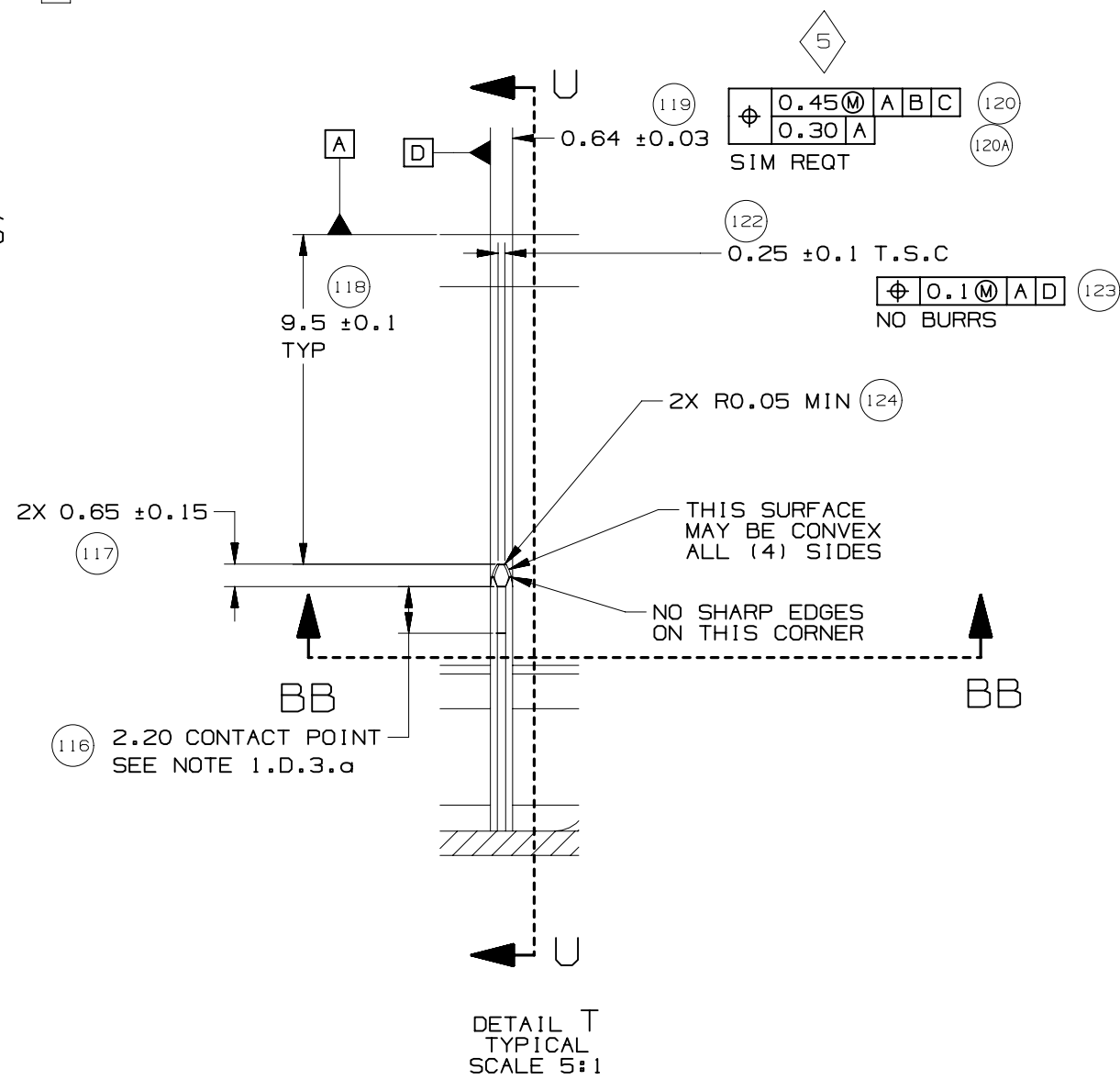


SECTION P-P

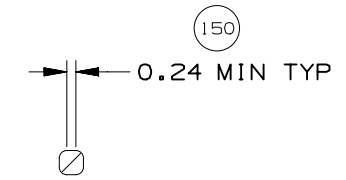




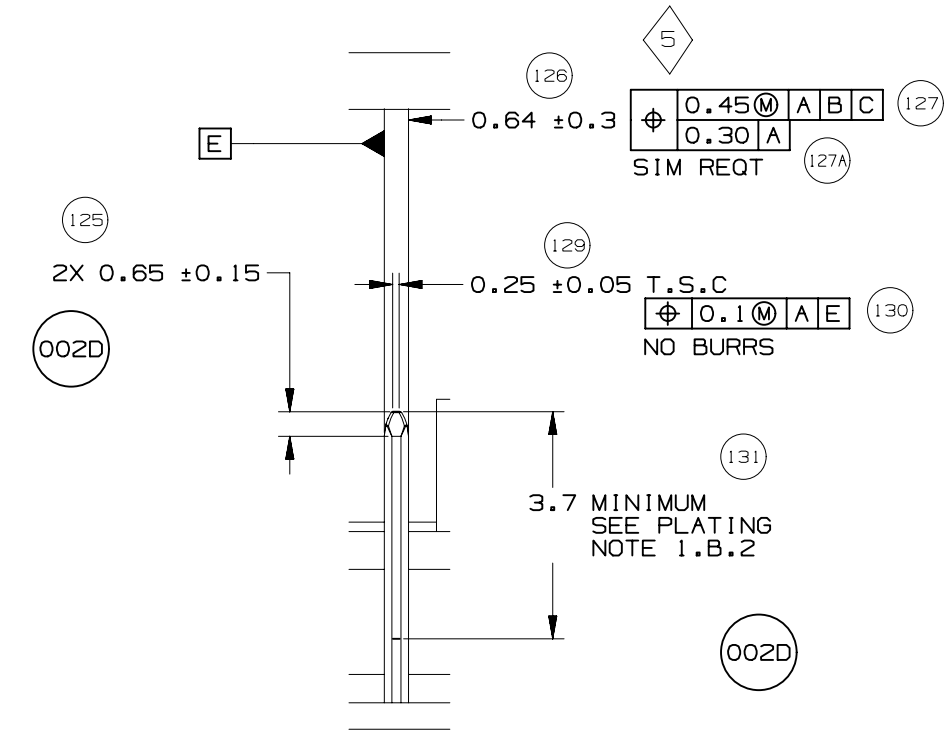
SECTION S-S



DETAIL T
TYPICAL
SCALE 5:1

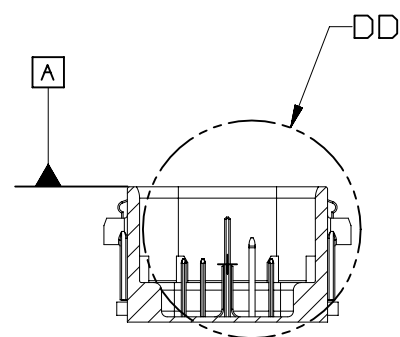
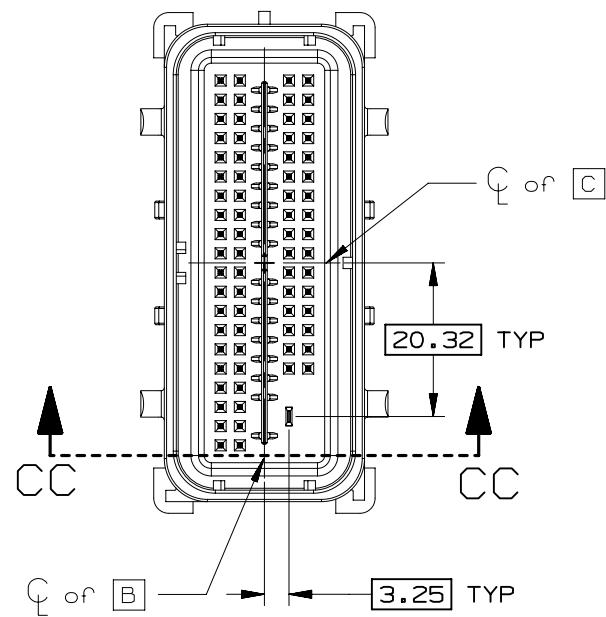


SECTION BB-BB

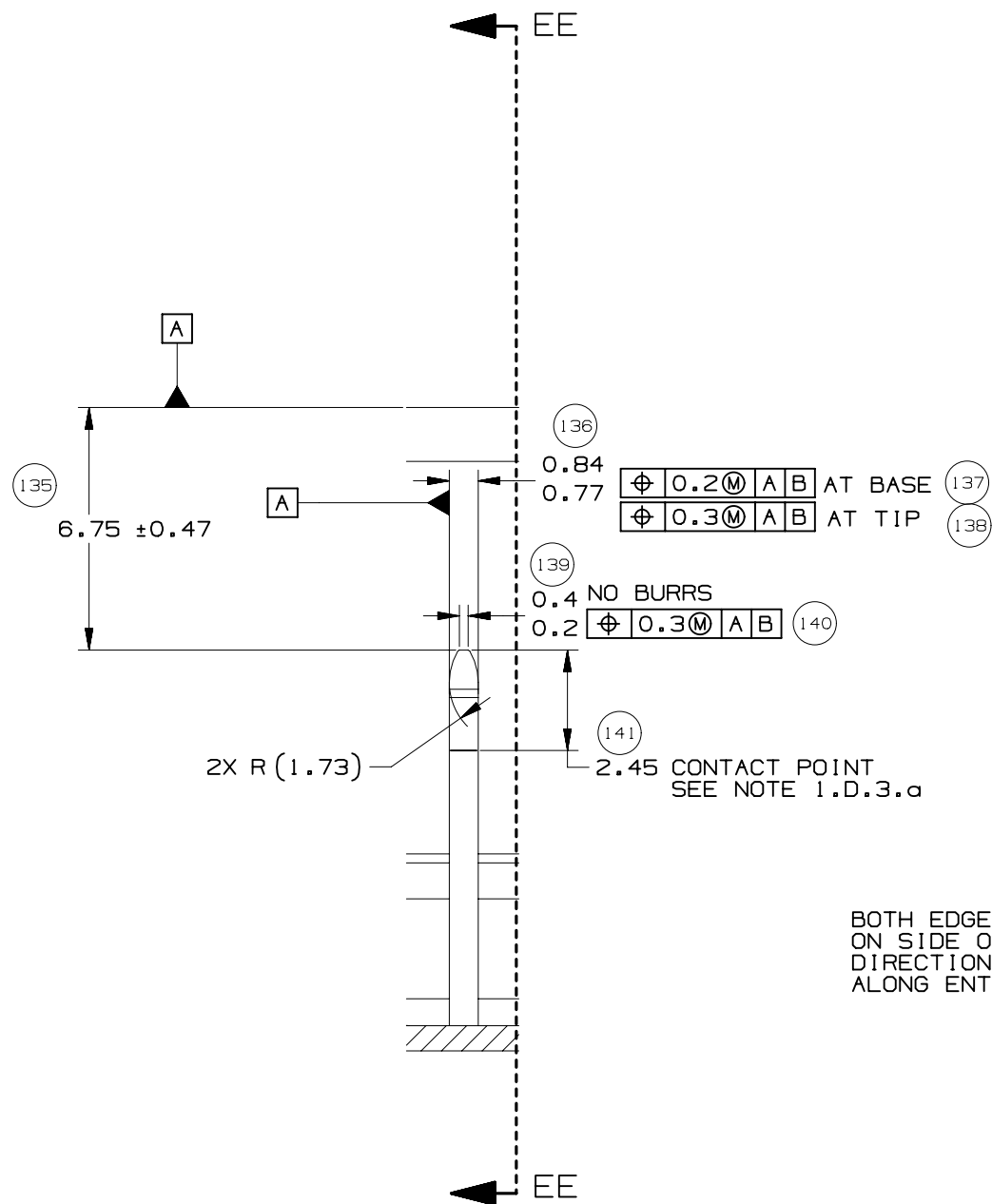


SECTION U-U

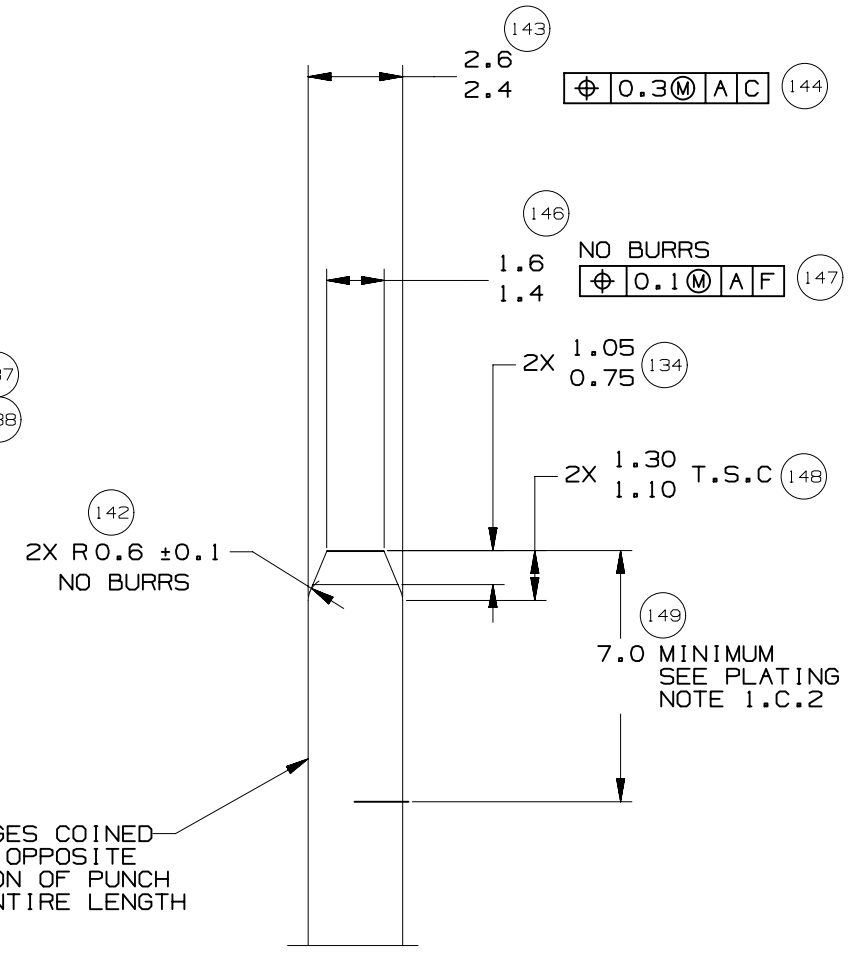




SECTION CC-CC



DETAIL DD
TYPICAL
SCALE 5:1

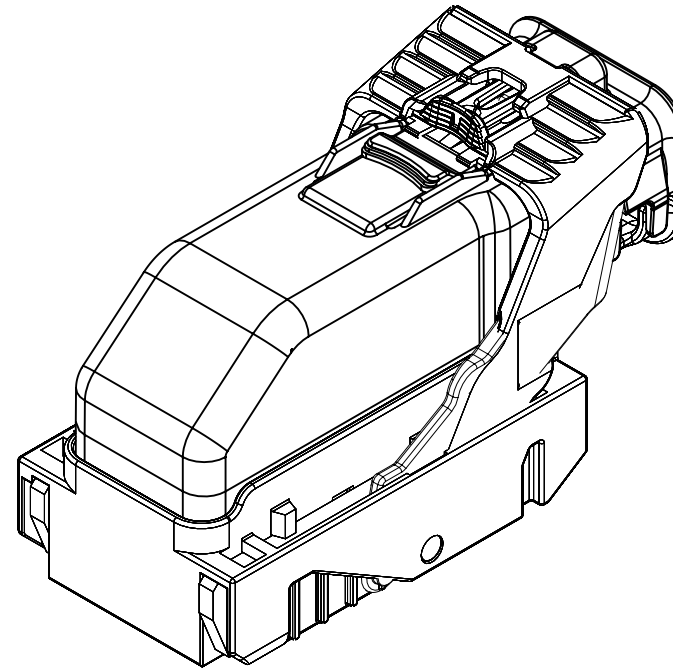


SECTION EE-EE
TYPICAL


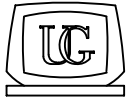
BOTH EDGES COINED
ON SIDE OPPOSITE
DIRECTION OF PUNCH
ALONG ENTIRE LENGTH



INDEX	
PAGE TITLE	PAGE
TITLE BLOCK	1
REVISION BLOCK	2
PART BLOCK	3
KPC BLOCK	4
COMPONENT TABLE	5
NOTES	6
NOTES	7
WIRE DRESS PACKAGING DIMENSIONS	8
LOCATION AND PACKAGING DIMENSIONS REFERENCING INTERFACE DATUMS B & C	9
LOCATION AND PACKAGING DIMENSIONS REFERENCING INTERFACE DATUM A	10
KEY ID REF - WIRE DRESS OPTION 0	11
KEY ID REF - WIRE DRESS OPTION 9	12
CIRCUIT CONFIGURATIONS	13
CIRCUIT CONFIGURATIONS	14
COMPONENT CONNECTOR INTERFACE	15
COMPONENT CONNECTOR INTERFACE	16
COMPONENT CONNECTOR INTERFACE	17
COMPONENT CONNECTOR INTERFACE	18
COMPONENT CONNECTOR INTERFACE	19
COMPONENT CONNECTOR INTERFACE	20
COMPONENT CONNECTOR INTERFACE	21




ISO VIEW

	<p>UNLESS OTHERWISE SPECIFIED: THIS DOCUMENT IS IN ACCORDANCE WITH ASME Y14.5M-1994 AS AMMENDED BY THE GM GLOBAL DIMENSIONING AND TOLERANCING ADDENDUM-1997. ALL GEOMETRIC TOLERANCES AND RELATED DATUMS APPLY RFS. RULE #1 (PERFECT FORM AT MMC) DOES NOT APPLY WHEN A RELATIONSHIP BETWEEN FEATURES IS ESTABLISHED BY ORIENTATION OR LOCATION TOLERANCES. SEPARATE POSITION CALLOUTS MAY BE GAGED SEPARATELY REGARDLESS OF DATUM REFERENCES.</p>			DATE						
	 CHANGE RESTRICTED NO MANUAL CHANGES	REFERENCE 12H (MOLEX AUTOMOTIVE)	DRAFTER J SZYMKOWSKI APVD1 D PFAFFINGER APVD2 B BURT APVD3 APVD4 APVD5	22DE05 22DE05 22DE05 						
DO NOT SCALE	DRAWING NAME HARNESS CONN ASM 66/73/80 CKTS									
METRIC DIMENSIONS SHOWN IN MILLIMETERS UNLESS OTHERWISE SPECIFIED	DRAWING NUMBER 12642695		DWG STATUS <table border="1"> <tr> <th>ST</th> <th>REV</th> <th>PD1</th> </tr> <tr> <td>R</td> <td>002</td> <td></td> </tr> </table>		ST	REV	PD1	R	002	
ST	REV	PD1								
R	002									
			PAGE NUMBER 1 OF 21							

PAGE	DWG STATUS					REVISION HISTORY	AUTH	DR	CK	ENG
	DATE	ST	REV	CHG	PDI					
	19DE11	R	001			RELEASED TO PRODUCTION AT DLS A	CRMRJB	SC	MRO	GF
3	08MY15	R	002	A		REORDERED PART BLOCK AND ADDED MASS CORRECTED P/N TYPO FROM 12562676 TO 12582676				
3, 5		R	002	B		ADDED 12659312, 12659313, 12653574 AND 12653575				
6		R	002	C		REMOVED NOTE 1 . D . 3 . C				
20		R	002	D		DIM 125 WAS 3.25 DIM 131 WAS 5.5	CRMRJD	DFK	MRO	GF

PAGE	DWG STATUS					REVISION HISTORY	AUTH	DR	CK	ENG
	DATE	ST	REV	CHG	PDI					

	PAGE TITLE	DRAWING NUMBER	DWG STATUS			PAGE NUMBER	
	REVISION BLOCK		12642695	ST	REV	PDI	2 OF 21
				R	002		

KEY PRODUCT CHARACTERISTICS
(IN ACCORDANCE WITH QN 1805 OR ON 1050)



SAFETY/COMPLIANCE

TOTAL ON
DRAWING

5



FIT/FUNCTION

LAST NO.
USED

5

NO	TYPE	DESCRIPTION	RATIONALE	PAGE/ZONE
1	F/F	32.68	IMPROVE CONNECTOR SYSTEM MATING	15
2	F/F	29.00	INSURE PROPER RELEASE OF LEVER	15
3	F/F	15.25	INSURE FINAL MATE POSITION	16
5	F/F	POSITIONAL TOLERANCE (2 PLACES)	INSURE CONNECTOR SYSTEM MATEABILITY	19



PAGE TITLE
KPC BLOCK

DRAWING NUMBER

12642695

DWG STATUS

ST	REV	PD1
----	-----	-----

R	002	
---	-----	--

PAGE NUMBER

4 OF 21

LINE	MFG.	MFG. P/N	GM P/N	EFFECTIVE DATE	APPLICABLE COMPONENTS	KEY OPTION	WIRE DRESS OPTION	KEY CONFIG.	COLOR	STATUS
					DESCRIPTION					
-										
1	MOLEX	34565-0003	12582676	02JN03	MX123 DRESS COVER 66/73/80 CKT	N/A	N/A	N/A	BLACK	AVAILABLE
2	MOLEX	34822-0013	12642692	01SP13	MX123 HRNS CONN ASSY 66 CKT	A	0	1458	BLACK	AVAILABLE
3	MOLEX	34822-0033	12659312	01SP13	MX123 HRNS CONN ASSY 66 CKT	C	0	2467	BLUE	AVAILABLE
4	MOLEX	34822-0023	12642693	01SP13	MX123 HRNS CONN ASSY 66 CKT	A	9	1458	BLACK	AVAILABLE
5	MOLEX	34822-0043	12659313	01SP13	MX123 HRNS CONN ASSY 66 CKT	C	9	2467	BLUE	AVAILABLE
6	MOLEX	34566-0103	12582677	11JN04	MX123 HRNS CONN ASSY 73 CKT	A	0	1458	BLACK	AVAILABLE
7	MOLEX	34566-0203	12582678	11JN04	MX123 HRNS CONN ASSY 73 CKT	B	0	1468	ST GRAY	AVAILABLE
8	MOLEX	34566-0303	12615654	09AP08	MX123 HRNS CONN ASSY 73 CKT	C	0	2467	BLUE	AVAILABLE
9	MOLEX	34566-0403	12647268	T.B.D	MX123 HRNS CONN ASSY 73 CKT	D	0	2367	BROWN	NOT ACTIVE
10	MOLEX	34566-0503	AMJ28633	T.B.D	MX123 HRNS CONN ASSY 73 CKT	E	0	2468	GREEN	NOT ACTIVE
11	MOLEX	34566-0603	12653574	05DC14	MX123 HRNS CONN ASSY 73 CKT	F	0	1357	NATURAL	AVAILABLE
12	MOLEX	34566-0703	12588057	09AP08	MX123 HRNS CONN ASSY 80 CKT	G	0	1358	BLUE	AVAILABLE
13	MOLEX	34566-0803	12588058	11JN04	MX123 HRNS CONN ASSY 80 CKT	H	0	2458	ST GRAY	AVAILABLE
14	MOLEX	34566-0903	12615656	T.B.D	MX123 HRNS CONN ASSY 80 CKT	J	0	2457	BLACK	NOT ACTIVE
15	MOLEX	34566-1003	AMJ28595	T.B.D	MX123 HRNS CONN ASSY 80 CKT	K	0	2357	BROWN	NOT ACTIVE
16	MOLEX	34566-1103	AMJ29057	T.B.D	MX123 HRNS CONN ASSY 80 CKT	L	0	2368	GREEN	NOT ACTIVE
17	MOLEX	34566-1203	AMJ28669	T.B.D	MX123 HRNS CONN ASSY 80 CKT	M	0	2358	NATURAL	NOT ACTIVE
18	MOLEX	34566-1303	12603596	11JN04	MX123 HRNS CONN ASSY 73 CKT	A	9	1458	BLACK	AVAILABLE
19	MOLEX	34566-1403	12603597	11JN04	MX123 HRNS CONN ASSY 73 CKT	B	9	1468	ST GRAY	AVAILABLE
20	MOLEX	34566-1503	12615655	09AP08	MX123 HRNS CONN ASSY 73 CKT	C	9	2467	BLUE	AVAILABLE
21	MOLEX	34566-1603	12647269	T.B.D	MX123 HRNS CONN ASSY 73 CKT	D	9	2367	BROWN	NOT ACTIVE
22	MOLEX	34566-1703	AMJ28698	T.B.D	MX123 HRNS CONN ASSY 73 CKT	E	9	2468	GREEN	NOT ACTIVE
23	MOLEX	34566-1803	12653575	05DC14	MX123 HRNS CONN ASSY 73 CKT	F	9	1357	NATURAL	AVAILABLE
24	MOLEX	34566-1903	12603598	09AP08	MX123 HRNS CONN ASSY 80 CKT	G	9	1358	BLUE	AVAILABLE
25	MOLEX	34566-2003	12603599	11JN04	MX123 HRNS CONN ASSY 80 CKT	H	9	2458	ST GRAY	AVAILABLE
26	MOLEX	34566-2103	12615657	T.B.D	MX123 HRNS CONN ASSY 80 CKT	J	9	2457	BLACK	NOT ACTIVE
27	MOLEX	34566-2203	AMJ29117	T.B.D	MX123 HRNS CONN ASSY 80 CKT	K	9	2357	BROWN	NOT ACTIVE
28	MOLEX	34566-2303	AMJ29136	T.B.D	MX123 HRNS CONN ASSY 80 CKT	L	9	2368	GREEN	NOT ACTIVE
29	MOLEX	34566-2403	AMJ29214	T.B.D	MX123 HRNS CONN ASSY 80 CKT	M	9	2358	NATURAL	NOT ACTIVE
30	MOLEX	34736-2002	12642697	01AU10	MX64 RCPT TERM Ag 18/20 GAGE B (RIGHT PAYOFF)	N/A	N/A	N/A	N/A	AVAILABLE
31	MOLEX	34736-2001	12642696	01AU10	MX64 RCPT TERM Ag 22 GAGE B (RIGHT PAYOFF)	N/A	N/A	N/A	N/A	AVAILABLE
32	MOLEX	34586-0001	T.B.D.	11JN04	MX123 0.64MM GROMMET PLUG	N/A	N/A	N/A	NATURAL	AVAILABLE
33	YAZAKI	7116-4150-02	12588066	02JN03	2.8mm YESC SEALED FEMALE TERMINAL TIN 20/22 GAGE (CABLE RANGE 0.30mm-0.60mm)	N/A	N/A	N/A	N/A	NOT ACTIVE
34	YAZAKI	7116-4151-02	12588067	02JN03	2.8mm YESC SEALED FEMALE TERMINAL TIN 16/18 GAGE (CABLE RANGE 0.75mm-1.40mm)	N/A	N/A	N/A	N/A	NOT ACTIVE
35	YAZAKI	7116-4152-02	12582685	02JN03	2.8mm YESC SEALED FEMALE TERMINAL TIN 14 GAGE (CABLE RANGE 1.50mm-2.50mm)	N/A	N/A	N/A	N/A	AVAILABLE
36	YAZAKI	7158-3111-60	12588068	02JN03	2.8mm CABLE SEAL (wire O.D. range 1.20mm-1.90mm)	N/A	N/A	N/A	GREEN	NOT ACTIVE
37	YAZAKI	7158-3112-70	12588069	02JN03	2.8mm CABLE SEAL (wire O.D. range 1.80mm-2.30mm)	N/A	N/A	N/A	YELLOW	NOT ACTIVE
38	YAZAKI	7158-3113-40	12582686	02JN03	2.8mm CABLE SEAL (wire O.D. range 2.18mm-3.00mm)	N/A	N/A	N/A	WHITE	AVAILABLE
39	YAZAKI	7158-3114-90	T.B.D	02JN03	2.8mm YESC CAVITY PLUG	N/A	N/A	N/A	BLUE	AVAILABLE
40	MOLEX	63811-4200	XX019825	02JN03	MX64 TERM HAND CRIMP TOOL	N/A	N/A	N/A	N/A	AVAILABLE
41	MOLEX	63813-1400	XX019826	02JN03	MX64 TERM SERVICE TOOL	N/A	N/A	N/A	N/A	AVAILABLE
42	MOLEX	63865-8000	XX019827	02JN03	MX64 CRIMP APPLICATOR with TOOL KIT 18/20 GAGE PAYOFF DIRECTION D (left payoff) (contact Molex for payoff detail)	N/A	N/A	N/A	N/A	AVAILABLE
43	MOLEX	63865-8070	XX019828	02JN03	MX64 APPLICATOR TOOL KIT 18/20 GAGE	N/A	N/A	N/A	N/A	AVAILABLE
44	MOLEX	63865-8100	XX019829	02JN03	MX64 CRIMP APPLICATOR with TOOL KIT 22 GAGE PAYOFF DIRECTION D (left payoff) (contact Molex for payoff detail)	N/A	N/A	N/A	N/A	AVAILABLE
45	MOLEX	63865-8170	XX019830	02JN03	MX64 APPLICATOR TOOL KIT 22 GAGE	N/A	N/A	N/A	N/A	AVAILABLE
46	SPX	J35616-64	T.B.D.	02JN03	0.64mm PROBE TOOL (for rcpt)	N/A	N/A	N/A	N/A	AVAILABLE
47	SPX	J35616-64A	T.B.D.	02JN03	0.64mm PROBE TOOL WITH EXT (for rcpt)	N/A	N/A	N/A	N/A	AVAILABLE
48	SPX	J35616-65	T.B.D.	02JN03	0.64mm PROBE TOOL WITH EXT (for pin)	N/A	N/A	N/A	N/A	AVAILABLE
49	SPX	J35616-4A	T.B.D.	02JN03	2.8mm PROBE TOOL (for rcpt)	N/A	N/A	N/A	N/A	AVAILABLE
50	YAZAKI	X39899-J374	12094430	02JN03	2.8mm TERM SERVICE TOOL	N/A	N/A	N/A	N/A	AVAILABLE

002B

* - MX123 DRESS COVER 73/80/66 CKT MATES TO ANY MX123 HARN CONN ASSY SHOWN ON TABLE ABOVE



PAGE TITLE
COMPONENT TABLE

DRAWING NUMBER
12642695

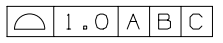
DWG STATUS			PAGE NUMBER
ST	REV	PD1	
R	002		5 OF 21

NOTES: UNLESS OTHERWISE SPECIFIED

1. MATERIAL FOR INTERFACE:

- A. RESIN:
 - 1. 30% G.F. PBT; 20% MAX. (BY WEIGHT) REGRIND.
 - 2. MATING CONNECTOR INTERFACE PART COLOR MUST BE SAME AS MATCHING KEYED HARNESS CONNECTOR ASSEMBLY.
 - 3. MUST BE VALIDATED FOR INDIVIDUAL DEVICE APPLICATION REQUIREMENTS.
- B. 0.64MM PINS:
 - 1. BASE MATERIAL: COPPER ALLOY; CONDUCTIVITY >= 28% IACS AT 20°C; TENSILE STRENGTH >= 635 N/mm²; SURFACE ROUGHNESS R_a 6 MAX.
 - 2. PLATING FINISH: SILVER (Ag). PLATING TO BE 1.9-3.3 μm ELECTRODEPOSITED SEMI-BRIGHT SILVER OVER 1.25-2.25 μm DUCTILE SULPHAMATE NICKEL PER NOTE 1(D).
 - 3. ANTI-TARNISH: SYNTHETIC HYDROCARBON CONTACT SURFACE FINISH OR EQUIVALENT APPLIED WITHOUT VOID TO CONTACT AREA (MIN 3.7mm FROM PIN TIP).
- C. 2.8MM BLADE:
 - 1. BASE MATERIAL: COPPER ALLOY; CONDUCTIVITY >= 28% IACS AT 20°C; TENSILE STRENGTH >= 350 N/mm²; SURFACE ROUGHNESS R_a 6 MAX.
 - 2. PLATING FINISH: TIN. PLATING TO BE 2.5-5.0 μm ELECTRODEPOSITED TIN, MATTE FINISH OVER 1.25-2.5 μm DUCTILE SULPHAMATE NICKEL PER NOTE 1(D).
- D. PLATING REQUIREMENTS:
 - 1. SILVER PLATING
 - a. 99.5% PURE SEMI-BRIGHT WITH NO ORGANIC BRIGHTNERS OR CHROMATES.
 - 2. NICKEL PLATING
 - a. ELECTRODEPOSITED DUCTILE SULFAMATE NICKEL WITH A NON-BRIGHTENED FINISH. NO ORGANIC OR BRIGHTENING AGENTS SHALL BE ALLOWED.
 - b. SHALL ONLY BE USED AS AN UNDERLYING PLATING AND MAY NOT BE USED AS AN ELECTRICAL CONTACT SURFACE PLATING.
 - c. SHALL BE NODULE FREE WHEN VIEWED AT 10X MAGNIFICATION IN MEASURED IN CONTACT SURFACE AREA PLUS 0.5MM PERIMETER AROUND THE CONTACT SURFACE AREA.
 - d. ALL PLATINGS SHALL HAVE A 1.0% MAXIMUM BY WEIGHT IMPURITIES. IMPURITIES ARE DEFINED AS ALL ELEMENTS NOT THE PRIMARY PLATING OR HARDENING AGENT IF APPLICABLE, AS DETERMINED BY WET CHEMICAL ANALYSIS OR AUGER METHOD. NO SINGLE IMPURITY SHALL EXCEED 0.1% MAXIMUM BY WEIGHT.
 - 3. TESTING
 - a. THICKNESS TO BE MEASURED IN CONTACT SURFACE AREA PLUS 0.5MM PERIMETER AROUND THE CONTACT SURFACE AREA AS DESIGNATED IN THE DRAWING. THICKNESS SHALL BE DETERMINED BY METHOD OF X-RAY (XRF).
 - b. PLATING ADHESION SHALL BE TESTED BY A BEND TEST FOR ALL METALS. THE TEST SAMPLE SHALL BE BENT 90 DEGREES TO DETERMINE DEPOSIT ADHESION. TESTING SHALL BE COMPLETED IN ACCORDANCE WITH ASTM SPEC B571.


2. DESIGN - GENERAL:

- A. THIS IS A 100% CAD GENERATED PART. THE CAD MATHEMATICAL DATA IS THE MASTER FOR THIS PART. FOR DIMENSIONAL OR ANY INFORMATION NOT SHOWN ON THIS DRAWING, ANALYZE THE CAD MODEL.
- B. TOLERANCES:
 - 1. LINEAR
 - 0.X ± 0.30
 - 0.XX ± 0.10
 - 0.XXX ± 0.10
 - 2. ANGULAR X° ± 3°
 - 3. 
- C. MINIMUM WALL THICKNESS REQUIRED: 1.3mm.
- D. CORNERS SHOWN AS SHARP TO BE R 0.2 MAX.
- E. LETTERING SHALL BE 0.15 MAX RAISED IN 0.20 MAX RECESS PAD. THIS INCLUDES MATERIAL CODE, RECYCLING CODE, CAVITY ID AND DATE CODE.
- F-1. PARTS MUST BE FREE OF DISCOLORATION, SALT RESIDUE AND OTHER IMPERFECTIONS THAT AFFECT FIT OR FUNCTION.
- F-2. SCRATCHES OR DENTS NOT TO EXCEED 0.013mm IN DEPTH.
- G. FOLLOWING PRODUCTION CODES TO BE PERMANENTLY MARKED & HUMAN READABLE TO A LETTER HEIGHT OF 1.5 ± 0.5MM X 0.3 MAX DEEP
 - 1. MATERIAL #: XXXXX-XXXX
 - 2. DATE CODE: JJYY (JULIAN DAY, LAST DIGIT OF YEAR)
 - 3. INSPECTION MACHINE CODE + SERIAL #: X_XXXXX

3. DESIGN - MANUFACTURING:

- A. DRAFT TO BE WITHIN TOLERANCE.
- B. ALLOWABLE FLASH MAX 0.2 HIGH X MAX 0.13 THICK.
- C. ALLOWABLE PARTING LINE MISMATCH 0.2 MAX.
- D. EJECTOR PINS MARK TO BE FLUSH TO 0.25 MAX DEPRESSED.
- E. ALLOWABLE GATE VESTIGE FLUSH TO 0.25 MAX PROTRUSION.
- F. NO EXTERNAL MOLD RELEASE AGENT ALLOWED DURING MANUFACTURING.
- G. STEEL THAT FORMS THE INDICATED SURFACE MUST BE POLISHED WITH A DIAMOND FINISH (SPI A-2) OVER THE FULL PERIPHERY OF THE TOOL. SURFACE MUST HAVE NO MISMATCH.
- H. ANY PROCESS LUBRICANT REMAINING ON THE TERMINAL MUST NOT VARNISH OR DEGRADE IT'S ELECTRICAL PERFORMANCE UP TO A MAXIMUM CLASS AMBIENT TEMPERATURE PER SAE USCAR-2 FOR 1008 HOURS. PROCESS LUBRICANTS SHOULD BE APPROVED BY THE RESPONSIBLE ENGINEER.
- J. OPTIONAL FEATURES PROVIDED FOR AUTOMATION.
- K. PART MUST BE FREE FROM BURRS AND SHARP EDGES, WHICH MIGHT BE DETRIMENTAL TO SATISFACTORY ASSEMBLY, SAFE HANDLING OR FUNCTION OF PART.
- L. PARTS AS DELIVERED TO ASSEMBLY SHALL BE CLEAN AND FREE OF DEBRIS, RESIDUAL ABRASIVE MATERIAL AND CORROSION PRODUCTS ADVERESLY AFFECTING FUNCTION OR APPEARANCE.
- M. RESTRICTED AND REPORTABLE SUBSTANCES FOR PARTS PER GMW3059.

002C

	PAGE TITLE	DRAWING NUMBER	DWG STATUS			PAGE NUMBER	
	NOTES		12642695	ST	REV	PDI	6 OF 21
				R	002		

NOTES: UNLESS OTHERWISE SPECIFIED

4. SYSTEM REQUIREMENTS:

A. HARNESS CONNECTOR IS COMPATIBLE WITH THE FOLLOWING SAE WIRE SIZE NO'S:

- 14, MEETING SAE J1128
- 18, MEETING SAE J1128, MAX O.D. OF 2.06 MM
- 20, MEETING SAE J1128
- 22, MEETING SAE J1128, MIN O.D. OF 1.47 MM

B. CABLE TIE SPECIFICATIONS:

- 1. CABLE TIE:
 - TENSILE RATING: 220N / (50lbs) MIN
 - TIE LENGTH: 186mm MIN
 - TIE WIDTH: 4.75mm MAX
 - MATERIAL: NYLON
- 2. INSTALLATION:
 - CABLE TIE TENSION: 190N MIN
- 3. DRESSED WIRE BUNDLE PACKAGING: SEE FIG. 1

C. WHEN MATED WITH COMPONENT CONNECTOR INTERFACE AND/OR DRESS COVER, HARNESS CONNECTOR SYSTEM CONFORMS TO THE FOLLOWING:

- 1. SAE/USCAR-2, REV: 3 APRIL, 2001; CLASS 3
- 2. FIELD CORRELATED LIFE TEST, SAE/USCAR-20, NOV. 2001
- 3. GMW #3191 AUGUST 22, 2000 (DRAFT); TEMPERATURE CLASS 3, SEALING CLASS 1, VIBRATION CLASS 2
- 4. RESTRICTED AND REPORTABLE CHEMICALS PER GMW #3059, REV: D AUGUST 2002
- 5. TPA USER FORCES (FULLY POPULATED WITH TERMINALS)
 - a. REMOVAL FROM LOCK TO PRE-SET: <=120N

D. WIRE SPECIFICATIONS:

- 1. WIRE SURFACE MUST BE FREE OF SCRATCHES, GROOVES OR DENTS WHERE FUNCTIONAL

5. TERMINAL CURRENT RATINGS:

ALL TESTING DONE IN ACCORDANCE WITH USCAR-2 REV5 SECTION 5.3

A. MX64 RCPT TERM

- 1. MX64 RCPT TERM Ag 18/20 GAGE CRIMPED TO SAE WIRE SIZE NO.18 AND MATED TO MX123 0.64MM PIN: 11.3 AMPS
- 2. MX64 RCPT TERM Ag 22 GAGE CRIMPED TO SAE WIRE SIZE NO.22 AND MATED TO MX123 0.64MM PIN:8.5 AMPS

WIRE	CURRENT RATING			
	23°C	85°C	105°C	125°C
18AWG	11.3A	11.3A	9.5A	6.6A
20AWG	10.0A	10.0A	8.3A	5.7A
22AWG	8.6A	8.6A	7.1A	5.0A

B. 2.8MM RCPT TERM

- 1. 2.8MM RCPT TERM TIN 14 GAGE CRIMPED TO SAE WIRE SIZE NO.14 AND MATED TO MX123 2.8MM BLADE: 25.6 AMPS

6. CONTACT MOLEX AUTOMOTIVE FOR AVAILABLE CUSTOM PATTERNS OF CAVITIES OPEN FOR CIRCUITS



PAGE TITLE
NOTES

DRAWING NUMBER

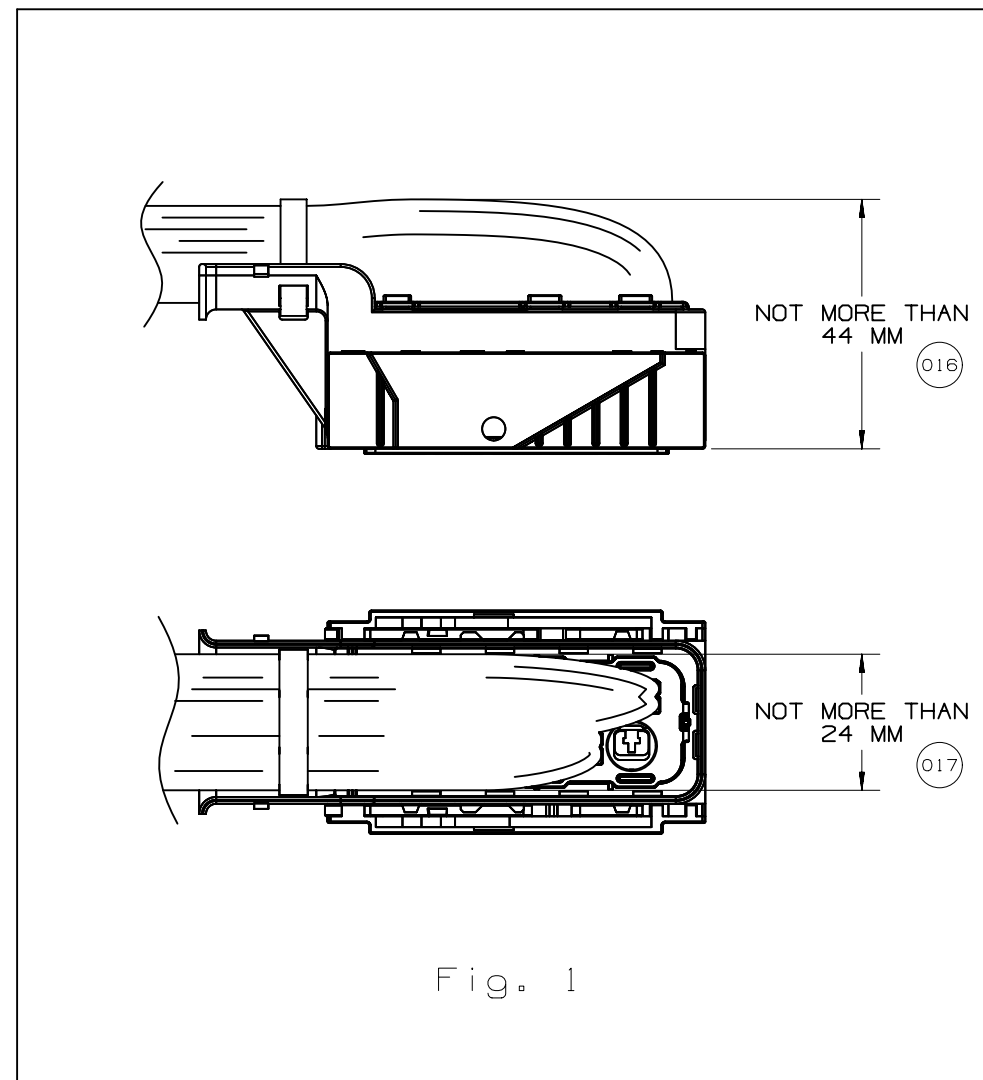
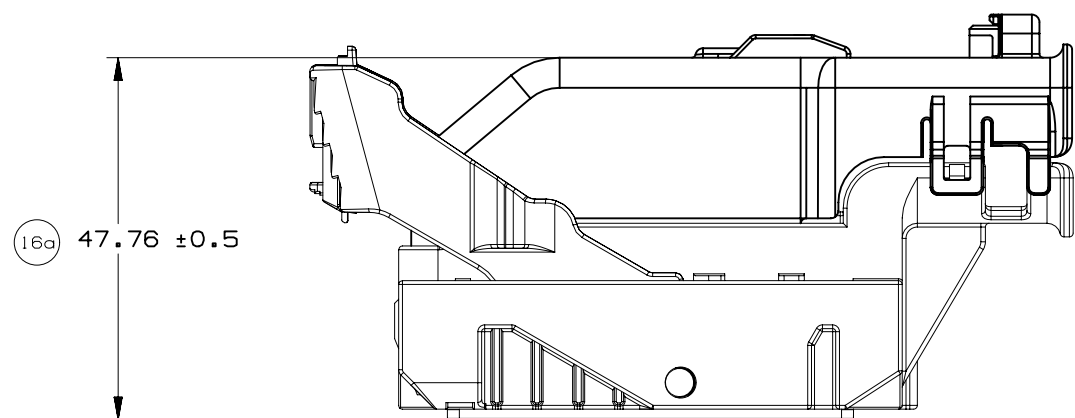
12642695

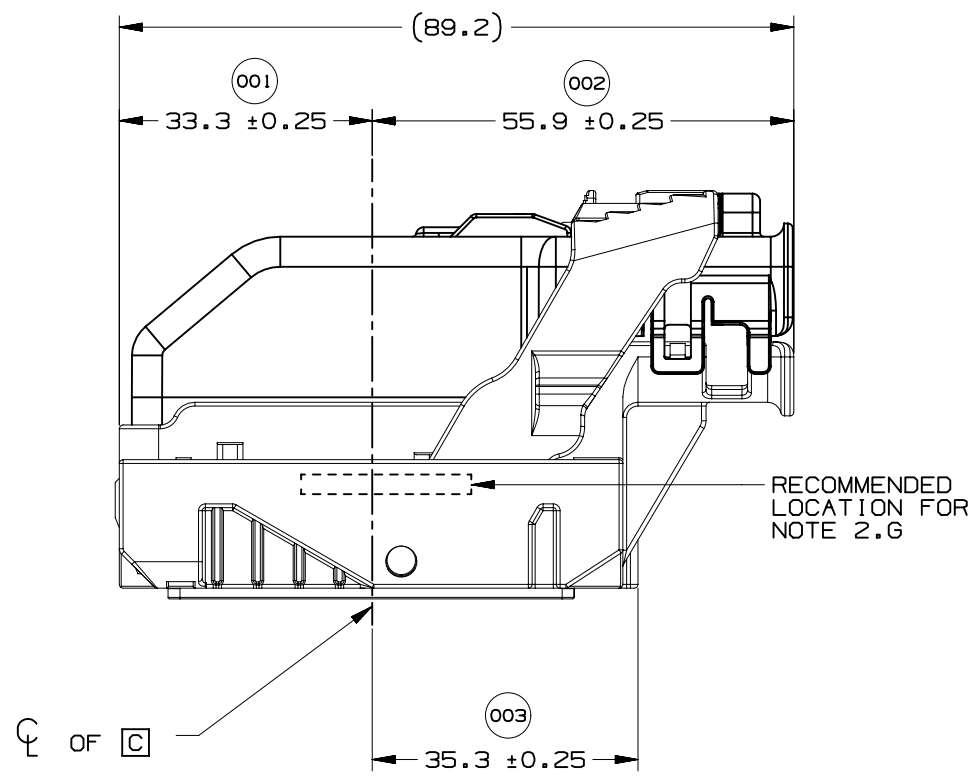
DWG STATUS

ST	REV	PDI
R	002	

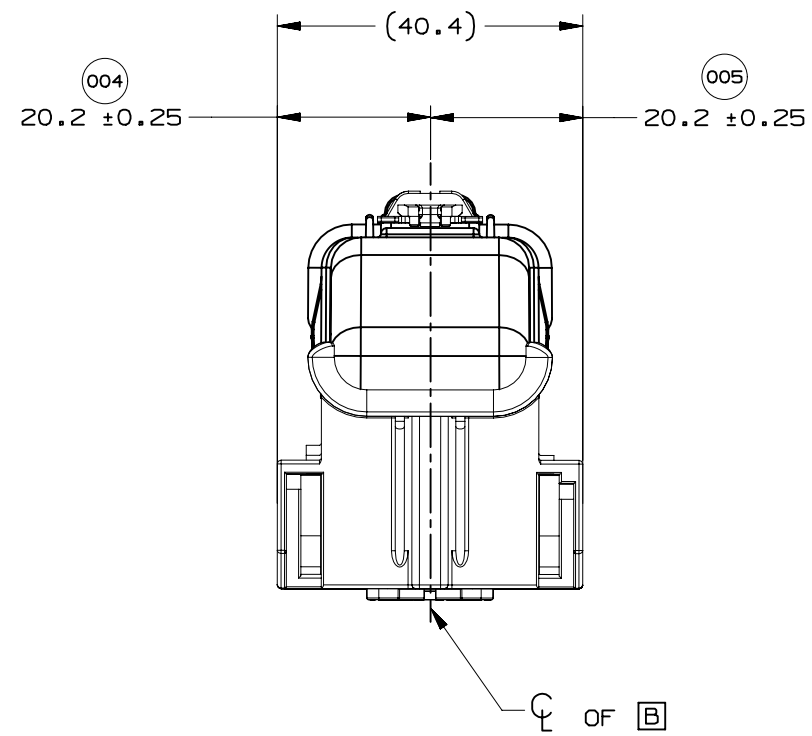
PAGE NUMBER

7 OF 21

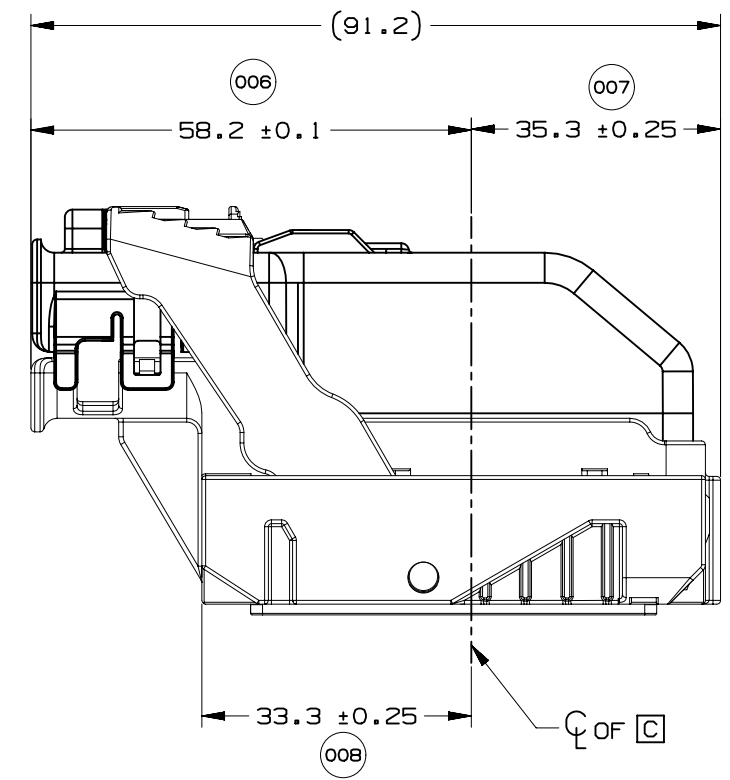




WIRE DRESS OPTION 0 SHOWN

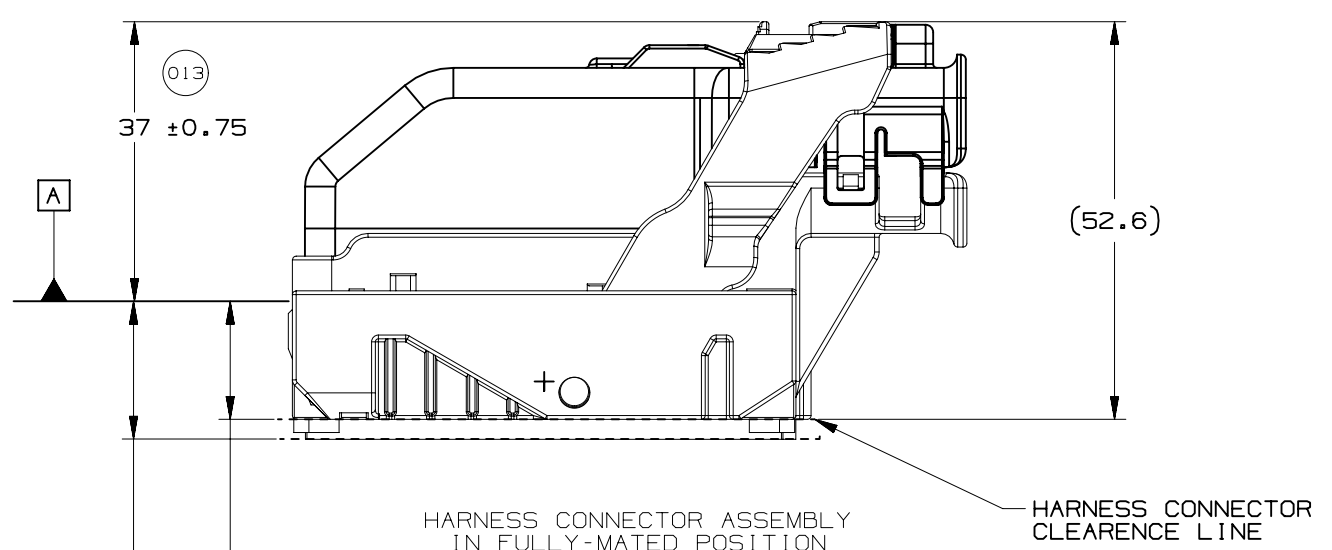
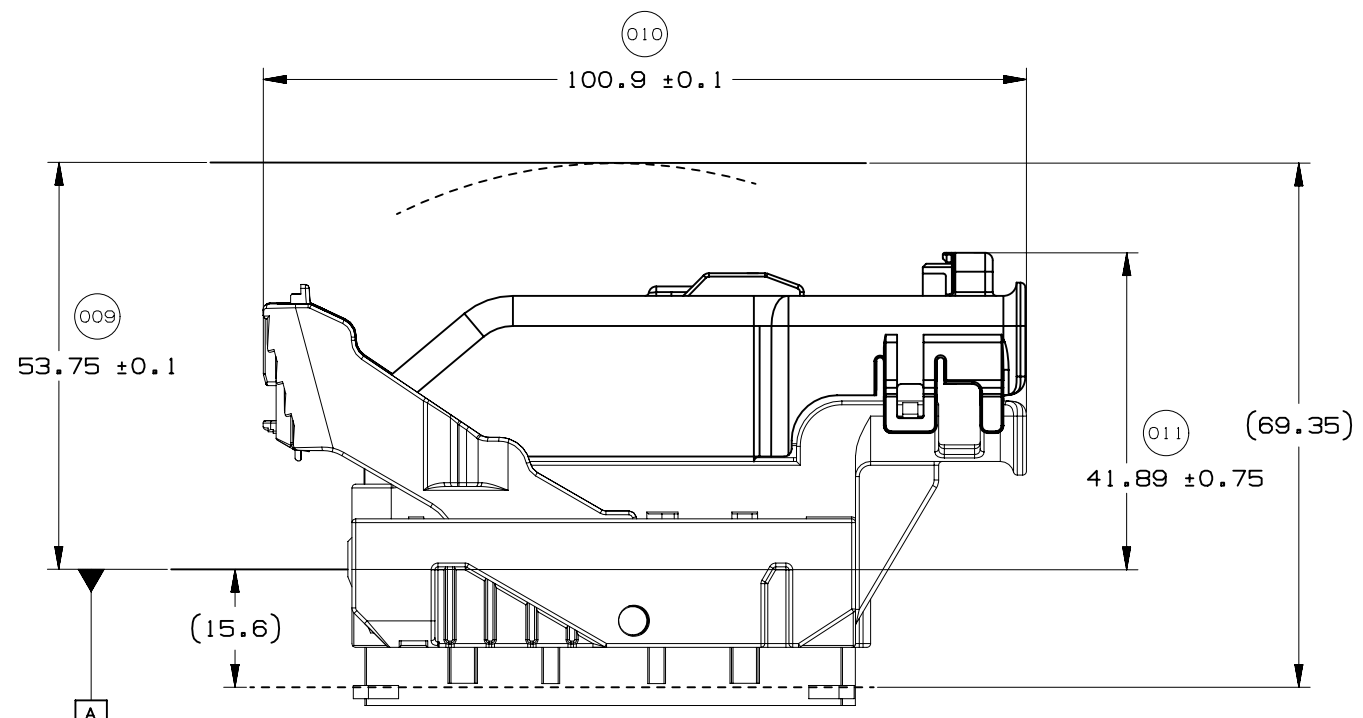
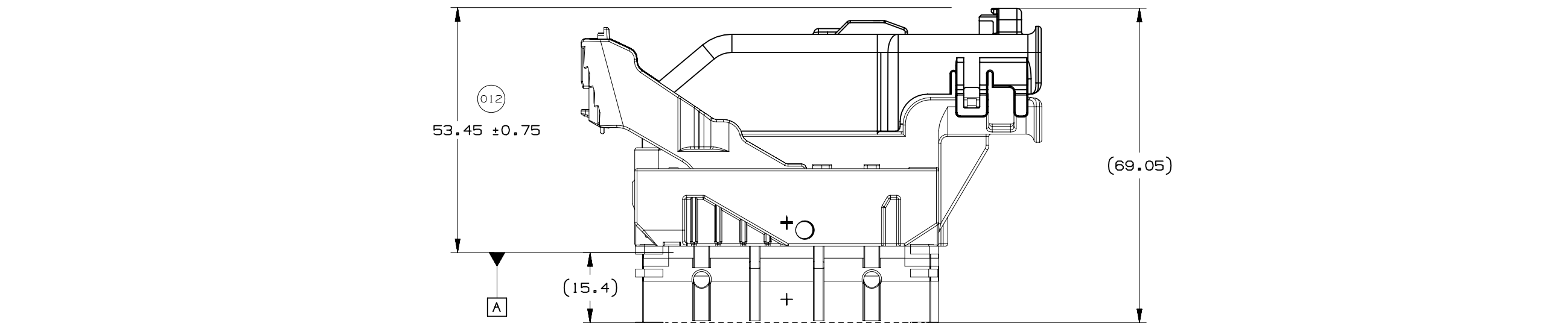


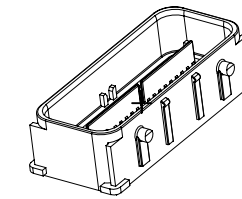
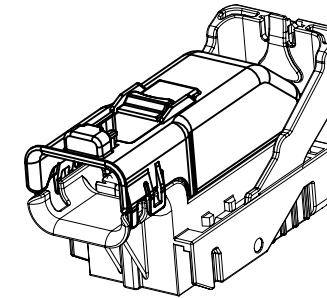
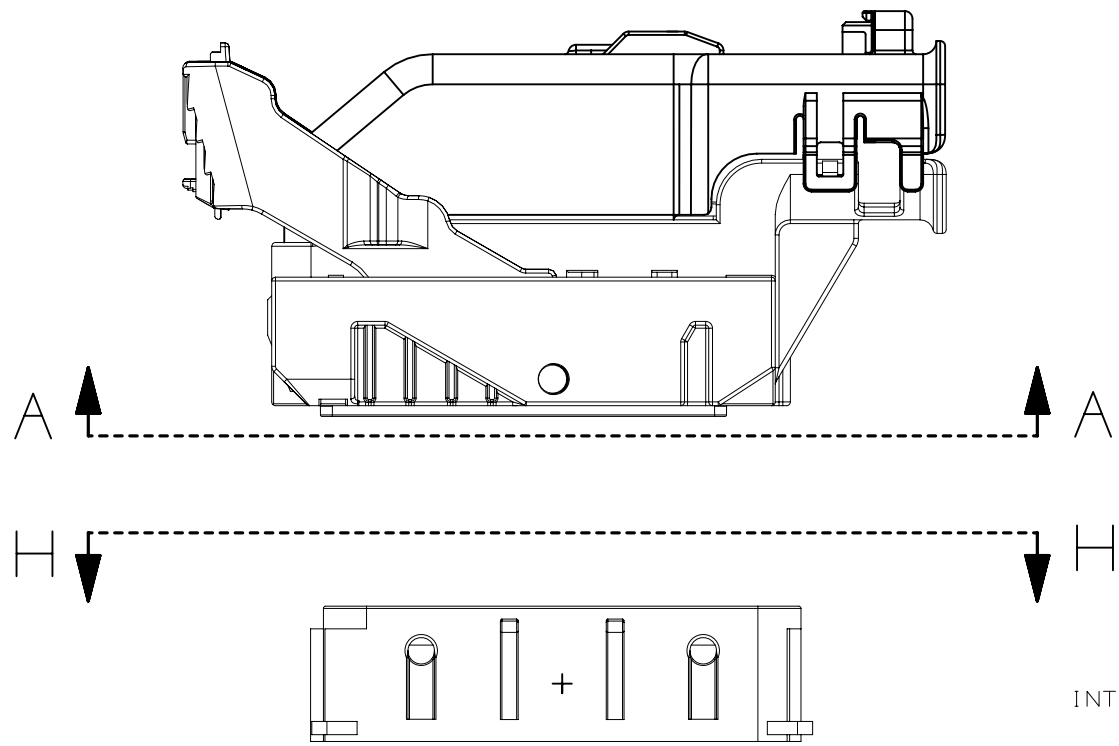
WIRE DRESS OPTION 0 SHOWN



WIRE DRESS OPTION 9 SHOWN

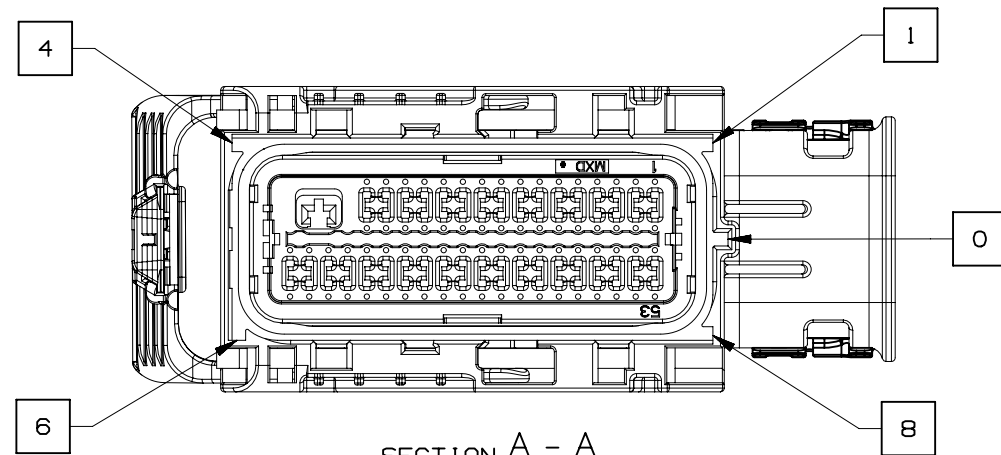




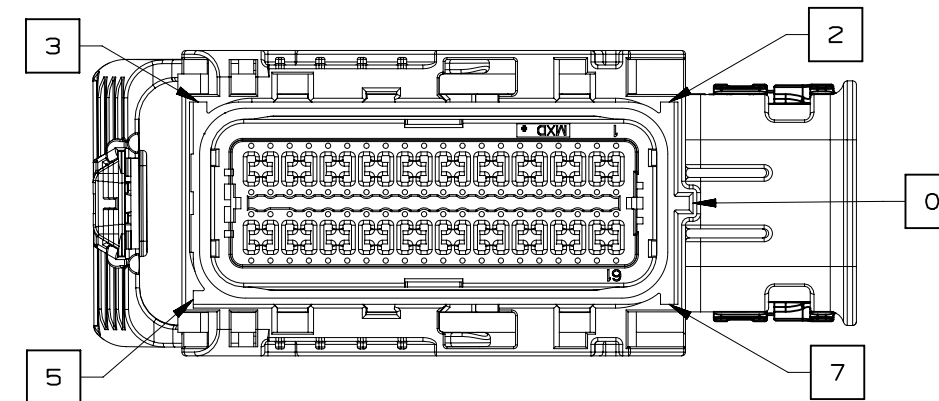


NOTE: REFERENCE THE COMPONENT TABLE FOR KEY OPTIONS AND CONFIGURATIONS

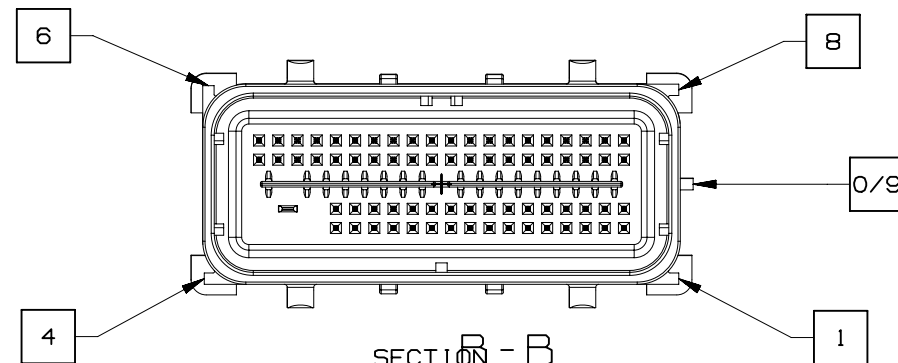
INTERFACE SIDE SHOWN ON ALL SECTION VIEWS



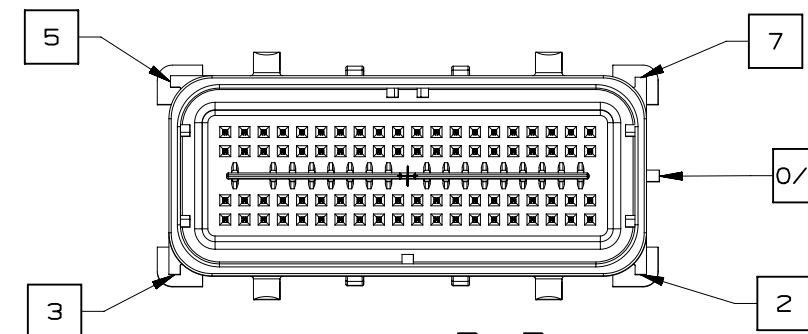
SECTION A - A
KEY OPTION B SHOWN



SECTION A - A
KEY OPTION K SHOWN



SECTION B - B
KEY OPTION B SHOWN



SECTION B - B
KEY OPTION K SHOWN

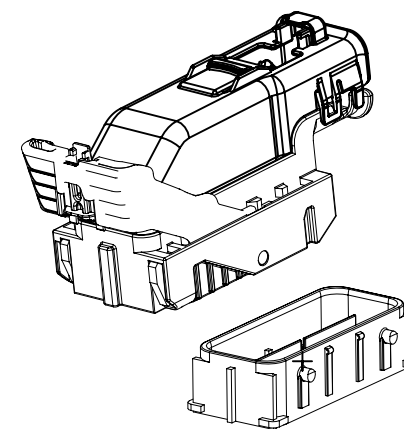
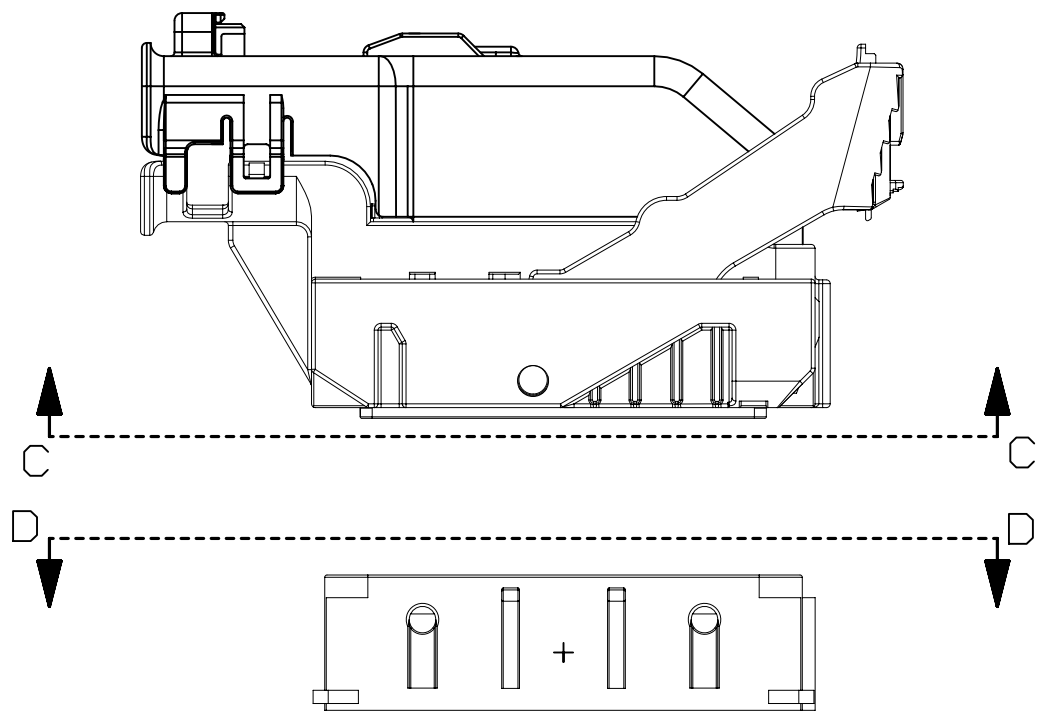


PAGE TITLE
KEY ID REF - WIRE DRESS OPTION 0

DRAWING NUMBER
12642695

DWG STATUS		
ST	REV	PD1
R	002	

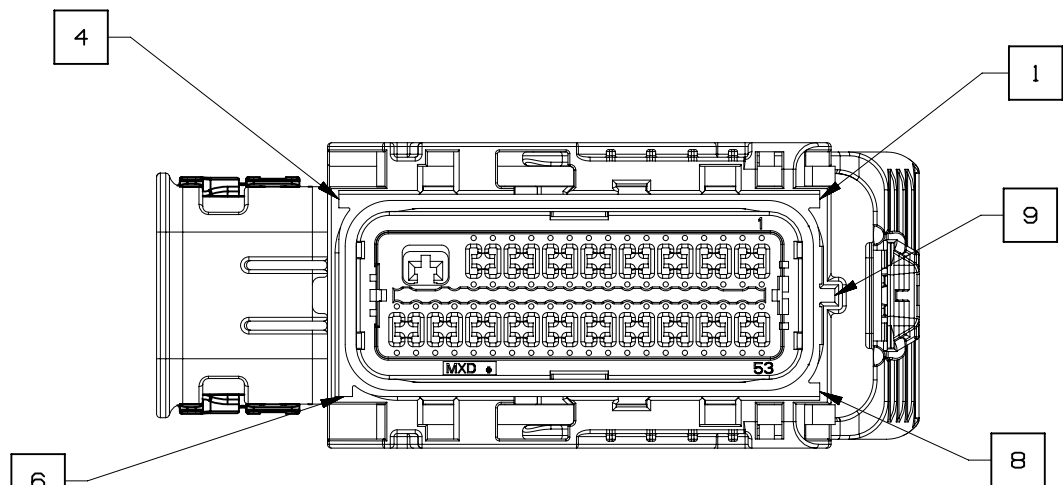
PAGE NUMBER
11 OF 21



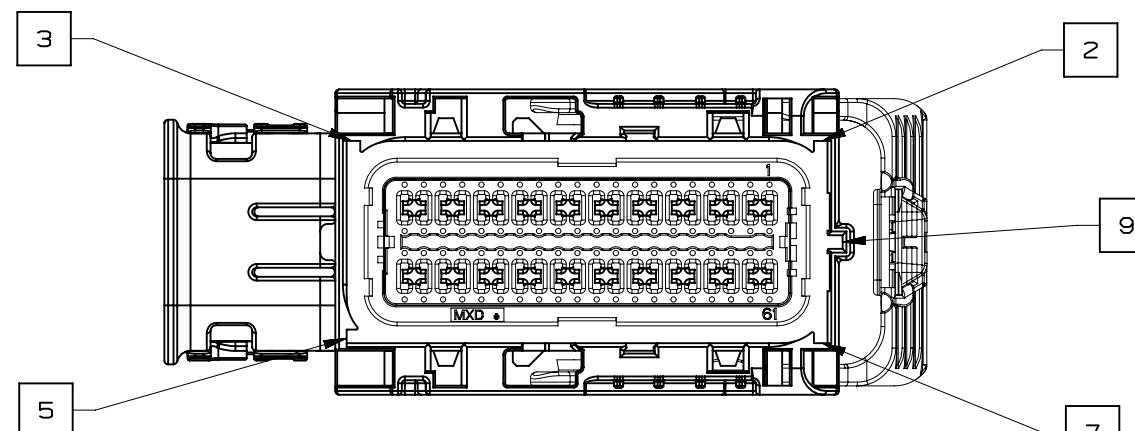
NOTE: REFERENCE THE COMPONENT TABLE FOR KEY OPTIONS AND CONFIGURATIONS

VIEW V

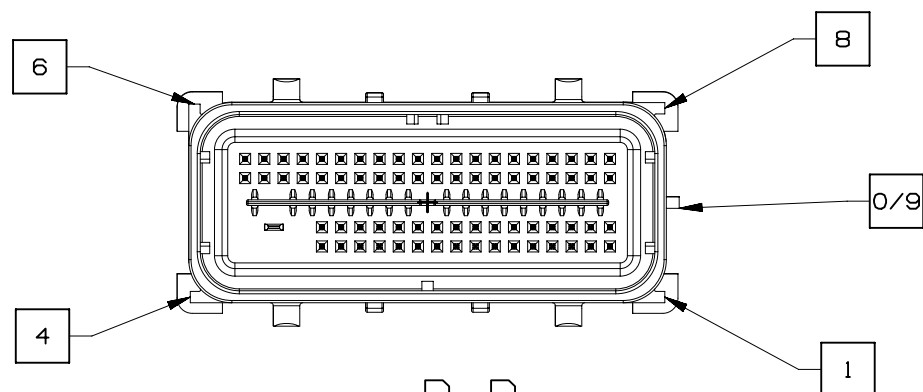
INTERFACE SIDE SHOWN ON ALL SECTION VIEWS



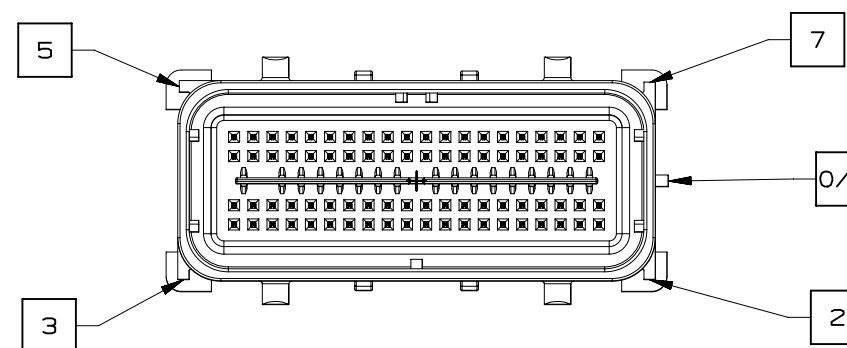
SECTION C-C
KEY OPTION B SHOWN



SECTION C-C
KEY OPTION K SHOWN



SECTION D-D
KEY OPTION B SHOWN



SECTION D-D
KEY OPTION K SHOWN

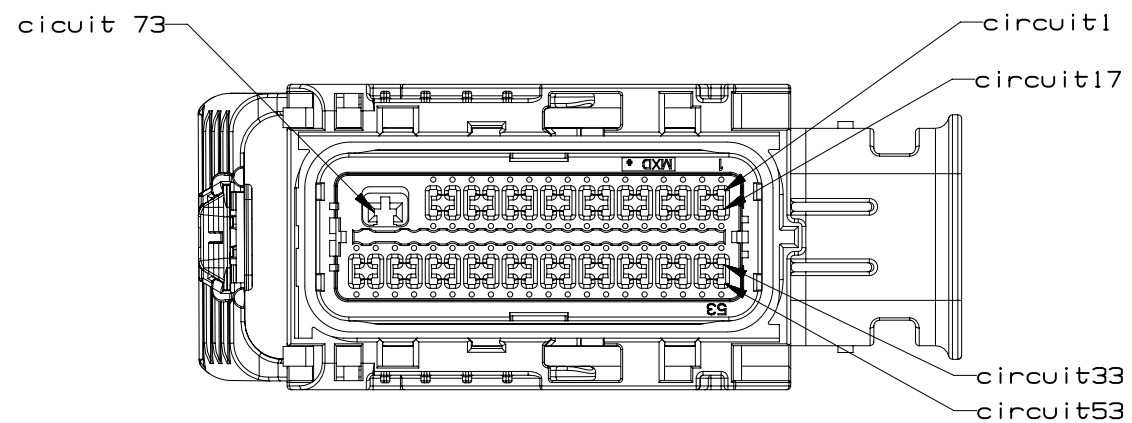


PAGE TITLE
KEY ID REF - WIRE DRESS OPTION 9

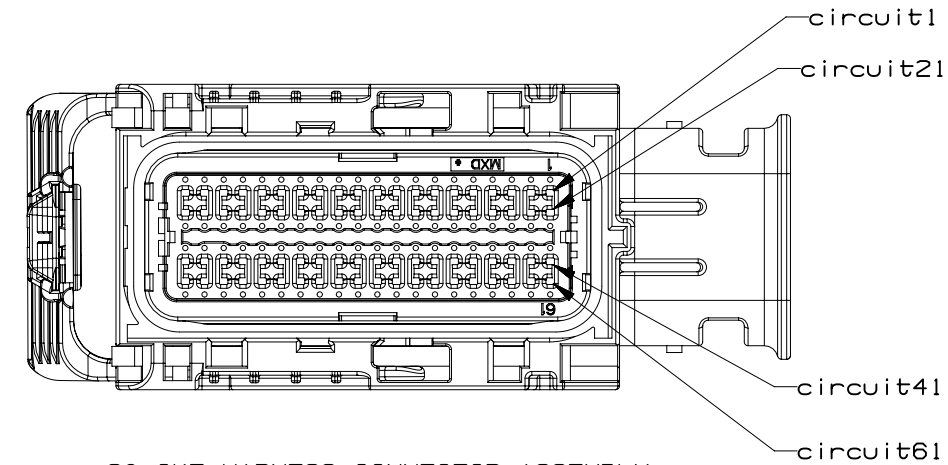
DRAWING NUMBER
12642695

DWG STATUS		
ST	REV	PD1
R	002	

PAGE NUMBER
12 OF 21

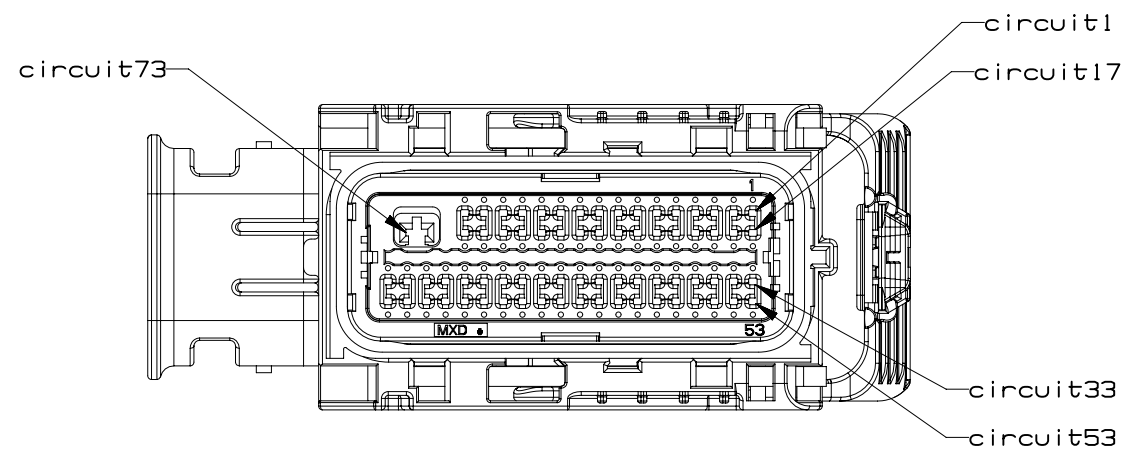


73 CKT HARNESS CONNECTOR ASSEMBLY
WIRE DRESS OPTION 0

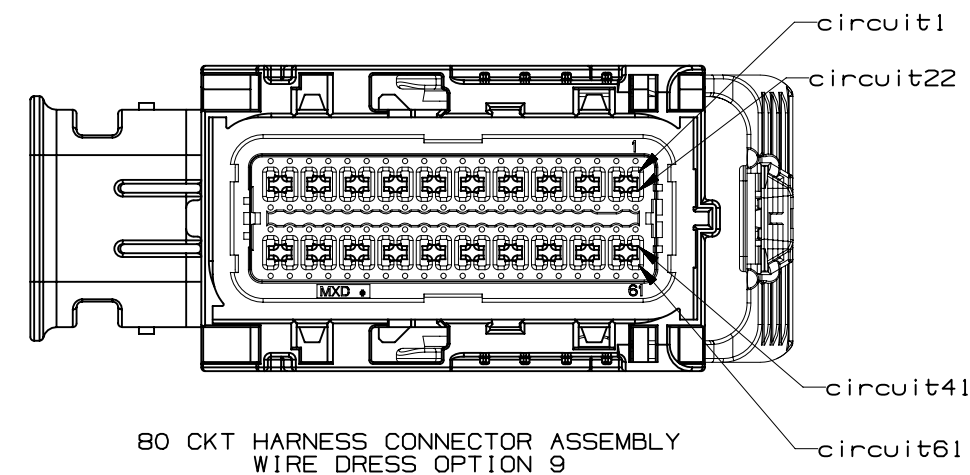


80 CKT HARNESS CONNECTOR ASSEMBLY
WIRE DRESS OPTION 0

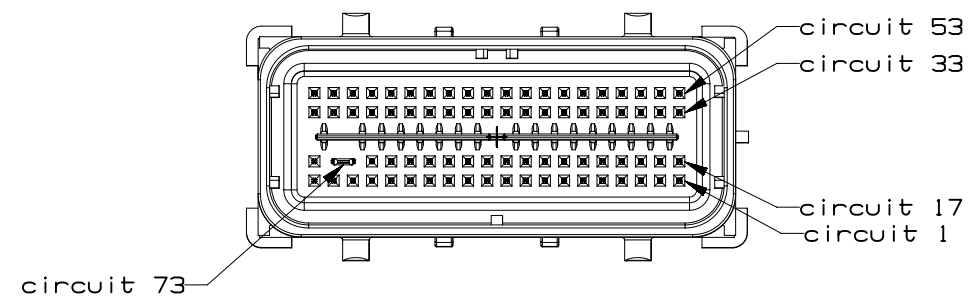
INTERFACE SIDE SHOWN ON ALL VIEWS



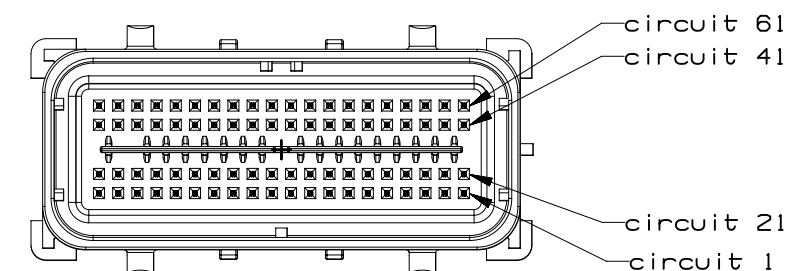
73 CKT HARNESS CONNECTOR ASSEMBLY
WIRE DRESS OPTION 9



80 CKT HARNESS CONNECTOR ASSEMBLY
WIRE DRESS OPTION 9

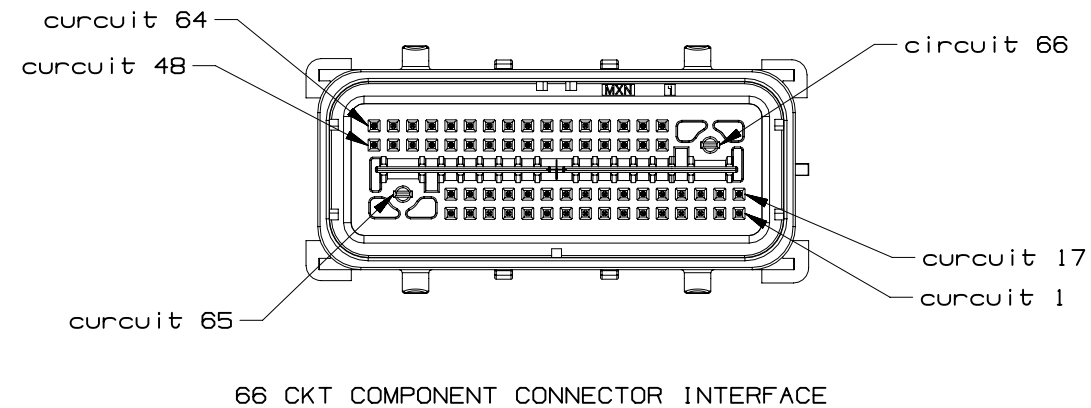
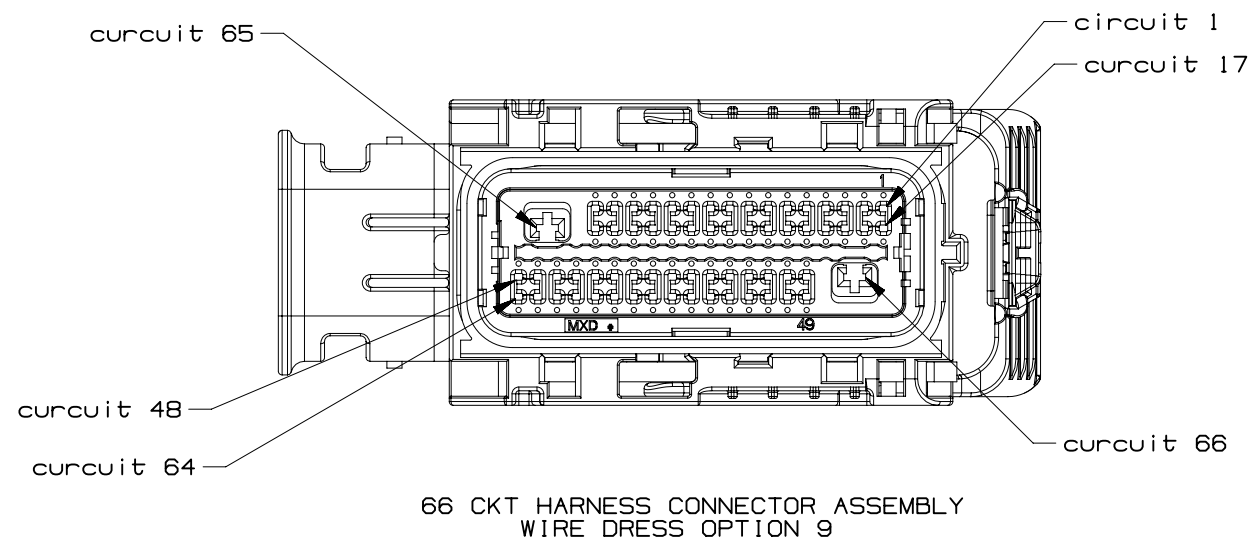
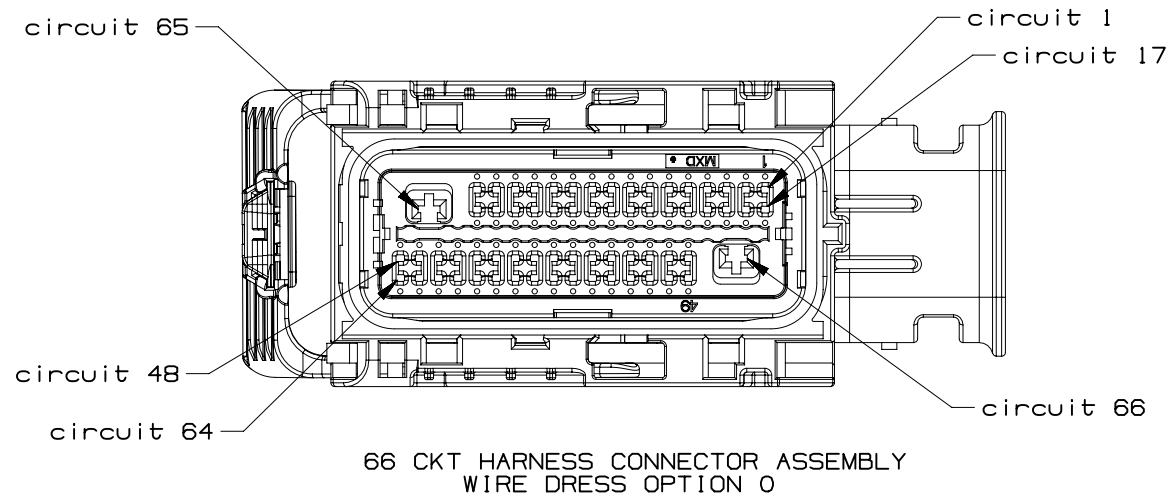


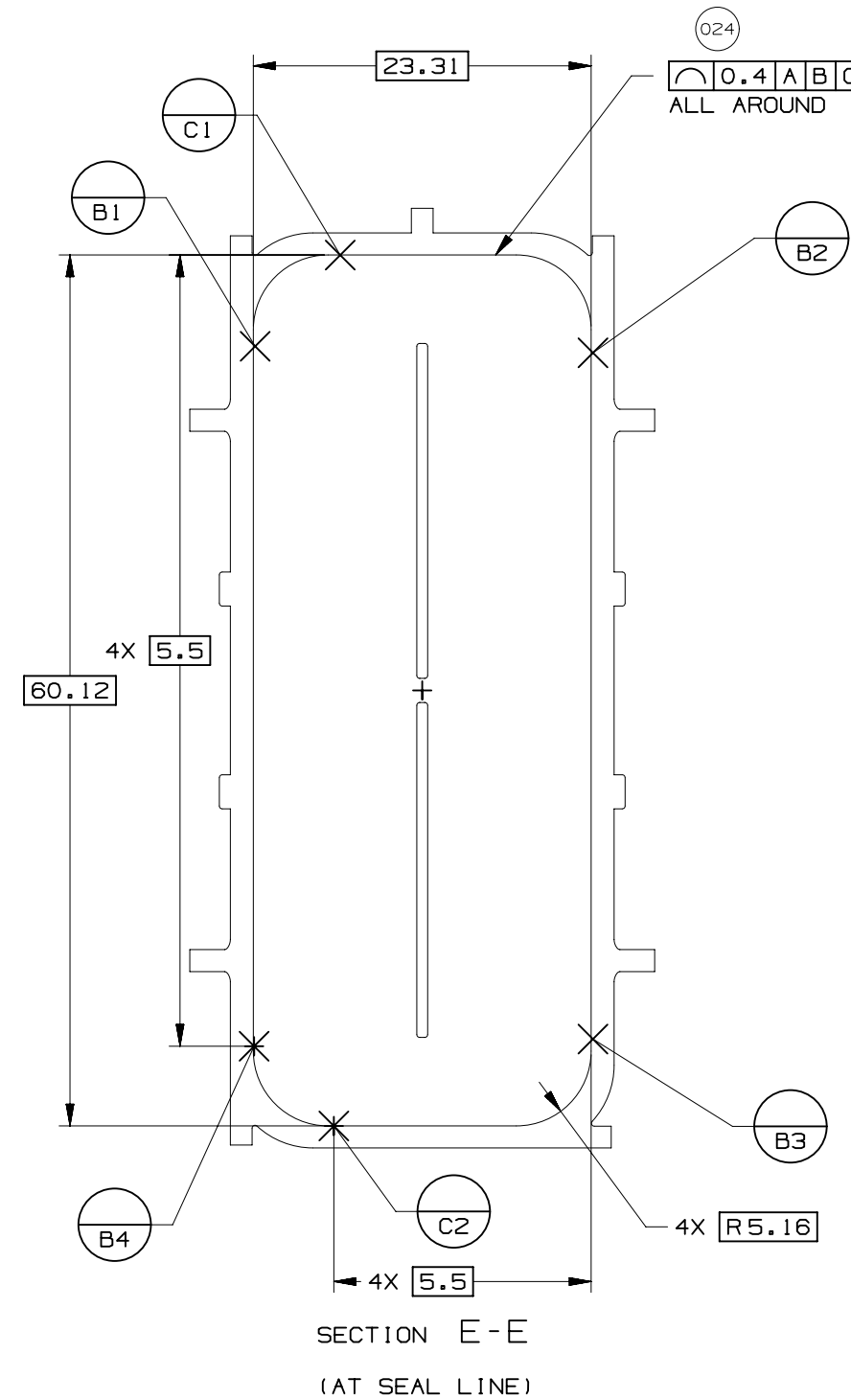
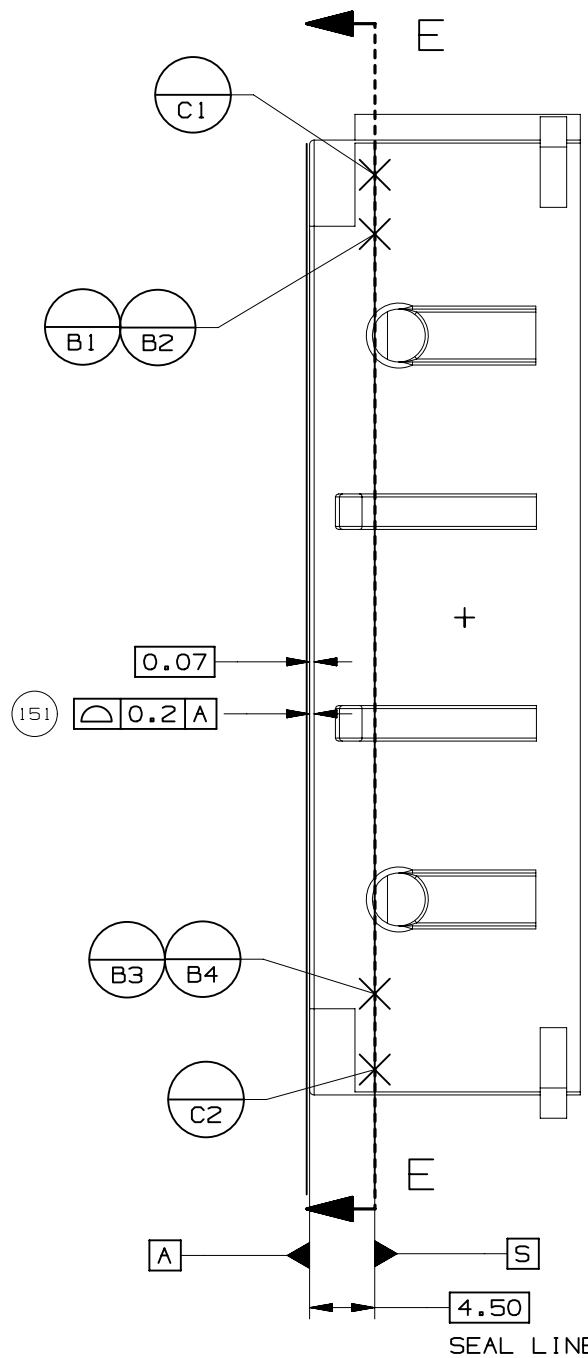
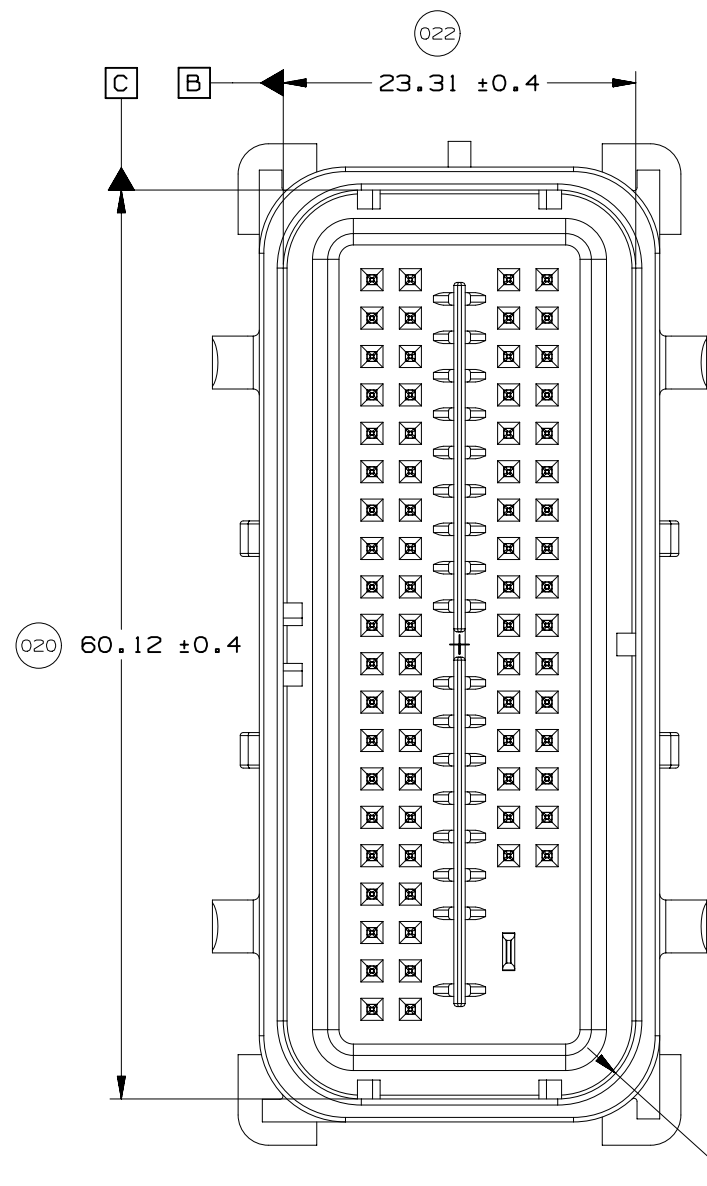
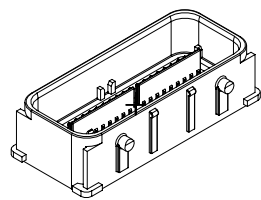
73 CKT COMPONENT CONNECTOR INTERFACE



80 CKT COMPONENT CONNECTOR INTERFACE







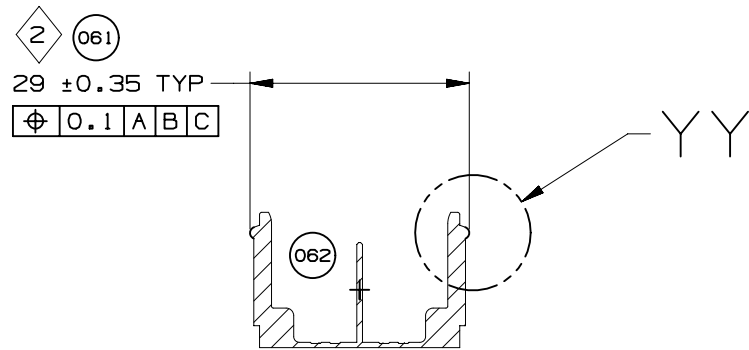
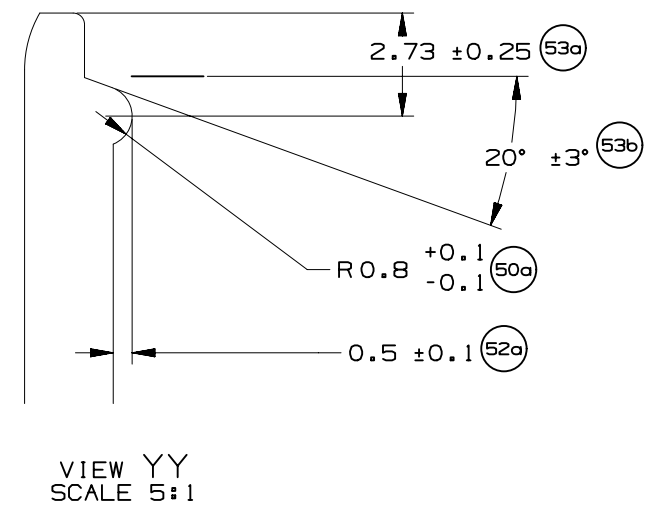
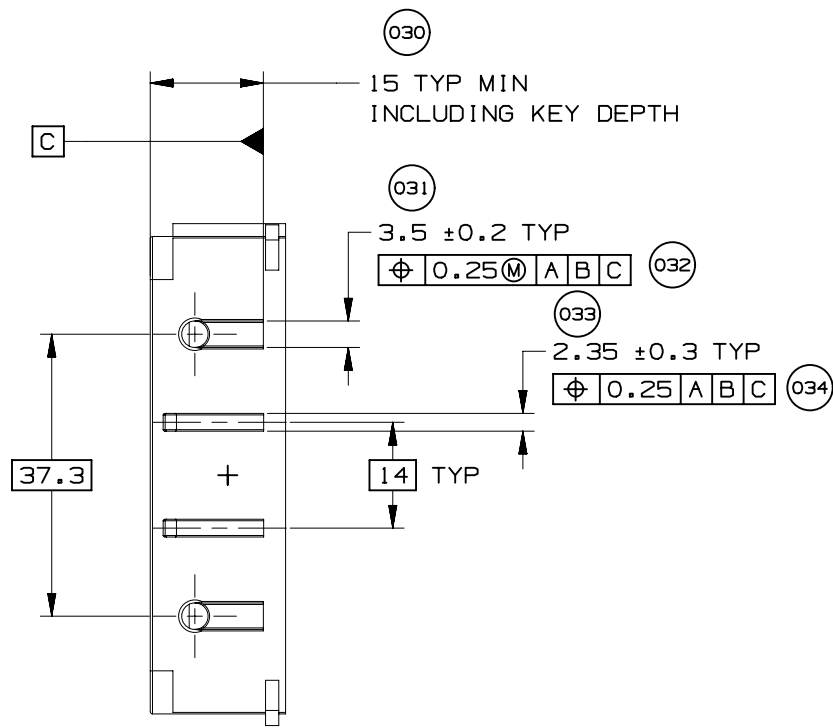
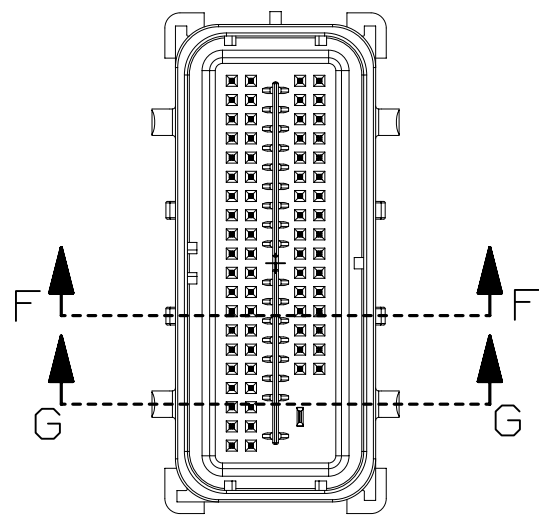
UNLESS SPECIFIED, TOLERANCE OF THE COMPONENT CONNECTOR INTERFACE TO BE $\sqrt[0.13]{A B C}$



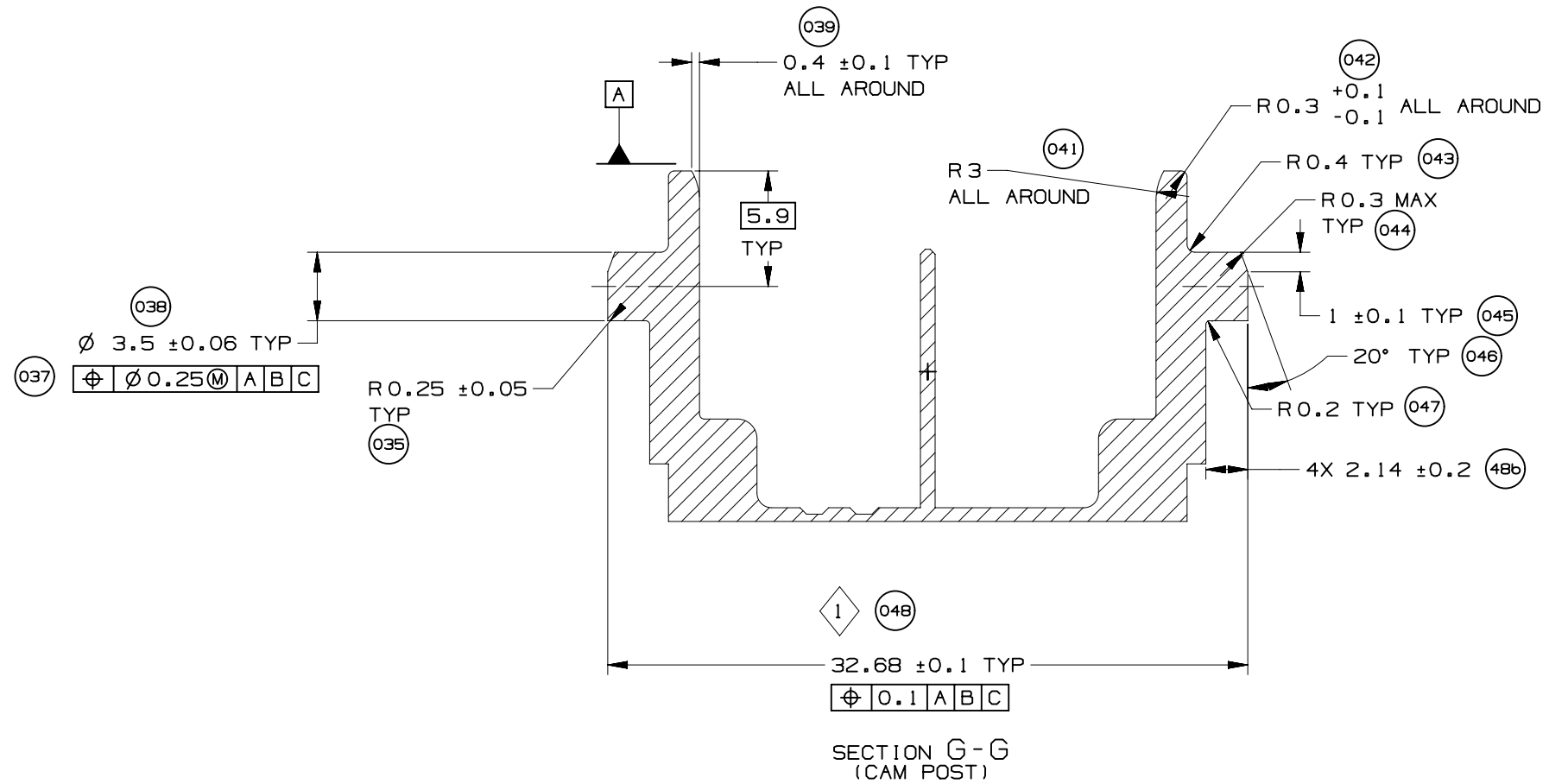
PAGE TITLE
COMPONENT CONNECTOR INTERFACE

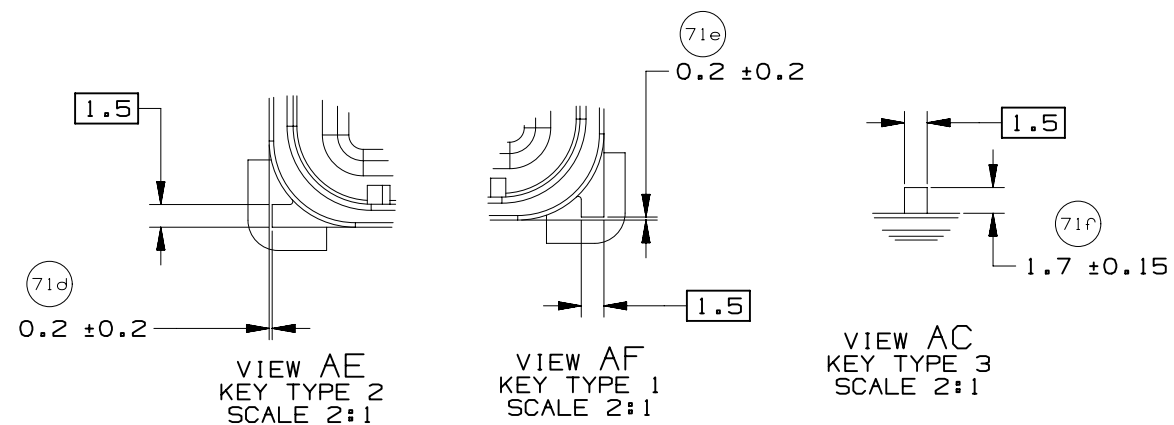
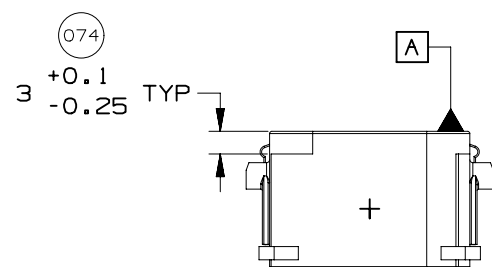
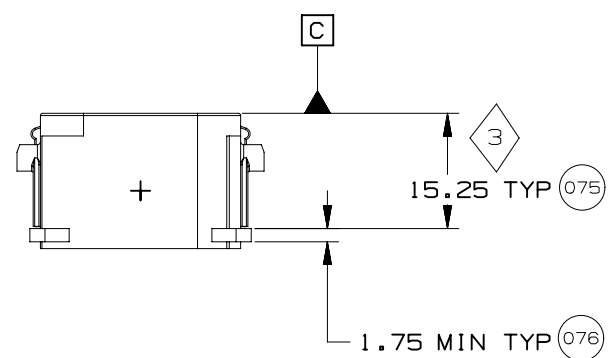
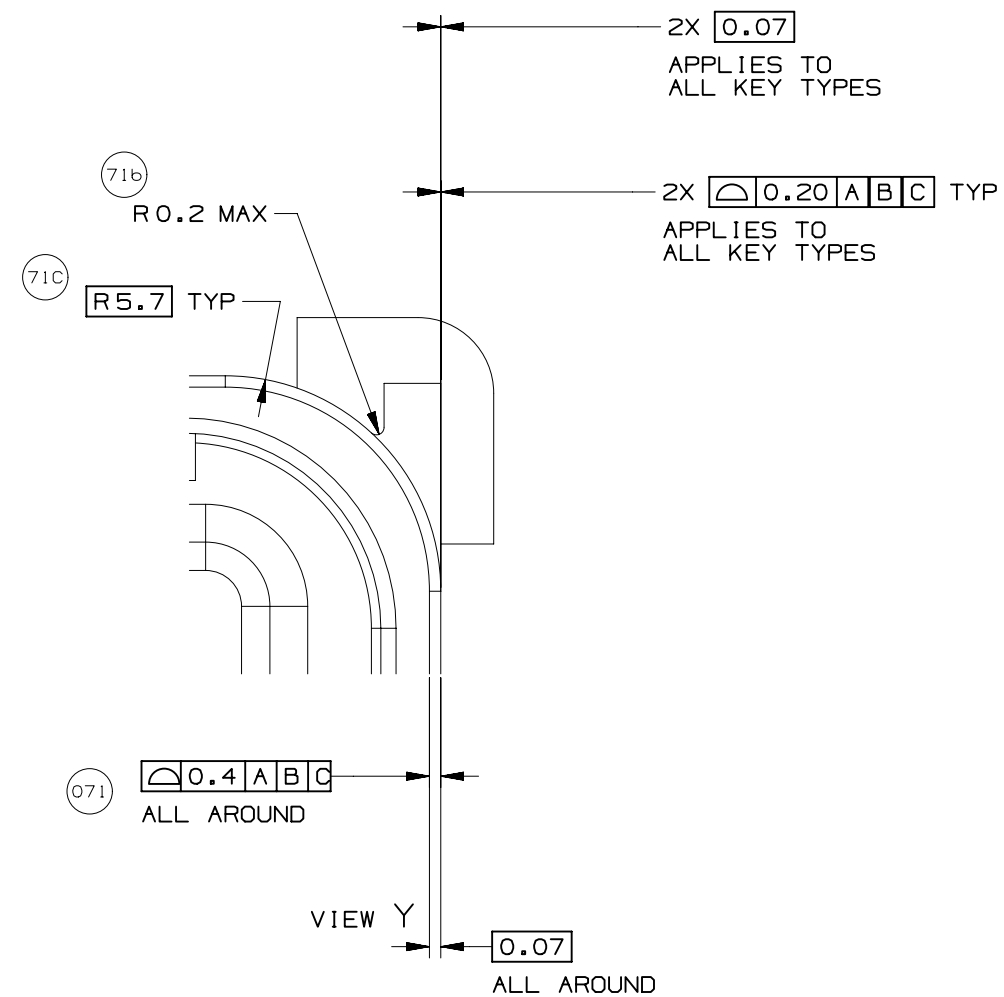
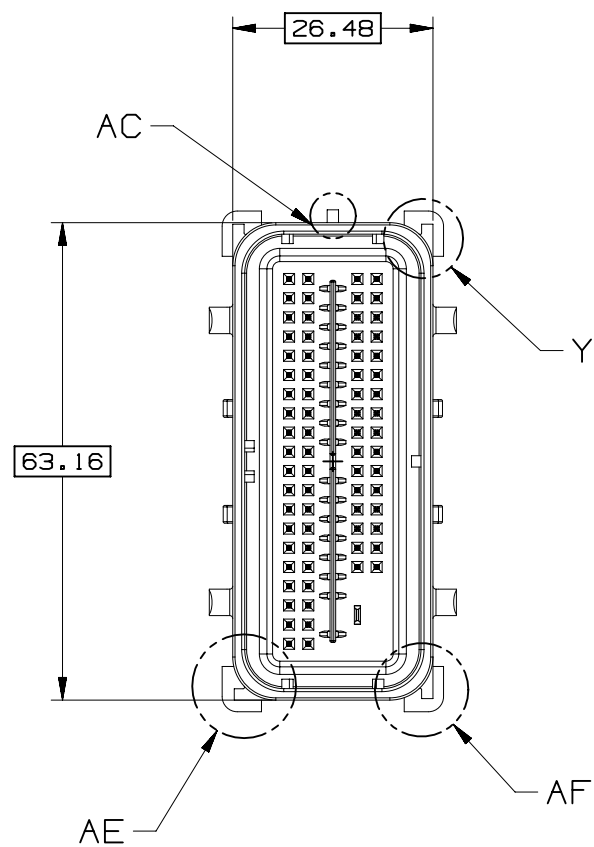
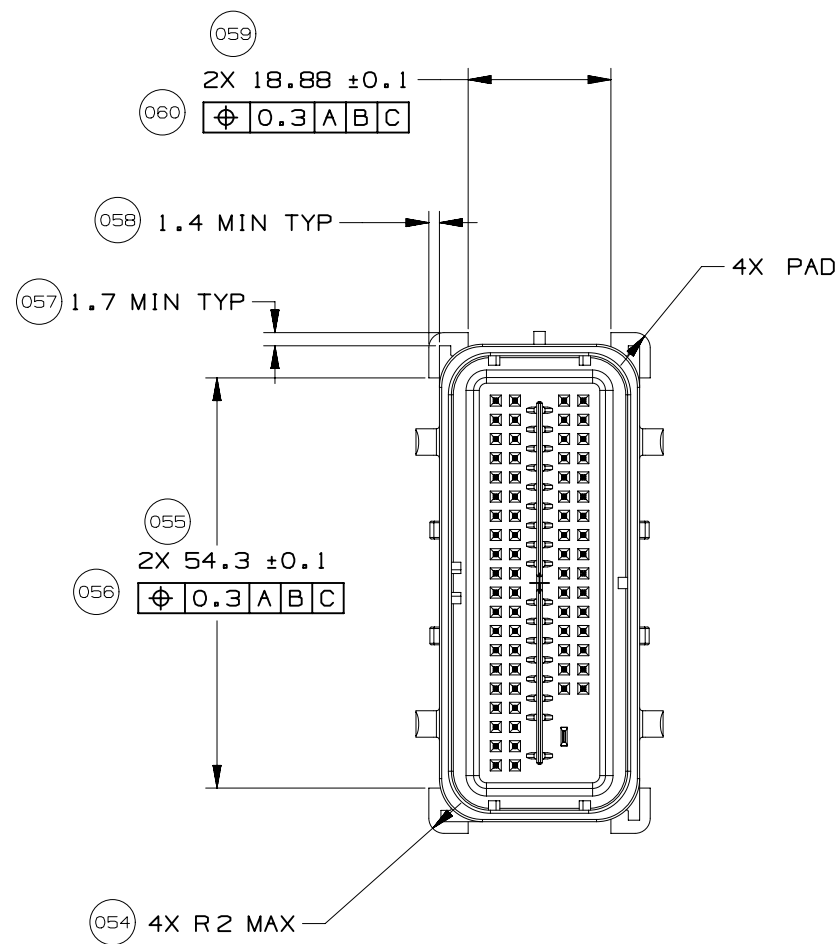
DRAWING NUMBER
12642695

DWG STATUS			PAGE NUMBER
ST	REV	PD1	
R	002		15 OF 21



SECTION F-F

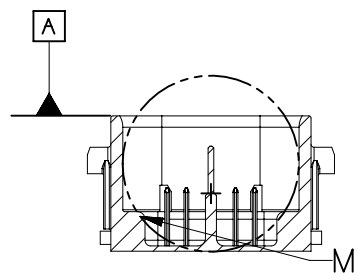
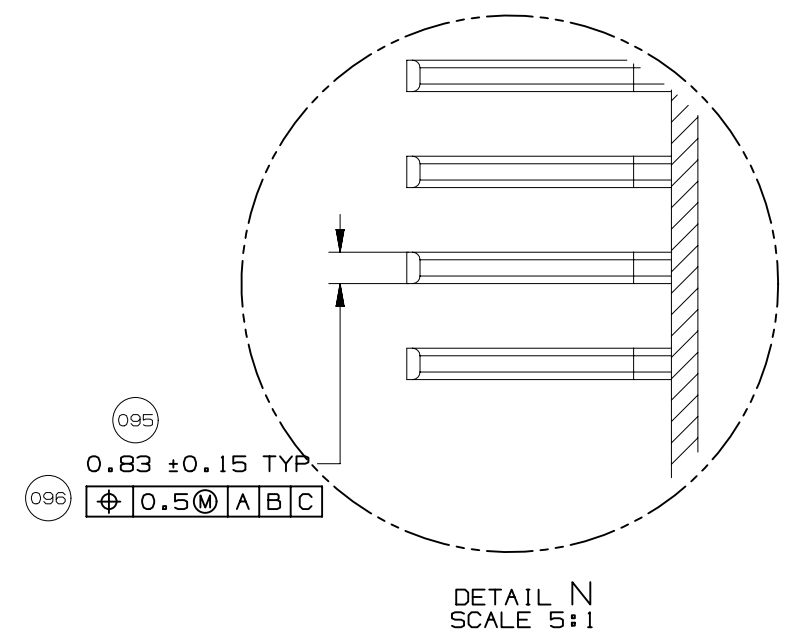
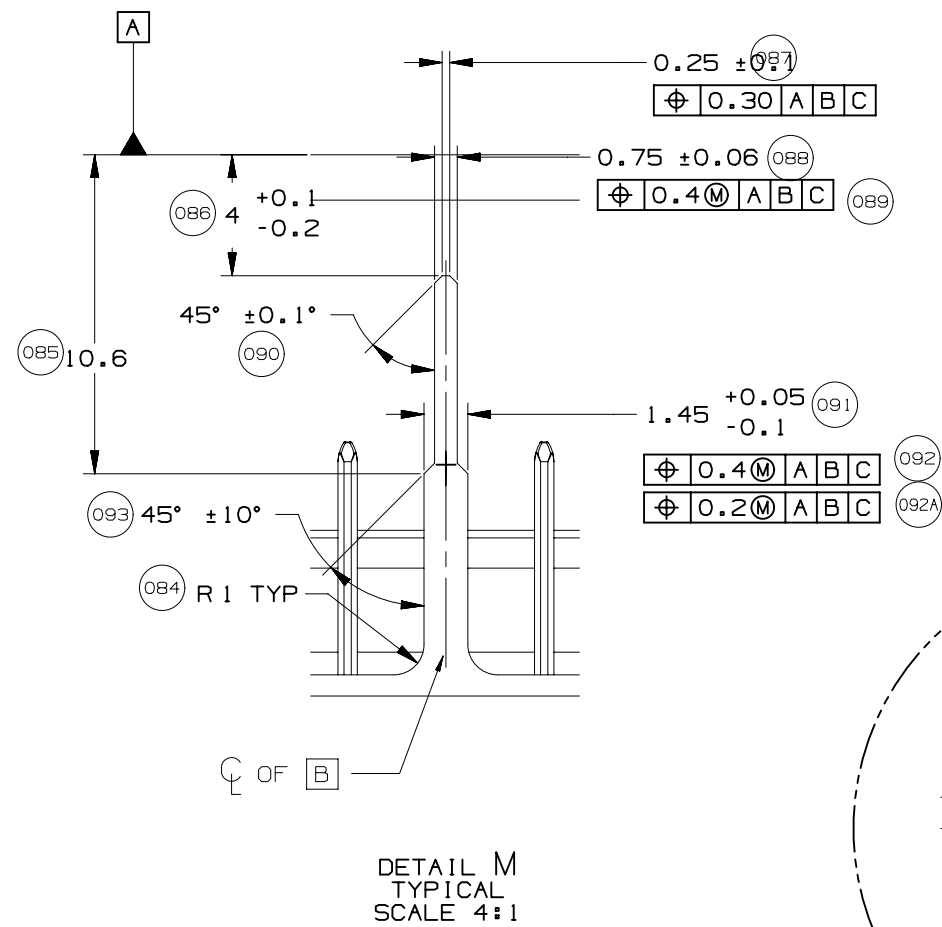
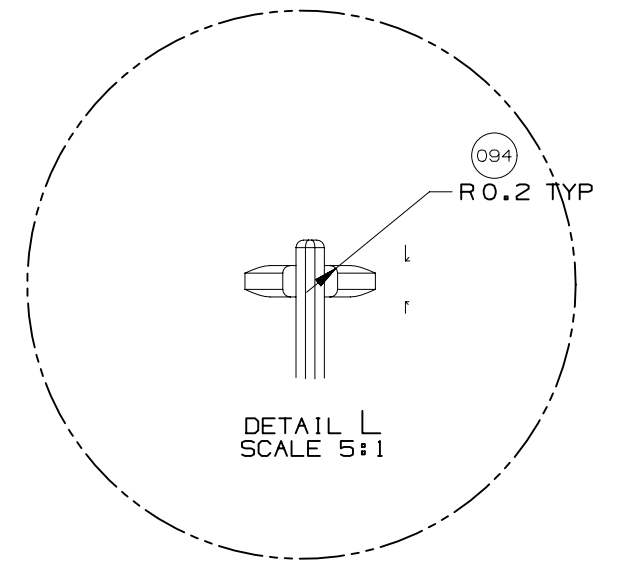
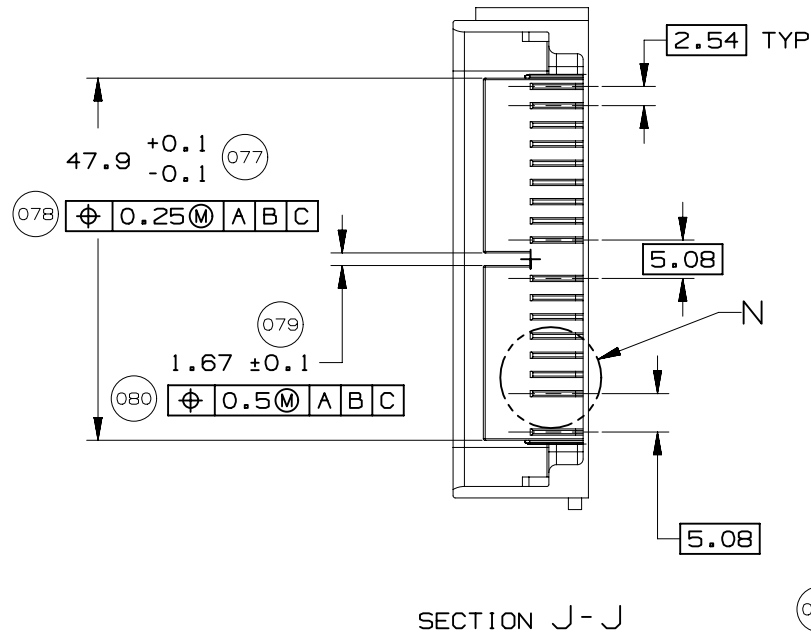
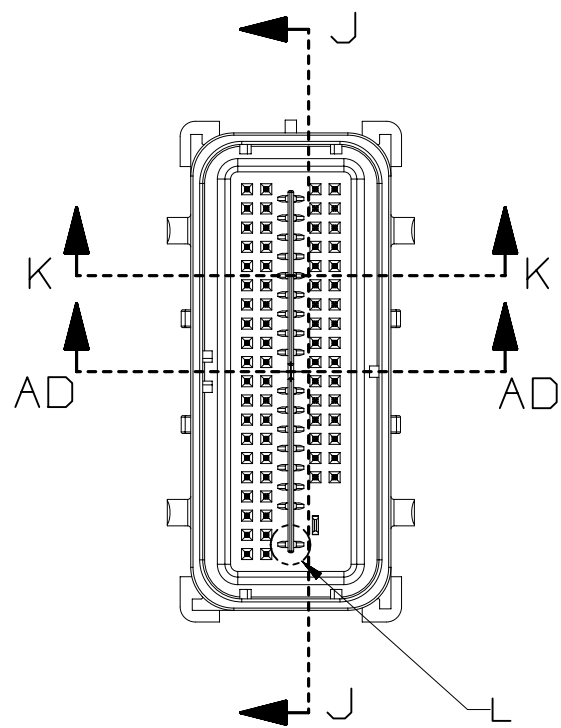




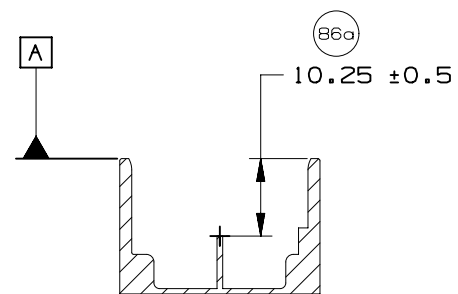
PAGE TITLE
 COMPONENT CONNECTOR INTERFACE

DRAWING NUMBER
 12642695

DWG STATUS			PAGE NUMBER	
ST	REV	PD1		
R	002		17	OF 21

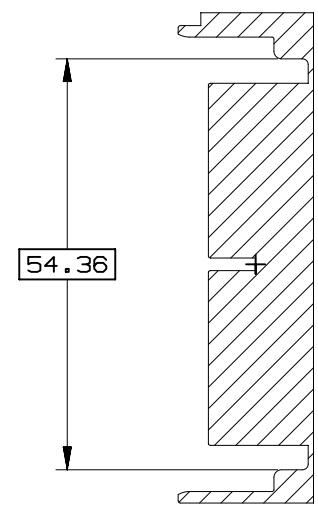
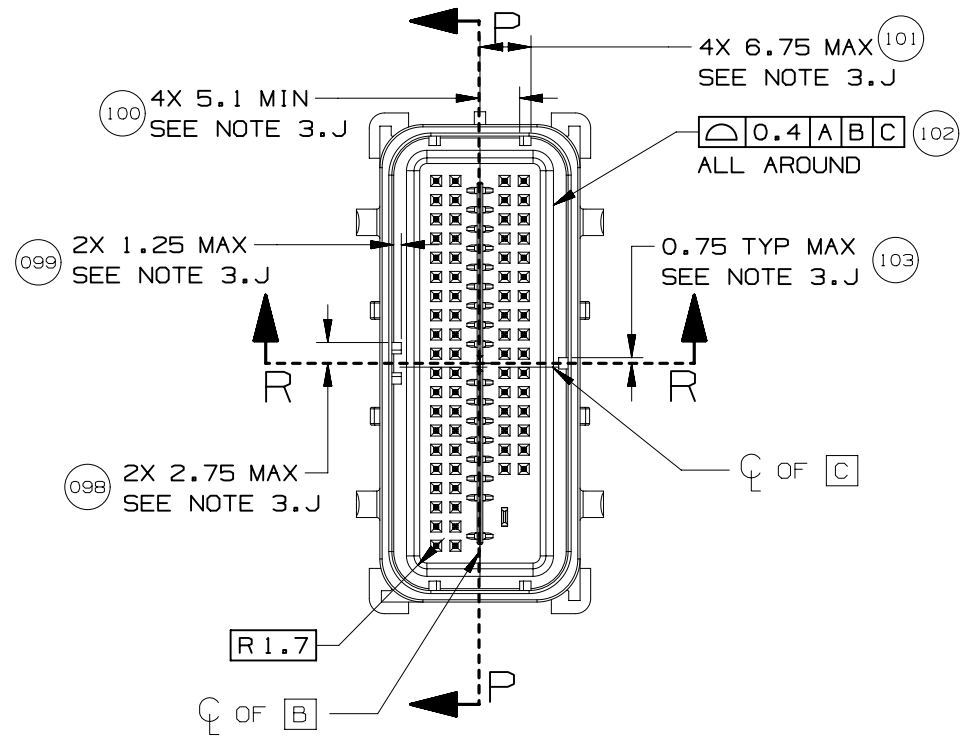


SECTION K-K

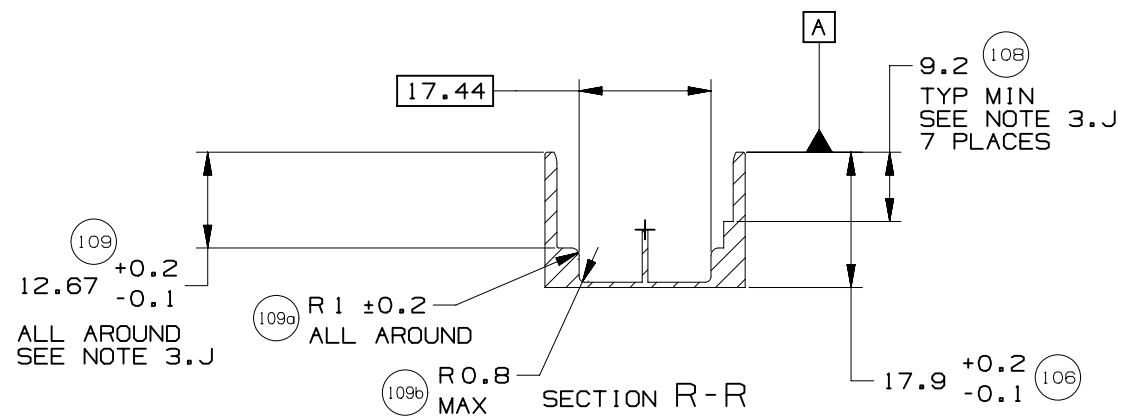


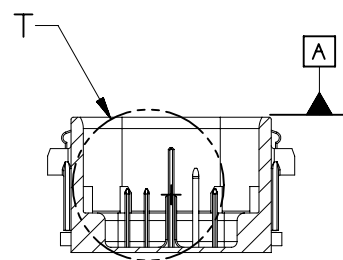
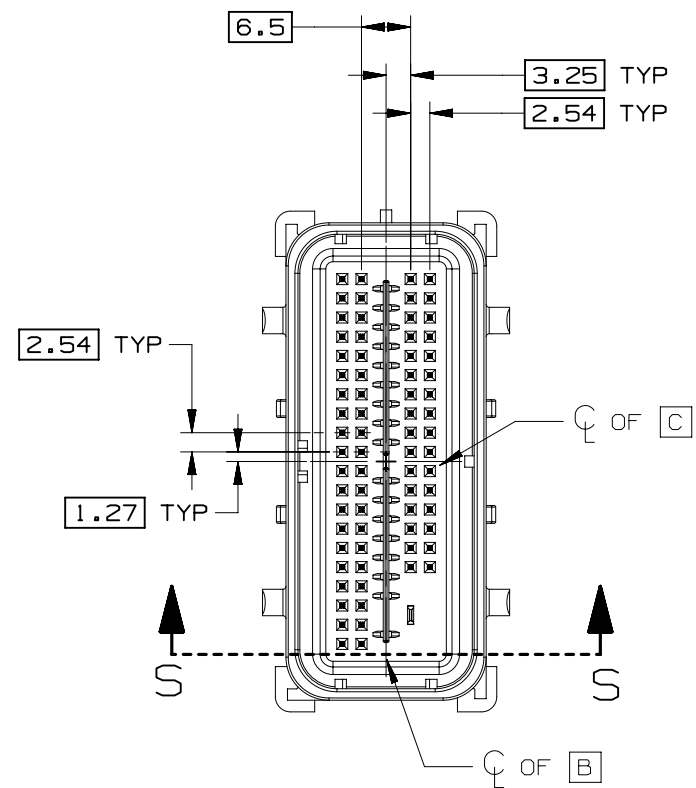
SECTION AD-AD



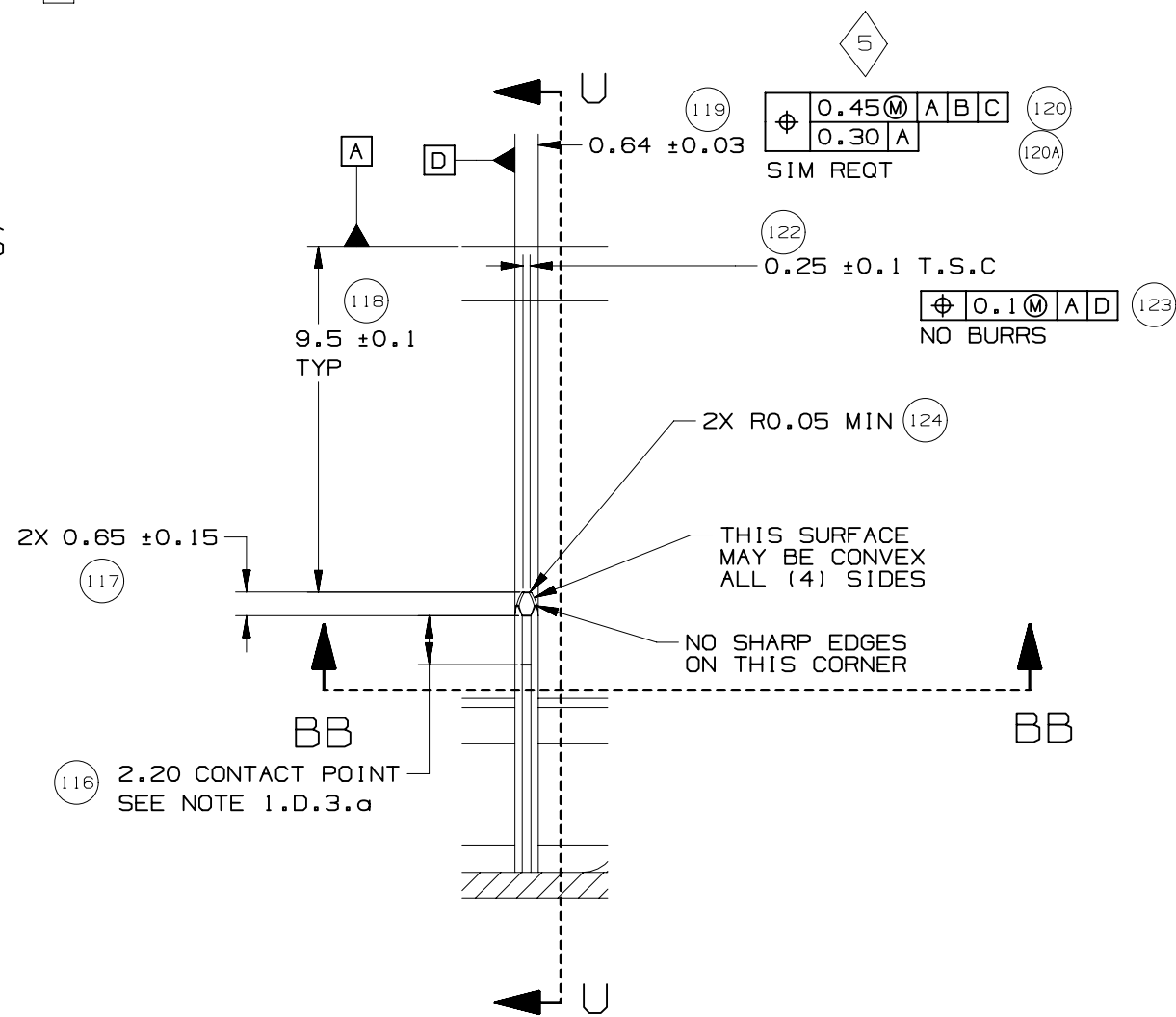


SECTION P-P

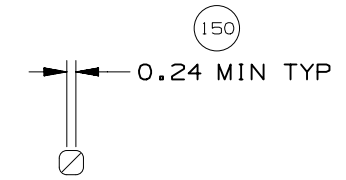




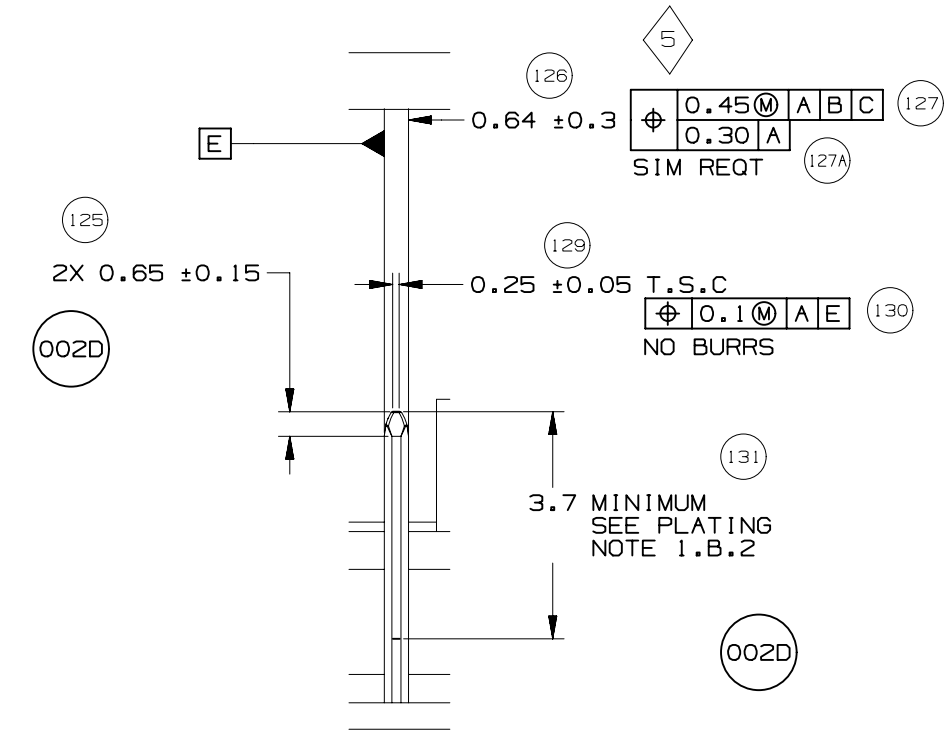
SECTION S-S



DETAIL T TYPICAL SCALE 5:1

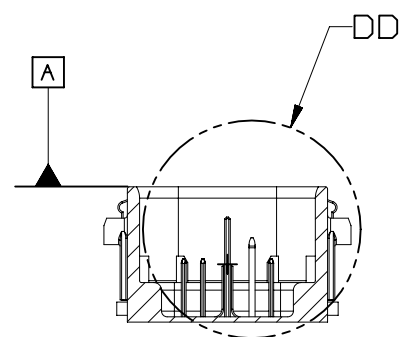
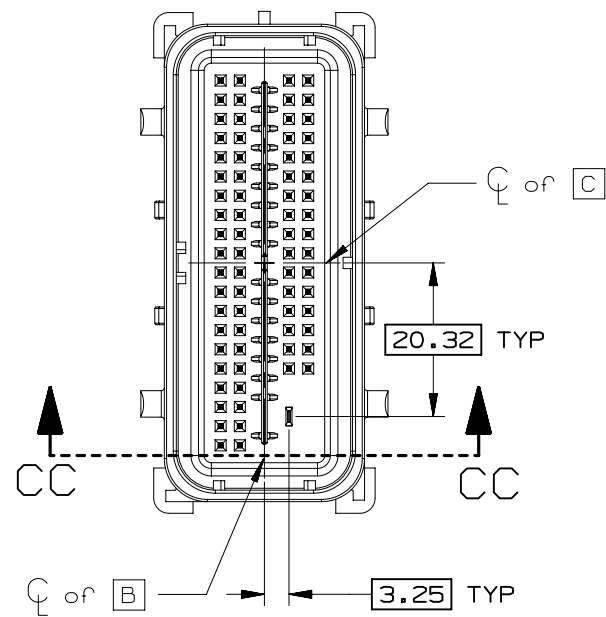


SECTION BB-BB

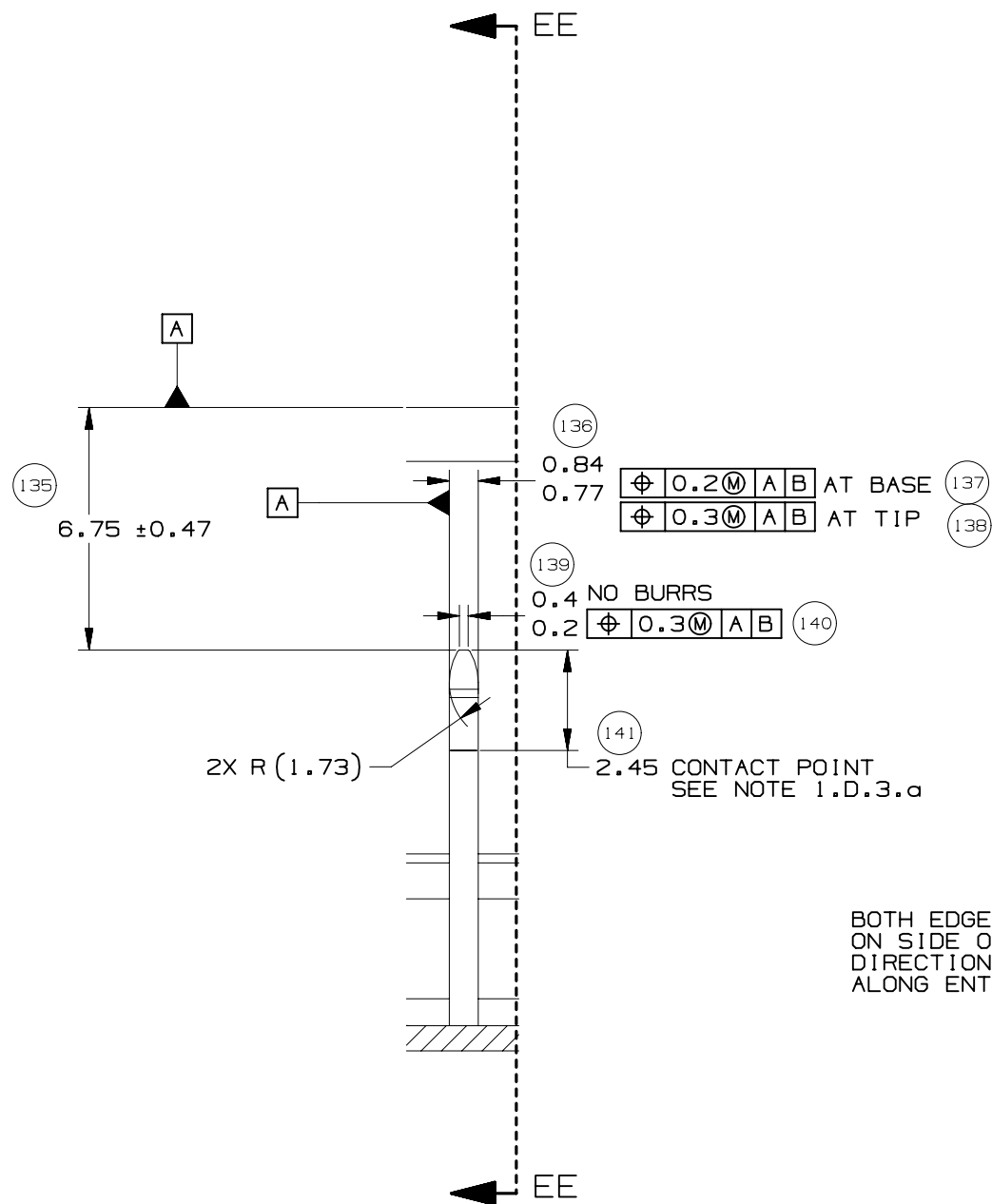


SECTION U-U

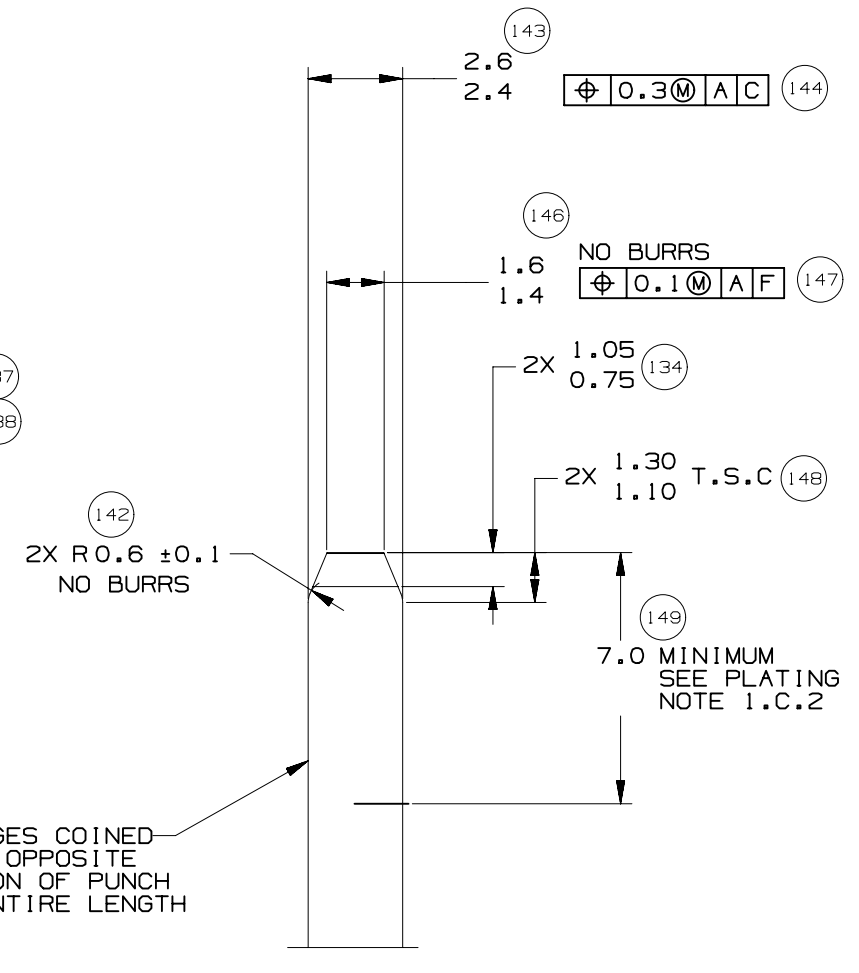




SECTION CC-CC



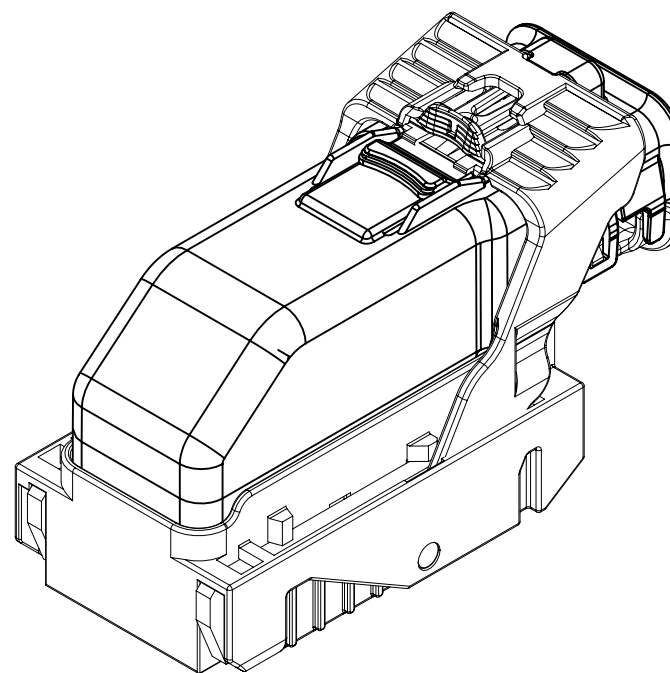
DETAIL DD
TYPICAL
SCALE 5:1




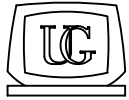
SECTION EE-EE
TYPICAL



INDEX	
PAGE TITLE	PAGE
TITLE BLOCK	1
REVISION BLOCK	2
PART BLOCK	3
KPC BLOCK	4
COMPONENT TABLE	5
NOTES	6
NOTES	7
WIRE DRESS PACKAGING DIMENSIONS	8
LOCATION AND PACKAGING DIMENSIONS REFERENCING INTERFACE DATUMS B & C	9
LOCATION AND PACKAGING DIMENSIONS REFERENCING INTERFACE DATUM A	10
KEY ID REF - WIRE DRESS OPTION 0	11
KEY ID REF - WIRE DRESS OPTION 9	12
CIRCUIT CONFIGURATIONS	13
CIRCUIT CONFIGURATIONS	14
COMPONENT CONNECTOR INTERFACE	15
COMPONENT CONNECTOR INTERFACE	16
COMPONENT CONNECTOR INTERFACE	17
COMPONENT CONNECTOR INTERFACE	18
COMPONENT CONNECTOR INTERFACE	19
COMPONENT CONNECTOR INTERFACE	20
COMPONENT CONNECTOR INTERFACE	21
ADDITIONAL COMPONENTS REQUIRED	22




ISO VIEW

	<p>UNLESS OTHERWISE SPECIFIED: THIS DOCUMENT IS IN ACCORDANCE WITH ASME Y14.5M-1994 AS AMMENDED BY THE GM GLOBAL DIMENSIONING AND TOLERANCING ADDENDUM-1997. ALL GEOMETRIC TOLERANCES AND RELATED DATUMS APPLY RFS. RULE #1 (PERFECT FORM AT MMC) DOES NOT APPLY WHEN A RELATIONSHIP BETWEEN FEATURES IS ESTABLISHED BY ORIENTATION OR LOCATION TOLERANCES. SEPARATE POSITION CALLOUTS MAY BE GAGED SEPARATELY REGARDLESS OF DATUM REFERENCES.</p>			DATE
	 CHANGE RESTRICTED NO MANUAL CHANGES	REFERENCE 12H (MOLEX AUTOMOTIVE)	DRAFTER APVD1	05JN15
DO NOT SCALE		APVD2		
METRIC DIMENSIONS SHOWN IN MILLIMETERS UNLESS OTHERWISE SPECIFIED	DRAWING NAME	APVD3		
	HARNESS CONN ASM-SEALED 52/66/73/80 CKTS, MX123	APVD4		
		APVD5		
	DRAWING NUMBER	DWG STATUS		
	12672833	ST	REV	
		R	001	
		PAGE NUMBER		
		1	OF 22	

PAGE	DWG STATUS					REVISION HISTORY	AUTH	DR	CK	ENG
	DATE	ST	REV	CHG	PDI					
	05JN15	R	001			RELEASED TO PRODUCTION AT DLS A	CRMRJE	DFK		

PAGE	DWG STATUS					REVISION HISTORY	AUTH	DR	CK	ENG
	DATE	ST	REV	CHG	PDI					

	PAGE TITLE	DRAWING NUMBER	DWG STATUS			PAGE NUMBER	
	REVISION BLOCK		12672833	ST	REV	PDI	2 OF 22
				R	001		

KEY PRODUCT CHARACTERISTICS
(IN ACCORDANCE WITH QN 1805 OR ON 1050)



SAFETY/COMPLIANCE

TOTAL ON
DRAWING

4



FIT/FUNCTION

LAST NO.
USED

4

NO	TYPE	DESCRIPTION	RATIONALE	PAGE/ZONE
1	F/F	32.68	IMPROVE CONNECTOR SYSTEM MATING	16
2	F/F	29.00	INSURE PROPER RELEASE OF LEVER	16
3	F/F	15.25	INSURE FINAL MATE POSITION	17
4	F/F	POSITIONAL TOLERANCE (2 PLACES)	INSURE CONNECTOR SYSTEM MATEABILITY	20



PAGE TITLE
KPC BLOCK

DRAWING NUMBER

12672833

DWG STATUS

ST	REV	PDI
----	-----	-----


R	001	
---	-----	--

PAGE NUMBER

4 OF 22

LINE	MFG.	MFG. P/N	GM P/N	EFFECTIVE DATE	APPLICABLE COMPONENTS	KEY OPTION	WIRE DRESS OPTION	KEY CONFIG.	COLOR	STATUS
					DESCRIPTION					
-										
1	MOLEX	34565-0003	12582676	02JN03	MX123 DRESS COVER 52/66/73/80 CKT	N/A	N/A	N/A	BLACK	AVAILABLE
2	MOLEX	160094-0001	12672852	01SP13	MX123 HRNS CONN ASSY 52 CKT	A	0	1458	BLACK	AVAILABLE
3	MOLEX	160094-0003	12672854	01SP13	MX123 HRNS CONN ASSY 52 CKT	C	0	2467	BLUE	AVAILABLE
4	MOLEX	160094-0013	12672853	01SP13	MX123 HRNS CONN ASSY 52 CKT	A	9	1458	BLACK	AVAILABLE
5	MOLEX	160094-0015	12672855	01SP13	MX123 HRNS CONN ASSY 52 CKT	C	9	2467	BLUE	AVAILABLE
6	MOLEX	34822-0013	12672856	01SP13	MX123 HRNS CONN ASSY 66 CKT	A	0	1458	BLACK	AVAILABLE
7	MOLEX	34822-0033	12672858	01SP13	MX123 HRNS CONN ASSY 66 CKT	C	0	2467	BLUE	AVAILABLE
8	MOLEX	34822-0023	12672857	01SP13	MX123 HRNS CONN ASSY 66 CKT	A	9	1458	BLACK	AVAILABLE
9	MOLEX	34822-0043	12672859	01SP13	MX123 HRNS CONN ASSY 66 CKT	C	9	2467	BLUE	AVAILABLE
10	MOLEX	34566-0103	12672860	11JN04	MX123 HRNS CONN ASSY 73 CKT	A	0	1458	BLACK	AVAILABLE
11	MOLEX	34566-0203	12672862	11JN04	MX123 HRNS CONN ASSY 73 CKT	B	0	1468	ST GRAY	AVAILABLE
12	MOLEX	34566-0303	12672864	09AP08	MX123 HRNS CONN ASSY 73 CKT	C	0	2467	BLUE	AVAILABLE
13	MOLEX	34566-0603	12672866	05DC14	MX123 HRNS CONN ASSY 73 CKT	F	0	1357	NATURAL	AVAILABLE
14	MOLEX	34566-1303	12672861	11JN04	MX123 HRNS CONN ASSY 73 CKT	A	9	1458	BLACK	AVAILABLE
15	MOLEX	34566-1403	12672863	11JN04	MX123 HRNS CONN ASSY 73 CKT	B	9	1468	ST GRAY	AVAILABLE
16	MOLEX	34566-1503	12672865	09AP08	MX123 HRNS CONN ASSY 73 CKT	C	9	2467	BLUE	AVAILABLE
17	MOLEX	34566-1803	12672867	05DC14	MX123 HRNS CONN ASSY 73 CKT	F	9	1357	NATURAL	AVAILABLE
18	MOLEX	34566-0703	12672872	09AP08	MX123 HRNS CONN ASSY 80 CKT	G	0	1358	BLUE	AVAILABLE
19	MOLEX	34566-0803	12672870	11JN04	MX123 HRNS CONN ASSY 80 CKT	H	0	2458	ST GRAY	AVAILABLE
20	MOLEX	34566-0903	12672868	T.B.D	MX123 HRNS CONN ASSY 80 CKT	J	0	2457	BLACK	NOT ACTIVE
21	MOLEX	34566-1903	12672873	09AP08	MX123 HRNS CONN ASSY 80 CKT	G	9	1358	BLUE	AVAILABLE
22	MOLEX	34566-2003	12672871	11JN04	MX123 HRNS CONN ASSY 80 CKT	H	9	2458	ST GRAY	AVAILABLE
23	MOLEX	34566-2103	12672869	T.B.D	MX123 HRNS CONN ASSY 80 CKT	J	9	2457	BLACK	NOT ACTIVE
24	MOLEX	34736-0028	12672851	01AU10	MX64 RCPT TERM Ag 0.5mm/0.75mm ISO GAGE B (RIGHT PAYOFF)	N/A	N/A	N/A	N/A	AVAILABLE
25	MOLEX	34736-0026	12672850	01AU10	MX64 RCPT TERM Ag 0.35mm ISO GAGE B (RIGHT PAYOFF)	N/A	N/A	N/A	N/A	AVAILABLE
26	MOLEX	34586-0001	12674820	11JN04	MX123 0.64mm GROMMET PLUG	N/A	N/A	N/A	NATURAL	AVAILABLE
27	YAZAKI	7116-4150-02	12588066	02JN03	2.8mm YESC SEALED FEMALE TERMINAL TIN 0.35mm2-0.50mm2	N/A	N/A	N/A	N/A	NOT ACTIVE
28	YAZAKI	7116-4151-02	12588067	02JN03	2.8mm YESC SEALED FEMALE TERMINAL TIN 0.75mm2-1.0mm2	N/A	N/A	N/A	N/A	NOT ACTIVE
29	YAZAKI	7116-4152-02	12582685	02JN03	2.8mm YESC SEALED FEMALE TERMINAL TIN 1.5mm2-2.5mm2	N/A	N/A	N/A	N/A	AVAILABLE
30	YAZAKI	7158-3111-60	12588068	02JN03	2.8mm CABLE SEAL (wire O.D. range 1.2mm-1.9mm)	N/A	N/A	N/A	GREEN	NOT ACTIVE
31	YAZAKI	7158-3112-70	12588069	02JN03	2.8mm CABLE SEAL (wire O.D. range 1.8mm-2.3mm)	N/A	N/A	N/A	YELLOW	NOT ACTIVE
32	YAZAKI	7158-3113-40	12582686	02JN03	2.8mm CABLE SEAL (wire O.D. range 2.1mm-3.0mm)	N/A	N/A	N/A	WHITE	AVAILABLE
33	YAZAKI	7158-3114-90	12674821	02JN03	2.8mm YESC CAVITY PLUG	N/A	N/A	N/A	BLUE	AVAILABLE
34	MOLEX	63825-8400	N/A	02JN03	MX64 TERM HAND CRIMP TOOL	N/A	N/A	N/A	N/A	AVAILABLE
35	MOLEX	63813-1400	XX019826	02JN03	MX64 TERM SERVICE TOOL	N/A	N/A	N/A	N/A	AVAILABLE
36	MOLEX	63902-5300	N/A	02JN03	MX64 CRIMP APPLICATOR with TOOL KIT 0.5/0.75mm2 PAYOFF DIRECTION D (left payoff) (contact Molex for payoff detail)	N/A	N/A	N/A	N/A	AVAILABLE
37	MOLEX	63902-5370	N/A	02JN03	MX64 APPLICATOR TOOL KIT 0.5/0.75mm2	N/A	N/A	N/A	N/A	AVAILABLE
38	MOLEX	63902-5100	N/A	02JN03	MX64 CRIMP APPLICATOR with TOOL KIT 0.35mm2 PAYOFF DIRECTION D (left payoff) (contact Molex for payoff detail)	N/A	N/A	N/A	N/A	AVAILABLE
39	MOLEX	63902-5170	N/A	02JN03	MX64 APPLICATOR TOOL KIT 0.35mm2	N/A	N/A	N/A	N/A	AVAILABLE
40	SPX	J35616-64	T.B.D.	02JN03	0.64mm PROBE TOOL (for rcpt)	N/A	N/A	N/A	N/A	AVAILABLE
41	SPX	J35616-64A	T.B.D.	02JN03	0.64mm PROBE TOOL WITH EXT (for rcpt)	N/A	N/A	N/A	N/A	AVAILABLE
42	SPX	J35616-65	T.B.D.	02JN03	0.64mm PROBE TOOL WITH EXT (for pin)	N/A	N/A	N/A	N/A	AVAILABLE
43	SPX	J35616-4A	T.B.D.	02JN03	2.8mm PROBE TOOL (for rcpt)	N/A	N/A	N/A	N/A	AVAILABLE
44	YAZAKI	X39899-J374	12094430	02JN03	2.8mm TERM SERVICE TOOL	N/A	N/A	N/A	N/A	AVAILABLE
45	TQI	7000-1006	N/A	15JN15	52 CKT PASS THROUGH ADAPTERS	N/A	N/A	N/A	BLACK	AVAILABLE
46	TQI	7000-1002	N/A	15JN15	66 CKT PASS THROUGH ADAPTERS	N/A	N/A	N/A	BLACK	AVAILABLE
47	TQI	79917-0061	N/A	15JN15	73 CKT PASS THROUGH ADAPTERS	N/A	N/A	N/A	BLACK	AVAILABLE
48	TQI	79917-0066	N/A	15JN15	80 CKT PASS THROUGH ADAPTERS	N/A	N/A	N/A	BLACK	AVAILABLE

* - MX123 DRESS COVER 52/66/73/80 CKT MATES TO ANY MX123 HARN CONN ASSY SHOWN ON TABLE ABOVE

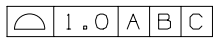
	PAGE TITLE	DRAWING NUMBER	DWG STATUS			PAGE NUMBER
	COMPONENT TABLE	12672833	ST	REV	PDI	
			R	001		

NOTES: UNLESS OTHERWISE SPECIFIED

1. MATERIAL FOR INTERFACE:


- A. RESIN:
 - 1. 30% G.F. PBT; 20% MAX. (BY WEIGHT) REGRIND.
 - 2. MATING CONNECTOR INTERFACE PART COLOR MUST BE SAME AS MATCHING KEYED HARNESS CONNECTOR ASSEMBLY.
 - 3. MUST BE VALIDATED FOR INDIVIDUAL DEVICE APPLICATION REQUIREMENTS.
- B. 0.64MM PINS:
 - 1. BASE MATERIAL: COPPER ALLOY; CONDUCTIVITY >= 28% IACS AT 20°C; TENSILE STRENGTH >= 635 N/mm²; SURFACE ROUGHNESS R_a 6 MAX.
 - 2. PLATING FINISH: SILVER (Ag). PLATING TO BE 1.9-3.3 μm ELECTRODEPOSITED SEMI-BRIGHT SILVER OVER 1.25-2.25 μm DUCTILE SULPHAMATE NICKEL PER NOTE 1(D).
 - 3. ANTI-TARNISH: SYNTHETIC HYDROCARBON CONTACT SURFACE FINISH OR EQUIVALENT APPLIED WITHOUT VOID TO CONTACT AREA (MIN 3.7mm FROM PIN TIP).
- C. 2.8MM BLADE:
 - 1. BASE MATERIAL: COPPER ALLOY; CONDUCTIVITY >= 28% IACS AT 20°C; TENSILE STRENGTH >= 350 N/mm²; SURFACE ROUGHNESS R_a 6 MAX.
 - 2. PLATING FINISH: TIN. PLATING TO BE 2.5-5.0 μm ELECTRODEPOSITED TIN, MATTE FINISH OVER 1.25-2.5 μm DUCTILE SULPHAMATE NICKEL PER NOTE 1(D).
- D. PLATING REQUIREMENTS:
 - 1. SILVER PLATING
 - a. 99.5% PURE SEMI-BRIGHT WITH NO ORGANIC BRIGHTNERS OR CHROMATES.
 - 2. NICKEL PLATING
 - a. ELECTRODEPOSITED DUCTILE SULFAMATE NICKEL WITH A NON-BRIGHTENED FINISH. NO ORGANIC OR BRIGHTENING AGENTS SHALL BE ALLOWED.
 - b. SHALL ONLY BE USED AS AN UNDERLYING PLATING AND MAY NOT BE USED AS AN ELECTRICAL CONTACT SURFACE PLATING.
 - c. SHALL BE NODULE FREE WHEN VIEWED AT 10X MAGNIFICATION IN MEASURED IN CONTACT SURFACE AREA PLUS 0.5MM PERIMETER AROUND THE CONTACT SURFACE AREA.
 - d. ALL PLATINGS SHALL HAVE A 1.0% MAXIMUM BY WEIGHT IMPURITIES. IMPURITIES ARE DEFINED AS ALL ELEMENTS NOT THE PRIMARY PLATING OR HARDENING AGENT IF APPLICABLE, AS DETERMINED BY WET CHEMICAL ANALYSIS OR AUGER METHOD. NO SINGLE IMPURITY SHALL EXCEED 0.1% MAXIMUM BY WEIGHT.
 - 3. TESTING
 - a. THICKNESS TO BE MEASURED IN CONTACT SURFACE AREA PLUS 0.5MM PERIMETER AROUND THE CONTACT SURFACE AREA AS DESIGNATED IN THE DRAWING. THICKNESS SHALL BE DETERMINED BY METHOD OF X-RAY (XRF).
 - b. PLATING ADHESION SHALL BE TESTED BY A BEND TEST FOR ALL METALS. THE TEST SAMPLE SHALL BE BENT 90 DEGREES TO DETERMINE DEPOSIT ADHESION. TESTING SHALL BE COMPLETED IN ACCORDANCE WITH ASTM SPEC B571.

2. DESIGN - GENERAL:

- A. THIS IS A 100% CAD GENERATED PART. THE CAD MATHEMATICAL DATA IS THE MASTER FOR THIS PART. FOR DIMENSIONAL OR ANY INFORMATION NOT SHOWN ON THIS DRAWING, ANALYZE THE CAD MODEL.
- B. TOLERANCES:
 - 1. LINEAR
 - 0.X ± 0.30
 - 0.XX ± 0.10
 - 0.XXX ± 0.10
 - 2. ANGULAR X° ± 3°
 - 3. 
- C. MINIMUM WALL THICKNESS REQUIRED: 1.3mm.
- D. CORNERS SHOWN AS SHARP TO BE R 0.2 MAX.
- E. LETTERING SHALL BE 0.15 MAX RAISED IN 0.20 MAX RECESS PAD. THIS INCLUDES MATERIAL CODE, RECYCLING CODE, CAVITY ID AND DATE CODE.
- F-1. PARTS MUST BE FREE OF DISCOLORATION, SALT RESIDUE AND OTHER IMPERFECTIONS THAT AFFECT FIT OR FUNCTION.
- F-2. SCRATCHES OR DENTS NOT TO EXCEED 0.013mm IN DEPTH.
- G. FOLLOWING PRODUCTION CODES TO BE PERMANENTLY MARKED & HUMAN READABLE TO A LETTER HEIGHT OF 1.5 ± 0.5MM X 0.3 MAX DEEP
 - 1. MATERIAL #: XXXXX-XXXX
 - 2. DATE CODE: JJYY (JULIAN DAY, LAST DIGIT OF YEAR)
 - 3. INSPECTION MACHINE CODE + SERIAL #: X_XXXXX

3. DESIGN - MANUFACTURING:

- A. DRAFT TO BE WITHIN TOLERANCE.
- B. ALLOWABLE FLASH MAX 0.2 HIGH X MAX 0.13 THICK.
- C. ALLOWABLE PARTING LINE MISMATCH 0.2 MAX.
- D. EJECTOR PINS MARK TO BE FLUSH TO 0.25 MAX DEPRESSED.
- E. ALLOWABLE GATE VESTIGE FLUSH TO 0.25 MAX PROTRUSION.
- F. NO EXTERNAL MOLD RELEASE AGENT ALLOWED DURING MANUFACTURING.
- G. STEEL THAT FORMS THE INDICATED SURFACE MUST BE POLISHED WITH A DIAMOND FINISH (SPI A-2) OVER THE FULL PERIPHERY OF THE TOOL. SURFACE MUST HAVE NO MISMATCH.
- H. ANY PROCESS LUBRICANT REMAINING ON THE TERMINAL MUST NOT VARNISH OR DEGRADE IT'S ELECTRICAL PERFORMANCE UP TO A MAXIMUM CLASS AMBIENT TEMPERATURE PER SAE USCAR-2 FOR 1008 HOURS. PROCESS LUBRICANTS SHOULD BE APPROVED BY THE RESPONSIBLE ENGINEER.
- J. OPTIONAL FEATURES PROVIDED FOR AUTOMATION.
- K. PART MUST BE FREE FROM BURRS AND SHARP EDGES, WHICH MIGHT BE DETRIMENTAL TO SATISFACTORY ASSEMBLY, SAFE HANDLING OR FUNCTION OF PART.
- L. PARTS AS DELIVERED TO ASSEMBLY SHALL BE CLEAN AND FREE OF DEBRIS, RESIDUAL ABRASIVE MATERIAL AND CORROSION PRODUCTS ADVERESLY AFFECTING FUNCTION OR APPEARANCE.
- M. RESTRICTED AND REPORTABLE SUBSTANCES FOR PARTS PER GMW3059.

	PAGE TITLE	DRAWING NUMBER	DWG STATUS			PAGE NUMBER	
	NOTES		12672833	ST	REV	PDI	6 OF 22
				R	001		

NOTES: UNLESS OTHERWISE SPECIFIED

4. SYSTEM REQUIREMENTS:

- A. HARNESS CONNECTOR IS COMPATIBLE WITH THE FOLLOWING ISO WIRE SIZE NO'S:
 0.35mm², MEETING GMW15626 - MIN OD OF 1.30MM
 0.50mm², MEETING GMW15626
 0.75mm², MEETING GMW15626 - MAX OD OF 2.06MM

B. CABLE TIE SPECIFICATIONS:

1. CABLE TIE:
 - TENSILE RATING: 220N / (50lbs) MIN
 - TIE LENGTH: 186mm MIN
 - TIE WIDTH: 4.75mm MAX
 - MATERIAL: NYLON
2. INSTALLATION:
 - CABLE TIE TENSION: 190N MIN
3. DRESSED WIRE BUNDLE PACKAGING: SEE FIG. 1

C. WHEN MATED WITH COMPONENT CONNECTOR INTERFACE AND/OR DRESS COVER, HARNESS CONNECTOR SYSTEM CONFORMS TO THE FOLLOWING:

1. SAE/USCAR-2, REV: 3 APRIL, 2001; CLASS 3
2. FIELD CORRELATED LIFE TEST, SAE/USCAR-20, NOV. 2001
3. GMW #3191 AUGUST 22, 2000 (DRAFT); TEMPERATURE CLASS 3, SEALING CLASS 1, VIBRATION CLASS 2
4. RESTRICTED AND REPORTABLE CHEMICALS PER GMW #3059, REV: D AUGUST 2002
5. TPA USER FORCES (FULLY POPULATED WITH TERMINALS)
 - a. REMOVAL FROM LOCK TO PRE-SET: <=120N

D. WIRE SPECIFICATIONS:

1. WIRE SURFACE MUST BE FREE OF SCRATCHES, GROOVES OR DENTS WHERE FUNCTIONAL

5. TERMINAL CURRENT RATINGS:

A. MX64 RCPT TERM

ALL TESTING DONE IN ACCORDANCE WITH USCAR-2 REV5 SECTION 5.3

1. MX64 RCPT TERM Ag 0.50/0.75mm² CRIMPED TO 0.75mm² ISO WIRE AND MATED TO MX123 0.64MM PIN: SEE TABLE BELOW
2. MX64 RCPT TERM Ag 0.35mm² CRIMPED TO 0.35mm² ISO WIRE AND MATED TO MX123 0.64MM PIN: SEE TABLE BELOW

WIRE	CURRENT RATING			
	23°C	85°C	105°C	125°C
0.75mm ²	11.3A	11.3A	9.5A	6.6A
0.50mm ²	10.0A	10.0A	8.3A	5.7A
0.35mm ²	8.5A	8.5A	7.1A	5.0A

B. 2.8MM RCPT TERM

ALL TESTING DONE IN ACCORDANCE WITH MOLEX DVP&R 0279 (TR # 7125)

1. 2.8MM RCPT TERM TIN 2.0mm² CRIMPED TO 2.0mm² ISO WIRE AND MATED TO MX123 2.8MM BLADE: 25.6 AMPS AT 125°C

6. CONTACT MOLEX AUTOMOTIVE FOR AVAILABLE CUSTOM PATTERNS OF CAVITIES OPEN FOR CIRCUITS - SEE GM DRAWING 13507496



PAGE TITLE
NOTES

DRAWING NUMBER

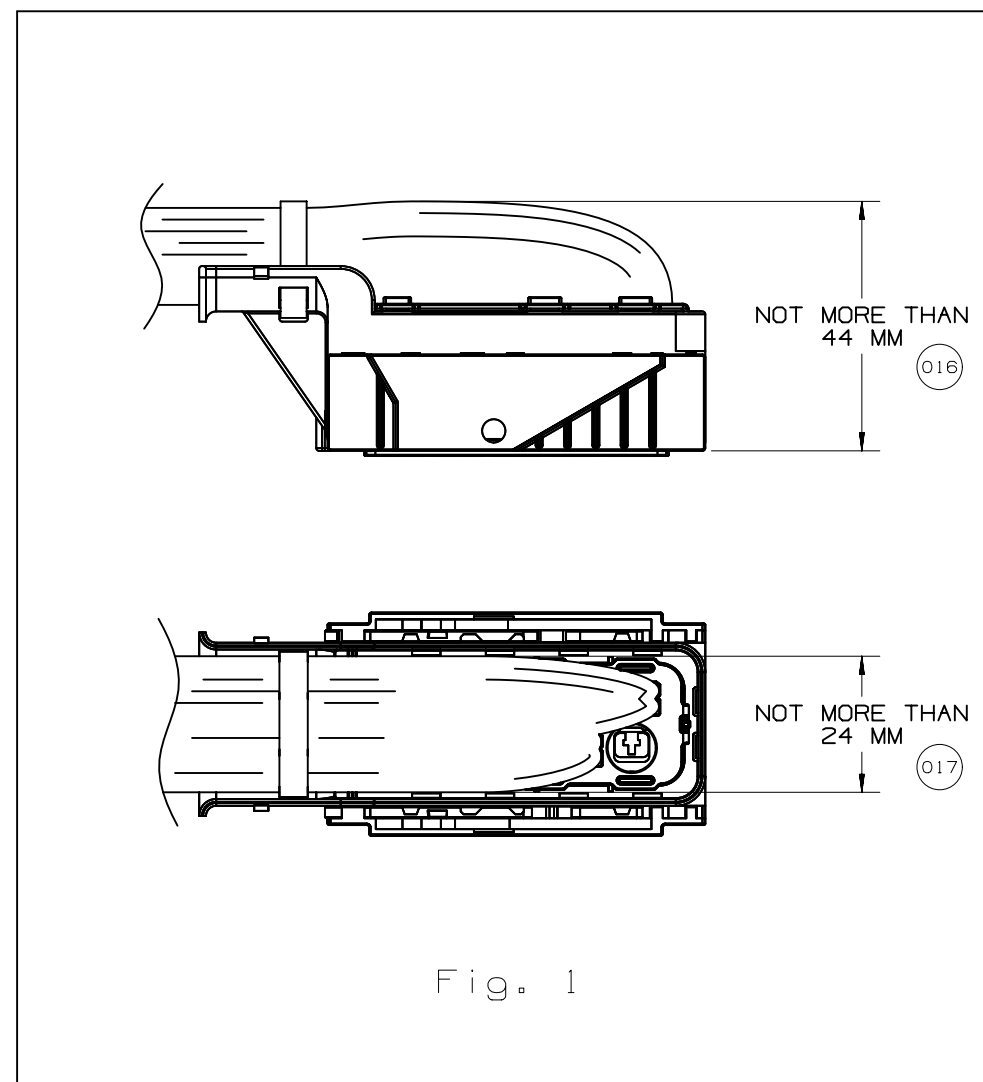
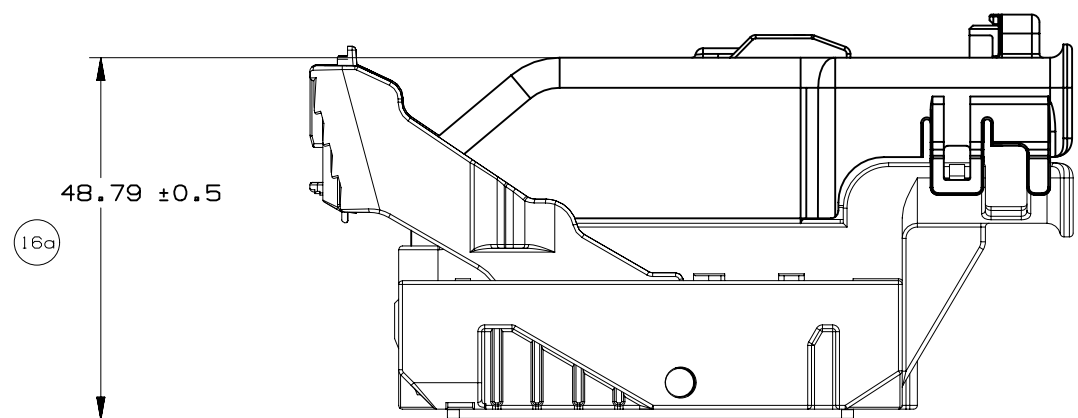
12672833

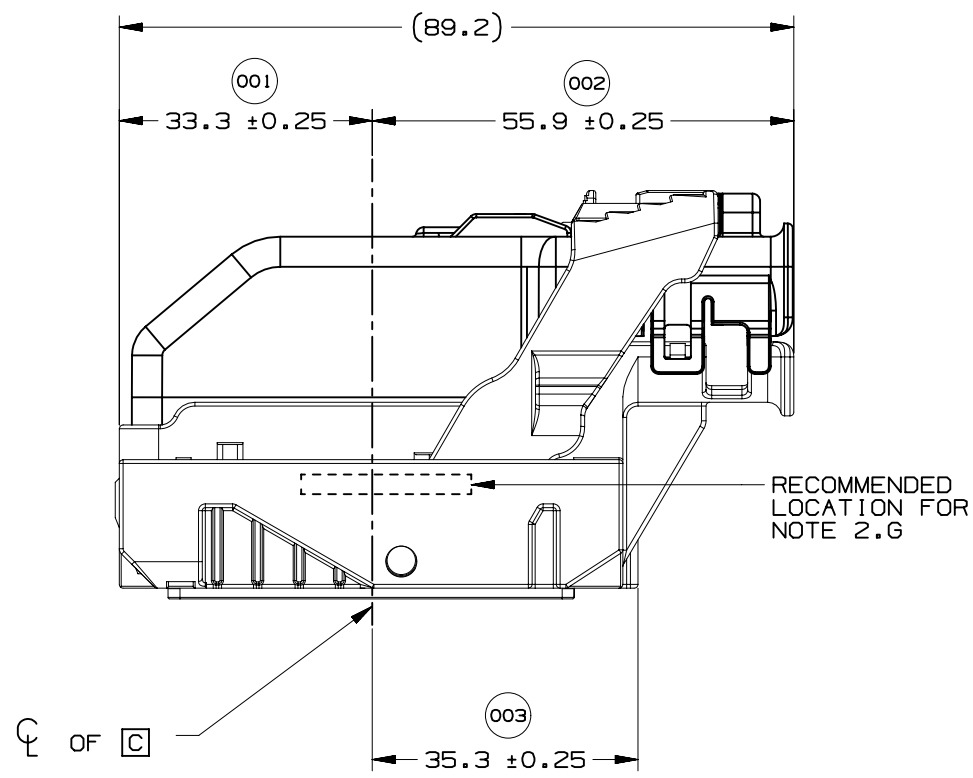
DWG STATUS

ST	REV	PDI
R	001	

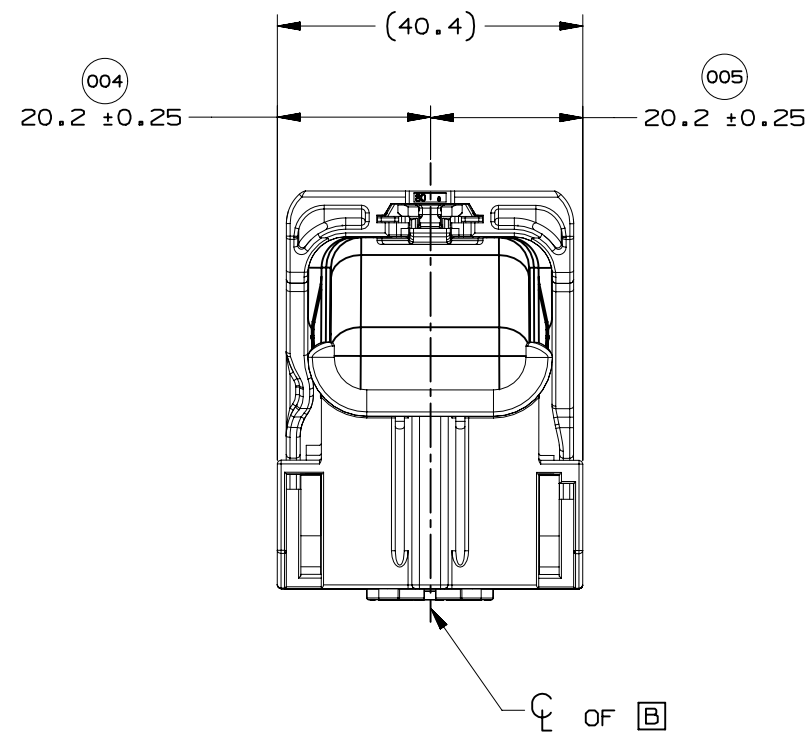
PAGE NUMBER

7 OF 22

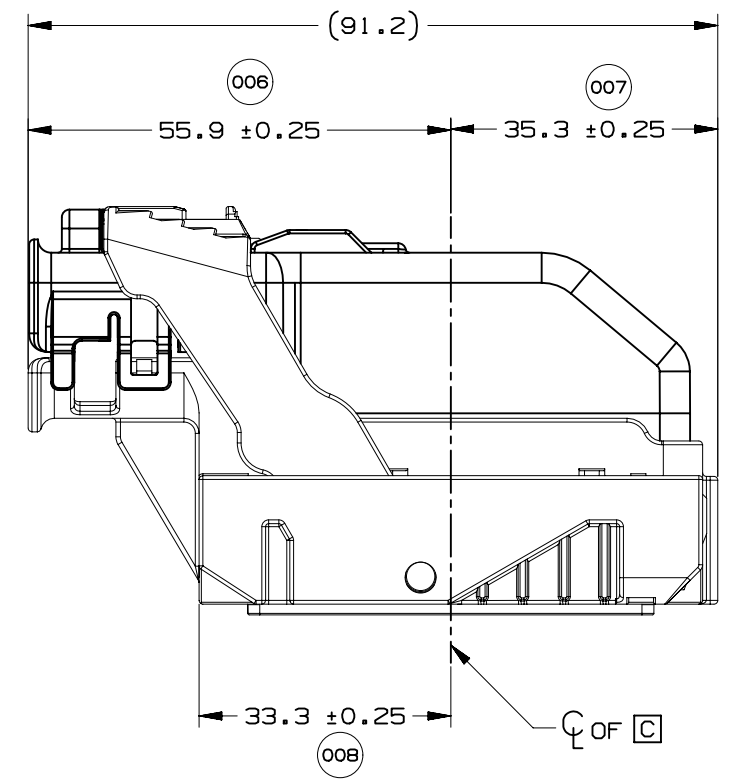




WIRE DRESS OPTION 0 SHOWN

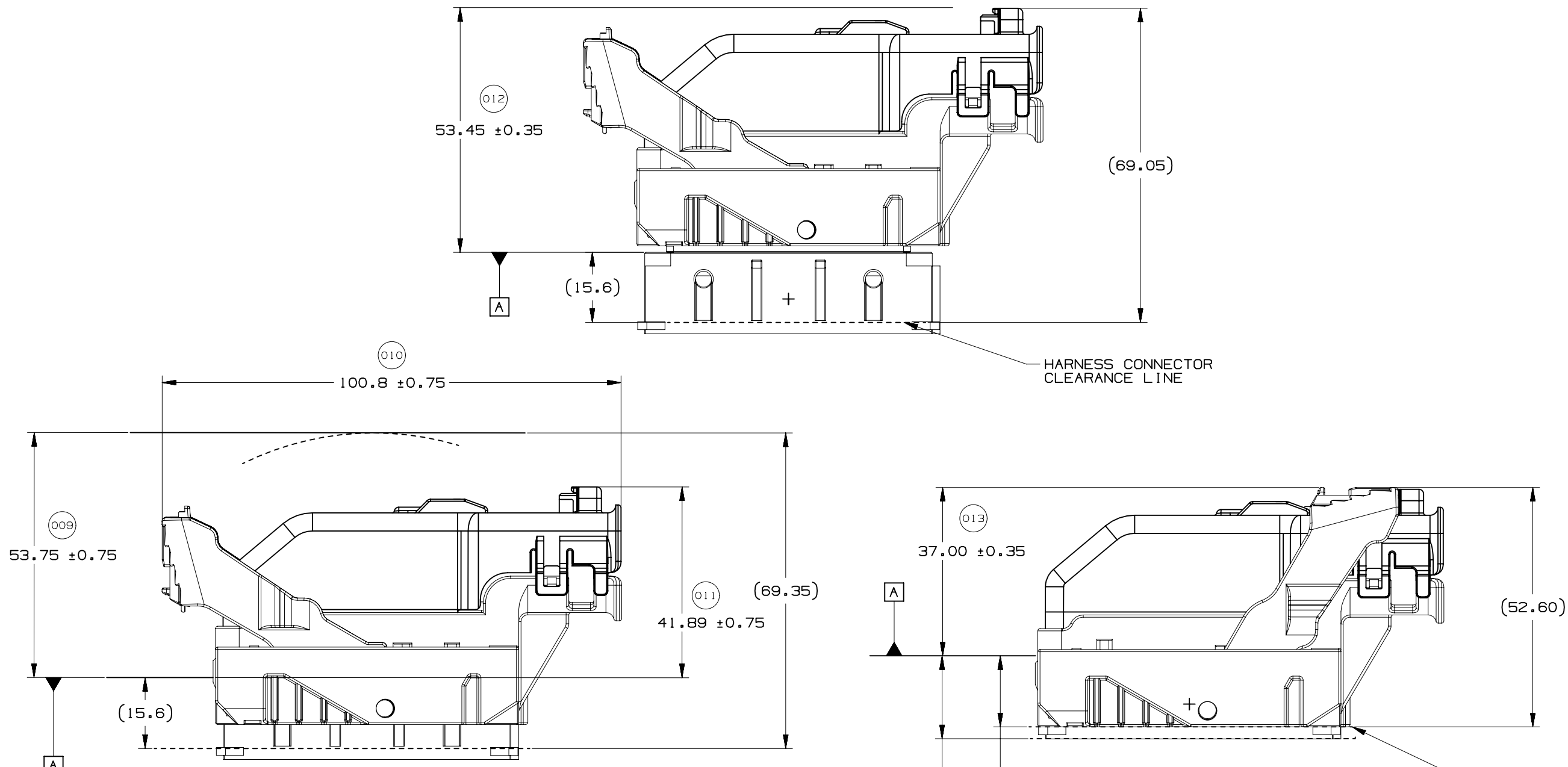


WIRE DRESS OPTION 0 SHOWN



WIRE DRESS OPTION 9 SHOWN





HARNESS CONNECTOR CLEARANCE LINE

HARNESS CONNECTOR ASSEMBLY IN FULLY-MATED POSITION

HARNESS CONNECTOR CLEARANCE LINE

15.6 MIN. ALL AROUND CLEARANCE REQUIRED FOR HARNESS CONNECTOR (014)

17.9 MIN. AT PAD LOCATION CLEARANCE REQUIRED FOR HARNESS CONNECTOR CONSTRUCTION BELOW THIS PLANE IS NOT CONTROLLED (015)

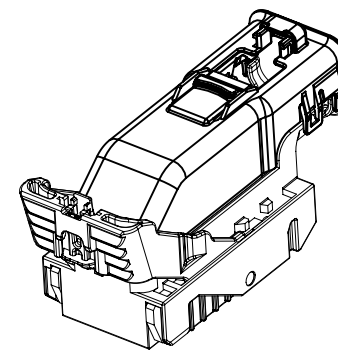
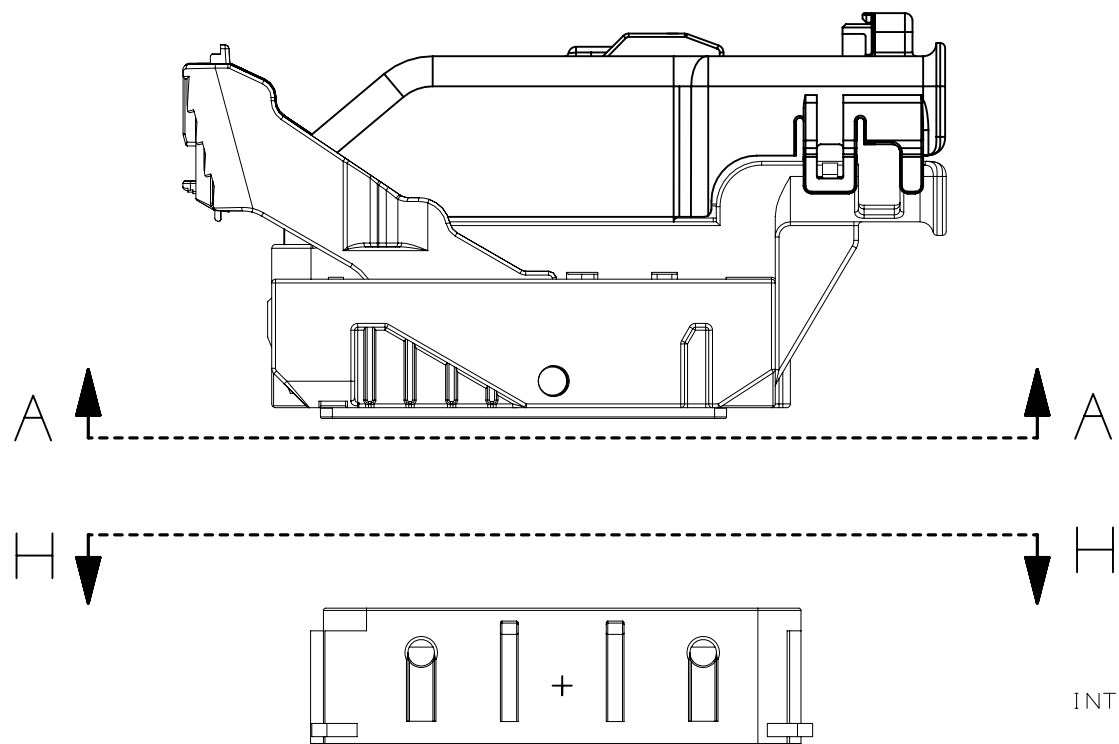


PAGE TITLE
LOCATION AND PACKAGING DIMENSIONS
REFERENCING INTERFACE DATUM A

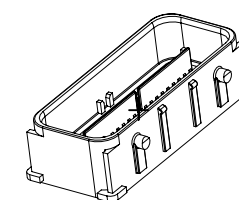
DRAWING NUMBER
12672833

DWG STATUS		
ST	REV	PD1
R	001	

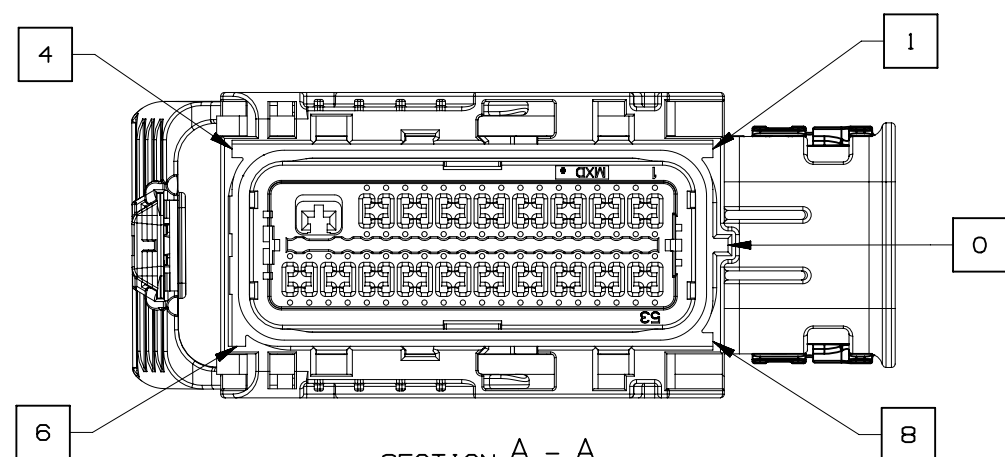
PAGE NUMBER
10 OF 22



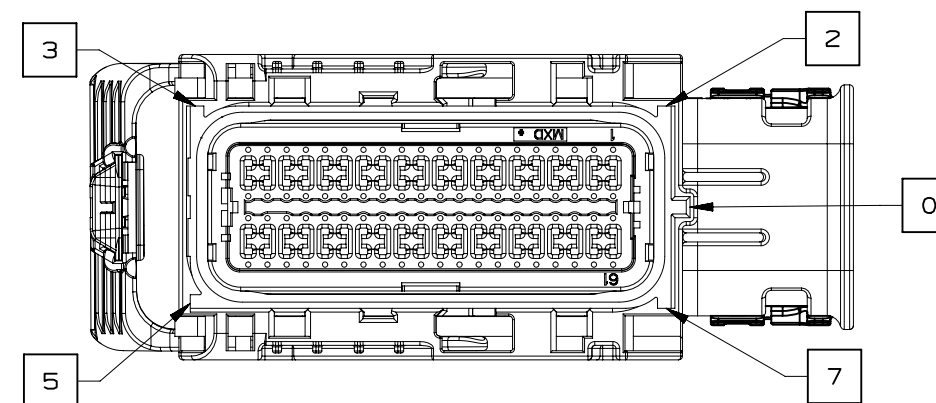
NOTE: REFERENCE THE COMPONENT TABLE FOR KEY OPTIONS AND CONFIGURATIONS



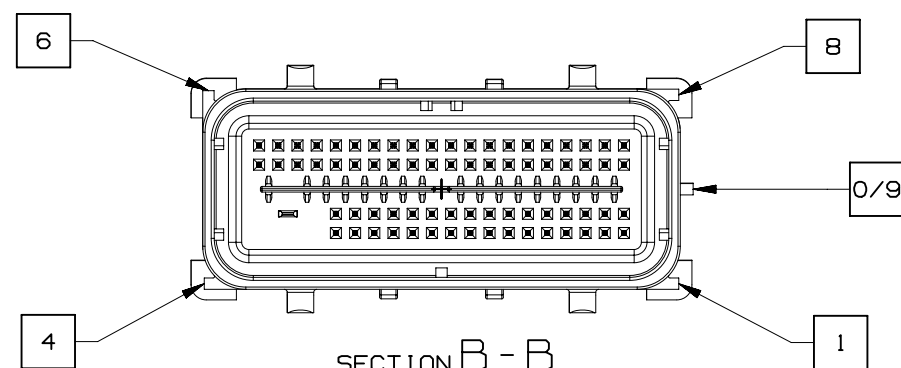
INTERFACE SIDE SHOWN ON ALL SECTION VIEWS



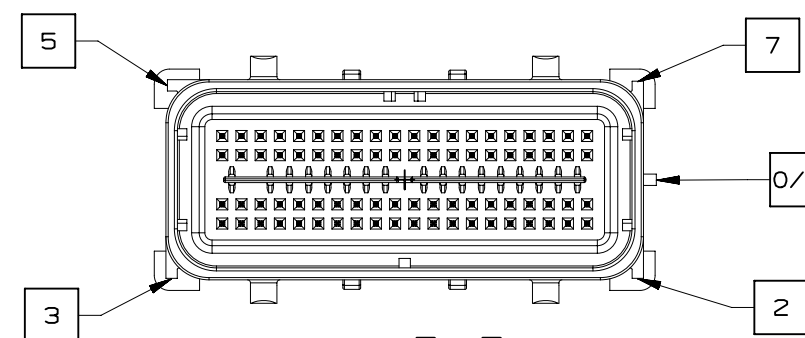
SECTION A - A
73 CKT HARNESS CONNECTOR ASSEMBLY
KEY OPTION B SHOWN



SECTION A - A
80 CKT HARNESS CONNECTOR ASSEMBLY
KEY OPTION K SHOWN



SECTION B - B
73 CKT HARNESS CONNECTOR ASSEMBLY
KEY OPTION B SHOWN



SECTION B - B
80 CKT HARNESS CONNECTOR ASSEMBLY
KEY OPTION K SHOWN

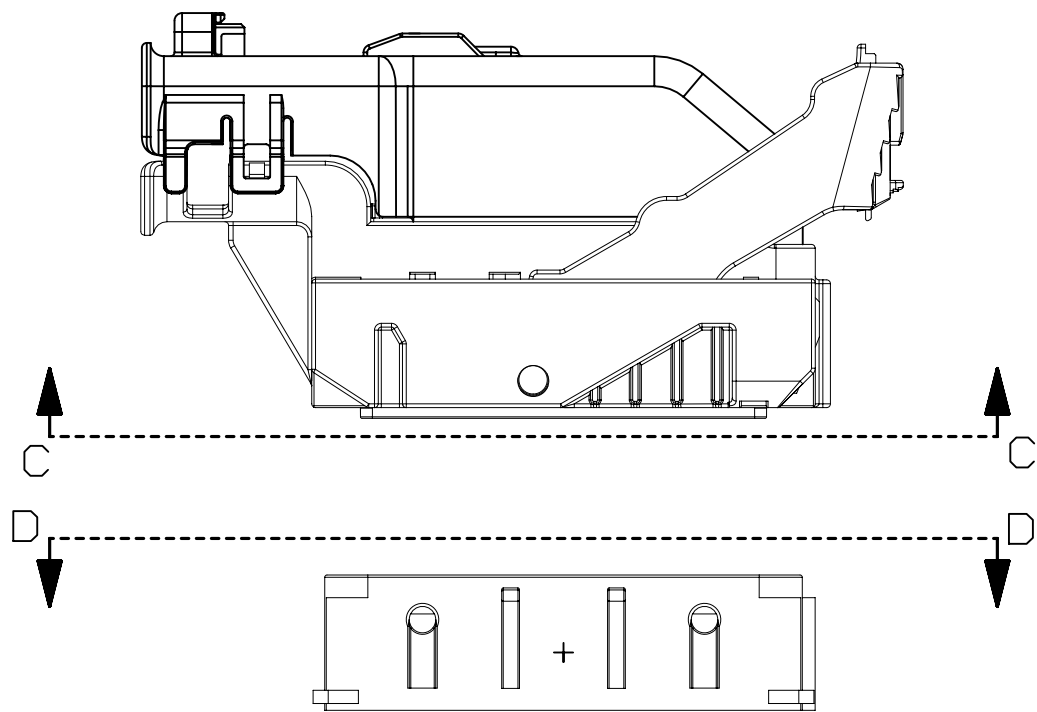


PAGE TITLE
KEY ID REF - WIRE DRESS OPTION 0

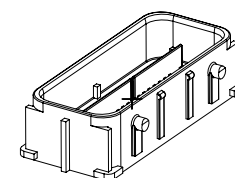
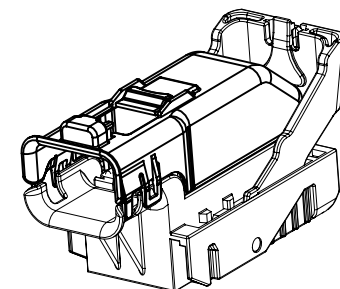
DRAWING NUMBER
12672833

DWG STATUS		
ST	REV	PD1
R	001	

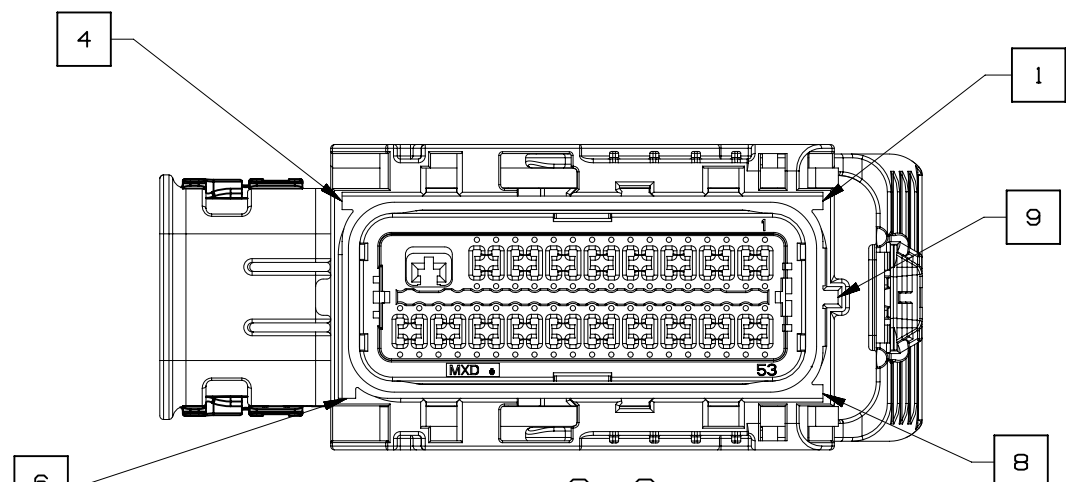
PAGE NUMBER
11 OF 22



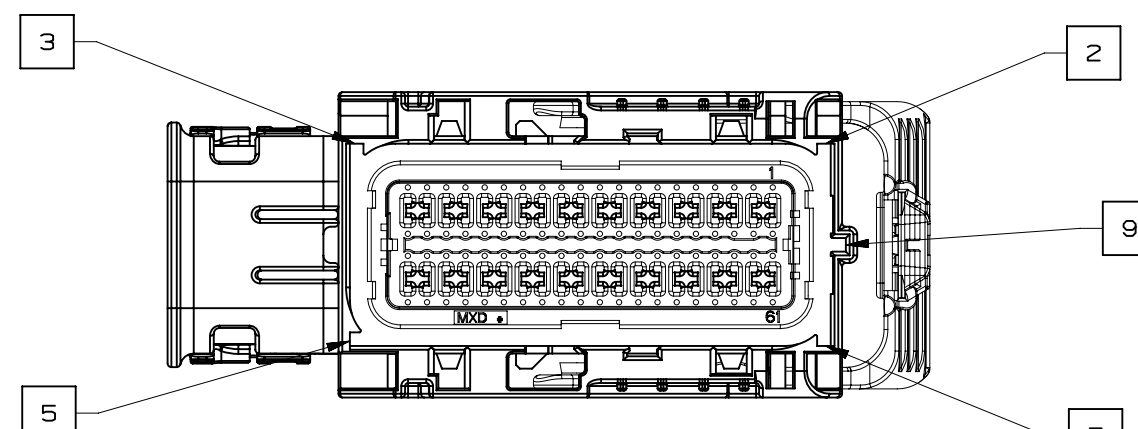
INTERFACE SIDE SHOWN ON ALL SECTION VIEWS



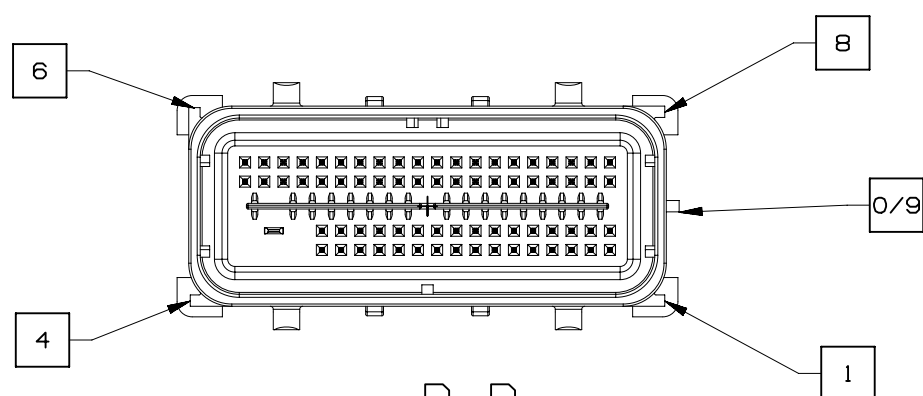
NOTE: REFERENCE THE COMPONENT TABLE FOR KEY OPTIONS AND CONFIGURATIONS



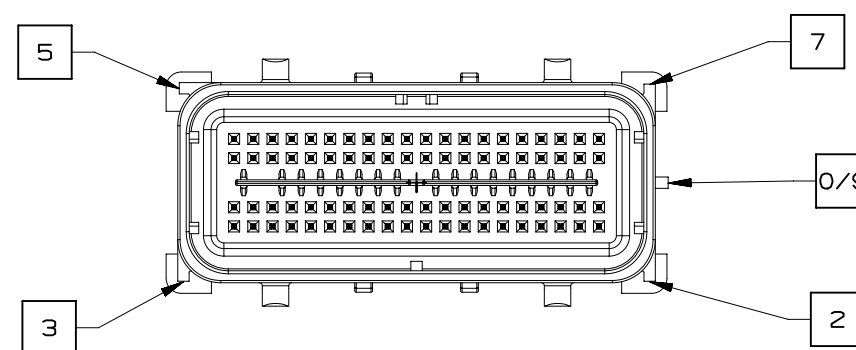
SECTION C - C
73 CKT HARNESS CONNECTOR ASSEMBLY
KEY OPTION B SHOWN



SECTION C - C
80 CKT HARNESS CONNECTOR ASSEMBLY
KEY OPTION K SHOWN



SECTION D - D
73 CKT HARNESS CONNECTOR ASSEMBLY
KEY OPTION B SHOWN



SECTION D - D
80 CKT HARNESS CONNECTOR ASSEMBLY
KEY OPTION K SHOWN

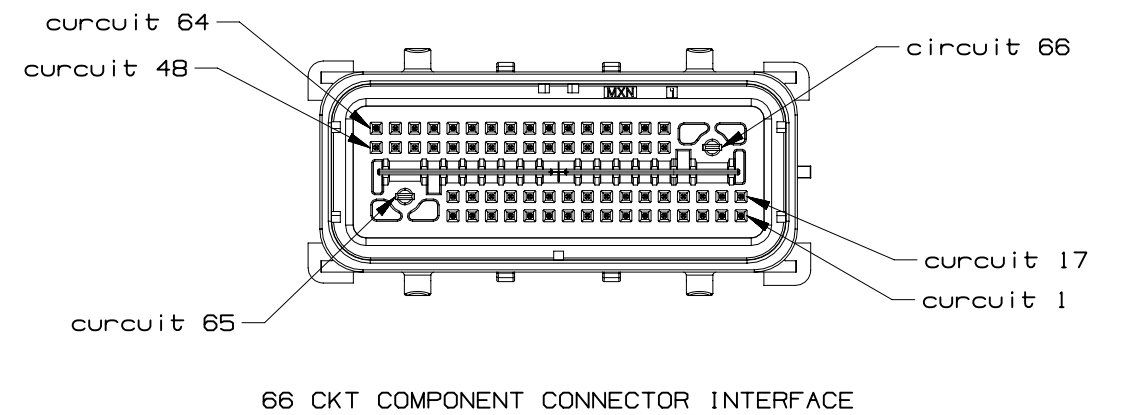
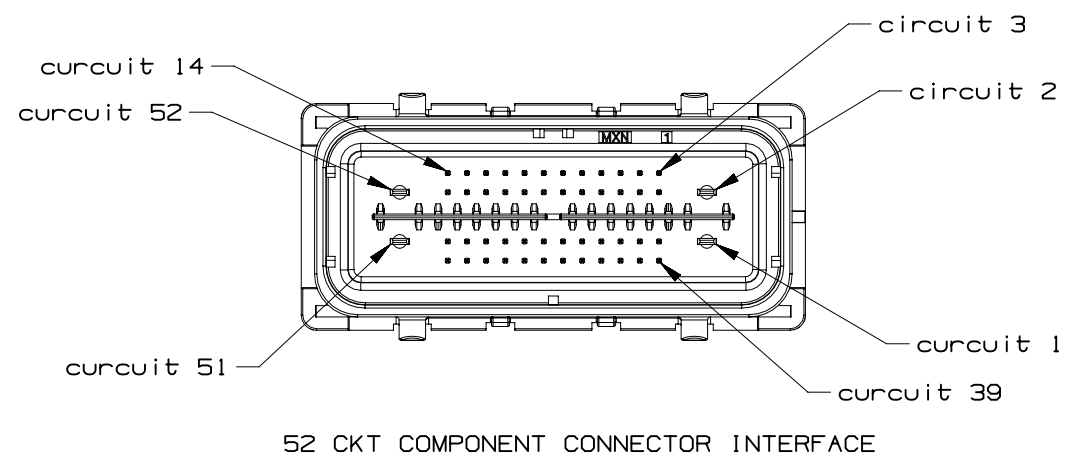
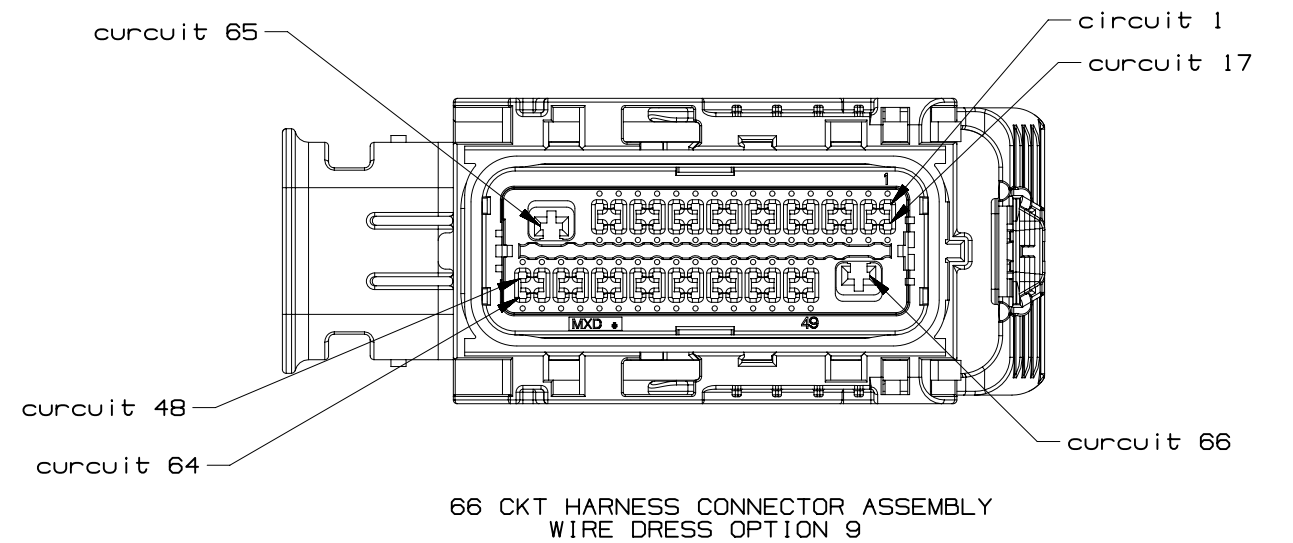
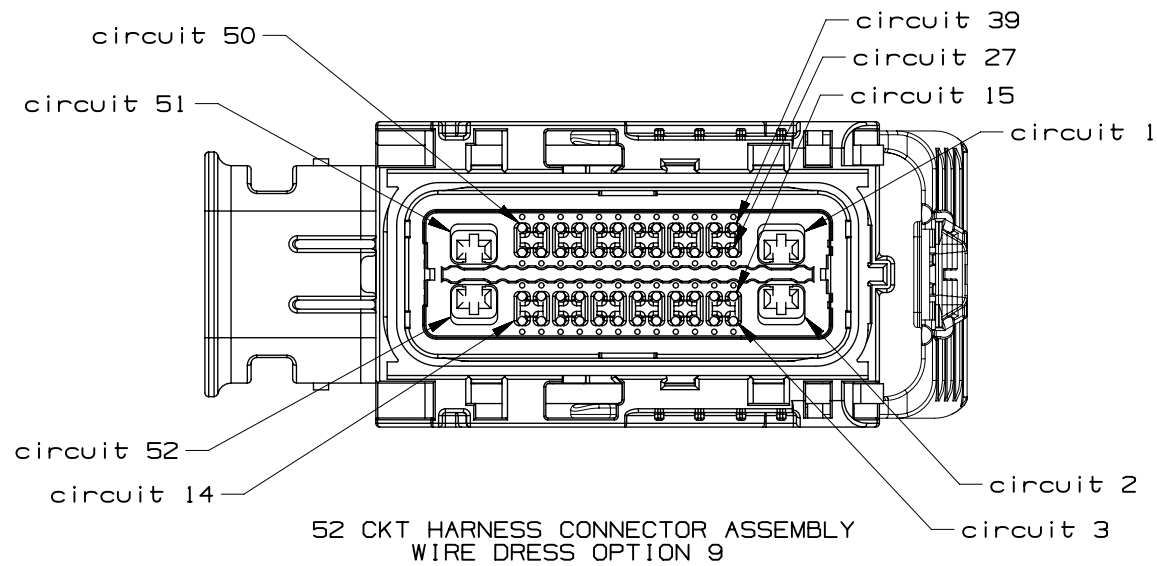
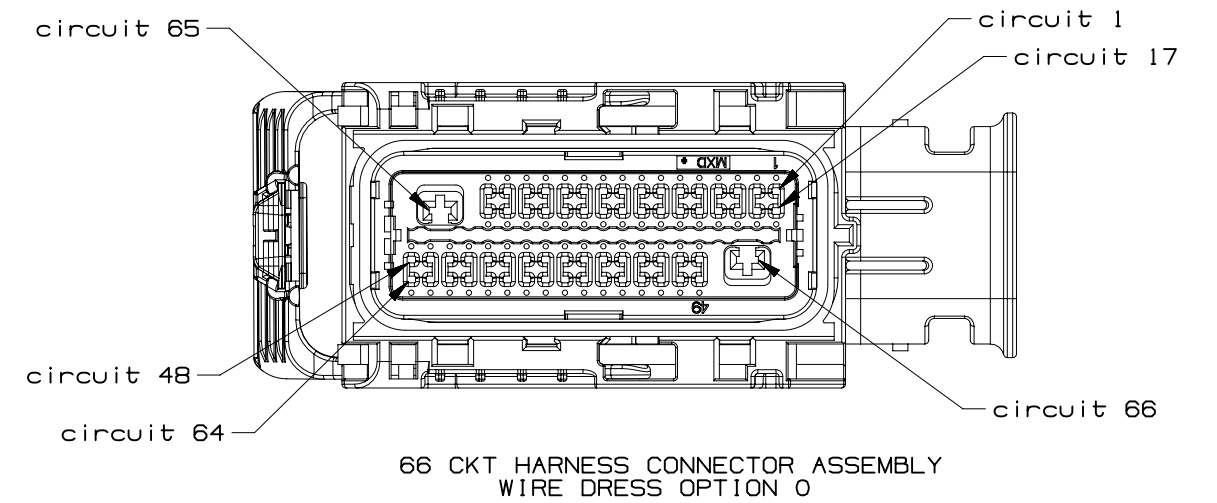
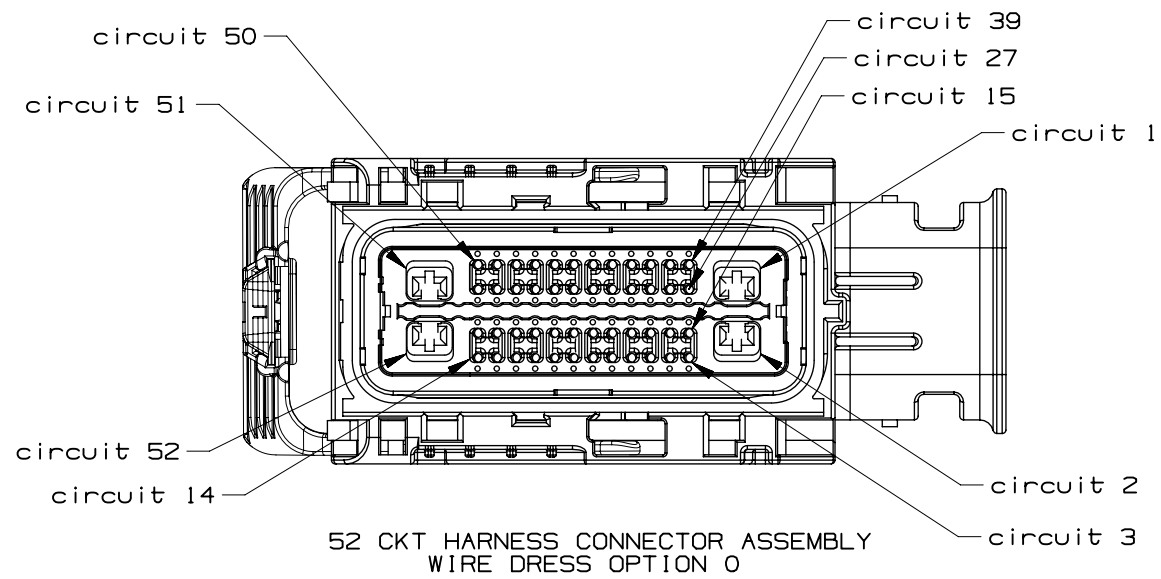


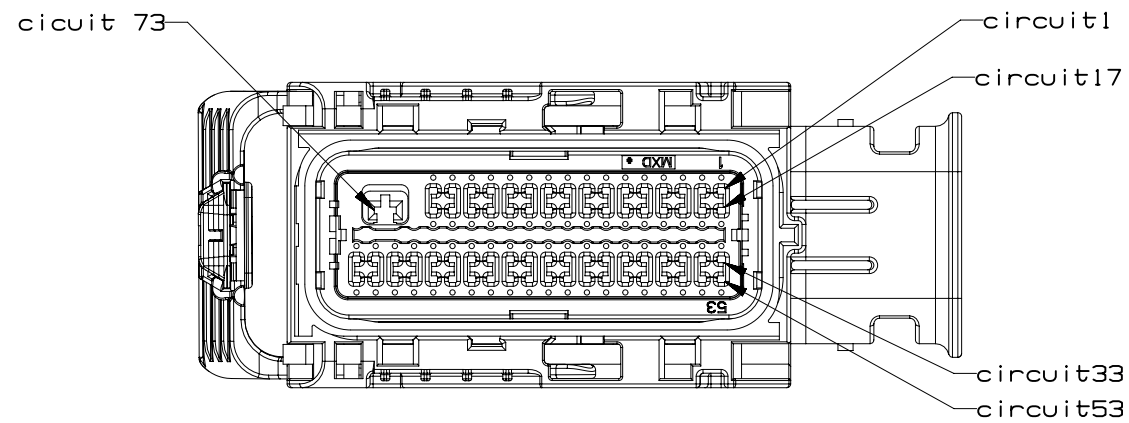
PAGE TITLE
KEY ID REF - WIRE DRESS OPTION 9

DRAWING NUMBER
12672833

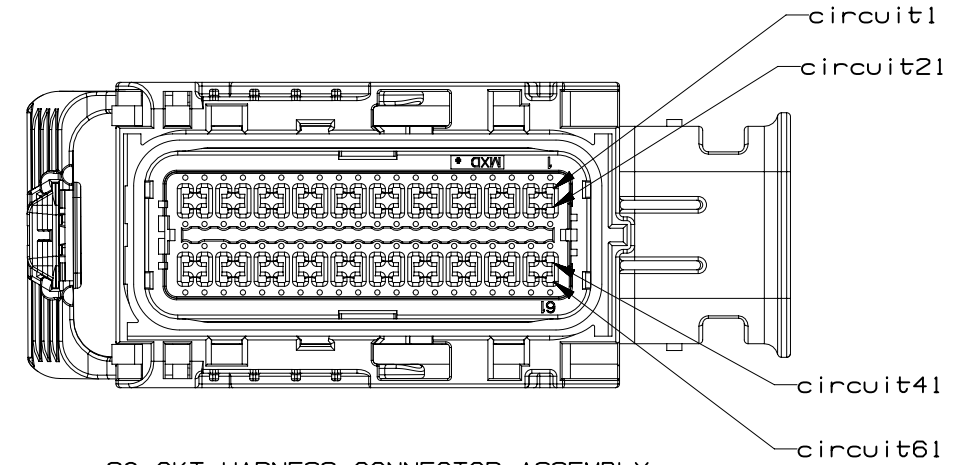
DWG STATUS		
ST	REV	PD1
R	001	

PAGE NUMBER
12 OF 22



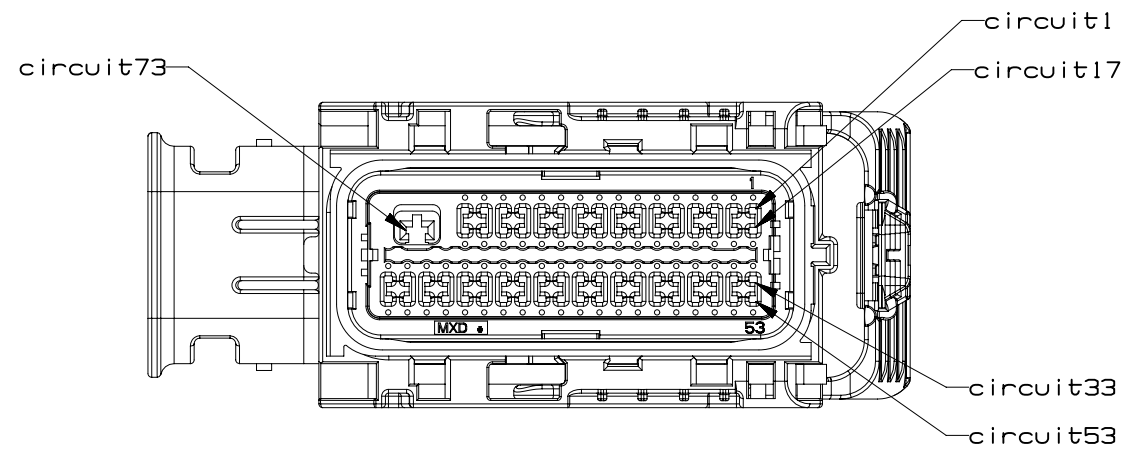


73 CKT HARNESS CONNECTOR ASSEMBLY
WIRE DRESS OPTION 0

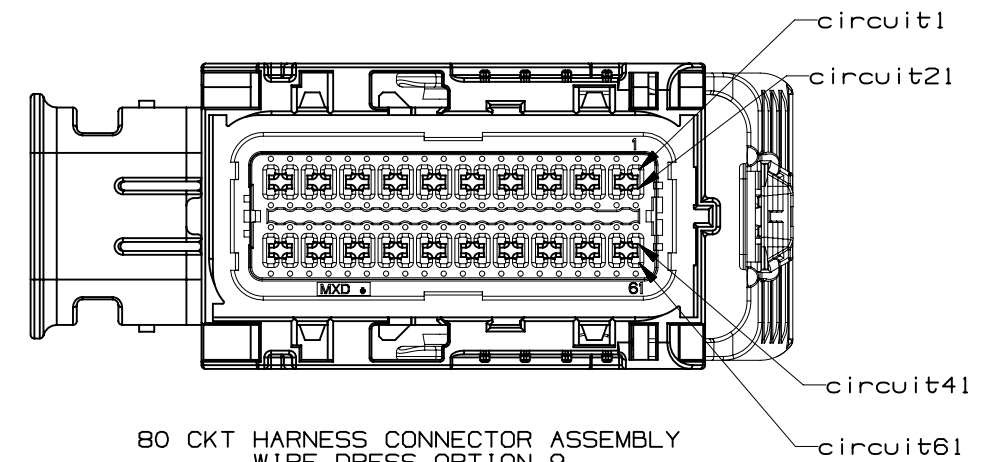


80 CKT HARNESS CONNECTOR ASSEMBLY
WIRE DRESS OPTION 0

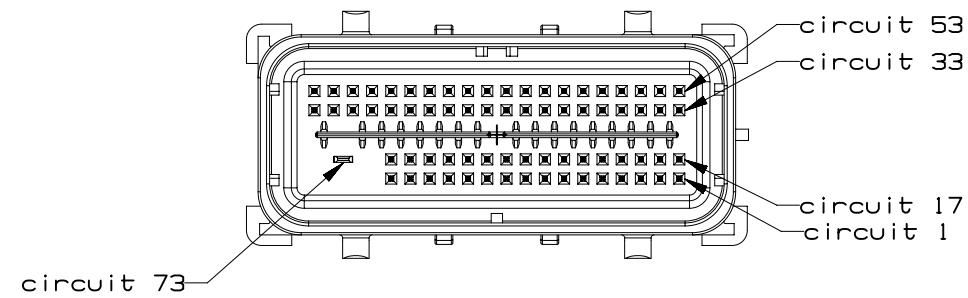
INTERFACE SIDE SHOWN ON ALL VIEWS



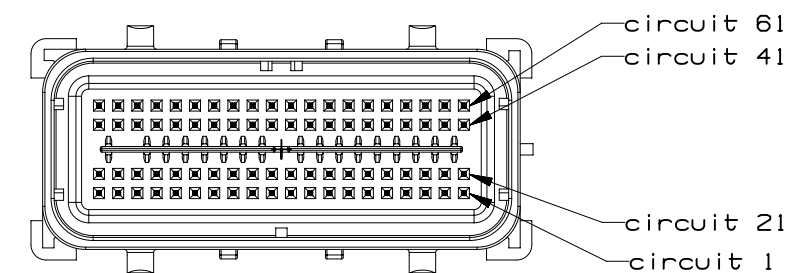
73 CKT HARNESS CONNECTOR ASSEMBLY
WIRE DRESS OPTION 9



80 CKT HARNESS CONNECTOR ASSEMBLY
WIRE DRESS OPTION 9

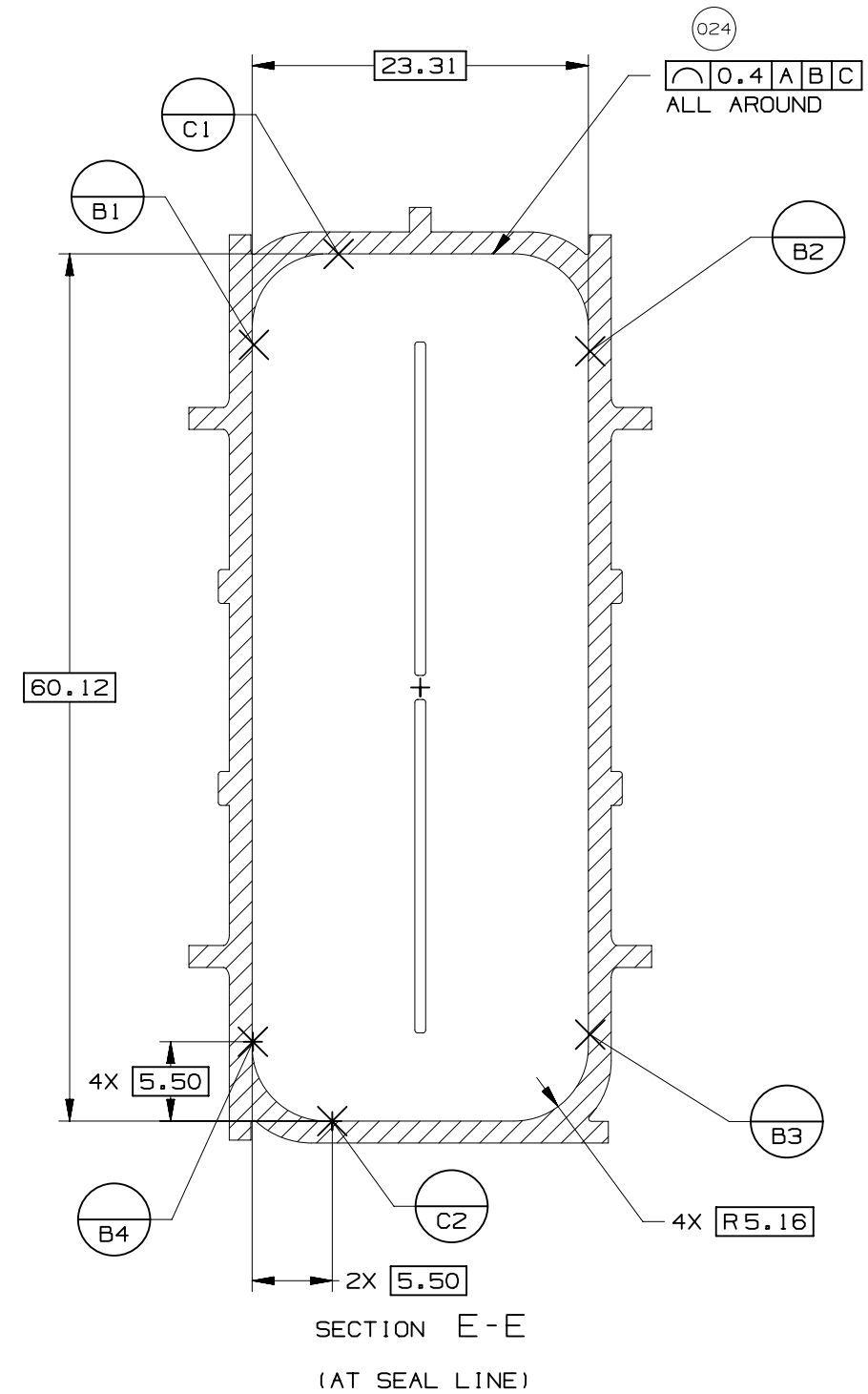
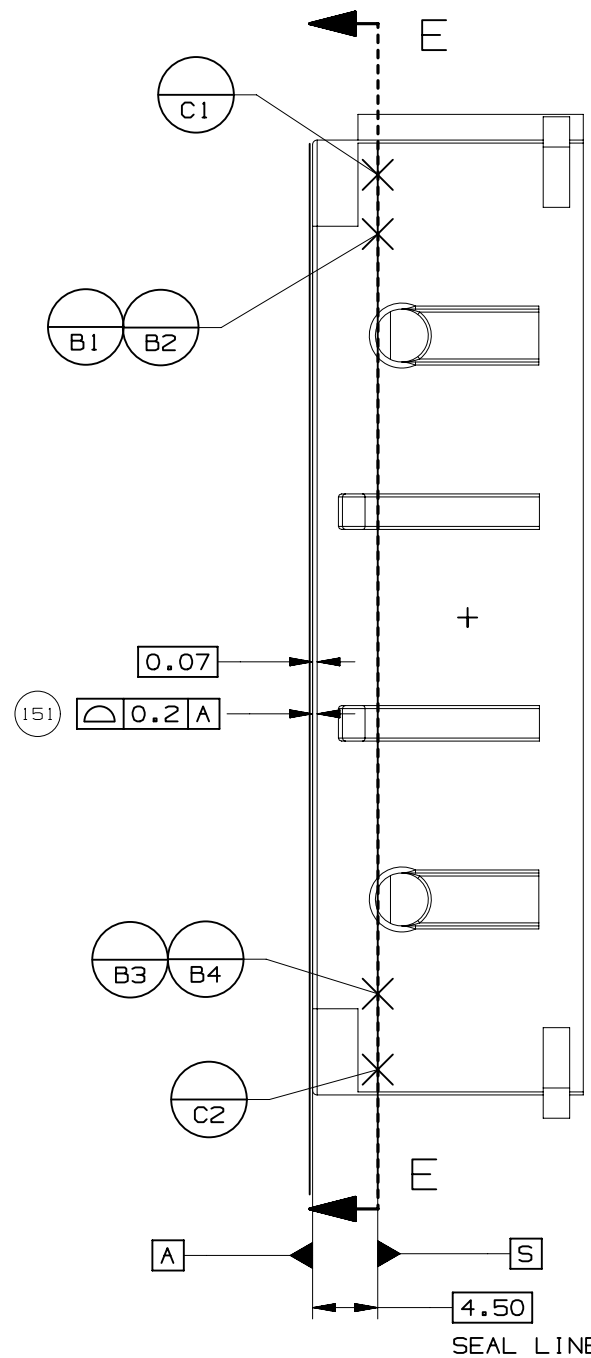
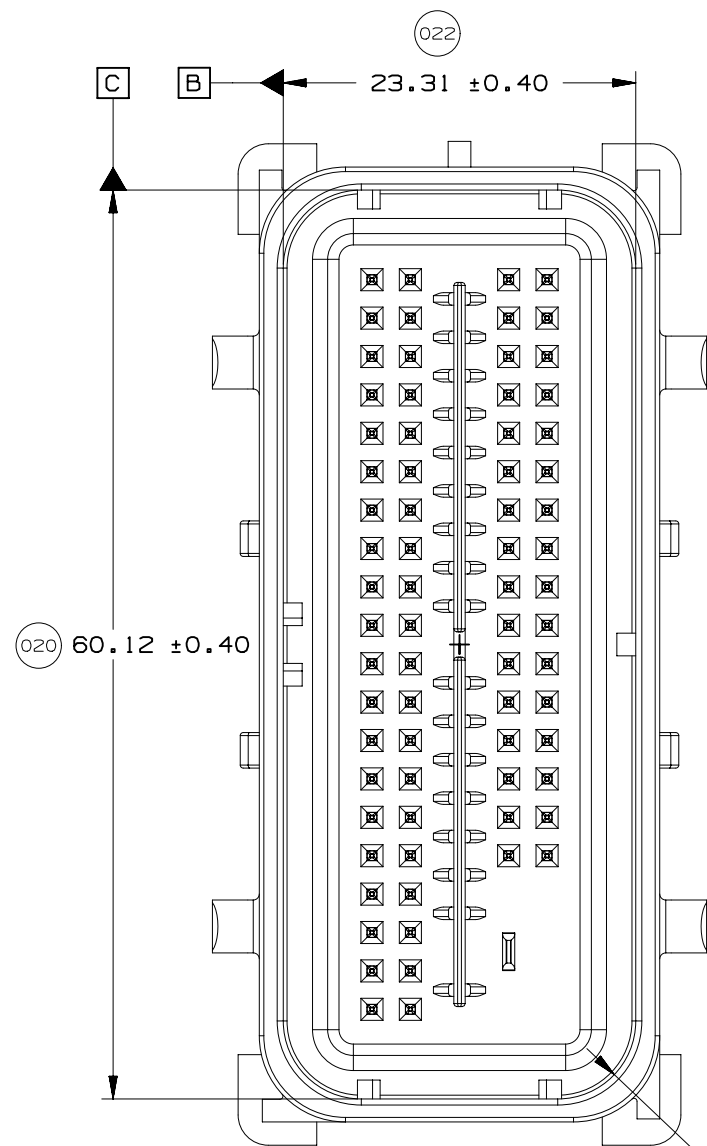
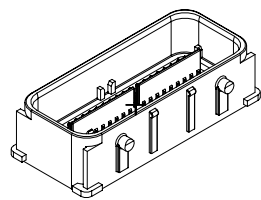


73 CKT COMPONENT CONNECTOR INTERFACE



80 CKT COMPONENT CONNECTOR INTERFACE





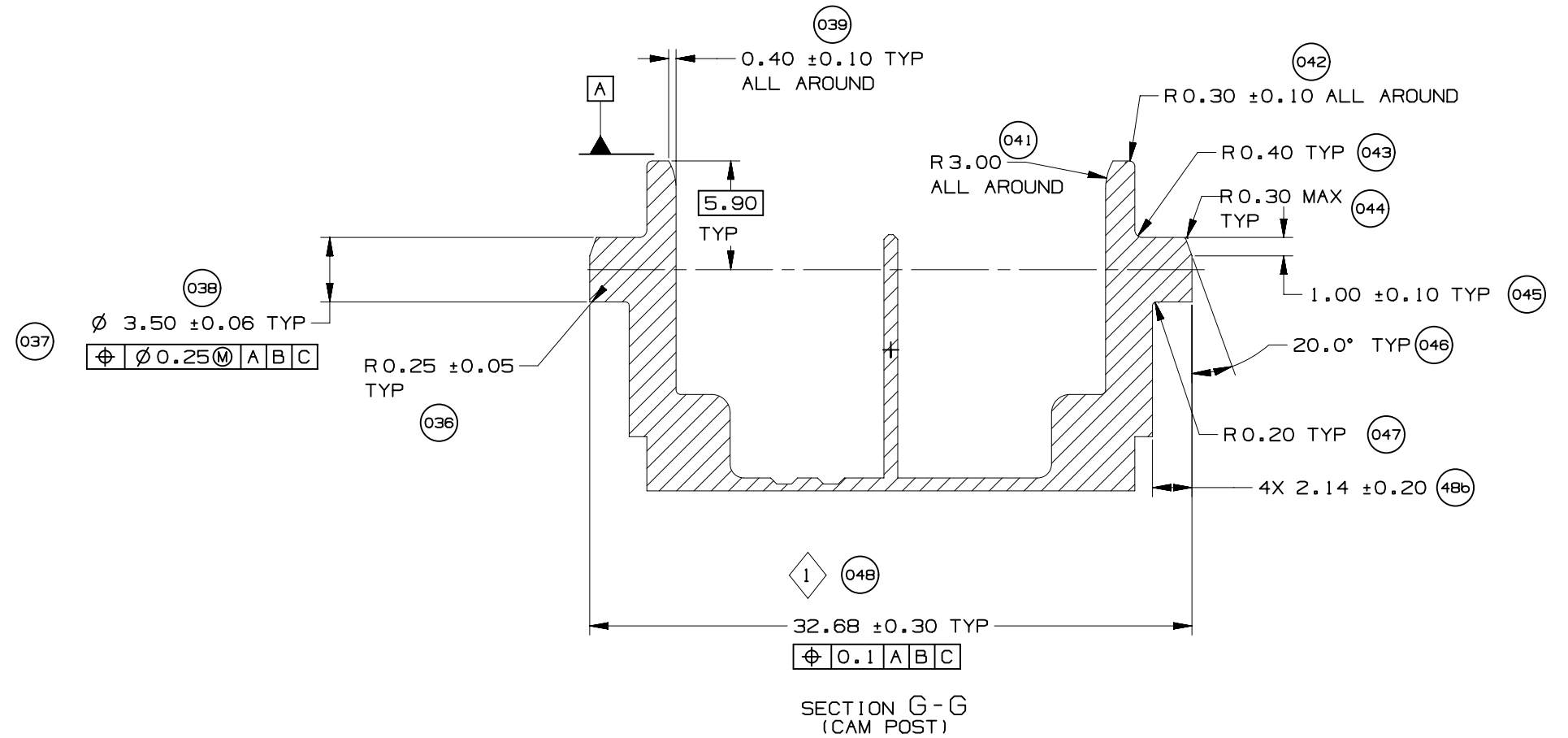
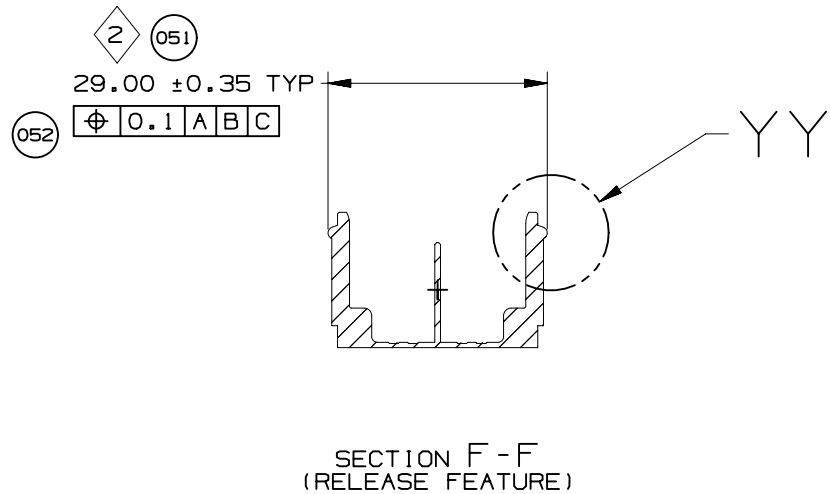
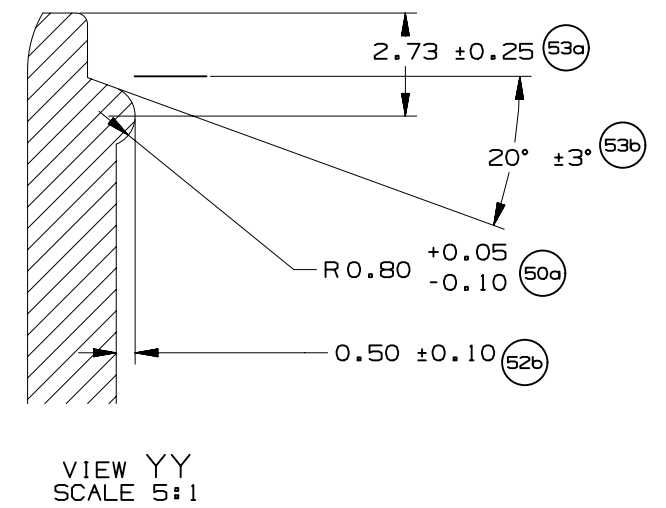
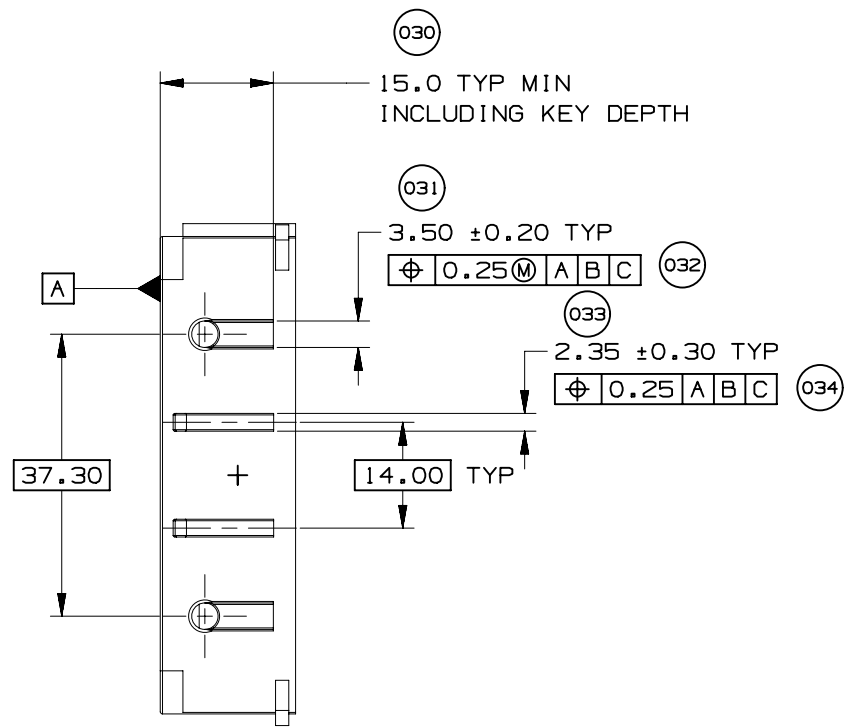
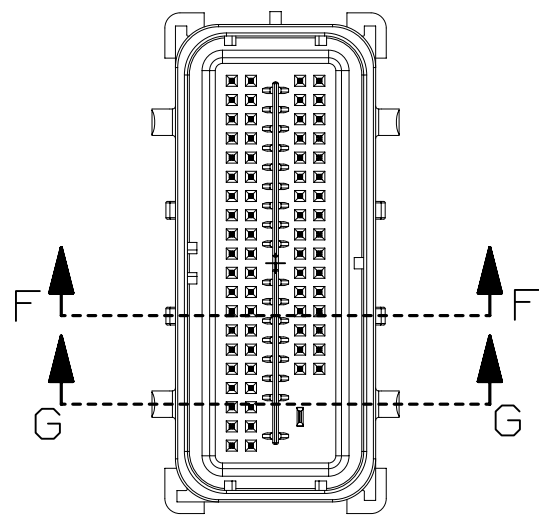
UNLESS SPECIFIED, TOLERANCE OF THE COMPONENT CONNECTOR INTERFACE TO BE 0.13 A B C



PAGE TITLE
COMPONENT CONNECTOR INTERFACE

DRAWING NUMBER
12672833

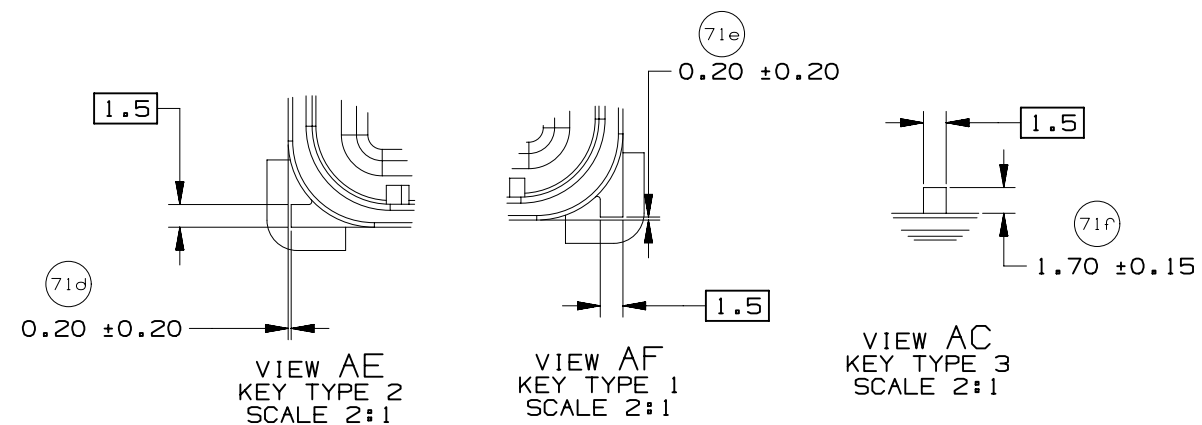
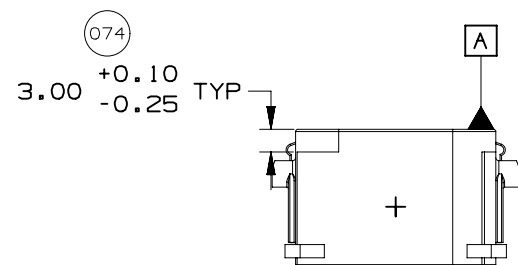
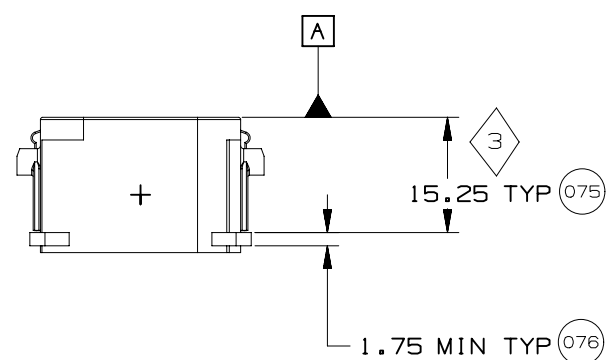
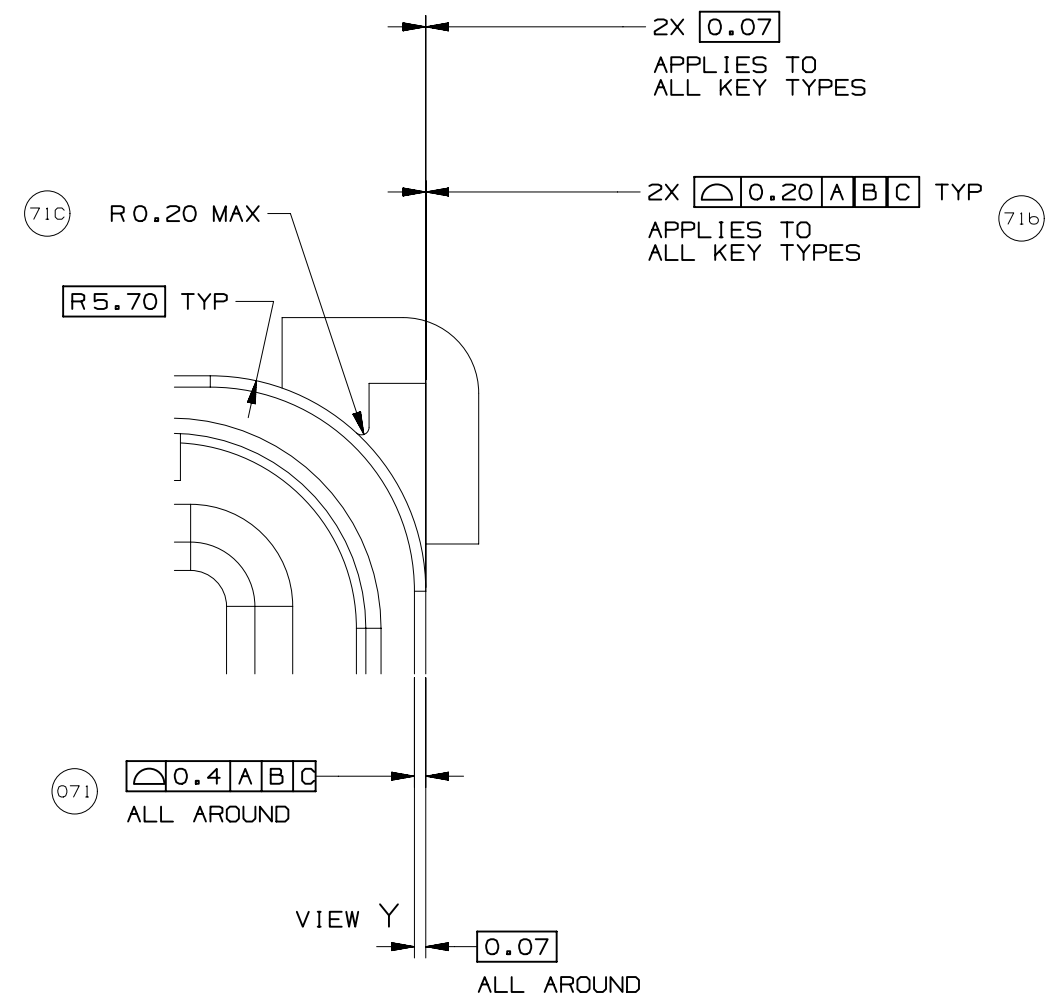
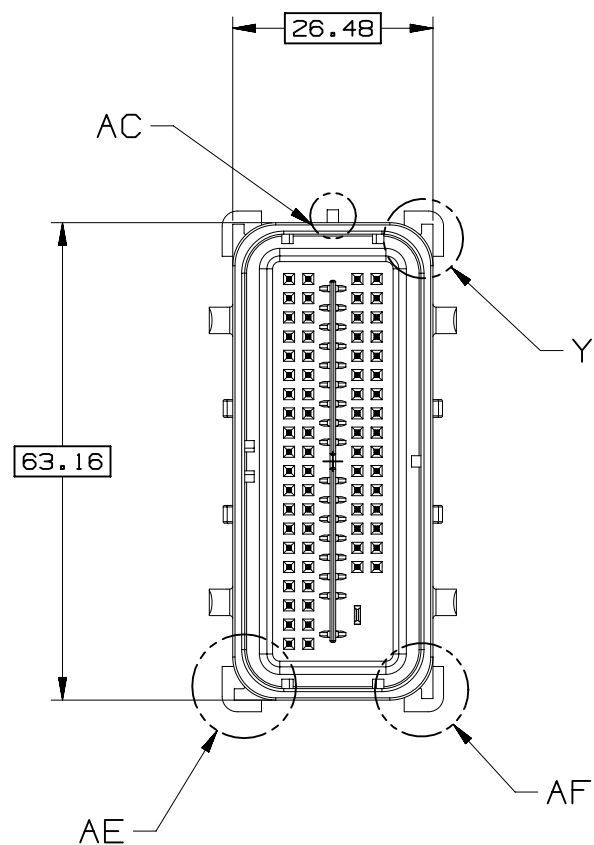
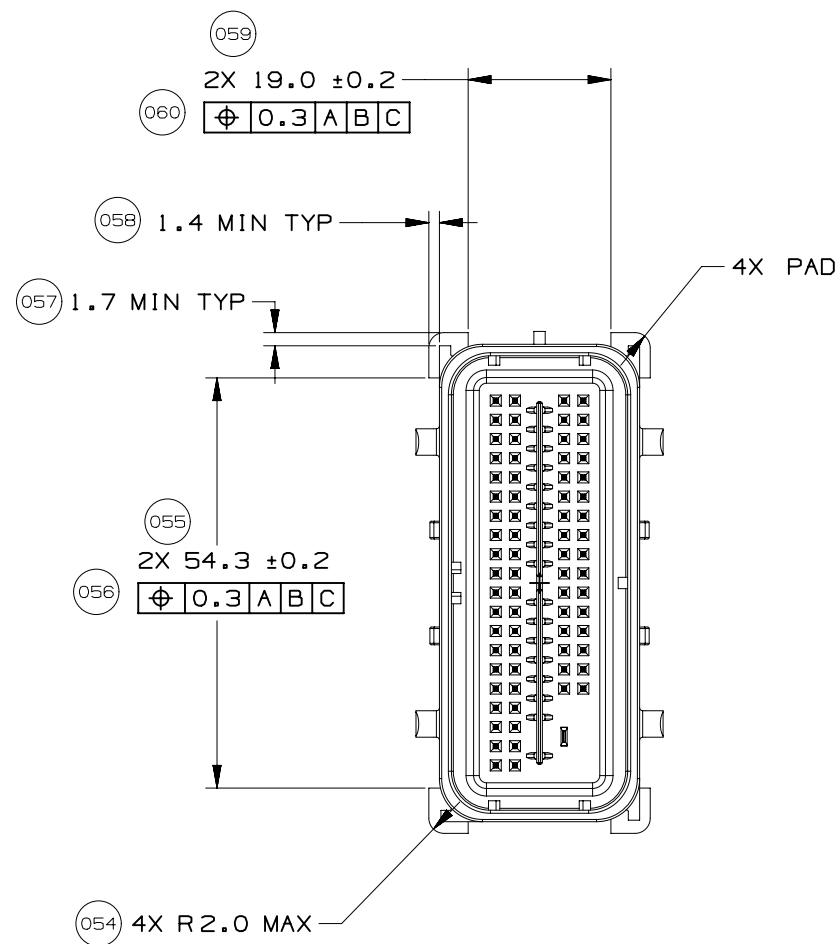
DWG STATUS			PAGE NUMBER
ST	REV	PD1	
R	001		15 OF 22



PAGE TITLE
COMPONENT CONNECTOR INTERFACE

DRAWING NUMBER
12672833

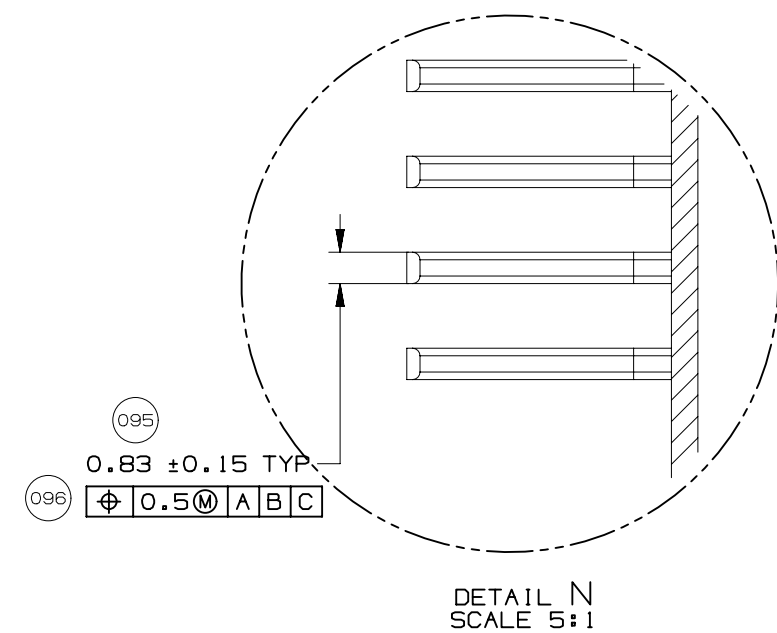
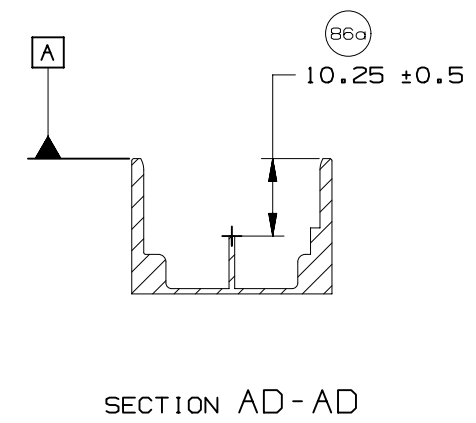
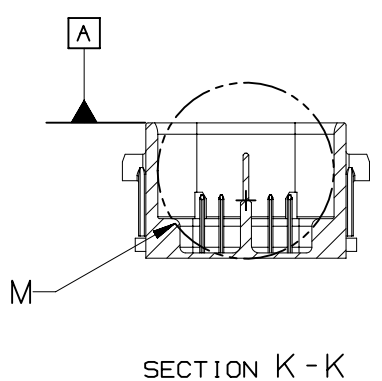
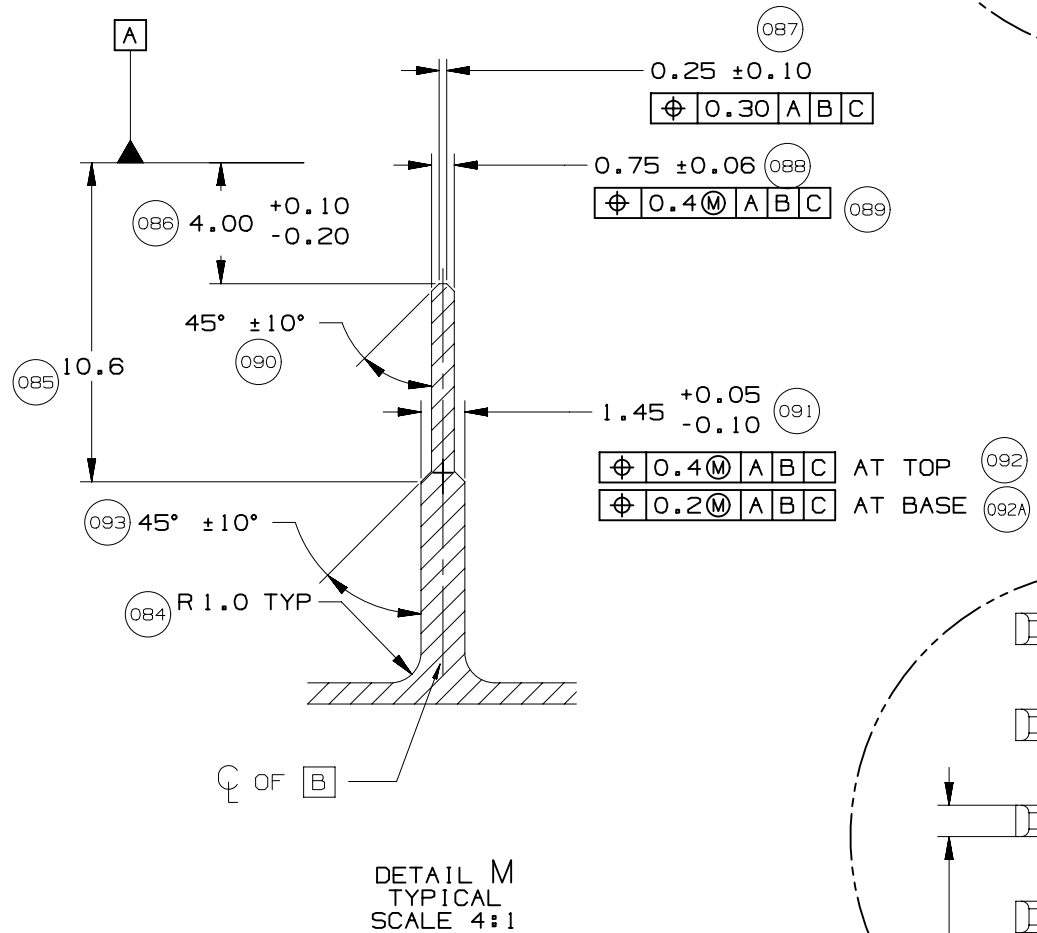
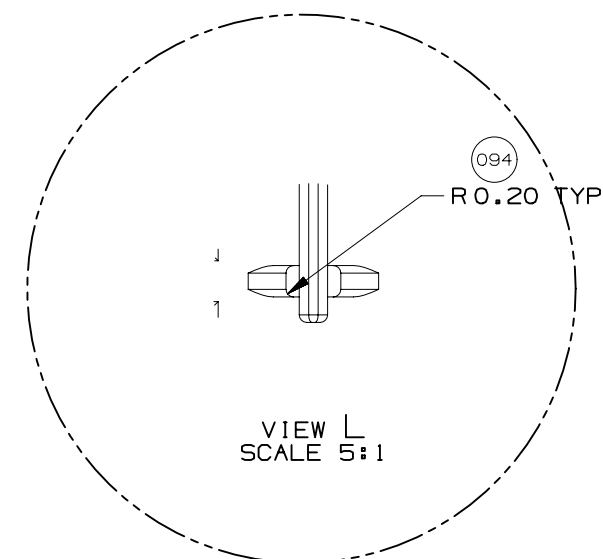
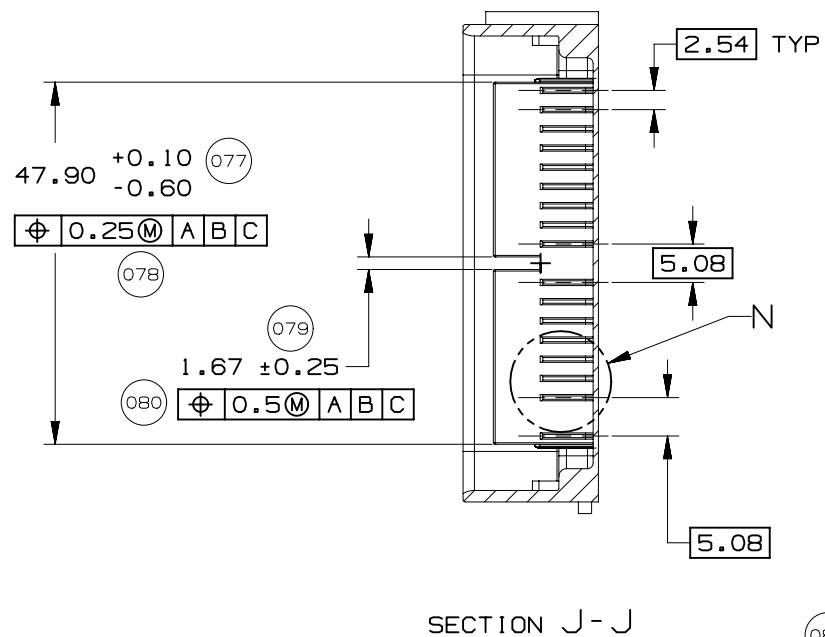
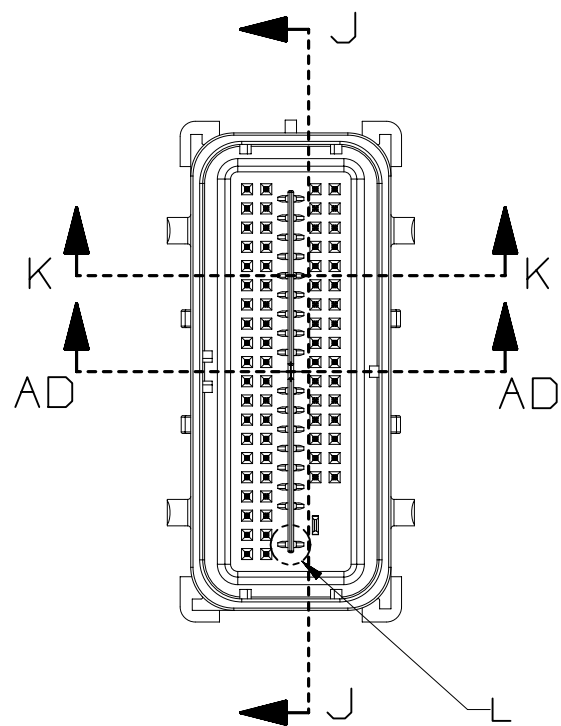
DWG STATUS			PAGE NUMBER
ST	REV	PDI	
R	001		16 OF 22

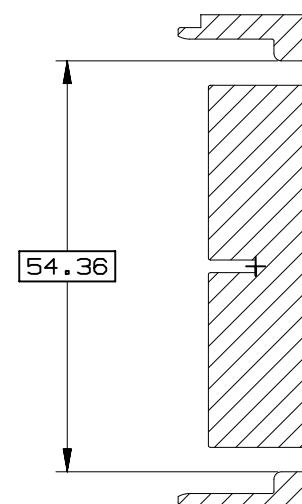
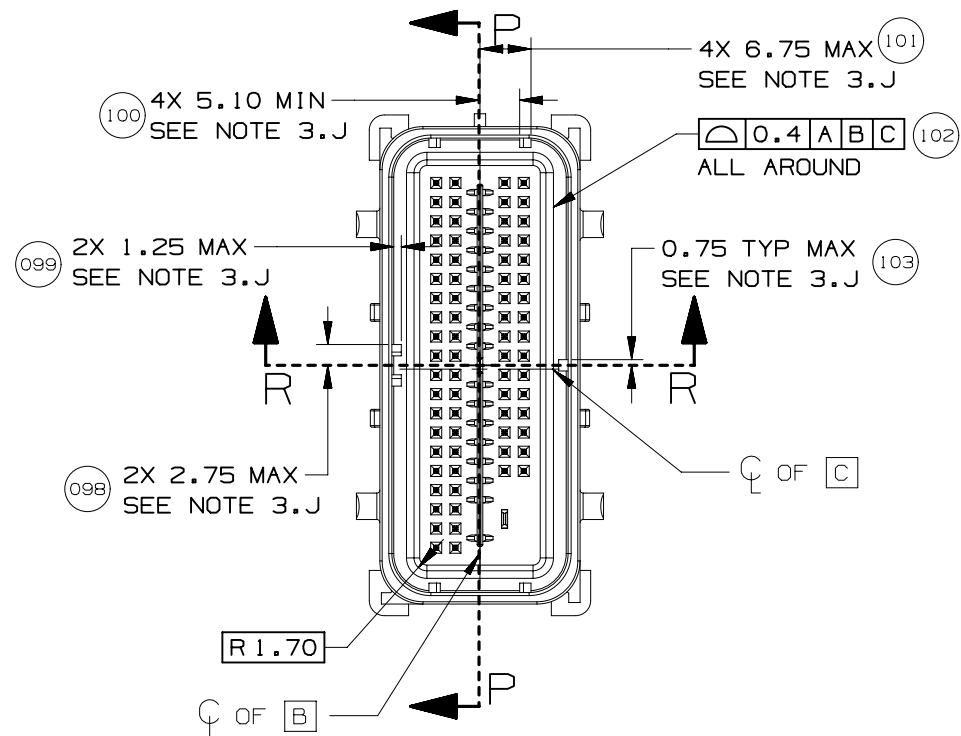


PAGE TITLE
 COMPONENT CONNECTOR INTERFACE

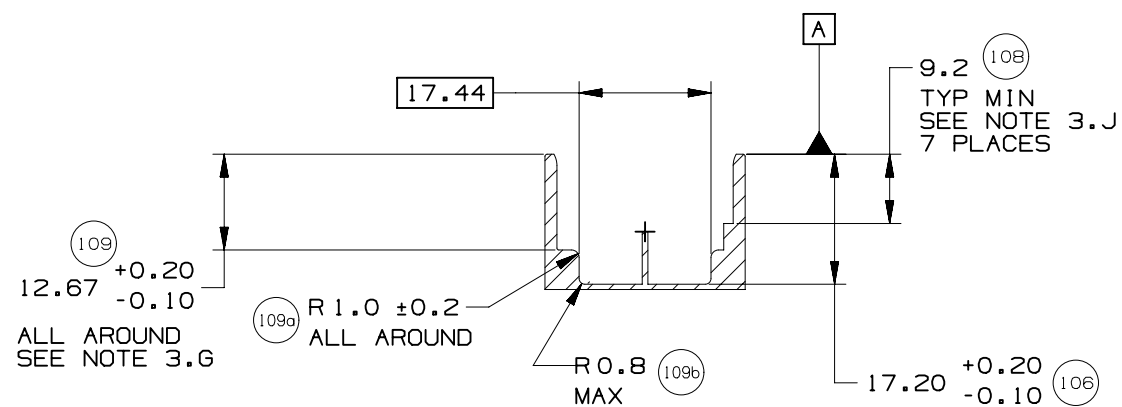
DRAWING NUMBER
 12672833

DWG STATUS			PAGE NUMBER
ST	REV	PD1	
R	001		17 OF 22





SECTION P-P



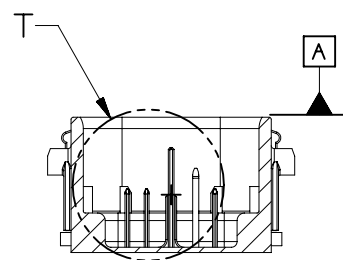
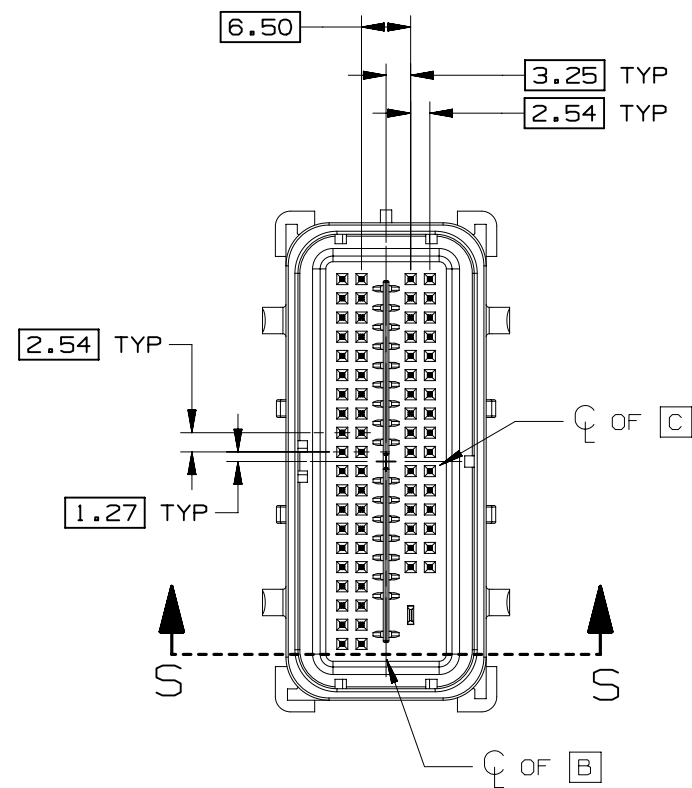
SECTION R-R



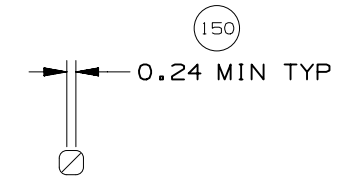
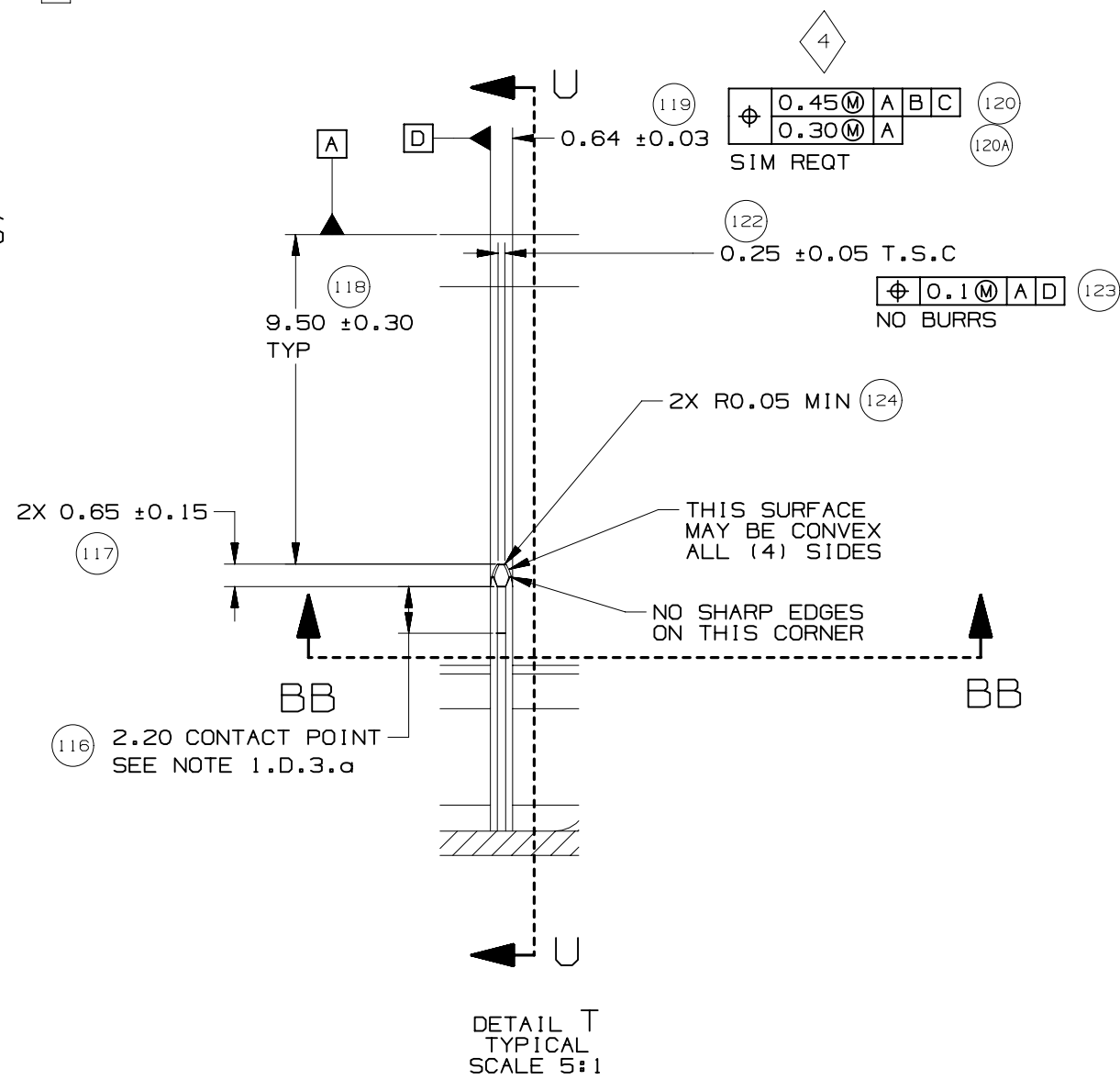
PAGE TITLE
COMPONENT CONNECTOR INTERFACE

DRAWING NUMBER
12672833

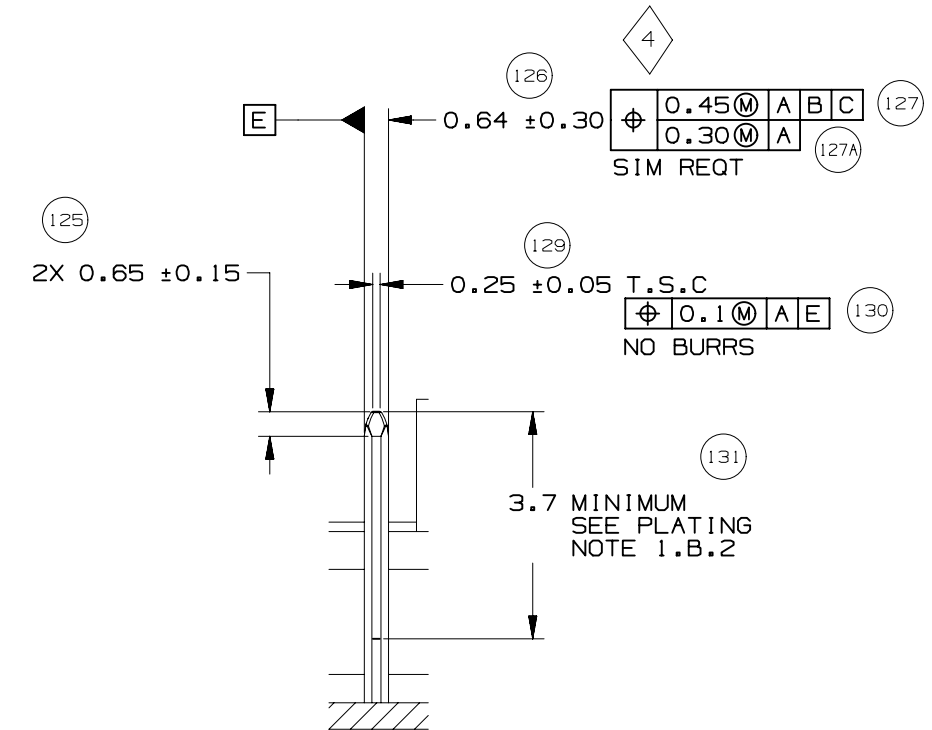
DWG STATUS			PAGE NUMBER	
ST	REV	PD1	19	OF 22
R	001			



SECTION S-S

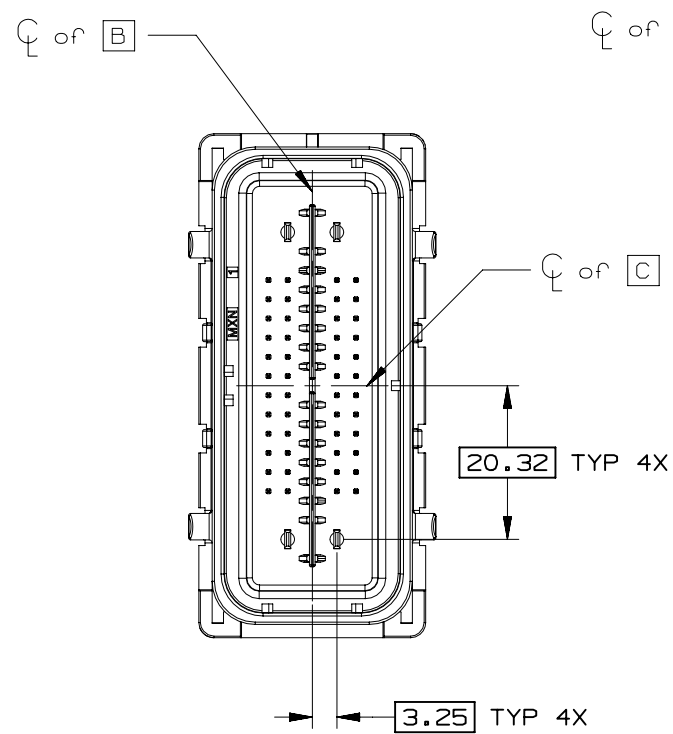


SECTION BB-BB

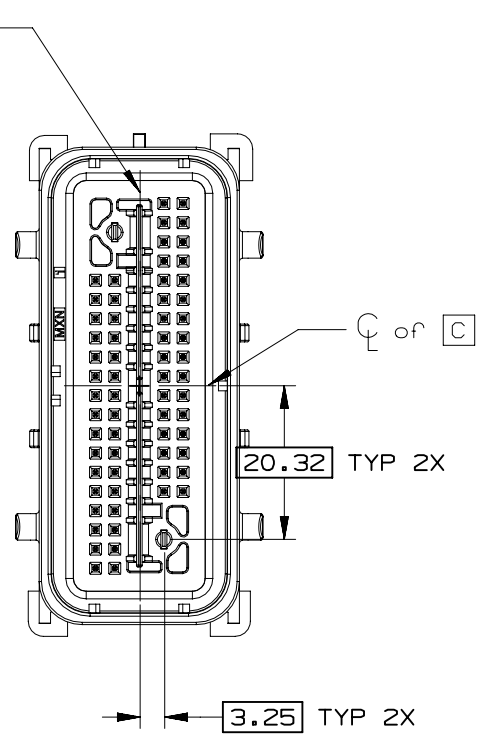


SECTION U-U
TYPICAL

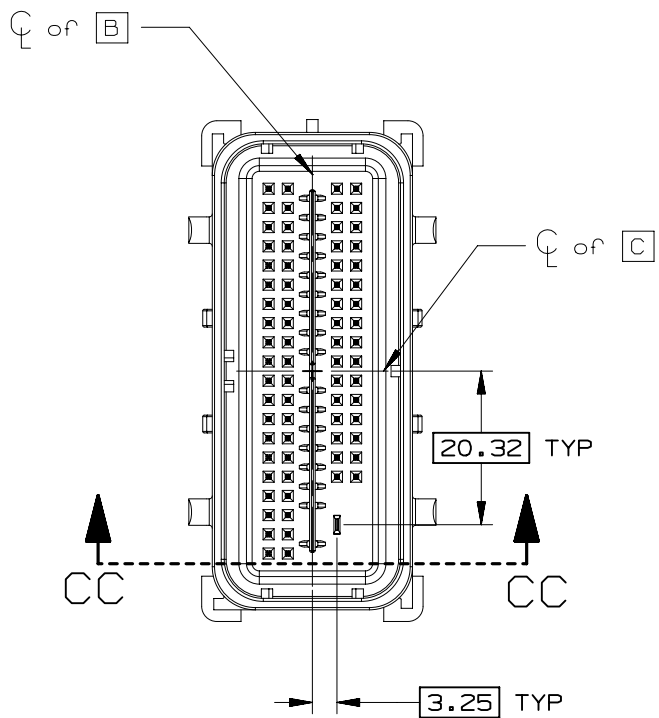




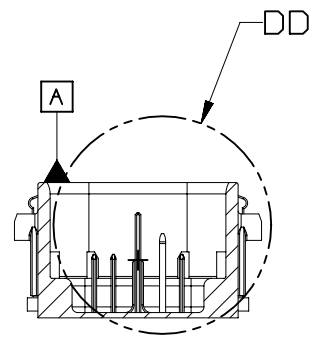
52 CKT COMPONENT
CONNECTOR INTERFACE



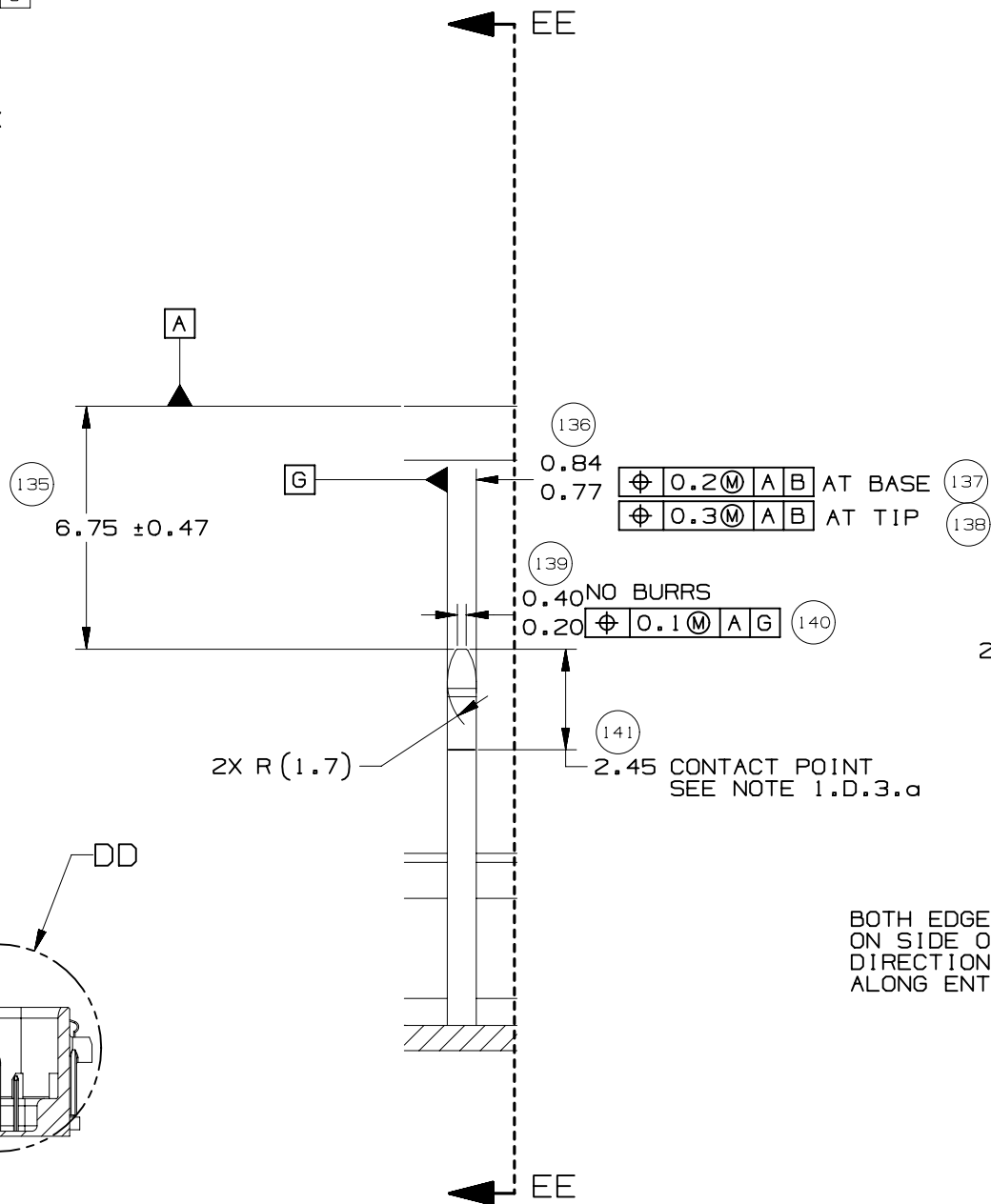
66 CKT COMPONENT
CONNECTOR INTERFACE



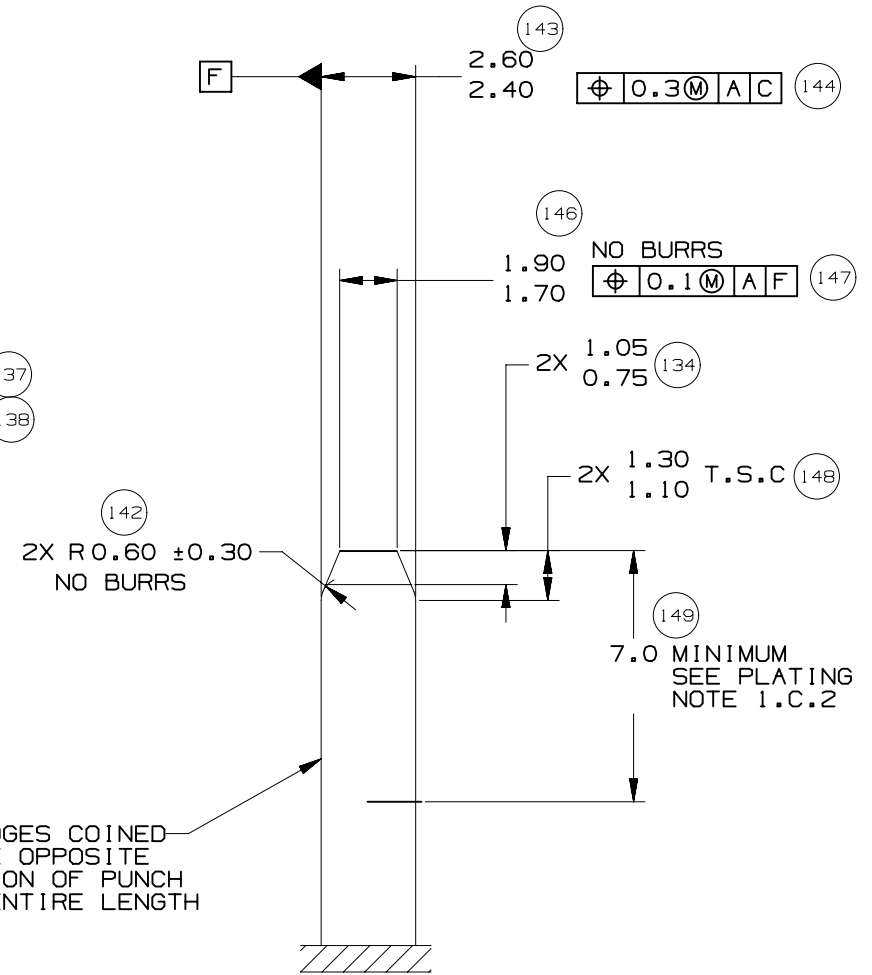
73 CKT COMPONENT
CONNECTOR INTERFACE



SECTION CC-CC



DETAIL DD
TYPICAL
SCALE 5:1



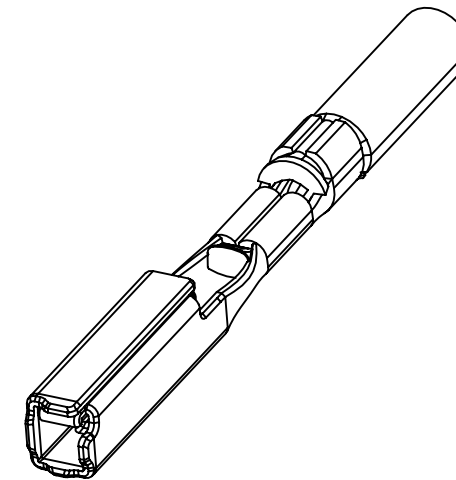
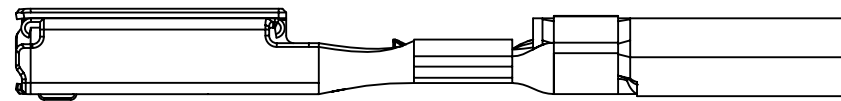
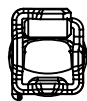
SECTION EE-EE
TYPICAL

BOTH EDGES COINED
ON SIDE OPPOSITE
DIRECTION OF PUNCH
ALONG ENTIRE LENGTH



MOLEX MX64 RECEPTACLE TERMINAL INFORMATION

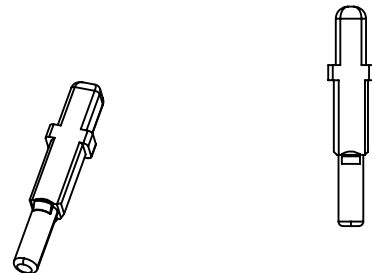
ITEM	MOLEX P/N	GM P/N	WIRE SIZE MM2	TYPE	PLATING	REEL WIND DIRECTION	COMMENTS
1	34736-0025		0.35	ISO	SILVER	LEFT	
2	34736-0026	12672850	0.35	ISO	SILVER	RIGHT	
3	34736-0027		0.5 / 0.75	ISO	SILVER	LEFT	
4	34736-0028	12672851	0.5 / 0.75	ISO	SILVER	RIGHT	



CAVITY PLUGS

ITEM	MFG	MFG P/N	GM P/N RD	SIZE	COLOR	MFG DRAWING	PROD SPEC	APP SPEC	COMMENTS
1	MOLEX	34586-0001	12674820	0.64	NATURAL	SD-34586-001	PS-34566-0000	AS-34566-001	
2	YAZAKI	7158-3114-90	12674821	2.8	BLUE	7158-3114-90	YPES-11-04-062	YPES-15-299	

ITEM 1



ITEM 2



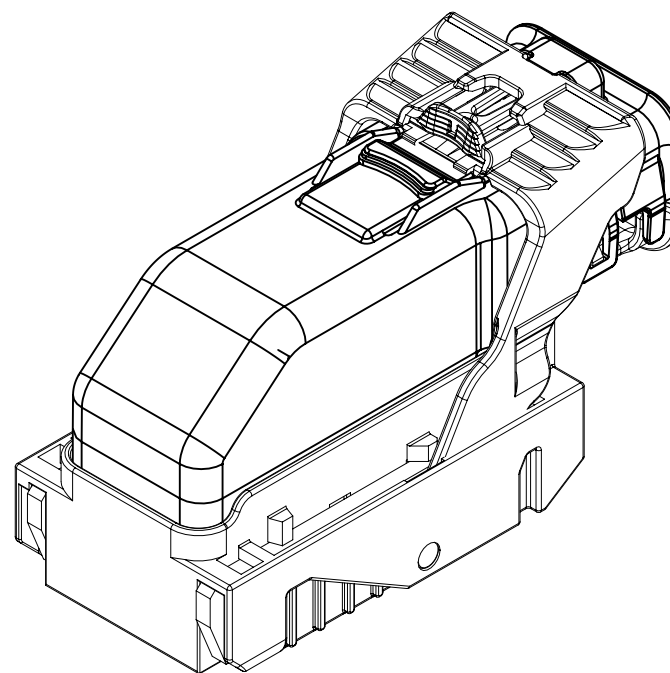
PAGE TITLE
ADDITIONAL COMPONENTS REQUIRED

DRAWING NUMBER
12672833


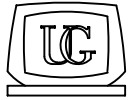
DWG STATUS		
ST	REV	PD1
R	001	

PAGE NUMBER
22 OF 22

INDEX	
PAGE TITLE	PAGE
TITLE BLOCK	1
REVISION BLOCK	2
PART BLOCK	3
KPC BLOCK	4
COMPONENT TABLE	5
NOTES	6
NOTES	7
WIRE DRESS PACKAGING DIMENSIONS	8
LOCATION AND PACKAGING DIMENSIONS REFERENCING INTERFACE DATUMS B & C	9
LOCATION AND PACKAGING DIMENSIONS REFERENCING INTERFACE DATUM A	10
KEY ID REF - WIRE DRESS OPTION 0	11
KEY ID REF - WIRE DRESS OPTION 9	12
CIRCUIT CONFIGURATIONS	13
CIRCUIT CONFIGURATIONS	14
COMPONENT CONNECTOR INTERFACE	15
COMPONENT CONNECTOR INTERFACE	16
COMPONENT CONNECTOR INTERFACE	17
COMPONENT CONNECTOR INTERFACE	18
COMPONENT CONNECTOR INTERFACE	19
COMPONENT CONNECTOR INTERFACE	20
COMPONENT CONNECTOR INTERFACE	21
ADDITIONAL COMPONENTS REQUIRED	22




ISO VIEW

	<p>UNLESS OTHERWISE SPECIFIED: THIS DOCUMENT IS IN ACCORDANCE WITH ASME Y14.5M-1994 AS AMMENDED BY THE GM GLOBAL DIMENSIONING AND TOLERANCING ADDENDUM-1997. ALL GEOMETRIC TOLERANCES AND RELATED DATUMS APPLY RFS. RULE #1 (PERFECT FORM AT MMC) DOES NOT APPLY WHEN A RELATIONSHIP BETWEEN FEATURES IS ESTABLISHED BY ORIENTATION OR LOCATION TOLERANCES. SEPARATE POSITION CALLOUTS MAY BE GAGED SEPARATELY REGARDLESS OF DATUM REFERENCES.</p>			DATE
	 CHANGE RESTRICTED NO MANUAL CHANGES	REFERENCE 12H (MOLEX AUTOMOTIVE)	DRAFTER APVD1	05JN15
DO NOT SCALE		APVD2		
METRIC DIMENSIONS SHOWN IN MILLIMETERS UNLESS OTHERWISE SPECIFIED	DRAWING NAME	APVD3		
	HARNESS CONN ASM-SEALED 52/66/73/80 CKTS, MX123	APVD4		
		APVD5		
	DRAWING NUMBER	DWG STATUS		
	12672833	ST	REV	
		R	001	
		PAGE NUMBER		
		1	OF 22	

PAGE	DWG STATUS					REVISION HISTORY	AUTH	DR	CK	ENG
	DATE	ST	REV	CHG	PDI					
	05JN15	R	001			RELEASED TO PRODUCTION AT DLS A	CRMRJE	DFK		

PAGE	DWG STATUS					REVISION HISTORY	AUTH	DR	CK	ENG
	DATE	ST	REV	CHG	PDI					

	PAGE TITLE	DRAWING NUMBER	DWG STATUS			PAGE NUMBER	
	REVISION BLOCK		12672833	ST	REV	PDI	2 OF 22
				R	001		

KEY PRODUCT CHARACTERISTICS
(IN ACCORDANCE WITH QN 1805 OR ON 1050)



SAFETY/COMPLIANCE

TOTAL ON
DRAWING

4



FIT/FUNCTION

LAST NO.
USED

4

NO	TYPE	DESCRIPTION	RATIONALE	PAGE/ZONE
1	F/F	32.68	IMPROVE CONNECTOR SYSTEM MATING	16
2	F/F	29.00	INSURE PROPER RELEASE OF LEVER	16
3	F/F	15.25	INSURE FINAL MATE POSITION	17
4	F/F	POSITIONAL TOLERANCE (2 PLACES)	INSURE CONNECTOR SYSTEM MATEABILITY	20



PAGE TITLE
KPC BLOCK

DRAWING NUMBER

12672833

DWG STATUS

ST	REV	PDI
----	-----	-----

R	001	
---	-----	--

PAGE NUMBER

4 OF 22

LINE	MFG.	MFG. P/N	GM P/N	EFFECTIVE DATE	APPLICABLE COMPONENTS	KEY OPTION	WIRE DRESS OPTION	KEY CONFIG.	COLOR	STATUS
					DESCRIPTION					
-										
1	MOLEX	34565-0003	12582676	02JN03	MX123 DRESS COVER 52/66/73/80 CKT	N/A	N/A	N/A	BLACK	AVAILABLE
2	MOLEX	160094-0001	12672852	01SP13	MX123 HRNS CONN ASSY 52 CKT	A	0	1458	BLACK	AVAILABLE
3	MOLEX	160094-0003	12672854	01SP13	MX123 HRNS CONN ASSY 52 CKT	C	0	2467	BLUE	AVAILABLE
4	MOLEX	160094-0013	12672853	01SP13	MX123 HRNS CONN ASSY 52 CKT	A	9	1458	BLACK	AVAILABLE
5	MOLEX	160094-0015	12672855	01SP13	MX123 HRNS CONN ASSY 52 CKT	C	9	2467	BLUE	AVAILABLE
6	MOLEX	34822-0013	12672856	01SP13	MX123 HRNS CONN ASSY 66 CKT	A	0	1458	BLACK	AVAILABLE
7	MOLEX	34822-0033	12672858	01SP13	MX123 HRNS CONN ASSY 66 CKT	C	0	2467	BLUE	AVAILABLE
8	MOLEX	34822-0023	12672857	01SP13	MX123 HRNS CONN ASSY 66 CKT	A	9	1458	BLACK	AVAILABLE
9	MOLEX	34822-0043	12672859	01SP13	MX123 HRNS CONN ASSY 66 CKT	C	9	2467	BLUE	AVAILABLE
10	MOLEX	34566-0103	12672860	11JN04	MX123 HRNS CONN ASSY 73 CKT	A	0	1458	BLACK	AVAILABLE
11	MOLEX	34566-0203	12672862	11JN04	MX123 HRNS CONN ASSY 73 CKT	B	0	1468	ST GRAY	AVAILABLE
12	MOLEX	34566-0303	12672864	09AP08	MX123 HRNS CONN ASSY 73 CKT	C	0	2467	BLUE	AVAILABLE
13	MOLEX	34566-0603	12672866	05DC14	MX123 HRNS CONN ASSY 73 CKT	F	0	1357	NATURAL	AVAILABLE
14	MOLEX	34566-1303	12672861	11JN04	MX123 HRNS CONN ASSY 73 CKT	A	9	1458	BLACK	AVAILABLE
15	MOLEX	34566-1403	12672863	11JN04	MX123 HRNS CONN ASSY 73 CKT	B	9	1468	ST GRAY	AVAILABLE
16	MOLEX	34566-1503	12672865	09AP08	MX123 HRNS CONN ASSY 73 CKT	C	9	2467	BLUE	AVAILABLE
17	MOLEX	34566-1803	12672867	05DC14	MX123 HRNS CONN ASSY 73 CKT	F	9	1357	NATURAL	AVAILABLE
18	MOLEX	34566-0703	12672872	09AP08	MX123 HRNS CONN ASSY 80 CKT	G	0	1358	BLUE	AVAILABLE
19	MOLEX	34566-0803	12672870	11JN04	MX123 HRNS CONN ASSY 80 CKT	H	0	2458	ST GRAY	AVAILABLE
20	MOLEX	34566-0903	12672868	T.B.D	MX123 HRNS CONN ASSY 80 CKT	J	0	2457	BLACK	NOT ACTIVE
21	MOLEX	34566-1903	12672873	09AP08	MX123 HRNS CONN ASSY 80 CKT	G	9	1358	BLUE	AVAILABLE
22	MOLEX	34566-2003	12672871	11JN04	MX123 HRNS CONN ASSY 80 CKT	H	9	2458	ST GRAY	AVAILABLE
23	MOLEX	34566-2103	12672869	T.B.D	MX123 HRNS CONN ASSY 80 CKT	J	9	2457	BLACK	NOT ACTIVE
24	MOLEX	34736-0028	12672851	01AU10	MX64 RCPT TERM Ag 0.5mm/0.75mm ISO GAGE B (RIGHT PAYOFF)	N/A	N/A	N/A	N/A	AVAILABLE
25	MOLEX	34736-0026	12672850	01AU10	MX64 RCPT TERM Ag 0.35mm ISO GAGE B (RIGHT PAYOFF)	N/A	N/A	N/A	N/A	AVAILABLE
26	MOLEX	34586-0001	12674820	11JN04	MX123 0.64mm GROMMET PLUG	N/A	N/A	N/A	NATURAL	AVAILABLE
27	YAZAKI	7116-4150-02	12588066	02JN03	2.8mm YESC SEALED FEMALE TERMINAL TIN 0.35mm2-0.50mm2	N/A	N/A	N/A	N/A	NOT ACTIVE
28	YAZAKI	7116-4151-02	12588067	02JN03	2.8mm YESC SEALED FEMALE TERMINAL TIN 0.75mm2-1.0mm2	N/A	N/A	N/A	N/A	NOT ACTIVE
29	YAZAKI	7116-4152-02	12582685	02JN03	2.8mm YESC SEALED FEMALE TERMINAL TIN 1.5mm2-2.5mm2	N/A	N/A	N/A	N/A	AVAILABLE
30	YAZAKI	7158-3111-60	12588068	02JN03	2.8mm CABLE SEAL (wire O.D. range 1.2mm-1.9mm)	N/A	N/A	N/A	GREEN	NOT ACTIVE
31	YAZAKI	7158-3112-70	12588069	02JN03	2.8mm CABLE SEAL (wire O.D. range 1.8mm-2.3mm)	N/A	N/A	N/A	YELLOW	NOT ACTIVE
32	YAZAKI	7158-3113-40	12582686	02JN03	2.8mm CABLE SEAL (wire O.D. range 2.1mm-3.0mm)	N/A	N/A	N/A	WHITE	AVAILABLE
33	YAZAKI	7158-3114-90	12674821	02JN03	2.8mm YESC CAVITY PLUG	N/A	N/A	N/A	BLUE	AVAILABLE
34	MOLEX	63825-8400	N/A	02JN03	MX64 TERM HAND CRIMP TOOL	N/A	N/A	N/A	N/A	AVAILABLE
35	MOLEX	63813-1400	XX019826	02JN03	MX64 TERM SERVICE TOOL	N/A	N/A	N/A	N/A	AVAILABLE
36	MOLEX	63902-5300	N/A	02JN03	MX64 CRIMP APPLICATOR with TOOL KIT 0.5/0.75mm2 PAYOFF DIRECTION D (left payoff) (contact Molex for payoff detail)	N/A	N/A	N/A	N/A	AVAILABLE
37	MOLEX	63902-5370	N/A	02JN03	MX64 APPLICATOR TOOL KIT 0.5/0.75mm2	N/A	N/A	N/A	N/A	AVAILABLE
38	MOLEX	63902-5100	N/A	02JN03	MX64 CRIMP APPLICATOR with TOOL KIT 0.35mm2 PAYOFF DIRECTION D (left payoff) (contact Molex for payoff detail)	N/A	N/A	N/A	N/A	AVAILABLE
39	MOLEX	63902-5170	N/A	02JN03	MX64 APPLICATOR TOOL KIT 0.35mm2	N/A	N/A	N/A	N/A	AVAILABLE
40	SPX	J35616-64	T.B.D.	02JN03	0.64mm PROBE TOOL (for rcpt)	N/A	N/A	N/A	N/A	AVAILABLE
41	SPX	J35616-64A	T.B.D.	02JN03	0.64mm PROBE TOOL WITH EXT (for rcpt)	N/A	N/A	N/A	N/A	AVAILABLE
42	SPX	J35616-65	T.B.D.	02JN03	0.64mm PROBE TOOL WITH EXT (for pin)	N/A	N/A	N/A	N/A	AVAILABLE
43	SPX	J35616-4A	T.B.D.	02JN03	2.8mm PROBE TOOL (for rcpt)	N/A	N/A	N/A	N/A	AVAILABLE
44	YAZAKI	X39899-J374	12094430	02JN03	2.8mm TERM SERVICE TOOL	N/A	N/A	N/A	N/A	AVAILABLE
45	TQI	7000-1006	N/A	15JN15	52 CKT PASS THROUGH ADAPTERS	N/A	N/A	N/A	BLACK	AVAILABLE
46	TQI	7000-1002	N/A	15JN15	66 CKT PASS THROUGH ADAPTERS	N/A	N/A	N/A	BLACK	AVAILABLE
47	TQI	79917-0061	N/A	15JN15	73 CKT PASS THROUGH ADAPTERS	N/A	N/A	N/A	BLACK	AVAILABLE
48	TQI	79917-0066	N/A	15JN15	80 CKT PASS THROUGH ADAPTERS	N/A	N/A	N/A	BLACK	AVAILABLE

* - MX123 DRESS COVER 52/66/73/80 CKT MATES TO ANY MX123 HARN CONN ASSY SHOWN ON TABLE ABOVE



PAGE TITLE
COMPONENT TABLE

DRAWING NUMBER

12672833

DWG STATUS

ST	REV	PD1
R	001	

PAGE NUMBER

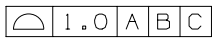
5 OF 22

NOTES: UNLESS OTHERWISE SPECIFIED

1. MATERIAL FOR INTERFACE:


- A. RESIN:
 - 1. 30% G.F. PBT; 20% MAX. (BY WEIGHT) REGRIND.
 - 2. MATING CONNECTOR INTERFACE PART COLOR MUST BE SAME AS MATCHING KEYED HARNESS CONNECTOR ASSEMBLY.
 - 3. MUST BE VALIDATED FOR INDIVIDUAL DEVICE APPLICATION REQUIREMENTS.
- B. 0.64MM PINS:
 - 1. BASE MATERIAL: COPPER ALLOY; CONDUCTIVITY >= 28% IACS AT 20°C; TENSILE STRENGTH >= 635 N/mm²; SURFACE ROUGHNESS R_a 6 MAX.
 - 2. PLATING FINISH: SILVER (Ag). PLATING TO BE 1.9-3.3 μm ELECTRODEPOSITED SEMI-BRIGHT SILVER OVER 1.25-2.25 μm DUCTILE SULPHAMATE NICKEL PER NOTE 1(D).
 - 3. ANTI-TARNISH: SYNTHETIC HYDROCARBON CONTACT SURFACE FINISH OR EQUIVALENT APPLIED WITHOUT VOID TO CONTACT AREA (MIN 3.7mm FROM PIN TIP).
- C. 2.8MM BLADE:
 - 1. BASE MATERIAL: COPPER ALLOY; CONDUCTIVITY >= 28% IACS AT 20°C; TENSILE STRENGTH >= 350 N/mm²; SURFACE ROUGHNESS R_a 6 MAX.
 - 2. PLATING FINISH: TIN. PLATING TO BE 2.5-5.0 μm ELECTRODEPOSITED TIN, MATTE FINISH OVER 1.25-2.5 μm DUCTILE SULPHAMATE NICKEL PER NOTE 1(D).
- D. PLATING REQUIREMENTS:
 - 1. SILVER PLATING
 - a. 99.5% PURE SEMI-BRIGHT WITH NO ORGANIC BRIGHTNERS OR CHROMATES.
 - 2. NICKEL PLATING
 - a. ELECTRODEPOSITED DUCTILE SULFAMATE NICKEL WITH A NON-BRIGHTENED FINISH. NO ORGANIC OR BRIGHTENING AGENTS SHALL BE ALLOWED.
 - b. SHALL ONLY BE USED AS AN UNDERLYING PLATING AND MAY NOT BE USED AS AN ELECTRICAL CONTACT SURFACE PLATING.
 - c. SHALL BE NODULE FREE WHEN VIEWED AT 10X MAGNIFICATION IN MEASURED IN CONTACT SURFACE AREA PLUS 0.5MM PERIMETER AROUND THE CONTACT SURFACE AREA.
 - d. ALL PLATINGS SHALL HAVE A 1.0% MAXIMUM BY WEIGHT IMPURITIES. IMPURITIES ARE DEFINED AS ALL ELEMENTS NOT THE PRIMARY PLATING OR HARDENING AGENT IF APPLICABLE, AS DETERMINED BY WET CHEMICAL ANALYSIS OR AUGER METHOD. NO SINGLE IMPURITY SHALL EXCEED 0.1% MAXIMUM BY WEIGHT.
 - 3. TESTING
 - a. THICKNESS TO BE MEASURED IN CONTACT SURFACE AREA PLUS 0.5MM PERIMETER AROUND THE CONTACT SURFACE AREA AS DESIGNATED IN THE DRAWING. THICKNESS SHALL BE DETERMINED BY METHOD OF X-RAY (XRF).
 - b. PLATING ADHESION SHALL BE TESTED BY A BEND TEST FOR ALL METALS. THE TEST SAMPLE SHALL BE BENT 90 DEGREES TO DETERMINE DEPOSIT ADHESION. TESTING SHALL BE COMPLETED IN ACCORDANCE WITH ASTM SPEC B571.

2. DESIGN - GENERAL:

- A. THIS IS A 100% CAD GENERATED PART. THE CAD MATHEMATICAL DATA IS THE MASTER FOR THIS PART. FOR DIMENSIONAL OR ANY INFORMATION NOT SHOWN ON THIS DRAWING, ANALYZE THE CAD MODEL.
- B. TOLERANCES:
 - 1. LINEAR
 - 0.X ± 0.30
 - 0.XX ± 0.10
 - 0.XXX ± 0.10
 - 2. ANGULAR X° ± 3°
 - 3. 
- C. MINIMUM WALL THICKNESS REQUIRED: 1.3mm.
- D. CORNERS SHOWN AS SHARP TO BE R 0.2 MAX.
- E. LETTERING SHALL BE 0.15 MAX RAISED IN 0.20 MAX RECESS PAD. THIS INCLUDES MATERIAL CODE, RECYCLING CODE, CAVITY ID AND DATE CODE.
- F-1. PARTS MUST BE FREE OF DISCOLORATION, SALT RESIDUE AND OTHER IMPERFECTIONS THAT AFFECT FIT OR FUNCTION.
- F-2. SCRATCHES OR DENTS NOT TO EXCEED 0.013mm IN DEPTH.
- G. FOLLOWING PRODUCTION CODES TO BE PERMANENTLY MARKED & HUMAN READABLE TO A LETTER HEIGHT OF 1.5 ± 0.5MM X 0.3 MAX DEEP
 - 1. MATERIAL #: XXXXX-XXXX
 - 2. DATE CODE: JJJY (JULIAN DAY, LAST DIGIT OF YEAR)
 - 3. INSPECTION MACHINE CODE + SERIAL #: X_XXXXX

3. DESIGN - MANUFACTURING:

- A. DRAFT TO BE WITHIN TOLERANCE.
- B. ALLOWABLE FLASH MAX 0.2 HIGH X MAX 0.13 THICK.
- C. ALLOWABLE PARTING LINE MISMATCH 0.2 MAX.
- D. EJECTOR PINS MARK TO BE FLUSH TO 0.25 MAX DEPRESSED.
- E. ALLOWABLE GATE VESTIGE FLUSH TO 0.25 MAX PROTRUSION.
- F. NO EXTERNAL MOLD RELEASE AGENT ALLOWED DURING MANUFACTURING.
- G. STEEL THAT FORMS THE INDICATED SURFACE MUST BE POLISHED WITH A DIAMOND FINISH (SPI A-2) OVER THE FULL PERIPHERY OF THE TOOL. SURFACE MUST HAVE NO MISMATCH.
- H. ANY PROCESS LUBRICANT REMAINING ON THE TERMINAL MUST NOT VARNISH OR DEGRADE IT'S ELECTRICAL PERFORMANCE UP TO A MAXIMUM CLASS AMBIENT TEMPERATURE PER SAE USCAR-2 FOR 1008 HOURS. PROCESS LUBRICANTS SHOULD BE APPROVED BY THE RESPONSIBLE ENGINEER.
- J. OPTIONAL FEATURES PROVIDED FOR AUTOMATION.
- K. PART MUST BE FREE FROM BURRS AND SHARP EDGES, WHICH MIGHT BE DETRIMENTAL TO SATISFACTORY ASSEMBLY, SAFE HANDLING OR FUNCTION OF PART.
- L. PARTS AS DELIVERED TO ASSEMBLY SHALL BE CLEAN AND FREE OF DEBRIS, RESIDUAL ABRASIVE MATERIAL AND CORROSION PRODUCTS ADVERESLY AFFECTING FUNCTION OR APPEARENCE.
- M. RESTRICTED AND REPORTABLE SUBSTANCES FOR PARTS PER GMW3059.

	PAGE TITLE	DRAWING NUMBER 12672833	DWG STATUS			PAGE NUMBER 6 OF 22
	NOTES		ST	REV	PDI	
			R	001		

NOTES: UNLESS OTHERWISE SPECIFIED

4. SYSTEM REQUIREMENTS:

- A. HARNESS CONNECTOR IS COMPATIBLE WITH THE FOLLOWING ISO WIRE SIZE NO'S:
 0.35mm², MEETING GMW15626 - MIN OD OF 1.30MM
 0.50mm², MEETING GMW15626
 0.75mm², MEETING GMW15626 - MAX OD OF 2.06MM

B. CABLE TIE SPECIFICATIONS:

1. CABLE TIE:
 - TENSILE RATING: 220N / (50lbs) MIN
 - TIE LENGTH: 186mm MIN
 - TIE WIDTH: 4.75mm MAX
 - MATERIAL: NYLON
2. INSTALLATION:
 - CABLE TIE TENSION: 190N MIN
3. DRESSED WIRE BUNDLE PACKAGING: SEE FIG. 1

C. WHEN MATED WITH COMPONENT CONNECTOR INTERFACE AND/OR DRESS COVER, HARNESS CONNECTOR SYSTEM CONFORMS TO THE FOLLOWING:

1. SAE/USCAR-2, REV: 3 APRIL, 2001; CLASS 3
2. FIELD CORRELATED LIFE TEST, SAE/USCAR-20, NOV. 2001
3. GMW #3191 AUGUST 22, 2000 (DRAFT); TEMPERATURE CLASS 3, SEALING CLASS 1, VIBRATION CLASS 2
4. RESTRICTED AND REPORTABLE CHEMICALS PER GMW #3059, REV: D AUGUST 2002
5. TPA USER FORCES (FULLY POPULATED WITH TERMINALS)
 - a. REMOVAL FROM LOCK TO PRE-SET: <=120N

D. WIRE SPECIFICATIONS:

1. WIRE SURFACE MUST BE FREE OF SCRATCHES, GROOVES OR DENTS WHERE FUNCTIONAL

5. TERMINAL CURRENT RATINGS:

A. MX64 RCPT TERM

ALL TESTING DONE IN ACCORDANCE WITH USCAR-2 REV5 SECTION 5.3

1. MX64 RCPT TERM Ag 0.50/0.75mm² CRIMPED TO 0.75mm² ISO WIRE AND MATED TO MX123 0.64MM PIN: SEE TABLE BELOW
2. MX64 RCPT TERM Ag 0.35mm² CRIMPED TO 0.35mm² ISO WIRE AND MATED TO MX123 0.64MM PIN: SEE TABLE BELOW

WIRE	CURRENT RATING			
	23°C	85°C	105°C	125°C
0.75mm ²	11.3A	11.3A	9.5A	6.6A
0.50mm ²	10.0A	10.0A	8.3A	5.7A
0.35mm ²	8.5A	8.5A	7.1A	5.0A

B. 2.8MM RCPT TERM

ALL TESTING DONE IN ACCORDANCE WITH MOLEX DVP&R 0279 (TR # 7125)

1. 2.8MM RCPT TERM TIN 2.0mm² CRIMPED TO 2.0mm² ISO WIRE AND MATED TO MX123 2.8MM BLADE: 25.6 AMPS AT 125°C

6. CONTACT MOLEX AUTOMOTIVE FOR AVAILABLE CUSTOM PATTERNS OF CAVITIES OPEN FOR CIRCUITS - SEE GM DRAWING 13507496



PAGE TITLE
NOTES

DRAWING NUMBER

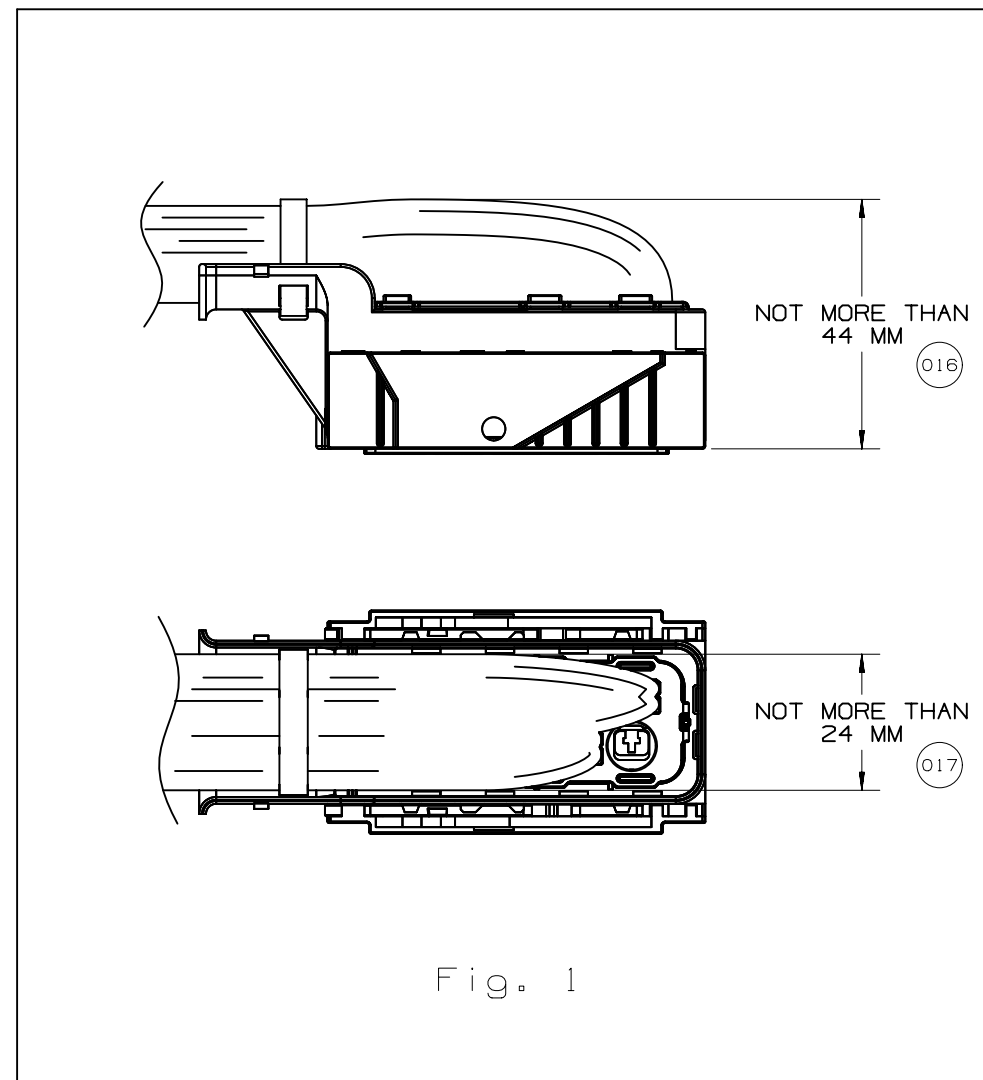
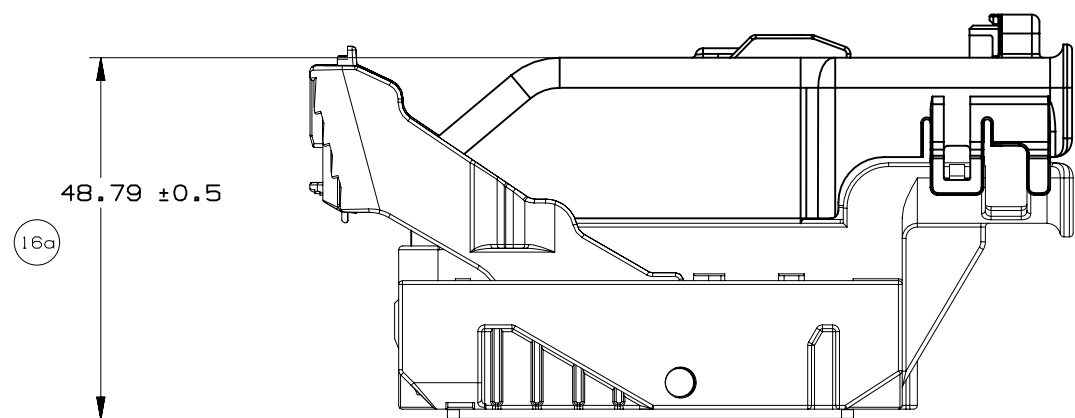
12672833

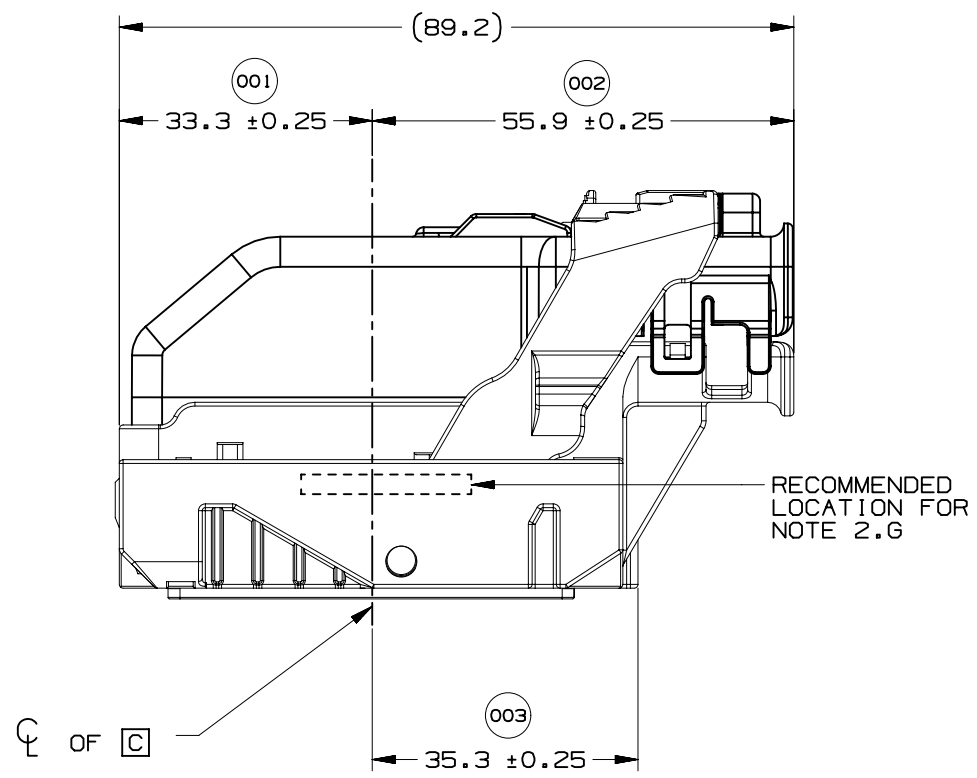
DWG STATUS

ST	REV	PDI
R	001	

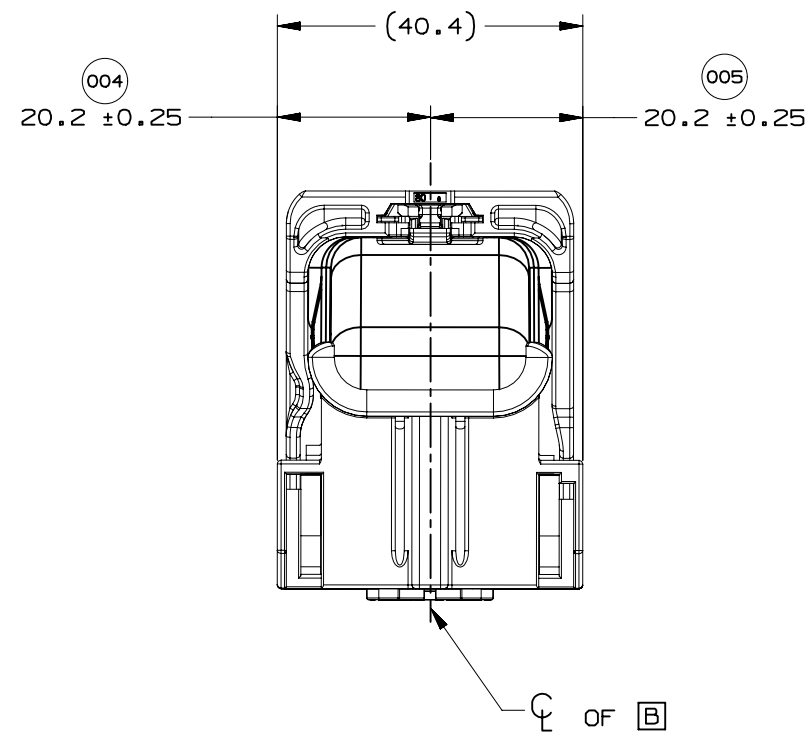
PAGE NUMBER

7 OF 22

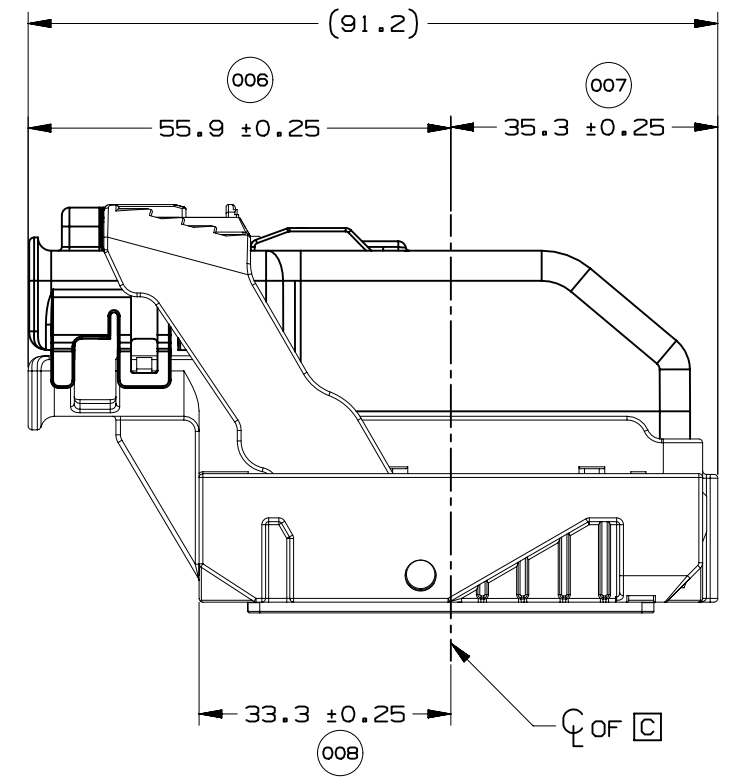




WIRE DRESS OPTION 0 SHOWN

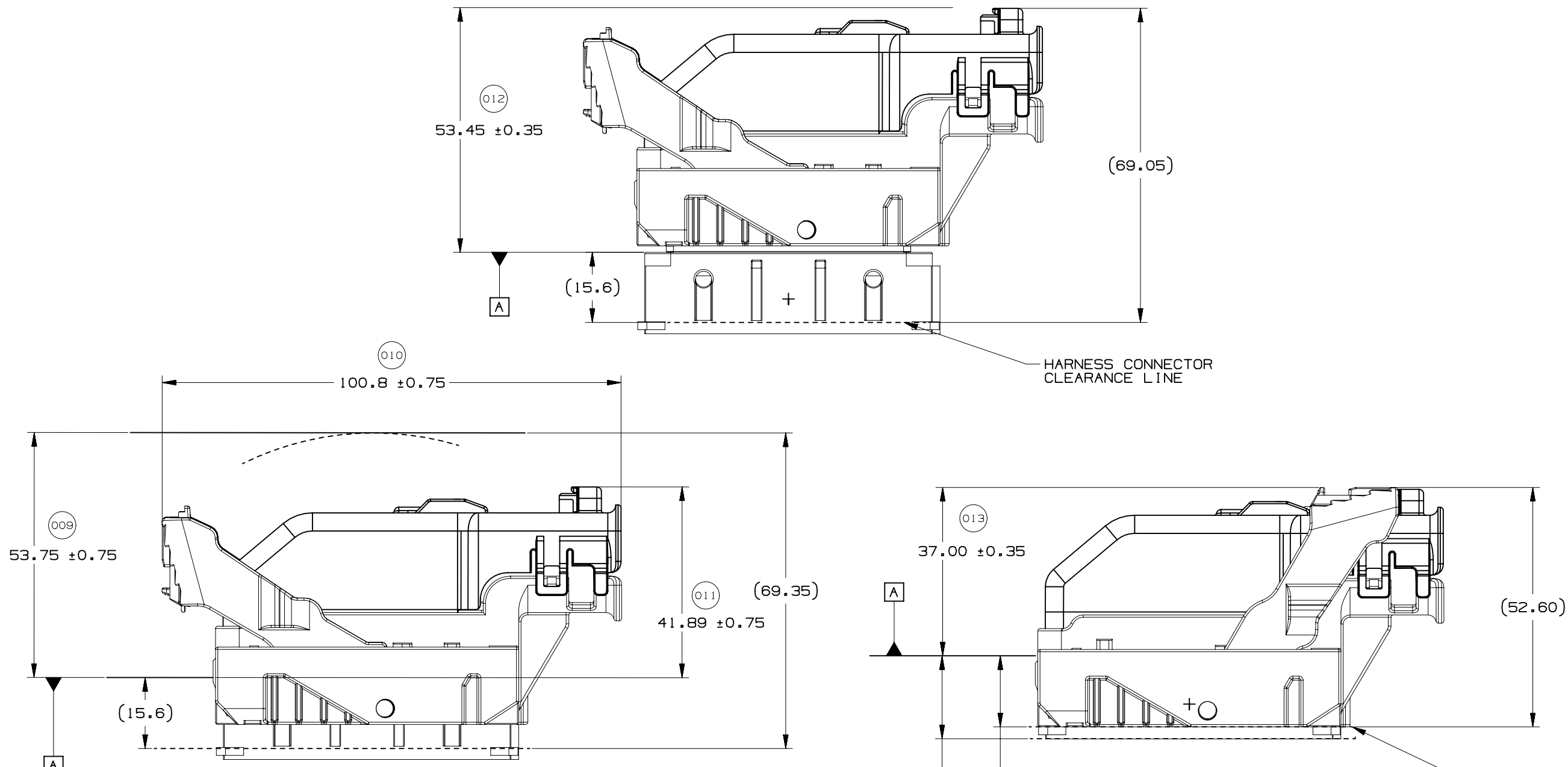


WIRE DRESS OPTION 0 SHOWN



WIRE DRESS OPTION 9 SHOWN





HARNESS CONNECTOR CLEARANCE LINE

HARNESS CONNECTOR ASSEMBLY IN FULLY-MATED POSITION

HARNESS CONNECTOR CLEARANCE LINE

15.6 MIN. ALL AROUND CLEARANCE REQUIRED FOR HARNESS CONNECTOR (014)

17.9 MIN. AT PAD LOCATION CLEARANCE REQUIRED FOR HARNESS CONNECTOR CONSTRUCTION BELOW THIS PLANE IS NOT CONTROLLED (015)

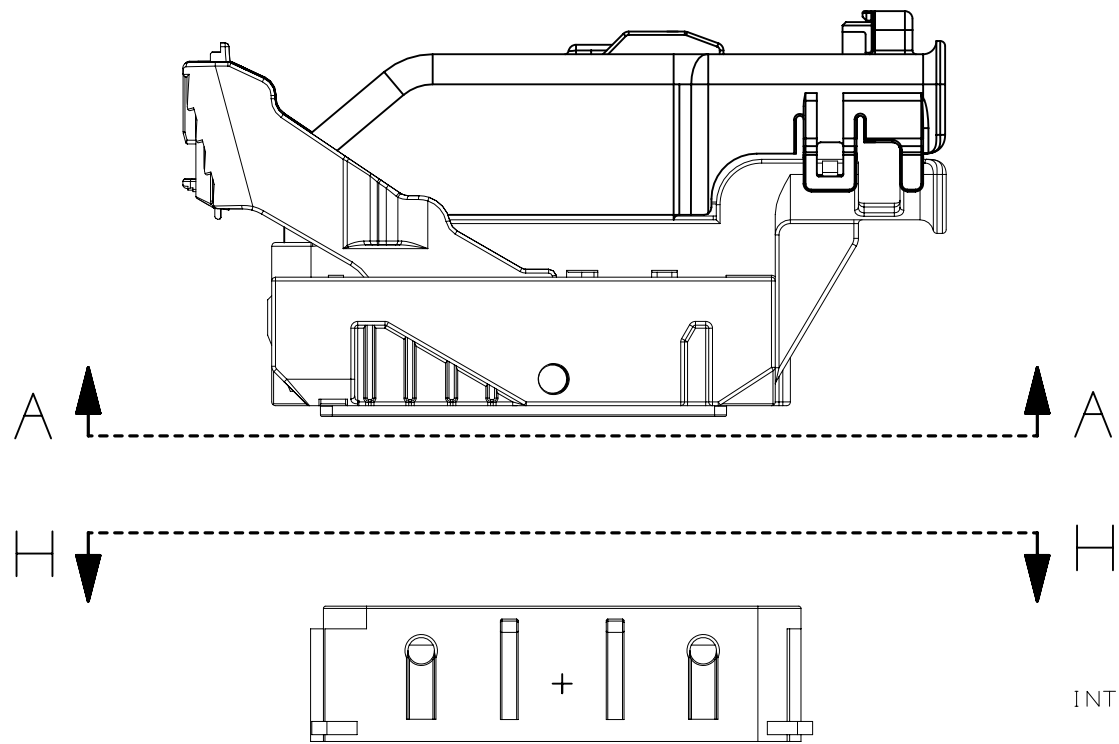


PAGE TITLE
LOCATION AND PACKAGING DIMENSIONS
REFERENCING INTERFACE DATUM A

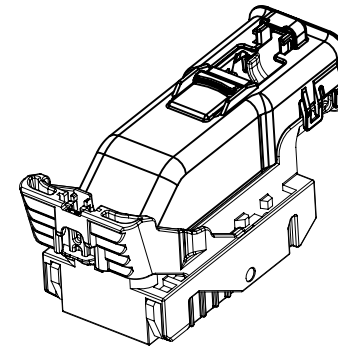
DRAWING NUMBER
12672833

DWG STATUS		
ST	REV	PD1
R	001	

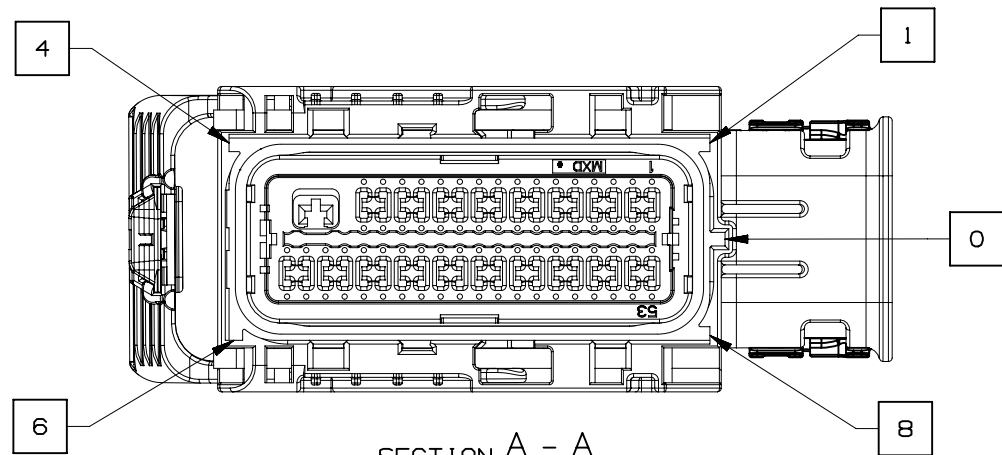
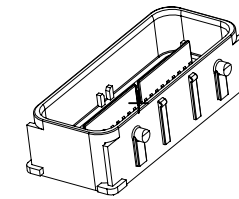
PAGE NUMBER
10 OF 22



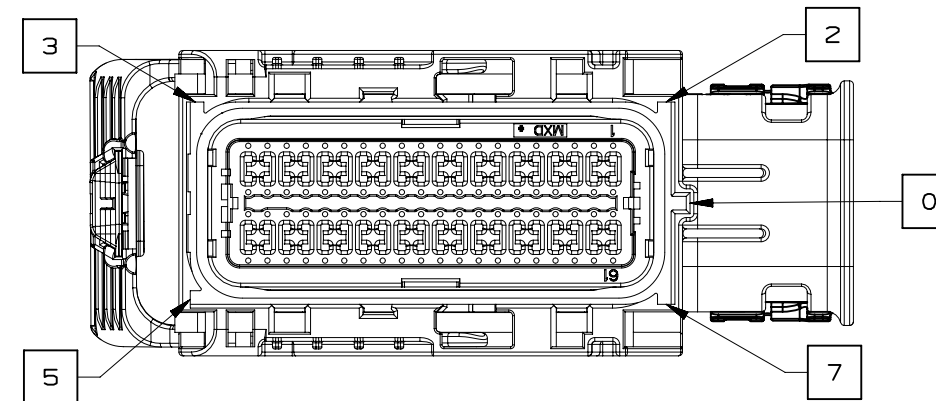
INTERFACE SIDE SHOWN ON ALL SECTION VIEWS



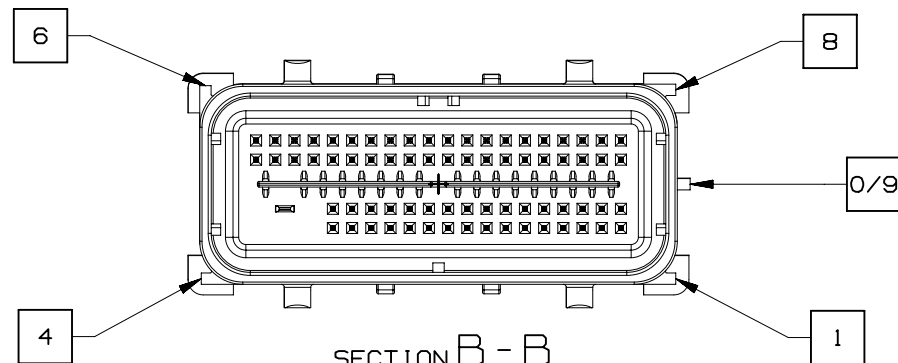
NOTE: REFERENCE THE COMPONENT TABLE FOR KEY OPTIONS AND CONFIGURATIONS



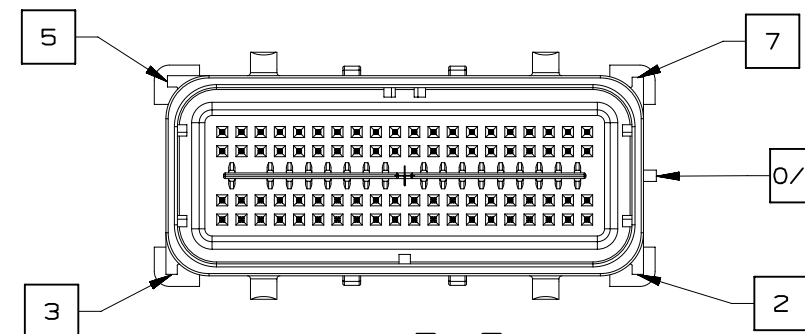
SECTION A - A
73 CKT HARNESS CONNECTOR ASSEMBLY
KEY OPTION B SHOWN



SECTION A - A
80 CKT HARNESS CONNECTOR ASSEMBLY
KEY OPTION K SHOWN



SECTION B - B
73 CKT HARNESS CONNECTOR ASSEMBLY
KEY OPTION B SHOWN



SECTION B - B
80 CKT HARNESS CONNECTOR ASSEMBLY
KEY OPTION K SHOWN

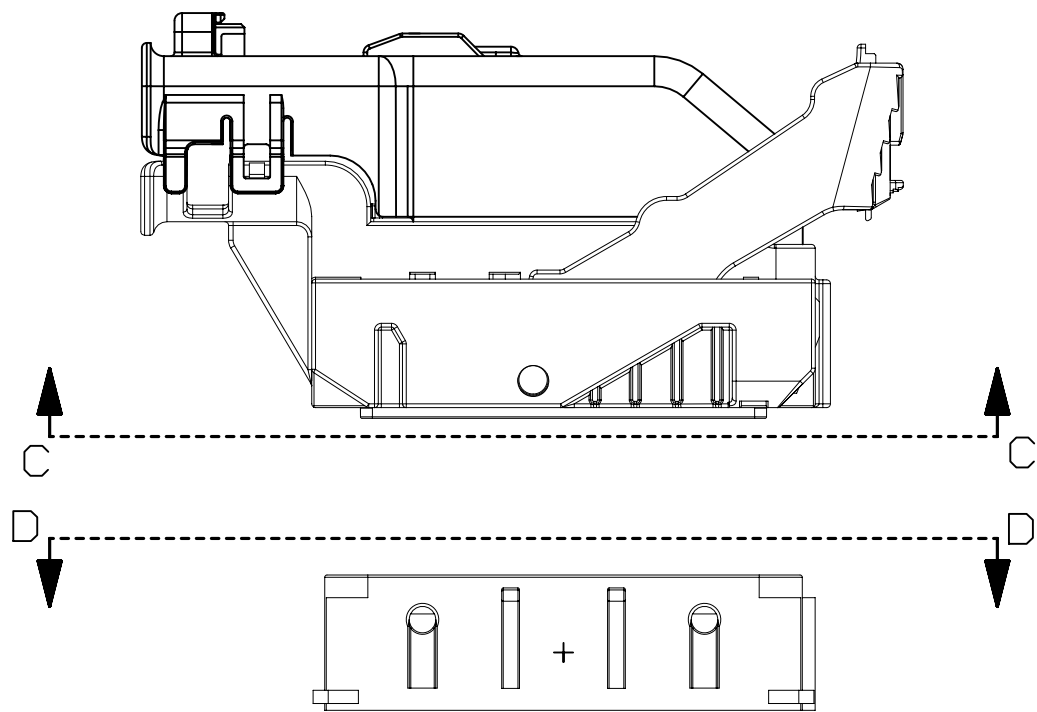


PAGE TITLE
KEY ID REF - WIRE DRESS OPTION 0

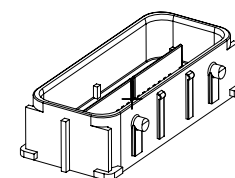
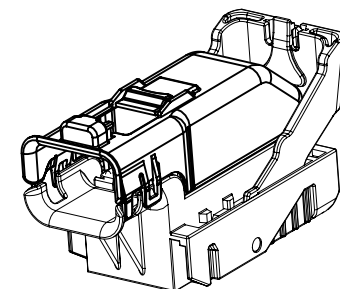
DRAWING NUMBER
12672833

DWG STATUS		
ST	REV	PD1
R	001	

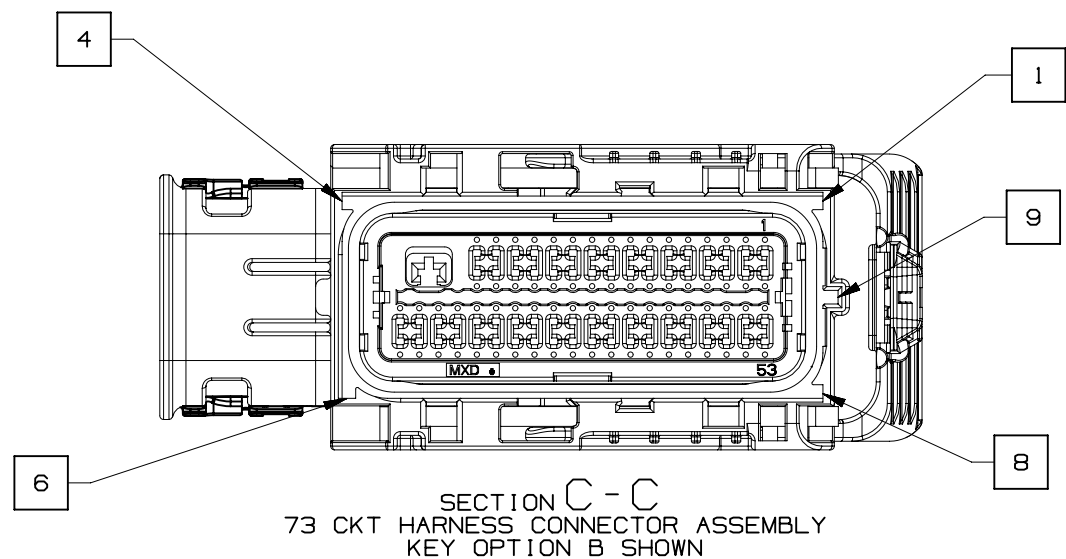
PAGE NUMBER
11 OF 22



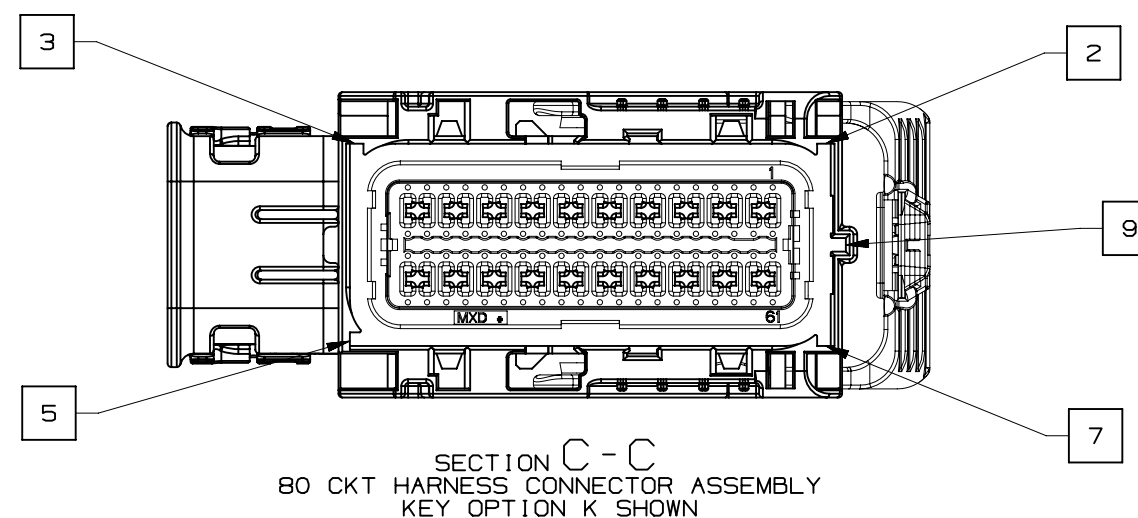
INTERFACE SIDE SHOWN ON ALL SECTION VIEWS



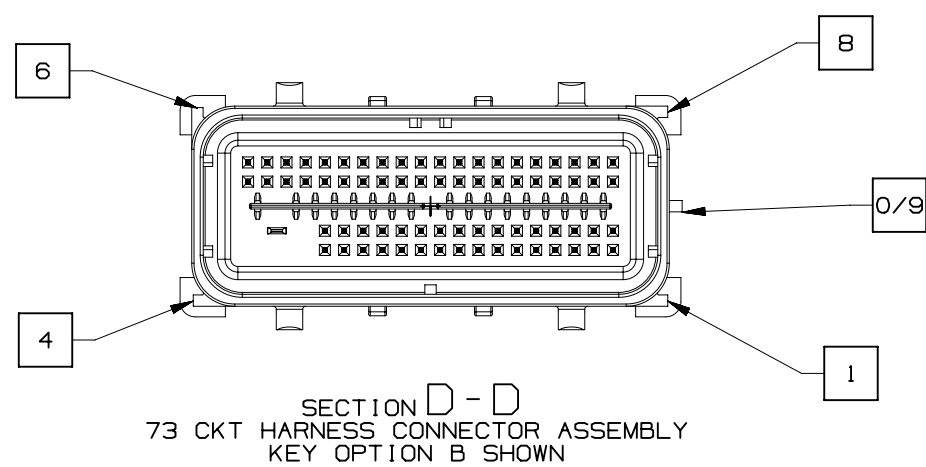
NOTE: REFERENCE THE COMPONENT TABLE FOR KEY OPTIONS AND CONFIGURATIONS



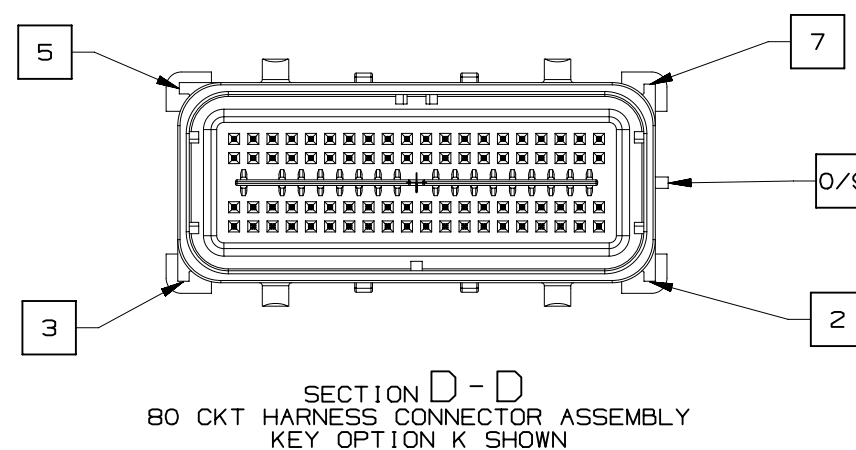
SECTION C - C
73 CKT HARNESS CONNECTOR ASSEMBLY
KEY OPTION B SHOWN



SECTION C - C
80 CKT HARNESS CONNECTOR ASSEMBLY
KEY OPTION K SHOWN



SECTION D - D
73 CKT HARNESS CONNECTOR ASSEMBLY
KEY OPTION B SHOWN



SECTION D - D
80 CKT HARNESS CONNECTOR ASSEMBLY
KEY OPTION K SHOWN

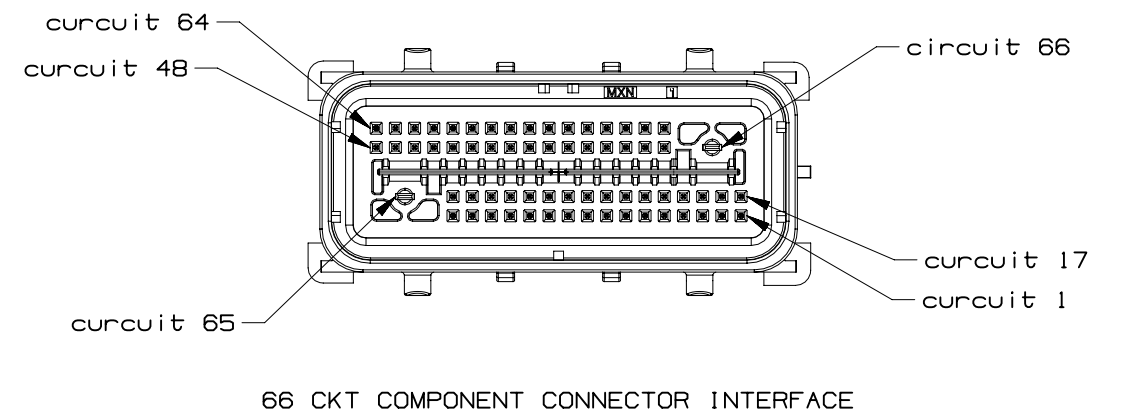
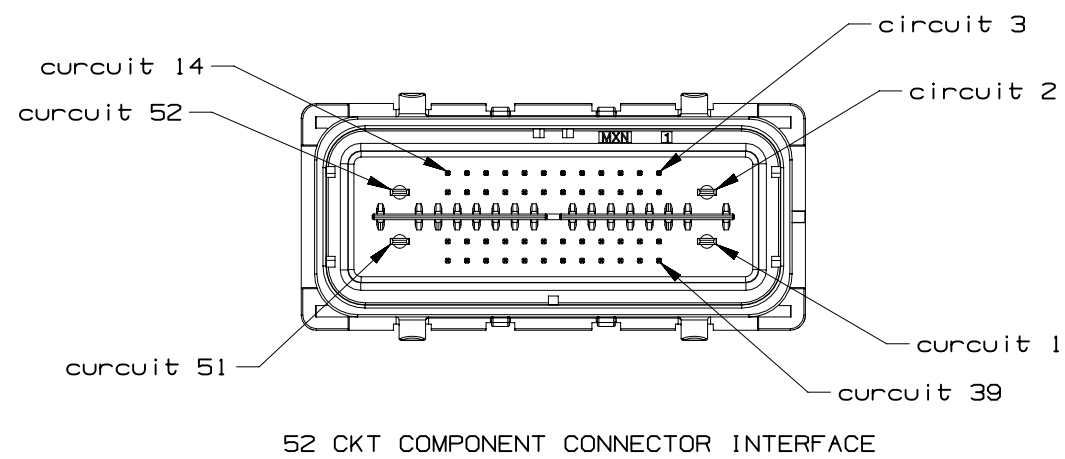
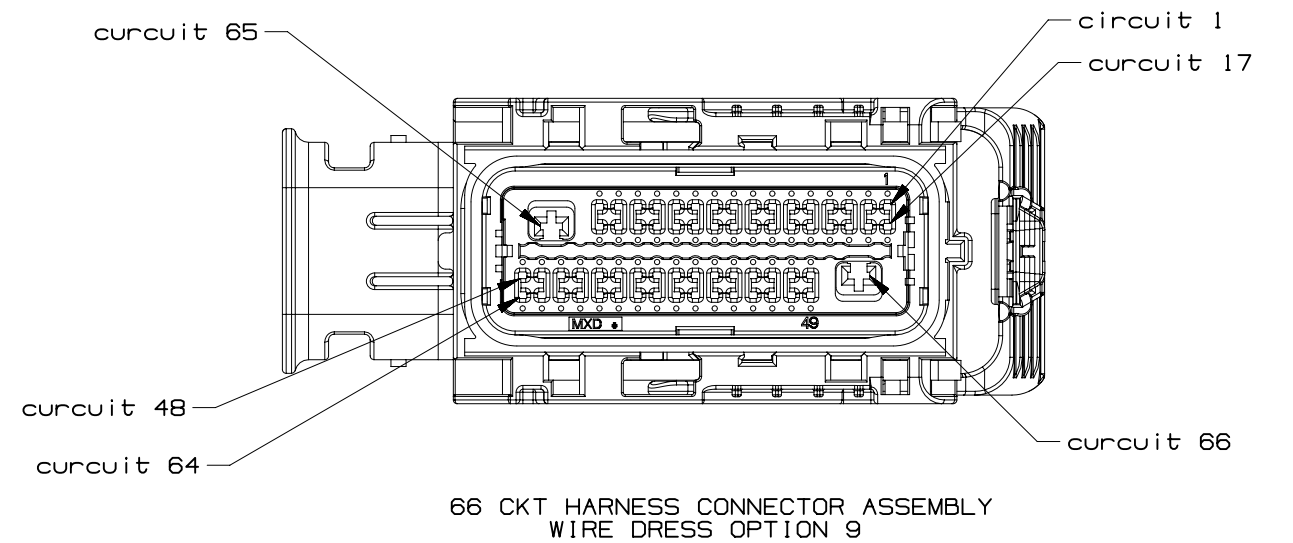
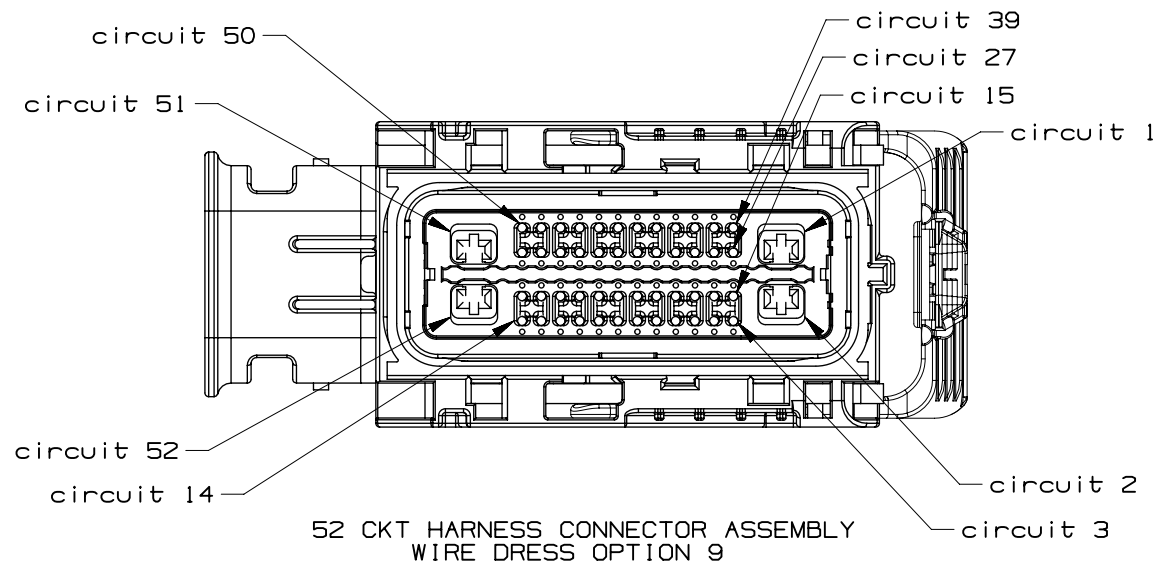
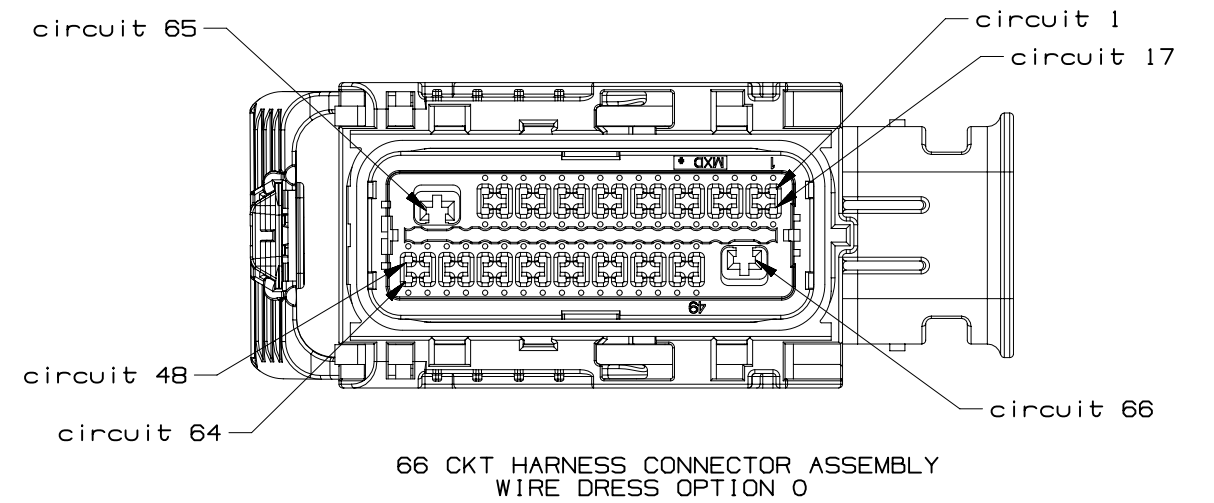
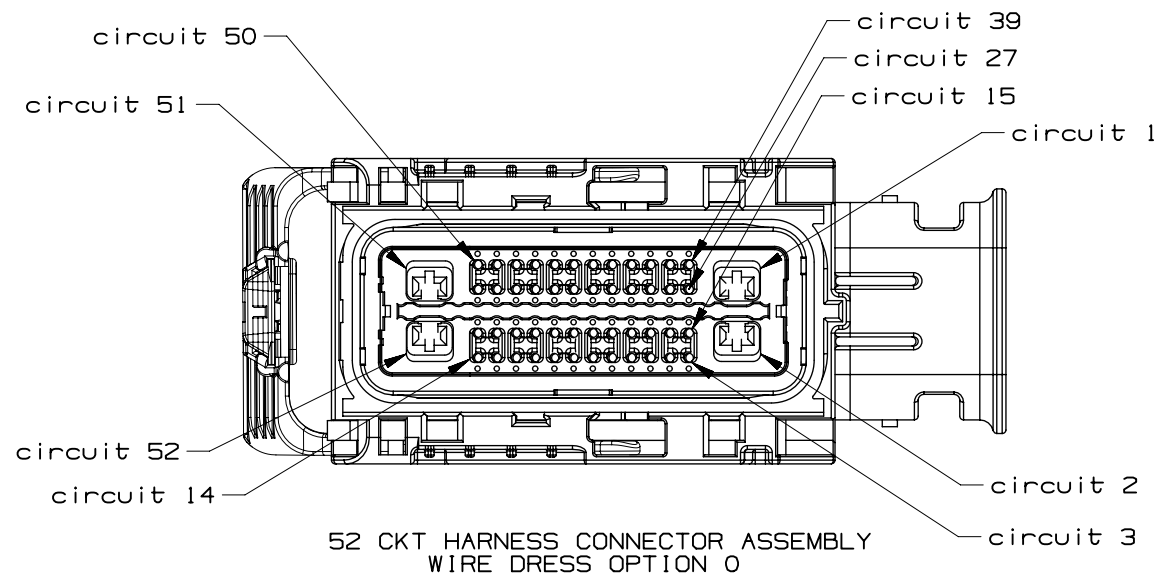


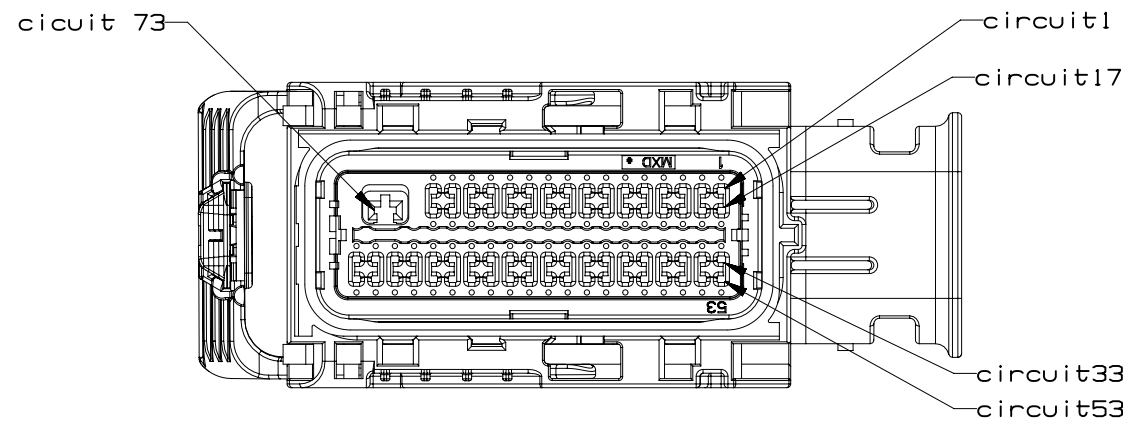
PAGE TITLE
KEY ID REF - WIRE DRESS OPTION 9

DRAWING NUMBER
12672833

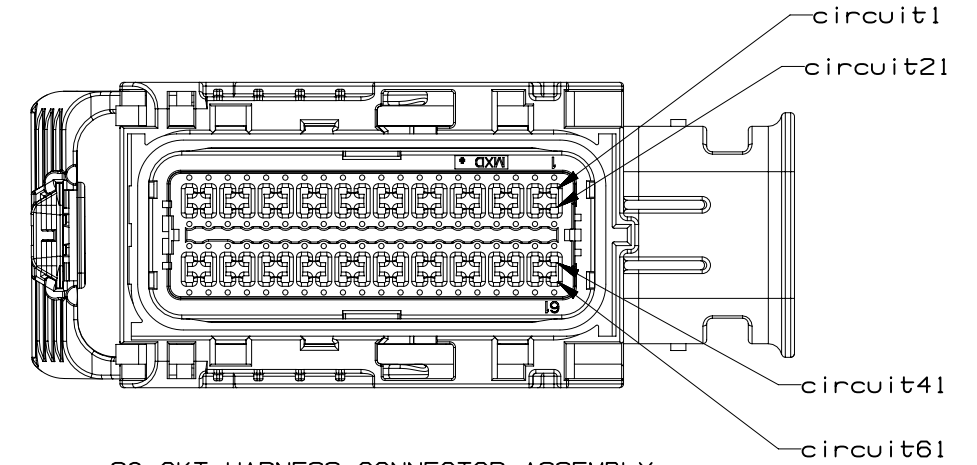
DWG STATUS		
ST	REV	PD1
R	001	

PAGE NUMBER
12 OF 22



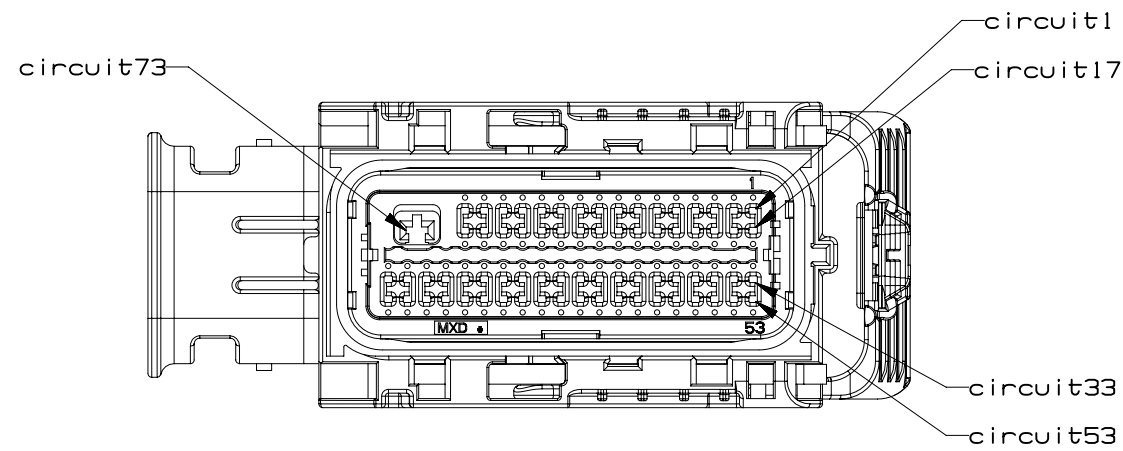


73 CKT HARNESS CONNECTOR ASSEMBLY
WIRE DRESS OPTION 0

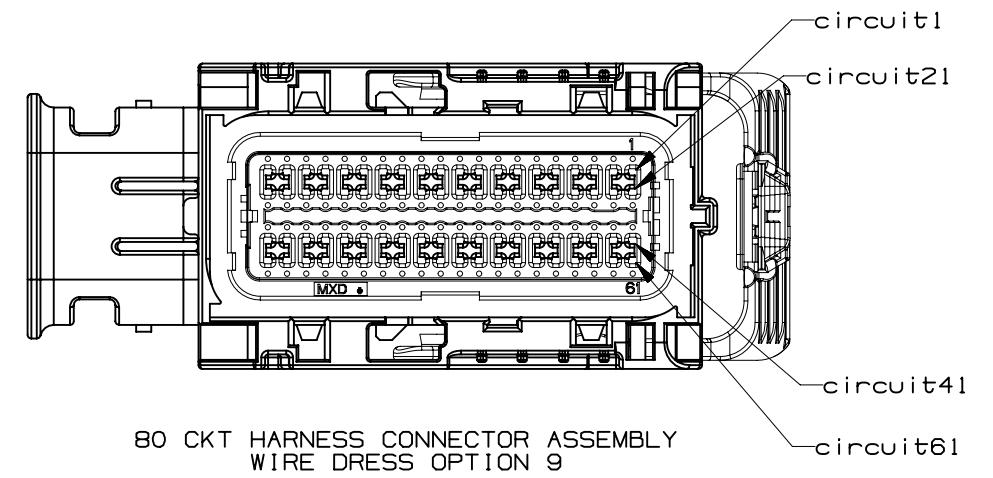


80 CKT HARNESS CONNECTOR ASSEMBLY
WIRE DRESS OPTION 0

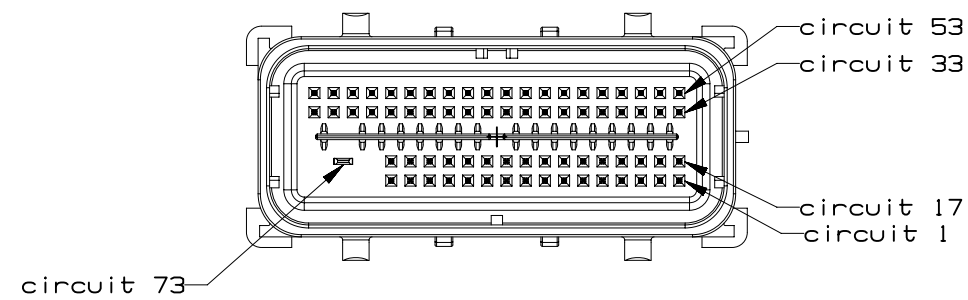
INTERFACE SIDE SHOWN ON ALL VIEWS



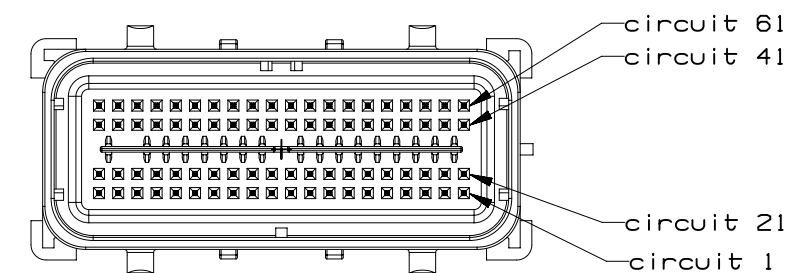
73 CKT HARNESS CONNECTOR ASSEMBLY
WIRE DRESS OPTION 9



80 CKT HARNESS CONNECTOR ASSEMBLY
WIRE DRESS OPTION 9

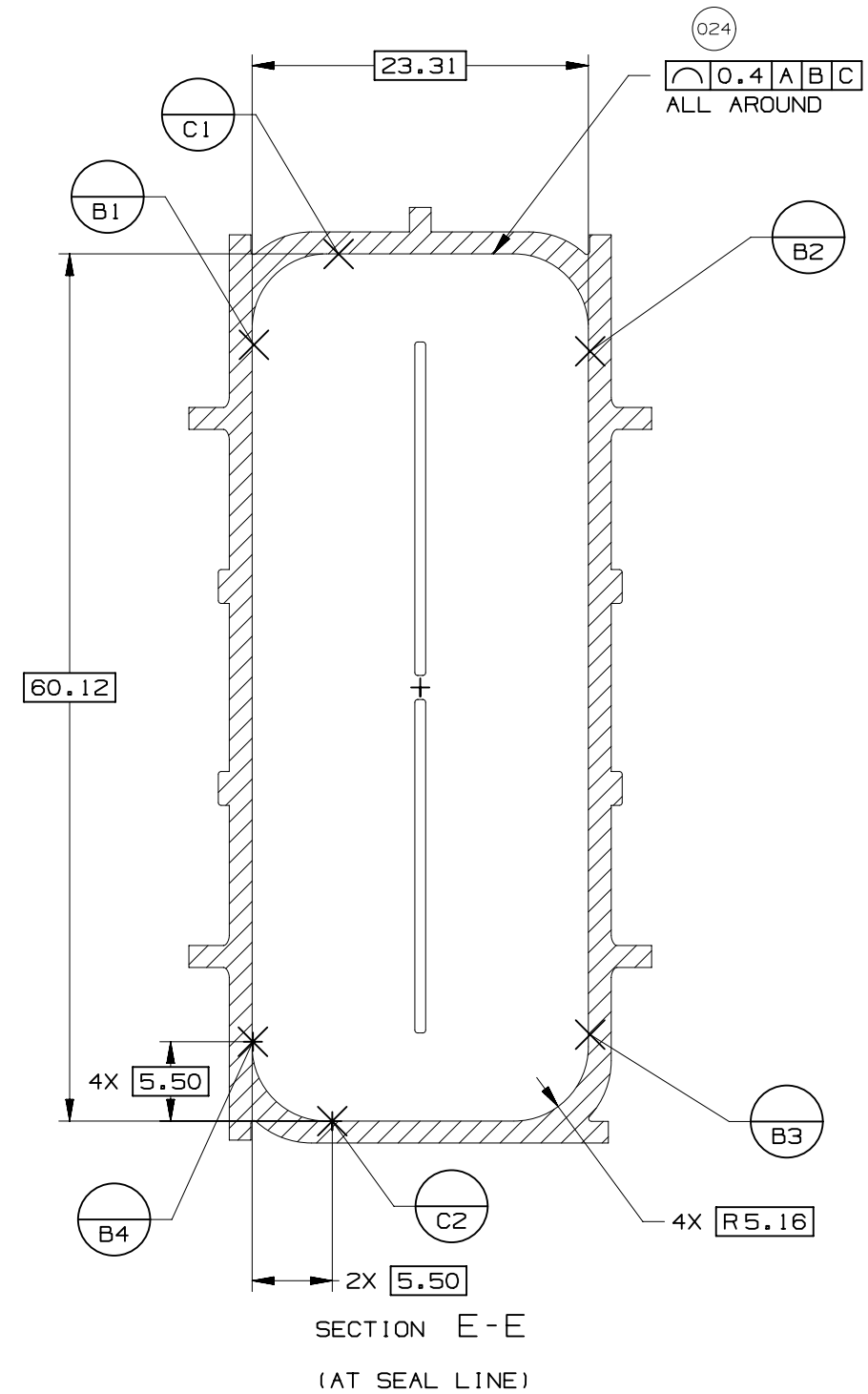
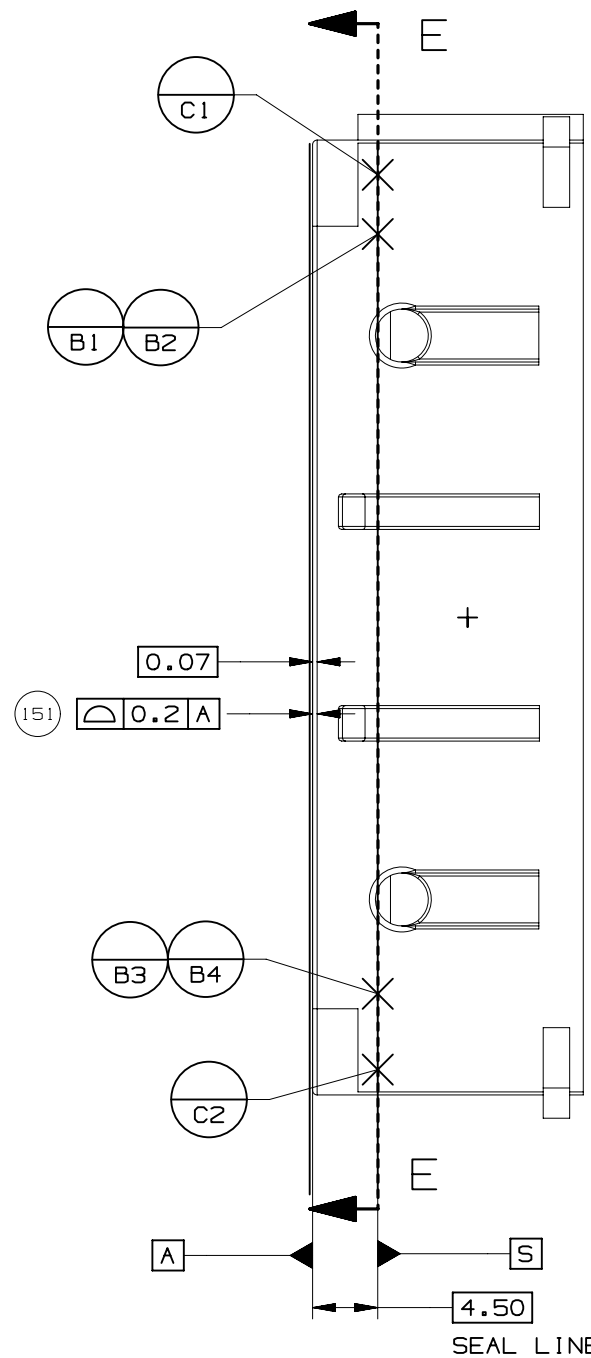
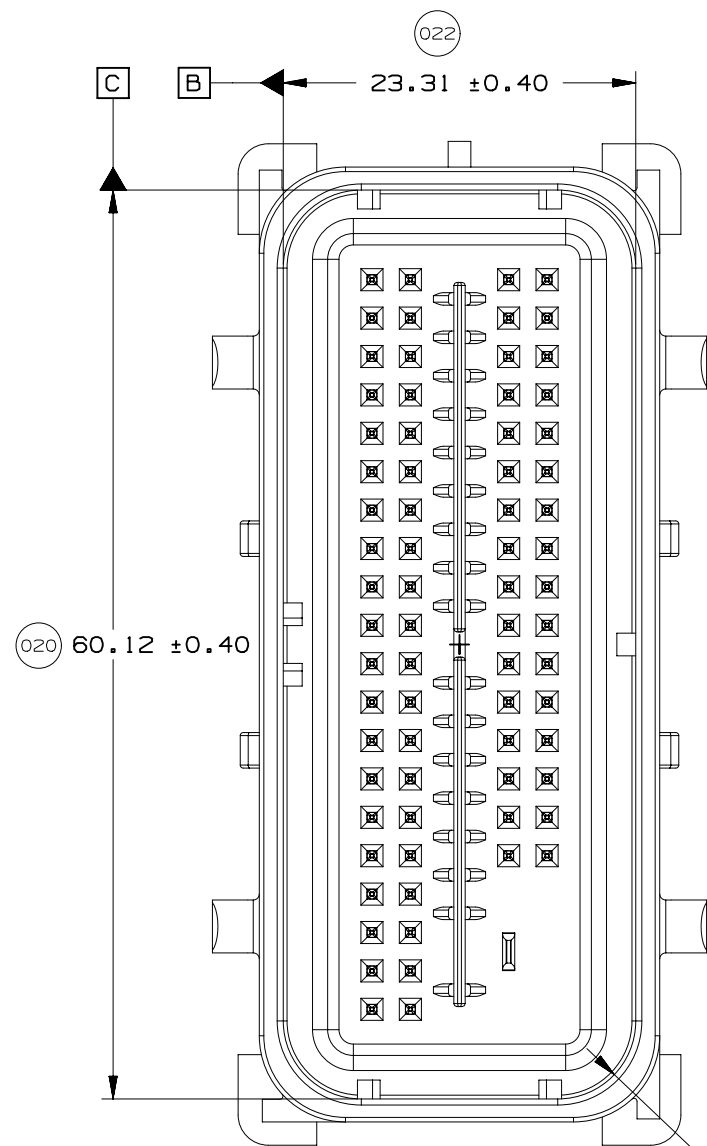
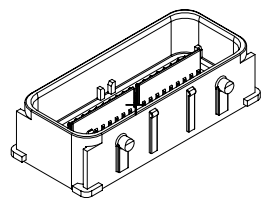


73 CKT COMPONENT CONNECTOR INTERFACE



80 CKT COMPONENT CONNECTOR INTERFACE





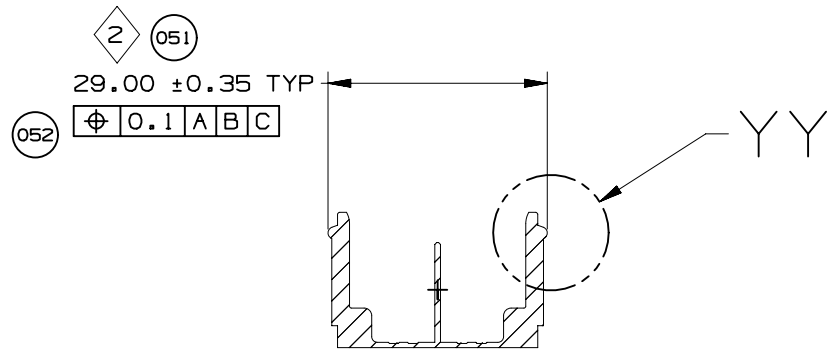
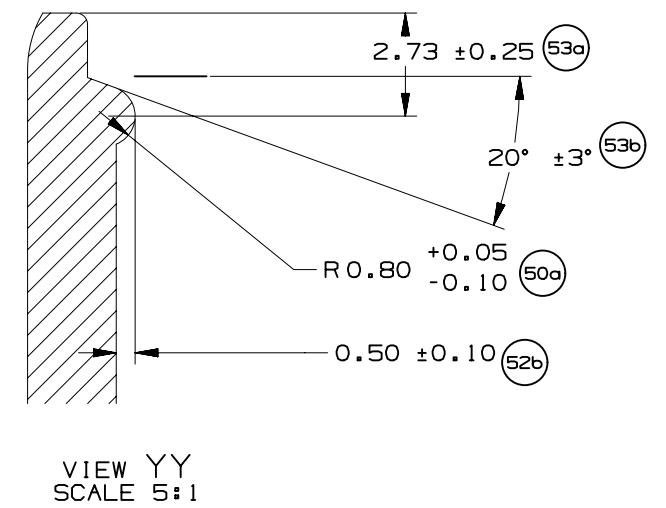
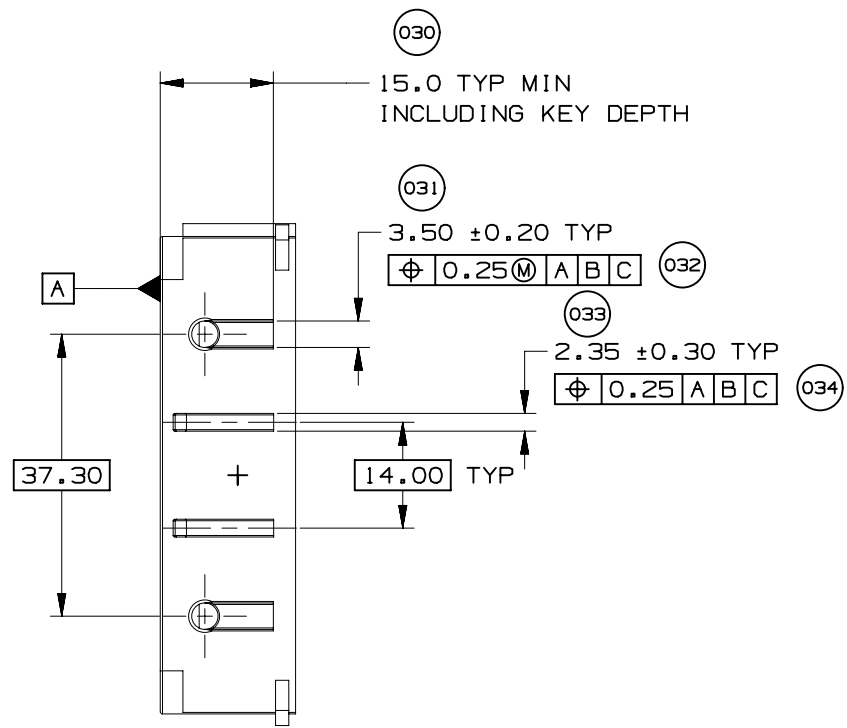
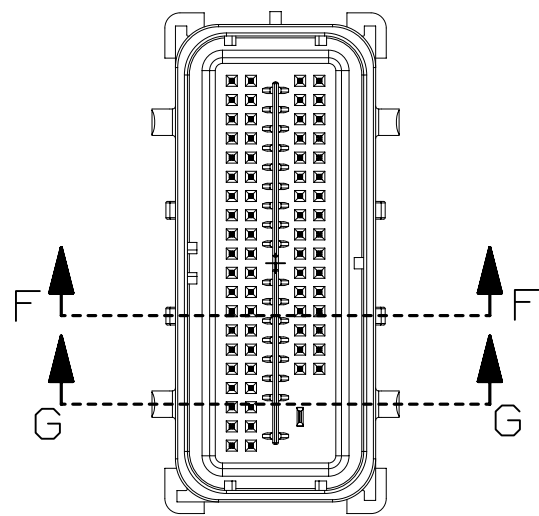
UNLESS SPECIFIED, TOLERANCE OF THE COMPONENT CONNECTOR INTERFACE TO BE 0.13 A B C



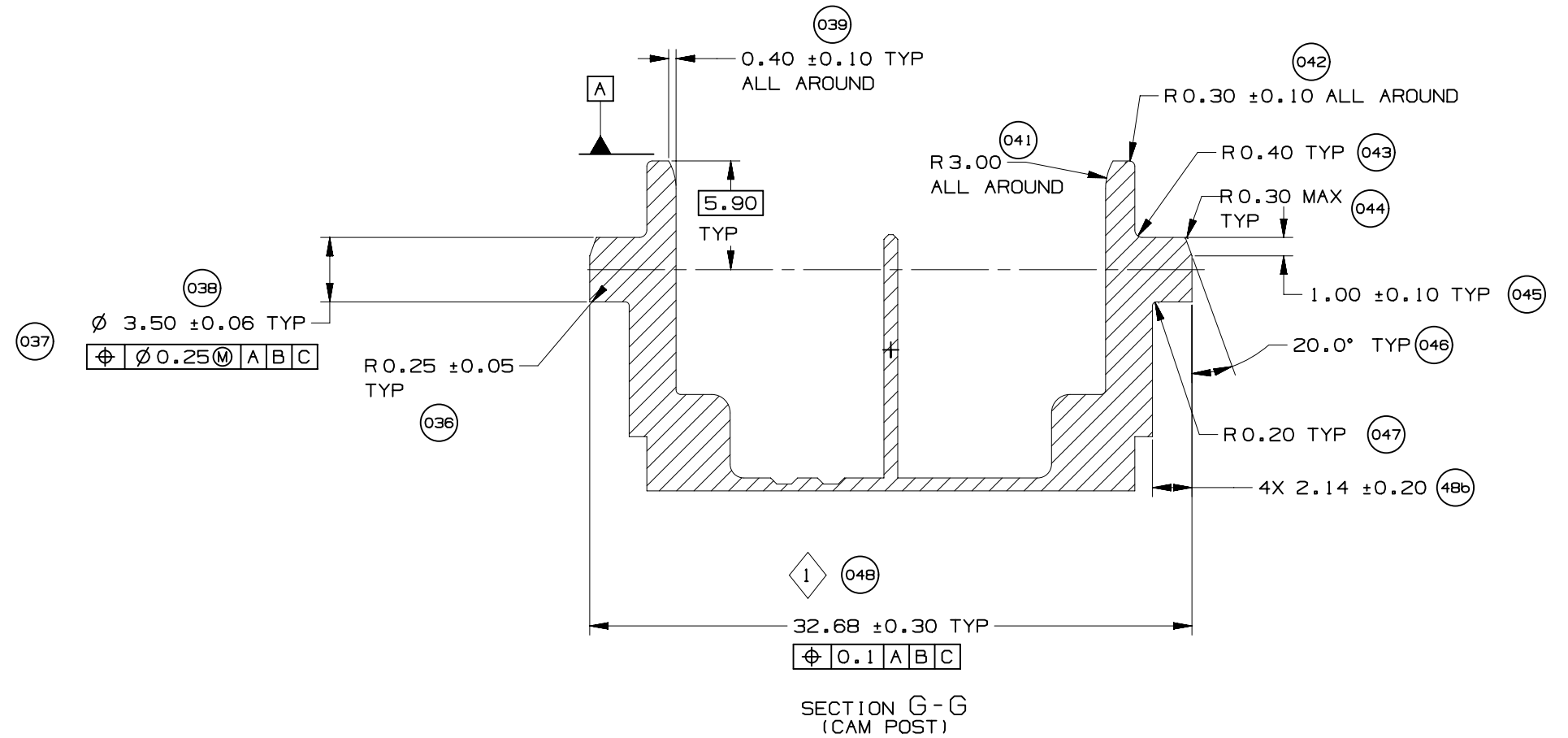
PAGE TITLE
COMPONENT CONNECTOR INTERFACE

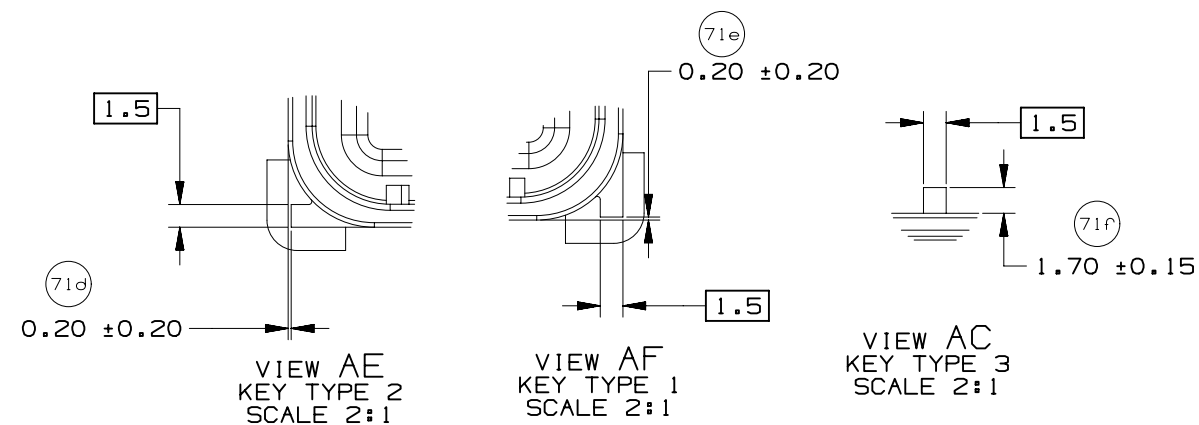
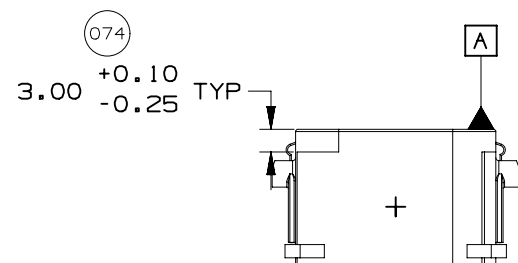
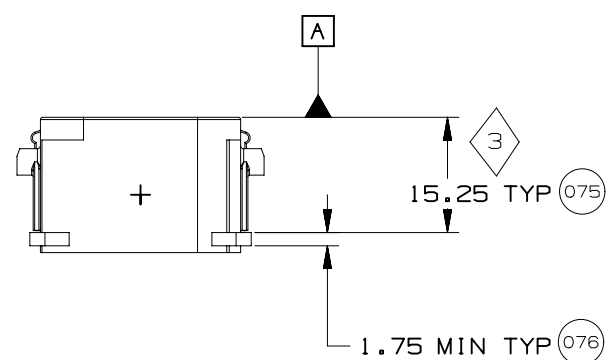
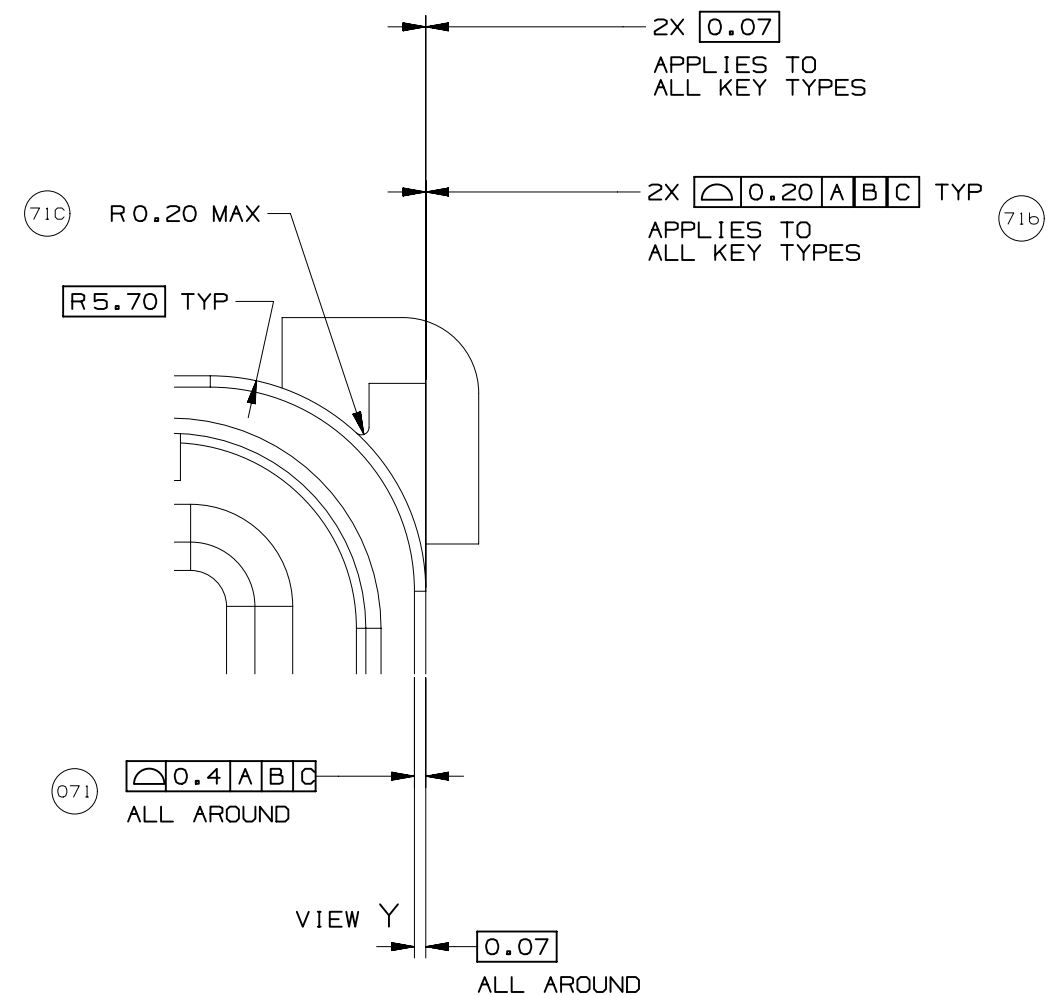
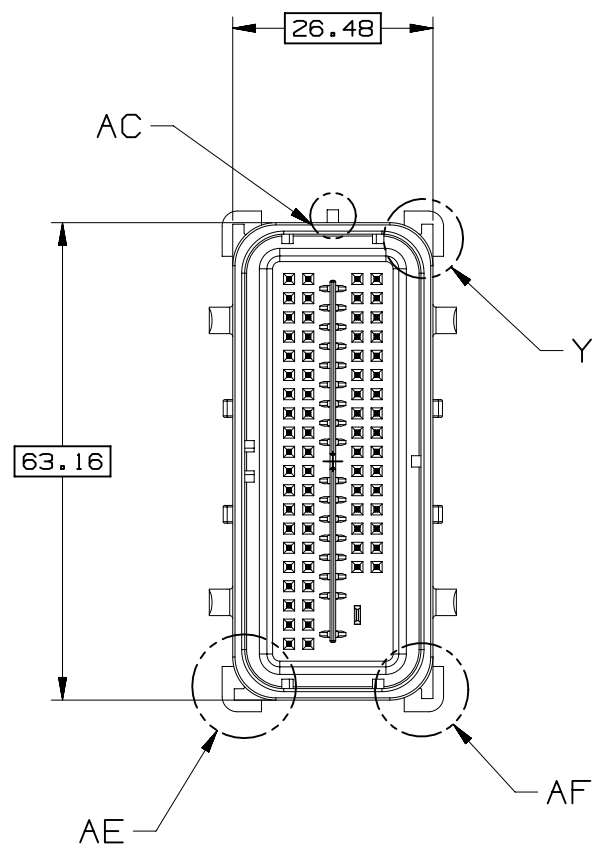
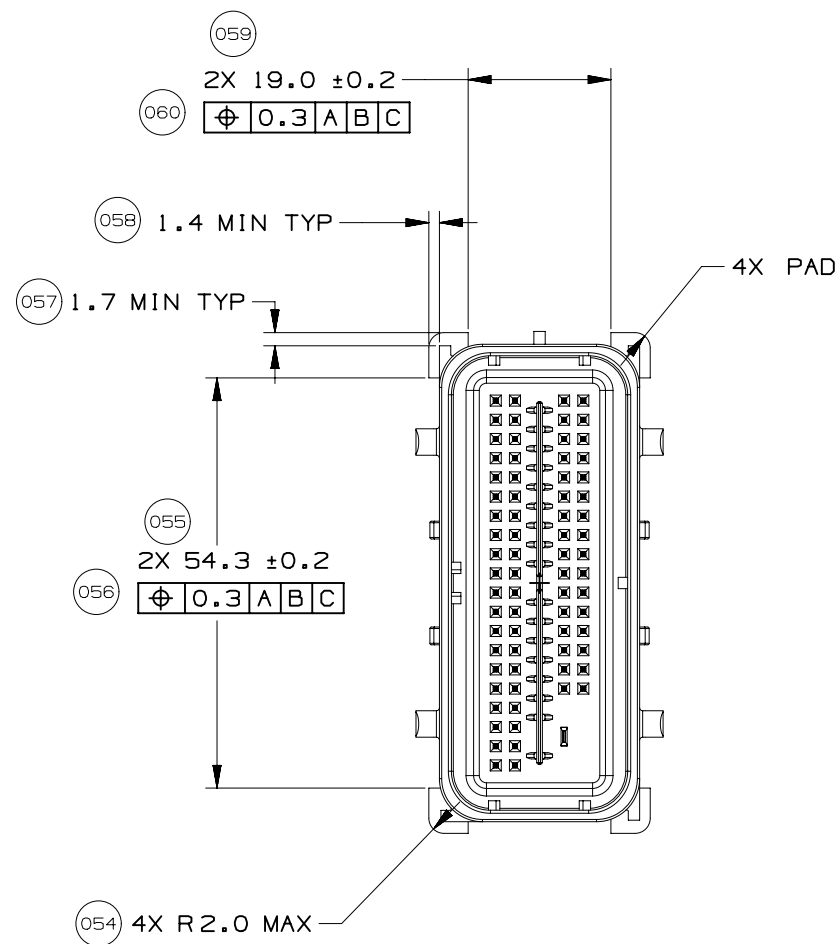
DRAWING NUMBER
12672833

DWG STATUS			PAGE NUMBER
ST	REV	PD1	
R	001		15 OF 22



SECTION F-F
(RELEASE FEATURE)

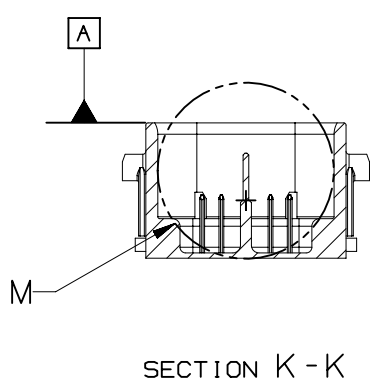
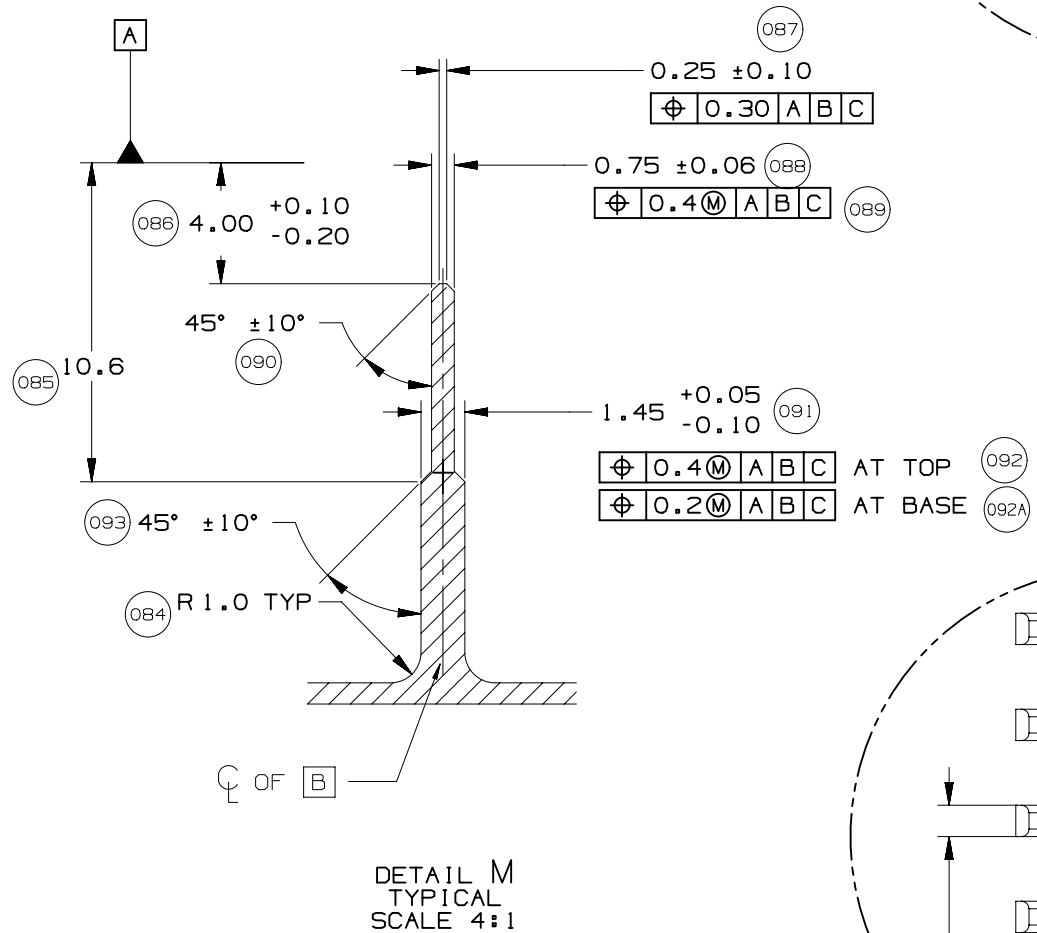
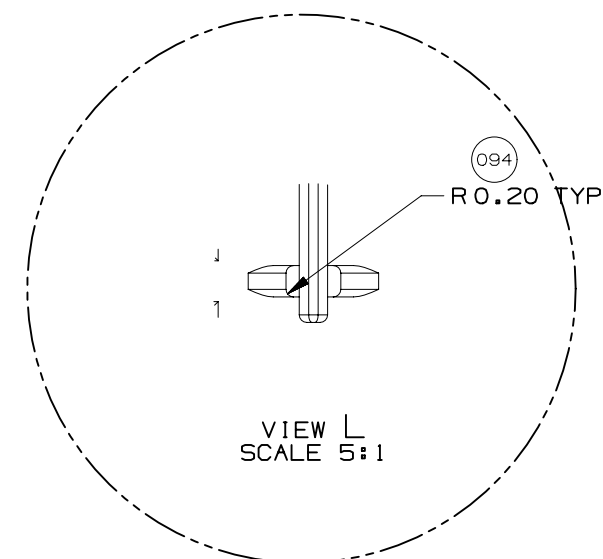
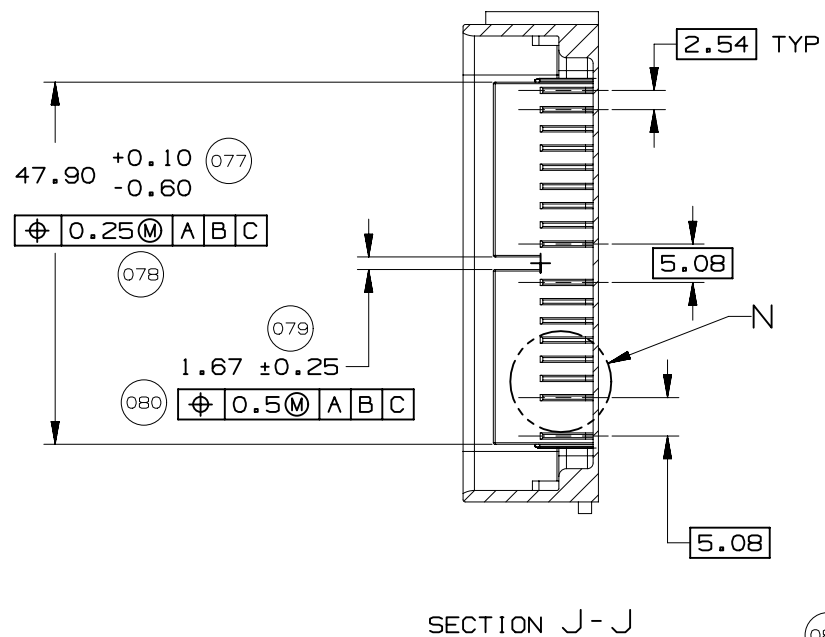
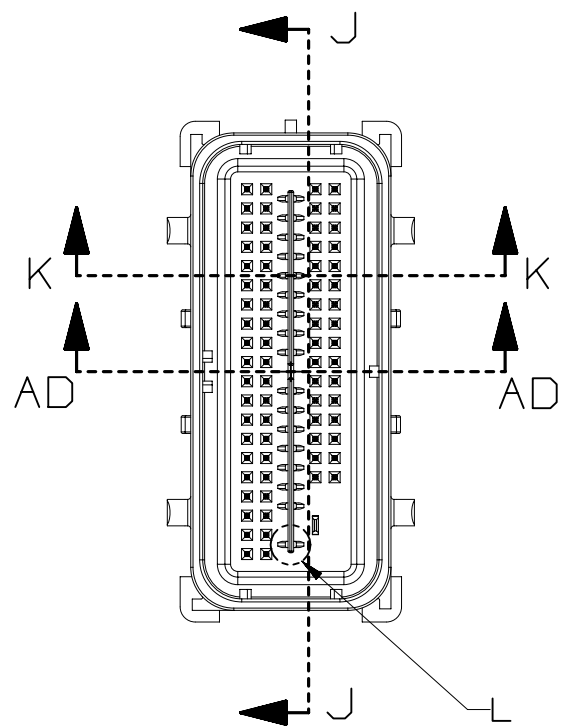




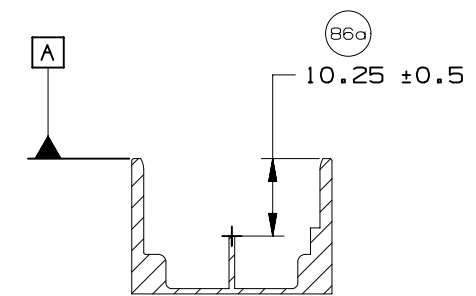
PAGE TITLE
 COMPONENT CONNECTOR INTERFACE

DRAWING NUMBER
 12672833

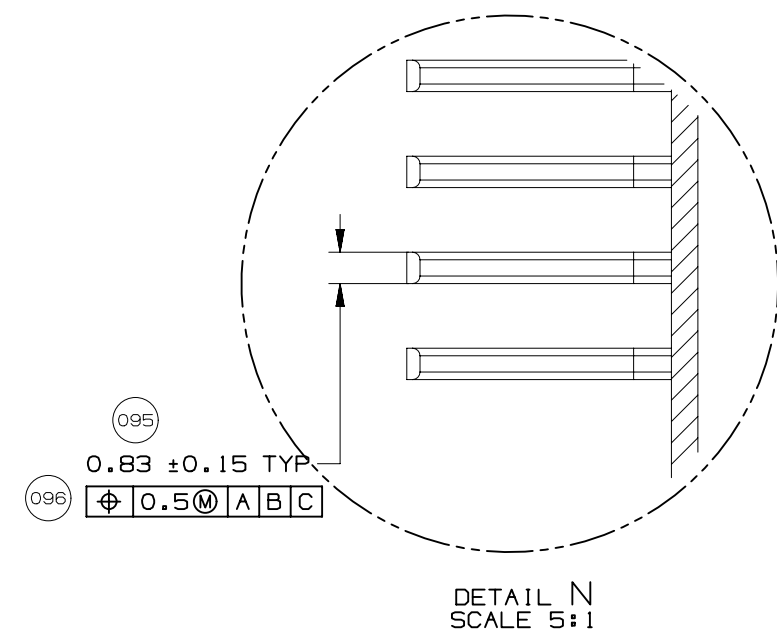
DWG STATUS			PAGE NUMBER
ST	REV	PD1	
R	001		17 OF 22



SECTION K-K



SECTION AD-AD



DETAIL N
SCALE 5:1

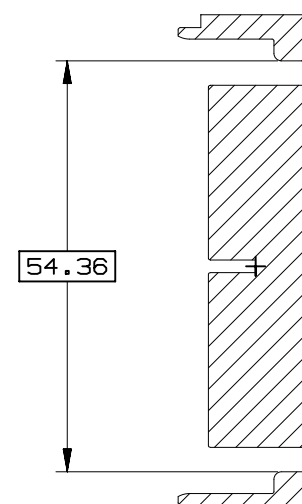
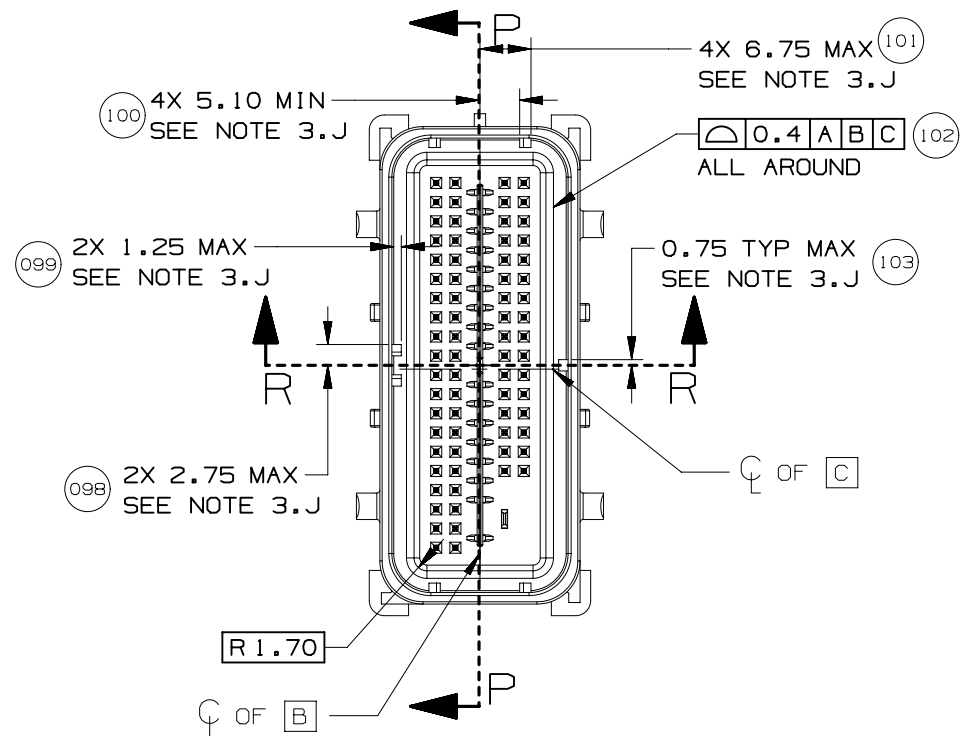


PAGE TITLE
COMPONENT CONNECTOR INTERFACE

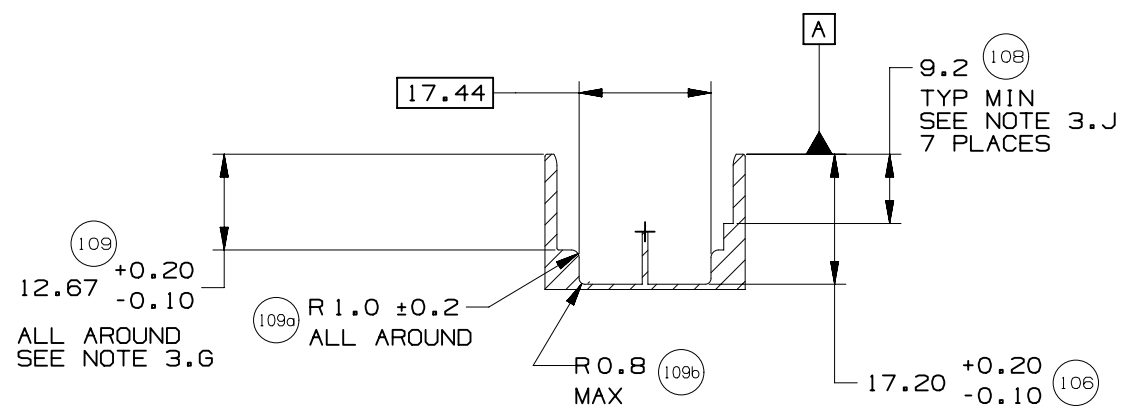
DRAWING NUMBER
12672833

DWG STATUS		
ST	REV	PD1
R	001	

PAGE NUMBER
18 OF 22



SECTION P-P



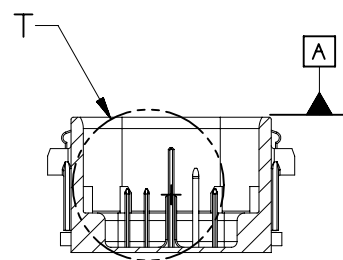
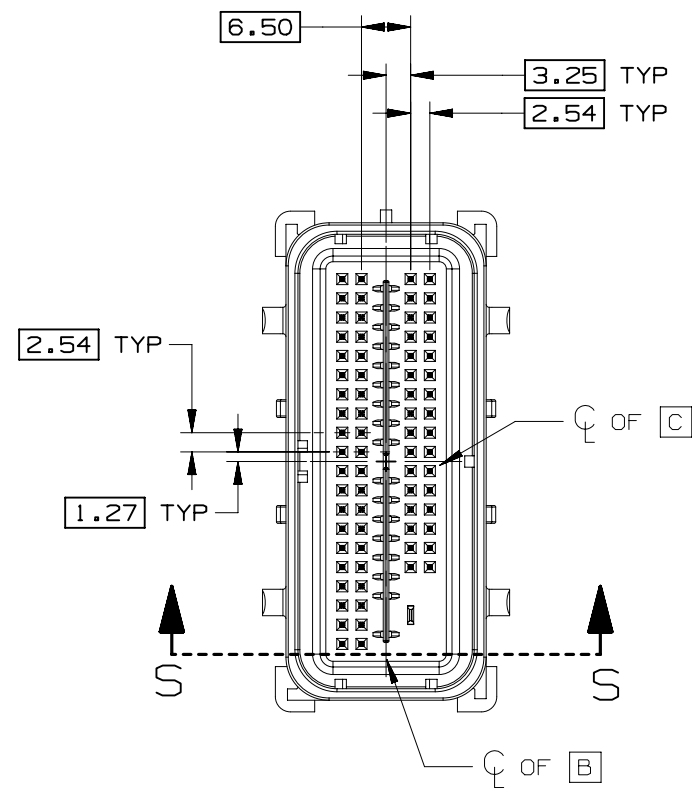
SECTION R-R



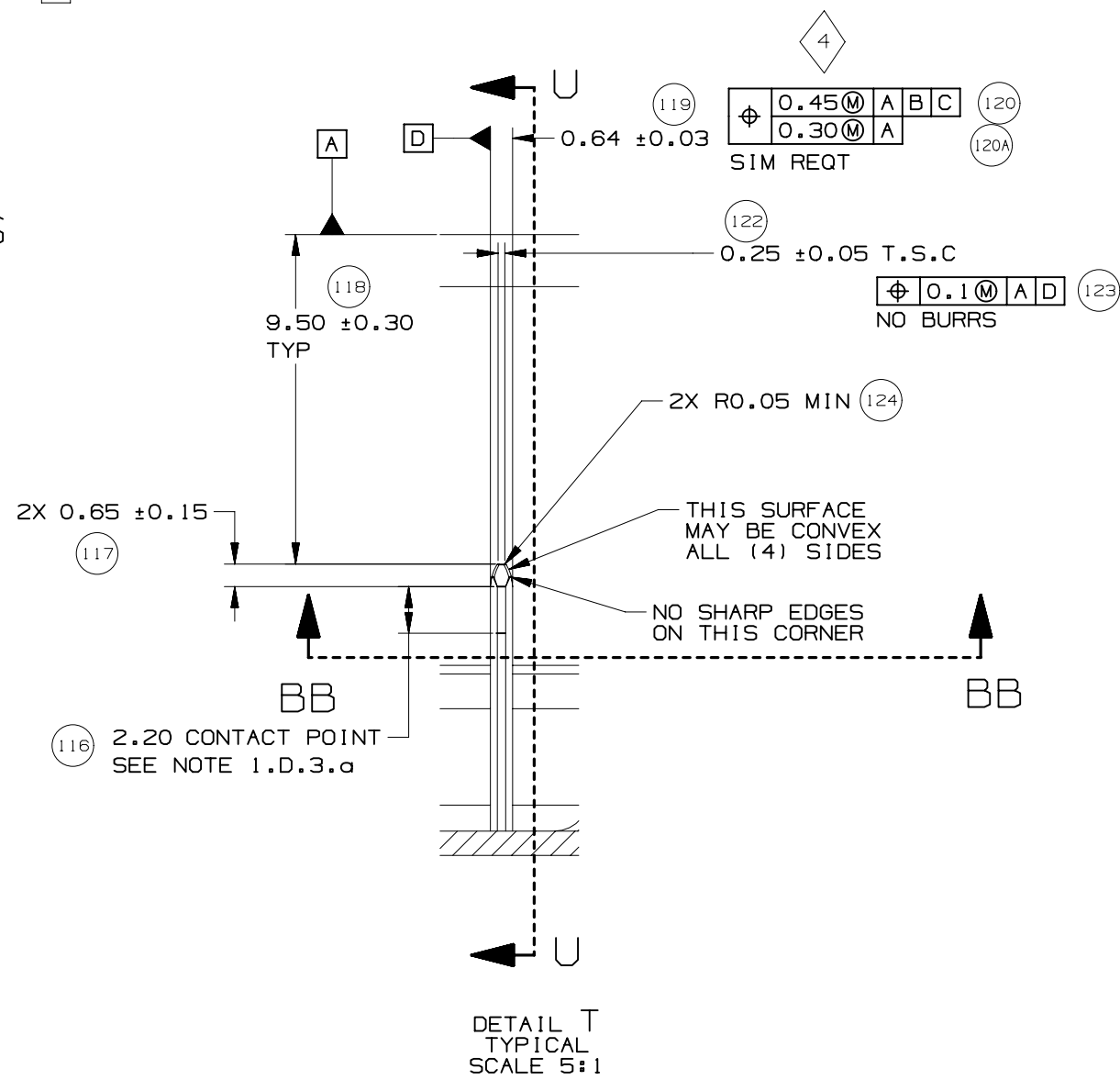
PAGE TITLE
COMPONENT CONNECTOR INTERFACE

DRAWING NUMBER
12672833

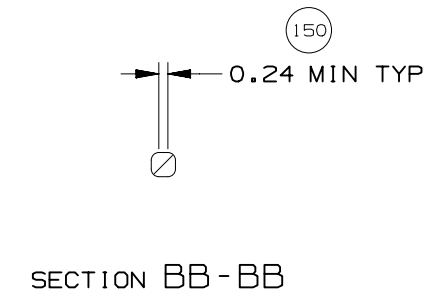
DWG STATUS			PAGE NUMBER
ST	REV	PD1	
R	001		19 OF 22



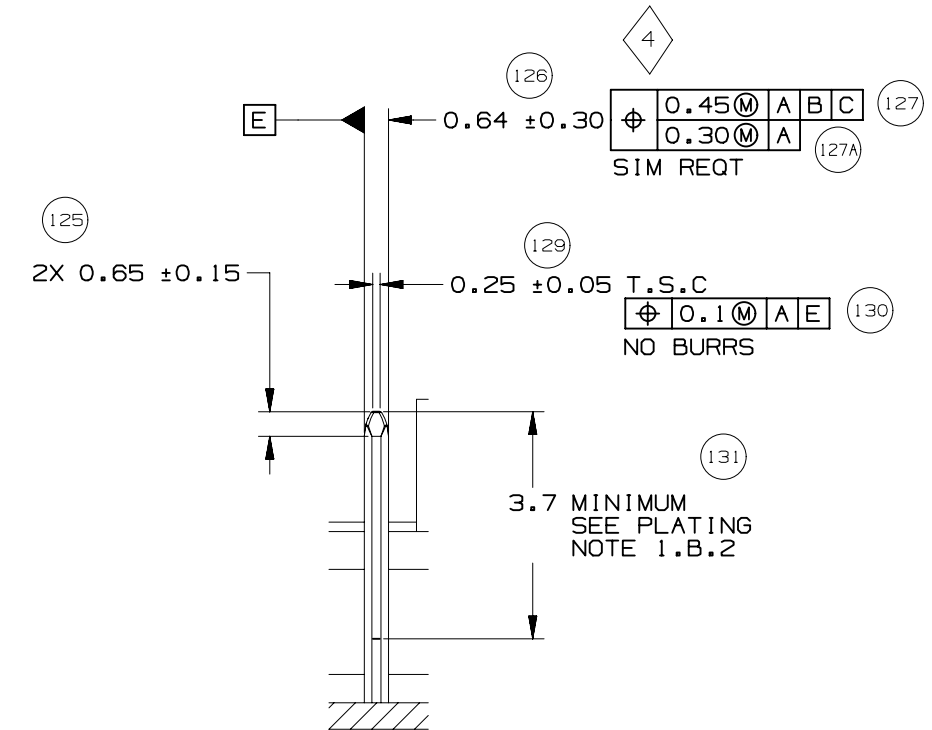
SECTION S-S



DETAIL T
TYPICAL
SCALE 5:1

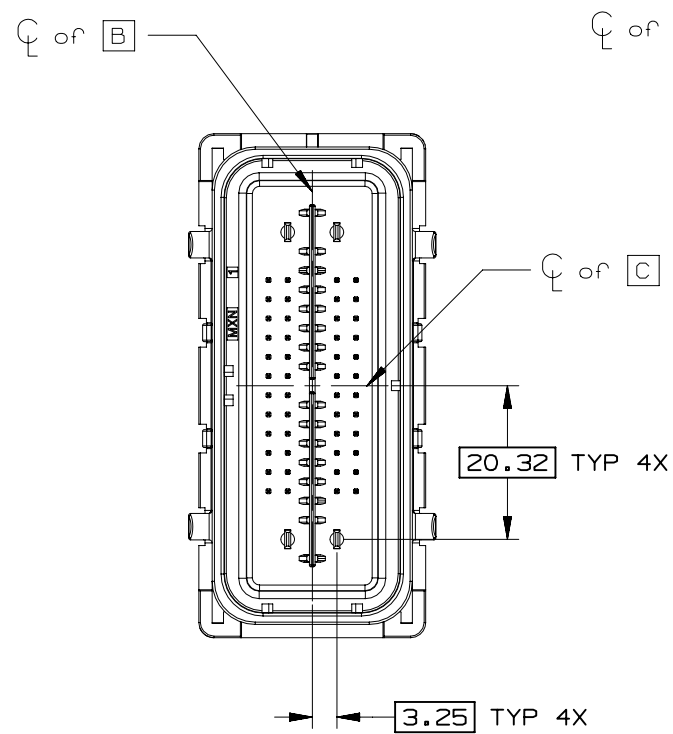


SECTION BB-BB

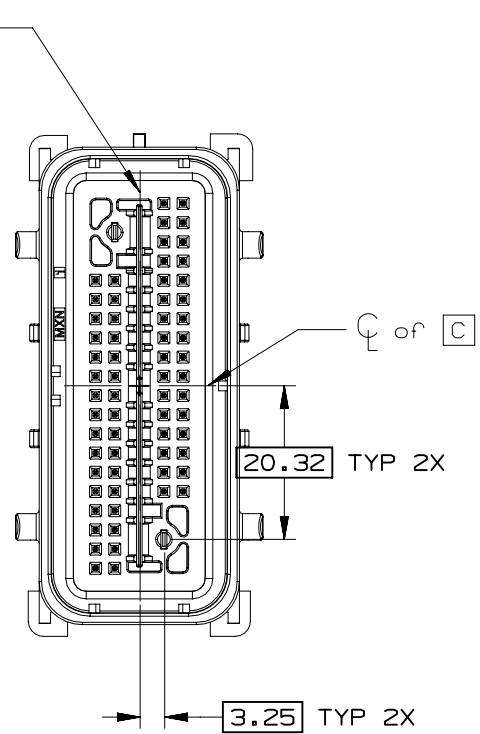


SECTION U-U
TYPICAL

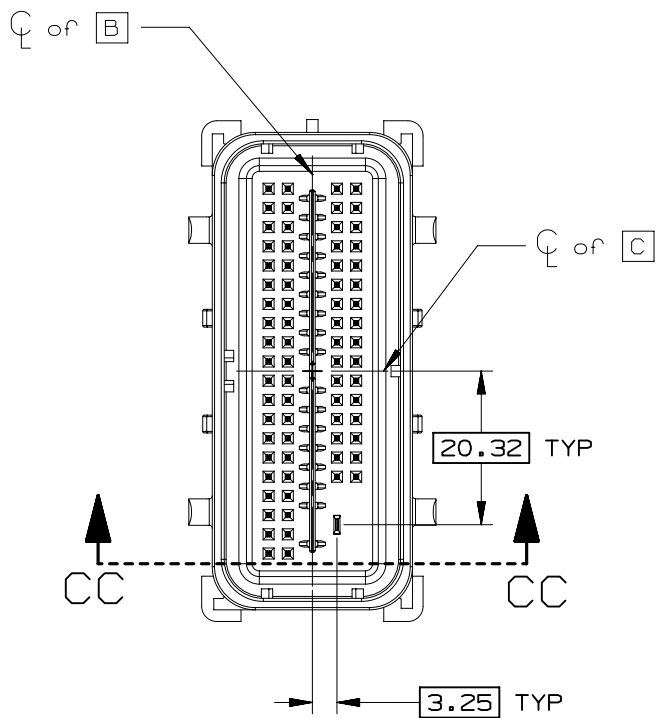




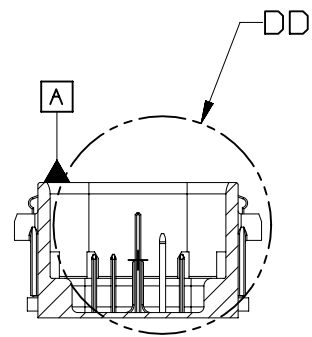
52 CKT COMPONENT
CONNECTOR INTERFACE



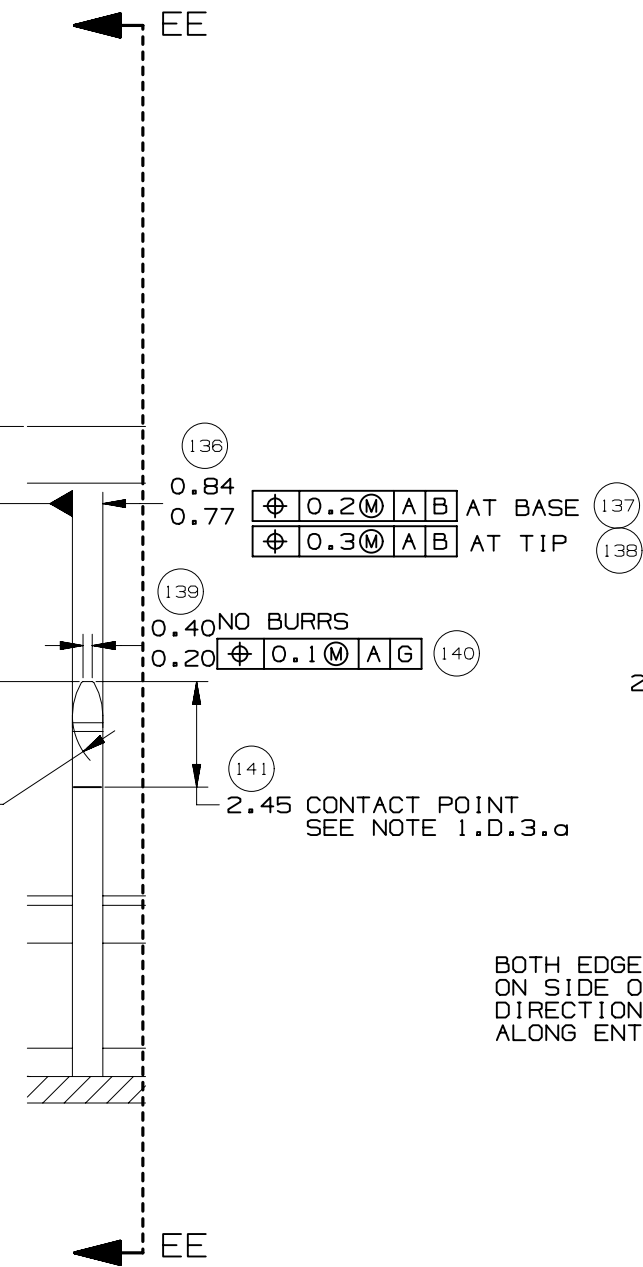
66 CKT COMPONENT
CONNECTOR INTERFACE



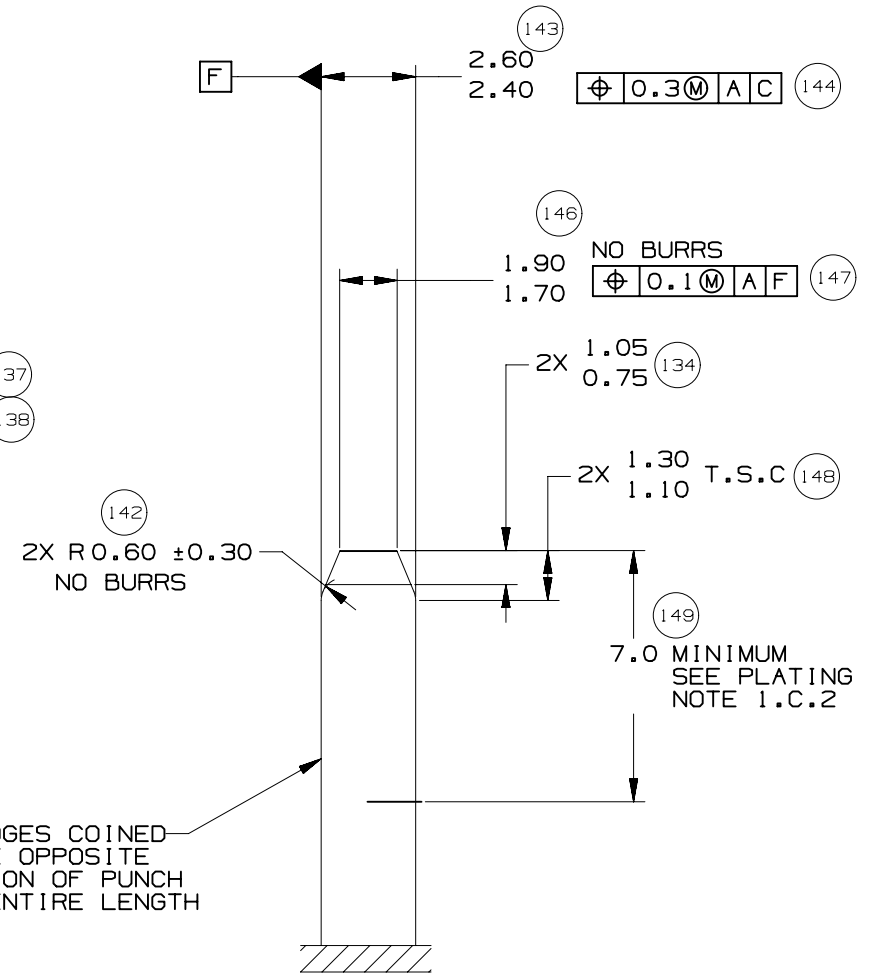
73 CKT COMPONENT
CONNECTOR INTERFACE



SECTION CC-CC



DETAIL DD
TYPICAL
SCALE 5:1



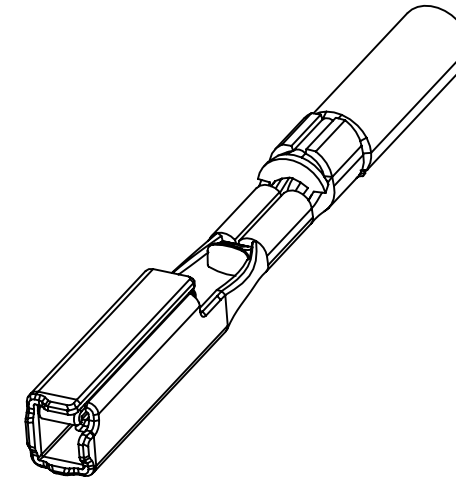
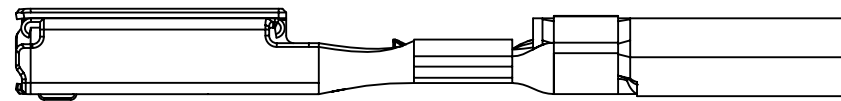
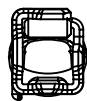
SECTION EE-EE
TYPICAL

BOTH EDGES COINED
ON SIDE OPPOSITE
DIRECTION OF PUNCH
ALONG ENTIRE LENGTH



MOLEX MX64 RECEPTACLE TERMINAL INFORMATION

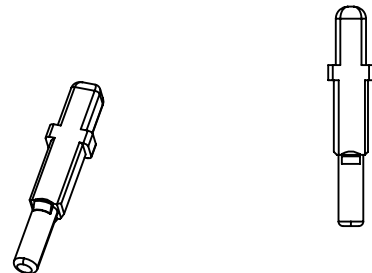
ITEM	MOLEX P/N	GM P/N	WIRE SIZE MM2	TYPE	PLATING	REEL WIND DIRECTION	COMMENTS
1	34736-0025		0.35	ISO	SILVER	LEFT	
2	34736-0026	12672850	0.35	ISO	SILVER	RIGHT	
3	34736-0027		0.5 / 0.75	ISO	SILVER	LEFT	
4	34736-0028	12672851	0.5 / 0.75	ISO	SILVER	RIGHT	



CAVITY PLUGS

ITEM	MFG	MFG P/N	GM P/N RD	SIZE	COLOR	MFG DRAWING	PROD SPEC	APP SPEC	COMMENTS
1	MOLEX	34586-0001	12674820	0.64	NATURAL	SD-34586-001	PS-34566-0000	AS-34566-001	
2	YAZAKI	7158-3114-90	12674821	2.8	BLUE	7158-3114-90	YPES-11-04-062	YPES-15-299	

ITEM 1



ITEM 2

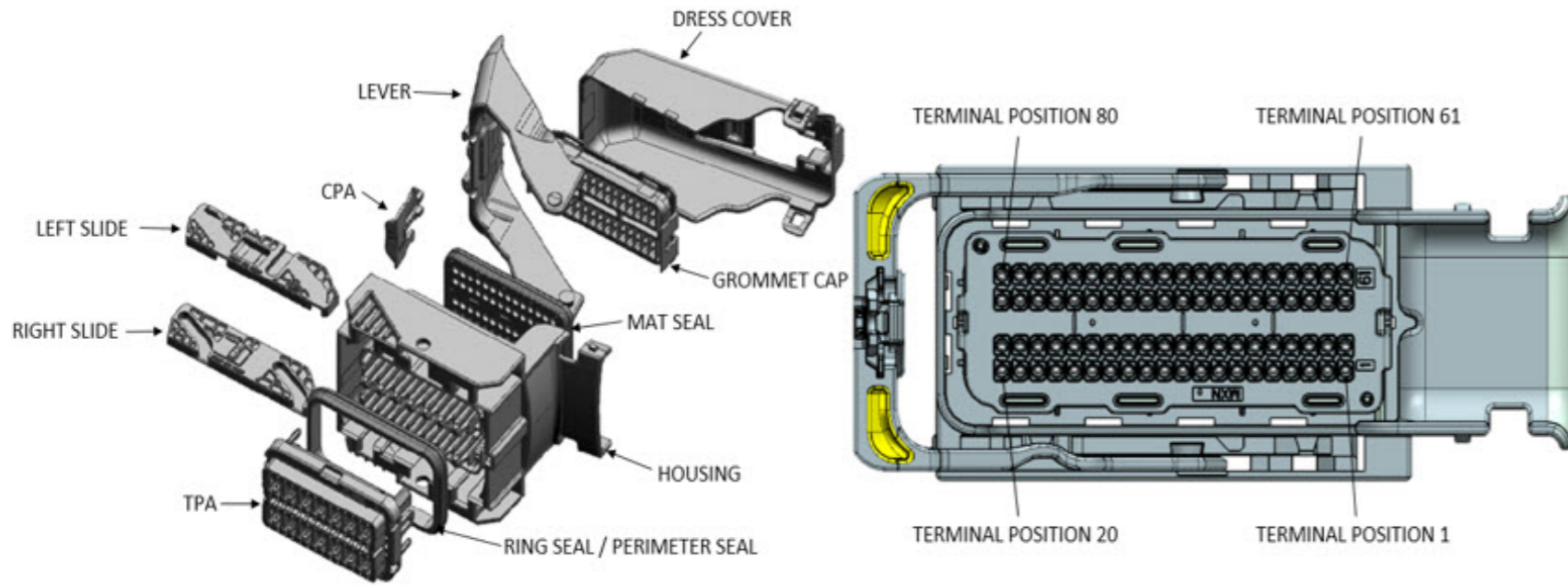


PAGE TITLE
ADDITIONAL COMPONENTS REQUIRED

DRAWING NUMBER
12672833

DWG STATUS		
ST	REV	PD1
R	001	

PAGE NUMBER
22 OF 22



ABBREVIATION	DESCRIPTION	COLOR	MATERIAL
G-CAP-0-P	GROMMET CAP OPTION 0 PLUGGED	BLACK	SPS/PA, G.F 30%
G-CAP-0-O	GROMMET CAP OPTION 0 ALL OPEN	BLACK	SPS/PA, G.F 30%
G-CAP-9-P	GROMMET CAP OPTION 9 PLUGGED	BLACK	SPS/PA, G.F 30%
G-CAP-9-O	GROMMET CAP OPTION 9 ALL OPEN	BLACK	SPS/PA, G.F 30%
C-HSG-G0	CONNECTOR HOUSING KEY G- WDC OPT 0	BLACK	SPS/PA, G.F 30%
C-HSG-H0	CONNECTOR HOUSING KEY H- WDC OPT 0	BLACK	SPS/PA, G.F 30%
C-HSG-J0	CONNECTOR HOUSING KEY J- WDC OPT 0	BLACK	SPS/PA, G.F 30%
C-HSG-K0	CONNECTOR HOUSING KEY K - WDC OPT 0	BLACK	SPS/PA, G.F 30%
C-HSG-L0	CONNECTOR HOUSING KEY L - WDC OPT 0	BLACK	SPS/PA, G.F 30%
C-HSG-M0	CONNECTOR HOUSING KEY M- WDC OPT 0	BLACK	SPS/PA, G.F 30%
C-HSG-G9	CONNECTOR HOUSING KEY G- WDC OPT 9	BLACK	SPS/PA, G.F 30%
C-HSG-H9	CONNECTOR HOUSING KEY H- WDC OPT 9	BLACK	SPS/PA, G.F 30%
C-HSG-J9	CONNECTOR HOUSING KEY J- WDC OPT 9	BLACK	SPS/PA, G.F 30%
C-HSG-K9	CONNECTOR HOUSING KEY K- WDC OPT 9	BLACK	SPS/PA, G.F 30%
C-HSG-L9	CONNECTOR HOUSING KEY L- WDC OPT 9	BLACK	SPS/PA, G.F 30%
C-HSG-M9	CONNECTOR HOUSING KEY M- WDC OPT 9	BLACK	SPS/PA, G.F 30%
TPA-G0	TERMINAL POSITION ASSURANCE (TPA) OPTION 0	BLUE	SPS/PA, G.F 30%
TPA-H0	TERMINAL POSITION ASSURANCE (TPA) OPTION 0	STONE GRAY	SPS/PA, G.F 30%
TPA-J0	TERMINAL POSITION ASSURANCE (TPA) OPTION 0	BLACK	SPS/PA, G.F 30%
TPA-K0	TERMINAL POSITION ASSURANCE (TPA) OPTION 0	BROWN	SPS/PA, G.F 30%
TPA-L0	TERMINAL POSITION ASSURANCE (TPA) OPTION 0	GREEN	SPS/PA, G.F 30%
TPA-M0	TERMINAL POSITION ASSURANCE (TPA) OPTION 0	NATURAL	SPS/PA, G.F 30%
TPA-G9	TERMINAL POSITION ASSURANCE (TPA) OPTION 9	BLUE	SPS/PA, G.F 30%
TPA-H9	TERMINAL POSITION ASSURANCE (TPA) OPTION 9	STONE GRAY	SPS/PA, G.F 30%
TPA-J9	TERMINAL POSITION ASSURANCE (TPA) OPTION 9	BLACK	SPS/PA, G.F 30%
TPA-K9	TERMINAL POSITION ASSURANCE (TPA) OPTION 9	BROWN	SPS/PA, G.F 30%
TPA-L9	TERMINAL POSITION ASSURANCE (TPA) OPTION 9	GREEN	SPS/PA, G.F 30%
TPA-M9	TERMINAL POSITION ASSURANCE (TPA) OPTION 9	NATURAL	SPS/PA, G.F 30%
MAL	MATE ASSIST LEVER	BLACK	SPS/NYLON GF30
RS	SLIDE - RIGHT	BLACK	PBT W/PTFE, G.F. 30%
LS	SLIDE - LEFT	BLACK	PBT W/PTFE, G.F. 30%
CVR BLACK	DRESS COVER BLACK	BLACK	PBT, G.F. 30%
CVR GRAY	DRESS COVER GRAY	GRAY	PBT, G.F. 30%
CVR BLUE	DRESS COVER BLUE	BLUE	PBT, G.F. 30%
CVR BROWN	DRESS COVER BROWN	BROWN	PBT, G.F. 30%
CVR GREEN	DRESS COVER GREEN	GREEN	PBT, G.F. 30%
CVR NATURAL	DRESS COVER NATURAL	NATURAL	PBT, G.F. 30%
CVR YELLOW	DRESS COVER YELLOW	YELLOW	PBT, G.F. 30%
CPA	CONNECTOR POSITION ASSURANCE (CPA)	RED	PPE/PA 10% GF
MSEAL	MAT SEAL	RUST RED	INHERENTLY LUBRICATED SILICONE RUBBER
RSEAL	RING SEAL	RUST RED	INHERENTLY LUBRICATED SILICONE RUBBER

FOR ADDITIONAL INFORMATION SEE SD-34566-001

ASSEMBLY DESCRIPTION	ASSEMBLY PART NUMBER	CONNECTOR HOUSING	GROMMET CAP	TPA	RIGHT SLIDE	LEFT SLIDE	MATE ASSIST LEVER	CPA	MAT SEAL	RING SEAL	BLOCKED TERMINALS																				STATUS	COMMENTS	INTEGRAL COMPONENTS SOLD SEPARATELY DRESS COVER
											CAVITY WITH A NUMBER INDICATES BLOCKED TERMINAL POSITION										CAVITY WITHOUT A NUMBER INDICATES OPEN TERMINAL POSITION												
MX123 CONN ASSY 80 CKT BLU OPT0 KEY G/40	345660014	C-HSG-G0	G-CAP-0-P	TPA-G0		LS	MAL	CPA	MSEAL	RSEAL	-	-	-	-	76	-	74	73	72	71	70	69	68	67	-	-	-	63	-	61	SALEABLE		345650003
MX123 CONN ASSY 80 CKT BLU OPT0 KEY G/0	345660024	C-HSG-G0	G-CAP-0-P	TPA-G0		LS	MAL	CPA	MSEAL	RSEAL	80	79	78	77	76	75	74	73	72	71	70	69	68	67	66	65	64	63	62	61	SALEABLE		345650003
MX123 CONN ASSY 80 CKT BLU OPT0 KEY G/39	345660034	C-HSG-G0	G-CAP-0-P	TPA-G0		LS	MAL	CPA	MSEAL	RSEAL	-	-	-	77	76	-	74	73	72	71	70	69	68	67	-	-	-	63	-	61	SALEABLE		345650003
MX123 CONN ASSY 80 CKT BLU OPT0 KEY G/39	345660054	C-HSG-G0	G-CAP-0-P	TPA-G0		LS	MAL	CPA	MSEAL	RSEAL	-	-	-	-	76	-	74	73	72	71	70	69	68	67	-	-	-	63	-	61	SALEABLE		345650003

**MX123 SEALED RCPT ASSY (80 Ckt)
BOM & PIN OUT SHEET**

ASSEMBLY DESCRIPTION	ASSEMBLY PART NUMBER	CONNECTOR HOUSING	GROMMET CAP	TPA	RIGHT SLIDE	LEFT SLIDE	MATE ASSIST LEVER	CPA	MAT SEAL	RING SEAL	BLOCKED TERMINALS																				STATUS	COMMENTS	INTEGRAL COMPONENTS SOLD SEPARATELY DRESS COVER
											CAVITY WITH A NUMBER INDICATES BLOCKED TERMINAL POSITION CAVITY WITHOUT A NUMBER INDICATES OPEN TERMINAL POSITION																						
											-	-	-	-	76	-	74	73	72	71	70	69	68	67	-	-	-	63	-	61			
MX123 CONN ASSY 80 CKT BLU OPT0 KEY G/42	345660164	C-HSG-G0	G-CAP-0-P	TPA-G0		LS	MAL	CPA	MSEAL	RSEAL	-	60	58	56	55	54	52	51	50	49	48	47	-	45	-	-	-	-	SALEABLE		345650003		
											40	-	-	36	-	34	-	31	-	29	28	27	-	-	-	23	-	-					
											-	19	-	-	15	14	13	-	-	10	9	-	-	-	4	-	-	-					
MX123 CONN ASSY 80 CKT GRY OPT0 KEY H/5	345660414	C-HSG-H0	G-CAP-0-P	TPA-H0		LS	MAL	CPA	MSEAL	RSEAL	80	79	78	77	76	75	74	73	72	71	70	69	68	67	66	65	64	63	62	61	SALEABLE		345650003
											60	59	58	57	56	55	54	53	52	51	50	49	48	47	46	45	44	43	42	41			
											40	39	38	37	36	35	34	33	32	31	30	29	28	27	-	-	-	-	22	21			
											20	19	18	17	16	-	14	13	12	11	10	9	8	7	6	5	4	3	2	1			
MX123 CONN ASSY 80 CKT GRY OPT0 KEY H/45	345660424	C-HSG-H0	G-CAP-0-P	TPA-H0		LS	MAL	CPA	MSEAL	RSEAL	80	79	78	77	76	-	-	-	-	71	70	-	-	67	66	-	-	63	-	-	SALEABLE		345650003
											60	-	58	57	-	-	54	53	-	51	50	-	-	-	-	45	-	-	42	-			
											40	39	38	37	36	35	-	33	32	31	-	-	-	-	-	-	-	-	-	-			
											20	19	-	-	16	-	-	-	-	-	-	9	8	7	6	-	-	-	-	-			
MX123 CONN ASSY 80 CKT BLU OPT0 KEY G/10	345660434	C-HSG-G0	G-CAP-0-P	TPA-G0		LS	MAL	CPA	MSEAL	RSEAL	80	79	78	77	76	75	74	73	72	71	70	69	68	67	66	65	64	-	62	-	SALEABLE		345650003
											60	59	58	57	56	55	54	53	52	51	50	49	48	47	46	-	44	43	42	41			
											40	39	38	37	36	35	34	33	32	31	30	29	28	-	-	-	24	23	22	21			
											20	19	18	17	16	15	14	13	12	11	10	9	8	-	-	5	4	-	2	-			
MX123 CONN ASSY 80 CKT BLU OPT0 KEY G/80	345660703	C-HSG-G0	G-CAP-0-P	TPA-G0		LS	MAL	CPA	MSEAL	RSEAL	-	-	-	-	-	-	-	-	-	-	-	-	-	-	-	-	-	-	-	-	SALEABLE		345650003
											-	-	-	-	-	-	-	-	-	-	-	-	-	-	-	-	-	-	-	-			
											-	-	-	-	-	-	-	-	-	-	-	-	-	-	-	-	-	-	-	-			
											-	-	-	-	-	-	-	-	-	-	-	-	-	-	-	-	-	-	-	-			
MX123 CONN ASSY 80 CKT GRY OPT0 KEY H/80	345660803	C-HSG-H0	G-CAP-0-P	TPA-H0		LS	MAL	CPA	MSEAL	RSEAL	-	-	-	-	-	-	-	-	-	-	-	-	-	-	-	-	-	-	-	-	SALEABLE		345650003
											-	-	-	-	-	-	-	-	-	-	-	-	-	-	-	-	-	-	-	-			
											-	-	-	-	-	-	-	-	-	-	-	-	-	-	-	-	-	-	-	-			
											-	-	-	-	-	-	-	-	-	-	-	-	-	-	-	-	-	-	-	-			
MX123 CONN ASSY 80 CKT GRY OPT0 KEY H/23	345661053	C-HSG-H0	G-CAP-0-P	TPA-H0		LS	MAL	CPA	MSEAL	RSEAL	80	-	-	-	-	-	-	-	-	-	-	-	-	67	-	-	-	-	62	-	SALEABLE		345650003
											-	-	-	-	55	54	-	-	51	-	49	48	47	46	45	-	-	42	-				
											-	-	-	36	-	-	-	-	31	-	-	28	-	-	25	24	23	-	-				
											-	-	-	-	15	-	-	-	-	10	-	-	7	-	-	4	-	-	1				
MX123 CONN ASSY 80 CKT GRY OPT0 KEY H/30	345661123	C-HSG-H0	G-CAP-0-P	TPA-H0		LS	MAL	CPA	MSEAL	RSEAL	80	79	-	77	76	75	74	73	-	-	-	-	-	-	-	-	-	62	-	SALEABLE		345650003	
											60	59	-	-	-	55	54	-	-	-	-	49	48	47	46	45	-	-	42	-			
											-	39	38	-	36	-	-	-	-	31	-	-	28	-	-	25	24	23	-	-			
											-	-	-	-	15	-	13	-	11	-	-	-	-	-	-	4	-	-	-	-			
MX123 CONN ASSY 80 CKT GRY OPT0 KEY H/35	345661163	C-HSG-H0	G-CAP-0-P	TPA-H0		LS	MAL	CPA	MSEAL	RSEAL	80	79	-	77	76	75	74	73	-	-	-	-	67	-	-	-	-	62	-	SALEABLE		345650003	
											-	-	-	-	55	54	-	-	51	-	49	48	47	46	45	-	-	42	-				
											-	39	38	-	36	-	-	33	-	31	-	-	28	-	-	25	24	23	-	-			
											-	-	-	-	15	14	-	-	11	10	9	-	7	-	-	4	-	-	1				
MX123 CONN ASSY 80 CKT GRY OPT0 KEY H/38	345661313	C-HSG-H0	G-CAP-0-P	TPA-H0		LS	MAL	CPA	MSEAL	RSEAL	-	79	-	77	76	75	74	73	-	-	-	-	-	67	-	-	-	-	62	-	SALEABLE		345650003
											60	59	-	-	-	-	-	-	52	51	50	49	48	47	-	45	-	-	41				
											-	39	38	-	36	-	34	33	-	31	-	-	28	-	-	25	24	23	22	-			
											-	-	-	-	16	-	14	13	-	11	10	9	-	7	-	-	4	-	-	1			
MX123 CONN ASSY 80 CKT GRY OPT0 KEY H/28	345661353	C-HSG-H0	G-CAP-0-P	TPA-H0		LS	MAL	CPA	MSEAL	RSEAL	80	-	-	-	-	-	-	-	-	-	-	-	-	67	-	-	-	-	62	-	SALEABLE		345650003
											-	-	-	-	55	54	-	52	51	-	49	48	47	46	45	-	-	42	-				
											-	-	-	36	-	-	33	-	31	-	-	28	-	-	25	24	23	-	-				
											-	-	-	-	16	15	14	-	-	-	10	9	-	7	-	-	4	-	-	1			
MX123 CONN ASSY 80 CKT GRY OPT9 KEY H/80	345661573	C-HSG-H9	G-CAP-9-P	TPA-H9		LS	MAL	CPA	MSEAL	RSEAL	80	79	78	77	76	75	74	73	72	71	70	69	68	67	66	65	64	63	62	61	SALEABLE		345650003
											60	59	58	57	56	55	54	53	52	51	50	49	48	47	46	45	44	43	42	41			
											40	39	38	37	36	35	34	33	32	31	30	29	28	27	26	25	24	23	22	21			
											20	19	18	17	16	15	14	13	12	11	10	9	8	7	6	5	4	3	2	1			

ASSEMBLY DESCRIPTION	ASSEMBLY PART NUMBER	CONNECTOR HOUSING	GROMMET CAP	TPA	RIGHT SLIDE	LEFT SLIDE	MATE ASSIST LEVER	CPA	MAT SEAL	RING SEAL	BLOCKED TERMINALS																			STATUS	COMMENTS	INTEGRAL COMPONENTS SOLD SEPARATELY DRESS COVER			
											CAVITY WITH A NUMBER INDICATES BLOCKED TERMINAL POSITION CAVITY WITHOUT A NUMBER INDICATES OPEN TERMINAL POSITION																								
											80																								
MX123 CONN ASSY 80 CKT GRY OPT0 KEY H/22	345661613	C-HSG-H0	G-CAP-0-P	TPA-H0		LS	MAL	CPA	MSEAL	RSEAL	80	-	-	-	-	-	-	-	-	-	67	-	-	-	-	62	-	SALEABLE		345650003					
											-	-	-	-	-	55	54	-	52	51	-	49	48	47	46	45	-	-	42	-					
											-	-	-	-	-	36	-	-	-	-	31	-	-	28	-	-	25	-	-	-	-				
											-	-	-	-	-	16	15	-	-	-	-	-	-	7	-	-	4	-	-	1	-				
MX123 CONN ASSY 80 CKT BLU OPT9 KEY G/80	345661903	C-HSG-G9	G-CAP-9-P	TPA-G9		LS	MAL	CPA	MSEAL	RSEAL	-	-	-	-	-	-	-	-	-	-	-	-	-	-	-	-	-	-	-	-	SALEABLE		345650003		
											-	-	-	-	-	-	-	-	-	-	-	-	-	-	-	-	-	-	-	-					
											-	-	-	-	-	-	-	-	-	-	-	-	-	-	-	-	-	-	-	-					
											-	-	-	-	-	-	-	-	-	-	-	-	-	-	-	-	-	-	-	-					
MX123 CONN ASSY 80 CKT GRY OPT9 KEY H/80	345662003	C-HSG-H9	G-CAP-9-P	TPA-H9		LS	MAL	CPA	MSEAL	RSEAL	-	-	-	-	-	-	-	-	-	-	-	-	-	-	-	-	-	-	-	-	SALEABLE		345650003		
											-	-	-	-	-	-	-	-	-	-	-	-	-	-	-	-	-	-	-	-					
											-	-	-	-	-	-	-	-	-	-	-	-	-	-	-	-	-	-	-	-					
											-	-	-	-	-	-	-	-	-	-	-	-	-	-	-	-	-	-	-	-					
MX123 CONN ASSY 80 CKT GRY OPT0 KEY H/35	345662063	C-HSG-H0	G-CAP-0-P	TPA-H0		LS	MAL	CPA	MSEAL	RSEAL	80	79	-	77	76	75	74	73	-	-	-	-	-	67	-	-	-	-	62	-	SALEABLE		345650003		
											60	59	-	-	-	55	54	-	-	51	-	49	48	47	46	45	-	-	42	-					
											-	39	38	-	36	-	-	33	-	31	-	-	28	-	-	25	24	23	-	-					
											-	-	-	-	-	15	-	13	-	11	-	-	-	7	-	-	4	-	-	1	-				
MX123 CONN ASSY 80 CKT GRY OPT0 KEY H/38	345662073	C-HSG-H0	G-CAP-0-P	TPA-H0		LS	MAL	CPA	MSEAL	RSEAL	80	79	-	77	76	75	74	73	-	-	-	-	-	67	-	-	-	-	62	-	SALEABLE		345650003		
											60	59	-	-	-	55	54	-	-	51	-	49	48	47	46	45	-	-	42	-					
											-	39	38	-	36	-	-	33	-	31	-	-	28	-	-	25	24	23	-	-					
											-	-	-	-	-	15	14	13	-	11	10	9	-	7	-	-	4	-	-	1	-				
MX123 CONN ASSY 80 CKT GRY OPT0 KEY H/34	345662083	C-HSG-H0	G-CAP-0-P	TPA-H0		LS	MAL	CPA	MSEAL	RSEAL	80	79	-	77	76	75	74	73	-	-	-	-	-	67	-	-	-	-	62	-	SALEABLE		345650003		
											60	59	-	-	-	55	54	-	-	-	-	49	48	47	46	45	-	-	42	-					
											-	39	38	-	36	-	-	33	-	31	-	-	28	-	-	25	24	23	-	-					
											-	-	-	-	-	15	14	13	-	11	10	9	-	-	-	4	-	-	-	-					
MX123 CONN ASSY 80 CKT GRY OPT0 KEY H/20	345662113	C-HSG-H0	G-CAP-0-P	TPA-H0		LS	MAL	CPA	MSEAL	RSEAL	80	-	-	-	-	-	-	-	-	-	-	-	-	67	-	-	-	-	62	-	SALEABLE		345650003		
											-	-	-	-	-	-	54	-	-	51	-	49	48	47	46	45	-	-	-	-					
											-	-	-	-	-	36	-	-	-	-	31	-	-	28	-	-	25	24	23	-	-				
											-	-	-	-	-	15	-	-	-	-	-	-	-	7	-	-	4	-	-	1	-				
MX123 CONN ASSY 80 CKT GRY OPT0 KEY H/24	345662123	C-HSG-H0	G-CAP-0-P	TPA-H0		LS	MAL	CPA	MSEAL	RSEAL	80	-	-	-	-	-	-	-	-	-	-	-	-	67	-	-	-	-	62	-	SALEABLE		345650003		
											-	-	-	-	-	-	54	-	-	51	-	49	48	47	46	45	-	-	-	-					
											-	-	-	-	-	36	-	-	-	-	31	-	-	28	-	-	25	24	23	-	-				
											-	-	-	-	-	15	14	-	-	11	10	9	-	7	-	-	4	-	-	1	-				
MX123 CONN ASSY 80 CKT GRY OPT9 KEY H/22	345662213	C-HSG-H9	G-CAP-9-P	TPA-H9		LS	MAL	CPA	MSEAL	RSEAL	80	-	-	-	-	-	-	-	-	-	-	-	-	67	-	-	-	-	62	-	SALEABLE		345650003		
											-	-	-	-	-	55	54	-	52	51	-	49	48	47	46	45	-	-	42	-					
											-	-	-	-	-	36	-	-	-	-	31	-	-	28	-	-	25	-	-	-	-				
											-	-	-	-	-	16	15	-	-	-	-	-	-	7	-	-	4	-	-	1	-				
MX123 CONN ASSY 80 CKT GRY OPT0 KEY H/20	345662243	C-HSG-H0	G-CAP-0-P	TPA-H0		LS	MAL	CPA	MSEAL	RSEAL	80	-	-	-	-	-	-	-	-	-	-	-	-	67	-	-	-	-	62	-	SALEABLE		345650003		
											-	-	-	-	-	55	54	-	-	51	-	49	48	47	46	45	-	-	42	-					
											-	-	-	-	-	36	-	-	-	-	31	-	-	28	-	-	25	-	-	-	-				
											-	-	-	-	-	15	-	-	-	-	-	-	-	7	-	-	4	-	-	1	-				
MX123 CONN ASSY 80 CKT GRY OPT0 KEY H/29	345662663	C-HSG-H0	G-CAP-0-P	TPA-H0		LS	MAL	CPA	MSEAL	RSEAL	80	-	-	-	-	-	-	-	-	-	-	-	-	67	-	-	-	-	62	-	SALEABLE		345650003		
											-	-	-	-	-	55	54	-	52	51	-	49	48	47	46	45	-	-	42	-					
											-	-	-	-	-	36	-	-	33	-	31	-	-	28	-	-	25	24	23	-	-				
											-	-	-	-	-	16	15	14	-	-	11	10	9	-	7	-	-	4	-	-	1	-			
MX123 CONN ASSY 80 CKT GRY OPT0 KEY H/27	345662673	C-HSG-H0	G-CAP-0-P	TPA-H0		LS	MAL	CPA	MSEAL	RSEAL	80	-	-	-	-	-	-	-	-	-	-	-	-	67	-	-	-	-	62	-	SALEABLE		345650003		
											-	-	-	-	-	55	54	-	-	51	-	49	48	47	46	45	-	-	42	-					
											-	-	-	-	-	36	-	-	33	-	31	-	-	28	-	-	25	24	23	-	-				
											-	-	-	-	-	15	14	-	-	11	10	9	-	7	-	-	4	-	-	1	-				

Table with columns: ASSEMBLY DESCRIPTION, ASSEMBLY PART NUMBER, CONNECTOR HOUSING, GROMMET CAP, TPA, RIGHT SLIDE, LEFT SLIDE, MATE ASSIST LEVER, CPA, MAT SEAL, RING SEAL, BLOCKED TERMINALS (Cavity with/without number), STATUS, COMMENTS, INTEGRAL COMPONENTS SOLD SEPARATELY DRESS COVER. Rows include various assembly descriptions like MX123 CONN ASSY 80 CKT GRY OPT0 KEY H/28, etc.

ASSEMBLY DESCRIPTION	ASSEMBLY PART NUMBER	CONNECTOR HOUSING	GROMMET CAP	TPA	RIGHT SLIDE	LEFT SLIDE	MATE ASSIST LEVER	CPA	MAT SEAL	RING SEAL	BLOCKED TERMINALS																				STATUS	COMMENTS	INTEGRAL COMPONENTS SOLD SEPARATELY DRESS COVER
											CAVITY WITH A NUMBER INDICATES BLOCKED TERMINAL POSITION CAVITY WITHOUT A NUMBER INDICATES OPEN TERMINAL POSITION																						
											80	-	-	-	-	-	-	-	-	-	-	-	-	-	-	-	-	-	-	-			
MX123 CONN ASSY 80 CKT GRY OPT0 KEY H/25	345664503	C-HSG-H0	G-CAP-0-P	TPA-H0		LS	MAL	CPA	MSEAL	RSEAL	-	-	-	-	-	-	-	-	-	-	-	-	-	-	-	67	-	-	-	-	62	-	
											-	-	-	-	-	55	54	-	52	51	-	49	48	47	46	45	-	-	42	-			
											-	-	-	-	36	-	-	-	-	31	-	-	28	-	-	25	-	-	-	-			
											-	-	-	-	16	15	14	-	-	-	10	9	-	7	-	-	4	-	-	1			
MX123 CONN ASSY 80 CKT BLU OPT0 KEY G/42	345664523	C-HSG-G0	G-CAP-0-P	TPA-G0		LS	MAL	CPA	MSEAL	RSEAL	80	79	-	-	76	-	-	73	-	71	-	-	68	-	66	-	-	-	-	61			
											-	59	-	-	56	-	-	53	-	-	-	48	-	46	-	44	43	42	41				
											-	39	-	-	36	35	34	33	32	-	30	29	28	-	-	-	-	23	22	21			
											-	19	-	-	16	15	14	13	12	11	-	-	-	7	-	-	4	-	-	-			
MX123 CONN ASSY 80 CKT GRY OPT0 KEY H/28	345664603	C-HSG-H0	G-CAP-0-P	TPA-H0		LS	MAL	CPA	MSEAL	RSEAL	80	-	-	-	-	-	-	-	-	-	-	-	-	-	67	-	-	-	-	62	-		
											-	-	-	-	-	55	54	-	52	51	-	49	48	47	46	45	-	-	42	-			
											-	-	-	-	36	-	-	-	-	31	-	-	28	-	-	25	24	23	-	-			
											-	-	-	-	16	15	14	-	-	11	10	9	-	7	-	-	4	-	-	1			
MX123 CONN ASSY 80 CKT GRY OPT0 KEY H/22	345665003	C-HSG-H0	G-CAP-0-P	TPA-H0		LS	MAL	CPA	MSEAL	RSEAL	80	-	-	-	-	-	-	-	-	-	-	-	-	-	67	-	-	-	-	62	-		
											-	-	-	-	-	55	54	-	51	-	49	48	47	46	45	-	-	42	-				
											-	-	-	-	36	-	-	-	-	31	-	-	28	-	-	25	24	23	-	-			
											-	-	-	-	-	15	-	-	-	-	-	-	-	7	-	-	4	-	-	1			
MX123 CONN ASSY 80 CKT GRY OPT9 KEY H/71	345665063	C-HSG-H9	G-CAP-9-P	TPA-H9		LS	MAL	CPA	MSEAL	RSEAL	-	-	-	-	-	-	-	-	-	-	-	-	-	-	-	-	-	-	-				
											-	-	-	-	-	-	-	-	-	-	-	-	-	-	-	-	-	-	-				
											-	-	-	-	36	-	-	-	-	31	-	-	28	-	-	25	-	-	-	-			
											-	-	-	-	16	15	-	-	-	-	-	-	-	7	-	-	4	-	-	1			
MX123 CONN ASSY 80 CKT BLU OPT0 KEY G/47	345665323	C-HSG-G0	G-CAP-0-P	TPA-G0		LS	MAL	CPA	MSEAL	RSEAL	-	79	-	-	76	-	-	-	-	71	-	-	68	-	66	-	-	-	-	61			
											-	59	-	-	56	-	-	53	-	-	-	48	-	46	-	44	43	42	41				
											-	39	-	-	36	35	34	-	-	-	30	29	28	-	-	-	-	23	22	21			
											-	19	-	-	16	15	14	13	12	11	-	-	-	7	-	-	-	-	-	-			
MX123 CONN ASSY 80 CKT GRY OPT0 KEY H/32	345665843	C-HSG-H0	G-CAP-0-P	TPA-H0		LS	MAL	CPA	MSEAL	RSEAL	80	-	78	77	76	75	-	-	-	-	70	69	-	-	66	-	-	-	-	-			
											60	-	58	-	56	55	-	53	-	51	50	49	48	47	46	45	44	43	-	-			
											40	39	-	37	36	35	-	-	32	31	30	-	28	-	26	-	24	23	22	21			
											20	19	-	17	16	-	-	13	12	-	-	-	-	-	6	5	4	3	2	1			
MX123 CONN ASSY 80 CKT GRY OPT0 KEY H/32	345665853	C-HSG-H0	G-CAP-0-P	TPA-H0		LS	MAL	CPA	MSEAL	RSEAL	80	-	78	77	76	75	-	-	-	-	70	69	-	-	66	-	-	-	-	-			
											60	-	58	-	56	55	-	53	-	51	50	49	48	47	46	45	44	-	-				
											40	39	-	37	36	35	34	-	32	31	30	-	28	-	26	-	24	23	22	21			
											20	19	-	17	16	-	-	13	12	-	-	-	-	-	6	5	4	3	2	1			
MX123 CONN ASSY 80 CKT GRY OPT0 KEY H/26	345666603	C-HSG-H0	G-CAP-0-P	TPA-H0		LS	MAL	CPA	MSEAL	RSEAL	80	-	-	-	-	-	-	-	-	-	-	-	-	67	-	-	-	-	62	-			
											-	-	-	-	-	55	54	-	51	-	49	48	47	46	45	-	-	42	-				
											-	-	-	-	36	-	-	-	-	31	-	-	28	-	-	25	24	23	-	-			
											-	-	-	-	-	15	14	-	-	11	10	9	-	7	-	-	4	-	-	1			
MX123 CONN ASSY 80 CKT GRY OPT0 KEY H/24	345666703	C-HSG-H0	G-CAP-0-P	TPA-H0		LS	MAL	CPA	MSEAL	RSEAL	80	-	-	-	-	-	-	-	-	-	-	-	-	-	67	-	-	-	-	62	-		
											-	-	-	-	-	55	54	-	52	51	-	49	48	47	46	45	-	-	42	-			
											-	-	-	-	36	-	-	-	-	31	-	-	28	-	-	25	24	23	-	-			
											-	-	-	-	16	15	-	-	-	-	-	-	-	7	-	-	4	-	-	1			
MX123 CONN ASSY 80 CKT GRY OPT0 KEY H/29	345666723	C-HSG-H0	G-CAP-0-P	TPA-H0		LS	MAL	CPA	MSEAL	RSEAL	80	-	78	77	76	75	-	-	72	71	70	69	68	-	66	-	-	-	-	-			
											60	-	58	57	56	55	54	-	-	51	50	49	48	47	46	45	-	-	-				
											40	39	-	37	36	35	34	-	32	31	30	29	28	-	26	-	24	23	22	21			
											20	19	-	17	16	-	-	-	-	11	-	-	-	-	6	5	4	3	2	1			
MX123 CONN ASSY 80 CKT BLU OPT0 KEY G/40	345666733	C-HSG-G0	G-CAP-0-P	TPA-G0		LS	MAL	CPA	MSEAL	RSEAL	80	79	-	-	76	-	-	73	-	71	-	-	69	68	67	66	65	-	-	62	61		
											-	59	-	-	56	-	-	53	-	-	-	48	-	46	-	44	43	42	41				
											-	-	-	-	36	35	34	-	-	-	30	29	28	-	-	25	24	23	22	21			
											-	-	-	-	16	15	14	13	12	11	-	-	-	7	-	5	-	-	-	-			

ASSEMBLY DESCRIPTION	ASSEMBLY PART NUMBER	CONNECTOR HOUSING	GROMMET CAP	TPA	RIGHT SLIDE	LEFT SLIDE	MATE ASSIST LEVER	CPA	MAT SEAL	RING SEAL	BLOCKED TERMINALS																				STATUS	COMMENTS	INTEGRAL COMPONENTS SOLD SEPARATELY DRESS COVER
											CAVITY WITH A NUMBER INDICATES BLOCKED TERMINAL POSITION CAVITY WITHOUT A NUMBER INDICATES OPEN TERMINAL POSITION																						
											80	79	-	-	-	75	74	73	72	71	70	69	68	-	-	-	64	63	62	61			
MX123 CONN ASSY 80 CKT BLU OPT0 KEY G/30	345666993	C-HSG-G0	G-CAP-0-P	TPA-G0		LS	MAL	CPA	MSEAL	RSEAL	60	59	58	57	56	55	54	53	52	51	50	49	48	47	46	45	44	43	42	41	SALEABLE		345650003
MX123 CONN ASSY 80 CKT BLU OPT9 KEY G/39	345667113	C-HSG-G9	G-CAP-9-P	TPA-G9		LS	MAL	CPA	MSEAL	RSEAL	-	-	-	77	-	75	74	73	72	-	70	69	68	-	66	65	64	63	62	61	SALEABLE		345650003
MX123 CONN ASSY 80 CKT BLU OPT9 KEY G/37	345667123	C-HSG-G9	G-CAP-9-P	TPA-G9		LS	MAL	CPA	MSEAL	RSEAL	-	-	-	77	76	75	74	73	72	-	70	69	68	-	66	65	64	63	62	61	SALEABLE		345650003
MX123 CONN ASSY 80 CKT BLU OPT9 KEY G/33	345667323	C-HSG-G9	G-CAP-9-P	TPA-G9		LS	MAL	CPA	MSEAL	RSEAL	80	79	78	77	76	75	74	-	72	71	70	69	-	-	66	65	-	-	62	61	SALEABLE		345650003
MX123 CONN ASSY 80 CKT BLU OPT0 KEY G/48	345667533	C-HSG-G0	G-CAP-0-P	TPA-G0		LS	MAL	CPA	MSEAL	RSEAL	-	-	-	77	76	75	74	73	72	-	-	69	68	-	66	65	64	63	62	61	SALEABLE		345650003
MX123 CONN ASSY 80 CKT GRY OPT9 KEY H/47	345667613	C-HSG-H9	G-CAP-9-P	TPA-H9		LS	MAL	CPA	MSEAL	RSEAL	-	-	58	-	56	55	-	53	52	-	-	-	-	-	46	-	-	43	-	-	SALEABLE		345650003
MX123 CONN ASSY 80 CKT BLU OPT9 KEY G/49	345667623	C-HSG-G9	G-CAP-9-P	TPA-G9		LS	MAL	CPA	MSEAL	RSEAL	-	-	-	77	76	-	74	73	72	-	-	69	68	-	66	65	64	63	62	61	SALEABLE		345650003
MX123 CONN ASSY 80 CKT BLU OPT9 KEY G/50	345667913	C-HSG-G9	G-CAP-9-P	TPA-G9		LS	MAL	CPA	MSEAL	RSEAL	-	-	-	77	76	-	74	73	72	-	-	69	68	-	66	65	64	63	62	-	SALEABLE		345650003
MX123 CONN ASSY 80 CKT GRY OPT0 KEY H/33	345668103	C-HSG-H0	G-CAP-0-P	TPA-H0		LS	MAL	CPA	MSEAL	RSEAL	80	79	-	77	76	75	74	73	-	-	-	-	-	67	-	-	-	-	62	-	SALEABLE		345650003
MX123 CONN ASSY 80 CKT BLU OPT0 KEY G/32	345668123	C-HSG-G0	G-CAP-0-P	TPA-G0		LS	MAL	CPA	MSEAL	RSEAL	60	-	58	57	56	55	54	-	-	51	50	49	48	47	-	45	-	43	-	-	SALEABLE		345650003
MX123 CONN ASSY 80 CKT BLU OPT0 KEY G/49	345668133	C-HSG-G0	G-CAP-0-P	TPA-G0		LS	MAL	CPA	MSEAL	RSEAL	-	-	-	76	-	74	73	-	-	-	-	-	-	67	-	65	64	63	62	61	SALEABLE		345650003
MX123 CONN ASSY 80 CKT BLU OPT0 KEY G/78	345668143	C-HSG-G0	G-CAP-0-P	TPA-G0		LS	MAL	CPA	MSEAL	RSEAL	-	-	-	-	-	-	-	-	-	71	-	-	-	-	-	-	-	-	-	-	SALEABLE		345650003

ASSEMBLY DESCRIPTION	ASSEMBLY PART NUMBER	CONNECTOR HOUSING	GROMMET CAP	TPA	RIGHT SLIDE	LEFT SLIDE	MATE ASSIST LEVER	CPA	MAT SEAL	RING SEAL	BLOCKED TERMINALS																				STATUS	COMMENTS	INTEGRAL COMPONENTS SOLD SEPARATELY DRESS COVER
											CAVITY WITH A NUMBER INDICATES BLOCKED TERMINAL POSITION CAVITY WITHOUT A NUMBER INDICATES OPEN TERMINAL POSITION																						
											80	79	78	77	76	75	74	73	72	-	70	69	68	67	66	65	64	63	62	61			
MX123 CONN ASSY 80 CKT GRY OPT9 KEY H/2	345668183	C-HSG-H9	G-CAP-9-P	TPA-H9		LS	MAL	CPA	MSEAL	RSEAL	80	79	78	77	76	75	74	73	72	-	70	69	68	67	66	65	64	63	62	61			
											60	59	58	57	56	55	54	53	52	51	50	-	48	47	46	45	44	43	42	41			
											40	39	38	37	36	35	34	33	32	31	30	29	28	27	26	25	24	23	22	21			
											20	19	18	17	16	15	14	13	12	11	10	9	8	7	6	5	4	3	2	1			
MX123 CONN ASSY 80 CKT BLU OPT0 KEY G/45	345668193	C-HSG-G0	G-CAP-0-P	TPA-G0		LS	MAL	CPA	MSEAL	RSEAL	80	-	-	-	-	-	-	73	72	-	70	69	68	-	66	-	64	-	62	61			
											-	-	-	-	-	-	-	53	-	51	50	49	48	-	46	-	44	-	42	41			
											-	39	-	-	36	35	34	-	-	-	-	-	28	-	-	25	24	23	22	21			
											-	19	-	-	16	15	14	13	12	-	-	-	-	-	-	-	-	-	-	-			
MX123 CONN ASSY 80 CKT GRY OPT0 KEY H/30	345668213	C-HSG-H0	G-CAP-0-P	TPA-H0		LS	MAL	CPA	MSEAL	RSEAL	80	79	78	77	76	75	-	-	72	71	70	69	68	-	66	-	-	-	-	-			
											60	59	58	57	56	55	54	-	-	51	50	49	48	47	46	45	-	-	-	-			
											40	39	-	37	36	35	34	-	32	31	30	29	28	-	26	-	24	23	22	21			
											-	19	18	17	-	-	-	-	-	11	-	-	-	7	-	-	4	3	-	1			
MX123 CONN ASSY 80 CKT BLU OPT9 KEY G/45	345668233	C-HSG-G9	G-CAP-9-P	TPA-G9		LS	MAL	CPA	MSEAL	RSEAL	80	79	78	-	-	-	-	-	71	-	-	-	67	-	-	-	-	-	-				
											60	59	58	57	-	-	54	-	-	51	50	49	48	47	-	-	44	-	-	41			
											40	39	-	-	-	-	-	33	32	-	30	29	28	27	-	25	24	-	-	-			
											-	-	18	-	-	-	-	12	11	-	9	8	-	-	5	-	3	2	-				
MX123 CONN ASSY 80 CKT BLU OPT9 KEY G/43	345668243	C-HSG-G9	G-CAP-9-P	TPA-G9		LS	MAL	CPA	MSEAL	RSEAL	80	79	78	-	76	-	-	-	71	-	-	-	67	-	-	-	-	-	-				
											60	59	58	57	-	-	54	-	-	51	50	49	48	47	-	-	44	-	-	41			
											40	39	-	37	-	-	-	33	32	-	30	29	28	27	-	25	24	-	-	-			
											-	-	18	-	-	-	-	12	11	-	9	8	-	-	5	-	3	2	-				
MX123 CONN ASSY 80 CKT BLU OPT9 KEY G/43	345668253	C-HSG-G9	G-CAP-9-P	TPA-G9		LS	MAL	CPA	MSEAL	RSEAL	80	79	78	-	-	-	-	-	71	-	-	-	67	-	-	-	-	-	-				
											60	59	58	57	-	-	54	-	-	51	50	49	48	47	-	-	44	-	-	41			
											40	39	-	-	-	-	-	33	32	-	30	29	28	27	-	25	24	-	-	-			
											20	19	18	-	-	-	-	12	11	-	9	8	-	-	5	-	3	2	-				
MX123 CONN ASSY 80 CKT BLU OPT9 KEY G/41	345668263	C-HSG-G9	G-CAP-9-P	TPA-G9		LS	MAL	CPA	MSEAL	RSEAL	80	79	78	-	76	-	-	-	71	-	-	-	67	-	-	-	-	-	-				
											60	59	58	57	-	-	54	-	-	51	50	49	48	47	-	-	44	-	-	41			
											40	39	-	37	-	-	-	33	32	-	30	29	28	27	-	25	24	-	-	-			
											20	19	18	-	-	-	-	12	11	-	9	8	-	-	5	-	3	2	-				
MX123 CONN ASSY 80 CKT BLU OPT9 KEY G/35	345668273	C-HSG-G9	G-CAP-9-P	TPA-G9		LS	MAL	CPA	MSEAL	RSEAL	-	-	-	77	76	75	74	73	72	-	70	69	68	-	66	65	64	63	62	61			
											-	-	-	-	56	55	-	53	52	-	-	-	-	46	45	-	43	42	-				
											-	-	38	37	36	35	34	-	-	31	-	-	-	26	-	-	23	22	21				
											20	19	-	17	16	15	14	13	-	-	10	-	-	7	6	-	4	-	-	1			
MX123 CONN ASSY 80 CKT BLU OPT9 KEY G/37	345668283	C-HSG-G9	G-CAP-9-P	TPA-G9		LS	MAL	CPA	MSEAL	RSEAL	-	-	-	77	-	75	74	73	72	-	70	69	68	-	66	65	64	63	62	61			
											-	-	-	-	56	55	-	53	52	-	-	-	-	46	45	-	43	42	-				
											-	-	38	-	36	35	34	-	-	31	-	-	-	26	-	-	23	22	21				
											20	19	-	17	16	15	14	13	-	-	10	-	-	7	6	-	4	-	-	1			
MX123 CONN ASSY 80 CKT GRY OPT0 KEY H/13	345668433	C-HSG-H0	G-CAP-0-P	TPA-H0		LS	MAL	CPA	MSEAL	RSEAL	80	-	-	-	-	-	-	-	72	71	70	-	68	67	66	65	64	63	62	-			
											60	59	58	57	56	55	54	53	52	51	50	49	48	47	46	45	44	43	42	41			
											40	39	38	37	36	35	34	33	32	31	30	29	28	27	26	25	24	23	22	21			
											-	19	18	17	16	15	14	13	12	11	10	-	8	7	6	-	4	3	2	-			
MX123 CONN ASSY 80 CKT GRY OPT0 KEY H/31	345668903	C-HSG-H0	G-CAP-0-P	TPA-H0		LS	MAL	CPA	MSEAL	RSEAL	80	79	-	77	76	75	74	73	72	-	-	-	-	-	-	-	-	62	-				
											60	59	-	-	-	55	54	-	-	-	-	49	48	47	46	45	-	-	42	-			
											-	39	38	-	36	-	-	-	-	31	-	-	28	-	-	25	24	23	-	-			
											-	-	-	-	-	15	-	13	-	11	-	-	-	-	-	-	4	-	-	-			
MX123 CONN ASSY 80 CKT BLU OPT0 KEY G/42	345669123	C-HSG-G0	G-CAP-0-P	TPA-G0		LS	MAL	CPA	MSEAL	RSEAL	80	79	-	-	-	-	-	73	-	71	-	69	68	67	66	65	-	-	62	61			
											-	59	-	-	-	-	-	53	-	-	-	-	48	-	46	-	44	43	42	41			
											-	-	-	-	36	35	34	-	-	-	30	29	28	-	-	25	24	23	22	21			
											-	-	-	-	16	15	14	13	12	11	-	-	-	7	-	5	-	-	-	-			

ASSEMBLY DESCRIPTION	ASSEMBLY PART NUMBER	CONNECTOR HOUSING	GROMMET CAP	TPA	RIGHT SLIDE	LEFT SLIDE	MATE ASSIST LEVER	CPA	MAT SEAL	RING SEAL	BLOCKED TERMINALS																				STATUS	COMMENTS	INTEGRAL COMPONENTS SOLD SEPARATELY DRESS COVER																																														
											CAVITY WITH A NUMBER INDICATES BLOCKED TERMINAL POSITION CAVITY WITHOUT A NUMBER INDICATES OPEN TERMINAL POSITION																																																																				
											1	2	3	4	5	6	7	8	9	10	11	12	13	14	15	16	17	18	19	20			21	22	23	24	25	26	27	28	29	30	31	32	33	34	35	36	37	38	39	40	41	42	43	44	45	46	47	48	49	50	51	52	53	54	55	56	57	58	59	60	61	62	63	64	65	66	67
MX123 CONN ASSY 80 CKT BLU OPT9 KEY G/36	345669283	C-HSG-G9	G-CAP-9-P	TPA-G9		LS	MAL	CPA	MSEAL	RSEAL	-	-	-	77	76	75	74	73	72	-	70	69	68	-	66	65	64	63	62	61	SALEABLE		345650003																																														
MX123 CONN ASSY 80 CKT BLU OPT9 KEY G/38	345669293	C-HSG-G9	G-CAP-9-P	TPA-G9		LS	MAL	CPA	MSEAL	RSEAL	-	-	-	-	56	55	-	53	52	-	-	-	-	-	46	45	-	43	42	-	SALEABLE		345650003																																														
MX123 CONN ASSY 80 CKT BLU OPT9 KEY G/10	345669373	C-HSG-G9	G-CAP-9-P	TPA-G9		LS	MAL	CPA	MSEAL	RSEAL	-	79	78	77	76	75	74	73	72	-	70	69	68	67	-	65	-	63	62	61	SALEABLE		345650003																																														
MX123 CONN ASSY 80 CKT GRY OPT9 KEY H/0	345669413	C-HSG-H9	G-CAP-9-P	TPA-H9		LS	MAL	CPA	MSEAL	RSEAL	80	79	78	77	76	75	74	73	72	71	70	69	68	67	66	65	64	63	62	61	SALEABLE		345650003																																														
MX123 CONN ASSY 80 CKT BLU OPT0 KEY G/34	345669463	C-HSG-G0	G-CAP-0-P	TPA-G0		LS	MAL	CPA	MSEAL	RSEAL	-	-	-	77	76	-	74	73	72	71	70	69	68	67	-	-	-	63	62	61	SALEABLE		345650003																																														
MX123 CONN ASSY 80 CKT BLU OPT0 KEY G/36	345669473	C-HSG-G0	G-CAP-0-P	TPA-G0		LS	MAL	CPA	MSEAL	RSEAL	-	-	-	77	76	-	74	73	72	71	70	69	68	67	-	-	-	63	-	61	SALEABLE		345650003																																														
MX123 CONN ASSY 80 CKT BLU OPT0 KEY G/33	345669483	C-HSG-G0	G-CAP-0-P	TPA-G0		LS	MAL	CPA	MSEAL	RSEAL	-	-	-	77	76	-	74	73	72	71	70	69	68	67	-	-	-	63	62	61	SALEABLE		345650003																																														
MX123 CONN ASSY 80 CKT BLU OPT0 KEY G/33	345669493	C-HSG-G0	G-CAP-0-P	TPA-G0		LS	MAL	CPA	MSEAL	RSEAL	-	-	-	77	76	-	74	73	72	71	70	69	68	67	-	-	64	63	62	61	SALEABLE		345650003																																														
MX123 CONN ASSY 80 CKT BLU OPT0 KEY G/59	345669513	C-HSG-G0	G-CAP-0-P	TPA-G0		LS	MAL	CPA	MSEAL	RSEAL	-	-	-	-	-	-	-	-	-	-	-	-	-	-	-	-	-	-	-	-	SALEABLE		345650003																																														
MX123 CONN ASSY 80 CKT BLU OPT0 KEY G/37	345669523	C-HSG-G0	G-CAP-0-P	TPA-G0		LS	MAL	CPA	MSEAL	RSEAL	-	-	-	77	76	-	74	73	72	71	70	69	68	67	-	-	-	63	-	61	SALEABLE		345650003																																														
MX123 CONN ASSY 80 CKT BLU OPT9 KEY G/8	345669653	C-HSG-G9	G-CAP-9-P	TPA-G9		LS	MAL	CPA	MSEAL	RSEAL	-	79	78	77	76	75	74	73	72	71	70	69	68	67	-	-	64	63	62	61	SALEABLE		345650003																																														
MX123 CONN ASSY 80 CKT BLU OPT0 KEY G/35	345669763	C-HSG-G0	G-CAP-0-P	TPA-G0		LS	MAL	CPA	MSEAL	RSEAL	80	79	-	-	-	75	74	73	72	71	70	69	68	-	-	-	64	63	62	61	SALEABLE		345650003																																														

MX123 52/66/73/80-WAY RECEPTACLE ASSY SEALED PIN OUT SHEET

UNCHECKED cavity number(s) are OPEN																							
72	71	70	69	68	67	66	65	64	63	62	61	60	59	58	57	56	55	54	53				
<input checked="" type="checkbox"/>	<input checked="" type="checkbox"/>	<input checked="" type="checkbox"/>	<input type="checkbox"/>	<input type="checkbox"/>	<input type="checkbox"/>	<input checked="" type="checkbox"/>	<input type="checkbox"/>	<input type="checkbox"/>	<input checked="" type="checkbox"/>	<input checked="" type="checkbox"/>	<input checked="" type="checkbox"/>	<input checked="" type="checkbox"/>	<input checked="" type="checkbox"/>	<input type="checkbox"/>	<input checked="" type="checkbox"/>	<input checked="" type="checkbox"/>	<input checked="" type="checkbox"/>	<input checked="" type="checkbox"/>	<input checked="" type="checkbox"/>	<input checked="" type="checkbox"/>	<input checked="" type="checkbox"/>	<input checked="" type="checkbox"/>	
52	51	50	49	48	47	46	45	44	43	42	41	40	39	38	37	36	35	34	33				
<input checked="" type="checkbox"/>	<input checked="" type="checkbox"/>	<input checked="" type="checkbox"/>	<input checked="" type="checkbox"/>	<input checked="" type="checkbox"/>	<input checked="" type="checkbox"/>	<input checked="" type="checkbox"/>	<input type="checkbox"/>	<input type="checkbox"/>	<input checked="" type="checkbox"/>	<input checked="" type="checkbox"/>	<input checked="" type="checkbox"/>	<input checked="" type="checkbox"/>	<input checked="" type="checkbox"/>	<input checked="" type="checkbox"/>	<input checked="" type="checkbox"/>	<input checked="" type="checkbox"/>	<input checked="" type="checkbox"/>	<input checked="" type="checkbox"/>	<input checked="" type="checkbox"/>	<input checked="" type="checkbox"/>	<input checked="" type="checkbox"/>	<input checked="" type="checkbox"/>	
			32	31	30	29	28	27	26	25	24	23	22	21	20	19	18	17					
			<input type="checkbox"/>	<input checked="" type="checkbox"/>	<input type="checkbox"/>	<input type="checkbox"/>	<input type="checkbox"/>	<input type="checkbox"/>	<input checked="" type="checkbox"/>	<input checked="" type="checkbox"/>	<input checked="" type="checkbox"/>	<input checked="" type="checkbox"/>	<input checked="" type="checkbox"/>	<input checked="" type="checkbox"/>	<input checked="" type="checkbox"/>	<input checked="" type="checkbox"/>	<input checked="" type="checkbox"/>	<input checked="" type="checkbox"/>	<input checked="" type="checkbox"/>	<input checked="" type="checkbox"/>	<input checked="" type="checkbox"/>	<input checked="" type="checkbox"/>	
73																							
<input checked="" type="checkbox"/>	16	15	14	13	12	11	10	9	8	7	6	5	4	3	2	1							
<input checked="" type="checkbox"/>	<input checked="" type="checkbox"/>	<input type="checkbox"/>	<input checked="" type="checkbox"/>	<input type="checkbox"/>	<input checked="" type="checkbox"/>	<input checked="" type="checkbox"/>	<input type="checkbox"/>	<input checked="" type="checkbox"/>	<input checked="" type="checkbox"/>	<input checked="" type="checkbox"/>	<input checked="" type="checkbox"/>	<input checked="" type="checkbox"/>	<input checked="" type="checkbox"/>	<input checked="" type="checkbox"/>	<input checked="" type="checkbox"/>	<input checked="" type="checkbox"/>	<input checked="" type="checkbox"/>	<input checked="" type="checkbox"/>	<input checked="" type="checkbox"/>	<input checked="" type="checkbox"/>	<input checked="" type="checkbox"/>		

FOR ADDITIONAL INFORMATION SEE SD-34566-001

STATUS	GM PART #	HRNS CONN ASSY			TPA	GROMMET CAP																							
		MATERIAL/PART	WIRE DRESS OPTION	KEY OPTION	COLOR OPTION	NUMBERS INDICATE CAVITIES OPEN FOR CIRCUITS																							
		NUMBER		OPTION ▽ Fp	OPTION ▽ Fp	▽ Fp																							
SALEABLE	12672860	34566-0103	0	A	BLACK																								
SALEABLE	12672862	34566-0203	0	B	ST GRY	72	71	70	69	68	67	66	65	64	63	62	61	60	59	58	57	56	55	54	53				
SALEABLE	12672864	34566-0303	0	C	BLUE	52	51	50	49	48	47	46	45	44	43	42	41	40	39	38	37	36	35	34	33				
TOOL DES. REL.	12615660	34566-0403	0	D	BROWN	73				32	31	30	29	28	27	26	25	24	23	22	21	20	19	18	17				
TOOL DES. REL.	12615661	34566-0503	0	E	GREEN	73				16	15	14	13	12	11	10	9	8	7	6	5	4	3	2	1				
SALEABLE	12672866	34566-0603	0	F	NATURAL																								
SALEABLE	12672872	34566-0703	0	G	BLUE																								
SALEABLE	12672870	34566-0803	0	H	ST GRY	80	79	78	77	76	75	74	73	72	71	70	69	68	67	66	65	64	63	62	61				
TOOL DES. REL.	12672868	34566-0903	0	J	BLACK	60	61	62	63	64	65	66	67	68	69	70	71	72	73	74	75	76	77	78	79				
TOOL DES. REL.	TBD	34566-1003	0	K	BROWN	40	39	38	37	36	35	34	33	32	31	30	29	28	27	26	25	24	23	22	21				
TOOL DES. REL.	TBD	34566-1103	0	L	GREEN	20	19	18	17	16	15	14	13	12	11	10	9	8	7	6	5	4	3	2	1				
TOOL DES. REL.	TBD	34566-1203	0	M	NATURAL																								
SALEABLE	12672861	34566-1303	9	A	BLACK																								
SALEABLE	12672863	34566-1403	9	B	ST GRY	72	71	70	69	68	67	66	65	64	63	62	61	60	59	58	57	56	55	54	53				
SALEABLE	12672865	34566-1503	9	C	BLUE	52	51	50	49	48	47	46	45	44	43	42	41	40	39	38	37	36	35	34	33				
TOOL DES. REL.	12615663	34566-1603	9	D	BROWN	73				32	31	30	29	28	27	26	25	24	23	22	21	20	19	18	17				
TOOL DES. REL.	12615664	34566-1703	9	E	GREEN	73				16	15	14	13	12	11	10	9	8	7	6	5	4	3	2	1				
SALEABLE	12672867	34566-1803	9	F	NATURAL																								
SALEABLE	12672873	34566-1903	9	G	BLUE																								
SALEABLE	12672871	34566-2003	9	H	ST GRY	80	79	78	77	76	75	74	73	72	71	70	69	68	67	66	65	64	63	62	61				
TOOL DES. REL.	12672869	34566-2103	9	J	BLACK	60	61	62	63	64	65	66	67	68	69	70	71	72	73	74	75	76	77	78	79				
TOOL DES. REL.	TBD	34566-2203	9	K	BROWN	40	39	38	37	36	35	34	33	32	31	30	29	28	27	26	25	24	23	22	21				
TOOL DES. REL.	TBD	34566-2303	9	L	GREEN	20	19	18	17	16	15	14	13	12	11	10	9	8	7	6	5	4	3	2	1				
TOOL DES. REL.	TBD	34566-2403	9	M	NATURAL																								
SALEABLE	12672856	34822-0013	0	A	BLACK	64	63	62	61	60	59	58	57	56	55	54	53	52	51	50	49	66							
						48	47	46	45	44	43	42	41	40	39	38	37	36	35	34	33								
SALEABLE	12672858	34822-0033	0	C	BLUE	65				32	31	30	29	28	27	26	25	24	23	22	21	20	19	18	17				
						65				16	15	14	13	12	11	10	9	8	7	6	5	4	3	2	1				
SALEABLE	12672857	34822-0023	9	A	BLACK	64	63	62	61	60	59	58	57	56	55	54	53	52	51	50	49	66							
						48	47	46	45	44	43	42	41	40	39	38	37	36	35	34	33								
SALEABLE	12672859	34822-0043	9	C	BLUE	65				32	31	30	29	28	27	26	25	24	23	22	21	20	19	18	17				
						65				16	15	14	13	12	11	10	9	8	7	6	5	4	3	2	1				

MX123 52/66/73/80-WAY RECEPTACLE ASSY SEALED PIN OUT SHEET

STATUS	GM PART #	HRNS CONN ASSY				TPA	GROMMET CAP																																																																					
		MATERIAL/PART	WIRE DRESS OPTION	KEY OPTION ▽ Fp	COLOR OPTION ▽ Fp	NUMBERS INDICATE CAVITIES OPEN FOR CIRCUITS																																																																						
		NUMBER				▽ Fp																																																																						
TOOL DES. REL.	12672852	160094-0001	0	A	BLACK	<table border="1"> <tr> <td rowspan="2">52</td> <td>14</td><td>13</td><td>12</td><td>11</td><td>10</td><td>9</td><td>8</td><td>7</td><td>6</td><td>5</td><td>4</td><td>3</td> <td rowspan="2">2</td> </tr> <tr> <td>26</td><td>25</td><td>24</td><td>23</td><td>22</td><td>21</td><td>20</td><td>19</td><td>18</td><td>17</td><td>16</td><td>15</td> </tr> <tr> <td rowspan="2">51</td> <td>38</td><td>37</td><td>36</td><td>35</td><td>34</td><td>33</td><td>32</td><td>31</td><td>30</td><td>29</td><td>28</td><td>27</td> <td rowspan="2">1</td> </tr> <tr> <td>50</td><td>49</td><td>48</td><td>47</td><td>46</td><td>45</td><td>44</td><td>43</td><td>42</td><td>41</td><td>40</td><td>39</td> </tr> </table>																52	14	13	12	11	10	9	8	7	6	5	4	3	2	26	25	24	23	22	21	20	19	18	17	16	15	51	38	37	36	35	34	33	32	31	30	29	28	27	1	50	49	48	47	46	45	44	43	42	41	40	39			
52	14	13	12	11	10																		9	8	7	6	5	4	3	2																																														
	26	25	24	23	22																	21	20	19	18	17	16	15																																																
51	38	37	36	35	34																	33	32	31	30	29	28	27	1																																															
	50	49	48	47	46																	45	44	43	42	41	40	39																																																
TOOL DES. REL.	N/A	160094-0002	0	B	ST GRY																																																																							
TOOL DES. REL.	12672854	160094-0003	0	C	BLUE																																																																							
TOOL DES. REL.	N/A	160094-0004	0	D	BROWN																																																																							
TOOL DES. REL.	N/A	160094-0005	0	E	GREEN																																																																							
TOOL DES. REL.	N/A	160094-0006	0	F	NATURAL																																																																							
TOOL DES. REL.	12672853	160094-0013	9	A	BLACK	<table border="1"> <tr> <td rowspan="2">52</td> <td>14</td><td>13</td><td>12</td><td>11</td><td>10</td><td>9</td><td>8</td><td>7</td><td>6</td><td>5</td><td>4</td><td>3</td> <td rowspan="2">2</td> </tr> <tr> <td>26</td><td>25</td><td>24</td><td>23</td><td>22</td><td>21</td><td>20</td><td>19</td><td>18</td><td>17</td><td>16</td><td>15</td> </tr> <tr> <td rowspan="2">51</td> <td>38</td><td>37</td><td>36</td><td>35</td><td>34</td><td>33</td><td>32</td><td>31</td><td>30</td><td>29</td><td>28</td><td>27</td> <td rowspan="2">1</td> </tr> <tr> <td>50</td><td>49</td><td>48</td><td>47</td><td>46</td><td>45</td><td>44</td><td>43</td><td>42</td><td>41</td><td>40</td><td>39</td> </tr> </table>																52	14	13	12	11	10	9	8	7	6	5	4	3	2	26	25	24	23	22	21	20	19	18	17	16	15	51	38	37	36	35	34	33	32	31	30	29	28	27	1	50	49	48	47	46	45	44	43	42	41	40	39			
52	14	13	12	11	10																		9	8	7	6	5	4	3	2																																														
	26	25	24	23	22																	21	20	19	18	17	16	15																																																
51	38	37	36	35	34																	33	32	31	30	29	28	27	1																																															
	50	49	48	47	46																	45	44	43	42	41	40	39																																																
TOOL DES. REL.	N/A	160094-0014	9	B	ST GRY																																																																							
TOOL DES. REL.	12672855	160094-0015	9	C	BLUE																																																																							
TOOL DES. REL.	N/A	160094-0016	9	D	BROWN																																																																							
TOOL DES. REL.	N/A	160094-0017	9	E	GREEN																																																																							
TOOL DES. REL.	N/A	160094-0018	9	F	NATURAL																																																																							
NA	NA	NA	NA	NA	NA	<table border="1"> <tr> <td colspan="16">73</td> </tr> </table>																73																																																						
73																																																																												
SALEABLE	NOT APPLICABLE	34566-2503	0	A	BLACK	72	71	69	68	67	66	64	63	62	59	56	53	50	48	46	44	43	42	39	36	35	33	73				32	30	29	27	23	20	17	14	13	12	11	9	8	5	4	3	2	1																											
SALEABLE	NOT APPLICABLE	34566-2603	0	B	ST GRY	73				49	48	47	67	66	65	44	39	37	35	33	49	48	47	29	28	23	21	7	59	57	55	53	50	49	48	47	65	44	39	37	35	33																																		
SALEABLE	NOT APPLICABLE	34566-2703	0	B	ST GRY	73				49	48	47	65	59	57	55	53	49	48	47	29	28	23	21	7	59	57	55	53	50	49	48	47	65	44	39	37	35	33																																					
SALEABLE	TBD	34566-2803	0	H	ST GRY	73																																																																						
SALEABLE	NOT APPLICABLE	34566-2903	0	A	BLACK	72	71	70	69	68	67	66	64	63	62	61	59	55	54	53	52	51	49	48	44	43	42	41	39	35	34	33	73				32	31	29	27	25	23	19	18	17	16	15	14	13	12	11	9	8	7	6	5	4	3	2	1																
SALEABLE	NOT APPLICABLE	34566-3003	0	A	BLACK	72	71	70	69	68	67	66	64	63	62	60	59	58	57	56	55	54	53	52	51	50	49	48	47	46	44	43	42	41	40	39	38	37	36	35	34	33	73				32	31	30	29	28	27	25	24	23	22	21	20	19	18	17	16	15	14	13	12	11	9	8	7	6	5	4	3	2	1
SALEABLE	NOT APPLICABLE	34566-3103	0	B	ST GRY	73				49	48	46	65	62	59	57	55	53	49	48	46	29	26	23	21	18	39	37	35	33	50	49	48	46	67	42	39	37	35	33	15	9	8	7	4	3																														
SALEABLE	NOT APPLICABLE	34566-3203	0	B	ST GRY	73				50	49	48	67	60	59	58	57	56	55	53	50	49	48	29	23	22	21	18	39	38	37	35	34	33	16	15	14	7	6	5	4	3																																		
SALEABLE	NOT APPLICABLE	34566-3303	0	B	ST GRY	73				50	49	48	65	59	58	57	56	55	53	50	49	48	29	23	22	21	18	39	38	37	35	34	33	16	15	14	7	6	5	4	3																																			
SALEABLE	NOT APPLICABLE	34566-3403	SEE 34566-3003			73																																																																						
SALEABLE	NOT APPLICABLE	34566-3503	0	A	BLACK	72	71	69	68	67	66	64	63	62	60	59	35	33	52	49	48	46	44	43	42	40	39	24	23	17	73				32	29	27	24	23	14	13	12	11	9	8	7	6	5	4	3	2	1																								

MX123 52/66/73/80-WAY RECEPTACLE ASSY SEALED PIN OUT SHEET

STATUS	GM PART #	HRNS CONN ASSY			TPA	GROMMET CAP																					
		MATERIAL/PART	WIRE DRESS OPTION	KEY OPTION Fp	COLOR OPTION Fp	NUMBERS INDICATE CAVITIES OPEN FOR CIRCUITS																					
		NUMBER				Fp																					
SALEABLE	NOT APPLICABLE	34566-3603	0	B	ST GRY					68				64					59		57		55		53		
								49	48		46							39		37				35		33	
						73				32			29						23		21					18	
SALEABLE	NOT APPLICABLE	34566-3703	0	A	BLACK					68	67	66	65					59				55		53			
								49	48	47			44				39					35		33			
						73							29	28				23									
SALEABLE	NOT APPLICABLE	34566-3803	0	A	BLACK	72	71		69	68	67	66		64	63	62		59				56		53			
								50		48		46		44	43	42		39				36	35		33		
						73				32			30	29			27		23				20			17	
SALEABLE	NOT APPLICABLE	34566-3903	0	B	ST GRY									65					59		57		55		53		
								49	48		46		44				39		37			35		33			
						73							29	28				24	23		21						
SALEABLE	NOT APPLICABLE	34566-4003	0	B	ST GRY						67	66		64	63			59		57		55		53			
								50	49	48				43			39		37			35		33			
						73				32			29			27		24	23		21				18		
SALEABLE	NOT APPLICABLE	34566-4103	0	A	BLACK	72	71		69	68	67	66		64	63	62		59				56		53			
						52			49	48		46	45	44	43	42		40	39				35		33		
						73				32			29			27	26		24	23						17	
SALEABLE	NOT APPLICABLE	34566-4203	0	B	ST GRY									64				59		57		55		53			
								50	49	48		46					39		37			35		33			
						73				32			29					24	23		21				18		
SALEABLE	NOT APPLICABLE	34566-4303	0	A	BLACK			70	69	68	67		65	64	63		61		59	58	57	56					
								50	49	48	47					41			38	37	36			34	33		
						73				32	31	30	29	28	27			24	23			20	19	18			1
SALEABLE	NOT APPLICABLE	34566-4403	0	A	BLACK	72	71	70	69	68	67	66	65	64	63		61		59	58	57	56					
								50	49	48	47					41			38	37	36			34	33		
						73				32	31	30	29	28	27			24	23			20	19	18			
SALEABLE	NOT APPLICABLE	34566-4503	0	H	ST GRY		79	78	77	76	75	74	73	72	71	70	69	68		66	65	64	63		61		
						60	59	58	57	56				53			50						44	43		41	
						40	39	38	37		35	34	33	32			30	29		27	26			24	23	22	21
SALEABLE	NOT APPLICABLE	34566-4603	0	H	ST GRY		79	78	77	76	75	74	73	72	71	70	69	68		66	65	64	63		61		
						60	59	58	57	56				53			50						44	43		41	
						40	39	38	37		35	34	33	32			30	29		27	26				22	21	
SALEABLE	NOT APPLICABLE	34566-4703	0	B	ST GRY						67	66	65	64				59	58	57		55		53			
								49	48	47			44				39	38	37			35		33			
						73							29					23	22	21							
SALEABLE	NOT APPLICABLE	34566-4803	0	A	BLACK	72	71		69	68	67	66		64	63	62	61		59						53		
									48					44		42	41		39					35		33	
						73				32			29			27		25		23							17
SALEABLE	NOT APPLICABLE	34566-4903	0	A	BLACK	72	71	70	69	68		66	65	64	63	62	61		59	58	57	56	55		53		
						52	51	50	49		47			44	43		41			38	37	36	35	34		33	
						73				32	31	30	29	28	27			24	23			20	19	18	17		
SALEABLE	NOT APPLICABLE	34566-5003	0	H	ST GRY		79	78	77	76	75	74	73	72	71	70	69	68		66	65	64	63		61		
						60	59	58	57	56				53	52		50						44	43		41	
						40	39	38	37		35	34	33	32			30	29		27	26				22	21	
SALEABLE	NOT APPLICABLE	34566-5003	0	H	ST GRY			79	78	77	76	75	74	73	72	71	70	69	68		66	65	64	63		61	
						60	59	58	57	56				53	52		50							44	43		41
						40	39	38	37		35	34	33	32			30	29		27	26					22	21



MX123 52/66/73/80-WAY RECEPTACLE ASSY SEALED PIN OUT SHEET

STATUS	GM PART #	HRNS CONN ASSY			TPA	GROMMET CAP																									
		MATERIAL/PART	WIRE DRESS OPTION	KEY OPTION		COLOR OPTION	NUMBERS INDICATE CAVITIES OPEN FOR CIRCUITS																								
		NUMBER		▽ Fp	▽ Fp		▽ Fp																								
SALEABLE	NOT APPLICABLE	34566-5103	0	B	ST GRAY							67	66	65						59		57			55			53			
									49	48	47	46				44							39		37			35			33
						73										29	28							23		21					
SALEABLE	NOT APPLICABLE	34566-5203	0	A	BLACK	72	71		69	68	67	66		64	63	62					59	58	57	56			54	53			
						52	51	50	49	48	47	46		44	43	42						39	38	37	36	35	34	33			
						73					32	31	30	29		27				24	23	22	21	20	19			17			1
SALEABLE	NOT APPLICABLE	34566-5303	0	B	ST GRAY									65	64						59		57			55		53			
									50	49	48		46										39		37			35		33	
						73								32			29							23		21					
SALEABLE	NOT APPLICABLE	34566-5403	0	B	ST GRAY															59	58	57	56	55			53				
									50	49	48		46	45									39	38	37		35	34	33		
						73										29								23	22	21			18		
SALEABLE	NOT APPLICABLE	34566-5503	0	A	BLACK	72	71		69	68	67	66		64	63	62					59										
						52			49	48		46		44	43	42							39					35		33	
						73					32			29		27	26			24	23									17	
SALEABLE	NOT APPLICABLE	34566-5603	SEE 34566-2503																												
SALEABLE	NOT APPLICABLE	34566-5703	0	B	ST GRAY							68									59		57			55		53			
									49	48		46											39		37			35		33	
						73											29							23		21				18	17
SALEABLE	NOT APPLICABLE	34566-5803	0	B	ST GRAY															59		57			55		53				
									49	48	47												39		37			35		33	
						73											29							23		21					17
SALEABLE	NOT APPLICABLE	34566-5903	0	A	BLACK	72	71		69	68	67	66		64	63	62					59								53		
									49	48				44	43	42							39					35		33	
						73					32			29		27								23						17	
SALEABLE	NOT APPLICABLE	34566-6003	0	B	ST GRAY							67	66	65							59		57			55		53			
									49	48	47												39		37			35		33	
						73											29							23		21					
SALEABLE	NOT APPLICABLE	34566-6103	0	B	ST GRAY							67	66	65							59		57			55		53			
									49	48	47												39		37			35		33	
						73											29			26				23		21					
SALEABLE	NOT APPLICABLE	34566-6203	0	A	BLACK		71	70	69	68				65	64	63					59		57	56					53		
						52	51	50	49			47											39		37	36		34	33		
						73					32	31	30	29	28	27					24	23				20	19	18			1
SALEABLE	NOT APPLICABLE	34566-6303	0	A	BLACK		71	70	69	68				65	64	63					59		57	56					53		
						52	51	50	49			47											39		37	36		34	33		
						73					32	31	30	29	28	27					24	23				20	19	18			1
SALEABLE	NOT APPLICABLE	34566-6403	0	A	BLACK		71		69	68				65	64	63					59	58		56					53		
						52		50	49			47											39		37	36		34	33		
						73					32	31	30	29	28	27					24	23				20	19	18			1
SALEABLE	NOT APPLICABLE	34566-6503	0	A	BLACK		71		69	68				65	64	63					59	58		56					53		
						52		50	49			47											39		37	36		34	33		
						73					32	31	30	29	28	27					24	23				20	19	18			1

STATUS	GM PART #	HRNS CONN ASSY			TPA	GROMMET CAP																								
		MATERIAL/PART	WIRE DRESS OPTION	KEY OPTION ▽ Fp		COLOR OPTION ▽ Fp	NUMBERS INDICATE CAVITIES OPEN FOR CIRCUITS ▽ Fp																							
		NUMBER																												
SALEABLE	NOT APPLICABLE	34566-6603	0	H	ST GRAY	79	78	77	76	75	74	73	72	71	70	69	68	66	65	64	63	61								
						60	59	58	57	56	53	52	50	27	26	44	43	22	21											
						40	39	38	37	35	34	33	32	30	29	8	6	5	3	2										
						20	19	18	17	16	13	12	11	10	9	8	6	5	3	2										
SALEABLE	NOT APPLICABLE	34566-6703	0	H	ST GRAY	79	78	77	76	75	74	73	72	71	70	69	68	66	65	64	63	61								
						60	59	58	57	56	53	50	27	26	44	43	22	21												
						40	39	38	37	35	34	33	32	30	29	8	6	5	3	2										
						20	19	18	17	14	13	12	11	10	9	8	6	5	3	2										
SALEABLE	NOT APPLICABLE	34566-6803	0	B	ST GRAY	65	49	48	46	44	29	28	23	21	59	57	55	53												
						73	64	39	37	35	33	7																		
						73	64	39	37	35	33	7																		
						73	64	39	37	35	33	7																		
SALEABLE	NOT APPLICABLE	34566-6903	0	B	ST GRAY	67	66	49	48	46	29	28	23	21	59	57	55	53												
						73	64	39	37	35	33	7																		
						73	64	39	37	35	33	7																		
						73	64	39	37	35	33	7																		
SALEABLE	NOT APPLICABLE	34566-7003	0	B	ST GRAY	50	49	48	47	15	13	12	8	7	6	5	4	3	59	57	56	55	53							
						73	29	23	21	18	17																			
						73	29	23	21	18	17																			
						73	29	23	21	18	17																			
SALEABLE	NOT APPLICABLE	34566-7103	0	A	BLACK	72	71	70	69	68	67	66	64	63	62	60	59	55	54	53										
						52	49	48	44	43	42	40	39	35	34	33														
						73	32	29	28	27	24	23	19	18	17															
						73	16	13	12	11	9	8	7	6	5	4	3	2	1											
SALEABLE	NOT APPLICABLE	34566-7203	0	B	ST GRAY	72	71	70	69	68	67	66	65	64	63	62	60	59	55	54	53									
						52	49	48	44	43	42	39	35	34	33															
						73	32	29	27	24	23	20	19	18	17															
						73	16	13	12	11	9	8	7	6	5	4	3	2	1											
SALEABLE	NOT APPLICABLE	34566-7303	0	B	ST GRAY	69	68	49	48	46	29	28	23	21	59	57	55	53												
						73	44	39	37	35	33	7																		
						73	44	39	37	35	33	7																		
						73	44	39	37	35	33	7																		
SALEABLE	NOT APPLICABLE	34566-7403	0	B	ST GRAY	50	49	48	46	29	23	21	59	57	55	53														
						73	64	39	37	35	33	7																		
						73	64	39	37	35	33	7																		
						73	64	39	37	35	33	7																		
SALEABLE	NOT APPLICABLE	34566-7503	0	A	BLACK	72	71	70	69	68	67	66	64	63	62	60	59	58	57	56	55	54	53							
						52	51	50	49	48	47	46	44	43	42	40	39	38	37	36	35	34	33							
						73	32	31	30	29	28	27	24	23	22	21	20	19	18	17										
						73	16	15	14	13	12	11	9	8	7	6	5	4	3	2	1									
SALEABLE	NOT APPLICABLE	34566-7603	0	B	ST GRAY	69	68	49	48	46	29	28	23	21	59	57	55	53												
						73	44	39	37	35	33	7																		
						73	44	39	37	35	33	7																		
						73	44	39	37	35	33	7																		
SALEABLE	NOT APPLICABLE	34566-7703	0	A	BLACK	72	71	70	69	68	67	66	64	63	62	60	59	55	54	53										
						52	49	48	44	43	42	40	39	35	34	33														
						73	32	29	27	24	23	19	18	17																
						73	16	13	12	11	9	8	7	6	5	4	3	2	1											
SALEABLE	NOT APPLICABLE	34566-7803	0	A	BLACK	72	71	70	69	68	66	64	63	62	61	60	59	58	57	56	55	54	53							
						52	49	48	46	44	43	42	40	39	35	34	33													
						73	32	29	28	27	24	23	19	18	17															
						73	16	14	13	12	11	9	8	7	6	3	2	1												
SALEABLE	NOT APPLICABLE	34566-7903	0	B	ST GRAY	64	42	39	37	35	33	7																		
						73	64	39	37	35	33	7																		
						73	64	39	37	35	33	7																		
						73	64	39	37	35	33	7																		
SALEABLE	NOT APPLICABLE	34566-8003	0	A	BLACK	69	68	50	49	48	47	15	13	12	11	10	9	8	7	6	5	4	3	59	58	57	56	55	54	53
						73	32	31	30	29	28	27	24	23	20	19	18	17												
						73	32	31	30	29	28	27	24	23	20	19	18	17												
						73	16	13	12	11	10	9	8	7	6	3	2	1												



MX123 52/66/73/80-WAY RECEPTACLE ASSY SEALED PIN OUT SHEET

STATUS	GM PART #	HRNS CONN ASSY			TPA	GROMMET CAP																						
		MATERIAL/PART	WIRE DRESS OPTION	KEY OPTION ▽ Fp	COLOR OPTION ▽ Fp	NUMBERS INDICATE CAVITIES OPEN FOR CIRCUITS ▽ Fp																						
		NUMBER																										
SALEABLE	NOT APPLICABLE	34566-8103	0	H	ST GRAY			78					72	71	70	69	68		66	65	64	63		61				
						60	59	58	57	56			53	52		50								44	43		41	
						40			37		35	34	33	32		30	29		27	26		24				22	21	
						20	19	18	17	16				13	12					8		6	5			3	2	
SALEABLE	NOT APPLICABLE	34566-8203	0	A	BLACK							67	66					58		56	55	54						
										47			44	43	42	41		39		37	36		34					
						73				31	30			27		25	24				21	20	19	18				
														13							6	5	4	3				1
SALEABLE	NOT APPLICABLE	34566-8303	0	A	BLACK	72	71		69	68	67	66		64	63	62		59	58	57	56		54	53				
						52	51	50	49	48	47	46		44	43	42		39	38	37	36	35	34	33				
						73				32	31	30	29		27			24	23	22	21	20	19		17			
											15	14	13	12	11		9	8	7	6	5	4	3	2	1			
SALEABLE	NOT APPLICABLE	34566-8403	0	B	ST GRAY								65	64				59		57		55	53					
								50	49	48		46						39		37		35		33				
						73				32			29					24	23		21							
												15							7	6	5	4	3					
SALEABLE	NOT APPLICABLE	34566-8503	0	B	ST GRAY	72	71	70	69	68	67	66	65	64	63	62		60	59				55	54	53			
						52			49	48			44	43	42				39				35	34	33			
						73				32			29		27			24	23				19	18	17			
													13	12	11		9	8	7	6	5	4	3	2	1			
SALEABLE	NOT APPLICABLE	34566-8603	0	A	BLACK				69	68		66					59		57		55		53					
								49	48		46		44				39	38	37		35		33					
						73						29	28					23		21				18	17			
													12	11	10				7									
SALEABLE	NOT APPLICABLE	34566-8703	0	B	ST GRAY				69	68		66				59		57		55		53						
								50	49	48	47		44				39		37		35		33					
						73						29	28					23		21								
												15			12	11	10			7	6	5	4	3				
SALEABLE	NOT APPLICABLE	34566-8803	0	B	ST GRAY					68	67	66	65				59	58	57			54	53					
							51	50	49	48		46	45		43	42		40	39	38	37				33			
						73				32	31	30					26		24	23	22		20					
											16			13				10	9	8	7	6	5	4				
SALEABLE	NOT APPLICABLE	34566-8903	0	H	ST GRAY			78							71	70	69	68	67	66	65	64	63	61				
								58	57	56			53	52		51	50							44	43		41	
						40			37		35	34	33	32		30	29		27	26						22	21	
						20	19	18	17	16		14			12		10	9	8	7	6	5			3	2	1	
SALEABLE	NOT APPLICABLE	34566-9003	0	B	ST GRAY				69	68		66				59		57		55		53						
								49	48		46		44				39		37		35		33					
						73						29	28					23		21					18			
															11	10				7								
SALEABLE	NOT APPLICABLE	34566-9103	0	A	BLACK					68			65		63		61		59	58		56		53				
						52	51	50			47					41			38	37	36	35	34	33				
						73				32	31	30	29	28	27		25	24	23	22	21	20	19	18	17			
											16	15	14	13	12	11	10	9										1
SALEABLE	NOT APPLICABLE	34566-9203	0	A	BLACK	72	71	70	69	68	67	66		64	63	62		60	59				55	54	53			
						52			49	48			44	43	42		40	39	38			35	34	33				
						73						30	29	28	27			24	23			19	18	17				
												16			13	12	11		9	8	7	6	5	4	3	2	1	
SALEABLE	NOT APPLICABLE	34566-9303	0	A	BLACK	72	71		69	68	67	66		64	63	62		59	58	57	56	55	54	53				
						52	51	50	49	48	47	46		44	43	42		39	38	37	36	35	34	33				
						73				32	31	30	29		27			24	23	22	21	20	19		17			
												15	14	13	12	11		9	8	7	6	5	4	3	2	1		
SALEABLE	NOT APPLICABLE	34566-9403	0	B	ST GRAY					68	67	66	65				59	58	57			54	53					
							51	50	49	48		46	45		43	42	41	40	39	38	37		35		33			
						73				32	31	30					26		24	23	22		20					
												16			13			10	9	8	7	6	5	4				
SALEABLE	NOT APPLICABLE	34566-9503	0	A	BLACK	72	71	70	69	68			65	64	63		61		59	58	57	56						
						52	51		49		47					41			38	37	36		34	33				
						73				32	31	30	29	28	27			24	23			20	19	18	17			
												16			13	12	11	10	9									1

MX123 52/66/73/80-WAY RECEPTACLE ASSY SEALED PIN OUT SHEET

STATUS	GM PART #	HRNS CONN ASSY			TPA	GROMMET CAP																							
		MATERIAL/PART	WIRE DRESS OPTION	KEY OPTION Fp	COLOR OPTION Fp	NUMBERS INDICATE CAVITIES OPEN FOR CIRCUITS																							
		NUMBER				Fp																							
SALEABLE	NOT APPLICABLE	34566-9603	0	A	BLACK	52	71	70	69	68		66	65	64	63		61		59	58	57	56							
								50	49		47							24	23					20	19	18	17		
						73			32	31	30	29	28	27															1
SALEABLE	NOT APPLICABLE	34566-9703	0	A	BLACK	72	71	70	69	68			65	64	63		61		59		57	56							
						52	51	50	49		47							41				38	37	36			34	33	
						73			32	31	30	29	28	27					24	23					20	19	18		
SALEABLE	NOT APPLICABLE	34566-9803	0	A	BLACK	72	71	70	69	68			65	64	63		61		59		57	56							
						52	51	50	49		47							41				38	37	36			34	33	
						73			32	31	30	29	28	27					24	23					20	19	18		
SALEABLE	NOT APPLICABLE	34566-9903	0	A	BLACK	72	71	70	69	68			65	64	63		61		59	58	57	56							
						52	51	50	49		47							41				38	37	36			34	33	
						73			32	31	30	29	28	27					24	23					20	19	18	17	
SALEABLE	NOT APPLICABLE	34566-1013	0	A	BLACK	72	71	70	69	68			65	64	63		61		59	58	57	56							
						52	51	50	49		47							41				38	37	36			34	33	
						73			32	31	30	29	28	27					24	23					20	19	18	17	
SALEABLE	NOT APPLICABLE	34566-1023	0	A	BLACK	72	71	70	69	68			65	64	63		61		59	58	57	56							
						52	51	50	49		47							41				38	37	36			34	33	
						73			32	31	30	29	28	27					24	23					20	19	18	17	
SALEABLE	NOT APPLICABLE	34566-1033	0	A	BLACK	72	71	70	69	68			65	64	63		61		59	58	57	56							
						52	51	50	49		47							41				38	37	36			34	33	
						73			32	31	30	29	28	27					24	23					20	19	18	17	
SALEABLE	NOT APPLICABLE	34566-1043	0	B	ST GRAY	72	71	70	69	68			65	64	63		61		59	58	57	56							
						52	51	50	49		47							41	40	39	38	37	36	35			54	53	
						73			32	31	30								24	23	22				20				
SALEABLE	NOT APPLICABLE	34566-1053	0	H	ST GRAY	72	71	70	69	68			65	64	63		61		59	58	57	56							
						60	59	58	57	56								50						44	43			41	
						40	39	38	37		35	34	33	32				30	29			27	26					22	21
SALEABLE	NOT APPLICABLE	34566-1063	0	B	ST GRAY	72	71	70	69	68			65	64	63		61		59	58	57	56							
						40	39	38	37		35	34	33	32				30	29			27	26					22	21
						73			32	31	30								24	23	22				20				
SALEABLE	NOT APPLICABLE	34566-1073	0	A	BLACK	72	71	70	69	68			65	64	63		61		59	58	57	56							
						40	39	38	37		35	34	33	32				30	29			27	26					22	21
						73			32	31	30	29	28	27	26				24	23					20	19	18		
SALEABLE	NOT APPLICABLE	34566-1083	0	B	ST GRAY	72	71	70	69	68			65	64	63		61		59	58	57	56							
						40	39	38	37		35	34	33	32				30	29			27	26					22	21
						73			32	31	30								24	23	22				20				
SALEABLE	NOT APPLICABLE	34566-1093	0	A	BLACK	72	71	70	69	68			65	64	63		61		59	58	57	56							
						40	39	38	37		35	34	33	32				30	29			27	26					22	21
						73			32	31	30								24	23	22				20	19	18		
SALEABLE	NOT APPLICABLE	34566-1123	0	H	ST GRAY	72	71	70	69	68			65	64	63		61		59	58	57	56							
						40	39	38	37		35	34	33	32				30	29			27	26					22	21
						73			32	31	30								24	23	22				20	19	18		
SALEABLE	NOT APPLICABLE	34566-1133	0	A	BLACK	72	71	70	69	68			65	64	63		61		59	58	57	56							
						40	39	38	37		35	34	33	32				30	29			27	26					22	21
						73			32	31	30								24	23	22				20	19	18		

MX123 52/66/73/80-WAY RECEPTACLE ASSY SEALED PIN OUT SHEET

STATUS	GM PART #	HRNS CONN ASSY			TPA	GROMMET CAP																							
		MATERIAL/PART	WIRE DRESS OPTION	KEY OPTION Fp	COLOR OPTION Fp	NUMBERS INDICATE CAVITIES OPEN FOR CIRCUITS																							
		NUMBER				Fp																							
SALEABLE	NOT APPLICABLE	34566-1143	0	A	BLACK	52		50		68			65		63		61		59	58		56			53				
										47												38	37		36	35		34	33
						73			32	31	30	29	28	27		25	24	23	22	21	20	19	18	17				1	
SALEABLE	NOT APPLICABLE	34566-1153	0	A	BLACK			70				67	66	65						58	57		55						
								49				47			44	43	42	41		39		37							
						73			32		30			27		25	24	23		21	20	19	18					1	
SALEABLE	NOT APPLICABLE	34566-1163	0	H	ST GRAY			78						72	71	70	69	68		66	65	64	63		61				
						60	59	58	57	56			53	52		50								44	43		41		
						40			37		35	34		32		30	29		27	26							22	21	
SALEABLE	NOT APPLICABLE	34566-1173	0	A	BLACK	20	19	18	17	16			13	12				8		6	5		3	2					
						72	71		69	68			65	64	63	62	61	60	59	58		56		54					
						52		50	49	48	47		45			42	41		39	38	37	36		34	33				
SALEABLE	NOT APPLICABLE	34566-1183	0	B	ST GRAY	73			32	31	30	29	28	27	26		24	23											
SALEABLE	NOT APPLICABLE	34566-1193	0	A	BLACK				49	48	47			44		42				39		37		35		33			
						73							29	28							23		21					17	
SALEABLE	NOT APPLICABLE	34566-1213	0	A	BLACK	72	71		69	68	67	66		64	63	62		60	59						54	53			
						52			49	48		46		44	43	42			39								34	33	
						73			32			29		27				23											17
SALEABLE	NOT APPLICABLE	34566-1223	0	B	ST GRAY	72	71		69	68	67	66		64	63	62		59							54	53			
						52			49	48		46		44	43	42			39								34	33	
						73			32			29		27				23											17
SALEABLE	NOT APPLICABLE	34566-1233	0	B	ST GRAY																								
						73																							
SALEABLE	NOT APPLICABLE	34566-1243	0	B	ST GRAY																								
						73																							
SALEABLE	NOT APPLICABLE	34566-1253	9	B	ST GRAY																								
						73																							
SALEABLE	NOT APPLICABLE	34566-1263	9	A	BLACK	NUMBERS IN BOLD MUST USE SAE WIRE MEETING SAE J1128, WIRE SIZE (NO.20) OR (NO.18 MAX. O.D. OF 2.06 MM) PER G.M. DRAWING NUMBER 12582682.																							
						72	71		69	68	67	66		64	63	62		59				56					53		
								50		48		46		44	43	42			39				36	35					33
SALEABLE	NOT APPLICABLE	34566-1273	0	A	BLACK	73			32		30	29		27		24	23		20					17					
SALEABLE	NOT APPLICABLE	34566-1283	0	A	BLACK			70	69	68			65	64	63		61		59	58	57	56			54				
						52		50	49	48	47						41		39	38	37	36		34	33				
						73			32	31	30	29	28	27		25	24	23		21	20	19	18						1

MX123 52/66/73/80-WAY RECEPTACLE ASSY SEALED PIN OUT SHEET

STATUS	GM PART #	HRNS CONN ASSY			TPA	GROMMET CAP																						
		MATERIAL/PART	WIRE DRESS OPTION	KEY OPTION Fp	COLOR OPTION Fp	NUMBERS INDICATE CAVITIES OPEN FOR CIRCUITS																						
		NUMBER				Fp																						
SALEABLE	NOT APPLICABLE	34566-1293	0	A	BLACK	52		50		68			65		63		61		59	58		56			34	33		
						73				32	31	30	29	28	27			24	23					20	19	18	17	
						73				16			13	12	11	10	9											
SALEABLE	NOT APPLICABLE	34566-1313	0	H	ST GRAY	80		78						72	71	70	69	68		66	65	64	63		61			
								58	57	56	55	54	53									46		44	43	42		
						40			37		35				32			30	29			27	26					
SALEABLE	NOT APPLICABLE	34566-1323	0	A	BLACK	72	71	70	69	68	67	66	65	64	63	62		60	59	58	57	56	55	54	53			
						52	51	50	49	48	47	46	45	44	43	42	41	40	39	38	37	36	35	34	33			
						73				32	31	30	29	28	27			25	24	23	22	21	20	19	18	17		
SALEABLE	NOT APPLICABLE	34566-1333	0	A	BLACK			70	69	68			65	64					59	58		56						
						52		50	49		47						41				38	37	36			34		
						73				32	31	30	29	28	27					23					20	19	18	17
SALEABLE	NOT APPLICABLE	34566-1343	0	A	BLACK				69				65	64	63				59	58	57	56						
								50	49	48	47								41			38	37	36			34	
						73				32	31	30	29	28	27					23					20	19	18	17
SALEABLE	NOT APPLICABLE	34566-1353	0	H	ST GRAY		79	78	77	76	75	74	73	72	71	70	69	68		66	65	64	63		61			
						60	59	58	57	56			53				50							44	43		41	
						40	39	38	37		35	34			32			30	29			27	26					22
SALEABLE	NOT APPLICABLE	34566-1363	0	A	BLACK	72	71		69	68	67	66		64	63	62			59									
									48	47	46		44	43	42				39									33
						73				32			29		27				24	23								
SALEABLE	NOT APPLICABLE	34566-1373	0	B	ST GRAY							66	65			62			59		57		55		53			
									48		46				42			39			37		35				33	
						73							29			26			23			21						17
SALEABLE	NOT APPLICABLE	34566-1383	0	B	ST GRAY				49	48	47	46						59	58	57		55			53			
												29						23	22	21							33	
						73								12					7									17
SALEABLE	NOT APPLICABLE	34566-1393	0	A	BLACK			70			67	66				61			58	57		55	54					
									47		45	44	43	42	41		39		37								34	
						73				32		30			27			25	24			21	20	19	18			1
SALEABLE	NOT APPLICABLE	34566-1423	0	B	ST GRAY					68	67	66	65			61	60	59	58	57				54	53			
							51	50	49	48	47	46	45		43	42	41	40	39	38	37			35	34	33		
						73				32	31	30				26		24	23	22	21	20						
SALEABLE	NOT APPLICABLE	34566-1433	0	B	ST GRAY							66		64				59		57		55		53				
									49	48		46						39		37		35					33	
						73				32			29					23		21						18	17	
SALEABLE	NOT APPLICABLE	34566-1443	0	B	ST GRAY				69	68		66						59		57		55		53				
									49	48		46						39		37		35					33	
						73							29					23		21								17
SALEABLE	NOT APPLICABLE	34566-1453	0	B	ST GRAY				49	48	47			66	65	64		62		59		57		55	53			
												29	28		26			23		21							33	
						73								12			9		7									17
SALEABLE	NOT APPLICABLE	34566-1463	0	A	BLACK				69	68			65	64	63	62	61	60	59	58		56			34	33		
						52		50	49	48	47		45				41			38	37	36						
						73				32	31	30	29	28	27			24	23					20	19	18	17	

MX123 52/66/73/80-WAY RECEPTACLE ASSY SEALED PIN OUT SHEET

STATUS	GM PART #	HRNS CONN ASSY			TPA	GROMMET CAP																					
		MATERIAL/PART	WIRE DRESS OPTION	KEY OPTION Fp	COLOR OPTION Fp	NUMBERS INDICATE CAVITIES OPEN FOR CIRCUITS																					
		NUMBER				Fp																					
SALEABLE	NOT APPLICABLE	34566-1473	0	A	BLACK	72	71		69	68	67	66		64	63	62			59					54	53		
						52			49	48		46		44	43	42			39							34	33
						73						32			29		27			24	23						
SALEABLE	NOT APPLICABLE	34566-1483	0	A	BLACK	72	71		69	68				65	64	63		61		59	58		56				
						52		50	49		47						41			38	37	36			34	33	
						73				32	31	30	29	28	27			24	23			20	19	18	17		
SALEABLE	NOT APPLICABLE	34566-1493	0	B	ST GRAY					68								59	58	57		55		53			
									49	48		46							39	38	37		35		33		
						73							29					23	22	21			18	17			
SALEABLE	NOT APPLICABLE	34566-1513	0	B	ST GRAY								65					59		57		55		53			
									49	48		46						39	37	36		35		33			
						73						29						23	21				17				
SALEABLE	NOT APPLICABLE	34566-1523	0	A	BLACK			70	69	68			65	64				59	58		56		54				
						52		50	49		47					42	41		38	37	36		34				
						73				32	31	30	29	28	27	26			23			20	19	18	17		
SALEABLE	NOT APPLICABLE	34566-1533	0	A	BLACK																						
						52	51	50	49		47						41			38	37	36		34	33		
						73				32	31	30	29	28	27			24	23			20	19	18	17		
SALEABLE	NOT APPLICABLE	34566-1543	0	B	ST GRAY				69	68		66					59		57		55		53				
									49	48		46						39	37	36		35		33			
						73						29						23	21								
SALEABLE	12582677	34566-1553	0	A	BLACK																						
						73																					
TOOL DESIGN SALEABLE	NOT APPLICABLE	34566-1563	9	A	BLACK																						
73																											
TOOL DESIGN SALEABLE	NOT APPLICABLE	34566-1573	9	H	ST GRAY																						
73																											
SALEABLE	NOT APPLICABLE	34566-1583	0	A	BLACK			70			67	66	65				61		58	57		55	54				
									49		47		45	44	43	42	41		39		37		34				
						73				32		30			27		25	24			21	20	19	18	17		
SALEABLE	NOT APPLICABLE	34566-1593	0	B	ST GRAY					67		65				61	60	59	58	57		54	53				
							51	50	49	48	47	46	45		43	42		40	39		37		34	33			
						73				32	31	30			26		24	23	22	21	20						
SALEABLE	NOT APPLICABLE	34566-1613	0	H	ST GRAY		79	78	77	76	75	74	73	72	71	70	69	68		66	65	64	63		61		
						60	59	58	57	56			53			50							44	43		41	
						40	39	38	37		35	34	33	32		30	29		27	26			24	23	22	21	
						20	19	18	17			14	13	12	11	10	9	8		6	5			3	2		
SALEABLE	NOT APPLICABLE	34566-1623	0	B	ST GRAY					66	65				62		59		57		55		53				
									48	47				42		39		37		35		33					
						73						29			26			23	21								17
SALEABLE	NOT APPLICABLE	34566-1633	0	B	ST GRAY				69	68		66					59		57		55		53				
								50		48	47						39		37		35		33				
						73						29						23	21								17

MX123 52/66/73/80-WAY RECEPTACLE ASSY SEALED PIN OUT SHEET

STATUS	GM PART #	HRNS CONN ASSY			TPA	GROMMET CAP																						
		MATERIAL/PART	WIRE DRESS OPTION	KEY OPTION Fp	COLOR OPTION Fp	NUMBERS INDICATE CAVITIES OPEN FOR CIRCUITS																						
		NUMBER				Fp																						
SALEABLE	NOT APPLICABLE	34566-1643	0	B	ST GRAY				69	68		66							59		57		55		53			
								50		48		46							39		37		35		33			
						73						29						23		21							17	
SALEABLE	NOT APPLICABLE	34566-1653	0	B	ST GRAY							66						59		57		55		53				
								50		48		46						39		37		35		33				
						73						29						23		21							17	
SALEABLE	NOT APPLICABLE	34566-1663	0	B	ST GRAY							66						59		57		55		53				
								50		48		46						39		37		35		33				
						73						29						23		21							17	
SALEABLE	NOT APPLICABLE	34566-1673	0	A	BLACK	72	71	70	69	68	67	66	65	64	63	62		60	59					55	54	53		
						52			49	48			45	44	43	42	41	40	39							35	34	33
						73						29				27		25	24	23							19	18
SALEABLE	NOT APPLICABLE	34566-1683	0	B	ST GRAY							67	66			63			59	58	57	56	55		53			
								50	49	48					43				39	38	37	36	35		33			
						73						29				27			23	22	21							17
SALEABLE	NOT APPLICABLE	34566-1693	0	B	ST GRAY							66		64				59		57		55		53				
								49	48		46							39		37		35		33				
						73						29						23		21							17	
SALEABLE	NOT APPLICABLE	34566-1713	0	B	ST GRAY		71	70		68		66	65	64	63		60	59	58	57	56	55	54	53				
							51	50	49	48		46	45		43		41	40	39	38	37	36	35		33			
						73						32	31	30				24	23	22		20	19					
SALEABLE	NOT APPLICABLE	34566-1723	0	B	ST GRAY							67	66	65				59	58	57				54	53			
								51	50	49	48		46	45		43		41	40	39	38	37	36	35		33		
						73						32	31	30				24	23	22		20						
SALEABLE	NOT APPLICABLE	34566-1733	0	A	BLACK			70		68	67	66	65					58	57				55					
									49	48		47		44	43	42	41		39		37		35					
						73						32		30			27		25	24		21	20	19	18	17		
SALEABLE	NOT APPLICABLE	34566-1743	0	A	BLACK			70		67	66	65					58	57				55						
									49	48		47		44	43	42	41		39		37		35					
						73						32		30			27		25	24		21	20	19	18	17		
SALEABLE	NOT APPLICABLE	34566-1753	0	A	BLACK			70		67	66	65					58	57				55						
									49	48		47		44	43	42	41		39		37		35					
						73						32				27		25	24		21	20	19	18	17			
SALEABLE	NOT APPLICABLE	34566-1763	0	B	ST GRAY							67		65			61	60	59	58	57			54	53			
								51	50	49	48	47	46	45		43		40	39		37					34	33	
						73						32	31	30				26	25	24	23	22	21	20				
SALEABLE	NOT APPLICABLE	34566-1773	0	C	BLUE	72		70				67	66			63	62			59		57			53			
						52	51					46		44		42		40	39							34	33	
						73								30			27	26	25		22	21	20					
SALEABLE	NOT APPLICABLE	34566-1783	0	C	BLUE							67	66			63	62			59		57			53			
								51				46		44		42		40	39							34	33	
						73								30			26	25		22	21	20						
SALEABLE	NOT APPLICABLE	34566-1793	0	A	BLACK				69							63	62	61			58	57	56	55	54	53		
								52	51		49				44	43	42	41				37	36	35	34	33		
						73						32			29	28	27	26									19	18

MX123 52/66/73/80-WAY RECEPTACLE ASSY SEALED PIN OUT SHEET

STATUS	GM PART #	HRNS CONN ASSY			TPA	GROMMET CAP																				
		MATERIAL/PART	WIRE DRESS OPTION	KEY OPTION Fp	COLOR OPTION Fp	NUMBERS INDICATE CAVITIES OPEN FOR CIRCUITS																				
		NUMBER				Fp																				
SALEABLE	NOT APPLICABLE	34566-1813	0	B	ST GRAY	72	71	70		68	67	66				62	61	60	59	58	57	56	55	54	53	
						52	51	50		48	47	46				42	41	40	39	38	37	36	35	34	33	
						73				32	31	30	29	28	27	26	25	24	23							
SALEABLE	NOT APPLICABLE	34566-1823	0	A	BLACK	72	71	70	69	68		66	65	64			61		59	58		56		54	53	
						52		50	49		47					42	41			38	37	36		34	33	
						73				32	31	30	29	28	27	26		24	23	22	21	20	19	18	17	
SALEABLE	NOT APPLICABLE	34566-1833	0	A	BLACK					68		65		63		61		59	58		56					
						52		50			47					41			38	37	36		34	33		
						73				32	31	30	29	28	27		25	24	23			20	19	18	17	
SALEABLE	NOT APPLICABLE	34566-1843	0	A	BLACK					68		65		63		61		59	58		56			53		
						52		50			47					41			38	37	36		34	33		
						73				32	31	30	29	28	27		25	24	23			20	19	18	17	
SALEABLE	NOT APPLICABLE	34566-1853	0	A	BLACK			70	69	68	67		65		63		61	60			57	56	55	54	53	
						52		50	49	48	47			44	43		41	40			37	36	35	34	33	
						73						30	29	28			25	24			21	20	19	18	17	
SALEABLE	NOT APPLICABLE	34566-1863	0	B	ST GRAY					68	67		65	64	63											
												46	45		43											
						73				32		30	29	28	27											
SALEABLE	NOT APPLICABLE	34566-1873	0	C	BLUE	72		70			67	66			63	62			59		57				53	
						52	51					46		44		42		40	39						34	33
						73				32		30			27	26	25			22	21	20				
SALEABLE	NOT APPLICABLE	34566-1883	0	A	BLACK			70		68	67	66	65						58	57		55				
									49		47			44	43	42	41	40	39		37		35			
						73				32		30			27		25	24			21	20	19	18	17	
SALEABLE	NOT APPLICABLE	34566-1893	0	C	BLUE			70				66			63			59		57				53		
						52	51					46		44		42		40	39						34	33
						73				32		30			27	26	25			22	21	20				
SALEABLE	NOT APPLICABLE	34566-1913	0	B	ST GRAY	72		70		68		66					60	59					55	54	53	
						52		50		48		46					40	39						35	34	33
						73				32	31	30	29	28	27	26	25	24								
SALEABLE	NOT APPLICABLE	34566-1923	0	A	BLACK				69						63				58		56	55	54	53		
						52	51		49					44	43	42	41					36	35	34	33	
						73				32				28		26							19	18		
SALEABLE	NOT APPLICABLE	34566-1933	0	A	BLACK			70			67	66	65					58	57		55					
									49		47			44	43	42	41	40	39		37		35			
						73				32		30			27		25	24			21	20	19	18	17	
SALEABLE	NOT APPLICABLE	34566-1943	0	A	BLACK			70			67	66	65					58	57		55					
							51		49		47			44	43	42	41	40	39		37		35			
						73				32		30			27		25	24			21	20	19	18	17	
SALEABLE	NOT APPLICABLE	34566-1953	0	C	BLUE			70				66			63			59		57				53		
						52	51			48	47	46		44		42		40	39						34	33
						73						30				26	25			22	21	20				
SALEABLE	NOT APPLICABLE	34566-1963	0	C	BLUE			70				66			63			59		57				53		
						52	51					46		44		42		40	39						34	33
						73						30				26	25			22	21	20				

MX123 52/66/73/80-WAY RECEPTACLE ASSY SEALED PIN OUT SHEET

STATUS	GM PART #	HRNS CONN ASSY			TPA	GROMMET CAP																						
		MATERIAL/PART	WIRE DRESS OPTION	KEY OPTION Fp	COLOR OPTION Fp	NUMBERS INDICATE CAVITIES OPEN FOR CIRCUITS																						
		NUMBER				Fp																						
SALEABLE	NOT APPLICABLE	34566-1973	0	A	BLACK	52	51		69														56	55	54	53		
									49						44	63	42	41							36	35	34	33
						73				32				28		26			23					21			19	18
SALEABLE	NOT APPLICABLE	34566-1983	0	B	ST GRAY																							
						73																						
SALEABLE	NOT APPLICABLE	34566-1993	0	C	BLUE																							
						73																						
SALEABLE	NOT APPLICABLE	34566-2013	0	A	BLACK		71	70					65					60	59	58	57				54	53		
							51	50	49	48		46	45		43		41	40	39		37	36	35					33
						73				32	31	30						24	23	22		20						
SALEABLE	NOT APPLICABLE	34566-2023	0	A	BLACK			70		68	67	66	65							58	57				55			
									49		47			44	43	42	41		39		37		35					
						73				32		30				27		25	24			21	20	19	18	17		
SALEABLE	NOT APPLICABLE	34566-2033	0	A	BLACK		71	70					65	64				60	59	58	57				54	53		
							51	50	49	48		46	45		43		41	40	39		37	36	35					33
						73				32	31	30						24	23	22		20						
SALEABLE	NOT APPLICABLE	34566-2043	0	A	BLACK			70			67	66	65						58	57				55				
									49		47			44	43	42	41		39		37		35					
						73				32		30				27		25	24			21	20	19	18	17		
SALEABLE	NOT APPLICABLE	34566-2053	0	B	ST GRAY			70		68	67	66	65						58	57				55				
									49		47			44	43	42	41		39		37		35					
						73				32		30				27		25	24	23		21	20	19	18			
SALEABLE	NOT APPLICABLE	34566-2063	0	H	ST GRAY			78						72	71	70	69	68		66	65	64	63		61			
								58	57	56			53	52		50						44	43				41	
						40			37		35	34			32		30	29		27	26						22	21
SALEABLE	NOT APPLICABLE	34566-2073	0	H	ST GRAY			78						72	71	70	69	68		66	65	64	63		61			
								58	57	56			53	52		50						44	43				41	
						40			37		35	34			32		30	29		27	26						22	21
SALEABLE	NOT APPLICABLE	34566-2083	0	H	ST GRAY			78						72	71	70	69	68	67	66	65	64	63		61			
								58	57	56			53	52	51	50						44	43				41	
						40			37		35	34			32		30	29		27	26						22	21
SALEABLE	NOT APPLICABLE	34566-2093	0	A	BLACK					68			65		63		61		59	58			56					
						52		50			47					41			38	37	36			34	33			
						73				32	31	30	29	28	27		25	24	23			20	19	18	17			
SALEABLE	NOT APPLICABLE	34566-2113	0	H	ST GRAY		79	78	77	76	75	74	73	72	71	70	69	68		66	65	64	63		61			
						60	59	58	57	56	55		53	52		50						44	43	42	41			
						40	39	38	37		35	34	33	32		30	29		27	26							22	21
SALEABLE	NOT APPLICABLE	34566-2123	0	H	ST GRAY		79	78	77	76	75	74	73	72	71	70	69	68		66	65	64	63		61			
						60	59	58	57	56	55		53	52		50						44	43	42	41			
						40	39	38	37		35	34	33	32		30	29		27	26							22	21
SALEABLE	NOT APPLICABLE	34566-2133	0	B	ST GRAY		71	70					65	64				60	59	58	57			55	54	53		
							51	50	49	48		46	45		43		41	40	39		37	36	35					33
						73				32	31	30						24	23	22		20						

MX123 52/66/73/80-WAY RECEPTACLE ASSY SEALED PIN OUT SHEET

STATUS	GM PART #	HRNS CONN ASSY			TPA	GROMMET CAP																				
		MATERIAL/PART	WIRE DRESS OPTION	KEY OPTION Fp	COLOR OPTION Fp	NUMBERS INDICATE CAVITIES OPEN FOR CIRCUITS																				
		NUMBER				Fp																				
SALEABLE	NOT APPLICABLE	34566-2143	0	B	ST GRAY	71	70					65				60	59	58	57			54	53			
						51	50	49	48		46	45		43		41	40	39		37	36	35			33	
						73			32	31	30					24	23	22		20						
SALEABLE	NOT APPLICABLE	34566-2153	0	A	BLACK	70			68	67	66	65						58	57		55					
								49		47			44	43	42	41		39		37						
						73			32		30			27		25	24	23		21	20	19	18			
SALEABLE	NOT APPLICABLE	34566-2163	0	A	BLACK	70			67	66					61			58			55	54				
								49		47		45	44	43	42	41		39		37					34	
						73			32					27		24			21	20	19	18	17			
SALEABLE	NOT APPLICABLE	34566-2173	0	A	BLACK	70			67	66	65				61			58			55	54				
								49		47		45	44	43	42	41		39		37					34	
						73			32		30			27		25	24		21	20	19	18	17			
SALEABLE	NOT APPLICABLE	34566-2183	0	A	BLACK	70			67	66							58	57		55						
								49		47			44	43	42	41		39		37						
						73			32					27		24			21	20	19	18	17			
SALEABLE	NOT APPLICABLE	34566-2193	0	A	BLACK	70			67	66	65						58	57		55						
								49		47			44	43	42	41		39		37						
						73			32		30			27		25	24		21	20	19	18	17			
SALEABLE	NOT APPLICABLE	34566-2213	9	H	ST GRAY	79	78	77	76	75	74	73	72	71	70	69	68		66	65	64	63		61		
						60	59	58	57	56			53			50						44	43		41	
						40	39	38	37		35	34	33	32		30	29		27	26		24	23	22	21	
SALEABLE	NOT APPLICABLE	34566-2223	0	A	BLACK	72	71	70	69	68	67	66		64	63	62		60	59				55	54	53	
						52			49	48		46		44	43	42		40	39					35	34	33
						73			32			29		27		24	23					19	18	17		
SALEABLE	NOT APPLICABLE	34566-2233	0	A	BLACK	69								63				58			56		54			
						52	51	50	49				44	43	42	41					36	35	34	33		
						73			32				28		26							19	18			
SALEABLE	NOT APPLICABLE	34566-2243	0	H	ST GRAY	79	78	77	76	75	74	73	72	71	70	69	68		66	65	64	63		61		
						60	59	58	57	56			53	52		50						44	43		41	
						40	39	38	37		35	34	33	32		30	29		27	26		24	23	22	21	
SALEABLE	NOT APPLICABLE	34566-2253	0	A	BLACK	72	71	70	69	68		66	65	64	63		61		59	58		56		54		
						52		50	49		47				42	41			38	37	36			34	33	
						73			32	31	30	29	28	27	26		24	23	22	21	20	19	18	17		
SALEABLE	NOT APPLICABLE	34566-2263	0	A	BLACK	69								63				58			56		54			
						52	51	50	49				44	43	42	41					36	35	34	33		
						73			32				28		26							19	18			
SALEABLE	NOT APPLICABLE	34566-2273	0	A	BLACK	69								63	62	61			58	57	56	55	54	53		
						52	51	50	49				44	43	42	41				37	36	35	34	33		
						73			32			29	28	27	26							19	18			
SALEABLE	NOT APPLICABLE	34566-2283	0	B	ST GRAY	49			68	67	66	65	64	63							55					
									48		46	45	44	43												
						73			32		30	29	28	27												
SALEABLE	NOT APPLICABLE	34566-2293	0	C	BLUE	72		70		68		66		63				59		57				53		
						52	51			48	47	46		44		42		40	39						34	33
						73					30				26	25			22	21						

MX123 52/66/73/80-WAY RECEPTACLE ASSY SEALED PIN OUT SHEET

STATUS	GM PART #	HRNS CONN ASSY			TPA	GROMMET CAP																								
		MATERIAL/PART	WIRE DRESS OPTION	KEY OPTION Fp	COLOR OPTION Fp	NUMBERS INDICATE CAVITIES OPEN FOR CIRCUITS																								
		NUMBER																												
SALEABLE	NOT APPLICABLE	34566-2313	0	C	BLUE	72		70				66			63			59		57							34	53		
						52	51					46		44		42		40	39			22	21							
						73						30				26	25				6									
SALEABLE	NOT APPLICABLE	34566-2323	0	C	BLUE	72		70		68		66			63			59		57							34	53		
						52	51			48	47	46		44		42		40	39			22	21							
						73						30				26	25				6									
SALEABLE	NOT APPLICABLE	34566-2333	0	A	BLACK		71		69	68			65	64	63			59		57	56					34	33			
						52		50	49			47				41		39	38	37	36					20	19	18		
						73				32	31	30	29	28	27			24	23	22			20	19	18					
SALEABLE	NOT APPLICABLE	34566-2343	0	A	BLACK				69	68			65	64	63			59		57	56					34	33			
						52		50	49			47				41		39	38	37	36					20	19	18		
						73				32	31	30	29	28	27			24	23	22			20	19	18					
SALEABLE	NOT APPLICABLE	34566-2343	0	A	BLACK	72		70		68	67	66	65						58	57		55								
									49			47			44	43	42	41		39		37		35						
						73				32		30			27		25	24				21	20	19	18	17				
SALEABLE	NOT APPLICABLE	34566-2353	0	A	BLACK				49																					
						72		70		68	67	66	65							58	57		55							
						73				32		30			27		25	24				21	20	19	18	17				
SALEABLE	NOT APPLICABLE	34566-2363	0	C	BLUE	72		70							63	62		59		57										
						52	51					46		44		42		40	39	38										
						73				32		30			27	26	25				22	21	20							
SALEABLE	NOT APPLICABLE	34566-2373	0	B	ST GRAY					68	67	66	65	64			61	60	59	58	57		55	54	53					
							51	50	49	48	47	46	45		43	42	41	40	39	38	37		35	34	33					
						73				32	31	30			26		24	23	22	21	20									
SALEABLE	NOT APPLICABLE	34566-2383	0	B	ST GRAY								65					59	57		55									
								50	49	48		46							39		37		35							
						73							29					24	23		21									
SALEABLE	NOT APPLICABLE	34566-2393	0	B	ST GRAY													59	57		55									
								50	49	48		46							39		37		35							
						73							29					23		21										
SALEABLE	NOT APPLICABLE	34566-2413	0	A	BLACK			70				67	66	65																
									49			47			44	43	42	41		39		37		35						
						73				32		30			27		25	24				21	20	19	18	17				
SALEABLE	NOT APPLICABLE	34566-2423	0	A	BLACK										63															
						52	51		49					44	43	42	41													
						73				32			28		26															
SALEABLE	NOT APPLICABLE	34566-2433	0	A	BLACK				69						63															
						52	51		49					44	43	42	41													
						73				32			28		26				23											
SALEABLE	NOT APPLICABLE	34566-2443	0	C	BLUE	72		70		68		66			63			59		57										
						52	51			48	47	46		44				40	39			22	21	20						
						73				32		30			26	25					6	5	4							
SALEABLE	NOT APPLICABLE	34566-2453	0	A	BLACK		71		69				65	64	63					58	57	56	55	54	53					
						52	51		49				45	44	43	42	41					37	36	35	34	33				
						73				32		30		28		26			23											
SALEABLE	NOT APPLICABLE	34566-2463	0	A	BLACK		71		69				65	64	63					57	56	55	54	53						
						52	51		49				45	44	43	42	41					37	36	35	34	33				
						73				32		30	29	28		26			23											

MX123 52/66/73/80-WAY RECEPTACLE ASSY SEALED PIN OUT SHEET

STATUS	GM PART #	HRNS CONN ASSY			TPA	GROMMET CAP																							
		MATERIAL/PART	WIRE DRESS OPTION	KEY OPTION Fp	COLOR OPTION Fp	NUMBERS INDICATE CAVITIES OPEN FOR CIRCUITS																							
		NUMBER				Fp																							
SALEABLE	NOT APPLICABLE	34566-2473	0	A	BLACK			70		68	67	66	65							58	57			55					
								49																					
						73																							
SALEABLE	NOT APPLICABLE	34566-2483	0	A	BLACK				69																				
						52	51		49																				
						73																							
SALEABLE	NOT APPLICABLE	34566-2493 SAME AS P/N 34566-3863	0	B	ST GRN	72	71	70		68	67	66																	
						52	51	50		48	47	46																	
						73																							
SALEABLE	NOT APPLICABLE	34566-2513	0	C	BLUE	72		70		68	67	66																	
						52	51			48	47	46																	
						73																							
SALEABLE	NOT APPLICABLE	34566-2523	0	A	BLACK	72	71	70	69	68	67	66	65	64	63	62													
						52			49	48																			
						73																							
SALEABLE	NOT APPLICABLE	34566-2533	0	B	ST GRN																								
								50	49	48																			
						73																							
SALEABLE	NOT APPLICABLE	34566-2543	0	C	BLUE	72		70				66																	
						52	51					46																	
						73																							
SALEABLE	NOT APPLICABLE	34566-2553	9	B	ST GRN	72	71	70		68	67	66																	
						52	51	50		48	47	46																	
						73																							
SALEABLE	NOT APPLICABLE	34566-2563	9	A	BLACK				69																				
						52	51	50	49																				
						73																							
SALEABLE	NOT APPLICABLE	34566-2573	9	C	BLUE	72		70				66																	
						52	51					46																	
						73																							
SALEABLE	NOT APPLICABLE	34566-2583	0	A	BLACK				69																				
						52	51	50	49																				
						73																							
SALEABLE	NOT APPLICABLE	34566-2593	0	C	BLUE	72		70				66																	
						52	51					46																	
						73																							
SALEABLE	NOT APPLICABLE	34566-2613	9	C	BLUE	72		70				66																	
						52	51					46																	
						73																							
SALEABLE	NOT APPLICABLE	34566-2623	0	A	BLACK		71		69	68	67		65	64	63														
								50	49																				
						73																							
SALEABLE	NOT APPLICABLE	34566-2633	0	A	BLACK		71		69	68	67		65	64															
								50	49																				
						73																							

MX123 52/66/73/80-WAY RECEPTACLE ASSY SEALED PIN OUT SHEET

STATUS	GM PART #	HRNS CONN ASSY			TPA	GROMMET CAP																						
		MATERIAL/PART	WIRE DRESS OPTION	KEY OPTION Fp	COLOR OPTION Fp	NUMBERS INDICATE CAVITIES OPEN FOR CIRCUITS																						
		NUMBER				Fp																						
SALEABLE	NOT APPLICABLE	34566-2813	9	B	ST GRAY	72	71	70	69	68	67	66	65	64		62	61	60	59	58	57	56	55	54				
						52	51	50	49	48		46		44				40				37	36					
						73				32	31	30	29	28	27		25	24					21	20			18	
SALEABLE	NOT APPLICABLE	34566-2823	0	A	BLACK						67	66																
											47					41												
						73				32	31	30	29		27		25				22	21			19	18	17	
SALEABLE	NOT APPLICABLE	34566-2833	0	B	ST GRAY	72	71	70	69	68	67	66	65			61	60				57	56	55	54				
						52	51	50	49	48		46		44				40				37	36					
						73				32	31	30	29	28	27			24				21	20	19	18	17		
SALEABLE	NOT APPLICABLE	34566-2843	0	A	BLACK						67	66																
											47					41												
						73				32	31	30	29		27		25			22	21			19	18	17		
SALEABLE	NOT APPLICABLE	34566-2853	0	B	ST GRAY	72	71	70	69	68	67	66	65	64	63		61	60				57	56	55	54			
						52	51	50	49	48		46		44				40				37	36					
						73				32	31	30	29	28	27			24				21	20	19	18	17		
SALEABLE	NOT APPLICABLE	34566-2863	0	A	BLACK						67	66																
											47					41												
						73				32	31	30	29		27		25			22	21			19	18	17		
SALEABLE	NOT APPLICABLE	34566-2873	0	B	ST GRAY	72	71	70	69	68	67	66							59	58	57	56	55	54				
						52	51	50	49	48	47							40			39	38	37	36	35	34	33	
						73				32	31	30	29	28	27			24			23	22	21			19	18	17
SALEABLE	NOT APPLICABLE	34566-2883	0	A	BLACK			70	69						63	62	61			58	57	56	55	54	53			
						52	51		49				44	43	42	41						37	36			34		
						73				32			29	28	27	26										19	18	
SALEABLE	NOT APPLICABLE	34566-2893	0	A	BLACK				69		67	66	65		63			60			57	56		53				
									49		47	46		44	43			40				37	36	35		33		
						73				32		30	29	28			24				21	20						
SALEABLE	NOT APPLICABLE	34566-2913	0	B	ST GRAY					68	67			64					58									
												46	45									38						
						73				32		30	29	28	27					22								17
SALEABLE	NOT APPLICABLE	34566-2923	0	B	ST GRAY						67																	
												46	45															
						73				32		30	29	28	27													17
SALEABLE	NOT APPLICABLE	34566-2933	0	A	BLACK	72			69		67		65		63			60			57	56		53				
									49		47		44	43			40				37	36	35		33			
						73				32		30	29	28			24				21	20						17
SALEABLE	NOT APPLICABLE	34566-2943	0	B	ST GRAY					68	67			64	63				59		57							
												46	45			43				39		37						
						73				32		30	29	28	27					21								
SALEABLE	NOT APPLICABLE	34566-2953	0	B	ST GRAY					68	67			64	63				59									
												46	45			43				39							34	
						73				32		30	29	28	27													
SALEABLE	NOT APPLICABLE	34566-2963	0	H	ST GRAY		79						74	73	72	71		69	68	67			64		62	61		
							59						54	53	52			49	48	47							42	41
								38							33					29		27			25			



MX123 52/66/73/80-WAY RECEPTACLE ASSY SEALED PIN OUT SHEET

STATUS	GM PART #	HRNS CONN ASSY			TPA	GROMMET CAP																						
		MATERIAL/PART	WIRE DRESS OPTION	KEY OPTION	COLOR	NUMBERS INDICATE CAVITIES OPEN FOR CIRCUITS																						
		NUMBER		OPTION	OPTION																							
SALEABLE	NOT APPLICABLE	34566-2973	0	G	BLUE	80		78	77		75	74	73	72		70	69		67		65	64	63	62				
						60		58	57		55	54		52	51	50	49		47		45							
						40		38	37					33	32	31				27	26	25	24					
						20		18	17									10	9	8		6	5			3	2	1
SALEABLE	NOT APPLICABLE	34566-9913	0	A	BLACK	72	71			68	67	66	65	64					59									
								50		48	47	46	45					40	39	38								
						73					31	30						25	24		22	21	20				17	
						73							14					9	7		6	5	4				2	1
SALEABLE	NOT APPLICABLE	34566-9923	0	A	BLACK	72	71				67	66				62	61	60			57			55	54			
								51		48		46	45	44	43	42			39						35		33	
						73												26	25	24								
						73					15	14							8	7	6	5	4	3	2			
SALEABLE	NOT APPLICABLE	34566-9933	0	B	ST GRAY				69				65	64	63													
									49				45	44	43													
						73															22	21	20	19	18	17		
						73											12	11			6	5	4	3	2	1		
SALEABLE	NOT APPLICABLE	34566-9943	0	C	BLUE		71		69				65	64														
								50	49				45		43		41				37	36	35					
						73					31		29	28					24	23					19	18	17	
						73					16		13	12	11				8	7					3	2	1	
SALEABLE	NOT APPLICABLE	34566-9953	0	A	BLACK					67						62				57			55					
							51			48		46	45	44	43				39						35			
						73													25									
						73					15	14							7	6	5	4	3	2				
SALEABLE	NOT APPLICABLE	34566-9963	0	B	ST GRAY					68	67			64	63					58			55					
												46	45		43					38				35				
						73					32		30	29	28	27				22				19		17		
						73					15		13				10										1	
SALEABLE	NOT APPLICABLE	34566-9973	0	B	ST GRAY					68	67			64	63					58								
												46	45		43					38								
						73					32		30	29	28	27				22							17	
						73					15		13				10											
SALEABLE	NOT APPLICABLE	34566-2983	9	A	BLACK				70	69					63	62	61			58	57	56	55	54	53			
						52	51		49					44	43	42	41					37	36			34		
						73					32		29	28	27	26									19	18	17	
						73					16	15		13	12	11	10								3	2	1	
SALEABLE	NOT APPLICABLE	34566-2993	9	B	ST GRAY	72	71	70		68	67	66				62	61	60	59	58	57	56	55	54	53			
						52	51	50		48	47	46				42	41	40	39	38	37	36	35	34	33			
						73					32	31	30	29	28	27	26	25	24									
						73					16	15	14	13			10	9	8									
SALEABLE	NOT APPLICABLE	34566-3013	9	C	BLUE	72	71	70	69	68	67	66			63	62			59		57	56	55		53			
						52	51					46		44		42		40	39	38						34	33	
						73					32		30				26	25			22	21			19	18		
						73					15	14					10	9			6	5	4	3				
SALEABLE	NOT APPLICABLE	34566-3023	0	G	BLUE		79			76					71			68		66				61				
							59			56			53					30	29	28		46		44	43	42	41	
							39			36	35	34														23	22	21
							19			16	15	14	13	12	11					7					4			
SALEABLE	NOT APPLICABLE	34566-3033	0	H	ST GRAY	80		78	77	76	75					70				66	65			63				
						60		58	57	56	55				51	50					46	45	44	43				
						40	39		37	36	35	34			32	31	30			28		26		24	23	22		
						20	19	18	17	16				13	12							6	5	4	3	2	1	
SALEABLE	NOT APPLICABLE	34566-3043	0	C	BLUE	72	71	70		68		66			63	62			59		57				53			
						52	51			48	47	46		44		42		40	39							34	33	
						73					32		30			27	26	25			22	21	20					
						73					15	14	13				10	9			6	5	4					
SALEABLE	NOT APPLICABLE	34566-3053	0	C	BLUE	72		70		68		66			63	62			59		57				53			
						52	51			48	47	46		44		42		40	39	38						34	33	
						73					32		30			27	26	25			22	21	20					
						73					15	14	13				10	9			6	5	4					

MX123 52/66/73/80-WAY RECEPTACLE ASSY SEALED PIN OUT SHEET

STATUS	GM PART #	HRNS CONN ASSY			TPA	GROMMET CAP																				
		MATERIAL/PART	WIRE DRESS OPTION	KEY OPTION Fp	COLOR OPTION Fp	NUMBERS INDICATE CAVITIES OPEN FOR CIRCUITS																				
		NUMBER				Fp																				
SALEABLE	NOT APPLICABLE	34566-3063	0	A	BLACK	52	71	69				65	64	63		60		58	57	56	55	54	53			
							51	49				45	44	43	42	41					37	36	35	34	33	
						73			32		30		28		26									19	18	
SALEABLE	NOT APPLICABLE	34566-3073	0	A	BLACK	52	71	69				65	64	63		60			57	56	55	54	53			
							51	49				45	44	43	42	41					37	36	35	34	33	
						73			32		30		28		26			23						19	18	
SALEABLE	NOT APPLICABLE	34566-3083	0	A	BLACK	52	71	69				65	64	63		60		58	57	56	55	54	53			
							51	49				45	44	43	42	41					37	36	35	34	33	
						73			32		30		28		26									19	18	
SALEABLE	NOT APPLICABLE	34566-3093	0	A	BLACK	52	71	69				65	64	63		60			57	56	55	54	53			
							51	49				45	44	43	42	41					37	36	35	34	33	
						73			32		30		28		26			23						19	18	
SALEABLE	NOT APPLICABLE	34566-3113	0	A	BLACK	52	71	69				65	64	63		60			57	56	55	54	53			
							51	49				45	44	43	42	41					37	36	35	34	33	
						73			32		30		28		26			23		21				19	18	
SALEABLE	NOT APPLICABLE	34566-3123	0	B	ST GRV	72		70				66					60	59				55	54	53		
						52		50				48	46				40	39						35	34	33
						73			32	31	30	29	28	27	26	25	24									
SALEABLE	NOT APPLICABLE	34566-3133	0	C	BLUE	72		70		68	67	66			63	62		59	57					53		
						52	51			48	47	46		44	42		40	39							34	33
						73			32		30				26	25			22	21	20					
SALEABLE	NOT APPLICABLE	34566-3143	0	C	BLUE	72		70				66			63	62		59	57					53		
						52	51					46	44		42		40	39							34	33
						73			32		30				26	25			22	21						
SALEABLE	NOT APPLICABLE	34566-3153	0	A	BLACK	52	71	69						63			58			56		54				
							51	49				47			44	43	42	41				36		34		
						73			32				28		26									19	18	
SALEABLE	NOT APPLICABLE	34566-3163	0	C	BLUE	72		70						63	62		59	57	56	55				53		
						52	51					46	44		42		40	39							34	33
						73			32		30				26	25			22	21					19	18
SALEABLE	NOT APPLICABLE	34566-3173	0	A	BLACK	52	71	69						63			58			56		54				
							51	49				47			44	43	42	41				36		34		
						73			32				28		26									19	18	17
SALEABLE	NOT APPLICABLE	34566-3183	0	C	BLUE	72		70				66			63	62		59	57	56	55			53		
						52	51					46	44		42		40	39							34	33
						73			32		30				26	25			22	21						
SALEABLE	NOT APPLICABLE	34566-3193	0	A	BLACK	52	71	69						63			58			56	55	54	53			
							51	49						44	43	42	41					36	35	34	33	
						73			32				28		26									19	18	17
SALEABLE	NOT APPLICABLE	34566-3213	0	C	BLUE	72		70				67	66			63	62		59	57	56	55		53		
						52	51					46	44		42		40	39							34	33
						73			32		30				26	25			22	21						
SALEABLE	NOT APPLICABLE	34566-3223	0	C	BLUE	72		70				67	66			63	62		59	57	56	55	54	53		
						52	51					46	44		42		40	39							34	33
						73			32		30			27	26	25			22	21						

MX123 52/66/73/80-WAY RECEPTACLE ASSY SEALED PIN OUT SHEET

STATUS	GM PART #	HRNS CONN ASSY			TPA	GROMMET CAP																								
		MATERIAL/PART	WIRE DRESS OPTION	KEY OPTION Fp	COLOR OPTION Fp	NUMBERS INDICATE CAVITIES OPEN FOR CIRCUITS																								
		NUMBER				Fp																								
SALEABLE	NOT APPLICABLE	34566-3233	0	A	BLACK	70	69								63	62	61					58	57	56	55	54	53			
						52	51		49					44	43	42	41										36	35	34	33
						73		32				29	28	27	26														19	18
SALEABLE	NOT APPLICABLE	34566-3243	0	C	BLUE	72		70						66			63	62				59		57				53		
						52	51					46		44		42		40	39									34	33	
						73		32		30					26	25			22	21										
SALEABLE	NOT APPLICABLE	34566-3253	0	A	BLACK	70	69								63							58		56	55	54	53			
						52	51		49					44	43	42	41										36	35	34	33
						73		32						28		26													19	18
SALEABLE	NOT APPLICABLE	34566-3263	0	C	BLUE	72		70						66			63	62				59		57	56	55	54	53		
						52	51					46		44		42		40	39									34	33	
						73		32		30					26	25			22	21									19	18
SALEABLE	NOT APPLICABLE	34566-3273	0	A	BLACK	70	69								63							58		56	55	54	53			
						52	51		49					44	43	42	41										36	35	34	33
						73		32						28		26													19	18
SALEABLE	NOT APPLICABLE	34566-3283	0	C	BLUE	72		70						66			63	62				59		57	56	55	54	53		
						52	51					46		44		42		40	39									34	33	
						73		32		30					26	25			22	21									19	18
SALEABLE	NOT APPLICABLE	34566-3293	0	B	ST GRAY	72	71	70		68	67	66				62	61	60	59	58	57	56	55	54	53					
						52	51	50		48	47				42	41	40	39	38	37	36	35	34	33						
						73		32	31	30	29	28	27	26	25	24	23													
SALEABLE	NOT APPLICABLE	34566-3313	0	C	BLUE	72		70							63	62					59		57					53		
						52	51					46		44		42		40	39									34	33	
						73		32		30					26	25			22	21										
SALEABLE	NOT APPLICABLE	34566-3323	0	B	ST GRAY				49	68	67	66	65	64	63							58			55					
										48	47	46	45	44	43								38							
						73		32		30	29	28	27																	
SALEABLE	NOT APPLICABLE	34566-3333	0	A	BLACK	72	71	70	69	68				65	64	63		61			59	58	57	56		54				
						52	51	50	49		47				42	41			38	37	36					34	33			
						73		32	31	30	29	28	27	26		24	23										20	19	18	17
SALEABLE	NOT APPLICABLE	34566-3343	0	A	BLACK	72			69	68	67	66	65	64	63							59	58	57	56		54			
									49		47			44	43	42		40					37	36	35					33
						73		32	31	30	29	28		26		24								21	20					
SALEABLE	NOT APPLICABLE	34566-3353	0	B	ST GRAY					68	67			64						59	58					54				
												46	45									39	38							
						73		32		30	29	28	27										23	22						
SALEABLE	NOT APPLICABLE	34566-3363	0	A	BLACK		71		69	68				65	64	63		61			59		57	56		54				
						52		50	49		47				42	41	40	39	38	37	36					34	33			
						73		32	31	30	29	28	27	26		24	23	22									20	19	18	
SALEABLE	NOT APPLICABLE	34566-3373	9	C	BLUE	72		70		68	67	66			63	62				59		57	56	55	54					
						52	51			48	47	46		44		42		40	39	38								34	33	
						73		32		30					26	25			22	21								19	18	
SALEABLE	NOT APPLICABLE	34566-3383	0	A	BLACK			70	69	68				65	64	63		61			59	58	57	56		54				
						52		50	49	48	47				42	41			38	37	36						34	33		
						73		32	31	30	29	28	27	26		24	23										20	19	18	

MX123 52/66/73/80-WAY RECEPTACLE ASSY SEALED PIN OUT SHEET

STATUS	GM PART #	HRNS CONN ASSY			TPA	GROMMET CAP																						
		MATERIAL/PART	WIRE DRESS OPTION	KEY OPTION Fp	COLOR OPTION Fp	NUMBERS INDICATE CAVITIES OPEN FOR CIRCUITS																						
		NUMBER				Fp																						
SALEABLE	NOT APPLICABLE	34566-3393	0	C	BLUE	72		70		68	67	66			63	62			59		57					53		
						52	51			48	47	46		44			42		40	39							34	33
						73						32		30				26	25			22	21					
SALEABLE	NOT APPLICABLE	34566-3413	0	A	BLACK	72		70			67	66	65				61			58	57			55	54			
								50	49		47		45	44	43	42	41		39		37		35					
						73						32		30			27	26	25	24			21	20	19	18	17	
SALEABLE	NOT APPLICABLE	34566-3423	9	C	BLUE				69						63				58		56	55	54	53				
						52	51		49				44	43	42	41							36	35	34	33		
						73						32				28		26						19	18	17		
SALEABLE	NOT APPLICABLE	34566-3433	9	C	BLUE										63	62			59		57	56	55	54	53			
						52	51						44	43	42	41									34	33		
						73						32				28		26						19	18	17		
SALEABLE	NOT APPLICABLE	34566-3443	0	A	BLACK		71		69				65	64	63			60			57	56	55	54	53			
						52	51		49				45	44	43	42	41					37	36	35	34	33		
						73						32		30		28		26			23			19	18			
SALEABLE	NOT APPLICABLE	34566-3453	0	A	BLACK																							
						73																	20					
																			9			5					1	
SALEABLE	NOT APPLICABLE	34566-3463	9	H	ST GRAY																			61				
						20											9			5						1		
SALEABLE	NOT APPLICABLE	34566-3473	9	B	ST GRAY	72	71	70	69	68	67	66	65	64		62	61	60	59	58	57	56	55	54				
						52	51	50	49			46		44				40		38	37	36						
						73						32	31	30	29	28	27		25	24			21	20		18	17	
SALEABLE	NOT APPLICABLE	34566-3483	0	B	ST GRAY	72	71	70	69	68	67	66	65			61	60			57	56	55	54					
						52	51	50	49	48		46		44			40		38	37	36							
						73						32	31	30	29	28	27		24			21	20	19	18	17		
SALEABLE	NOT APPLICABLE	34566-3493	0	A	BLACK			70			67	66	65				61			58	57			55	54			
								49		47		45	44	43	42	41		39		37		35						
						73						32		30			27	26	25	24			21	20	19	18	17	
SALEABLE	NOT APPLICABLE	34566-3513	0	A	BLACK			70	69						63	62	61	60			58	57	56	55	54	53		
						52	51		49				44	43	42	41						37	36			34		
						73						32		29	28	27	26							19	18			
SALEABLE	NOT APPLICABLE	34566-3523	0	A	BLACK	72		70							63	62						56	55	54				
						52			49					43	42								36	35	34			
						73						32		31		28		26				21	20	19	18			
SALEABLE	NOT APPLICABLE	34566-3533	9	A	BLACK				69						63				58		56	55	54	53				
						52	51		49				44	43	42	41							36	35	34	33		
						73						32				28		26						19	18	17		
SALEABLE	NOT APPLICABLE	34566-3543	9	A	BLACK			70							63	62			59		57	56	55	54	53			
						52	51						44	42		40	39									34	33	
						73						30				26	25			22	21							
SALEABLE	NOT APPLICABLE	34566-3553	9	C	BLUE	72	71	70	69	68	67	66	65		63	62	61		59	58	57	56	55	54	53			
							51	50	49	48		46	45	44	43	42	41	40	39	38		36	35	34	33			
						73						32		31	30	29	28	27	26	25			22	21	19	18	17	

MX123 52/66/73/80-WAY RECEPTACLE ASSY SEALED PIN OUT SHEET

STATUS	GM PART #	HRNS CONN ASSY			TPA	GROMMET CAP																																		
		MATERIAL/PART	WIRE DRESS OPTION	KEY OPTION Fp	COLOR OPTION Fp	NUMBERS INDICATE CAVITIES OPEN FOR CIRCUITS																																		
		NUMBER				<table style="width:100%; border:none;"> <tr> <td colspan="10" style="border:none;">73</td> <td colspan="10" style="border:none;">Fp</td> </tr> </table>																				73										Fp				
73										Fp																														
SALEABLE	NOT APPLICABLE	34566-3563	9	C	BLUE	72		70		68	67	66			63	62			59		57				53															
						52	51			48	47	46		44		42		40	39	38						34	33													
						73										Fp																								
SALEABLE	NOT APPLICABLE	34566-3573	9	C	BLUE			70	69	68					63	62	61			58	57	56	55	54	53															
						52	51	50	49	48	47			44	43	42	41					37	36			34														
						73										Fp																								
SALEABLE	NOT APPLICABLE	34566-3583	9	A	BLACK			70	69						63	62	61			58	57	56	55	54	53															
						52	51	50	49					44	43	42	41					37	36			34														
						73										Fp																								
SALEABLE	NOT APPLICABLE	34566-3593	0	A	BLACK		71		69					64	63		60			58	57	56	55	54	53															
						52	51		49				45	44	43	42	41					37	36	35	34	33														
						73										Fp																								
SALEABLE	NOT APPLICABLE	34566-3613	0	B	ST GR Y					68	67			64	63				59																					
												46	45		43																									
						73										Fp																								
SALEABLE	NOT APPLICABLE	34566-3623	0	A	BLACK	72		70	69						63	62	61	60	59	58	57	56	55	54	53															
						52	51		49					44	43	42	41					37	36			34														
						73										Fp																								
SALEABLE	NOT APPLICABLE	34566-3633	0	C	BLUE	72		70		68	67	66			63	62			59		57				53															
						52	51			48	47	46		44				40	39	38	37	36				34	33													
						73										Fp																								
SALEABLE	NOT APPLICABLE	34566-3643	0	B	ST GR Y	72	71	70		68	67	66		64	63				59							53														
						52	51	50		48	47	46							39								34	33												
						73										Fp																								
SALEABLE	NOT APPLICABLE	34566-3653	0	B	ST GR Y	72	71	70	69	68		66	65	64	63				59								53													
						52	51	50	49	48	47	46	45	44	43				39									34	33											
						73										Fp																								
SALEABLE	NOT APPLICABLE	34566-3663	0	A	BLACK	72		70	69						63	62	61	60	59	58	57	56	55	54	53															
						52	51		49					44	43	42	41					37	36			34														
						73										Fp																								
SALEABLE	NOT APPLICABLE	34566-3673	9	C	BLUE		71	70	69	68	67		65		63	62	61		59	58	57	56	55	54	53															
							51	50	49	48			45	44	43	42	41	40	39	38			36	35	34	33														
						73										Fp																								
SALEABLE	NOT APPLICABLE	34566-3683	9	H	ST GR Y																				61															
															32																									
						20						15						9					5					1												
SALEABLE	NOT APPLICABLE	34566-3693	0	C	BLUE	72		70		68	67	66			63	62			59		57				53															
						52	51			48	47	46		44		42		40	39	38						34	33													
						73										Fp																								
SALEABLE	NOT APPLICABLE	34566-3713	0	C	BLUE	72		70		68	67	66			63	62			59		57				53															
						52	51			48	47	46		44		42		40	39							34	33													
						73										Fp																								
SALEABLE	NOT APPLICABLE	34566-3723	0	A	BLACK			70	69						63	62	61			58	57	56	55	54	53															
						52	51	50	49					44	43	42	41					37	36			34														
						73										Fp																								

MX123 52/66/73/80-WAY RECEPTACLE ASSY SEALED PIN OUT SHEET

STATUS	GM PART #	HRNS CONN ASSY			TPA	GROMMET CAP																				
		MATERIAL/PART	WIRE DRESS OPTION	KEY OPTION Fp	COLOR OPTION Fp	NUMBERS INDICATE CAVITIES OPEN FOR CIRCUITS																				
		NUMBER				Fp																				
SALEABLE	NOT APPLICABLE	34566-3733	0	B	ST GRAY	72	71	70		68	67	66				62	61	60	59	58	57	56	55	54	53	
						52	51	50		48	47	46				42	41	40	39	38	37	36	35	34	33	
						73				32	31	30	29	28	27	26	25	24	23							
SALEABLE	NOT APPLICABLE	34566-3743	0	C	BLUE	72		70		68		66			63	62			59		57			53		
						52	51			48	47	46		44		42		40	39	38					34	33
						73				32		30			27	26	25			22	21					
SALEABLE	NOT APPLICABLE	34566-3753	0	C	BLUE	72		70		68		66			63	62			59		57			53		
						52	51			48	47	46		44		42		40	39						34	33
						73				32		30			27	26	25			22	21					
SALEABLE	NOT APPLICABLE	34566-3763	0	C	BLUE	72		70		68		66			63	62			59		57	56	55	54	53	
						52	51			48	47	46		44		42		40	39						34	33
						73				32		30			27	26	25			22	21					
SALEABLE	NOT APPLICABLE	34566-3773	0	A	BLACK			70	69						63				58		56	55	54	53		
						52	51	50	49					44	43	42	41		39					36		34
						73				32					28		26								19	18
SALEABLE	NOT APPLICABLE	34566-3783	0	A	BLACK			70	69						63				58		56	55	54	53		
						52	51	50	49					44	43	42	41		39					36		34
						73				32					28		26								19	18
SALEABLE	NOT APPLICABLE	34566-3793	0	A	BLACK		71	70						64	63			60		58	57	56	55	54	53	
						52	51		49				45	44	43	42	41				37	36			34	
						73				32		30			28		26		23		21				19	18
SALEABLE	NOT APPLICABLE	34566-3813	0	C	BLUE	72		70		68		66			63	62			59		57			53		
						52	51			48	47	46		44		42		40	39	38	37	36			34	33
						73				32		30				26	25	24		22	21	20				
SALEABLE	NOT APPLICABLE	34566-3823	0	A	BLACK			70	69						63		61			58	57	56	55	54	53	
						52	51		49					44	43		41				37	36			34	
						73				32					27	26									19	18
SALEABLE	NOT APPLICABLE	34566-3833	0	A	BLACK			70	69						63	62	61			57	56	55	54	53		
						52	51		49					44	43	42	41				37	36			34	
						73				32			29	28	27	26			23						19	18
SALEABLE	NOT APPLICABLE	34566-3843	0	A	BLACK	72	71	70	69	68	67	66			64	63	62		60	59			55	54	53	
						52			49	48				44	43	42	41	40	39					35	34	33
						73				32			29	28	27		25	24	23						19	18
SALEABLE	NOT APPLICABLE	34566-3853	0	A	BLACK	72	71	70	69	68	67	66	65	64	63	62		60	59				55	54	53	
						52			49	48			45	44	43	42	41	40	39					35	34	33
						73				32			29	28	27		25	24	23						19	18
SALEABLE	NOT APPLICABLE	34566-3863	0	B	ST GRAY	72	71	70		68	67	66				62	61	60	59	58	57	56	55	54	53	
						52	51	50		48	47	46				42	41	40	39	38	37	36	35	34	33	
						73				32	31	30	29	28	27	26	25	24								
SALEABLE	NOT APPLICABLE	34566-3873	0	B	ST GRAY										63				59	58	57	56	55			
								50	49	48		46	45		43					39	38	37	36	35	34	
						73							29	27					23	22	21					18
SALEABLE	NOT APPLICABLE	34566-3883	0	B	ST GRAY						67	66						59	58	57	56	55		53		
								50	49	48			45						39	38	37	36	35	34	33	
						73							29						23	22	21					18

MX123 52/66/73/80-WAY RECEPTACLE ASSY SEALED PIN OUT SHEET

STATUS	GM PART #	HRNS CONN ASSY			TPA	GROMMET CAP																									
		MATERIAL/PART	WIRE DRESS OPTION	KEY OPTION Fp		COLOR OPTION Fp	NUMBERS INDICATE CAVITIES OPEN FOR CIRCUITS																								
		NUMBER					Fp																								
SALEABLE	NOT APPLICABLE	34566-3893	0	C	BLUE	72		70		68	67	66			63	62			59		57					53					
						52	51			48	47	46		44		42					22	21						34	33		
						73				32		30			27	26	25														
SALEABLE	NOT APPLICABLE	34566-3913	0	A	BLACK		71	70	69					64	63			60		58	57	56	55	54	53						
						52	51		49				45	44	43	42	41						37	36				34			
						73				32		30			28		26				23				21			19	18		
SALEABLE	NOT APPLICABLE	34566-3923	0	B	ST GRV	72		70		68		66						60	59						55	54	53				
						52		50		48		46						40	39								35	34	33		
						73				32	31	30	29	28	27	26	25	24	23									19	18		
SALEABLE	NOT APPLICABLE	34566-3933	0	A	BLACK		71	70	69					64	63			60		58	57	56	55	54	53						
						52	51		49				45	44	43	42	41							37	36			34			
						73				32		30			28		26											19	18		
SALEABLE	NOT APPLICABLE	34566-3943	0	C	BLUE	72		70		68		66						60	59						55	54	53				
						52		50		48		46						40	39								35	34	33		
						73				32	31	30	29	28	27	26	25	24													
SALEABLE	NOT APPLICABLE	34566-3953	0	C	BLUE	72		70		68						63	62			59		57					53				
						52	51			48	47	46		44		42		40	39									34	33		
						73				32		30				26	25				23	22	21	20							
SALEABLE	NOT APPLICABLE	34566-3963	0	C	BLUE	72		70		68	67	66			63	62			59		57					53					
						52	51			48	47	46		44		42		40	39	38							34	33			
						73				32		30				26	25							22	21						
SALEABLE	NOT APPLICABLE	34566-3973	0	C	BLUE	72		70		68	67					63	62			59		57				53					
						52	51			48	47	46		44		42		40	39	38							34	33			
						73				32		30				26	25							22	21						
SALEABLE	NOT APPLICABLE	34566-3983	0	A	BLACK		71	70	69					64	63			60	59	58	57	56	55	54	53						
						52	51		49				45	44	43	42	41	40						37	36			34			
						73				32		30			28		26											19	18		
SALEABLE	NOT APPLICABLE	34566-3993	0	A	BLACK			70	69					64	63	62	61	60			58	57	56	55	54	53					
						52	51		49					44	43	42	41	40									37	36		34	
						73				32			29	28	27	26													19	18	
SALEABLE	NOT APPLICABLE	34566-4013	0	B	ST GRV	72		70		68		66						60	59						55	54	53				
						52		50		48		46						40	39								35	34	33		
						73				32	31	30	29	28	27	26	25	24												17	
SALEABLE	NOT APPLICABLE	34566-4023	0	B	ST GRV	72	71	70		68	67	66				62	61	60	59	58	57	56	55	54	53						
						52	51	50		48	47	46				42	41	40	39	38	37	36	35	34	33						
						73				32	31	30	29	28	27	26	25	24													
SALEABLE	NOT APPLICABLE	34566-4033	0	C	BLUE	72		70		68						63	62			59	58	57				53					
						52	51			48	47			44		42		40	39	38							34	33			
						73				32		30				26	25							22	21	20				17	
SALEABLE	NOT APPLICABLE	34566-4043	0	A	BLACK		71	70	69					64	63			60				57	56	55	54	53					
						52	51		49				45	44	43	42	41								37	36			34		
						73				32		30			28		26				23							19	18		
SALEABLE	NOT APPLICABLE	34566-4053	0	A	BLACK	72			69		67	66	65		63			60			57	56					53				
									49		47	46		44	43	42		40							37	36	35		33		
						73				32		30	29	28	27	26		24									21	20		17	

MX123 52/66/73/80-WAY RECEPTACLE ASSY SEALED PIN OUT SHEET

STATUS	GM PART #	HRNS CONN ASSY			TPA	GROMMET CAP																								
		MATERIAL/PART	WIRE DRESS OPTION	KEY OPTION		COLOR OPTION	NUMBERS INDICATE CAVITIES OPEN FOR CIRCUITS																							
		NUMBER		Fp			Fp	Fp																						
SALEABLE	NOT APPLICABLE	34566-4063	0	B	ST GRN					68	67			64					59	58					54					
																						39	38							
						73				32		30	29	28	27							23	22							17
SALEABLE	NOT APPLICABLE	34566-4073	0	A	BLACK	72			70																					
						52	51																							
						73				32		30																		
SALEABLE	NOT APPLICABLE	34566-4083	0	C	BLUE	72			70																					
						52	51																							
						73				32		30																		
SALEABLE	NOT APPLICABLE	34566-4093	0	A	BLACK	72			70																					
						52	51																							
						73				32		30																		
SALEABLE	NOT APPLICABLE	34566-4113	0	B	ST GRN	72			70																					
						52	51																							
						73				32		30																		
SALEABLE	NOT APPLICABLE	34566-4123	9	A	BLACK	72			70																					
						52	51																							
						73				32		30																		
SALEABLE	NOT APPLICABLE	34566-4133	9	B	ST GRN	72			70																					
						52	51																							
						73				32		30																		
SALEABLE	NOT APPLICABLE	34566-4143	0	B	ST GRN	72			70																					
						52	51																							
						73				32		30																		
SALEABLE	NOT APPLICABLE	34566-4153	0	B	ST GRN	72			70																					
						52	51																							
						73				32	31	30	29	28	27	26	25	24	23											
SALEABLE	NOT APPLICABLE	34566-4163	0	B	ST GRN	72			70																					
						52	51																							
						73				32	31	30	29	28	27	26	25	24												
SALEABLE	NOT APPLICABLE	34566-4173	0	A	BLACK	72	71		70																					
						52	51																							
						73				32		30																		
SALEABLE	NOT APPLICABLE	34566-4183	0	C	BLUE	72			70																					
						52	51																							
						73				32		30																		
SALEABLE	NOT APPLICABLE	34566-4193	0	C	BLUE	72			70																					
						52	51																							
						73				32		30																		
SALEABLE	NOT APPLICABLE	34566-4213	0	A	BLACK	72	71																							
						52	51																							
						73				32		30																		
SALEABLE	NOT APPLICABLE	34566-4223	0	A	BLACK	72	71																							
						52	51																							
						73				32		30																		

MX123 52/66/73/80-WAY RECEPTACLE ASSY SEALED PIN OUT SHEET

STATUS	GM PART #	HRNS CONN ASSY			TPA	GROMMET CAP																						
		MATERIAL/PART	WIRE DRESS OPTION	KEY OPTION Fp		COLOR OPTION Fp	NUMBERS INDICATE CAVITIES OPEN FOR CIRCUITS Fp																					
		NUMBER																										
SALEABLE	NOT APPLICABLE	34566-4393	0	G	BLUE			78	77		75	74		72		70	69		67		65	64	63	62				
						60		58	57		55	54		52	51	50	49		47		45							
						40		38	37				33	32	31				27	26	25	24						
						20		18	17									10	9	8		6	5		3	2	1	
SALEABLE	NOT APPLICABLE	34566-4413	0	B	ST GRAY									63			59	58	57	56	55		53					
								50	49	48		46		43			39	38	37	36	35	34	33					
						73							29		27			23	22	21						18		
										16	15	14								7	6	5	4	3				
SALEABLE	NOT APPLICABLE	34566-4423	9	C	BLUE	72		70		68	67	66		63	62		59		57					53				
						52	51			48	47	46		44		42		40	39	38	37	36			34	33		
						73							32		30			27	26	25	24		22	21				
											15	14						10	9	8		6	5	4			2	
SALEABLE	NOT APPLICABLE	34566-4433	9	A	BLACK			70	69					63	62	61	60		58	57	56	55	54	53				
						52	51	50	49				44	43	42	41	40			37	36				34	33		
						73							32			29	28	27	26							19	18	
										16	15	14	13	12	11	10											3	
SALEABLE	NOT APPLICABLE	34566-4443	9	A	BLACK						67	66																
										48	47					41												
						73							32	31	30	29		27	26	25		22	21			19	18	17
										16	15	14	13															1
SALEABLE	NOT APPLICABLE	34566-4453	0	A	BLACK	72	71	70	69					63	62	61	60	59	58	57	56	55	54	53				
						52	51	50	49	48		46	45	44	43	42	41	40	39	38	37	36	35	34	33			
						73									28				24	23						20		
															12	11											2	1
SALEABLE	NOT APPLICABLE	34566-4463	9	B	ST GRAY									63										53				
										48	47		45		43	42		39						35	34	33		
						73											11									19		
																												1
SALEABLE	NOT APPLICABLE	34566-4473	0	B	ST GRAY								64	63	62		59	58						53				
										47		45		43	42		39							35	34	33		
						73												26	25		23	22						
																											3	1
SALEABLE	NOT APPLICABLE	34566-4483	9	C	BLUE	72		70		68	67	66		63	62		59	58	57	56	55			53				
						52	51		49	48	47	46		44		40	39	38	37	36					34	33		
						73							32		30			27	26	25	24	23	22	21	20	19	18	17
											15	14	13				10	9	8	7	6	5	4	3	2	1		
SALEABLE	NOT APPLICABLE	34566-4493	9	A	BLACK	72	71	70	69		67			64	63	62	61	60	59	58	57	56	55	54	53			
						52	51	50	49	48	47		45	44	43	42	41	40	39		37	36			34			
						73							32		30	29	28	27	26		24	23		21		19	18	17
										16	15	14	13	12	11	10				8			5			3	2	1
SALEABLE	NOT APPLICABLE	34566-4513	9	B	ST GRAY	72	71	70		68	67	66				62	61	60	59	58	57	56	55	54	53			
						52	51	50		48	47	46				42	41	40	39	38	37	36	35	34	33			
						73							32	31	30	29	28	27	26	25	24	23				19	18	17
										16	15	14	13				10		8	7						3	2	1
SALEABLE	NOT APPLICABLE	34566-4523	0	G	BLUE			78	77		75	74		72		70	69		67		65	64	63	62				
						60		58	57		55	54		52	51	50	49		47		45							
						40		38	37						31				27	26	25	24						
						20		18	17									10	9	8		6	5		3	2	1	
SALEABLE	NOT APPLICABLE	34566-4533	0	A	BLACK	72			69		67		65		63		60			57	56				53			
									49		47		44	43		40			37	36	35					33		
						73							31	30	29	28			24			21	20				17	
										16	15	14	13			11	10						5	4	3	2	1	
SALEABLE	NOT APPLICABLE	34566-4543	0	B	ST GRAY					68	67			64	63			58	57		55			53				
												46	45		43				38	37				35				
						73							32		30	29	28	27				22	21			19		17
															12		10											1
SALEABLE	NOT APPLICABLE	34566-4553	0	B	ST GRAY					68	67			64	63			58	57					53				
												46	45		43				38	37								
						73							32		30	29	28	27				22	21					17
																	12		10									

MX123 52/66/73/80-WAY RECEPTACLE ASSY SEALED PIN OUT SHEET

STATUS	GM PART #	HRNS CONN ASSY			TPA	GROMMET CAP																						
		MATERIAL/PART	WIRE DRESS OPTION	KEY OPTION Fp	COLOR OPTION Fp	NUMBERS INDICATE CAVITIES OPEN FOR CIRCUITS																						
		NUMBER				Fp																						
SALEABLE	NOT APPLICABLE	34566-4733	0	A	BLACK	72	71	70	69					64	63			60	59	58		56	55	54	53			
						52	51		49		47		45	44	43	42	41						21		36		19	18
						73				32		30		28		26							5				3	
SALEABLE	NOT APPLICABLE	34566-4743	9	A	BLACK	72	71	70	69		67		65	64	63	62	61	60	59	58	57	56	55	54	53			
						52	51	50	49	48	47		45	44	43	42	41	40	39			37	36			34		
						73				32		30	29	28	27	26		24	23				21				19	18
SALEABLE	NOT APPLICABLE	34566-4753	0	B	ST GRY					68	67			64						58								
											46	45										38						
						73				32		30	29	28	27							22						17
SALEABLE	NOT APPLICABLE	34566-4763	0	B	ST GRY					68	67			64														
											46	45																
						73				32		30	29	28	27													17
SALEABLE	NOT APPLICABLE	34566-4773	0	B	ST GRY					68	67			64					59	58				54				
											46	45									39	38						
						73				32		30	29	28	27						23	22						17
SALEABLE	NOT APPLICABLE	34566-4783	0	B	ST GRY					68	67			64	63									55				
											46	45			43											35		
						73				32		30	29	28	27							22					19	17
SALEABLE	NOT APPLICABLE	34566-4793	0	B	ST GRY					68	67			64	63													
											46	45			43													
						73				32		30	29	28	27							22						17
SALEABLE	NOT APPLICABLE	34566-4813	9	B	ST GRY					68	67			64					59	58					54			
											46	45									39	38						
						73				32		30	29	28	27						23	22						17
SALEABLE	NOT APPLICABLE	34566-4823	0	C	BLUE					68	67	66	65	64					59	58	57			55	54	53		
							51	50	49	48		46	45		43	42	41	40	39	38	37					35		33
						73				32	31	30				26		24	23	22					20			
SALEABLE	NOT APPLICABLE	34566-4833	0	C	BLUE	72			70		68	67	66			63	62			59		57				53		
						52	51			48	47	46		44		42		40	39			37	36				34	33
						73				32		30			27	26	25	24				22	21					
SALEABLE	NOT APPLICABLE	34566-4843	0	C	BLUE	72			70		68	67	66			63	62			59		57				53		
						52	51			48	47	46		44		42		40	39	38	37	36					34	33
						73				32		30			27	26	25	24				22	21					
SALEABLE	NOT APPLICABLE	34566-4853	0	C	BLUE	72			70		68		66			63	62			59		57	56	55		53		
						52	51			48	47	46		44		42		40	39			37	36				34	33
						73				32		30			27	26	25	24				22	21				19	18
SALEABLE	NOT APPLICABLE	34566-4863	0	C	BLUE	72			70		68		66			63	62			59		57				53		
						52	51			48	47	46		44		42		40	39	38	37	36					34	33
						73				32		30			27	26	25	24				22	21					
SALEABLE	NOT APPLICABLE	34566-4873	0	C	BLUE	72			70		68		66			63	62			59		57				53		
						52	51			48	47	46		44		42		40	39			37	36				34	33
						73				32		30			27	26	25	24				22	21					
SALEABLE	NOT APPLICABLE	34566-4883	9	A	BLACK	72				69			67		65		63			60		57	56			53		
									49		47	46		44	43			40				37	36	35				33
						73				32		30	29	28				24				21	20					
										16	15	14	13											1				

MX123 52/66/73/80-WAY RECEPTACLE ASSY SEALED PIN OUT SHEET

Table with columns for STATUS, GM PART #, HRNS CONN ASSY, TPA, GROMMET CAP, and a grid of pin numbers (80-1). Includes sub-headers for MATERIAL/PART, WIRE DRESS OPTION, KEY OPTION, and COLOR OPTION. A note states 'NUMBERS INDICATE CAVITIES OPEN FOR CIRCUITS'.

MX123 52/66/73/80-WAY RECEPTACLE ASSY SEALED PIN OUT SHEET

STATUS	GM PART #	HRNS CONN ASSY			TPA	GROMMET CAP																						
		MATERIAL/PART	WIRE DRESS OPTION	KEY OPTION Fp	COLOR OPTION Fp	NUMBERS INDICATE CAVITIES OPEN FOR CIRCUITS Fp																						
		NUMBER																										
SALEABLE	NOT APPLICABLE	34566-5233	0	C	BLUE	72		70		68	67	66			63	62			59		57	56	55		53			
						52	51			48	47	46		44		42		40	39	38		22	21		19	18	34	33
						73						32		30				26	25			6	5	4	3			
SALEABLE	NOT APPLICABLE	34566-5243	0	C	BLUE	72	71	70	69	68	67	66	65		63	62	61		59	58	57	56	55	54	53			
							51	50	49	48		46	45	44	43	42	41	40	39	38		22	21	20	19	18	17	
						73						32	31	30	29	28	27	26	25			7	6	5	4	3	2	1
SALEABLE	NOT APPLICABLE	34566-5253	0	B	ST GRAY						67	66			63			59	58	57	56	55		53				
								50	49	48		46	45		43			39	38	37	36	35	34	33				
						73								29	27					23	22	21					18	
SALEABLE	NOT APPLICABLE	34566-5263	0	B	ST GRAY						67	66			63			59	58	57	56	55		53				
								50	49	48		46	45		43			39	38	37	36	35	34	33				
						73								29	27					23	22	21					18	
SALEABLE	NOT APPLICABLE	34566-5273	0	A	BLACK			70	69						63	62	61	60		58	57	56	55	54	53			
						52	51		49					44	43	42	41					37	36			34		
						73						32			29	28	27	26			23						19	18
SALEABLE	NOT APPLICABLE	34566-5283	0	C	BLUE	72		70		68	67	66			63	62	61	60		59		57	56	55	54	53		
						52	51			48	47	46		44		42		40	39								34	33
						73						32		30				26	25			22	21		19	18		
SALEABLE	NOT APPLICABLE	34566-5293	0	A	BLACK			70	69						63	62	61	60		58	57	56	55	54	53			
						52	51		49					44	43	42	41	40					37	36			34	
						73						32			29	28	27	26									19	18
SALEABLE	NOT APPLICABLE	34566-5313	0	C	BLUE			70		68	67	66			63	62			59		57	56	55		53			
						52	51			48	47	46		44		42		40	39	38	37	36					34	33
						73						32		30			27	26	25	24		22	21		19	18		
SALEABLE	NOT APPLICABLE	34566-5323	0	G	BLUE	80		78	77		75	74	73	72		70	69		67		65	64	63	62				
						60		58	57		55	54		52	51	50	49		47		45							
						40		38	37					33	32	31				27	26	25	24					
SALEABLE	NOT APPLICABLE	34566-5333	0	A	BLACK			70	69						63	62	61	60		58	57	56	55	54	53			
						52	51		49					44	43	42	41	40					37	36			34	
						73						32			29	28	27	26									19	18
SALEABLE	NOT APPLICABLE	34566-5343	0	B	ST GRAY					68	67			64				59	58					54				
											46	45						39	38									
						73						32		30	29	28	27			23	22							17
SALEABLE	NOT APPLICABLE	34566-5353	9	B	ST GRAY					68	67			64	63			59	58			55	54					
											46	45	44	43				39	38					35	34			
						73						32		30	29	28	27			23	22				19			17
SALEABLE	NOT APPLICABLE	34566-5363	0	C	BLUE			70		68		66			63	62			59		57				53			
						52	51			48	47	46		44		42		40	39	38							34	33
						73						32		30				26	25			22	21					
SALEABLE	NOT APPLICABLE	34566-5373	0	C	BLUE			70		68		66			63	62			59		57				53			
						52	51			48	47	46		44		42		40	39								34	33
						73						32		30				26	25			22	21					
SALEABLE	NOT APPLICABLE	34566-5383	0	C	BLUE			70		68		66			63	62			59		57				53			
						52	51			48	47	46		44		42		40	39								34	33
						73						32		30				26	25	24		22	21					2

MX123 52/66/73/80-WAY RECEPTACLE ASSY SEALED PIN OUT SHEET

STATUS	GM PART #	HRNS CONN ASSY			TPA	GROMMET CAP																															
		MATERIAL/PART	WIRE DRESS OPTION	KEY OPTION Fp	COLOR OPTION Fp	NUMBERS INDICATE CAVITIES OPEN FOR CIRCUITS																															
		NUMBER				Fp																															
SALEABLE	NOT APPLICABLE	34566-5393	0	A	BLACK			70	69										63								56	55	54	53							
						52	51		49							44	43	42	41											36		34					
						73				32						28		26													23		21			19	18
SALEABLE	NOT APPLICABLE	34566-5413	0	A	BLACK			70	69											63								56	55	54	53						
						52	51		49							44	43	42	41											36		34					
						73				32						28		26													23		21			19	18
SALEABLE	NOT APPLICABLE	34566-5423	0	A	BLACK			70	69												63								56	55	54	53					
						52	51		49							44	43	42	41											36		34					
						73				32						28		26													23		21			19	18
SALEABLE	NOT APPLICABLE	34566-5433	9	B	ST GRAY					68	67																59	58			54						
																46	45														39	38					
						73				32						30	29	28	27													23	22				
SALEABLE	NOT APPLICABLE	34566-5443	9	B	ST GRAY					68	67																59	58			54						
																46	45														39	38					
						73				32						30	29	28	27													23	22				
SALEABLE	NOT APPLICABLE	34566-5453	0	B	ST GRAY					68	67																59	58			54						
																46	45														39	38					
						73				32						30	29	28	27													23	22				
SALEABLE	NOT APPLICABLE	34566-5463	0	A	BLACK	72			70													63															
						52			49																												
						73				16						31	30															23					20
SALEABLE	NOT APPLICABLE	34566-5473	0	A	BLACK	72	71		70																			60	59			56		53			
						52	51									48	47	46	45	44	43	42	41	40													
						73				16						31	30	29	28	27	26	25	24	23									20	19			17
SALEABLE	NOT APPLICABLE	34566-5483	0	B	ST GRAY	72			70																		60	59					55	54	53		
						52			50							48		46												40	39				35	34	33
						73				32						31	30	29	28	27	26	25	24											20			
SALEABLE	NOT APPLICABLE	34566-5493	0	A	BLACK					68	67																59	58	57	56	55	54	53				
						52	51		49																							37	36			34	
						73				32						28		26																		19	18
SALEABLE	NOT APPLICABLE	34566-5513	9	B	ST GRAY					68	67																58				55						
																46	45														38			35			
						73				32						30	29	28	27														22			19	
SALEABLE	NOT APPLICABLE	34566-5523	9	A	BLACK	72				69																	60				57	56			53		
									49																								37	36	35		33
						73				16						31	30	29	28	27	26	25	24										21	20			17
SALEABLE	NOT APPLICABLE	34566-5533	9	B	ST GRAY					68	67																59	58					54				
																46	45															39	38				
						73				32						30	29	28	27														23	22			
SALEABLE	NOT APPLICABLE	34566-5543	9	A	BLACK					68	67																59	58					54				
																46	45															39	38				
						73				32						30	29	28	27														23	22			
SALEABLE	NOT APPLICABLE	34566-5553	9	B	ST GRAY					68	67																59	58					54				
																46	45															39	38				
						73				32						30	29	28	27														23	22			

MX123 52/66/73/80-WAY RECEPTACLE ASSY SEALED PIN OUT SHEET

STATUS	GM PART #	HRNS CONN ASSY			TPA	GROMMET CAP																												
		MATERIAL/PART	WIRE DRESS OPTION	KEY OPTION	COLOR	NUMBERS INDICATE CAVITIES OPEN FOR CIRCUITS																												
		NUMBER		OPTION ▽ Fp	OPTION ▽ Fp	▽ Fp																												
SALEABLE	NOT APPLICABLE	34566-5563	0	A	BLACK	72	71	70	69						64	63			60	59	58	57	56	55	54	53								
						52	51		49	48	47		45	44	43	42	41								37	36				19	18	17		
						73				32					28		26															3	2	1
						73				16	15				12		10																	
SALEABLE	NOT APPLICABLE	34566-5573	0	C	BLUE	72		70		68		66			63	62			59	58	57	56	55			53								
						52	51		49	48	47	46		44		42		40	39	38	37	36					34	33						
						73				32		30				26	25	24	23	22	21	20	19	18	17									
						73					15	14	13				10	9	8	7	6	5	4											
SALEABLE	NOT APPLICABLE	34566-5583	0	B	ST GRAY	72		70		68		66			64	63			60	59					55	54	53							
						52		50		48		46						40	39								35	34	33					
						73				32	31	30	29	28	27	26	25	24	23					20									17	
						73												10		8	7		5	4							2	1		
SALEABLE	NOT APPLICABLE	34566-5593	0	C	BLUE	72		70		68		66			63	62			59		57				55	54	53							
						52	51			48	47	46		44		42		40	39									34	33					
						73				32		30				26	25		23	22	21													
						73						15	14				10	9		7	6	5	4											
SALEABLE	NOT APPLICABLE	34566-5613	0	C	BLUE	72		70		68					63	62			59	58	57					53								
						52	51			48	47			44		42		40	39		37	36					34	33						
						73				32		30			27	26	25	24	23	22	21	20												
						73						15	14	13				8	7	6	5	4							2	1				
SALEABLE	NOT APPLICABLE	34566-5623	0	C	BLUE	72		70		68					63	62			59		57					53								
						52	51			48	47			44		42		40	39		37	36					34	33						
						73				32		30			27	26	25	24	23	22	21	20												
						73						15	14	13				8	7	6	5	4								2				
SALEABLE	NOT APPLICABLE	34566-5633	0	B	ST GRAY	72									62	61																		
						52				48		46		44	43		41	40								20	19	18						
						73						30																4						
						73				16	15	14																						
SALEABLE	NOT APPLICABLE	34566-5643	0	B	ST GRAY	72									62	61																		
						52				48		46			43		41	40																
						73						30																20	19	18				
						73				16	15	14																	4					
SALEABLE	NOT APPLICABLE	34566-5653	0	A	BLACK	72	71	70	69	68		66	65	64	63		61	60				57	56			54	53							
						52	51	50	49	48		46	45	44	43		40	39	38	37	36					34	33							
						73				32	31	30	29	28		26	25		23	22	21													
						73						15	14	13	12			9		7	6	5								2				
SALEABLE	NOT APPLICABLE	34566-5663	0	C	BLUE				69		67	66		64		62		60			57			55	54									
						52	51	50		48		46	45	44		42						37				35	34	33						
						73				32	31			28	27	26												19	18					
						73				16	15	14			12	11	10	9																
SALEABLE	NOT APPLICABLE	34566-5673	0	C	BLUE				69		67	66		64		61	60			57				55	54									
						52	51	50	49	48		46	45	44		41				37						34	33							
						73				32	31			28	27		25											18						
						73				16	15	14	13	12	11	10	9		8	7														
SALEABLE	NOT APPLICABLE	34566-5683	0	B	ST GRAY	72									62	61																		
						52				48		46		44	43		41	40								20	19	18						
						73						30																4						
						73				16		14																						
SALEABLE	NOT APPLICABLE	34566-5693	0	A	BLACK	72	71	70	69	68		66	65	64	63		61	60				57	56			54	53							
						52	51	50	49	48		46	45	44	43		40	39	38	37	36					34	33							
						73				32	31	30	29	28		26	25		23	22	21	20												
						73						15	14	13	12			9		7	6	5	4							2				
SALEABLE	NOT APPLICABLE	34566-5713	0	C	BLUE				69		67	66		64		62		60			57			55	54									
						52	51	50		48		46	45	44		42				37						35	34	33						
						73				32	31			28	27	26												19	18	17				
						73				16	15	14	13	12	11	10	9	8	7															
SALEABLE	NOT APPLICABLE	34566-5723	0	C	BLUE				69		67	66		64		61	60			57				55	54									
						52	51	50	49	48		46	45	44		41			37							34	33							
						73						31			28	27		25										18						
						73				16	15	14	13	12	11	10	9	8	7															

MX123 52/66/73/80-WAY RECEPTACLE ASSY SEALED PIN OUT SHEET

STATUS	GM PART #	HRNS CONN ASSY			TPA	GROMMET CAP																						
		MATERIAL/PART	WIRE DRESS OPTION	KEY OPTION Fp	COLOR OPTION Fp	NUMBERS INDICATE CAVITIES OPEN FOR CIRCUITS																						
		NUMBER				Fp																						
SALEABLE	NOT APPLICABLE	34566-5733	0	A	BLACK	71	70	69					64	63			60	59	58	57	56	55	54	53				
						52	51		49				45	44	43	42	41							36				
						73				32		30			28		26									19	18	
SALEABLE	NOT APPLICABLE	34566-5743	0	A	BLACK	71	70	69					64	63			60	59		57	56	55	54	53				
						52	51		49				45	44	43	42	41							37	36			
						73				32		30			28		26									19	18	
SALEABLE	NOT APPLICABLE	34566-5753	0	A	BLACK	71	70	69					64	63			60	59		57	56	55	54	53				
						52	51		49				45	44	43	42	41							37	36			
						73				32		30			28		26			23		21			19	18		
SALEABLE	NOT APPLICABLE	34566-5763	0	C	BLUE	72		70		68		66			63	62			59	57					53			
						52	51			48	47	46		44		42		40	39			37	36			34	33	
						73				32		30			27	26	25	24			22	21	20					
SALEABLE	NOT APPLICABLE	34566-5773	0	C	BLUE	72		70		68		66			63	62			59	58	57				53			
						52	51			48	47			44		42		40	39			37	36			34	33	
						73				32		30			27	26	25	24			22	21	20					
SALEABLE	NOT APPLICABLE	34566-5783	0	C	BLUE	72		70		68		66			63	62			59	57					53			
						52	51			48	47			44		42		40	39			37	36			34	33	
						73				32		30			27	26	25	24			22	21	20					
SALEABLE	NOT APPLICABLE	34566-5793 SAME AS P/N 34566-4013	0	B	ST GRN	72		70		68		66					60	59						55	54	53		
						52		50		48		46					40	39							35	34	33	
						73				32	31	30	29	28	27	26	25	24										
SALEABLE	NOT APPLICABLE	34566-5813	0	B	ST GRN	72		70		68		66					60	59						55	54	53		
						52		50		48		46					40	39							35	34	33	
						73				32	31	30	29	28	27	26	25	24	23							19	18	17
SALEABLE	NOT APPLICABLE	34566-5823	0	A	BLACK	72		70							63													
						52			49						43		41											
						73					31	30		28	27	26			23						20	19		
SALEABLE	NOT APPLICABLE	34566-5833	0	A	BLACK	72		70							63													
						52			49						43		41											
						73					31	30		28	27	26			23						20	19		
SALEABLE	NOT APPLICABLE	34566-5843	0	H	ST GRN	79																						
							59		57				74	73	72	71			68	67			65	64	63	62	61	
								38						34	33				29	27			25					
SALEABLE	NOT APPLICABLE	34566-5853	0	H	ST GRN	79																						
							59		57				74	73	72	71			68	67			65	64	63	62	61	
								38						34	33				29	27			25					
SALEABLE	NOT APPLICABLE	34566-5863	0	C	BLUE	72		70							63	62			59		57	56	55		53			
						52	51						46	44		42		40	39			37	36			34	33	
						73				32		30				26	25			22	21				19	18		
SALEABLE	NOT APPLICABLE	34566-5873	0	B	ST GRN	72																						
						52				48	47	46		44	43		41	40								20	19	18
						73				16	15	14													4			
SALEABLE	NOT APPLICABLE	34566-5883	0	B	ST GRN	72										62	61											
						52				48	47	46			43		41	40								20	19	18
						73				16	15	14													4			

MX123 52/66/73/80-WAY RECEPTACLE ASSY SEALED PIN OUT SHEET

STATUS	GM PART #	HRNS CONN ASSY			TPA	GROMMET CAP																				
		MATERIAL/PART	WIRE DRESS OPTION	KEY OPTION Fp	COLOR OPTION Fp	NUMBERS INDICATE CAVITIES OPEN FOR CIRCUITS																				
		NUMBER				Fp																				
SALEABLE	NOT APPLICABLE	34566-5893	0	C	BLUE	52	51	50	69	48	67	66	45	44	62	60	57	55	54	33	34	35	19	18		
						73				32	28	27	26	11	10	9										
						73				16	15	14	13	12	11	10	9									
SALEABLE	NOT APPLICABLE	34566-5913	0	C	BLUE	52	51	50	49	69	67	66	64	61	60	57	54	33	34	35	19	18				
						73				32	28	27	26	11	10	9										
						73				16	15	14	13	12	11	10	9									
SALEABLE	NOT APPLICABLE	34566-5933	0	C	BLUE	72		70		68	67	66		63	62	59	57	56	55	33	34					
						52	51			48	47	46	44	42	40	39										
						73				32	30			26	25	23	22	21								
SALEABLE	NOT APPLICABLE	34566-5943	0	C	BLUE	72		70		68	67	66		63	62	59	57	56	55	33	34					
						52	51		49	48	47	46	44	42	40	39										
						73				32	30			27	26	25		22	21	20						
SALEABLE	NOT APPLICABLE	34566-5953	0	A	BLACK		71	70	69				65	64	63	62	61	60	58	57	56	55	54	53		
						52	51		49	48	47		45	44	43	42	41									
						73				32	30	29	28	27	26		24									
SALEABLE	NOT APPLICABLE	34566-5963	0	B	ST GRAY	72	71	70		68	67	66			62	61	60	59	58	57	56	55	54	53		
						52	51	50		48	47	46			42	41	40	39	38	37	36	35	34	33		
						73				32	31	30	29	28	27	26	25	24								
SALEABLE	NOT APPLICABLE	34566-5973	0	C	BLUE	72		70		68	67	66		63	62	59	57	56	55	33	34					
						52	51			48	47	46	44	42	40	39										
						73				32	30			27	26	25		22	21							
SALEABLE	NOT APPLICABLE	34566-5983	0	C	BLUE				69		67	66	64		62		60		57	55	54					
						52	51	50		48		46	45	44	42											
						73				32			28	27	26											
SALEABLE	NOT APPLICABLE	34566-5993	0	A	BLACK		71	70	69		67	66	65		63	62	61	60	58	57	56	55	54	53		
						52	51	50	49	48	47		45	44	43	42	41	40	39	37	36	35	34			
						73				32	31	30	29	28	27	26	25	24	23		21	20	19	18	17	
SALEABLE	NOT APPLICABLE	34566-6013	0	B	ST GRAY				69		67		65			61	60	59	58	57			54	53		
							51	50	49	48	47	46	45		43		40	39		37						
						73				32	31	30	29			26		24	23	22	21	20				
SALEABLE	NOT APPLICABLE	34566-6023	0	A	BLACK	72	71	70	69		68	67				60	59	58	57	56			54	53		
						52	51	50	49	48	47		45	44	43		40	39	38	37	36	35	34	33		
						73				32	31	30	29	28			24	23	22	21	20	19				
SALEABLE	NOT APPLICABLE	34566-6033	0	A	BLACK			70	69					63	62	61		58	57	56	55	54	53			
						52	51		49				44	43	42	41										
						73				32			29	28	27	26										
SALEABLE	NOT APPLICABLE	34566-6043	0	B	ST GRAY					68	67	66	65	64				58		55						
												46	45													
						73				32		30	29	28	27											
SALEABLE	NOT APPLICABLE	34566-6053	0	B	ST GRAY					68	67	66	65	64				58		55						
						52				48	47	46		43		41	40									
						73						30														
SALEABLE	NOT APPLICABLE	34566-6063	0	C	BLUE				69		67	66	64		62		60		57	55	54					
						52	51	50		48		46	45	44	42											
						73				32			28	27	26											

MX123 52/66/73/80-WAY RECEPTACLE ASSY SEALED PIN OUT SHEET

STATUS	GM PART #	HRNS CONN ASSY			TPA	GROMMET CAP																																				
		MATERIAL/PART	WIRE DRESS OPTION	KEY OPTION		COLOR OPTION	NUMBERS INDICATE CAVITIES OPEN FOR CIRCUITS																																			
		NUMBER		Fp			Fp	Fp																																		
SALEABLE	NOT APPLICABLE	34566-6073	0	C	BLUE	52	51	50	69	48	67	66	64	61	60	57	54	34	33	73																						
										32			28	27	25						18	17																				
										16	15	14	13	12	11	10	9																									
SALEABLE	NOT APPLICABLE	34566-6083	0	C	BLUE	72		70		68	67	66		63	62		59	57				53	73																			
						52	51			48	47	46		44		42		40	39		37	36		34	33																	
										32		30				26	25			22	21																					
SALEABLE	NOT APPLICABLE	34566-6093	0	B	ST GRAY	72		70			67			63	62	61	60	59						73																		
						52						46			43		41	40																								
																27									20	19	18															
SALEABLE	NOT APPLICABLE	34566-6113	0	A	BLACK	72	71	70	69	68		66	65	64	63	62	61	60	58	57	56	55	54	53	73																	
						52	51	50	49	48		46	45	44	43	42	41	40	39	38	37	36																				
										32	31	30	29	28	27	26	25			23	22	21	20	19	18																	
SALEABLE	NOT APPLICABLE	34566-6123	0	C	BLUE	52	51	50	69	48		46	45	44		42								54	73																	
															28	27	26																									
										16	15	14	13	12	11	10	9	8	7																							
SALEABLE	NOT APPLICABLE	34566-6133	9	C	BLUE	72		70		68	67			63	62		59	57						53	73																	
						52	51			48	47			44		42		40	39	38	37	36																				
										32		30				26	25	24			22	21																				
SALEABLE	NOT APPLICABLE	34566-6173	9	B	ST GRAY					67	66													73																		
										48	47					41																										
										32	31	30	29			27	26	25	24			22	21			19	18	17														
SALEABLE	NOT APPLICABLE	34566-6183	9	A	BLACK					66														73																		
										48	47					41																										
										32	31	30	29			27	26	25	24			22	21			19	18	17														
SALEABLE	NOT APPLICABLE	34566-6193	9	B	ST GRAY	72	71	70	69	68	67	66	65	64		62	61	60	59	58	57	56	55	54		73																
						52	51	50	49			46	44			41	40			38	37	36																				
										32	31	30	29	28	27	26	25	24			21	20																				
SALEABLE	NOT APPLICABLE	34566-6213	9	A	BLACK					67	66													73																		
										48	47					41																										
										32	31	30	29			27	26	25	24			22	21			19	18	17														
SALEABLE	NOT APPLICABLE	34566-6223	9	C	BLUE	72		70		68		66													73																	
						52	51			48	47	46		44				40	39																							
										32		30				27	26	25			22	21	20																			
SALEABLE	NOT APPLICABLE	34566-6233	9	B	ST GRAY	72		70		68		66					60	59								73																
						52		50		48		46				40	39								35	34	33															
										32	31	30	29	28	27	26	25	24																								
SALEABLE	NOT APPLICABLE	34566-6243	9	A	BLACK		71	70	69				64	63		60	59	58	57	56	55	54	53		73																	
						52	51	50	49				45	44	43	42	41		39		37	36																				
										32		30		28		26										19	18															
SALEABLE	NOT APPLICABLE	34566-6253	9	C	BLUE	72		70		68	67	66		63	62		59	57							53	73																
						52	51		49	48	47	46		44				40	39			37	36					33														
										32		30				27	26	25	24			22	21	20																		
SALEABLE	NOT APPLICABLE	34566-6263	9	B	ST GRAY	72	71	70		68	67	66				62	61	60	59	58	57	56	55	54	53	73																
						52	51	50		48	47	46				42	41	40	39	38	37	36	35	34	33																	
										32	31	30	29	28	27	26	25	24																								

MX123 52/66/73/80-WAY RECEPTACLE ASSY SEALED PIN OUT SHEET

STATUS	GM PART #	HRNS CONN ASSY			TPA	GROMMET CAP																				
		MATERIAL/PART	WIRE DRESS OPTION	KEY OPTION Fp	COLOR OPTION Fp	NUMBERS INDICATE CAVITIES OPEN FOR CIRCUITS																				
		NUMBER				Fp																				
SALEABLE	NOT APPLICABLE	34566-6273	9	B	ST GRAY	71	70	69				65	64	63	62	61	60		58	57	56	55	54	53		
						52	51	50	49	48	47		45	44	43	42	41	40	39				36			
						73						32		30	29	28	27	26		24					19	18
SALEABLE	NOT APPLICABLE	34566-6283	9	C	BLUE	72		70		68	67	66			63	62			59		57			53		
						52	51			48	47	46		44				40	39						34	33
						73						32		30			27	26	25		22	21				
SALEABLE	NOT APPLICABLE	34566-6293	9	B	ST GRAY	72	71	70		68	67	66			62	61	60	59	58	57	56	55	54	53		
						52	51	50		48	47	46			42	41	40	39	38	37	36	35	34	33		
						73						32	31	30	29	28	27	26	25	24						
SALEABLE	NOT APPLICABLE	34566-6313	9	B	ST GRAY	71	70	69						63	62	61	60		58	57	56	55	54	53		
						52	51	50	49					44	43	42	41	40	39			37	36		19	18
						73						32			29	28	27	26							3	
SALEABLE	NOT APPLICABLE	34566-6323	9	B	ST GRAY	71	70	69					64	63			60	59	58	57	56	55	54	53		
						52	51	50	49				45	44	43	42	41		39		37	36			34	
						73						32		30		28		26							19	18
SALEABLE	NOT APPLICABLE	34566-6333	9	C	BLUE	72		70		68	67	66			63	62			59		57	56	55	53		
						52	51			48	47	46		44				40	39						34	33
						73						32		30			27	26	25		22	21		19	18	
SALEABLE	NOT APPLICABLE	34566-6343	9	A	BLACK	71	70	69						63	62	61	60		58	57	56	55	54	53		
						52	51	50	49					44	43	42	41	40	39		37	36			34	
						73						32			29	28	27	26						19	18	17
SALEABLE	NOT APPLICABLE	34566-6353	9	C	BLUE	72		70		68		66			63	62			59	58	57	56	55	53		
						52	51			48	47	46		44				40	39						34	33
						73						32		30			27	26	25		23	22	21	20		
SALEABLE	NOT APPLICABLE	34566-6363	9	B	ST GRAY	72		70		68		66				60	59					55	54	53		
						52		50		48		46				40	39						35	34	33	
						73						32	31	30	29	28	27	26	25	24	23				19	18
SALEABLE	NOT APPLICABLE	34566-6373	9	A	BLACK	71	70	69		67			64	63			60	59	58	57	56	55	54	53		
						52	51	50	49		47		45	44	43	42	41	40	39		37	36			34	
						73						32		30		28		26		23		21		19	18	17
SALEABLE	NOT APPLICABLE	34566-6383	9	A	BLACK	72	71	70	69	68		66	65	64	63		61	60			57	56		54	53	
						52	51	50	49	48		46	45	44	43	42	41	40	39	38	37	36			34	33
						73						32	31	30	29	28				23	22	21				
SALEABLE	NOT APPLICABLE	34566-6393	9	C	BLUE	71	70	69		67	66	65	64		62	61	60		58	57		55	54			
						52	51	50	49	48	47	46	45	44		42	41		38	37			35	34	33	
						73						32			28	27	26	25						19	18	17
SALEABLE	NOT APPLICABLE	34566-6413	9	B	ST GRAY	72				68	67			63	62	61	60	59				55				
						52				48	47	46		44	43		41	40		38	37	36	35			
						73								30			27						20	19	18	17
SALEABLE	NOT APPLICABLE	34566-6423	9	C	BLUE	72	71	70	69		67	66	65	64					39	38		56		54		
						52	51	50	49		47	46	45	44					39	38					34	
						73								31	30	29	28		26	25		23	22	21		
SALEABLE	NOT APPLICABLE	34566-6433	9	A	BLACK	72		70			67			63			60	59	58	57	56	55				
						52	51			48	47	46			43	42		40	39	38	37	36	35			
						73										28	27			9		7	6	5		18

MX123 52/66/73/80-WAY RECEPTACLE ASSY SEALED PIN OUT SHEET

STATUS	GM PART #	HRNS CONN ASSY			TPA	GROMMET CAP																					
		MATERIAL/PART	WIRE DRESS OPTION	KEY OPTION Fp	COLOR OPTION Fp	NUMBERS INDICATE CAVITIES OPEN FOR CIRCUITS Fp																					
		NUMBER																									
SALEABLE	NOT APPLICABLE	34566-6443	9	B	ST GRAY	72	71	70	69	68	67	66	65	64	63		61	60			57	56	55				
						52	51	50	49	48	47	46	45	44	43		41	40			38	37	36	35	34	33	
						73				32	31	30	29	28		26	25	24	23	22	21	20	19	18	17		
SALEABLE	NOT APPLICABLE	34566-6453	0	C	BLUE		71	70	69		67		65	64		62	61	60			57			54			
						52	51	50	49	48	47	46	45	44		42	41			37				34	33		
						73				32				28	27	26	25								18	17	
SALEABLE	NOT APPLICABLE	34566-6463	0	B	ST GRAY	72				68	67					62	61							55			
						52				48	47	46			43			40									
						73						30										20	19	18			
SALEABLE	NOT APPLICABLE	34566-6473	9	C	BLUE			70	69		67	66		64		62		60			57		55	54			
						52	51	50		48		46	45	44		42			37				35	34	33		
						73				32				28	27	26								19	18	17	
SALEABLE	NOT APPLICABLE	34566-6483	9	A	BLACK	72	71	70	69	68		66	65	64	63		61	60			57	56		54	53		
						52	51	50	49	48		46	45	44	43			40	39	38	37	36		34	33		
						73				32	31	30	29	28		26	25		23	22	21	20					
SALEABLE	NOT APPLICABLE	34566-6493	9	B	ST GRAY	72			70							62	61							55			
						52				48	47	46			43		41	40									
						73						30										20	19	18			
SALEABLE	NOT APPLICABLE	34566-6513	0	B	ST GRAY	72				68	67					62	61						55	54			
						52						46			43			40									
						73				16	15	14						8				4	3	2			
SALEABLE	NOT APPLICABLE	34566-6523	0	B	ST GRAY					68	67			64					59	58				54			
												46	45					39	38								
						73				32		30	29	28	27			23	22								
SALEABLE	NOT APPLICABLE	34566-6533	9	B	ST GRAY					68	67			64													
												46	45														
						73				32		30	29	28	27												
SALEABLE	NOT APPLICABLE	34566-6543	9	A	BLACK	72	71	70	69	68		66	65	64	63		61	60			57	56		54	53		
						52	51	50	49	48		46	45	44	43			40	39	38	37	36		34	33		
						73				32	31	30	29	28		26	25		23	22	21	20					
SALEABLE	NOT APPLICABLE	34566-6553	9	A	BLACK	72	71	70	69		67		64	63		60	59	58	57	56	55	54	53				
						52	51	50	49		47		45	44	43	42	41	40	39	37	36						
						73				32		30		28		26							19	18	17		
SALEABLE	NOT APPLICABLE	34566-6563	9	C	BLUE	72			70		66			63	62			59	58	57					53		
						52	51			48	47	46		44			40	39									34
						73				32		30			27	26	25		23	22	21	20					
SALEABLE	NOT APPLICABLE	34566-6573	9	A	BLACK					68	67			64													
												47		45	44	43	42	41	40	39		37	36				
						73				32		30		28		26			23		21		19	18			
SALEABLE	NOT APPLICABLE	34566-6583	9	A	BLACK				70	69					63	62	61	60		58	57	56	55	54	53		
						52	51	50	49					44	43	42	41	40	39		37	36					34
						73				32			29	28	27	26									19	18	
SALEABLE	NOT APPLICABLE	34566-6593	0	C	BLUE				69		67			64		62		60			57		55	54			
						52	51	50		48		46	45	44		42				37				35	34	33	
						73				32				28	27	26								20	19	18	17

MX123 52/66/73/80-WAY RECEPTACLE ASSY SEALED PIN OUT SHEET

STATUS	GM PART #	HRNS CONN ASSY			TPA	GROMMET CAP																						
		MATERIAL/PART	WIRE DRESS OPTION	KEY OPTION Fp	COLOR OPTION Fp	NUMBERS INDICATE CAVITIES OPEN FOR CIRCUITS																						
		NUMBER				Fp																						
SALEABLE	NOT APPLICABLE	34566-6613	0	A	BLACK	72	71	70	69			66		64	63		61	60			57	56		54	53			
						52	51	50	49			46	45	44	43		26	25		23	22	21				34	33	
						73				32	31	30	29	28					9		7	6	5				2	1
SALEABLE	NOT APPLICABLE	34566-6623	9	B	ST GRAY						68	67		64					59	58			54					
											46	45						39	38									
						73				32		30	29	28	27					23	22							17
SALEABLE	NOT APPLICABLE	34566-6633	9	C	BLUE				69		67	66		64		62		60			57			54				
						52	51	50		48		46	45	44		42						37				34	33	
						73								28	27	26												
SALEABLE	NOT APPLICABLE	34566-6643	9	C	BLUE		71			68	67		65	64	63		61	60		58	57			54				
						52	51	50		48			45	44	43		41				38	37				34	33	
						73								28	27		25											18
SALEABLE	NOT APPLICABLE	34566-6653	9	B	ST GRAY	72				68						62	61	60	59					55				
						52				48	47	46		44	43		41	40		38	37	36	35					
						73						30											20	19	18			
SALEABLE	NOT APPLICABLE	34566-6663	9	A	BLACK					68			65	64	63									54				
						52	51	50	49	48		46	45	44	43	42		40	39	38	37	36				34		
						73				32	31	30	29	28			26	25		23	22	21	20					
SALEABLE	NOT APPLICABLE	34566-6673	9	B	ST GRAY		71			68	67	66	65	64	63		61	60	59		57	56	55					
						52	51	50	49	48	47	46	45	44	43		41	40	39	38	37	36	35	34	33			
						73				32	31	30	29	28			26		24	23	22	21	20	19	18	17		
SALEABLE	NOT APPLICABLE	34566-6683	9	A	BLACK					67						63		60	59	58	57							
						52				48	47	46			43	42		40	39	38	37							
						73				32	31	30	29	28	27							22	21					
SALEABLE	NOT APPLICABLE	34566-6693	9	C	BLUE		71				67	66	65	64								56		54				
						52	51	50	49		47	46	45	44					39	38						34		
						73						31	30	29	28			26	25	24	23	22	21					17
SALEABLE	TBD	34822-0063	9	A	BLACK			63	62	61	60	59					54	53		51		49	66					
								47								38	37		35		33							
						65									28				25			22	21	20	19	18	17	
SALEABLE	NOT APPLICABLE	34566-6713	9	A	BLACK		71				67																	
						52	51	50	49	48		46	45	44	43	42	41	40	39	38	37	36				34	33	
						73				32	31	30	29	28			26	25		23	22	21					2	1
SALEABLE	NOT APPLICABLE	34566-6723	0	H	ST GRAY		79						74	73					67		65	64	63	62	61			
							59							53	52							25		44	43	42	41	
								38														27						
SALEABLE	NOT APPLICABLE	34566-6733	0	G	BLUE																							
								78	77		75	74		72		70							64	63				
						60		58	57		55	54		52	51	50	49		47		45							
SALEABLE	NOT APPLICABLE	34566-6743	9	C	BLUE																							
						40	39	38	37				33	32	31				27	26								
						20	19	18	17									10	9	8		6		4	3	2	1	
SALEABLE	NOT APPLICABLE	34566-6753	9	A	BLACK		71			69	68	67		65	64	63		61	60		57	56		54	53			
						52	51	50		48		46	45	44	43	42		40	39	38	37	36				34	33	
						73								28	27		25											
SALEABLE	NOT APPLICABLE	34566-6753	9	A	BLACK		71																					
						52	51	50	49	48		46	45	44	43	42		40	39	38	37	36				34	33	
						73						31	30	29	28						23	22	21	20				

MX123 52/66/73/80-WAY RECEPTACLE ASSY SEALED PIN OUT SHEET

STATUS	GM PART #	HRNS CONN ASSY			TPA	GROMMET CAP																							
		MATERIAL/PART	WIRE DRESS OPTION	KEY OPTION Fp		COLOR OPTION Fp	NUMBERS INDICATE CAVITIES OPEN FOR CIRCUITS																						
		NUMBER					Fp																						
SALEABLE	NOT APPLICABLE	34566-6933	9	B	ST GRAY	72				68	67				63	62	61	60	59				55		53				
						52				48	47	46		44	43		41	40					38	37	36	35			
						73						30			27								22	21	20	19	18	17	
SALEABLE	NOT APPLICABLE	34566-6943	9	A	BLACK	72	71	70	69	68		66	65	64	63		61	60				57	56		54	53			
						52	51	50	49	48		46	45	44	43	42	41	40	39	38	37	36				34	33		
						73				32	31	30	29	28									23	22	21				
SALEABLE	NOT APPLICABLE	34566-6953	0	A	BLACK	72	71	70	69			66	65	64	63		61	60				57	56		54	53			
						52	51	50	49			46	45	44	43			40	39	38	37	36				34	33		
						73				32	31	30	29	28					26	25			23	22	21	20			
SALEABLE	NOT APPLICABLE	34566-6963	0	B	ST GRAY	72		70		68	67					62	61							55					
						52				48	47	46			43			40								20	19	18	
						73						30															4		2
SALEABLE	NOT APPLICABLE	34566-6973	0	C	BLUE		71	70	69			67		65	64		62	61	60				57		55	54			
						52	51	50	49	48	47	46	45	44		42	41								37		35	34	33
						73				32					28	27	26	25										19	18
SALEABLE	NOT APPLICABLE	34566-6983	0	C	BLUE		71		69			67		65	64		62	61	60				57			54			
						52	51	50		48	47	46	45	44		42									37			34	33
						73									28	27	26												18
SALEABLE	NOT APPLICABLE	34566-6993	0	G	BLUE			78	77	76										67	66	65							
						40	39	38	37	36	35	34	33	32				29	28						25				21
						20	19	18	17	16	15	14	13	12															3
SALEABLE	NOT APPLICABLE	34566-7013	9	A	BLACK		71	70	69					64	63	62	61	60	59	58	57	56	55	54	53				
						52	51	50	49				45	44	43	42	41		39		37	36					34		
						73				32				29	28	27	26											19	18
SALEABLE	NOT APPLICABLE	34566-7023	0	A	BLACK	72	71	70	69	68		66	65	64			61	60				57	56		54	53			
						52	51	50	49	48		46	45	44	43			40	39	38	37	36				34	33		
						73						31	30	29	28				26	25			23	22	21	20			
SALEABLE	NOT APPLICABLE	34566-7033	0	A	BLACK			70	69					65		63	62	61	60			58	57	56	55	54	53		
						52	51		49					44	43	42	41							37	36			34	
						73				32				29	28	27	26								21			19	18
SALEABLE	NOT APPLICABLE	34566-7043	0	B	ST GRAY	72				68	67				63	62	61	60	59					55					
						52						46			43		41	40											
						73												27									20	19	18
SALEABLE	NOT APPLICABLE	34566-7053	0	C	BLUE		71		69			67		65	64		62	61	60				57			54			
						52	51	50	49	48	47	46	45	44		42	41								37			34	33
						73				16	15	14	13	12	11	10	9	8	7										
SALEABLE	NOT APPLICABLE	34566-7063	0	C	BLUE	72		70		68	67	66			63	62			59			57				53			
						52	51			48	47	46		44				40	39								34	33	
						73				32		30					26	25					22	21					
SALEABLE	NOT APPLICABLE	34566-7073	9	F	NATURAL				69	68											58	57				33			
						73																					19	18	17
						73																						3	2
SALEABLE	NOT APPLICABLE	34566-7083	9	B	ST GRAY																								
						73				16	15	14	13	12	11	10			8	7							3	2	1

MX123 52/66/73/80-WAY RECEPTACLE ASSY SEALED PIN OUT SHEET

STATUS	GM PART #	HRNS CONN ASSY			TPA	GROMMET CAP																							
		MATERIAL/PART	WIRE DRESS OPTION	KEY OPTION	COLOR	NUMBERS INDICATE CAVITIES OPEN FOR CIRCUITS																							
		NUMBER		OPTION Fp	OPTION Fp	Fp																							
SALEABLE	NOT APPLICABLE	34566-7093	9	B	ST GRY	72	71	70	69	68	67	66	65	64	63				59							53			
						52	51	50	49	48	47	46	45	44	43				39								34	33	
						73				32	31	30	29	28	27	26	25	24	23										
						73				16	15	14	13	12	11	10		8	7									3	2
SALEABLE	NOT APPLICABLE	34566-7113	9	G	BLUE	80	79	78		76					71			67											
						60	59	58	57			54			51	50	49	48	47					44			41		
						40	39		37				33	32		30	29	28	27				25	24					
						20	19	18						12	11		9	8				5				3	2		
SALEABLE	NOT APPLICABLE	34566-7123	9	G	BLUE	80	79	78							71			67											
						60	59	58	57			54			51	50	49	48	47					44			41		
						40	39						33	32		30	29	28	27				25	24					
						20	19	18						12	11		9	8				5				3	2		
SALEABLE	NOT APPLICABLE	34566-7133	9	B	ST GRY												58							54	53				
															42														
						73									27		25												
						73										10													
SALEABLE	NOT APPLICABLE	34566-7143	0	A	BLACK			70	69						63			60	59	58	57	56	55	54	53				
						52	51		49	48	47			44	43	42	41							37	36		34	33	
						73				32					28												19	18	
						73				16	15				12		10											3	
SALEABLE	NOT APPLICABLE	34566-7153	0	C	BLUE	72		70		68	67		66			63	62		59	58	57				53				
						52	51		49	48	47	46		44			42		40	39			37	36			34	33	
						73				32		30					26	25	24			22	21			19	18	17	
						73					15	14					10	9	8			6	5	4				2	1
SALEABLE	NOT APPLICABLE	34566-7163	0	A	BLACK	72		70	69	68	67						61	60					56	55	54	53			
						52		50	49	48	47		45	44	43		41	40							35	34	33		
						73									29	28			25	24					20	19	18	17	
						73				16	15					11			9	8	7	6	5	4	3	2	1		
SALEABLE	NOT APPLICABLE	34566-7173	0	B	ST GRY					68	67	66	65	64	63					58					55				
												46	45		43												34		
						73				32		30	29	28	27								22						17
						73				16																			
SALEABLE	NOT APPLICABLE	34566-7183	0	B	ST GRY	72	71	70	69	68	67	66	65	64	63	62	61	60	59	58	57	56	55	54	53				
						52	51	50	49	48	47	46	45	44	43	42	41	40	39	38	37	36	35	34	33				
						73				32	31	30	29	28	27	26	25	24			22	21	20	19	18	17			
						73				16	15	14	13	12	11	10	9	8	7	6	5	4	3	2	1				
SALEABLE	NOT APPLICABLE	34566-7193	0	A	BLACK	72		70	69							63	62	61	60						53				
						52	51		49					44	43	42	41							37	36		34		
						73				32					29	28	27	26									19	18	17
						73				16	15				13	12	11	10									3	2	1
SALEABLE	NOT APPLICABLE	34566-7213	0	A	BLACK			70	69									58						54					
						52	51		49		47			44	43	42	41		39						36		34		
						73				32					28		26										19	18	17
						73				16					12		10										3	2	1
SALEABLE	NOT APPLICABLE	34566-7223	0	C	BLUE	72		70		68		66				63	62		59		57				53				
						52	51			48	47	46		44			42		40	39			37	36			34	33	
						73				32		30					26	25	24			22	21	20					
						73					15	14	13				10	9	8			6	5	4					2
SALEABLE	NOT APPLICABLE	34566-7233	9	A	BLACK	72										62	61					57	56	55	54				
						52	51					46	45		43			40						37		35	34		
						73				32		30	29					25							20				
						73				16	15		13			11	10	9									4		
SALEABLE	NOT APPLICABLE	34566-7243	9	A	BLACK	72										62	61					58	57	56	55	54			
						52	51			48		46	45		43			41	40					37		35	34		
						73				32		30	29					25								20			
						73				16	15		13			11	10	9									4	3	
SALEABLE	TBD	34822-0073	0	A	BLACK		63	62	61	60	59					54	53		51		49								
							47									38	37		35		33						66		
						65										28			25				22	21	20	19	18	17	
						65					15	14	13							8	7							3	2

MX123 52/66/73/80-WAY RECEPTACLE ASSY SEALED PIN OUT SHEET

STATUS	GM PART #	HRNS CONN ASSY			TPA	GROMMET CAP																												
		MATERIAL/PART	WIRE DRESS OPTION	KEY OPTION Fp		COLOR OPTION Fp	NUMBERS INDICATE CAVITIES OPEN FOR CIRCUITS																											
		NUMBER					Fp																											
SALEABLE	NOT APPLICABLE	34566-7423	0	C	BLUE	52	51	70	69	48	67	46	45	64	61	60	57	54	34	33	73	32	28	27	25	18	17							
						16	15	14	13	12	11	10	9	8	7	55																		
						72	68	62	61	60	59	38	37	36	35	20	19	18	17															
SALEABLE	NOT APPLICABLE	34566-7433	0	B	ST GRAY	52	48	47	46	44	43	41	40	38	37	36	35	20	19	18	17	73	16	15	14	30	8	4	1					
						72	68	66	65	64	63	60	57	56	54																			
						52	51	70	69	48	46	45	44	43	42	40	39	38	37	36	34													
SALEABLE	NOT APPLICABLE	34566-7443	0	A	BLACK	72	71	70	69	68	66	65	64	63	60	57	56	54	73	31	30	29	28	26	25	23	22	21	20					
						52	51	50	49	48	46	45	44	43	42	40	39	38	37	36	34													
						15	14	13	12	9	7	6	5	4	2																			
SALEABLE	NOT APPLICABLE	34566-7453	0	C	BLUE	52	71	70	69	68	67	66	65	64	61	60	58	57	54	34	33	73	32	28	27	25	18	17						
						16	15	14	13	12	11	10	9	8	7																			
						72	68	62	61	60	55																							
SALEABLE	NOT APPLICABLE	34566-7463	0	B	ST GRAY	52	48	47	46	44	43	40	22	21	20	19	18	73	16	15	14	30	8	6	4	2								
						72	68	67	63	62	61	55																						
						72	68	67	63	62	61	55																						
SALEABLE	NOT APPLICABLE	34566-7473	0	B	ST GRAY	52	48	47	46	43	40	22	21	20	19	18	73	16	14	11	8	6	4											
						72	68	67	63	62	61	55																						
						72	68	67	63	62	61	55																						
SALEABLE	NOT APPLICABLE	34566-7483	0	B	ST GRAY	52	48	47	46	43	40	22	21	20	19	18	17	73	16	15	14	30	8	6	4	2								
						72	68	67	63	62	61	55																						
						72	68	67	63	62	61	55																						
SALEABLE	NOT APPLICABLE	34566-7493	0	C	BLUE	52	51	70	69	48	67	46	45	64	62	60	57	55	54	34	33	73	32	28	27	26	19	18	17					
						16	15	14	13	12	11	10	9	8	7																			
						72	71	70	69	68	66	65	64	63	61	60	57	56	54	53														
SALEABLE	NOT APPLICABLE	34566-7513	9	A	BLACK	52	51	70	69	48	46	45	44	43	40	39	38	37	36	34	33	73	32	31	30	29	28	23	22	21	20			
						15	14	13	12	7	6	5	4	2																				
						72	68	67	64	62	61	59	58	57	56	55	54																	
SALEABLE	NOT APPLICABLE	34566-7523	0	A	BLACK	52	51	48	47	46	45	43	41	40	37	33	33	73	32	30	29	27	26	25	24	20								
						16	15	13	11	10	9	4																						
						80	79	78	54	51	50	49	48	47	45	44	42	41																
SALEABLE	NOT APPLICABLE	34566-7533	0	G	BLUE	40	39	37	36	34	33	32	30	29	28	27	25	24	23	22	21	73	20	19	18	13	12	11	9	8	5	3	2	1
						60	59	58	57	54	51	50	49	48	47	45	44	42	41															
						20	19	18	13	12	11	9	8	5	3	2	1																	
SALEABLE	NOT APPLICABLE	34566-7543 SAME AS P/N 34566-1553	0	A	BLACK	73																												
SALEABLE	NOT APPLICABLE	34566-7553 SAME AS P/N 34566-1983	0	B	ST GRAY	73																												
SALEABLE	NOT APPLICABLE	34566-7563 SAME AS P/N 34566-1993	0	C	BLUE	73																												
SALEABLE	NOT APPLICABLE	34566-7573	0	B	ST GRAY	72	70	68	62	61	55	73	32	30	29	27	26	25	24	20														
						52	48	47	46	43	40	22	21	20	19	18	17																	
						16	15	14	30	8	6	4	2																					

MX123 52/66/73/80-WAY RECEPTACLE ASSY SEALED PIN OUT SHEET

STATUS	GM PART #	HRNS CONN ASSY			TPA	GROMMET CAP																					
		MATERIAL/PART	WIRE DRESS OPTION	KEY OPTION Fp	COLOR OPTION Fp	NUMBERS INDICATE CAVITIES OPEN FOR CIRCUITS																					
		NUMBER				Fp																					
SALEABLE	NOT APPLICABLE	34566-7683	9	B	ST GRN	72	71	70	69	68	67	66	65	64	63	62	61	60	59		57	56	55				
						52	51	50	49	48	47	46	45	44	43		26	25	24	23	22	21	20	19	18	17	
						73				32	31	30	29	28		11		9	8	7	6	5	4	3	2	1	
SALEABLE	NOT APPLICABLE	34566-7693	9	A	BLACK	72							64		62	61			57	56	55	54					
						52	51					46	45		43		40			37		35	34				
						73				32	31	30	29		27		25				20						
SALEABLE	NOT APPLICABLE	34566-7713	9	A	BLACK	72							64		62	61			58	57	56	55	54				
						52	51			48		46	45		43		41	40		37		35	34				
						73				32		30	29		27		25			20							
SALEABLE	NOT APPLICABLE	34566-7723	9	A	BLACK	72							64		62	61			57	56	55	54	53				
						52	51			48		46	45		43		41	40		37		35	34				
						73				32		30	29		27		25			20							
SALEABLE	NOT APPLICABLE	34566-7733	9	A	BLACK	72							64		62	61			57	56	55	54	53				
						52	51			48		46	45		43		41	40		37		35	34				
						73				32		30	29		27		25			20							
SALEABLE	NOT APPLICABLE	34566-7743	0	C	BLUE	72		70		68	67	66		64	63	62	61	60	59	57							
						52	51		49	48	47	46		44		41	40	39		37	36	35	34	33			
						73				32		30			27	26	25	24		22	21	20					
SALEABLE	NOT APPLICABLE	34566-7753	0	A	BLACK		71	70	69	68	67			64	63	62	61	60	59	58	57	56	55	54	53		
						52	51	50	49			45	44	43	42	41		39	38	37	36		34				
						73				32	31		29	28	27	26	25				19	18					
SALEABLE	NOT APPLICABLE	34566-7763	0	F	NATURAL																						
						73																					
SALEABLE	NOT APPLICABLE	34566-7773	0	B	ST GRN	72		70							63	62	61	60	59								
						52						46			43		41	40									
						73				16		14			11				6		4						
SALEABLE	TBD	34822-0153	9	A	BLACK		63	62	61	60	59					54	53		51		49	66					
							47								38	37		35		33							
						65						15	14	13			28		25		22	21	20	19	18	17	
SALEABLE	NOT APPLICABLE	34566-7783	0	A	BLACK	72	71	70	69	68		66	65	64	63			60		57	56		54				
						52	51	50	49	48		46	45	44	43	42	41	40	39	38	37	36		34			
						73				32	31	30	29	28		26	25		23	22	21					2	1
SALEABLE	NOT APPLICABLE	34566-7793	0	A	BLACK	72		70			67	66	65		63			60	59	58	57	56	55				
						52	51		49	48	47	46	45		43	42		40	39	38	37	36	35				
						73								28	27			23	22	21					18	17	
SALEABLE	NOT APPLICABLE	34566-7813	0	A	BLACK			70	69	68	67				63	62	61	60	59	58	57	56	55	54	53		
						52	51	50	49					44	43	42	41	40	39	38	37	36		34			
						73				32			29	28	27	26	25			21		19	18				
SALEABLE	NOT APPLICABLE	34566-7823	0	B	ST GRN					68	67				63	62	61	60	59								
						52				48	47	46		44	43		41	40		38	37	36	35				
						73				16		14			11			8			4						1
SALEABLE	NOT APPLICABLE	34566-7833	0	B	ST GRN	72	71	70	69	68	67	66	65	64	63		61	60	59		57	56	55				
						52	51	50	49	48	47	46	45	44	43		41	40	39	38	37	36	35	34	33		
						73				32	31	30	29	28		26	25	24	23	22	21	20	19	18	17		

MX123 52/66/73/80-WAY RECEPTACLE ASSY SEALED PIN OUT SHEET

STATUS	GM PART #	HRNS CONN ASSY			TPA	GROMMET CAP																				
		MATERIAL/PART	WIRE DRESS OPTION	KEY OPTION Fp	COLOR OPTION Fp	NUMBERS INDICATE CAVITIES OPEN FOR CIRCUITS																				
		NUMBER				Fp																				
SALEABLE	NOT APPLICABLE	34566-7843	9	C	BLUE	52	71	50	49	48	67	47	65	64	45	44	62	61	60	58	57	54	33			
						73				16	15	14	13	12	11	10	9	38	37	34	33					
						72	71	70	69	68	67	66	64	63	62	61	60	59	57	54	53					
SALEABLE	NOT APPLICABLE	34566-7853	9	C	BLUE	52	51	50	49	48	47	46	44	39	38	37	36	35	34	33						
						73				16	15	14	13	12	11	10	9	8	7	6	5	17				
						72	71	70	69	68	67	66	64	63	62	61	60	59	57	54	53					
SALEABLE	NOT APPLICABLE	34566-7863	9	C	BLUE	52	51	50	49	48	47	46	44	40	39	37	36	35	34	33						
						73				32	31	30	29	28	27	26	25	24	22	21	20	19	18	17		
						72	71	70	69	68	67	66	64	63	62	61	60	59	57	54	53					
SALEABLE	NOT APPLICABLE	34566-7873	9	A	BLACK	71	70	69	68	67	66	65	64	63	62	61	60	58	57	56	55	54				
						73				31	30	29	28	27	26	25	24	23	22	21	20	19	18	17		
						52	51	50	49	48	47	46	44	40	39	37	36	35	34	33						
SALEABLE	NOT APPLICABLE	34566-7883	9	A	BLACK	72	71	70	69	68	67	66	65	64	63	62	61	60	58	57	56	55	54			
						73				31	30	29	28	27	26	25	24	23	22	21	20	19	18	17		
						52	51	50	49	48	47	46	44	40	39	37	36	35	34	33						
SALEABLE	NOT APPLICABLE	34566-7893	9	A	BLACK	72	71	70	69	68	67	66	65	64	63	62	61	60	58	57	56	55	54			
						73				32	31	30	29	28	27	26	25	24	23	22	21	20	19	18	17	
						52	51	50	49	48	47	46	44	40	39	37	36	35	34	33						
SALEABLE	TBD	34822-0163	0	A	BLACK	64	63	62	61	60	59	58	57	56	55	54	53	52	51	50	49	48	47			
						65				15	14	13	12	11	10	9	8	7	6	5	4	3	2	1		
						80	79	78	77	76	75	74	73	72	71	70	69	68	67	66	65	64	63	62	61	60
SALEABLE	NOT APPLICABLE	34566-7913	9	G	BLUE	60	59	58	57	56	55	54	53	52	51	50	49	48	47	46	45	44	43	42		
						73				36	35	34	33	32	31	30	29	28	27	26	25	24	23	22	21	20
						40	39	38	37	36	35	34	33	32	31	30	29	28	27	26	25	24	23	22	21	20
SALEABLE	NOT APPLICABLE	34566-7923	0	C	BLUE	52	51	50	49	48	47	46	44	40	39	37	36	35	34	33						
						73				32	31	30	29	28	27	26	25	24	23	22	21	20	19	18	17	
						72	71	70	69	68	67	66	64	63	62	61	60	59	57	54	53					
SALEABLE	NOT APPLICABLE	34566-7933	0	A	BLACK	52	51	50	49	48	47	46	44	40	39	37	36	35	34	33						
						73				32	31	30	29	28	27	26	25	24	23	22	21	20	19	18	17	
						72	71	70	69	68	67	66	64	63	62	61	60	59	57	54	53					
SALEABLE	NOT APPLICABLE	34566-7943	0	B	ST GRAY	52	51	50	49	48	47	46	44	40	39	37	36	35	34	33						
						73				31	30	29	28	27	26	25	24	23	22	21	20	19	18	17		
						72	71	70	69	68	67	66	64	63	62	61	60	59	57	54	53					
SALEABLE	NOT APPLICABLE	34566-7953	0	B	ST GRAY	52	51	50	49	48	47	46	44	40	39	37	36	35	34	33						
						73				31	30	29	28	27	26	25	24	23	22	21	20	19	18	17		
						72	71	70	69	68	67	66	64	63	62	61	60	59	57	54	53					
SALEABLE	NOT APPLICABLE	34566-7963	9	A	BLACK	52	51	50	49	48	47	46	44	40	39	37	36	35	34	33						
						73				32	31	30	29	28	27	26	25	24	23	22	21	20	19	18	17	
						72	71	70	69	68	67	66	64	63	62	61	60	59	57	54	53					
SALEABLE	NOT APPLICABLE	34566-7973	9	B	ST GRAY	52	51	50	49	48	47	46	44	40	39	37	36	35	34	33						
						73				30	29	28	27	26	25	24	23	22	21	20	19	18	17			
						72	71	70	69	68	67	66	64	63	62	61	60	59	57	54	53					
SALEABLE	NOT APPLICABLE	34566-7983	9	B	ST GRAY	52	51	50	49	48	47	46	44	40	39	37	36	35	34	33						
						73				30	29	28	27	26	25	24	23	22	21	20	19	18	17			
						72	71	70	69	68	67	66	64	63	62	61	60	59	57	54	53					

MX123 52/66/73/80-WAY RECEPTACLE ASSY SEALED PIN OUT SHEET

STATUS	GM PART #	HRNS CONN ASSY			TPA	GROMMET CAP																										
		MATERIAL/PART	WIRE DRESS OPTION	KEY OPTION Fp	COLOR OPTION Fp	NUMBERS INDICATE CAVITIES OPEN FOR CIRCUITS																										
		NUMBER				Fp																										
SALEABLE	NOT APPLICABLE	34566-7993	9	C	BLUE	70	69	48	67	66	64	61	60	57	54	52	51	50	49	48	47	46	45	44	41	40	37	34	33			
						73			32	28	27	25	23	18	17																	
						16	15	14	13	12	11	10	9	8	7																	
SALEABLE	NOT APPLICABLE	34566-8013	9	C	BLUE	71	70	69	67	66	65	64	61	60	59	57	54	52	51	50	48	47	45	44	41	40	39	37	34	33		
						73			32	28	27	25	23	18	17																	
						16	15	14	13	12	11	10	9	8	7																	
SALEABLE	TBD	34822-0173	9	A	BLACK	64	63	62	58	57	56	55	54	52	50	66	48	46	45	44	43	42	41	40	36	34						
						65			32	31	30	29	27	26	24	23																
						16				12	11	10	9			6	5	4														
SALEABLE	NOT APPLICABLE	34566-8023	9	C	BLUE	72	71	70	69	68	67	66	65	64	63	62	59	58	57	56	55	54	53	46	43	42	40	39	36	35		
						73			31	30	29			26	24	23	22	21	20	19												
																8	7	6	5	4	3	2	1									
SALEABLE	NOT APPLICABLE	34566-8033	9	B	ST GRAY	71	70	69	67	66	65	64	63	62	59	58	57	56	54	53	46	45	44	43	42	40	39	34	33			
						73			32	31	29	28	27	26	25	24	23															
SALEABLE	NOT APPLICABLE	34566-8043	9	A	BLACK	67	66	65	64	63	62	61	60	59	58	55	53	47	46	45	44	43	42	41	40	36	35	33				
						73																										
						16																										
SALEABLE	NOT APPLICABLE	34566-8053	9	A	BLACK	72	71	70	69	68	67	66	65	64	63	62	59	58	57	56	55	54	46	43	42	40	38	35	33			
						73			31																							
SALEABLE	NOT APPLICABLE	34566-8063	9	C	BLUE	71	70	69	67	66	65	64	63	62	59	58	57	56	55	54	46	45	44	43	42	40	38	35				
						73			31	29	28																					
						16																										
SALEABLE	NOT APPLICABLE	34566-8073	9	B	ST GRAY	69	68	67	66	65	64	63	62	61	60	59	58	57	56	55	54	46	45	44	43	42	40	38				
						73																										
SALEABLE	NOT APPLICABLE	34566-8083	9	B	ST GRAY	62	61	60	59	58	57	56	55	54	53	42	41	40	39	38	37	36	35	34	33	32	31	30				
						73																										
SALEABLE	NOT APPLICABLE	34566-8093	9	A	BLACK	71	70	69	68	67	66	65	64	63	62	61	60	59	58	57	56	55	54	53	46	45	44					
						73			32	31	30	29																				
						16	15	14	13																							
SALEABLE	NOT APPLICABLE	34566-8113	9	C	BLUE	68	67	66	65	64	63	62	61	60	59	58	57	56	55	54	46	45	44	43	42	40	37	36				
						73			32																							
SALEABLE	NOT APPLICABLE	34566-8123	0	G	BLUE	80	79	78	77	76	75	74	73	72	71	70	69	68	67	66	65	64	63	62	61	60	59	58				
									36	35	34																					
						19	18	17	16	15	14																					
SALEABLE	NOT APPLICABLE	34566-8133	0	G	BLUE	80	79	78	77	76	75	74	73	72	71	70	69	68	67	66	65	64	63	62	61	60	59					
									36	35	34																					
						19	18	17	16	15	14																					
SALEABLE	NOT APPLICABLE	34566-8143	0	G	BLUE	80	79	78	77	76	75	74	73	72	71	70	69	68	67	66	65	64	63	62	61	60	59					
									36	35	34																					
						19	18	17	16	15	14																					

MX123 52/66/73/80-WAY RECEPTACLE ASSY SEALED PIN OUT SHEET

STATUS	GM PART #	HRNS CONN ASSY			TPA	GROMMET CAP																					
		MATERIAL/PART	WIRE DRESS OPTION	KEY OPTION Fp	COLOR OPTION Fp	NUMBERS INDICATE CAVITIES OPEN FOR CIRCUITS																					
		NUMBER				Fp																					
SALEABLE	NOT APPLICABLE	34566-8153	0	C	BLUE	72	71	70	69	68	67	66	65	64	63	62	61	60	59	58	57	56	55	34	33		
						52	51	50							42	41											
						73							28	27													18
SALEABLE	NOT APPLICABLE	34566-8163	9	B	ST GRAY					68	67			64	63			59	58			55	54				
												47	46	45	44	43			39	38					35		
						73							32	31	30	29	28	27			23	22				19	17
SALEABLE	NOT APPLICABLE	34566-8173	0	B	ST GRAY	72		70		68	67				63	62	61	60	59								
						52						46			43		41	40									
						73											27				22	21	20	19	18		
SALEABLE	NOT APPLICABLE	34566-8183	9	H	ST GRAY																						
SALEABLE	NOT APPLICABLE	34566-8193	0	G	BLUE		79	78	77	76	75	74			71				67		65		63				
						60	59	58	57	56	55	54		52					47		45		43				
						40		38	37					33	32	31	30	29		27	26						
SALEABLE	NOT APPLICABLE	34566-8213	0	H	ST GRAY																						
SALEABLE	NOT APPLICABLE	34566-8223	9	A	BLACK	72										62	61		59		57		55				
						52	51												40				37				
						73							32			29				25					20		
SALEABLE	NOT APPLICABLE	34566-8233	9	G	BLUE				77	76	75	74	73	72		70	69	68		66	65	64	63	62	61		
										56	55		53	52					46	45		43	42				
								38	37	36	35	34			31				26			23	22	21			
SALEABLE	NOT APPLICABLE	34566-8243	9	G	BLUE	20	19		17	16	15	14	13		10			7	6		4			1			
									77	76	75	74	73	72		70	69	68		66	65	64	63	62	61		
										56	55		53	52					46	45		43	42				
SALEABLE	NOT APPLICABLE	34566-8253	9	G	BLUE				77	76	75	74	73	72		70	69	68		66	65	64	63	62	61		
										56	55		53	52					46	45		43	42				
								38	37	36	35	34			31				26			23	22	21			
SALEABLE	NOT APPLICABLE	34566-8263	9	G	BLUE				77	76	75	74	73	72		70	69	68		66	65	64	63	62	61		
										56	55		53	52					46	45		43	42				
								38		36	35	34			31				26			23	22	21			
SALEABLE	NOT APPLICABLE	34566-8273	9	G	BLUE	80	79	78							71				67								
						60	59	58	57			54			51	50	49	48	47			44				41	
						40	39							33	32		30	29	28	27		25	24				
SALEABLE	NOT APPLICABLE	34566-8283	9	G	BLUE			18						12	11		9	8			5		3	2			
									77	76	75	74	73	72		70	69	68		66	65	64	63	62	61		
										56	55		53	52					46	45		43	42				
SALEABLE	NOT APPLICABLE	34566-8293	9	A	BLACK				71	70	69	68	67	66	65		63		60	59	58		36	35	34	33	
								50	49	48	47			44		42			39	38							
						73							31			28			26			24	23	22	21		19
SALEABLE	NOT APPLICABLE	34566-8313	9	A	BLACK		71	70	69		67	66	65		63		60	59	58								
								50	49	48	47			44		42	41		39	38			36	35	34	33	
						73							31			28			26			24	23	22	21		19

MX123 52/66/73/80-WAY RECEPTACLE ASSY SEALED PIN OUT SHEET

STATUS	GM PART #	HRNS CONN ASSY			TPA	GROMMET CAP																					
		MATERIAL/PART	WIRE DRESS OPTION	KEY OPTION Fp	COLOR OPTION Fp	NUMBERS INDICATE CAVITIES OPEN FOR CIRCUITS																					
		NUMBER				Fp																					
SALEABLE	NOT APPLICABLE	34566-8323	9	A	BLACK	71	70	69	68	67	66	65		63		60						53					
								50	49		47			44		42		39	38			36			33		
						73						31			28		26		24	23	22	21		19	18	17	
SALEABLE	NOT APPLICABLE	34566-8333	9	A	BLACK	71	70	69	68	67	66	65		63		60						53					
								50	49	48	47			44		42	41		39	38			36			33	
						73						31			28		26		24	23	22	21		19	18	17	
SALEABLE	NOT APPLICABLE	34566-8343	9	A	BLACK	71	70	69	68	67	66	65		63		60						53					
								50	49		47			44		42		39	38			36	35	34	33		
						73						31			28		26		24	23	22	21		19	18	17	
SALEABLE	NOT APPLICABLE	34566-8353	9	A	BLACK	72								64		62	61				57	56	55	54	53		
						52	51							46	45		43		41	40			37				
						73						32		30	29		27		25				20				
SALEABLE	NOT APPLICABLE	34566-8363	9	A	BLACK	72								64		62	61				57	56	55	54	53		
						52	51							46	45		43		40			37					
						73						32		30	29		27		25				20				
SALEABLE	NOT APPLICABLE	34566-8373	9	A	BLACK	72								64		62	61				57	56	55	54	53		
						52	51							46	45		43		40			37					
						73						32		30	29		27		25				20				
SALEABLE	NOT APPLICABLE	34566-8383	9	A	BLACK	72								64		62	61				57	56	55	54	53		
						52	51							46	45		43		40			37					
						73						32		30	29		27		25				20				
SALEABLE	NOT APPLICABLE	34566-8393	0	A	BLACK	72		70						64		62	61				57	56	55	54	53		
						52	51		49	48						43						36	35	34	33		
						73						31	30	29	28	27			24	23	22	21	20	19	18	17	
SALEABLE	NOT APPLICABLE	34566-8413	0	A	BLACK	72		70						64		62	61				57	56	55	54	53		
						52	51		49	48						43						36	35	34	33		
						73						31	30	29	28	27			24	23	22	21	20	19	18	17	
SALEABLE	NOT APPLICABLE	34566-8423	0	C	BLUE				69		67			64		62	61	60			57			54			
						52	51	50	49	48			46	45	44		42	41				37			34	33	
						73									28	27	26	25									
SALEABLE	NOT APPLICABLE	34566-8433	0	H	ST GRAY		79	78	77															61			
						20												9				5					1
SALEABLE	NOT APPLICABLE	34566-8443	0	C	BLUE		71	70				67	66	65	64			61	60	59	58	57			54		
						52	51	50		48	47		45	44			41		39	38	37				34	33	
						73						32			28	27		25		23						18	17
SALEABLE	NOT APPLICABLE	34566-8453	0	A	BLACK	72	71	70	69	68		66	65	64	63			60			57	56			54		
						52	51	50	49	48		46	45	44	43	42			40	39	38	37	36			34	
						73						32	31	30	29	28					23	22	21	20			
SALEABLE	NOT APPLICABLE	34566-8463	0	B	ST GRAY	72		70								62	61	60	59				55				
						52				48	47	46		44	43			41	40			38	37	36	35		
						73								30							22	21	20	19	18		
SALEABLE	NOT APPLICABLE	34566-8473	0	C	BLUE		71	70				67	66	65	64			62	61	60			58	57	55	54	
						52	51	50	49	48	47		45	44			42	41			38	37			35	34	33
						73						32			28	27	26	25							19	18	17

MX123 52/66/73/80-WAY RECEPTACLE ASSY SEALED PIN OUT SHEET

STATUS	GM PART #	HRNS CONN ASSY			TPA	GROMMET CAP																					
		MATERIAL/PART	WIRE DRESS OPTION	KEY OPTION Fp	COLOR OPTION Fp	NUMBERS INDICATE CAVITIES OPEN FOR CIRCUITS																					
		NUMBER				Fp																					
SALEABLE	NOT APPLICABLE	34566-8483	0	A	BLACK	72	71	70	69	68		66	65	64	63		61	60			57	56		54	53		
						52	51	50	49	48		46	45	44	43	42			40	39	38	37	36		34	33	
						73				32	31	30	29	28						23	22	21	20				2
SALEABLE	NOT APPLICABLE	34566-8493	0	B	ST GRY	72		70		68	67					62	61	60	59				55				
						52				48	47	46		44	43			40									33
						73						30									22	21	20	19	18	17	
SALEABLE	NOT APPLICABLE	34566-8513	9	A	BLACK	72	71	70	69	68		66	65	64	63		61	60			57	56		54	53		
						52	51	50	49	48		46	45	44	43			40	39	38	37	36		34	33		
						73				32	31	30	29	28					24	23	22						
SALEABLE	NOT APPLICABLE	34566-8523	9	B	ST GRY	72		70		68						62	61						55				
						52				48	47	46			43			40									
						73						30								22	21	20	19	18	17		
SALEABLE	NOT APPLICABLE	34566-8533	9	C	BLUE			70		67	66	65	64			61	60			57			54				
						52	51	50	49	48	47		45	44			41				37			34	33		
						73				32				28	27			25								18	17
SALEABLE	NOT APPLICABLE	34566-8543	9	C	BLUE		71		69		67	66	65	64			60			57			54				
						52	51	50	49	48	47	46	45	44						37			34	33			
						73				32				28	27												
SALEABLE	NOT APPLICABLE	34566-8553	0	B	ST GRY					67	66	65	64			61	60			57			54				
						52	51	50	49	48	47		45	44			41				37			34	33		
						73				32				28	27												
SALEABLE	NOT APPLICABLE	34566-8563	0	A	BLACK					67						60			57			54					
						52	51			48	47	46			43	42		40	39	38	37	36	35				
						73								28						22	21				18	17	
SALEABLE	NOT APPLICABLE	34566-8573	0	B	ST GRY	72	71	70	69	68	67	66	65	64	63		61	60	59		57	56	55				
						52	51	50	49	48	47	46	45	44	43		41	40	39	38	37	36	35			33	
						73				32	31	30	29	28				26		24	23	22	21	20	19		
SALEABLE	NOT APPLICABLE	34566-8583	0	C	BLUE	72	71	70	69		67	66	65	64			60				56			54			
						52	51	50	49		47	46	45	44			40	39	38					34			
						73					31	30		28		26	25	24	23	22	21					17	
SALEABLE	NOT APPLICABLE	34566-8593	0	B	ST GRY	72				68						62	61	60	59				55				
						52				48	47	46			43		41	40		38	37	36	35				
						73						30								22	21	20	19	18			
SALEABLE	TBD	34822-0183	0	A	BLACK	64	63	62	61	60	59					54	53		51		49	66					
																38	37		35		33						
						65					15	14	13						8	7			4	3	2	1	
SALEABLE	TBD	34822-0193	0	A	BLACK	64	63								54	53		51		49	66						
															38	37		35		33							
						65							28					24	23		21	20	19	18	17		
SALEABLE	TBD	34822-0203	0	A	BLACK					60	59					54	53		51		49	66					
															38	37		35		33							
						65					31			28				24	23	22	21	20	19	18	17		
SALEABLE	TBD	34822-0213	0	A	BLACK	64	63	62	61	60	59					54	53		51		49	66					
															38	37		35		33							
						65					31			28				24	23	22	21	20	19	18	17		

MX123 52/66/73/80-WAY RECEPTACLE ASSY SEALED PIN OUT SHEET

STATUS	GM PART #	HRNS CONN ASSY			TPA	GROMMET CAP																						
		MATERIAL/PART	WIRE DRESS OPTION	KEY OPTION Fp	COLOR OPTION Fp	NUMBERS INDICATE CAVITIES OPEN FOR CIRCUITS																						
		NUMBER				Fp																						
SALEABLE	NOT APPLICABLE	34566-8613	0	C	BLUE	52	71	70			67	66	65	64			61	60	59	58	57			54				
							51	50		48	47			45	44			41	40	39	38	37				34	33	
						73				32				28	27			25		23							18	17
SALEABLE	NOT APPLICABLE	34566-8623	9	C	BLUE					68			65		63	62	61		59	58	57	56	55		53			
										48			45		43	42	41					37	36	35	34	33		
						73				32	31													20	19	18		
SALEABLE	NOT APPLICABLE	34566-8633	0	B	ST GRAY	72										62	61											
						52				48	47	46			43			40										
						73							30									22	21	20	19	18	17	
SALEABLE	NOT APPLICABLE	34566-8643	0	C	BLUE		71	70			67	66		64			61	60					57		54			
						52	51	50	49	48			45	44			41				37					34	33	
						73				32				28	27			25									18	17
SALEABLE	NOT APPLICABLE	34566-8653	9	C	BLUE		71		69		67	66	65	64	63		61	60					57					
						52	51	50		48	47	46	45		43		41				37					34	33	
						73								28	27			25										
SALEABLE	NOT APPLICABLE	34566-8663	0	B	ST GRAY	72	71	70	69						64	63		61	60		58	57	56	55				
						52	51	50	49						43							38	37	36			33	
						73				32			30	29	28		26	25	24	23	22	21	20					
SALEABLE	NOT APPLICABLE	34822-0223	0	A	BLACK	64	63	62	61	60	59					54	53		51		49	66						
															38	37		35		33								
						65					31			28				24	23	22	21	20	19	18	17			
SALEABLE	NOT APPLICABLE	34566-8673	0	F	NATURAL	72		70		68	67	66			63	62			59		57				53			
						52	51		49	48	47	46		44			41	40	39		37	36	35	34	33			
						73						30			27	26	25	24		22	21	20						
SALEABLE	NOT APPLICABLE	34566-8683	0	B	ST GRAY	72		70		68	67	66			63	62			59		57				53			
						52	51		49	48	47	46		44			41	40	39		37	36	35	34	33			
						73				32			30			27	26	25	24		22	21	20					
SALEABLE	NOT APPLICABLE	34566-8693	0	A	BLACK					68	67	66			63	62			59		57				53			
						52	51		49	48	47	46		44			41	40	39		37	36	35	34	33			
						73				32			30			27	26	25	24		22	21	20					
SALEABLE	NOT APPLICABLE	34566-8713	9	B	ST GRAY	72	71	70	69					64	63			61	60		58	57	56	55				
						52	51	50	49					43								38	37	36			33	
						73				32			30	29	28		26	25	24	23	22	21	20					
SALEABLE	NOT APPLICABLE	34566-8723	0	C	BLUE		71	70				66		64			61	60					57		54			
						52	51	50	49	48			45	44			41				37					34	33	
						73				32				28	27			25									18	17
SALEABLE	NOT APPLICABLE	34566-8733	0	A	BLACK					68		66	65	64	63			60		57	56			54				
						52	51	50	49	48		46	45	44	43	42		40	39	38	37	36			34			
						73				32	31	30	29	28					23	22	21	20						
SALEABLE	NOT APPLICABLE	34566-8743	0	C	BLUE		71	70	69		67	66		64										54				
						52	51	50	49		47	46		44					39	38								
						73						30	29	28	27	26	25	24	23	22	21							17
SALEABLE	NOT APPLICABLE	34566-8753	0	B	ST GRAY	72	71	70	69	68	67	66	65	64	63		61	60		58	57	56	55	54	53			
						52	51	50	49	48	47	46	45	44	43		40				37	36	35	34	33			
						73				32			30	29	28		26	25	24		21		19					

MX123 52/66/73/80-WAY RECEPTACLE ASSY SEALED PIN OUT SHEET

STATUS	GM PART #	HRNS CONN ASSY			TPA	GROMMET CAP																							
		MATERIAL/PART	WIRE DRESS OPTION	KEY OPTION Fp	COLOR OPTION Fp	NUMBERS INDICATE CAVITIES OPEN FOR CIRCUITS Fp																							
		NUMBER																											
SALEABLE	NOT APPLICABLE	34566-8763	0	A	BLACK	72	71	70												59	58	57	56	55	54	53			
						52	51	50														39	37		36	35		33	
						73				32	31	30	29	28	27	26									21			18	17
SALEABLE	12672857	34822-0243	9	A	BLACK	64	63	62	61	60	59							54	53		51		49	66					
							47											38	37		35		33						
						65																					20	19	18
SALEABLE	NOT APPLICABLE	34822-0253	0	A	BLACK		63	62	61	60	59																		
						65																							
SALEABLE	NOT APPLICABLE	34822-0263	9	C	BLUE	64	63	62		60	59							54	53		51		49	66					
						48	47	46	45																				
						65				32	31	30	29	28	27	26	25	24	23	22	21								19
SALEABLE	NOT APPLICABLE	34822-0273	9	A	BLACK	64	63																						
							47																						
						65																							
SALEABLE	NOT APPLICABLE	34822-0283	0	A	BLACK				61	60	59																		
						65				32																			
SALEABLE	NOT APPLICABLE	34822-0293	0	A	BLACK																								
						65																							
SALEABLE	NOT APPLICABLE	34566-8773	9	B	ST GRV	72			70																				
						52																							
						73																							
SALEABLE	NOT APPLICABLE	34566-8783	9	A	BLACK	72	71	70	69	68																			
						52	51	50	49	48																			
						73				32	31	30	29	28															
SALEABLE	NOT APPLICABLE	34566-8793	9	C	BLUE		71	70																					
						52	51	50	49	48	47																		
						73				32																			
SALEABLE	NOT APPLICABLE	34566-8813	9	B	ST GRV	72	71	70	69	68	67																		
						52	51	50	49	48	47	46	45	44	43	42													
						73				32	31	30	29	28	27	26	25	24	23	22	21								
SALEABLE	NOT APPLICABLE	34566-8823	9	C	BLUE	72	71	70	69																				
						52	51	50	49																				
						73																							
SALEABLE	NOT APPLICABLE	34566-8833	9	C	BLUE	72			70																				
						52	51		49																				
						73																							
SALEABLE	NOT APPLICABLE	34566-8843	0	C	BLUE	72	71	70	69																				
						52	51	50	49																				
						73																							
SALEABLE	NOT APPLICABLE	34566-8853	0	B	ST GRV	72																							
						52																							
						73																							



MX123 52/66/73/80-WAY RECEPTACLE ASSY SEALED PIN OUT SHEET

STATUS	GM PART #	HRNS CONN ASSY			TPA	GROMMET CAP																							
		MATERIAL/PART	WIRE DRESS OPTION	KEY OPTION ▽ Fp	COLOR OPTION ▽ Fp	NUMBERS INDICATE CAVITIES OPEN FOR CIRCUITS ▽ Fp																							
		NUMBER				72	71	70	69						64	63		61			58	57	56	55					
SALEABLE	NOT APPLICABLE	34566-8863	0	B	ST GRN	72	71	70	69						64	63		61			58	57	56	55					33
						52	51	50	49							43					38	37	36						
						73				32			30	29	28			26	25	24	23	22	21	20					
						73				16			14	13	12	11	10	9	8	7	6	5	4						
SALEABLE	NOT APPLICABLE	34566-8873	0	B	ST GRN	72	71	70	69						64	63		61			58	57	56	55					33
						52	51	50	49							43					38	37	36						
						73				32	31	30	29	28			26	25	24	23	22	21	20						
						73				16	15	14	13	12	11	10	9	8	7	6	5	4							
SALEABLE	NOT APPLICABLE	34566-8883	0	B	ST GRN	72	71	70	69	68	67	66	65	64	63		61	60	59	58	57	56	55						
						52	51	50	49	48	47	46	45	44	43		41	40	39	38	37	36	35	34	33				
						73				32	31	30	29	28	27	26	25	24	23	22	21	20	19	18	17				
						73				16	15	14	13	12	11	10	9	8	7	6	5	4	3	2	1				
SALEABLE	NOT APPLICABLE	34566-8893	0	A	BLACK	72		70			67	66	65		63			60	59	58	57	56	55						
						52	51		49	48	47	46	45		43	42		40	39	38	37	36	35						
						73									28	27				23	22	21					18	17	
						73									12	11		9		7							2	1	
SALEABLE	NOT APPLICABLE	34566-8913	0	A	BLACK	72	71	70	69	68		66	65	64	63			60			57	56						54	
						52	51	50	49	48		46	45	44	43	42	41	40	39	38	37	36					34		
						73				32	31	30	29	28						23	22	21							
						73					15	14	13	12						7	6	5					2	1	
SALEABLE	NOT APPLICABLE	34566-8923	0	A	BLACK		71	70	69	68	67			64	63	62	61	60	59	57	56	55	54	53					
						52	51	50	49			46	45	44	43	42	41	40	39	38	37	36					34		
						73				32			29	28	27	26	25				21						18		
						73				16	15	14	13	12	11	10	9	8			5			3					
SALEABLE	NOT APPLICABLE	34566-8933	0	C	BLUE	72	71		69	68		66	65		63				59	58		56					53		
															43				39	38		36							
						73					31	30	29					24	23	22	21	20					1		
						73														6	5	4	3	2	1				
SALEABLE	NOT APPLICABLE	34566-8943	0	B	ST GRN	72				68						62	61										55		
						52						46			43			40											
						73															22	21	20	19	18	17			
						73				16	15	14							8		6		4	3	2				
SALEABLE	NOT APPLICABLE	34566-8953	9	C	BLUE	72	71	70	69		67	66		64			60										54		
						52	51	50	49		47	46		44			40	39	38										
						73						30	29	28	27	26	25	24	23	22	21					17			
						73				16	15	14	13	12	11	10	9	8	7	6	5								
SALEABLE	NOT APPLICABLE	34566-8963	0	B	ST GRN	72										62	61	60	59							55			
						52				48	47	46			43		41	40			38	37	36	35					
						73							30								22	21	20	19	18	17			
						73				16	15	14								6		4				1			
SALEABLE	NOT APPLICABLE	34566-8973	0	A	BLACK	72	71	70	69	68		66	65	64	63			60			57	56					54		
						52	51	50	49	48		46	45	44	43	42		40	39	38	37	36				34			
						73				32	31	30	29	28						23	22	21				17			
						73					15	14	13	12					7	6	5					2			
SALEABLE	NOT APPLICABLE	34566-8983	0	C	BLUE		71	70			67	66		64			61	60			57					54			
						52	51	50	49	48	47		45	44		41				37						34			
						73				32			28	27		25										18			
						73				16	15	14	13	12	11	10	9	8	7							17			
SALEABLE	NOT APPLICABLE	34822-0303	0	A	BLACK																					66			
						65																							
SALEABLE	NOT APPLICABLE	34822-0313	0	A	BLACK		63	62	61	60	59					54	53			49						66			
																38	37		35		33								
						65					31			28				24	23	22	21	20	19	18	17				
						65				16	15	14	13				8	7				4	3	2	1				
SALEABLE	NOT APPLICABLE	34566-8993	0	B	ST GRN							66				62			58										
																41			38	37									
						73																			19	18	17		
						73																					1		

MX123 52/66/73/80-WAY RECEPTACLE ASSY SEALED PIN OUT SHEET

STATUS	GM PART #	HRNS CONN ASSY			TPA	GROMMET CAP																						
		MATERIAL/PART	WIRE DRESS OPTION	KEY OPTION Fp	COLOR OPTION Fp	NUMBERS INDICATE CAVITIES OPEN FOR CIRCUITS																						
		NUMBER				Fp																						
SALEABLE	NOT APPLICABLE	34566-9143	9	F	NATURAL	72	71	70			67	66	65	64	63	62	61	60	59			56	55	54	53			
						52	51	50	49	48	47	46	45	44										36	35	34		
						73				32	31		29	28	27	26	25	24	23	22	21	20						
SALEABLE	NOT APPLICABLE	34566-9153	9	B	ST GRAY						66																	
																41						38	37					
						73																		20	19	18	17	
SALEABLE	NOT APPLICABLE	34566-9163	9	B	ST GRAY					68	67	66	65			62		60	59						54	53		
										48	47	46	45	44		42	41	40	39							35	34	
						73					31				27												19	18
SALEABLE	NOT APPLICABLE	34566-9173	0	B	ST GRAY								65			62												
																	41											
						73																					19	18
SALEABLE	NOT APPLICABLE	34822-0363	9	C	BLUE				61				58															
										44	43		41	40		38												
						65					31																	
SALEABLE	NOT APPLICABLE	34822-0373	9	A	BLACK	64	63	62	61	60						55			52	51								
						48	47	46	45										38									
						65				32		30	29		27													
SALEABLE	NOT APPLICABLE	34822-0383	9	A	BLACK	64	63	62	61	60			57					52	51									
						48	47	46	45					40														
						65				32		30	29		27													
SALEABLE	NOT APPLICABLE	34822-0393	0	A	BLACK	64	63	62	61	60			57					52	51									
						48	47	46	45									38										
						65				32		30	29		27													
SALEABLE	NOT APPLICABLE	34822-0403	9	A	BLACK	64	63									54	53		51									
																38	37		35									
						65					31			28														
SALEABLE	NOT APPLICABLE	34822-0413	0	A	BLACK																							
						65					15	14	13	12	11													
SALEABLE	NOT APPLICABLE	34822-0423	9	A	BLACK																							
										44	43	42	41	40	39		37	36	35	34	33							
						65					31			28														
SALEABLE	NOT APPLICABLE	34566-9183	9	B	ST GRAY	72	71	70	69	68	67		65	64	63	62	61	60	59			57	56	55	54	53		
						52	51	50	49	48	47	46	45	44	43	42		40	39									
						73				32	31	30	29	28	27	26	25	24	23	22	21							
SALEABLE	NOT APPLICABLE	34566-9193	9	F	NATURAL				69	68																		
						73							30															
SALEABLE	NOT APPLICABLE	34822-0433	0	A	BLACK	64	63	62		60	59		57	56	55	54	53	52	51	50	49							
						48	47	46	45				42															
						65				32		30	29	28	27	26	25	24	23	22	21							
SALEABLE	NOT APPLICABLE	34822-0443	0	A	BLACK	64	63	62		60	59		57	56	55	54	53	52	51	50	49							
						48	47	46	45				42															
						65				32	31	30	29	28	27	26	25	24	23	22	21							



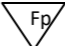
MX123 52/66/73/80-WAY RECEPTACLE ASSY SEALED PIN OUT SHEET

STATUS	GM PART #	HRNS CONN ASSY			TPA	GROMMET CAP																						
		MATERIAL/PART	WIRE DRESS OPTION	KEY OPTION	COLOR	NUMBERS INDICATE CAVITIES OPEN FOR CIRCUITS																						
		NUMBER		▽ Fp	▽ Fp	▽ Fp																						
SALEABLE	NOT APPLICABLE	34822-0453	0	A	BLACK	44	59	58	57	56	39	54	53	36	35	50	66											
						65						31		28		26	25	24	23									
						16	15	14	13			9	8	7	6													
SALEABLE	NOT APPLICABLE	34566-9213	0	B	ST GRY	51	50	49	68	67	66	65	64			59	58	57	55	54	53							
						48		46	45		43	42	41	40	39	38	37		35									
						73						32	31	30			26		24	23	22		20					
SALEABLE	NOT APPLICABLE	34566-9223	9	B	ST GRY	72										62	61	60	59			55						
						52			48	47	46								41	40		38	37	36	35			
						73								30								22	21	20	19	18		
SALEABLE	NOT APPLICABLE	34566-9233	9	C	BLUE	71				67		65	64			61	60	59		57		54						
						52	51	50	48	47		45	44			41		39		37						34	33	
						73						32				28	27		25		23							18
SALEABLE	NOT APPLICABLE	34566-9243	9	B	ST GRY	72	71	70	69					64	63		61			58	57	56	55					
						52	51	50	49						43						38	37	36				33	
						73						32		30	29	28		26	25	24	23	22	21	20				
SALEABLE	NOT APPLICABLE	34566-9253	9	B	ST GRY	72	71	70	69	68	67		65	64	63	62	61	60	59		57	56	55	54	53			
						52	51	50	49	48	47	46	45	44	43	42		40	39				36	35	34	33		
						73						32	31	30	29	28	27	26	25	24	23	22	21					
SALEABLE	NOT APPLICABLE	34566-9263	9	B	ST GRY	72				68						62	61	60	59			55						
						52					46			43		41	40					22	21	20				
						73						16	15	14							8		6		4			
SALEABLE	NOT APPLICABLE	34822-0463	0	A	BLACK	64	63	62		60	59		57	56	55	54	53	52	51	50	49	66						
						48	47	46	45		43	42			39		37	36	35	34	33							
						65						32		30	29	28	27	26	25	24	23	22	21	20	19	18	17	
SALEABLE	NOT APPLICABLE	34822-0473	9	C	BLUE	64	63	62		60	59		57	56	55	54	53		51		49	66						
						48	47	46	45			42			39		37	36	35	34	33							
						65						32											21			19	18	17
SALEABLE	NOT APPLICABLE	34822-0483	9	A	BLACK	64	63								54	53		51		49	66							
															38	37		35		33								
						65										28				24	23		21	20	19	18	17	
SALEABLE	NOT APPLICABLE	34566-9273	9	B	ST GRY	72	71	70	69	68	67		65	64	63		61	60	59		57	56	55	54	53			
								50	49	48	47	46		44	43	42		40	39				36	35	34	33		
						73						32	31	30	29	28	27	26	25	24	23	22	21					
SALEABLE	NOT APPLICABLE	34822-0493	0	C	BLUE	64	63	62		60	59		57	56	55	54	53	52	51	50	49	66						
						48	47	46	45			42			39		37	36	35	34	33							
						65						32		30	29	28	27	26	25	24	23	22	21	20	19	18	17	
SALEABLE	NOT APPLICABLE	34566-9283	9	G	BLUE	80	79	78							71			67										
						60	59	58	57			54			51	50	49	48	47			44					41	
						40	39		37				33	32		30	29	28	27		25	24						
SALEABLE	NOT APPLICABLE	34566-9293	9	G	BLUE			18						12	11		9	8		5								
						80	79	78							71				67									
						60	59	58	57			54			51	50	49	48	47			44						41
SALEABLE	NOT APPLICABLE	34566-9313	9	A	BLACK	72								64		62	61		58	57	56	55	54	53				
						52	51			48		46	45		43		41	40			37							
						73						32		30	29		27		25				20					

MX123 52/66/73/80-WAY RECEPTACLE ASSY SEALED PIN OUT SHEET

STATUS	GM PART #	HRNS CONN ASSY			TPA	GROMMET CAP																								
		MATERIAL/PART	WIRE DRESS OPTION	KEY OPTION Fp	COLOR OPTION Fp	NUMBERS INDICATE CAVITIES OPEN FOR CIRCUITS																								
		NUMBER				Fp																								
SALEABLE	NOT APPLICABLE	34566-9323	9	A	BLACK	72									64		62	61		59	58	57	56	55	54	53				
						52	51			48		46	45		43		41	40								20				
						73			32		30	29		27		25											4	3		
SALEABLE	NOT APPLICABLE	34566-9333	9	A	BLACK	72									64		62	61		59	58	57	56	55	54					
						52	51			48		46	45		43		41	40								20				
						73			32		30	29		27		25											4			
SALEABLE	NOT APPLICABLE	34566-9343	9	C	BLUE	72		70	69	68		66				63	62				58			56	55		53			
									49			46			43	42		40				38			36	35				
						73					31	30	29			26		24					22	21		20	19		17	
SALEABLE	NOT APPLICABLE	34822-0503	0	A	BLACK	64		62	61	60	59	58				54	53		51											
						48	47								38	37	36		34											
						65					15		13					9		7						4	3	2	1	
SALEABLE	NOT APPLICABLE	34822-0513	9	A	BLACK		63	62	61		59					54	53						49							
															38	37		35						33						
						65					31		28				24			22	21				20	19	18	17		
SALEABLE	NOT APPLICABLE	34566-9353	9	A	BLACK	72									64		62	61			58	57	56	55	54	53				
						52	51			48		46	45		43		41	40							37		35	34		
						73			32		30	29		27		25										20				
SALEABLE	NOT APPLICABLE	34566-9363	9	A	BLACK	72									64		62	61					57	56	55	54	53			
						52	51					46	45		43			40							37		35	34		
						73			32		30	29		27		25										20				
SALEABLE	NOT APPLICABLE	34566-9373	9	G	BLUE	80														66			64							
							59		57									49												
							39											30												
SALEABLE	NOT APPLICABLE	34566-9383	9	A	BLACK	72	71	70	69	68					64	63	62	61		59	58	57	56	55	54	53				
						52	51	50		48	47	46	45	44	43		41	40	39	38	37					35	34	33		
						73			32		30	29		27	26	25	24									20	19	18	17	
SALEABLE	NOT APPLICABLE	34566-9393	0	B	ST GRAY	72	71	70	69	68	67		65	64	63		61	60	59			57	56	55	54	53				
						52	51	50	49	48	47	46	45	44	43	42		40	39						36	35	34	33		
						73			32	31	30	29	28	27	26	25	24	23	22	21	20					4	3	2		
SALEABLE	NOT APPLICABLE	34566-9413	9	H	ST GRAY																									
SALEABLE	NOT APPLICABLE	34566-9423	0	A	BLACK	72	71	70			67	66									58	57	56	55	54	53				
						52	51	50			47	46										39		37	36	35		33		
						73			32	31	30	29	28	27	26													18	17	
SALEABLE	NOT APPLICABLE	34566-9433	0	B	ST GRAY	72	71	70	69	68	67	66	65	64	63		61				58	57	56	55	54	53				
						52	51	50	49	48	47	46	45	44				40	39						37	36	35	34	33	
						73					30	29	28	27	26	25	24									21				
SALEABLE	NOT APPLICABLE	34566-9443	9	B	ST GRAY	72	71	70	69	68	67		65	64	63	62	61	60	59			57	56	55	54	53				
								50	49	48	47	46		44	43	42		40	39							36	35	34	33	
						73			32	31	30	29	28	27	26	25	24	23	22	21										
SALEABLE	NOT APPLICABLE	34566-9453	0	A	BLACK	72	71	70	69		67			64			61	60	59			57	56	55	54	53				
						52	51					45	44				41	40	39	38	37	36	35	34						
						73					31	30	29		27	26	25									19	18			

MX123 52/66/73/80-WAY RECEPTACLE ASSY SEALED PIN OUT SHEET

STATUS	GM PART #	HRNS CONN ASSY			TPA	GROMMET CAP																												
		MATERIAL/PART	WIRE DRESS OPTION	KEY OPTION	COLOR OPTION	NUMBERS INDICATE CAVITIES OPEN FOR CIRCUITS 																												
		NUMBER		▽ Fp	▽ Fp																													
SALEABLE	NOT APPLICABLE	34566-9463	0	G	BLUE	80	79	78				75								66	65	64												
							59															46			43	42	41							
								39	38	37		35											30			26	25	24				22	21	
						20			18	17	16							12							8	7	6	5			3	2	1	
SALEABLE	NOT APPLICABLE	34566-9473	0	G	BLUE	80	79	78				75									66	65	64								62			
							59																	46			43	42	41					
								39	38	37		35													30			26	25	24			22	21
						20			18	17	16							12							8	7	6	5			3	2	1	
SALEABLE	NOT APPLICABLE	34566-9483	0	G	BLUE	80	79	78				75									66	65	64											
							59																	46			43	42	41					
								39	38	37		35													30			26	25	24			22	21
						20			18	17	16							12							8	7	6	5			3	2	1	
SALEABLE	NOT APPLICABLE	34566-9493	0	G	BLUE	80	79	78				75									66	65												
							59																	46			43	42	41					
								39	38	37		35													30			26	25	24			22	21
						20			18	17	16							12							8	7	6	5			3	2	1	
SALEABLE	NOT APPLICABLE	34566-9513	0	G	BLUE	80	79	78	77	76	75	74	73	72	71	70	69	68	67	66	65	64	63	62	61									
						60	59	58	57	56	55	54	53	52	51	50	49	48						46			43	42	41					
								39	38	37		35													30			26	25	24			22	21
						20			18	17	16														12			8	7	6	5		3	2
SALEABLE	NOT APPLICABLE	34566-9523	0	G	BLUE	80	79	78				75									66	65	64											
							59																	46			43	42	41					
								39	38	37		35													30			26	25	24			22	21
						20			18	17	16														8	7	6	5			3	2	1	
SALEABLE	NOT APPLICABLE	34822-0523	0	C	BLUE	64	63	62		60	59		57	56	55	54	53	52	51	50	49													
						48	47	46	45					42				39		37	36	35	34	33										
SALEABLE	NOT APPLICABLE	34566-9543	0	A	BLACK					49	48	47	46	45	44	43					40		38	37	36			34						
SALEABLE	NOT APPLICABLE	34566-9553	0	C	BLUE	52	51	50	49																									
SALEABLE	NOT APPLICABLE	34566-9563	0	C	BLUE	72	71	70	69																									
						52	51	50	49	48	47	46	45	44																				
SALEABLE	NOT APPLICABLE	34566-9573	0	B	ST GRAY	72	71	70	69	68	67																							
						52	51	50	49	48	47	46	45	44	43	42																		
SALEABLE	NOT APPLICABLE	34566-9583	0	B	ST GRAY	72	71	70	69	68	67	66	65	64	63																			
						52	51	50	49	48	47	46	45	44	43																			
SALEABLE	NOT APPLICABLE	34566-9593	0	A	BLACK	72		70																										
						52	51			48	47																							
SALEABLE	NOT APPLICABLE	34566-9613	0	C	BLUE		71	70	69																									
						52	51	50	49																									
SALEABLE	NOT APPLICABLE	34566-9623	9	B	ST GRAY	72	71	70																										
						52	51	50																										

MX123 52/66/73/80-WAY RECEPTACLE ASSY SEALED PIN OUT SHEET

STATUS	GM PART #	HRNS CONN ASSY			TPA	GROMMET CAP																					
		MATERIAL/PART	WIRE DRESS OPTION	KEY OPTION Fp	COLOR OPTION Fp	NUMBERS INDICATE CAVITIES OPEN FOR CIRCUITS																					
		NUMBER				Fp																					
SALEABLE	NOT APPLICABLE	34566-9633	9	B	ST GRY	72	71	70	69	68	67		65	64	63		61	60	59		57	56	55	54	53		
						52	51	50	49	48	47	46	45	44	43	42		40	39				36	35	34	33	
						73				32	31	30	29	28	27	26	25	24	23	22	21	20				3	2
SALEABLE	NOT APPLICABLE	34566-9643	9	A	BLACK				69					64	63		61		59								
						52				48				44	43		41		39	38				35	34		
						73						30	29								10					5	
SALEABLE	NOT APPLICABLE	34566-9653	9	G	BLUE	80														66	65						
							59		57																		
							39									30											
SALEABLE	NOT APPLICABLE	34566-9663	0	B	ST GRY	72	71	70	69	68	67	66	65	64	63		61				58	57	56	55	54	53	
						52	51	50	49	48	47	46	45	44				40					37	36	35	34	33
						73				32		30	29	28				26	25	24				21			
SALEABLE	NOT APPLICABLE	34822-0533	9	C	BLUE	64	63			60	59		57	56	55		53	52	51	50	49	66					
						48	47	46	45			42			39	38		36	35	34	33						
						65				32		30	29	28	27	26	25	24	23	22			20			18	17
SALEABLE	NOT APPLICABLE	34822-0543	0	A	BLACK	64	63	62	61	60	59					54	53		51		49	66					
							47									38	37		35		33						
						65								28			25	24		22	21	20	19	18	17		
SALEABLE	NOT APPLICABLE	34822-0553	0	A	BLACK	64	63								54	53		51		49	66						
														38	37		35		33								
						65					31			28				24	23		21	20	19	18	17		
SALEABLE	NOT APPLICABLE	34822-0563	0	C	BLUE	64	63	62		60	59		57	56	55	54	53	52	51	50	49	66					
						48	47	46	45			42			39		37	36	35	34	33						
						65				32		30	29	28	27	26		24	23	22					19	18	17
SALEABLE	NOT APPLICABLE	34566-9673	0	C	BLUE	72	71	70	69		67	66	65	64				60				56		54			
						52	51	50	49		47	46	45	44				40	39	38						34	
						73					31	30		28			26	25	24	23	22	21	20				
SALEABLE	NOT APPLICABLE	34566-9683	0	B	ST GRY	72	71	70	69	68	67	66	65	64	63		61	60				57	56	55	54		
						52	51	50	49	48	47	46	45	44	43		41	40				38	37	36	35		33
						73				32	31	30	29	28				26		24	23	22	21	20	19		
SALEABLE	NOT APPLICABLE	34566-9693	0	A	BLACK	72		70			67					63											
						52	51			48	47				43	42		40	39	38	37	36	35			33	
						73								28													18
SALEABLE	NOT APPLICABLE	34566-9713	0	B	ST GRY					68	67	66	65	64					59	58	57		55	54	53		
							51	50	49	48		46	45		43	42		40	39	38	37			35			33
						73				32	31	30				26		24	23	22		20					
SALEABLE	NOT APPLICABLE	34566-9723	0	B	ST GRY	72	71	70	69	68	67	66	65	64	63		61					58	57	56	55		
						52	51	50	49	48	47	46	45		43			40				37	36				
						73				32		30	29	28			26	25	24			21			19		
SALEABLE	NOT APPLICABLE	34566-9733	0	A	BLACK	72	71	70			67	66							59						53		
						52	51	50			47	46							39				37			35	33
						73						30	29	28	27	26					21						
SALEABLE	NOT APPLICABLE	34822-0573	0	A	BLACK	64	63									54	53		51		49	66					
															38	37		35		33							
						65								28				24		22		20	19	18	17		

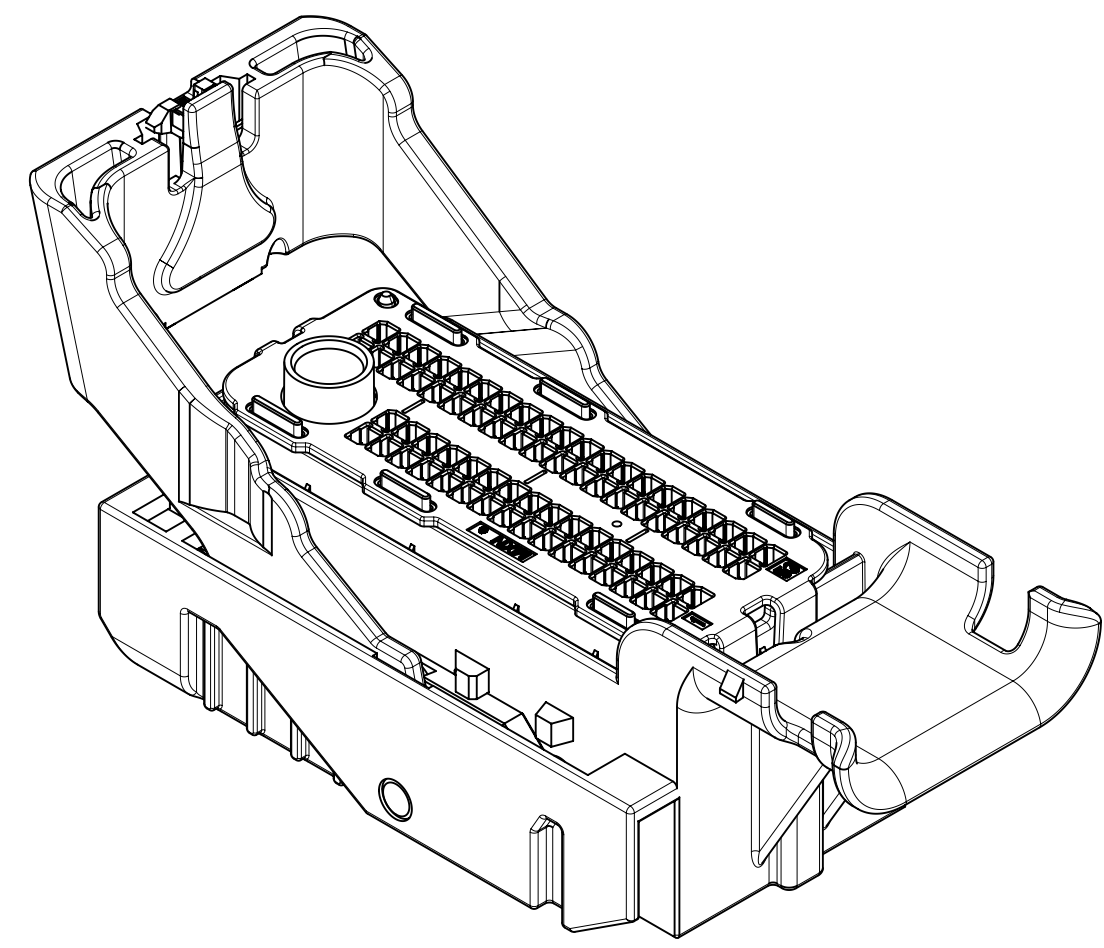


MX123 52/66/73/80-WAY RECEPTACLE ASSY SEALED PIN OUT SHEET

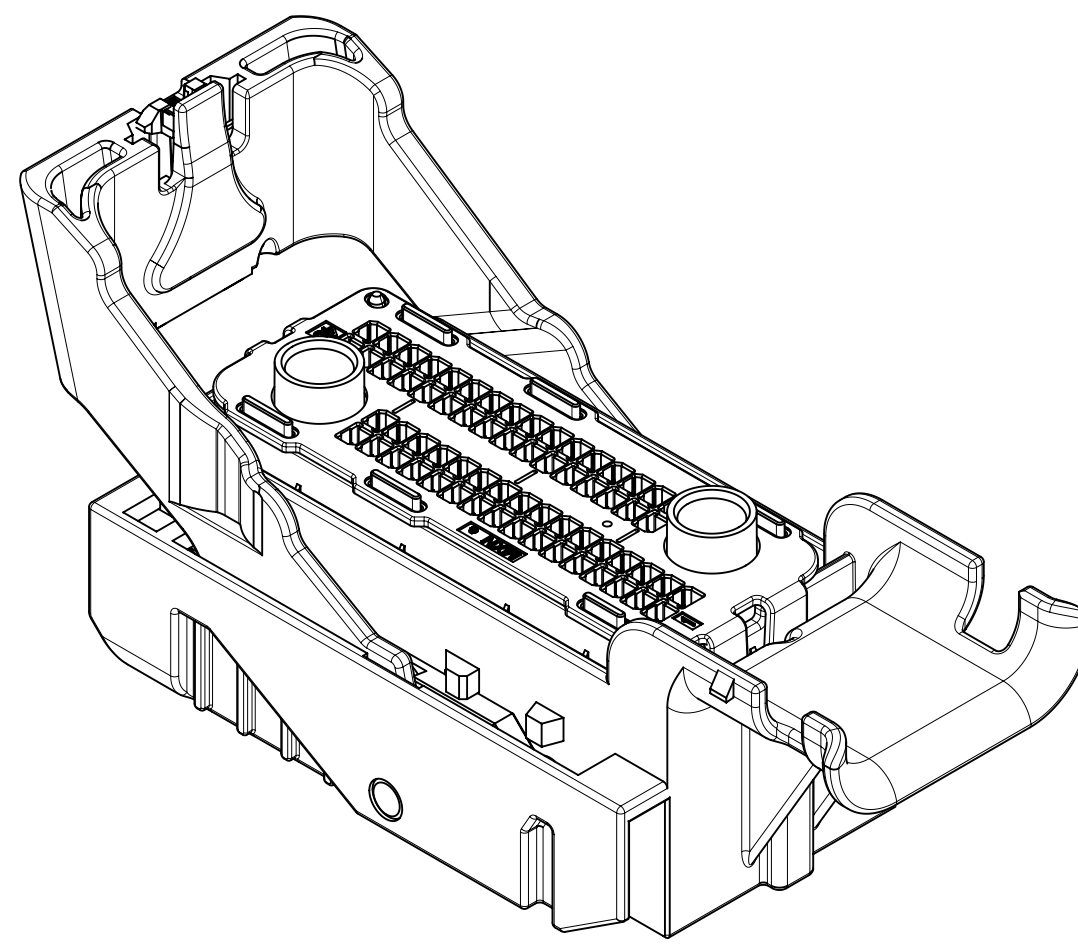
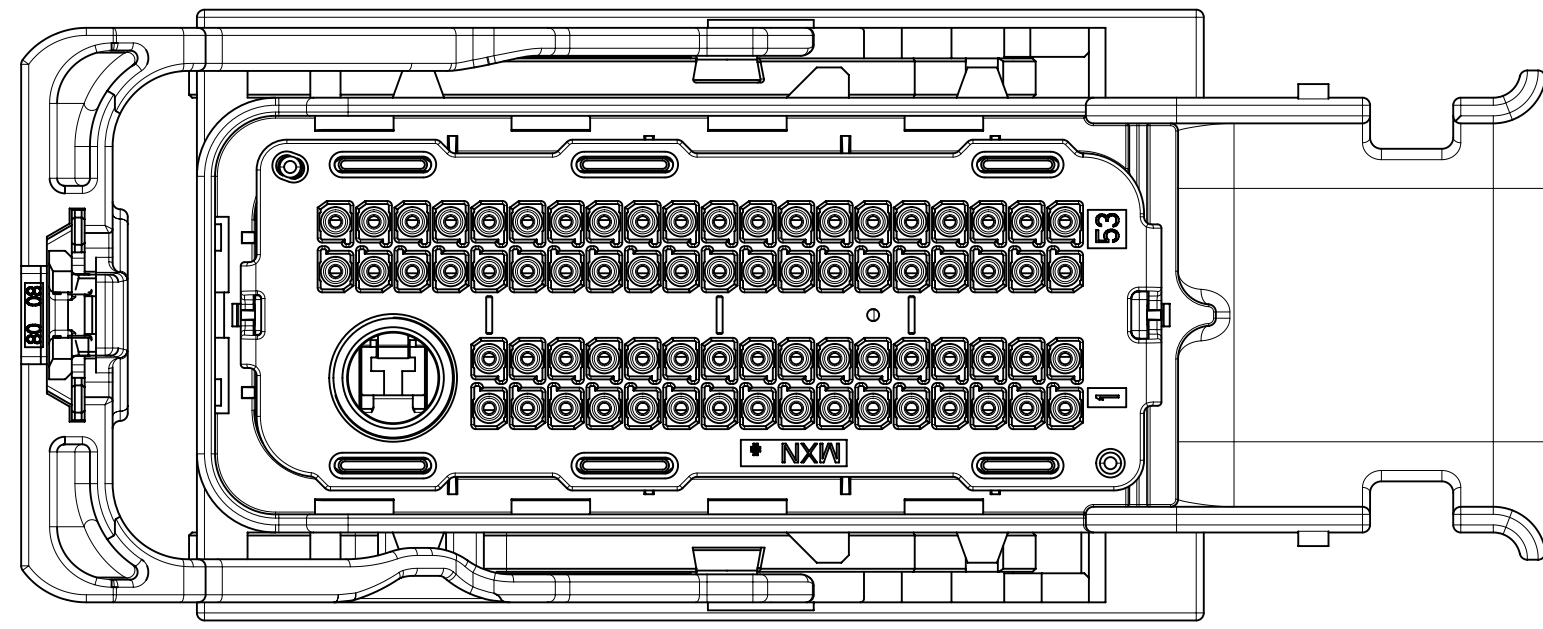
Table with columns: STATUS, GM PART #, HRNS CONN ASSY (MATERIAL/PART NUMBER, WIRE DRESS OPTION, KEY OPTION Fp), TPA (COLOR OPTION Fp), GROMMET CAP (NUMBERS INDICATE CAVITIES OPEN FOR CIRCUITS). Rows include part numbers like 34822-0583, 34822-0593, 34566-9743, etc., with various pin configurations and options.

MX123 52/66/73/80-WAY RECEPTACLE ASSY SEALED PIN OUT SHEET

STATUS	GM PART #	HRNS CONN ASSY			TPA	GROMMET CAP																						
		MATERIAL/PART	WIRE DRESS OPTION	KEY OPTION Fp		COLOR OPTION Fp	NUMBERS INDICATE CAVITIES OPEN FOR CIRCUITS																					
		NUMBER					Fp																					
SALEABLE	NOT APPLICABLE	34822-0653	0	A	BLACK	64	63	62	61		59					54	53				49	66						
						65				31	28								24	22	21	20	19	18	17			
SALEABLE	NOT APPLICABLE	34566-9833	9	B	ST GRAY	72	71	70	69	68	67			64	63		61			58	57	56	55	54	53			
						52	51	50	49	48	47			44	43		41			38	37	36					33	
						73				32	29	28					26	25	24	23	22	21	20					
SALEABLE	NOT APPLICABLE	34566-9843	9	A	BLACK	72	71	70			67	66	65	64	63	62	61			59				55	54	53		
						52	51	50			47	46	45	44	43	42	41	40	39			37	36	35	34	33		
						73					30	29															18	17
SALEABLE	NOT APPLICABLE	34566-9853	9	B	ST GRAY	72	71	70	69	68	67			65	64	63	62	61	60	59	58	57	56	55	54	53		
						52	51	50	49	48	47	46	45	44	43	42		40	39			36	35	34	33			
						73				32	31	30	29	28	27	26	25	24	23	22	21	20						
SALEABLE	NOT APPLICABLE	34566-9863	0	B	ST GRAY	72	71	70	69	68	67			65	64	63	62	61	60	59		57	56	55	54	53		
						52	51	50	49	48	47	46	45	44	43	42		40	39			36	35	34	33			
						73				32	31	30	29	28	27	26	25	24	23	22	21							
SALEABLE	NOT APPLICABLE	34566-0004	0	A	BLACK	72	71	70	69		67			64	63		61	60	59		57	56	55	54	53			
						52	51			48			45	44	43		41	40	39	38	37	36	35	34	33			
						73					31	30	29		27	26	25			22						19	18	
SALEABLE	NOT APPLICABLE	34566-0014	0	G	BLUE	80	79	78	77		75								66	65	64		62					
							59		57											46				43	42	41		
							39	38	37		35		33	32		30				26	25	24			22	21		
SALEABLE	NOT APPLICABLE	34566-0024	0	G	BLUE																							
SALEABLE	NOT APPLICABLE	34566-0034	0	G	BLUE	80	79	78			75							66	65	64		62						
							59		57				53						46				43	42	41			
							39	38	37		35		33	32		30				26	25	24			22	21		
SALEABLE	NOT APPLICABLE	34566-0044	0	A	BLACK	72	71	70	69		67			64			61	60	59		57	56	55	54	53			
						52	51			48			45	44			41	40	39	38	37	36	35	34	33			
						73					31	30	29		27	26	25			22					19	18		
SALEABLE	NOT APPLICABLE	34566-0054	0	G	BLUE	80	79	78	77		75							66	65	64		62						
							59		57										46				43	42	41			
							39	38	37		35		33			30				26	25	24			22	21		
SALEABLE	NOT APPLICABLE	34566-0064	0	A	BLACK	72	71	70	69		67			64	63		61	60	59		57	56	55	54	53			
						52	51			48			45	44	43		41	40	39	38	37	36	35	34				
						73					31	30	29		27	26	25			22					19	18		
SALEABLE	NOT APPLICABLE	34566-0084	0	A	BLACK			70	69		67			64			61	60	59		57	56	55	54	53			
						52	51			48			45	44			41	40	39	38	37	36	35	34	33			
						73					31	30	29		27	26	25			22					19			
SALEABLE	NOT APPLICABLE	34566-0094	0	B	ST GRAY	72	71	70	69	68	67			65	64	63	62	61	60	59		57	56	55	54	53		
						52	51	50	49	48	47	46	45	44	43	42		40	39			36	35	34	33			
						73				32	31	30	29	28	27	26	25	24	23	22	21							
SALEABLE	NOT APPLICABLE	34566-0104	0	B	ST GRAY	72	71	70	69	68	67			65	64	63	62	61	60	59		57	56	55	54	53		
								50	49	48	47	46		44	43	42		40	39			36	35	34	33			
						73				32	31	30	29	28	27	26	25	24	23	22	21							



73 CKT
SCALE 3:2



66 CKT
SCALE 3:2

NOTES: UNLESS OTHERWISE SPECIFIED

1. MATERIAL:

- A. RESIN: SEE COMPONENT DRAWINGS
- B. COLOR: SEE TABLE

2. DESIGN - GENERAL:

A. THIS IS A 100% CAD GENERATED PART. THE CAD MATHEMATICAL DATA IS THE MASTER FOR THIS PART. FOR DIMENSIONAL OR ANY INFORMATION NOT SHOWN ON THIS DRAWING, ANALYZE THE CAD MODEL.

B. TOLERANCES:

- a. LINEAR X.X ± 0.30
X.XX ± 0.10
X.XXX ± 0.10
- b. ANGULAR X° ± 3.0°

C. CORNERS SHOWN AS SHARP TO BE R 0.2 MAX.

D. FOLLOWING PRODUCTION CODES TO BE PERMANENTLY MARKED & HUMAN READABLE TO A LETTER HEIGHT < 3mm.

LINE #1: MATERIAL #:XXXX-XXXX

LINE #2: DATE CODE: JJJY (JULIAN DAY, LAST DIGIT OF YEAR)

LINE #3: INSPECTION MACHINE CODE + SERIAL #: X_XXXX

E-1. PARTS MUST BE FREE OF DISCOLORATION, SALT RESIDUE AND OTHER IMPERFECTIONS THAT AFFECT FIT OR FUNCTION.

E-2. SCRATCHES OR DENTS NOT TO EXCEED 0.13mm IN DEPTH.

F. CHANGES IN DESIGN FROM PART PREVIOUSLY APPROVED REQUIRES PRIOR ENGINEERING APPROVAL. THIS INCLUDES BUT IS NOT LIMITED TO DRAFT, MATERIAL OR PROCESSING.

G. SHALL CONFORM TO THE FOLLOWING PACKAGING SPECIFICATION : PK-31300-019

3. DESIGN - MANUFACTURING:

A. DRAFT TO BE WITHIN TOLERANCE.

B. ALLOWABLE FLASH 0.2 MAX HIGH X 0.13 MAX THICK.

C. ALLOWABLE PARTING LINE MISMATCH 0.2 MAX.

D. EJECTOR PINS MARK TO BE FLUSH TO 0.25 MAX DEPRESSED.

E. ALLOWABLE GATE VESTIGE TO BE FLUSH TO 0.25 MAX PROTRUSION.

4. SYSTEM REQUIREMENTS:

WHEN TESTED TO SAE/USCAR-2 REV: 3, APRIL 2001, AND GMW #3191, AUGUST 22, 2000 (DRAFT).

A. TPA (WITHOUT TERMINALS)

a. INSERTION FORCE FROM PRE-SET TO LOCK: ≥20N

b. REMOVAL FORCE FROM PRE-SET: ≥20N

B. CPA

a. INSERTION FORCE FROM PRE-SET TO LOCK WITH CONNECTOR UN-MATED: ≥60N

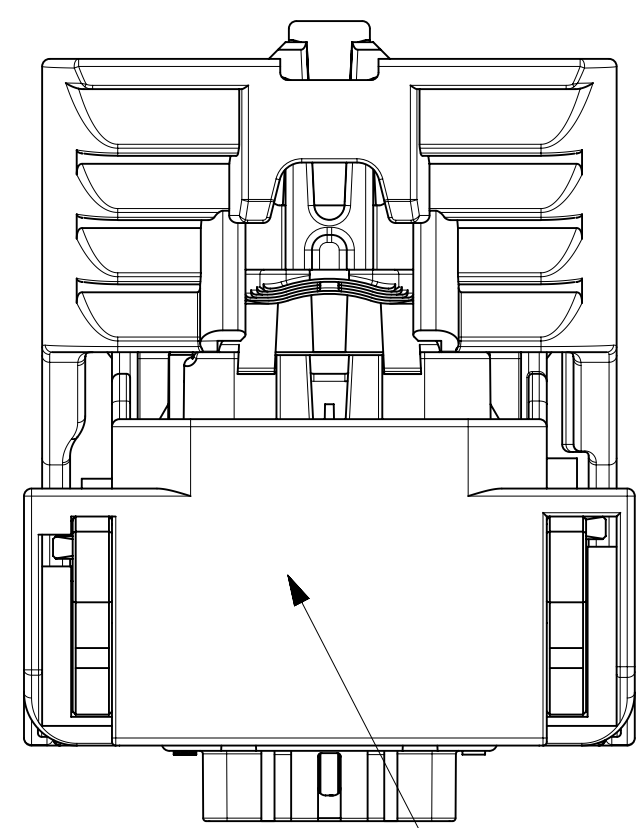
b. REMOVAL FORCE FROM PRE-SET: ≥30N

C. GROMMET CAP

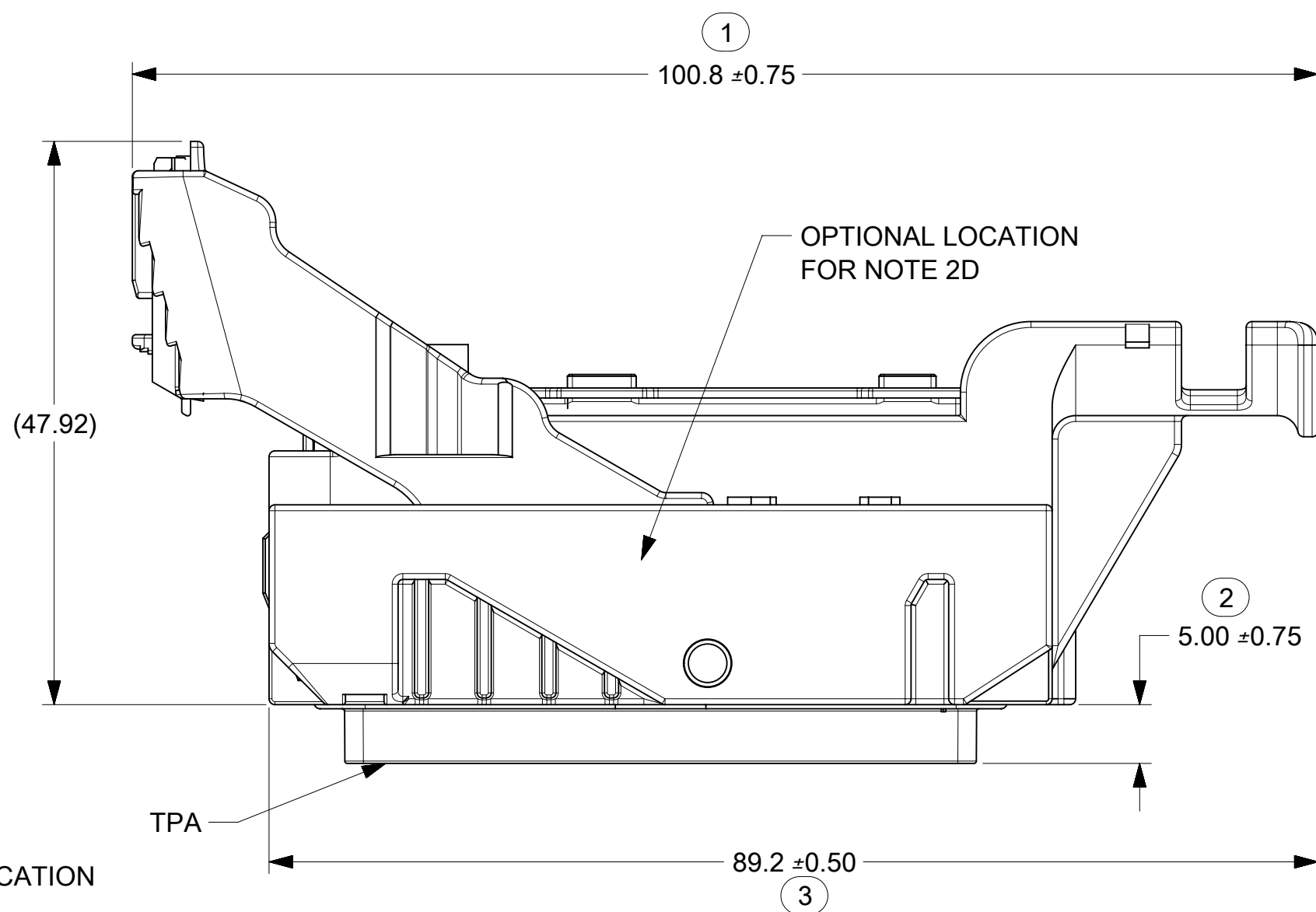
a. REMOVAL FORCE FROM HOUSING WITH ENGAGED LATCHES: ≥110N

D. MATE ASSIST LEVER

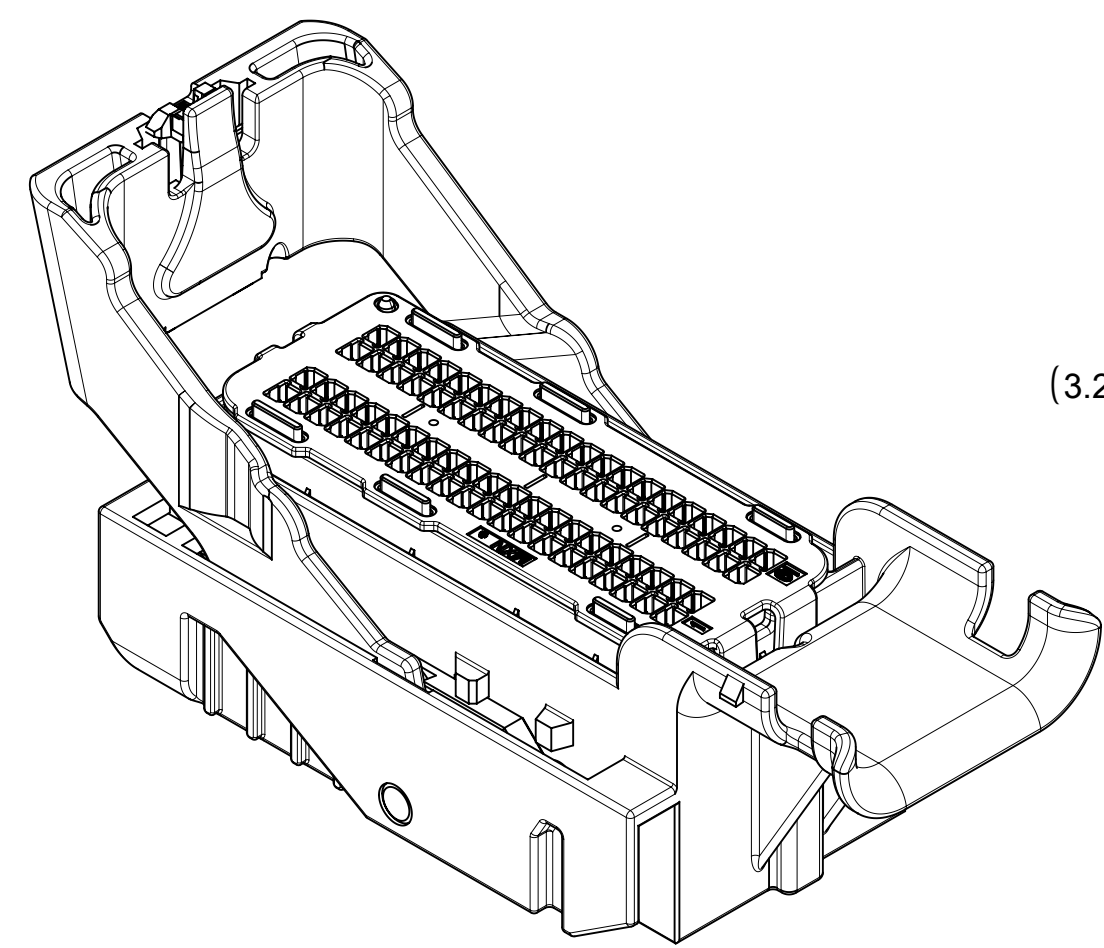
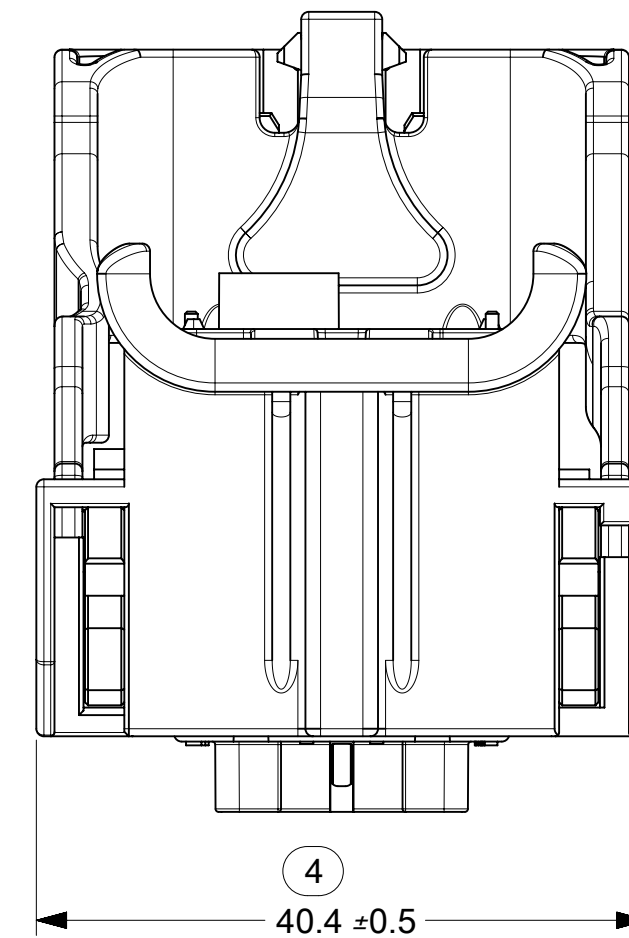
a. INADVERTENT ACTUATION FORCE DURING SHIPPING, HANDLING OR PRE-ASSEMBLY: ≥190N



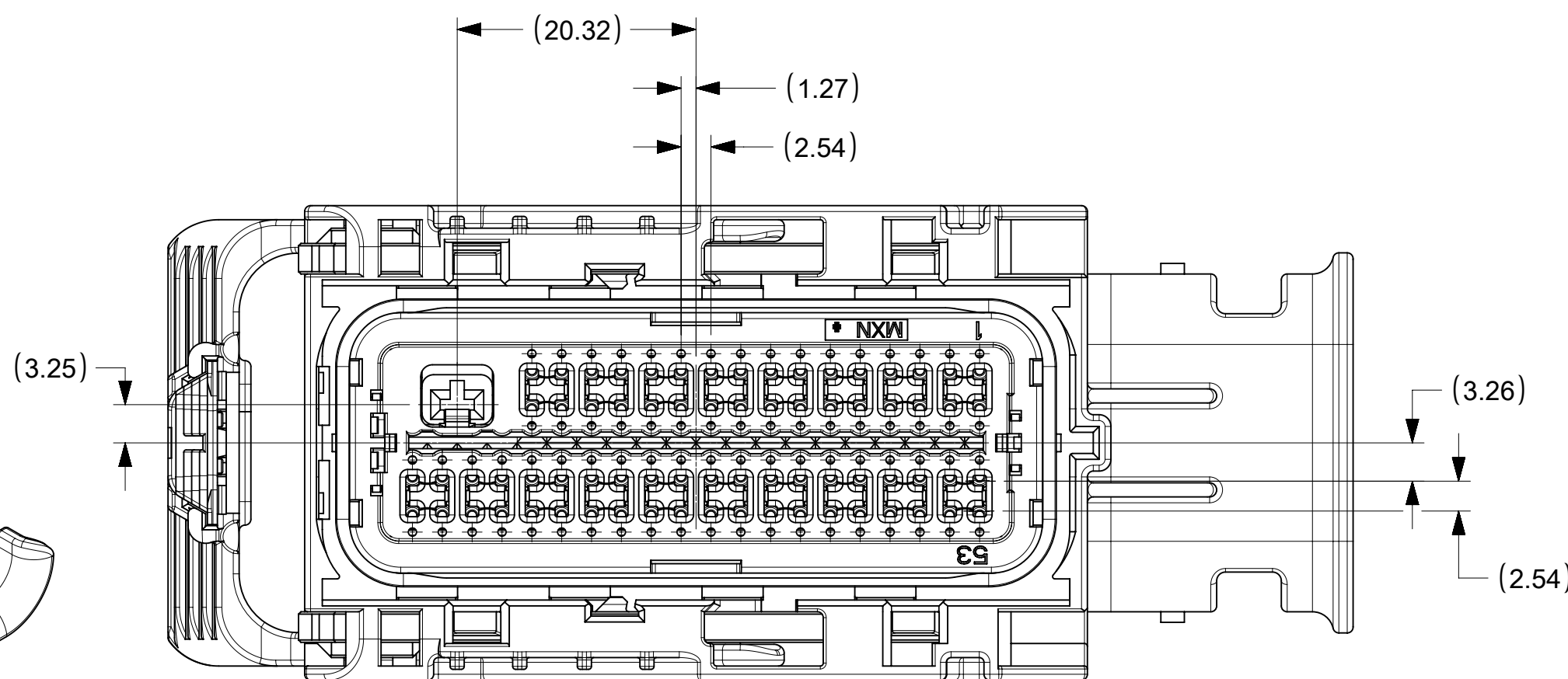
RECOMMENDED LOCATION FOR NOTE 2D



OPTIONAL LOCATION FOR NOTE 2D



80 CKT
SCALE 3:2



G63	CHANGE DIMENSION 47.92 AND 89.2±0.50 POSITION; CHANGE > TO ≥ IN NOTES 4; TAKE OFF MODEL NUMBERS IN SHEET 2-4
G62	UPDATE ALL VIEWS IN SHEET 1, SHEET 2 AND SHEET 3
G61	BOM MIGRATE TO 345660001-SD.pdf
G60	ADD NEW PIN CONFIGURATION 34822-0253 thru 34822-0293 , 34566-8773 thru 34566-8983, 34576-7663 thru 34576-7723
G59	UPDATED HARNESS ASSY PART# DESCRIPTIONS
G58	ADD NEW PIN CONFIGURATION 34566-8743 34566-8753 34566-8763 34822-0243
G56	TO RESOLVE ISSUES WITH VIEWS ON SHEETS 1, 2, 3 AND 4
G55	ADDED HARNESS CONNECTOR ASSEMBLY PART NUMBERS
G54	ADDED KNOCKOUT PATTERNS
G53	UPDATED DRAWING TO INCLUDE ISO WIRE AND AWG WIRE HRNS CONN ASSEMBLY PART NUMBERS
G52	ADD NEW PIN CONFIGURATION 34566-8613 34566-8623
G51	ADD NEW PIN CONFIGURATION 34566-8563 34566-8573 34566-8583 34566-8593 34822-0183 34822-0193 34822-0203 34822-0213
G50	ADD NEW PIN CONFIGURATION 34566-8543 34566-8553
G49	ADD NEW PIN CONFIGURATION 34566-8443 34566-8453 34566-8463 34566-8473 34566-8483 34566-8493 34566-8513 34566-8523 34566-8533
G48	ADD NEW PIN CONFIGURATION 34566-8393 34566-8413 34566-8423 34566-8433
G47	SHEETS SEQUENCE ARE CORRECTED
G46	ADD NEW PIN CONFIGURATION 34566-8223 34566-8233 34566-8243 34566-8253 34566-8263 34566-8273 34566-8283 34566-8293 34566-8313 34566-8323 34566-8333 34566-8343 34566-8353 34566-8363 34566-8373 34566-8383
G45	NX RE-MASTERING
G44	ADD NEW PIN CONFIGURATION 34566-8173
G43	ADD NEW PIN CONFIGURATION 34566-8163 34566-2493 SAME AS P/N 34566-3863
REV	DESCRIPTION

SYMBOLS	THIS DRAWING CONTAINS INFORMATION THAT IS PROPRIETARY TO MOLEX ELECTRONIC TECHNOLOGIES, LLC AND SHOULD NOT BE USED WITHOUT WRITTEN PERMISSION		CURRENT REV DESC:	
	DIMENSION UNITS	SCALE		
▽ = 0	MM	2:1		
▽ = 0	GENERAL TOLERANCES (UNLESS SPECIFIED)			
▽ = 0	ANGULAR TOL	± °		
▽ = 0	4 PLACES	±		
▽ = 0	3 PLACES	±		
▽ = 0	2 PLACES	±		
▽ = 0	1 PLACE	±		
▽ = 0	0 PLACES	±		
■ = 0	DRAFT WHERE APPLICABLE MUST REMAIN WITHIN DIMENSIONS		THIRD ANGLE PROJECTION	DRAWING SERIES
▽ = 0			D-SIZE	34566
			MATERIAL NUMBER	CUSTOMER
			SEE TABLE	GENERAL MARKET
			SHEET NUMBER	1 OF 8

molex

MX123
66/73/80CKT HRNS CONN ASSY

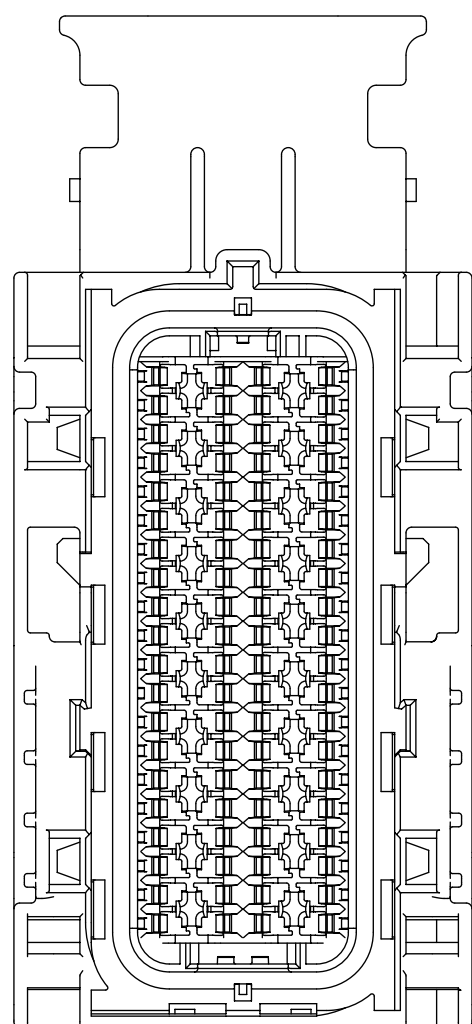
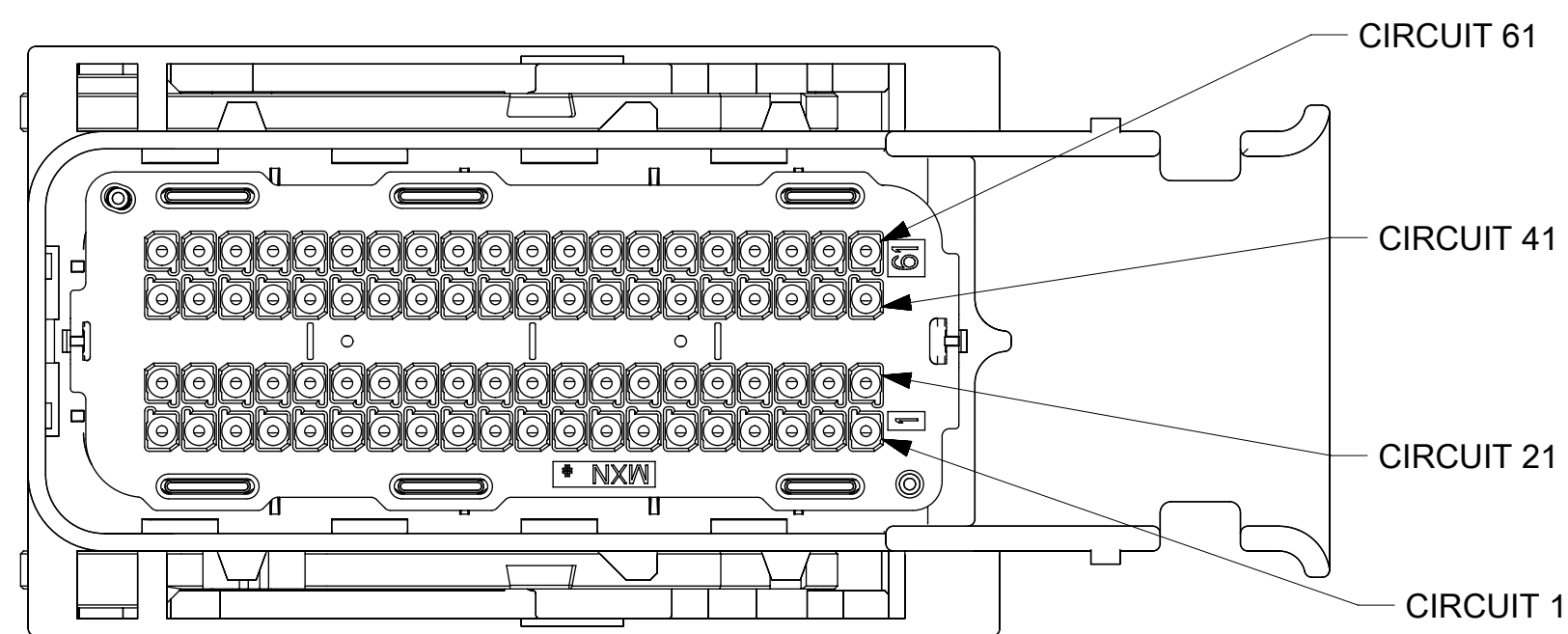
PRODUCT CUSTOMER DRAWING

DOCUMENT NUMBER	DOC TYPE	DOC PART	REVISION
SD-34566-001	PSD	000	G63

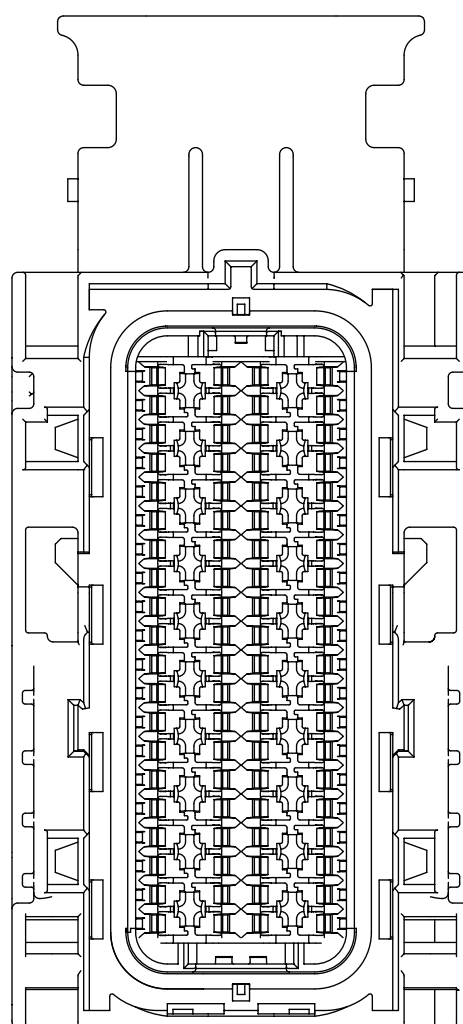
DOCUMENT STATUS	P1	RELEASE DATE	2018/10/10	03:26:09
-----------------	----	--------------	------------	----------

HOUSING ONLY, SHOWN FOR CLARITY

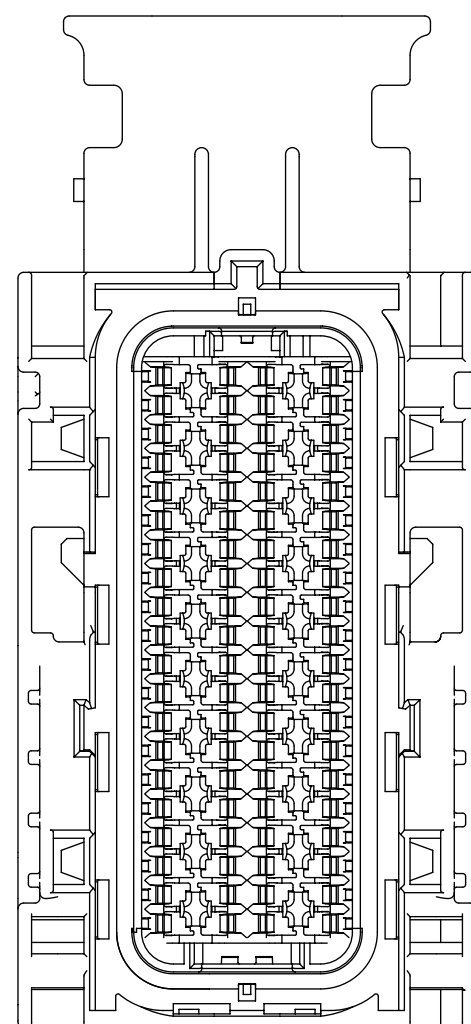
80 CKT WIRE DRESS OPTION 0



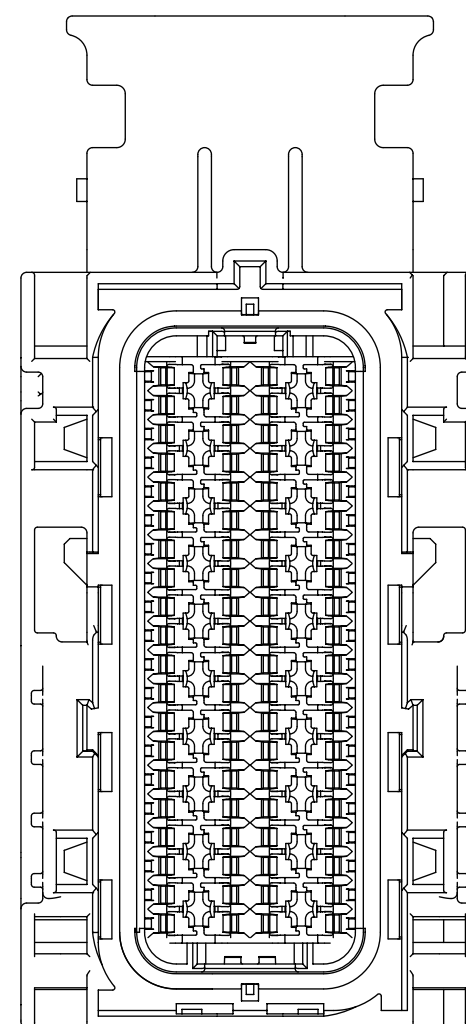
KEY G



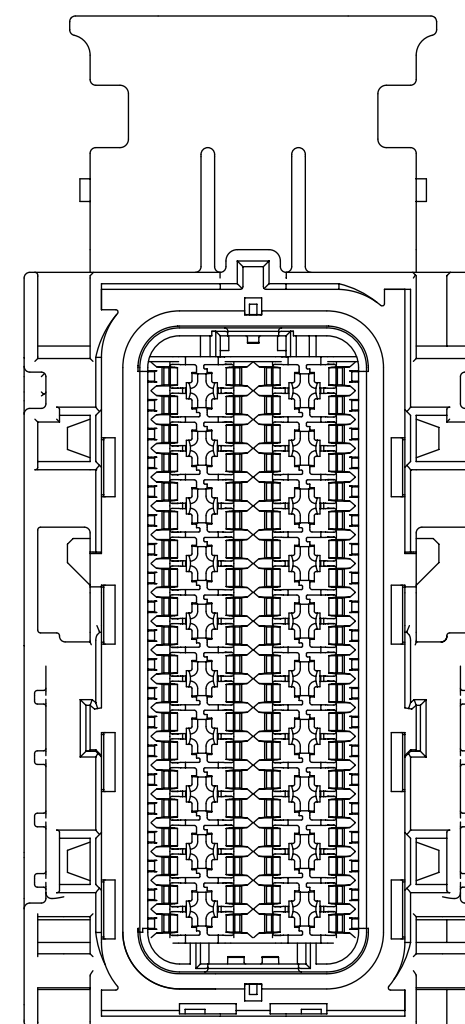
KEY H



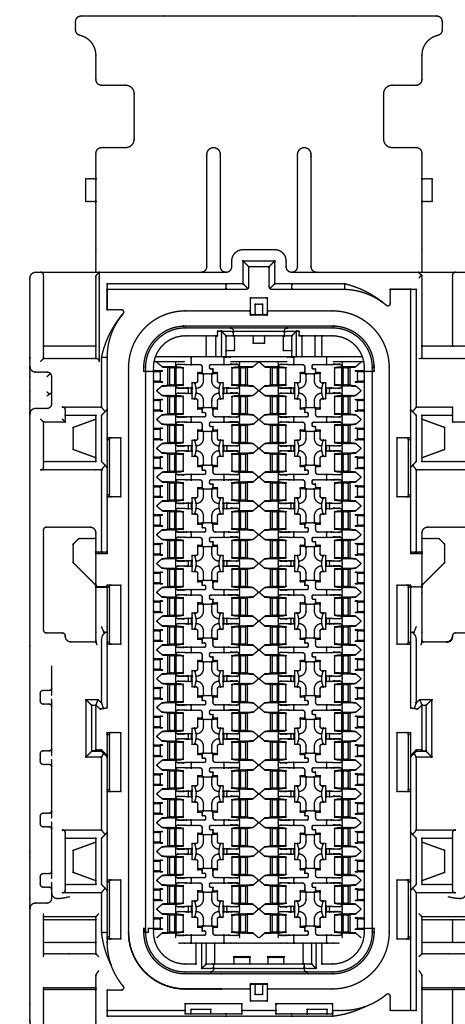
KEY J



KEY K

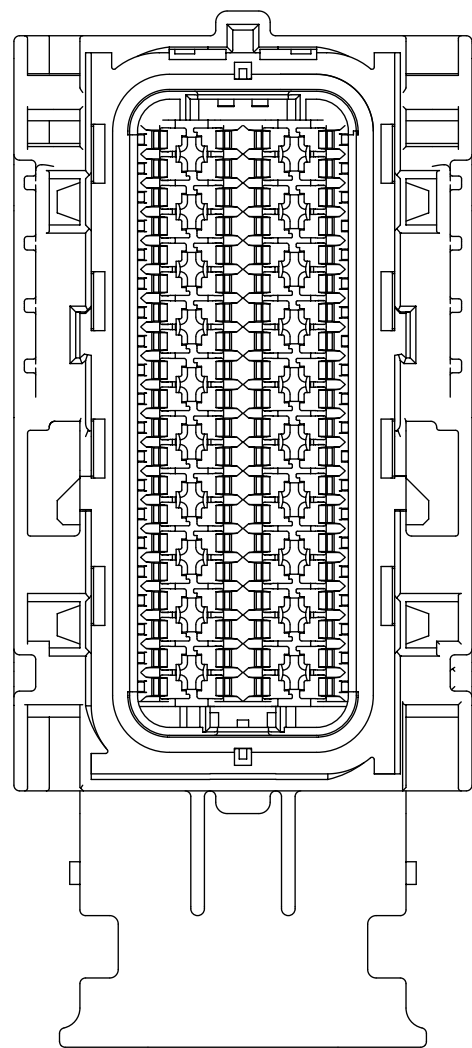
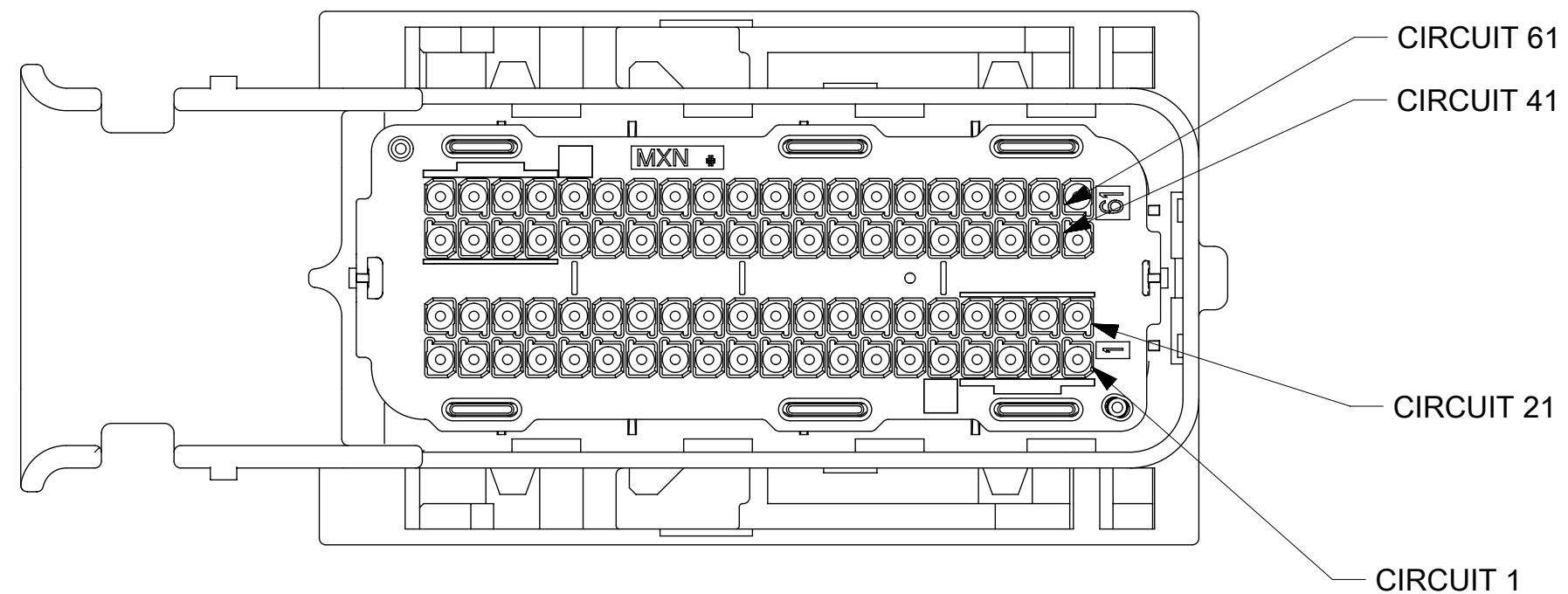


KEY L

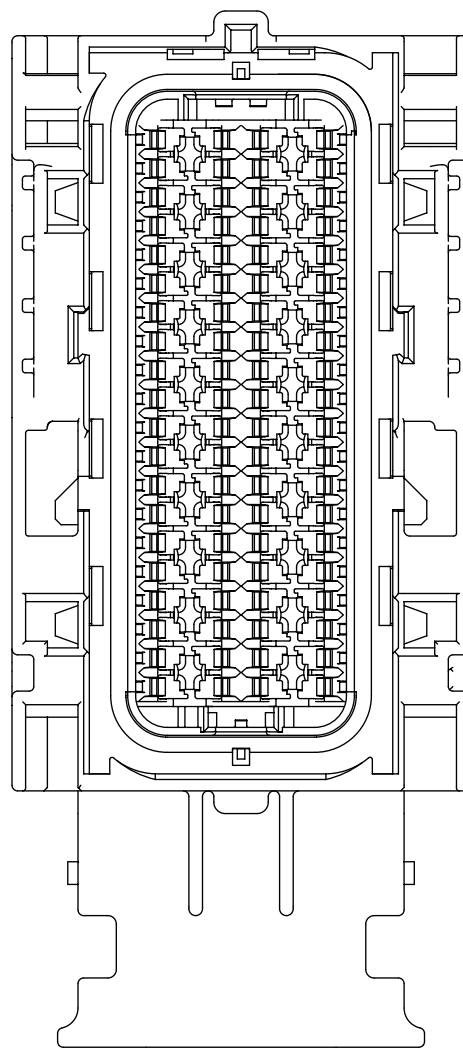


KEY M

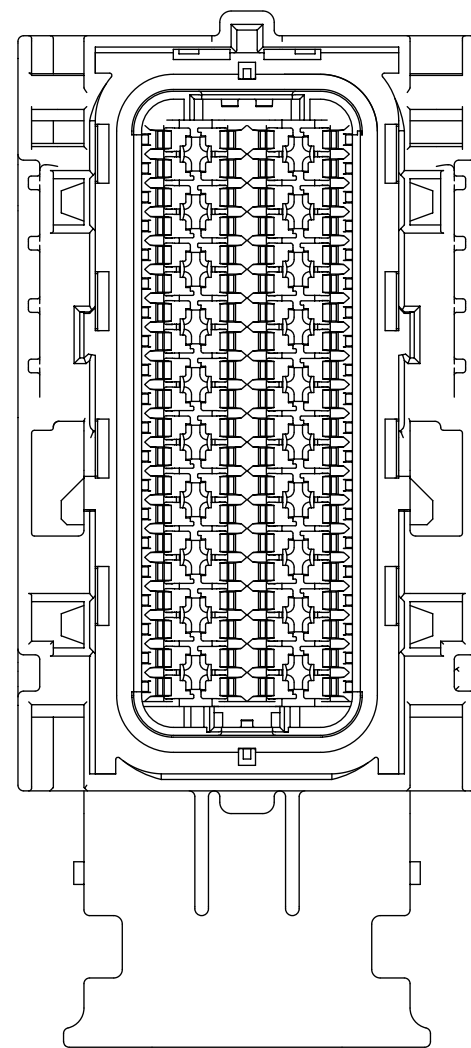
WIRE DRESS OPTION 9



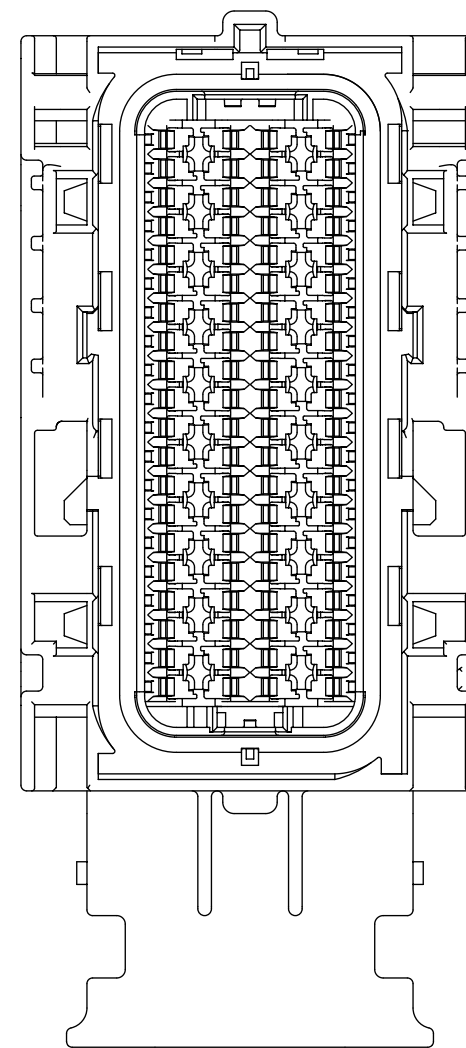
KEY G



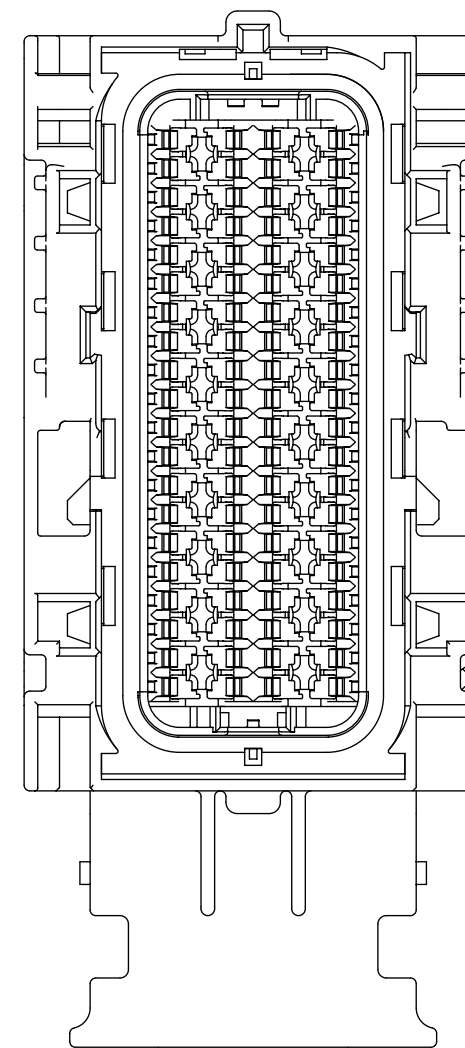
KEY H



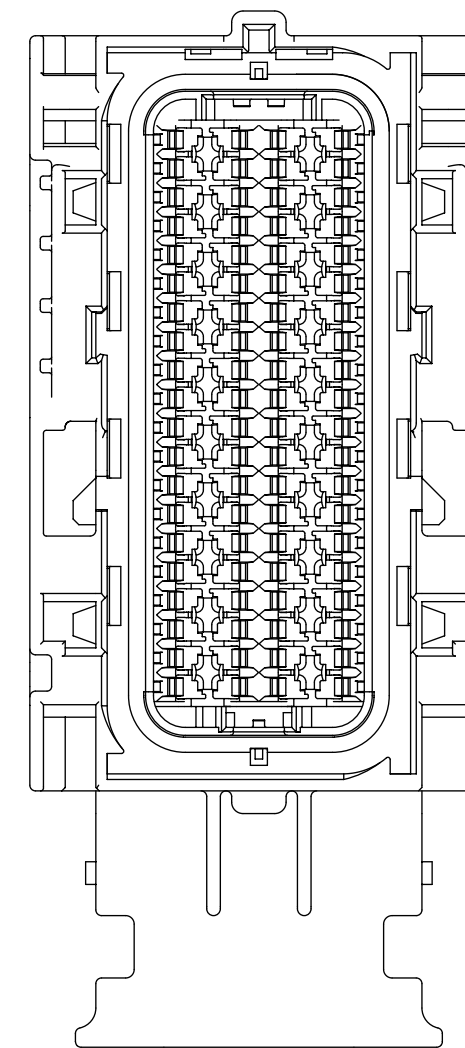
KEY J



KEY K

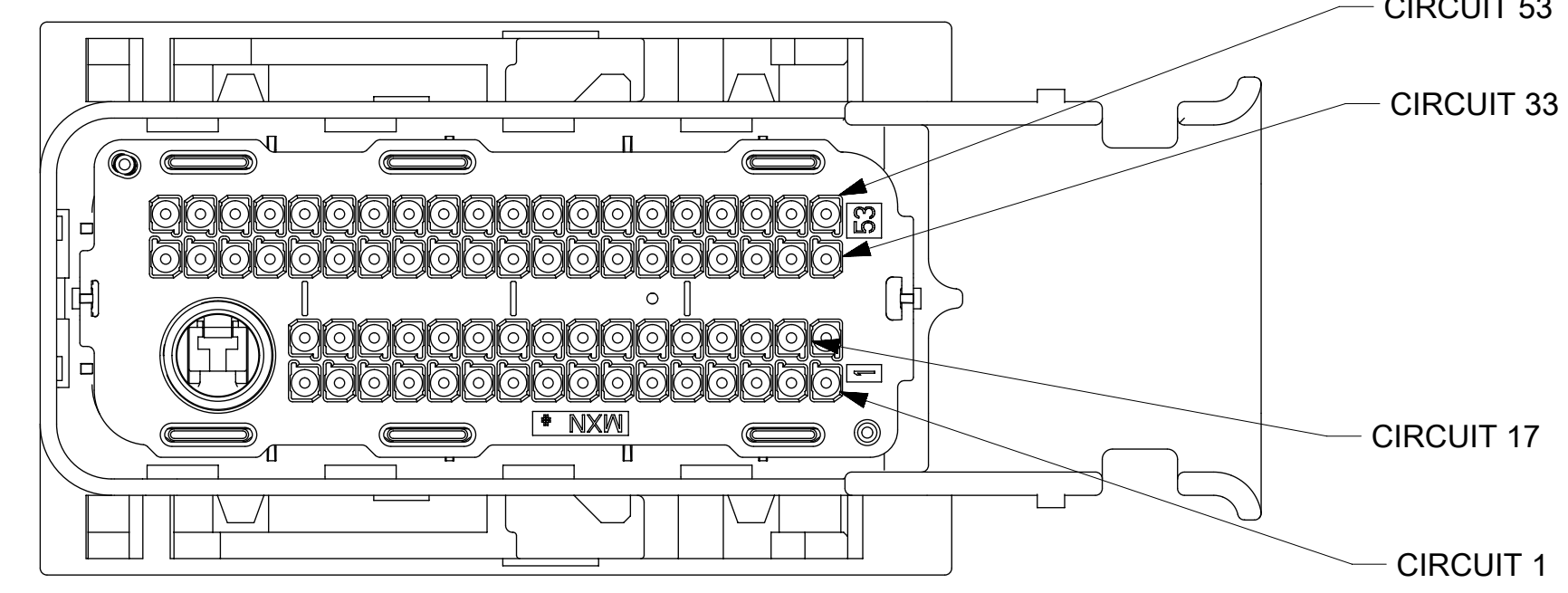


KEY L

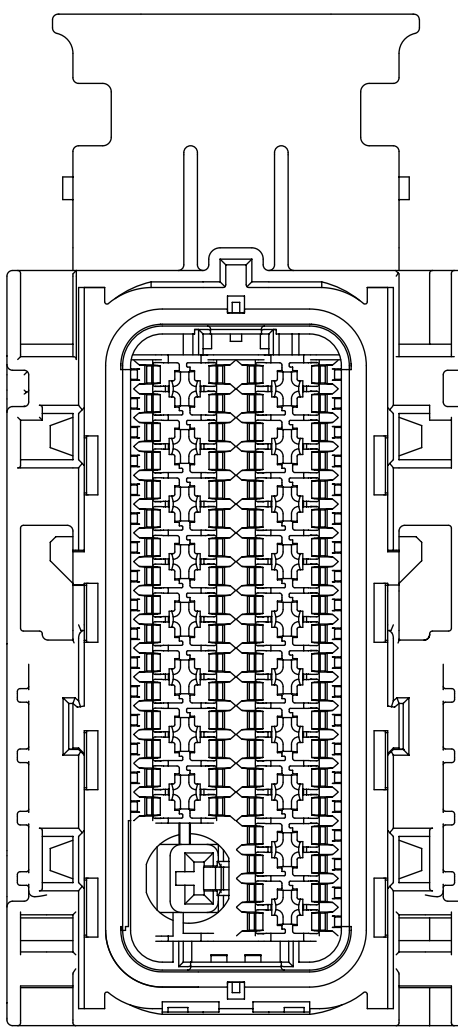


KEY M

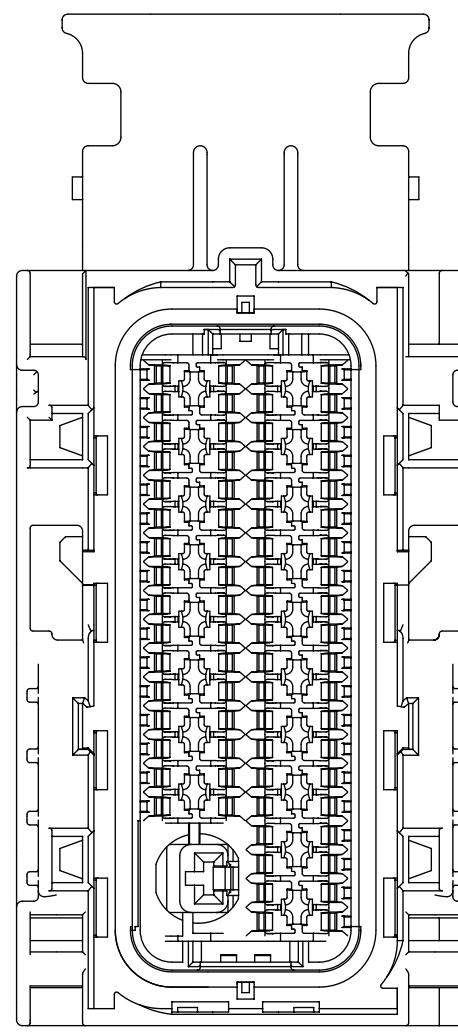
SYMBOLS = 0 = 0 = 0 = 0 = 0 = 0 = 0	THIS DRAWING CONTAINS INFORMATION THAT IS PROPRIETARY TO MOLEX ELECTRONIC TECHNOLOGIES, LLC AND SHOULD NOT BE USED WITHOUT WRITTEN PERMISSION		CURRENT REV DESC: EC NO: 605052 DRWN: HKLIANG 2018/09/27 CHK'D: JDENG02 2018/10/10 APPR: JDENG02 2018/10/10		 MX123 66/73/80CKT HRNS CONN ASSY PRODUCT CUSTOMER DRAWING
	DIMENSION UNITS: MM SCALE: GENERAL TOLERANCES (UNLESS SPECIFIED): ANGULAR TOL: ± ° 4 PLACES: ± 3 PLACES: ± 2 PLACES: ± 1 PLACE: ± 0 PLACES: ±	INITIAL REVISION: DRWN: TYE 2016/05/06 APPR: SKRAJENDRANA 2016/08/22		DOCUMENT NUMBER: SD-34566-001 DOC TYPE: PSD DOC PART: 000 REVISION: G63	
DRAFT WHERE APPLICABLE MUST REMAIN WITHIN DIMENSIONS	THIRD ANGLE PROJECTION	DRAWING: D-SIZE	SERIES: 34566	MATERIAL NUMBER: SEE TABLE CUSTOMER: GENERAL MARKET	SHEET NUMBER: 2 OF 8



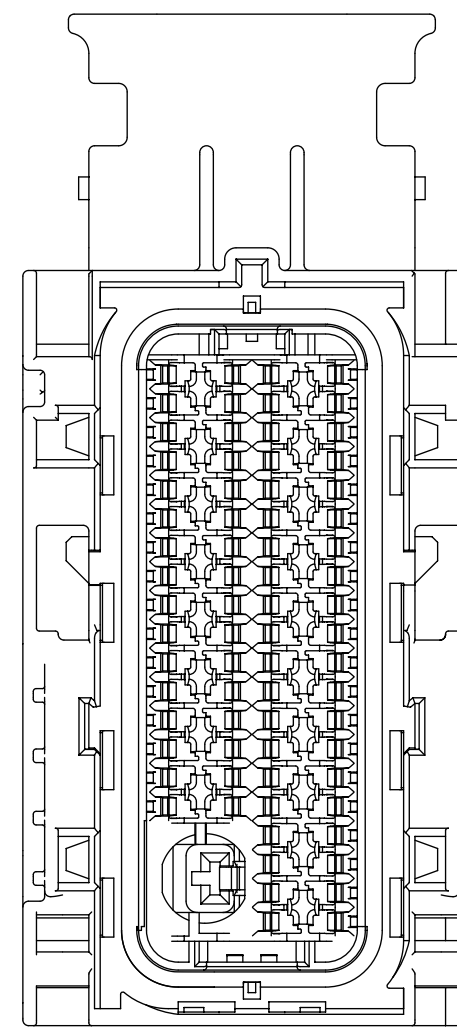
HOUSING ONLY, SHOWN FOR CLARITY



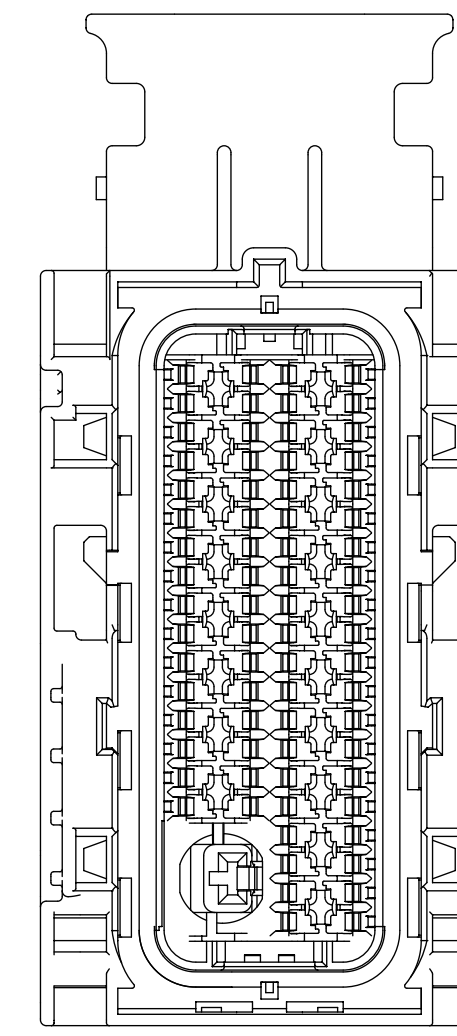
KEY A



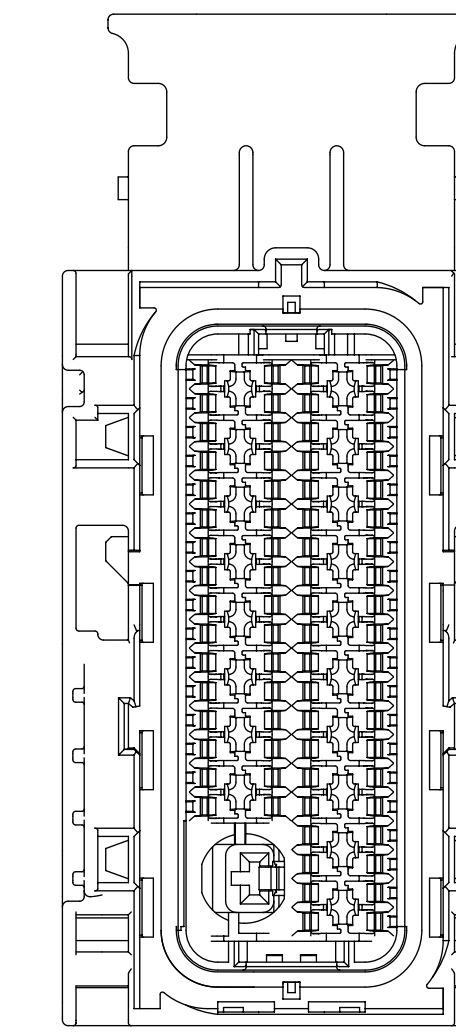
KEY B



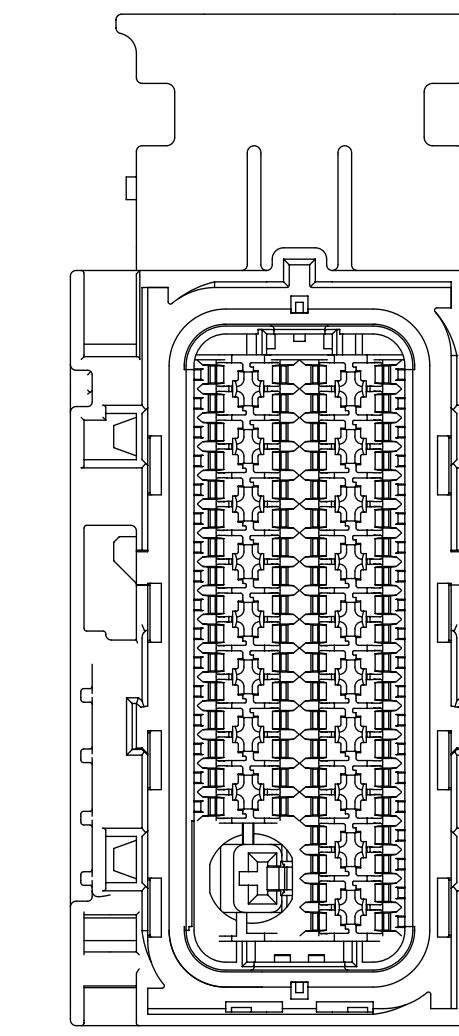
KEY C



KEY D



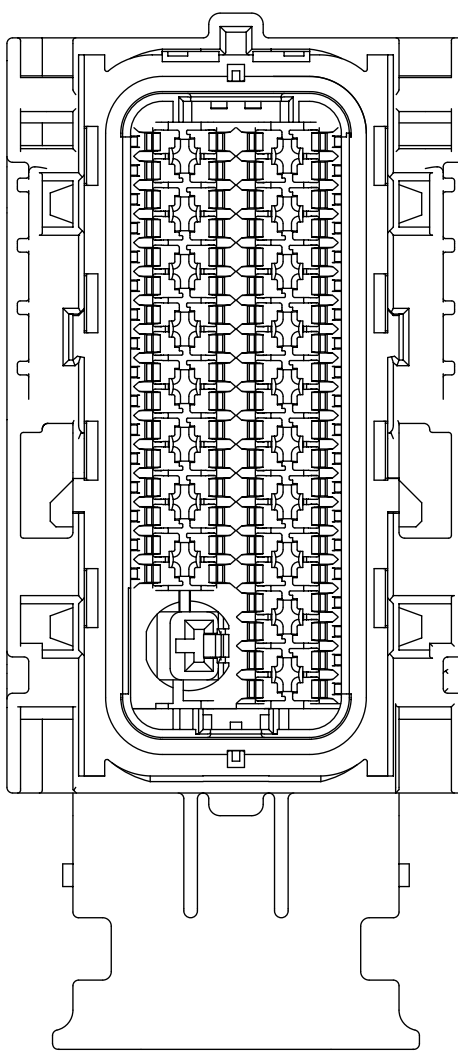
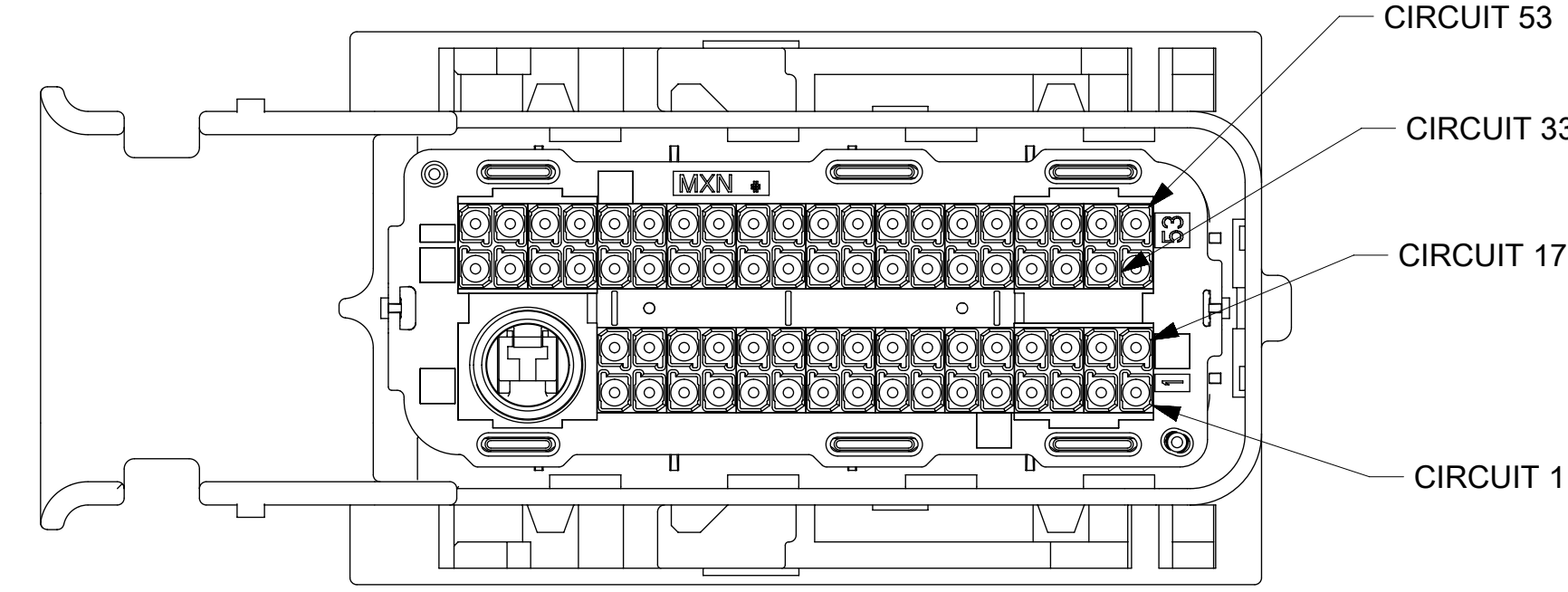
KEY E



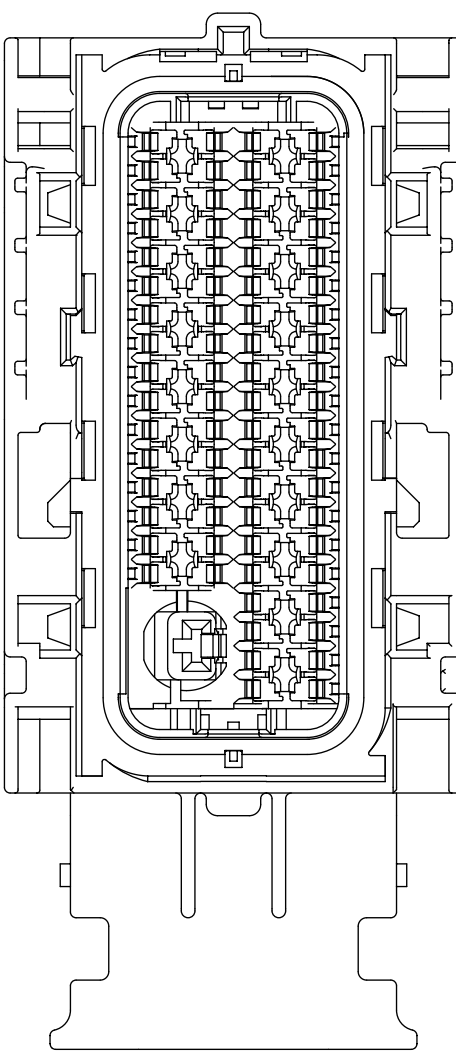
KEY F

73 CKT

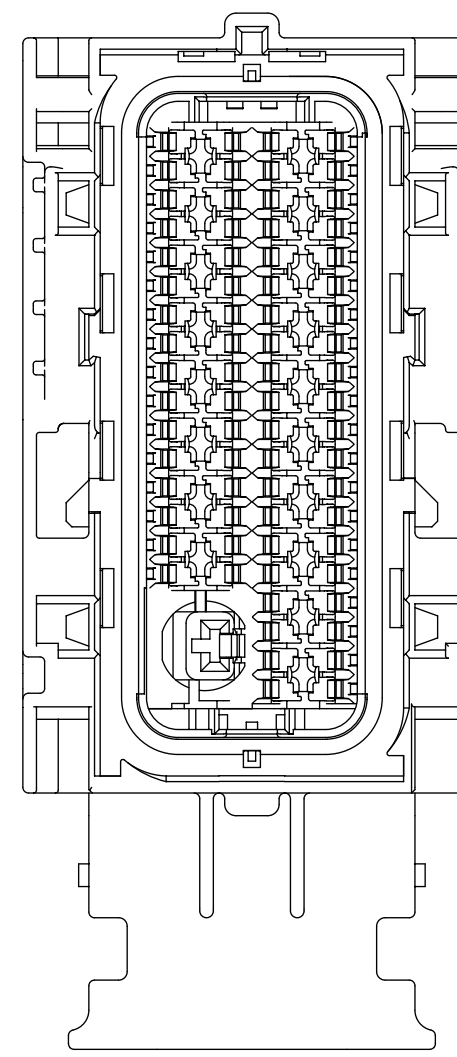
WIRE DRESS OPTION 0



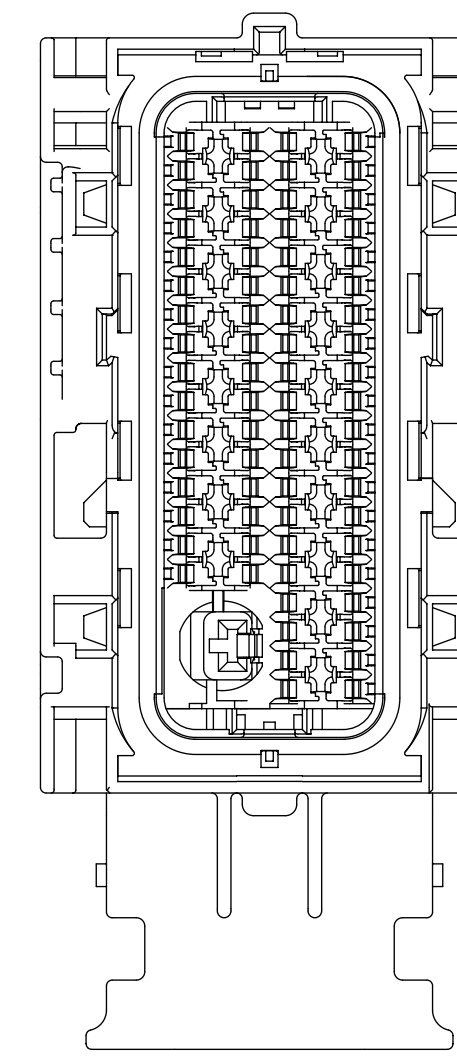
KEY A



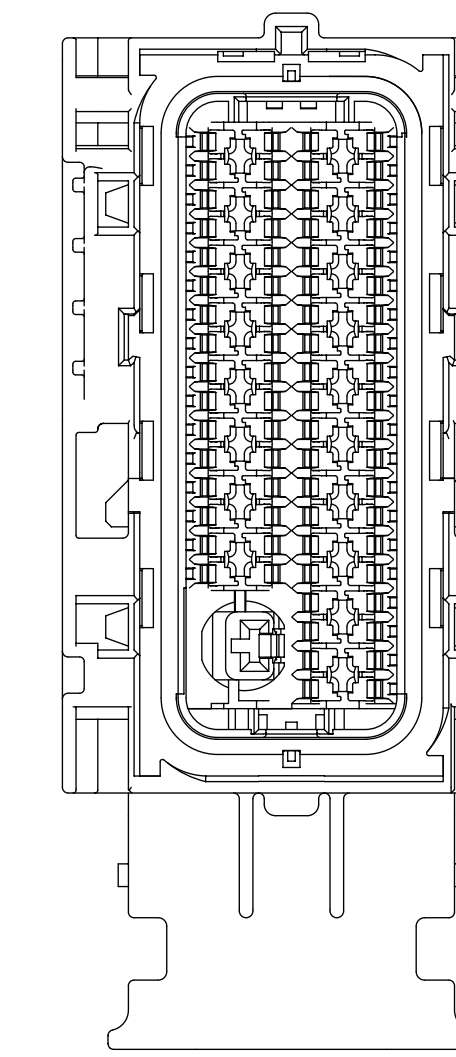
KEY B



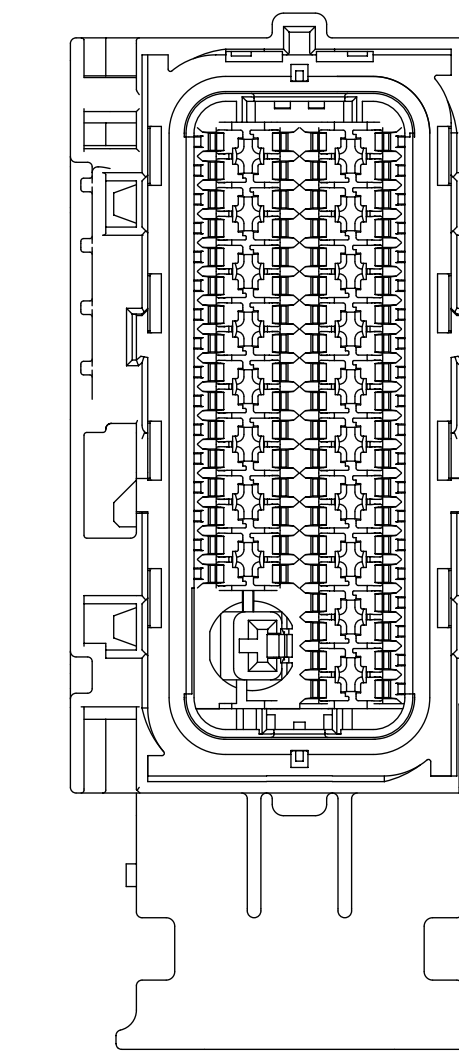
KEY C



KEY D



KEY E



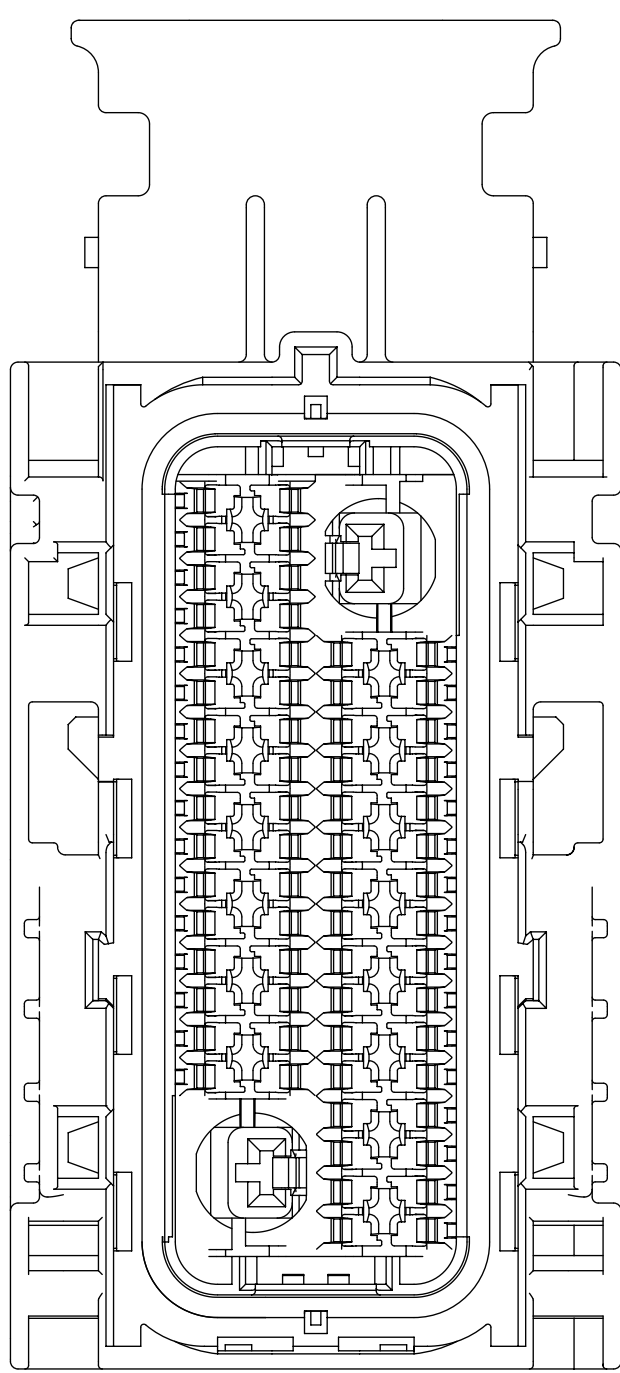
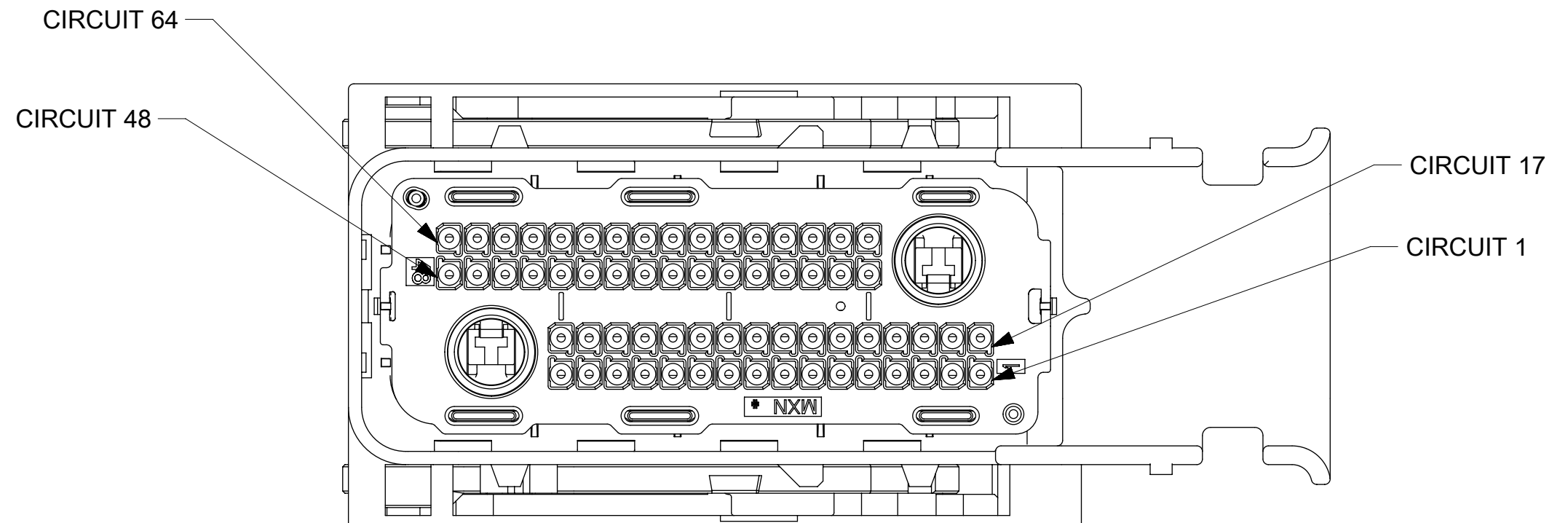
KEY F

WIRE DRESS OPTION 9

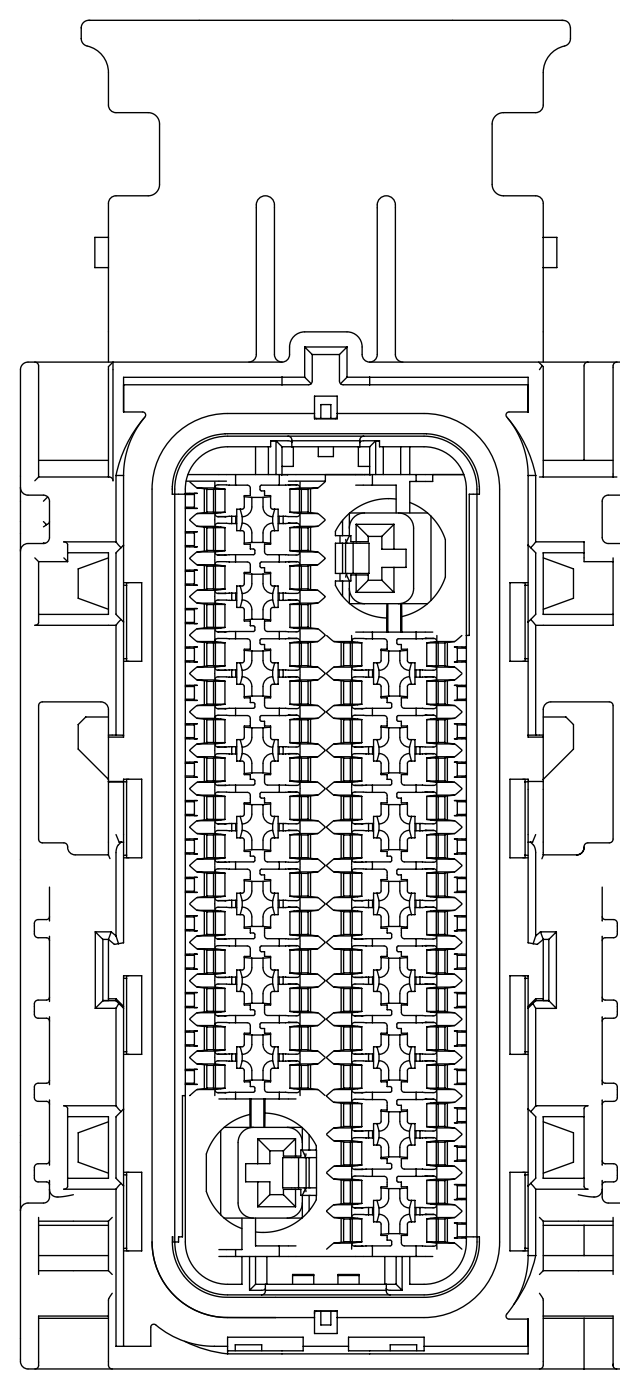
SYMBOLS = 0 = 0 = 0 = 0 = 0 = 0 = 0 = 0 = 0 = 0 = 0 = 0	THIS DRAWING CONTAINS INFORMATION THAT IS PROPRIETARY TO MOLEX ELECTRONIC TECHNOLOGIES, LLC AND SHOULD NOT BE USED WITHOUT WRITTEN PERMISSION		CURRENT REV DESC: EC NO: 605052 DRWN: HKLIANG 2018/09/27 CHK'D: JDENG02 2018/10/10 APPR: JDENG02 2018/10/10		 MX123 66/73/80CKT HRNS CONN ASSY				
	GENERAL TOLERANCES (UNLESS SPECIFIED) ANGULAR TOL ± ° 4 PLACES ± 3 PLACES ± 2 PLACES ± 1 PLACE ± 0 PLACES ±		INITIAL REVISION: DRWN: TYE 2016/05/06 APPR: SKRAJENDRANA 2016/08/22					DOCUMENT NUMBER SD-34566-001	DOC TYPE PSD
	DRAFT WHERE APPLICABLE MUST REMAIN WITHIN DIMENSIONS		THIRD ANGLE PROJECTION 		DRAWING SERIES D-SIZE 34566		MATERIAL NUMBER SEE TABLE	CUSTOMER GENERAL MARKET	SHEET NUMBER 3 OF 8
	DOCUMENT STATUS P1		RELEASE DATE 2018/10/10 03:26:09						

HOUSING ONLY, SHOWN FOR CLARITY

66 CKT
WIRE DRESS OPTION 0

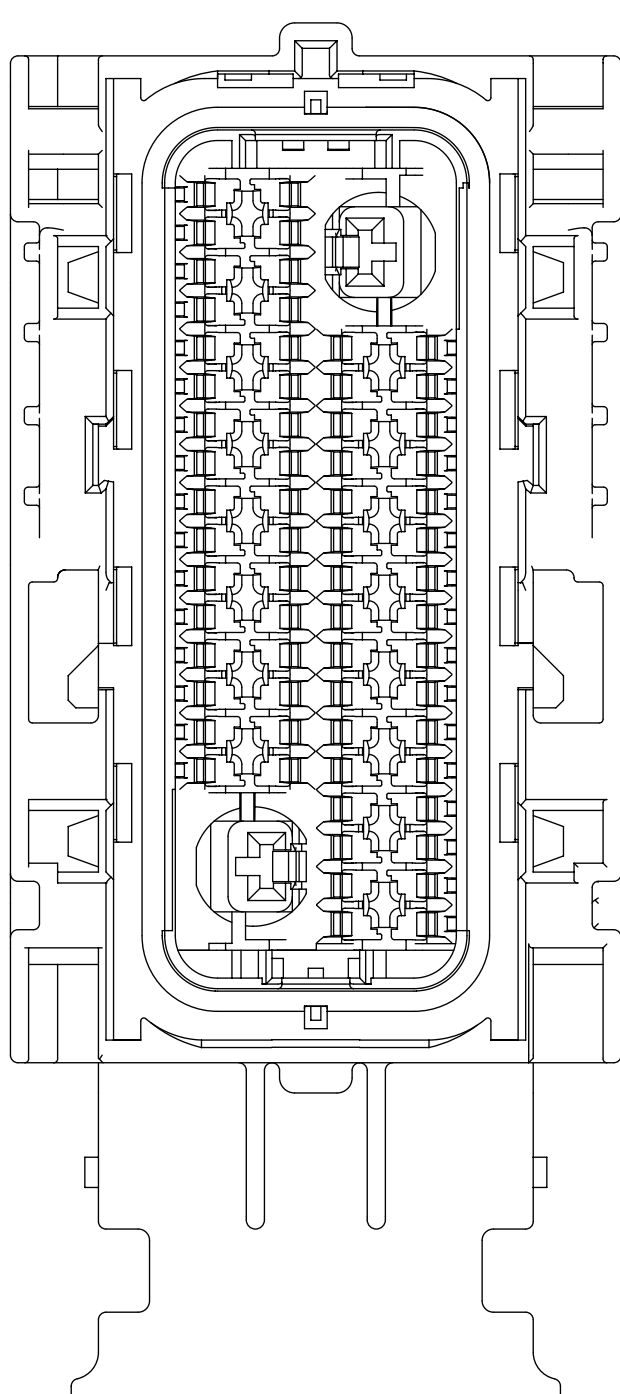
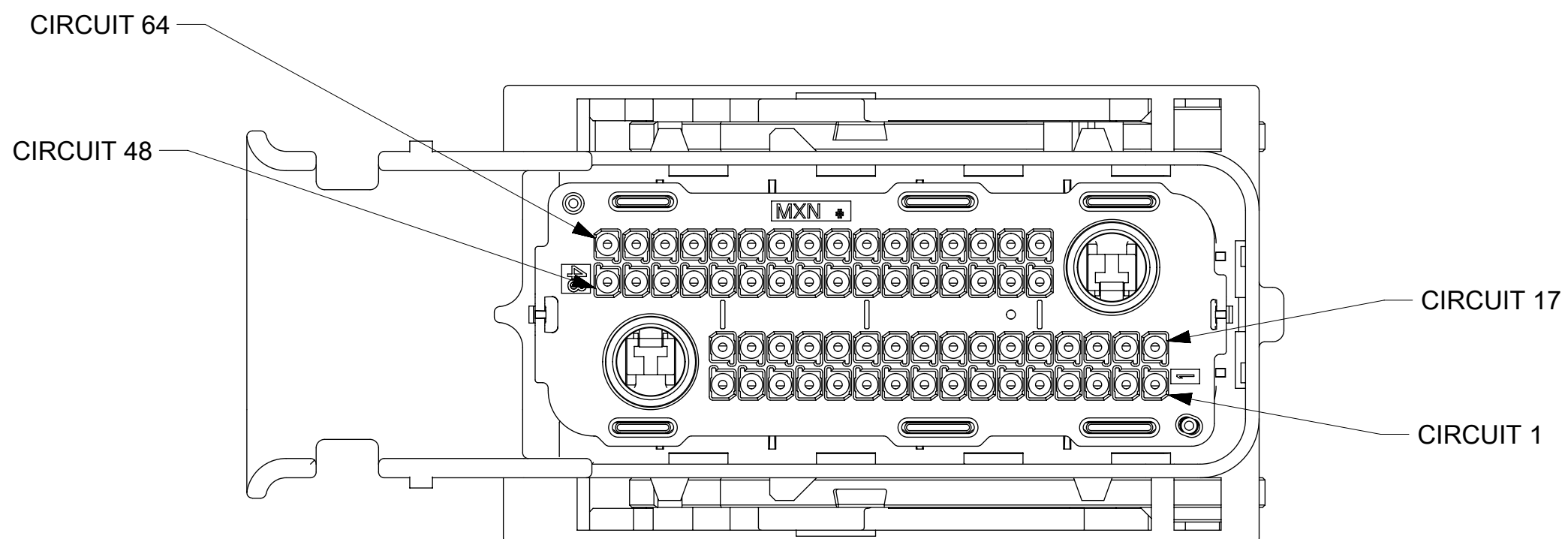


KEY A

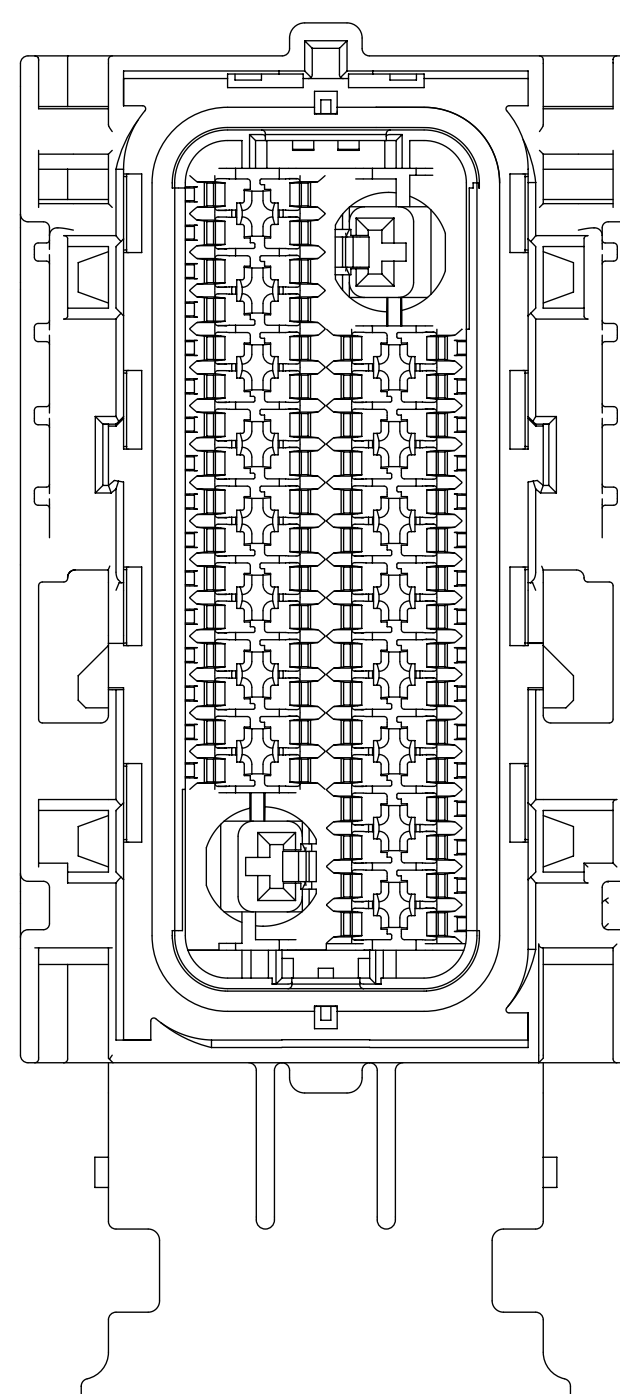


KEY C

WIRE DRESS OPTION 9



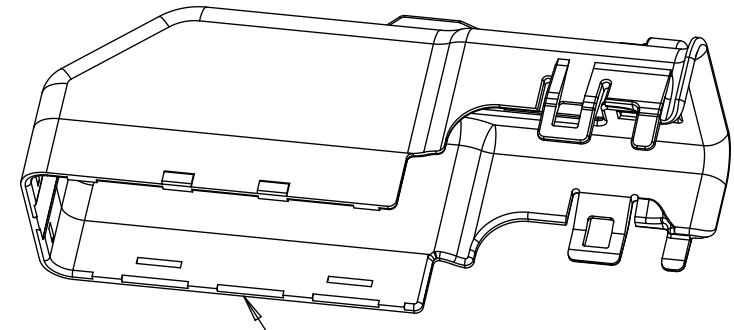
KEY A



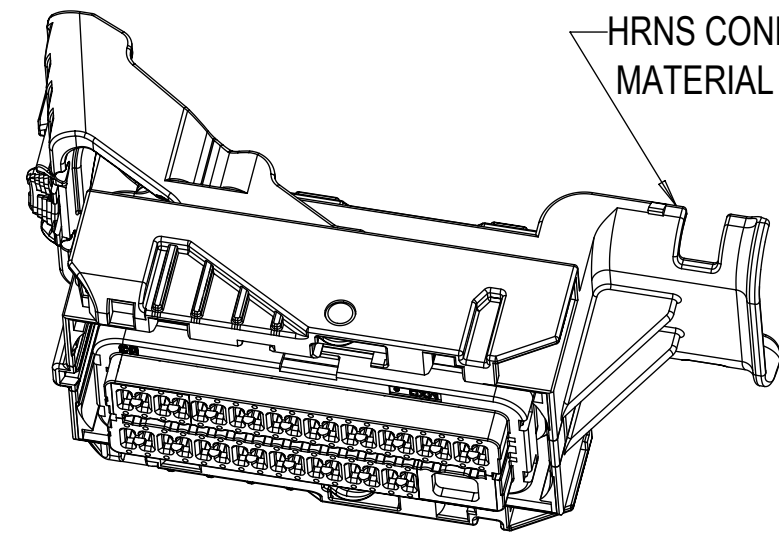
KEY C

SYMBOLS = 0	THIS DRAWING CONTAINS INFORMATION THAT IS PROPRIETARY TO MOLEX ELECTRONIC TECHNOLOGIES, LLC AND SHOULD NOT BE USED WITHOUT WRITTEN PERMISSION		DIMENSION UNITS MM		SCALE 2:1		CURRENT REV DESC:									
	GENERAL TOLERANCES (UNLESS SPECIFIED)		ANGULAR TOL ± °		EC NO: 605052 DRWN: HKLIANG 2018/09/27 CHK'D: JDENG02 2018/10/10 APPR: JDENG02 2018/10/10		MX123 66/73/80CKT HRNS CONN ASSY									
	4 PLACES ±		3 PLACES ±		INITIAL REVISION: DRWN: TYE 2016/05/06 APPR: SKRAJENDRANA 2016/08/22		PRODUCT CUSTOMER DRAWING		DOCUMENT NUMBER SD-34566-001		DOC TYPE PSD		DOC PART 000		REVISION G63	
	2 PLACES ±		1 PLACE ±		DRAFT WHERE APPLICABLE MUST REMAIN WITHIN DIMENSIONS		THIRD ANGLE PROJECTION 		DRAWING SERIES D-SIZE 34566		MATERIAL NUMBER SEE TABLE		CUSTOMER GENERAL MARKET		SHEET NUMBER 4 OF 8	

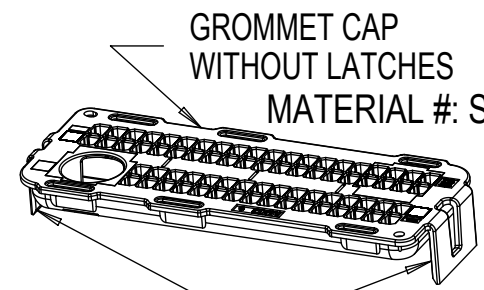
**HRNS ASSY
COMPONENT LIST**



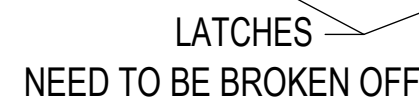
DRESS COVER
MATERIAL #: SEE HRNS ASSY TABLE



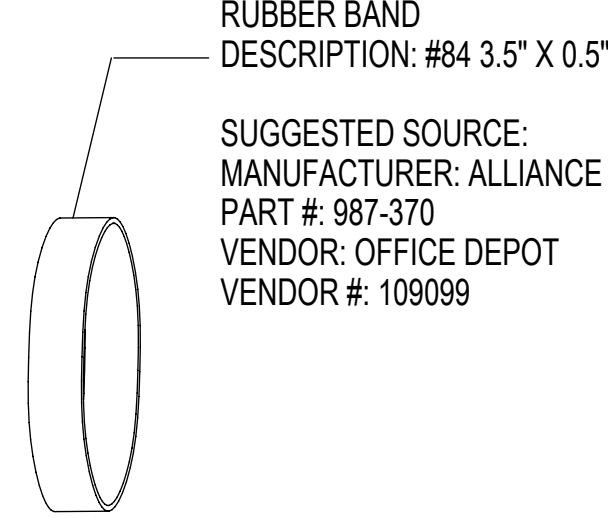
HRNS CONN. ASSY
MATERIAL #: SEE HRNS ASSY TABLE



GROMMET CAP
WITHOUT LATCHES
MATERIAL #: SEE HRNS ASSY TABLE

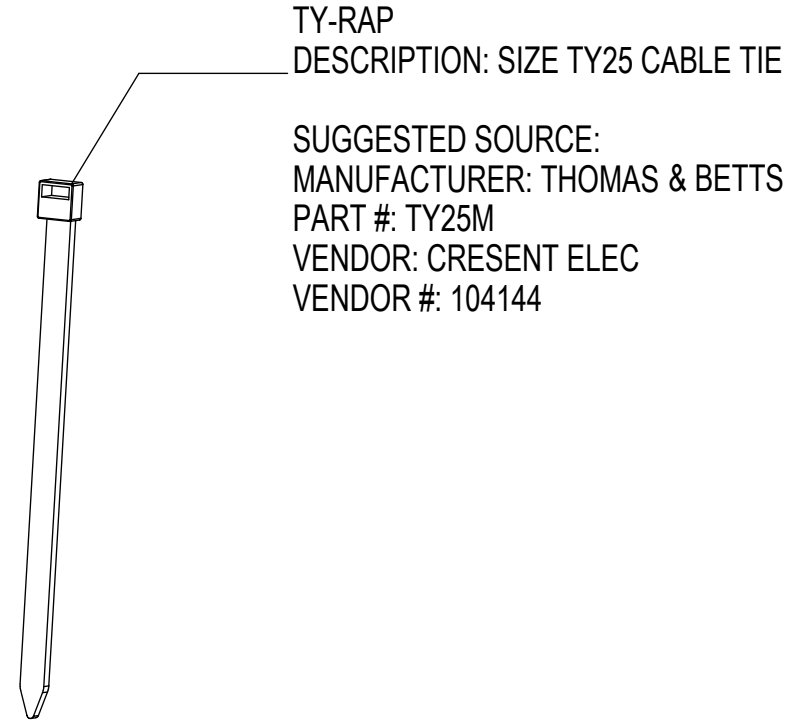


LATCHES
NEED TO BE BROKEN OFF



RUBBER BAND
DESCRIPTION: #84 3.5" X 0.5"

SUGGESTED SOURCE:
MANUFACTURER: ALLIANCE
PART #: 987-370
VENDOR: OFFICE DEPOT
VENDOR #: 109099



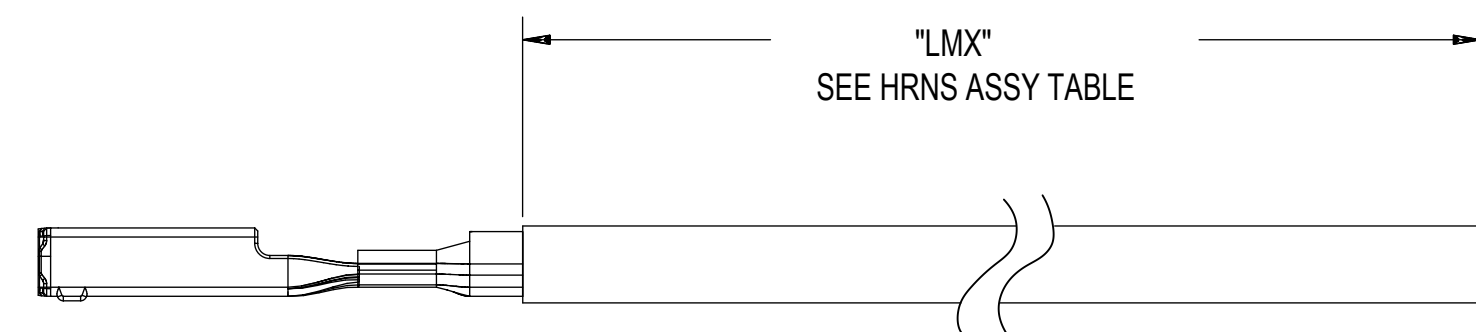
TY-RAP
DESCRIPTION: SIZE TY25 CABLE TIE

SUGGESTED SOURCE:
MANUFACTURER: THOMAS & BETTS
PART #: TY25M
VENDOR: CRESENT ELEC
VENDOR #: 104144

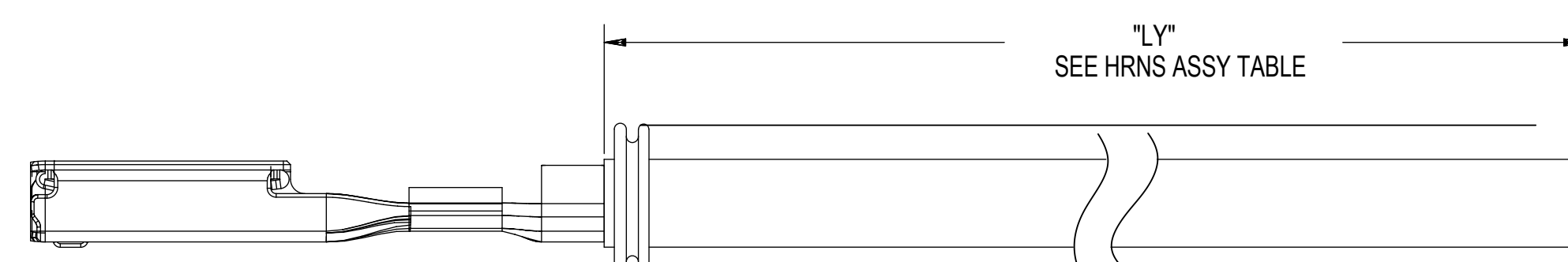
HRNS ASSY



MX64 WIRE ASSY LOOPED
MATERIAL #: SEE HRNS ASSY TABLE



MX64 WIRE ASSY PIGTAIL
MATERIAL #: SEE HRNS ASSY TABLE



2.8mm YESC SEALED FEMALE PIGTAIL ASSY
MATERIAL #: SEE HRNS ASSY TABLE

AWG WIRE HRNS ASSY TABLE

TESTED	HRNS ASSY				HRNS CONN ASSY MATERIAL #	DRESS COVER MATERIAL #	GROMMET CAP MATERIAL #	MX64 WIRE ASSY PER E-33468-001						2.8mm YESC SEALED FEMALE TERMINAL TIN					TY-RAP QTY	RUBBER BAND QTY		
	MATERIAL #	CIRCUIT ID	KEY OPTION	WIRE DRESS OPTION				MATERIAL #	MATERIAL #	MATERIAL #	MATERIAL #	RCPT PLATING	SAE WIRE SIZE #	WIRE TYPE	PIGTAIL OR LOOPED	"LMX" IN METERS 10%	QTY	MATERIAL #			SAE WIRE SIZE #	WIRE TYPE
NO	34070-9234	80	H	0	34566-0803	34565-0003	34571-0301	334670203	Ag	18	TXL	PGTL	3	80	N/A	N/A	N/A	N/A	N/A	N/A	6	0
NO	34070-9934	73	A	0	34566-0103	34565-0003	34571-0101	334670203	Ag	18	TXL	PGTL	3	72	343670005	14	TXL	PGTL	3	1	6	0
NO	34070-9834	73	B	0	34566-0203	34565-0003	34571-0101	334670203	Ag	18	TXL	PGTL	3	72	343670005	14	TXL	PGTL	3	1	6	0
(H30) NO	34330-9214	80	H	0	34566-0803	34565-0003	N/A	334670204	Ag	18	TXL	LPD	1	40	N/A	N/A	N/A	N/A	N/A	N/A	3	1
NO	34330-9914	73	A	0	34566-0103	34565-0003	N/A	334670204	Ag	18	TXL	LPD	1	36	343670005	14	TXL	LPD	3	1	3	1
(H30) NO	34330-9814	73	B	0	34566-0203	34565-0003	N/A	334670204	Ag	18	TXL	LPD	1	36	343670005	14	TXL	LPD	3	1	3	1
NO	34333-9214	80	H	0	34566-0803	34565-0003	34571-0301	334670205	Ag	18	PTFE	PGTL	1	40	N/A	N/A	N/A	N/A	N/A	N/A	3	0
NO	34333-9914	73	A	0	34566-0103	34565-0003	34571-0101	334670205	Ag	18	PTFE	PGTL	1	72	N/A	14	PTFE	PGTL	1	1	3	0
NO	34333-9814	73	B	0	34566-0203	34565-0003	34571-0101	334670205	Ag	18	PTFE	PGTL	1	72	N/A	14	PTFE	PGTL	1	1	3	0
NO	34333-9234	80	H	0	34566-0803	34565-0003	34570-0301	334670206	Ag	18	PTFE	PGTL	3	80	N/A	N/A	N/A	N/A	N/A	N/A	6	0
NO	34333-9934	73	A	0	34566-0103	34565-0003	34571-0101	334670206	Ag	18	PTFE	PGTL	3	72	343670006	14	PTFE	PGTL	3	1	6	0
NO	34333-9834	73	B	0	34566-0203	34565-0003	34571-0101	334670206	Ag	18	PTFE	PGTL	3	72	343670006	14	PTFE	PGTL	3	1	6	0
NO	34070-8734	66	A	0	34822-0013	34565-0003	34822-5011	334670203	Ag	18	TXL	PGTL	3	64	343670005	14	TXL	PGTL	3	2	3	0
NO	34070-8754	66	A	0	34822-0013	34565-0003	34822-5011	334670203	Ag	18	TXL	PGTL	5	64	343670007	14	TXL	PGTL	5	2	10	0
NO	34070-9434	73	F	0	34070-0603	34565-0003	34571-0101	334670203	Ag	18	TXL	PGTL	3	72	343670005	14	TXL	PGTL	3	1	6	0
NO	34070-9434	73	F	9	34070-1803	34565-0003	34571-0501	334670203	Ag	18	TXL	PGTL	3	72	343670005	14	TXL	PGTL	3	1	6	0
NO	34070-8534	66	C	0	34822-0033	34565-0003	34571-5011	334670203	Ag	18	TXL	PGTL	3	64	343670005	14	TXL	PGTL	3	2	3	0
NO	34070-8704	66	A	0	34822-0013	34822-0033	34822-5031	N/A	N/A	N/A	N/A	N/A	N/A	N/A	343670005	14	TXL	PGTL	3	2	N/A	N/A
NO	34070-8504	66	C	0	34822-0033	34822-0033	34822-5031	N/A	N/A	N/A	N/A	N/A	N/A	N/A	343670005	14	TXL	PGTL	3	2	N/A	N/A
NO	34330-8734	66	A	0	34822-0013 (QTY2)	34565-0003	N/A	334670208	Ag	18	TXL	LPD	3	64	343670008	14	TXL	LPD	3	2	3	N/A

PRODUCTION PART # FOR HARNESS ASSEMBLY (WITH WIRES) XXXXX-KKWP

XXXXX- SERIES NUMBER			
SERIES #	CKT SIZE	WIRE TYPE	WIRE DRESS
34070	73/80/66	TXL	PGTL
34330	73/80/66	TXL	LPD
34333	73/80/66	PTFE	PGTL

KK- HARNESS CONNECTOR KEY	
#	73/80 KEY
99	A
98	B
97	C
96	D
95	E
94	F
93	G
92	H
91	J
90	K
89	L
88	M
#	66 KEY
87	A
86	B
85	C

W- MX64 CRIMPED LEAD WIRE LENGTH (m)

P- MX64 RECPT. TERMINAL PLATING
3 - Au
4 - Ag

NOTES: UNLESS OTHERWISE SPECIFIED APPLIES TO "HRNS ASSY" ONLY
1. REFER TO: PACKAGING DRAWING # PK-31300-078
2. FOR HRNS ASSY WITH WIRE ASSY SEE NEXT PAGE

SYMBOLS	THIS DRAWING CONTAINS INFORMATION THAT IS PROPRIETARY TO MOLEX ELECTRONIC TECHNOLOGIES, LLC AND SHOULD NOT BE USED WITHOUT WRITTEN PERMISSION	CURRENT REV DESC:		molex
	DIMENSION UNITS	SCALE		
▽ = 0	MM			
▽ = 0	GENERAL TOLERANCES (UNLESS SPECIFIED)			
▽ = 0	ANGULAR TOL	±	°	
▽ = 0	4 PLACES	±		
▽ = 0	3 PLACES	±		
▽ = 0	2 PLACES	±		
▽ = 0	1 PLACE	±		
▽ = 0	0 PLACES	±		
☒ = 0	DRAFT WHERE APPLICABLE MUST REMAIN WITHIN DIMENSIONS		THIRD ANGLE PROJECTION	
▽ = 0			D-SIZE	
			SERIES	
			34566	
			MATERIAL NUMBER	
			SEE TABLE	
			CUSTOMER	
			GENERAL MARKET	
			SHEET NUMBER	
			5 OF 8	

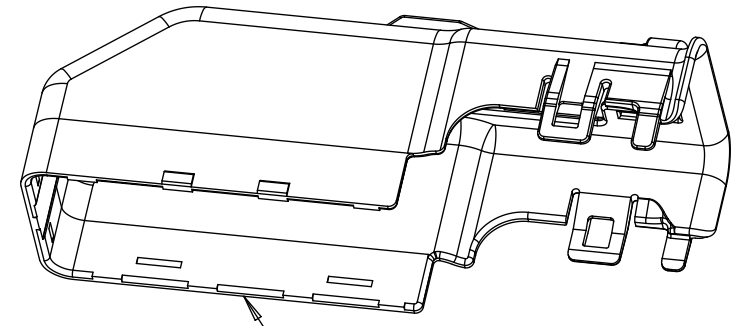
MX123 66/73/80CKT HRNS CONN ASSY			
PRODUCT CUSTOMER DRAWING			
DOCUMENT NUMBER	DOC TYPE	DOC PART	REVISION
SD-34566-001	PSD	000	G63

AWG WIRE HRNS ASSY TABLE

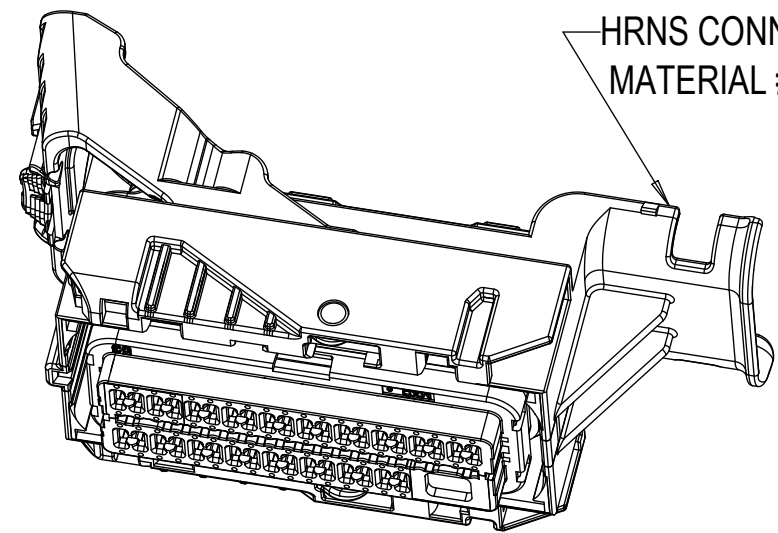
TESTED	HRNS ASSY				HRNS CONN ASSY MATERIAL #	DRESS COVER MATERIAL #	GROMMET CAP MATERIAL #	MX64 WIRE ASSY PER E-33468-001						2.8mm YESC SEALED FEMALE TERMINAL TIN						TY-RAP QTY	RUBBER BAND QTY	
	MATERIAL #	CIRCUIT ID	KEY OPTION	WIRE DRESS OPTION				MATERIAL #	MATERIAL #	MATERIAL #	MATERIAL #	RCPT PLATING	SAE WIRE SIZE #	WIRE TYPE	PIGTAIL OR LOOPED	"LMX" IN METERS 10%	QTY	MATERIAL #	SAE WIRE SIZE #			WIRE TYPE
NO	34070-9933	73	A	0	34566-0103	34565-0003	34571-0101	334670103	Au	18	TXL	PGTL	3	72	343670005	14	TXL	PGTL	3	1	6	0
NO	34070-9833	73	B	0	34566-0203	34565-0003	34571-0101	334670103	Au	18	TXL	PGTL	3	72	343670005	14	TXL	PGTL	3	1	6	0
NO	34070-9913	73	A	0	34566-0103	34565-0003	34571-0101	334670102	Au	18	TXL	PGTL	1	72	343670005	14	TXL	PGTL	3	1	3	0
NO	34070-9813	73	B	0	34566-0203	34565-0003	34571-0101	334670102	Au	18	TXL	PGTL	1	72	343670005	14	TXL	PGTL	3	1	3	0
NO	34333-9913	73	A	0	34566-0103	34565-0003	34571-0101	334670105	Au	18	PTFE	PGTL	1	72	N/A	14	PTFE	PGTL	1	1	3	0
NO	34333-9813	73	B	0	34566-0203	34565-0003	34571-0101	334670105	Au	18	PTFE	PGTL	1	72	N/A	14	PTFE	PGTL	1	1	3	0
NO	34333-9933	73	A	0	34566-0103	34565-0003	34571-0101	334670106	Au	18	PTFE	PGTL	3	72	343670006	14	PTFE	PGTL	3	1	6	0
NO	34333-9833	73	B	0	34566-0203	34565-0003	34571-0101	334670106	Au	18	PTFE	PGTL	3	72	343670006	14	PTFE	PGTL	3	1	6	0
NO	34070-9233	80	H	0	34566-0803	34565-0003	34571-0301	334670103	Au	18	TXL	PGTL	3	80	N/A	N/A	N/A	N/A	N/A	N/A	6	0
NO	34070-9213	80	H	0	34566-0803	34565-0003	34571-0301	334670102	Au	18	TXL	PGTL	1	80	N/A	N/A	N/A	N/A	N/A	N/A	3	0
NO	34333-9213	80	H	0	34566-0803	34565-0003	34571-0301	334670105	Au	18	PTFE	PGTL	1	80	N/A	N/A	N/A	N/A	N/A	N/A	3	0
NO	34333-9233	80	H	0	34566-0803	34565-0003	34571-0301	334670106	Au	18	PTFE	PGTL	3	80	N/A	N/A	N/A	N/A	N/A	N/A	6	0
YES	34330-9913	73	A	0	34566-0103	34565-0003	N/A	334670104	Au	18	TXL	LPD	1	36	343670005	14	TXL	LPD	3	1	3	1
YES	34330-9813	73	B	0	34566-0203	34565-0003	N/A	334670104	Au	18	TXL	LPD	1	36	343670005	14	TXL	LPD	3	1	3	1
H30 YES	34330-9213	80	H	0	34566-0803	34565-0003	34571-0301	334670104	Au	18	TXL	LPD	1	40	N/A	N/A	N/A	N/A	N/A	N/A	3	1
NO	34070-9733	73	C	0	34566-0303	34565-0003	34571-0101	334670103	Au	18	TXL	PGTL	3	72	343670005	14	TXL	PGTL	3	1	6	0
NO	34070-9713	73	C	0	34566-0303	34565-0003	34571-0101	334670102	Au	18	TXL	PGTL	1	72	343670005	14	TXL	PGTL	3	1	3	0
NO	34330-9713	73	C	0	34566-0303	34565-0003	34571-0101	334670104	Au	18	TXL	LPD	1	36	343670005	14	TXL	LPD	3	1	3	1
NO	34333-9713	73	C	0	34566-0303	34565-0003	34571-0101	334670105	Au	18	PTFE	PGTL	1	72	N/A	14	PTFE	PGTL	1	1	3	0
NO	34333-9733	73	C	0	34566-0303	34565-0003	34571-0101	334670106	Au	18	PTFE	PGTL	3	72	343670006	14	PTFE	PGTL	3	1	6	0
NO	34070-9333	80	G	0	34566-0703	34565-0003	34571-0301	334670103	Au	18	TXL	PGTL	3	80	N/A	N/A	N/A	N/A	N/A	N/A	6	0
NO	34070-9313	80	G	0	34566-0703	34565-0003	34571-0301	334670102	Au	18	TXL	PGTL	1	80	N/A	N/A	N/A	N/A	N/A	N/A	3	0
H30 NO	34330-9313	80	G	0	34566-0703	34565-0003	34571-0301	334670104	Au	18	TXL	LPD	1	40	N/A	N/A	N/A	N/A	N/A	N/A	3	1
NO	34333-9313	80	G	0	34566-0703	34565-0003	34571-0301	334670105	Au	18	PTFE	PGTL	1	80	N/A	N/A	N/A	N/A	N/A	N/A	3	0
NO	34333-9333	80	G	0	34566-0703	34565-0003	34571-0301	334670106	Au	18	PTFE	PGTL	3	80	N/A	N/A	N/A	N/A	N/A	N/A	6	0
NO	34070-9934	73	A	0	34566-0103	34565-0003	34571-0101	334670203	Ag	18	TXL	PGTL	3	72	343670005	14	TXL	PGTL	3	1	6	0
NO	34070-9834	73	B	0	34566-0203	34565-0003	34571-0101	334670203	Ag	18	TXL	PGTL	3	72	343670005	14	TXL	PGTL	3	1	6	0
NO	34070-9914	73	A	0	34566-0103	34565-0003	34571-0101	334670202	Ag	18	TXL	PGTL	1	72	343670005	14	TXL	PGTL	3	1	3	0
NO	34070-9814	73	B	0	34566-0203	34565-0003	34571-0101	334670202	Ag	18	TXL	PGTL	1	72	343670005	14	TXL	PGTL	3	1	3	0
NO	34070-9234	80	H	0	34566-0803	34565-0003	34571-0301	334670203	Ag	18	TXL	PGTL	3	80	N/A	N/A	N/A	N/A	N/A	N/A	6	0
NO	34070-9214	80	H	0	34566-0803	34565-0003	34571-0301	334670202	Ag	18	TXL	PGTL	1	80	N/A	N/A	N/A	N/A	N/A	N/A	3	0
YES	34330-9914	73	A	0	34566-0103	34565-0003	N/A	334670204	Ag	18	TXL	LPD	1	36	343670005	14	TXL	LPD	3	1	3	1
YES	34330-9814	73	B	0	34566-0203	34565-0003	N/A	334670204	Ag	18	TXL	LPD	1	36	343670005	14	TXL	LPD	3	1	3	1
H30 YES	34330-9214	80	H	0	34566-0803	34565-0003	34571-0301	334670204	Ag	18	TXL	LPD	1	40	N/A	N/A	N/A	N/A	N/A	N/A	3	1
NO	34070-9734	73	C	0	34566-0303	34565-0003	34571-0101	334670203	Ag	18	TXL	PGTL	3	72	343670005	14	TXL	PGTL	3	1	6	0
NO	34070-9714	73	C	0	34566-0303	34565-0003	34571-0101	334670202	Ag	18	TXL	PGTL	1	72	343670005	14	TXL	PGTL	3	1	3	0
NO	34330-9714	73	C	0	34566-0303	34565-0003	N/A	334670204	Ag	18	TXL	LPD	1	36	343670005	14	TXL	LPD	3	1	3	1
NO	34070-9334	80	G	0	34566-0703	34565-0003	34571-0301	334670203	Ag	18	TXL	PGTL	3	80	N/A	N/A	N/A	N/A	N/A	N/A	6	0
NO	34070-9314	80	G	0	34566-0703	34565-0003	34571-0301	334670202	Ag	18	TXL	PGTL	1	80	N/A	N/A	N/A	N/A	N/A	N/A	3	0
H30 NO	34330-9314	80	G	0	34566-0703	34565-0003	N/A	334670204	Ag	18	TXL	LPD	1	40	N/A	N/A	N/A	N/A	N/A	N/A	3	1
NO	34070-9414	73	F	0	34566-0603	34565-0003	34571-0101	334670204	Ag	18	TXL	PGTL	1	72	343670001	14	TXL	PGTL	1	1	3	0
NO	34070-9434	73	F	0	34566-0603	34565-0003	34571-0101	334670204	Ag	18	TXL	PGTL	3	72	343670005	14	TXL	PGTL	3	1	6	0
NO	34333-9734	73	C	0	34566-0303	34565-0003	34571-0101	334670206	Ag	18	PTFE	PGTL	3	72	343670006	14	PTFE	PGTL	3	1	6	0

SYMBOLS ▽ = 0 ▽ = 0 ▽ = 0 ▽ = 0 ▽ = 0 ▽ = 0 ▽ = 0 ▽ = 0 ▽ = 0 ▽ = 0	THIS DRAWING CONTAINS INFORMATION THAT IS PROPRIETARY TO MOLEX ELECTRONIC TECHNOLOGIES, LLC AND SHOULD NOT BE USED WITHOUT WRITTEN PERMISSION DIMENSION UNITS: MM SCALE: CURRENT REV DESC: EC NO: 605052 DRWN: HKLIANG 2018/09/27 CHK'D: JDENG02 2018/10/10 APPR: JDENG02 2018/10/10 INITIAL REVISION: DRWN: TYE 2016/05/06 APPR: SKRAJENDRANA 2016/08/22 DRAFT WHERE APPLICABLE MUST REMAIN WITHIN DIMENSIONS THIRD ANGLE PROJECTION DRAWING SERIES: D-SIZE 34566	 MX123 66/73/80CKT HRNS CONN ASSY PRODUCT CUSTOMER DRAWING DOCUMENT NUMBER: SD-34566-001 DOC TYPE: PSD DOC PART: 000 REVISION: G63 MATERIAL NUMBER: SEE TABLE CUSTOMER: GENERAL MARKET SHEET NUMBER: 6 OF 8
--	---	---

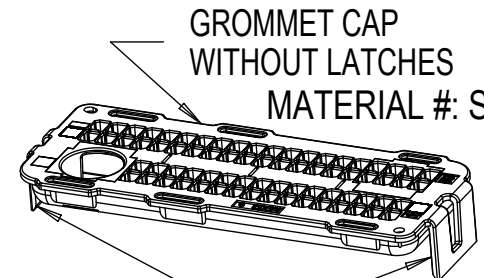
HRNS ASSY COMPONENT LIST



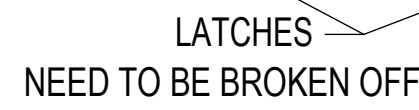
DRESS COVER
MATERIAL #: SEE HRNS ASSY TABLE



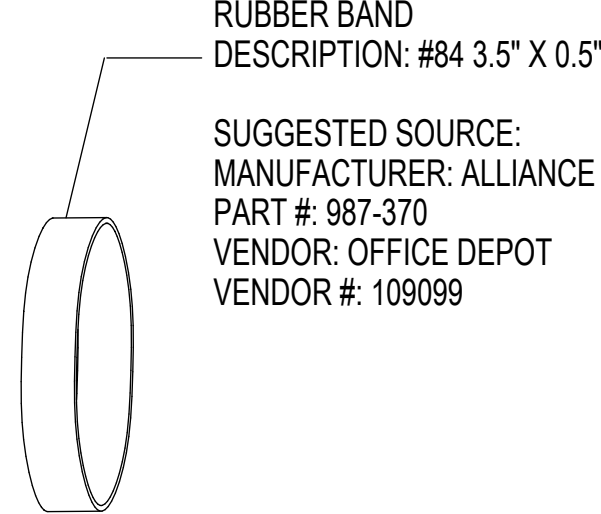
HRNS CONN. ASSY
MATERIAL #: SEE HRNS ASSY TABLE



GROMMET CAP WITHOUT LATCHES
MATERIAL #: SEE HRNS ASSY TABLE

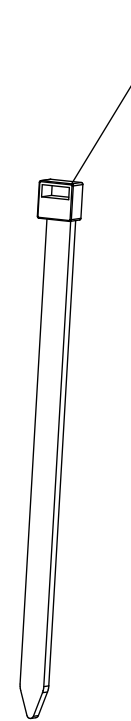


LATCHES
NEED TO BE BROKEN OFF



RUBBER BAND
DESCRIPTION: #84 3.5" X 0.5"

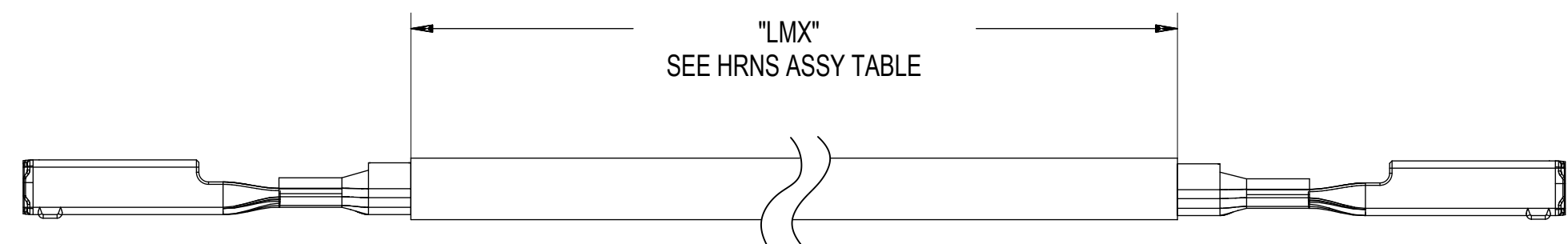
SUGGESTED SOURCE:
MANUFACTURER: ALLIANCE
PART #: 987-370
VENDOR: OFFICE DEPOT
VENDOR #: 109099



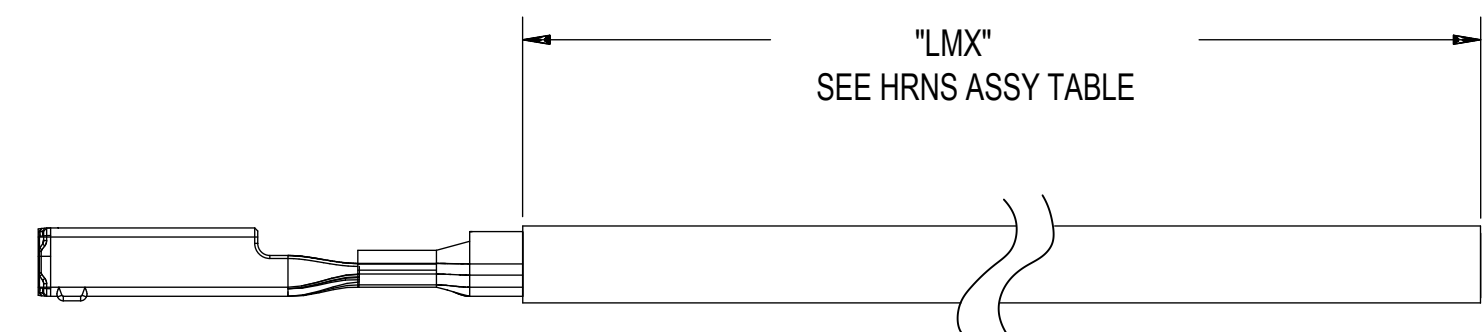
TY-RAP
DESCRIPTION: SIZE TY25 CABLE TIE

SUGGESTED SOURCE:
MANUFACTURER: THOMAS & BETTS
PART #: TY25M
VENDOR: CRESENT ELEC
VENDOR #: 104144

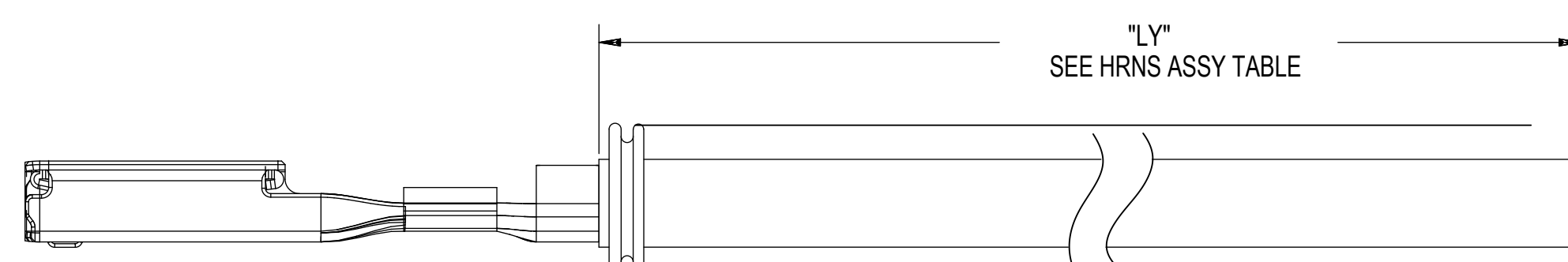
HRNS ASSY



MX64 WIRE ASSY LOOPED
MATERIAL #: SEE HRNS ASSY TABLE



MX64 WIRE ASSY PIGTAIL
MATERIAL #: SEE HRNS ASSY TABLE



2.8mm YESC SEALED FEMALE PIGTAIL ASSY
MATERIAL #: SEE HRNS ASSY TABLE

ISO WIRE HRNS ASSY TABLE

TESTED	HRNS ASSY				HRNS CONN ASSY MATERIAL #	DRESS COVER MATERIAL #	GROMMET CAP MATERIAL #	MX64 WIRE ASSY PER E-33468-001						2.8mm YESC SEALED FEMALE TERMINAL TIN					TY-RAP QTY	RUBBER BAND QTY		
	MATERIAL #	CIRCUIT ID	KEY OPTION	WIRE DRESS OPTION				MATERIAL #	MATERIAL #	MATERIAL #	MATERIAL #	RCPT PLATING	WIRE SIZE mm ²	WIRE TYPE	PIGTAIL OR LOOPED	"LMX" IN METERS 10%	QTY	MATERIAL #			WIRE SIZE # mm ²	WIRE TYPE
NO	2047789931	73	A	0	34566-0103	34565-0003	34571-0101	2047801003	Ag	0.35	ISO	PGTL	3	72	2047811003	2	ISO	PGTL	3	1	6	0
NO	2047789831	73	B	0	34566-0203	34565-0003	34571-0101	2047801003	Ag	0.35	ISO	PGTL	3	72	2047811003	2	ISO	PGTL	3	1	6	0
NO	2047789731	73	C	0	34566-0303	34565-0003	34571-0101	2047801003	Ag	0.35	ISO	PGTL	3	72	2047811003	2	ISO	PGTL	3	1	6	0
NO	2047789431	73	F	0	34566-0603	34565-0003	34571-0101	2047801003	Ag	0.35	ISO	PGTL	3	72	2047811003	2	ISO	PGTL	3	1	6	0
NO	2047789932	73	A	0	34566-0103	34565-0003	34571-0101	2047802003	Ag	0.50	ISO	PGTL	3	72	2047811003	2	ISO	PGTL	3	1	6	0
NO	2047789832	73	B	0	34566-0203	34565-0003	34571-0101	2047802003	Ag	0.50	ISO	PGTL	3	72	2047811003	2	ISO	PGTL	3	1	6	0
NO	2047789732	73	C	0	34566-0303	34565-0003	34571-0101	2047802003	Ag	0.50	ISO	PGTL	3	72	2047811003	2	ISO	PGTL	3	1	6	0
NO	2047789432	73	F	0	34566-0603	34565-0003	34571-0101	2047802003	Ag	0.50	ISO	PGTL	3	72	2047811003	2	ISO	PGTL	3	1	6	0
NO	2047789933	73	A	0	34566-0103	34565-0003	34571-0101	2047803003	Ag	0.75	ISO	PGTL	3	72	2047811003	2	ISO	PGTL	3	1	6	0
NO	2047789833	73	B	0	34566-0203	34565-0003	34571-0101	2047803003	Ag	0.75	ISO	PGTL	3	72	2047811003	2	ISO	PGTL	3	1	6	0
NO	2047789733	73	C	0	34566-0303	34565-0003	34571-0101	2047803003	Ag	0.75	ISO	PGTL	3	72	2047811003	2	ISO	PGTL	3	1	6	0
NO	2047789433	73	F	0	34566-0603	34565-0003	34571-0101	2047803003	Ag	0.75	ISO	PGTL	3	72	2047811003	2	ISO	PGTL	3	1	6	0
NO	2047799911	73	A	0	34566-0103	34565-0003	34571-0101	2047801101	Ag	0.35	ISO	LPD	1	72	2047811101	2	ISO	LPD	1	1	3	0
NO	2047799811	73	B	0	34566-0203	34565-0003	34571-0101	2047801101	Ag	0.35	ISO	LPD	1	72	2047811101	2	ISO	LPD	1	1	3	0
NO	2047799711	73	C	0	34566-0303	34565-0003	34571-0101	2047801101	Ag	0.35	ISO	LPD	1	72	2047811101	2	ISO	LPD	1	1	3	0
NO	2047799411	73	F	0	34566-0603	34565-0003	34571-0101	2047801101	Ag	0.35	ISO	LPD	1	72	2047811101	2	ISO	LPD	1	1	3	0
NO	2047799912	73	A	0	34566-0103	34565-0003	34571-0101	2047802101	Ag	0.50	ISO	LPD	1	72	2047811101	2	ISO	LPD	1	1	3	0
NO	2047799812	73	B	0	34566-0203	34565-0033	34571-0101	2047802101	Ag	0.50	ISO	LPD	1	72	2047811101	2	ISO	LPD	1	1	3	0
NO	2047799712	73	C	0	34566-0303	34565-0033	34571-0101	2047802101	Ag	0.50	ISO	LPD	1	72	2047811101	2	ISO	LPD	1	1	3	0
NO	2047799412	73	F	0	34566-0603	34565-0003	34571-0101	2047802101	Ag	0.50	ISO	LPD	1	72	2047811101	2	ISO	LPD	1	1	3	0
NO	2047799913	73	A	0	34566-0103	34565-0003	34571-0101	2047803101	Ag	0.75	ISO	LPD	1	72	2047811101	2	ISO	LPD	1	1	3	0
NO	2047799813	73	B	0	34566-0203	34565-0003	34571-0101	2047803101	Ag	0.75	ISO	LPD	1	72	2047811101	2	ISO	LPD	1	1	3	0
NO	2047799713	73	C	0	34566-0303	34565-0003	34571-0101	2047803101	Ag	0.75	ISO	LPD	1	72	2047811101	2	ISO	LPD	1	1	3	0
NO	2047799413	73	F	0	34566-0603	34565-0003	34571-0101	2047803101	Ag	0.75	ISO	LPD	1	72	2047811101	2	ISO	LPD	1	1	3	0
NO	2047789333	80	G	0	34566-0703	34565-0003	34571-0301	2047803003	Ag	0.75	ISO	PGTL	3	80	N/A	N/A	N/A	N/A	N/A	N/A	6	0
NO	2047789233	80	H	0	34566-0803	34565-0003	34571-0301	2047803003	Ag	0.75	ISO	PGTL	3	80	N/A	N/A	N/A	N/A	N/A	N/A	6	0

PRODUCTION PART # FOR HARNESS ASSEMBLY (WITH WIRES) XXXXX-KKLW

XXXXXX- SERIES NUMBER			
SERIES #	CKT SIZE	WIRE TYPE	WIRE DRESS
204778	80/73/66	ISO*	PGTL
204779	80/73/66	ISO*	LPD

KK- HARNESS CONNECTOR KEY	
#	73/80 KEY
99	A
98	B
97	C
96	D
95	E
94	F
93	G
92	H
91	J
90	K
89	L
88	M
#	66 KEY
87	A
86	B
85	C

L - MX64 CRIMPED LEAD WIRE LENGTH (m)
W - MX64 CRIMPED LEAD WIRE WIDTH (mm²)
1 - 0.35
2 - 0.50
3 - 0.75

NOTES: UNLESS OTHERWISE SPECIFIED APPLIES TO "HRNS ASSY" ONLY
1. REFER TO: PACKAGING DRAWING # PK-31300-078
2. FOR HRNS ASSY WITH WIRE ASSY SEE NEXT PAGE

SYMBOLS	THIS DRAWING CONTAINS INFORMATION THAT IS PROPRIETARY TO MOLEX ELECTRONIC TECHNOLOGIES, LLC AND SHOULD NOT BE USED WITHOUT WRITTEN PERMISSION		CURRENT REV DESC:		
	MM	SCALE	EC NO: 605052		
GENERAL TOLERANCES (UNLESS SPECIFIED)		DRWN: HKLIANG 2018/09/27		MX123	
ANGULAR TOL ± °		CHK'D: JDENG02 2018/10/10		66/73/80CKT HRNS CONN ASSY	
4 PLACES ±		APPR: JDENG02 2018/10/10		PRODUCT CUSTOMER DRAWING	
3 PLACES ±		INITIAL REVISION:		DOCUMENT NUMBER	
2 PLACES ±		DRWN: TYE 2016/05/06		DOC TYPE	
1 PLACE ±		APPR: SKRAJENDRANA 2016/08/22		DOC PART	
0 PLACES ±		SERIES		REVISION	
DRAFT WHERE APPLICABLE MUST REMAIN WITHIN DIMENSIONS		THIRD ANGLE PROJECTION		SD-34566-001	
D-SIZE		34566		PSD 000 G63	
MATERIAL NUMBER		CUSTOMER		SEE TABLE	
GENERAL MARKET		SHEET NUMBER		7 OF 8	

ISO WIRE HRNS ASSY TABLE

TESTED	HRNS ASSY				HRNS CONN ASSY MATERIAL #	DRESS COVER MATERIAL #	GROMMET CAP MATERIAL #	MX64 WIRE ASSY PER E-33468-001						2.8mm YESC SEALED FEMALE TERMINAL TIN					TY-RAP QTY	RUBBER BAND QTY		
	MATERIAL #	CIRCUIT ID	KEY OPTION	WIRE DRESS OPTION				MATERIAL #	MATERIAL #	MATERIAL #	MATERIAL #	RCPT PLATING	WIRE SIZE # mm²	WIRE TYPE	PIGTAIL OR LOOPED	"LMX" IN METERS 10%	QTY	MATERIAL #			WIRE SIZE # mm²	WIRE TYPE
NO	2047789331	80	G	0	34566-0703	34565-0003	34571-0301	2047801003	Ag	0.35	ISO	PGTL	3	80	2047811003	2	ISO	PGTL	3	N/A	6	0
NO	2047789231	80	H	0	34566-0803	34565-0003	34571-0301	2047801003	Ag	0.35	ISO	PGTL	3	80	2047811003	2	ISO	PGTL	3	N/A	6	0
NO	2047789332	80	G	0	34566-0703	34565-0003	34571-0301	2047802003	Ag	0.50	ISO	PGTL	3	80	2047811003	2	ISO	PGTL	3	N/A	6	0
NO	2047789232	80	H	0	34566-0803	34565-0003	34571-0301	2047802003	Ag	0.50	ISO	PGTL	3	80	2047811003	2	ISO	PGTL	3	N/A	6	0
NO	2047789333	80	G	0	34566-0703	34565-0003	34571-0301	2047803003	Ag	0.75	ISO	PGTL	3	80	2047811003	2	ISO	PGTL	3	N/A	6	0
NO	2047789233	80	H	0	34566-0803	34565-0003	34571-0301	2047803003	Ag	0.75	ISO	PGTL	3	80	2047811003	2	ISO	PGTL	3	N/A	6	0
NO	2047799311	80	G	0	34566-0703	34565-0003	N/A	2047801101	Ag	0.35	ISO	LPD	1	80	2047811101	2	ISO	LPD	1	N/A	3	0
NO	2047799211	80	H	0	34566-0803	34565-0003	N/A	2047801101	Ag	0.35	ISO	LPD	1	80	2047811101	2	ISO	LPD	1	N/A	3	0
NO	2047799312	80	G	0	34566-0703	34565-0003	N/A	2047802101	Ag	0.50	ISO	LPD	1	80	2047811101	2	ISO	LPD	1	N/A	3	0
NO	2047799212	80	H	0	34566-0803	34565-0003	N/A	2047802101	Ag	0.50	ISO	LPD	1	80	2047811101	2	ISO	LPD	1	N/A	3	0
NO	2047799313	80	G	0	34566-0703	34565-0003	N/A	2047803101	Ag	0.75	ISO	LPD	1	80	2047811101	2	ISO	LPD	1	N/A	3	0
NO	2047799213	80	H	0	34566-0803	34565-0003	N/A	2047803101	Ag	0.75	ISO	LPD	1	80	2047811101	2	ISO	LPD	1	N/A	3	0
NO	2047789931	66	A	0	34822-0013	34565-0003	34822-5011	2047801003	Ag	0.35	ISO	PGTL	3	64	2047811003	2	ISO	PGTL	3	2	6	0
NO	2047789731	66	C	0	34822-0033	34565-0003	34822-5011	2047801003	Ag	0.35	ISO	PGTL	3	64	2047811003	2	ISO	PGTL	3	2	6	0
NO	2047789932	66	A	0	34822-0013	34565-0003	34822-5011	2047802003	Ag	0.50	ISO	PGTL	3	64	2047811003	2	ISO	PGTL	3	2	6	0
NO	2047789732	66	C	0	34822-0033	34565-0003	34822-5011	2047802003	Ag	0.50	ISO	PGTL	3	64	2047811003	2	ISO	PGTL	3	2	6	0
NO	2047789933	66	A	0	34822-0013	34565-0003	34822-5011	2047803003	Ag	0.75	ISO	PGTL	3	64	2047811003	2	ISO	PGTL	3	2	6	0
NO	2047789733	66	C	0	34822-0033	34565-0003	34822-5011	2047803003	Ag	0.75	ISO	PGTL	3	64	2047811003	2	ISO	PGTL	3	2	6	0
NO	2047799911	66	A	0	34822-0013	34565-0003	N/A	2047801101	Ag	0.35	ISO	LPD	1	64	2047811101	2	ISO	LPD	1	2	3	0
NO	2047799711	66	C	0	34822-0033	34565-0003	N/A	2047801101	Ag	0.35	ISO	LPD	1	64	2047811101	2	ISO	LPD	1	2	3	0
NO	2047799912	66	A	0	34822-0013	34565-0003	N/A	2047802101	Ag	0.50	ISO	LPD	1	64	2047811101	2	ISO	LPD	1	2	3	0
NO	2047799712	66	C	0	34822-0033	34565-0003	N/A	2047802101	Ag	0.50	ISO	LPD	1	64	2047811101	2	ISO	LPD	1	2	3	0
NO	2047799913	66	A	0	34822-0013	34565-0003	N/A	2047803101	Ag	0.75	ISO	LPD	1	64	2047811101	2	ISO	LPD	1	2	3	0
NO	2047799713	66	C	0	34822-0033	34565-0003	N/A	2047803101	Ag	0.75	ISO	LPD	1	64	2047811101	2	ISO	LPD	1	2	3	0

SYMBOLS	THIS DRAWING CONTAINS INFORMATION THAT IS PROPRIETARY TO MOLEX ELECTRONIC TECHNOLOGIES, LLC AND SHOULD NOT BE USED WITHOUT WRITTEN PERMISSION		
$\nabla = 0$	DIMENSION UNITS MM	SCALE	CURRENT REV DESC:
$\nabla = 0$	GENERAL TOLERANCES (UNLESS SPECIFIED)		
$\nabla = 0$	ANGULAR TOL	± °	EC NO: 605052 DRWN: HKLIANG 2018/09/27 CHK'D: JDENG02 2018/10/10 APPR: JDENG02 2018/10/10
$\nabla = 0$	4 PLACES	±	
$\nabla = 0$	3 PLACES	±	
$\nabla = 0$	2 PLACES	±	
$\nabla = 0$	1 PLACE	±	INITIAL REVISION: DRWN: TYE 2016/05/06 APPR: SKRAJENDRANA 2016/08/22
$\nabla = 0$	0 PLACES	±	
$\nabla = 0$	DRAFT WHERE APPLICABLE MUST REMAIN WITHIN DIMENSIONS	THIRD ANGLE PROJECTION	DRAWING
$\nabla = 0$			D-SIZE 34566 MATERIAL NUMBER: SEE TABLE CUSTOMER: GENERAL MARKET SHEET NUMBER: 8 OF 8



MX123
66/73/80CKT HRNS CONN ASSY

PRODUCT CUSTOMER DRAWING

DOCUMENT NUMBER	DOC TYPE	DOC PART	REVISION
SD-34566-001	PSD	000	G63