

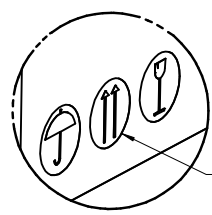
PRODUCT ID LABEL  
(1) PER REEL

SEE DETAIL 1

SHIPPER ID LABEL  
(1-2)/CARTON AS REQUIRED

PALLET 0313016630  
635 mm X 635 mm  
(26" X 26")  
(SEE NOTE 6)

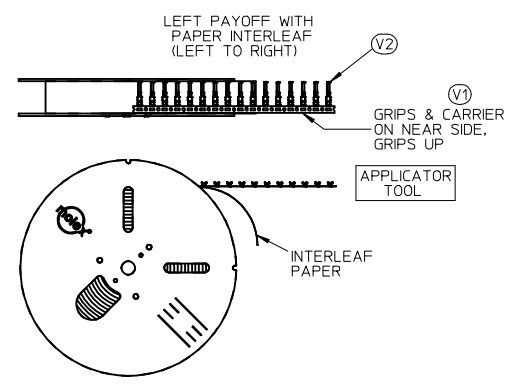
CUSTOMER COPY



NOTE 6

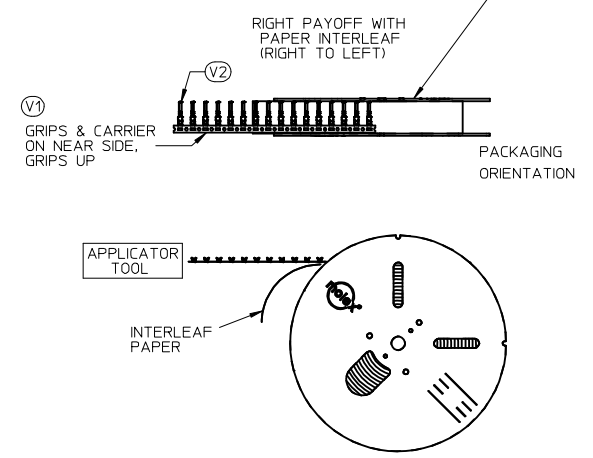
DETAIL 1  
SCALE 1:1.33

**PAYOFF  
DIRECTION D**



PLACE PRODUCT ID LABEL ON THIS SIDE TO INDICATE  
THE PREFERRED PACKAGING ORIENTATION

**PAYOFF  
DIRECTION B**

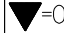
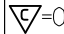



- NOTES:**
1. NUMBER OF TERMINALS PER REEL: SEE TABLE (SHEET 2)
  2. STANDARD PACK QUANTITY (SPQ): SEE TABLE (SHEET 2)
  3. NUMBER OF REELS PER CARTON: SEE TABLE (SHEET 2)
  4. SPLICING: NO BREAKS, MAXIMUM 1 WELD PER REEL
  5. TO MINIMIZE STRESS ON TERMINALS, REELS SHOULD ALWAYS BE SHIPPED ON PALLETS WITH THE REELS LAYING FLAT AS SHOWN.
  6. PLACE CARTONS ON PALLET WITH ARROWS POINTING UP PER DETAIL 1
  7. FOR INTERNAL COPY SEE: PK-31301-053

SPO CORRECTION EC NO: UAU2015-0955 DRAWN: PHELPS 2014/12/19 CHKD: JNORTHRO APPR: JNORTHRO 2015/01/26 REV: 4	QUALITY SYMBOLS ▽=0 ▽=0	GENERAL TOLERANCES (UNLESS SPECIFIED) mm INCH 4 PLACES ± --- ± --- 3 PLACES ± --- ± --- 2 PLACES ± --- ± --- 1 PLACE ± --- ± --- ANGULAR ± 1°	DIMENSION STYLE MM ONLY DRAWN BY DATE PPHELPS 2012/10/24 CHECKED BY DATE	SCALE 1:10 DESIGN UNITS METRIC THIRD ANGLE PROJECTION	TITLE CTX PACKAGING SPEC GEN. MRKT. PRODUCT CUSTOMER COPY
	DRAFT WHERE APPLICABLE MUST REMAIN WITHIN DIMENSIONS	APPROVED BY DATE JNORTHRO 2012/11/26	MATERIAL NO. SEE TABLE	MOLEX INCORPORATED DOCUMENT NO. SD-31301-053	SHEET NO. 1 OF 2
	THIS DRAWING CONTAINS INFORMATION THAT IS PROPRIETARY TO MOLEX INCORPORATED AND SHOULD NOT BE USED WITHOUT WRITTEN PERMISSION				
	SIZE C				

PACKAGING DATA											
PRODUCT DESCRIPTION	CTX 64				CTX 150			CTX 280 SEALED			
PRODUCT P/N SERIES	0348030*** 0348031*** 0348032***		0348033*** 0348035***		034805****			034808****			
GRIP CODE	S	L	S	L	S	M	L	VS	S	M	L
PART WT (Kg/1000)	.1552	.1642	.126	.126	.3070	.3270	.3470	.6596	.6886	.7106	.7332
STAND PACK QTY (SPQ)	60000	60000	60000	60000	35000	30000	25000	10000	10000	10000	10000
QTY/REEL	10000	10000	10000	10000	7000	6000	5000	2000	2000	2000	2000
REELS/SHIPPER CARTON	6	6	6	6	5	5	5	5	5	5	5
CARTONS/PALLET (MAX)	5	5	5	5	5	5	5	5	5	5	5
FILLED CARTON WT (Kg)	14.83	15.37	TBD	TBD	15.64	14.70	13.57	11.5	11.8	12.0	12.2
FLANGE DIAMETER (MM)	610	610	610	610	610	610	610	610	610	610	610

CUSTOMER COPY

SPQ CORRECTION EC NO: UAU2015-0955 DRWN:PPHELPS 2014/12/19 CHKD: APPR: JNORTHRO 2015/01/26 REV: 4	DESCRIPTION JNORTHRO	QUALITY SYMBOLS	GENERAL TOLERANCES (UNLESS SPECIFIED) <table border="1"> <tr> <th></th> <th>mm</th> <th>INCH</th> </tr> <tr> <td>4 PLACES</td> <td>± .005</td> <td>± .0004</td> </tr> <tr> <td>3 PLACES</td> <td>± .003</td> <td>± .0002</td> </tr> <tr> <td>2 PLACES</td> <td>± .002</td> <td>± .0001</td> </tr> <tr> <td>1 PLACE</td> <td>± .001</td> <td>± .00005</td> </tr> </table>		mm	INCH	4 PLACES	± .005	± .0004	3 PLACES	± .003	± .0002	2 PLACES	± .002	± .0001	1 PLACE	± .001	± .00005	DIMENSION STYLE <b>MM ONLY</b>	SCALE <b>1:15</b>	DESIGN UNITS <b>METRIC</b>	THIRD ANGLE PROJECTION
				mm	INCH																	
		4 PLACES		± .005	± .0004																	
		3 PLACES		± .003	± .0002																	
2 PLACES	± .002	± .0001																				
1 PLACE	± .001	± .00005																				
 = 0  = 0	DRAWN BY PPHELPS DATE 2012/10/24 CHECKED BY DATE	TITLE <b>CTX PACKAGING SPEC GEN. MRKT. PRODUCT CUSTOMER COPY</b>																				
APPROVED BY JNORTHRO DATE 2012/11/26		 <b>MOLEX INCORPORATED</b>																				
DRAFT WHERE APPLICABLE MUST REMAIN WITHIN DIMENSIONS		MATERIAL NO. <b>SEE TABLE</b> DOCUMENT NO. <b>SD-31301-053</b>		SHEET NO. <b>2 OF 2</b>																		

CONTACT SHAPE DEFINITION

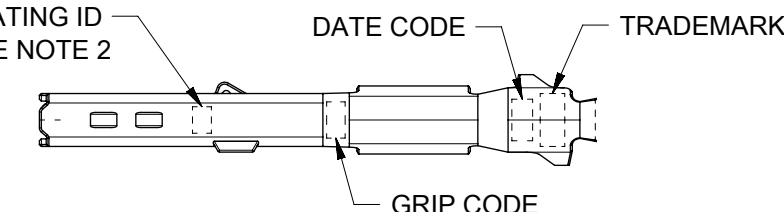
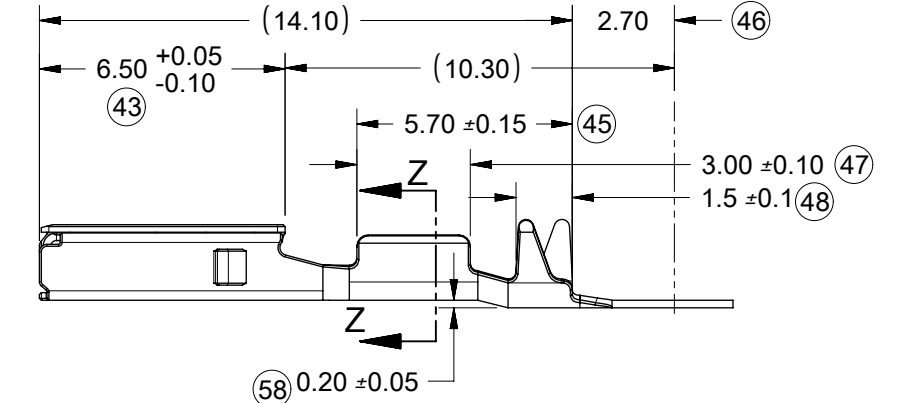
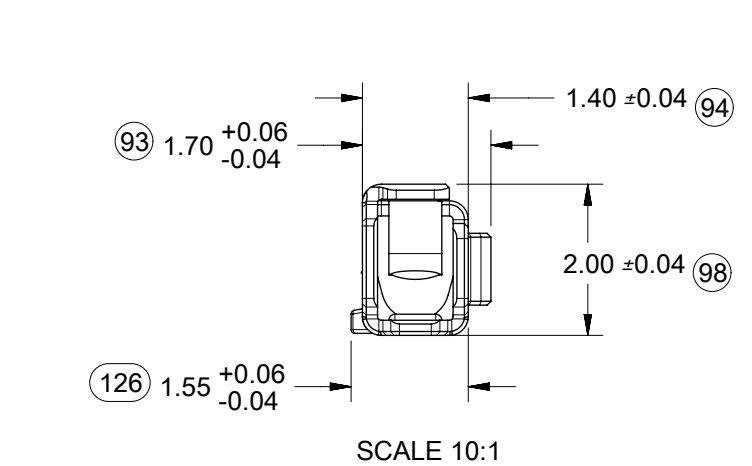
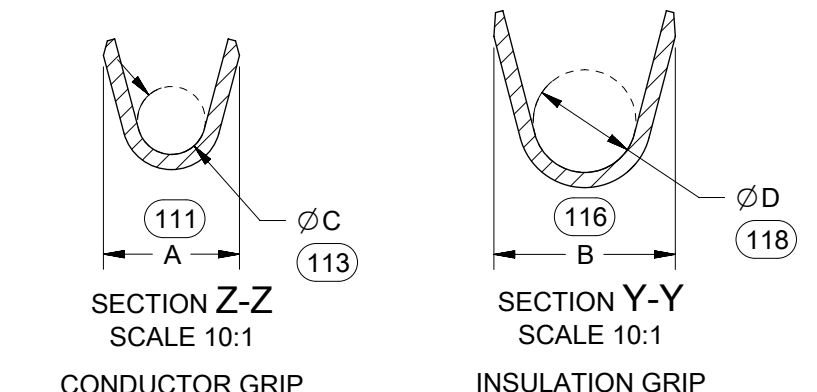
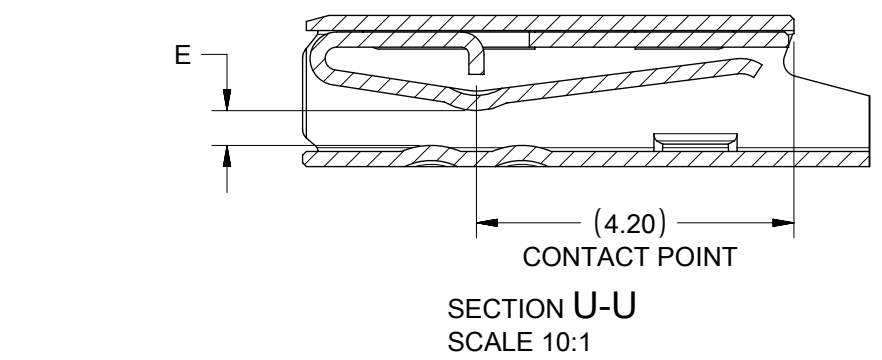
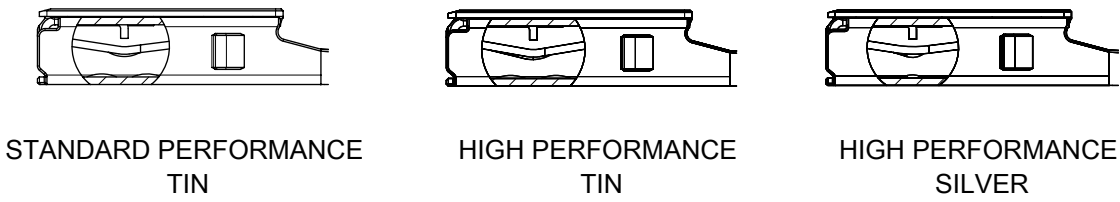
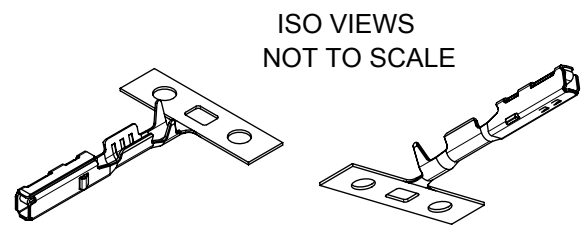


TABLE 1													
FAMILY	GENDER	SEALING	PLATING	PART NO	PAYOFF DIRECTION	GRIP CODE	WIRE SIZES*	A ±0.20	B ±0.30	C ±0.10	D ±0.20	E	SPECIAL CHARACTERISTICS
CTX64	RECEPTACLE	MAT SEAL	STANDARD TIN (Sn)	34803-3211	LEFT (D)	S	22AWG	1.80	2.40	0.90	1.36	(0.46)	STANDARD PERFORMANCE TIN
				34803-3213	RIGHT (B)		0.22-0.35mm <sup>2</sup>						
				34803-3212	LEFT (D)	L	20AWG	2.15	2.50	1.20	1.72	(0.46)	STANDARD PERFORMANCE TIN
				34803-3214	RIGHT (B)		0.50-0.85mm <sup>2</sup>						
			HP TIN (Sn)	34803-3411	LEFT (D)	S	22AWG	1.80	2.40	0.90	1.36	(0.42)	HIGH PERFORMANCE TIN
				34803-3413	RIGHT (B)		0.22-0.35mm <sup>2</sup>						
				34803-3412	LEFT (D)	L	20AWG	2.15	2.50	1.20	1.72	(0.42)	HIGH PERFORMANCE TIN
				34803-3414	RIGHT (B)		0.50-0.75mm <sup>2</sup>						
			HP SILVER (Ag)	34803-5303	LEFT (D)	S	22AWG	1.80	2.40	0.90	1.36	(0.46)	HIGH PERFORMANCE SILVER
				34803-5307	RIGHT (B)		0.22-0.35mm <sup>2</sup>						
				34803-5305	LEFT (D)	L	20AWG	2.15	2.50	1.20	1.72	(0.46)	HIGH PERFORMANCE SILVER
				34803-5309	RIGHT (B)		0.50-0.75mm <sup>2</sup>						

\* SEE AS-502306-002 FOR SPECIFIC WIRE TYPES

- NOTES: (UNLESS OTHERWISE SPECIFIED)
- MATERIAL: COPPER ALLOY
  - PLATING MARK: TIN (Sn) - NO MARK  
SILVER (Ag) - A
  - PACKAGING PER SD-31301-053
  - CRIMPING PER AS-502306-002
  - PROBING AT ANY LOCATION ON THE TERMINAL BEAM IS NOT PERMITTED
  - PRODUCT SPECIFICATION PER PS-502306-001
  - ANTI-TARNISH TREATMENT FOR SILVER PLATED AREA: SYNTHETIC HYDROCARBON CONTACT SURFACE FINISH OR EQUIVALENT



FUNCTIONAL SYMBOLS	THIS DRAWING CONTAINS INFORMATION THAT IS PROPRIETARY TO MOLEX ELECTRONIC TECHNOLOGIES, LLC AND SHOULD NOT BE USED WITHOUT WRITTEN PERMISSION													
	$\nabla_A = 0$ $\nabla_B = 0$ $\nabla_C = 0$	DIMENSION UNITS <b>mm</b>	SCALE <b>5:1</b>	CURRENT REV DESC: HP TIN PART NUMBERS ADDED, CONTACT SHAPE VIEWS ADDED.										
	GENERAL TOLERANCES (UNLESS SPECIFIED)			EC NO: 640448										
	ANGULAR TOL ± 1.0°			DRWN: NVENKATESHSH 2018/08/13							CTX64 RECEPTACLE TERMINAL			
4 PLACES ±			CHK'D: GSIMON 2020/07/06							PRODUCT CUSTOMER DRAWING				
2 PLACES ± 0.08			APPR: JCUATACERVAN 2020/07/20							DOCUMENT NUMBER				
1 PLACE ± 0.08			INITIAL REVISION:							SD-34803-002				
0 PLACES ±			DRWN: AKARANA 2013/03/05							DOC TYPE   DOC PART   REVISION				
DRAFT WHERE APPLICABLE MUST REMAIN WITHIN DIMENSIONS			THIRD ANGLE PROJECTION		DRAWING		SERIES		MATERIAL NUMBER		CUSTOMER		SHEET NUMBER	
					B-SIZE		34803		SEE TABLE 1		GENERAL MARKET		1 OF 1	