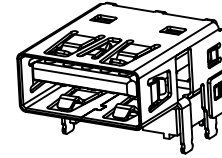
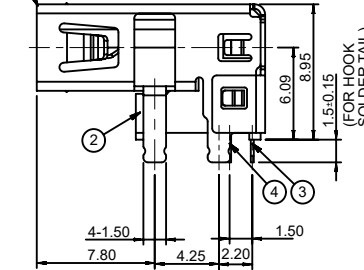
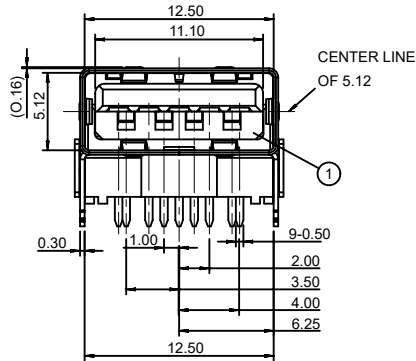


NOTES:

1. MATERIAL:
 - 1.1 HOUSING: THERMOPLASTIC, HIGH TEMP., UL94V-0, COLOR: BLUE
 - 1.2 CONTACT: COPPER ALLOY
 - 1.3 SHELL: STAINLESS STEEL
2. FINISH:
 - 2.1 CONTACT: PLS. SEE TABLE INFORMATION
 - 2.2 SHELL: NICKEL PLATING OVER ALL
3. SPEC. PLS. REFER TO PS-48391-001
4. PACKAGE PLS. REFER TO PK-48391-001
5. LEAD FREE AND ROHS COMPLIANT PRODUCT
6. DATE CODE 1A 08 XX

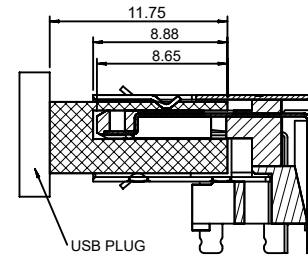
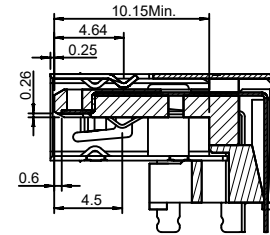
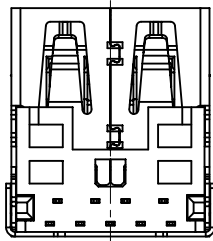
RECOMMEND PCB LAYOUT COMPONENT SIDE
 DEFAULT TOLERANCES ±0.05 P.C.B THICKNESS=1.20mm

YEAR : 1=2011
 MONTH : A(JAN) , B(FEB)
 DATE : 8=08



TABLE

PLATING	MOLEX P/N
15u' GOLD	48391-0003



No.	DESCRIPTION	MATERIAL
5	METAL SHELL	STAINLESS STEEL
4	TERMINAL A	COPPER ALLOY
3	TERMINAL B	COPPER ALLOY
2	SPACER	THERMOPLASTIC
1	HOUSING	THERMOPLASTIC

SHELL	SHIELD
9	STDA_SSTX+
8	STDA_SSTX-
7	GND_DRAIN
6	STDA_SSRX+
5	STDA_SSRX-
4	GND
3	D+
2	D-
1	VBUS

DOCUMENT STATUS	P1	RELEASE DATE	2021/07/05	08:39:19
-----------------	----	--------------	------------	----------

THIS DRAWING CONTAINS INFORMATION THAT IS PROPRIETARY TO MOLEX ELECTRONIC TECHNOLOGIES, LLC AND SHOULD NOT BE USED WITHOUT WRITTEN PERMISSION

DIMENSION UNITS	SCALE	CURRENT REV DESC: OBSOLETE PART NUMBERS AS PER PCN#508521			
mm	1:1				
GENERAL TOLERANCES (UNLESS SPECIFIED)			EC NO: 667388 DRWN: SKANDB 2021/04/16 CHK'D: GGA 2021/07/05 APPR: GGA 2021/07/05		
	MM	INCH			
4 PLACES	±	±	INITIAL REVISION: DRWN: CANDY 2013/06/17 APPR: JASON 2013/06/17		
3 PLACES	±	±			
2 PLACES	±	0.25	PRODUCT CUSTOMER DRAWING DOCUMENT NUMBER: SD-48391-001 DOC TYPE: PSD DOC PART: 001 REVISION: B		
1 PLACE	±	0.25			
0 PLACES	±	±	MATERIAL NUMBER: SEE TABLE CUSTOMER: GENERAL MARKET SHEET NUMBER: 1 OF 1		
ANGULAR TOL	±	3.0 °			
DRAFT WHERE APPLICABLE MUST REMAIN WITHIN DIMENSIONS			THIRD ANGLE PROJECTION	DRAWING	SERIES
				A4-SIZE	48391