

- NOTES:
- MATERIAL:
 - HOUSING: THERMOPLASTIC, HIGH TEMP., UL94V-0, COLOR:BLUE
 - CONTACT: COPPER ALLOY
 - SHELL: STAINLESS STEEL
 - FINISH:
 - CONTACT: PLS. SEE TABLE INFORMATION
 - SOLDER TAIL PLATING: MATT TIN OVER NICKEL
 - UNDERPLATING: NICKEL OVER ALL
 - SHELL: NICKEL PLATING OVER ALL
 - SPEC. PLS. REFER TO PS-48393-001
 - PACKAGE PLS. REFER TO PK-48393-001
 - LEAD FREE AND ROHS COMPLIANT PRODUCT
 - DATE CODE

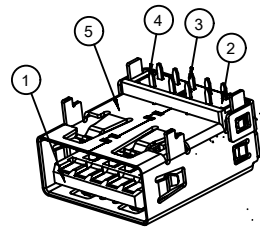
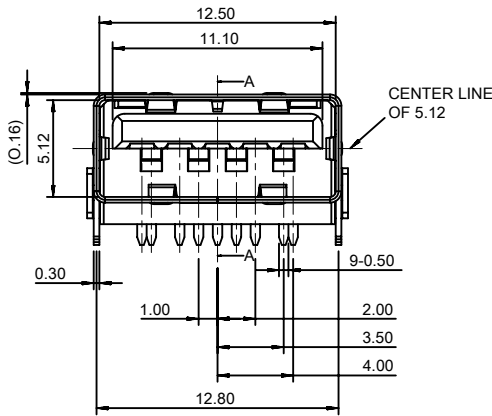
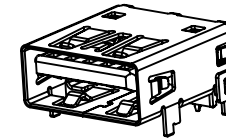
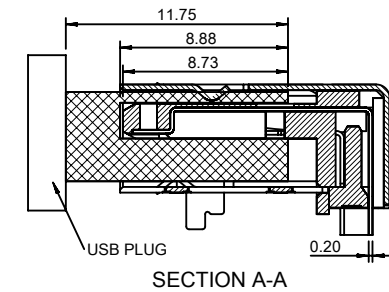
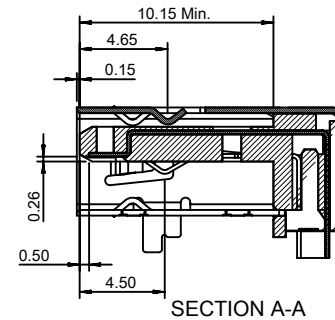
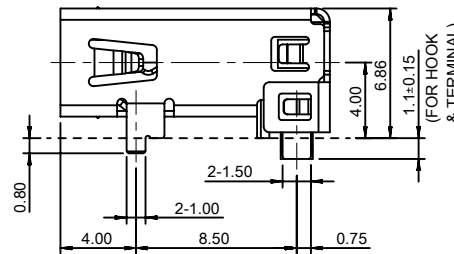
YEAR:1=2011 MONTH:A(JAN),B(FEB) DATE:8=08

1 A 08 X X

REMARK
PRODUCE PLACE

PLATING	MOLEX P/N
15u' GOLD	48393-0003

RECOMMEND PCB LAYOUT COMPONENT SIDE
DEFAULT TOLERANCES ±0.05 P.C.B THICKNESS=1.20mm



5	METAL SHELL	STAINLESS STEEL
4	TERMINAL A	COPPER ALLOY
3	TERMINAL B	COPPER ALLOY
2	SPACER	THERMOPLASTIC
1	HOUSING	THERMOPLASTIC
No.	DESCRIPTION	MATERIAL

SHELL		SHIELD		THIS DRAWING CONTAINS INFORMATION THAT IS PROPRIETARY TO MOLEX ELECTRONIC TECHNOLOGIES, LLC AND SHOULD NOT BE USED WITHOUT WRITTEN PERMISSION			
9	STDA_SSTX+	9	STDA_SSTX+	DIMENSION UNITS	SCALE	CURRENT REV DESC: OBSOLETE PART NUMBERS AS PER PCN#508521	
8	STDA_SSTX-	8	STDA_SSTX-	mm	1:1		
7	GND_DRAIN	7	GND_DRAIN	GENERAL TOLERANCES (UNLESS SPECIFIED)			
6	STDA_SSRX+	6	STDA_SSRX+				
5	STDA_SSRX-	5	STDA_SSRX-				
4	GND	4	GND	4 PLACES	±	±	
3	D+	3	D+	3 PLACES	±	±	
2	D-	2	D-	2 PLACES	± 0.25	±	
1	VBUS	1	VBUS	1 PLACE	± 0.25	±	
PIN NO.	SIGNAL NAME	0		0 PLACES	±	±	
				ANGULAR TOL	± 3.0 °		
DRAFT WHERE APPLICABLE MUST REMAIN WITHIN DIMENSIONS				THIRD ANGLE PROJECTION	DRAWING	SERIES	MATERIAL NUMBER
					A4-SIZE	48393	SEE TABLE
				EC NO: 667388	DRWN: SKANDB	2021/04/19	
				CHK'D: GGA	APPR: GGA	2021/07/05	
				INITIAL REVISION:	DRWN: SKQI	2013/06/14	
				APPR: JASON	2013/06/14		
				DOCUMENT NUMBER	DOC TYPE	DOC PART	REVISION
				SD-48393-001	PSD	001	B
				CUSTOMER	GENERAL MARKET		SHEET NUMBER
				1 OF 1			

DOCUMENT STATUS	P1	RELEASE DATE	2021/07/05	08:39:20
-----------------	----	--------------	------------	----------