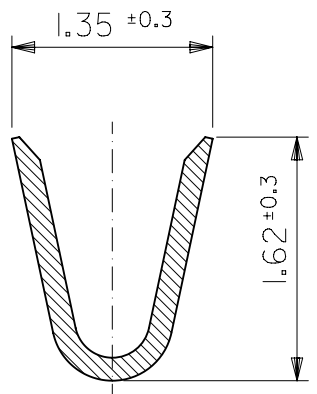
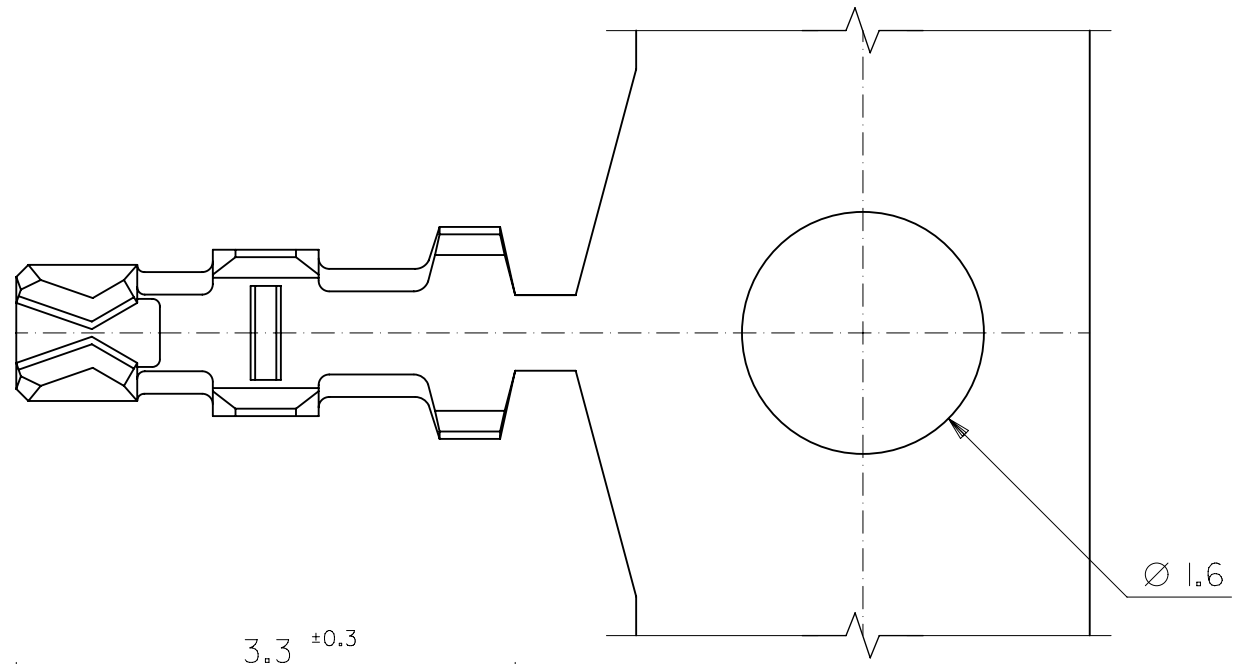


SECT. A-A

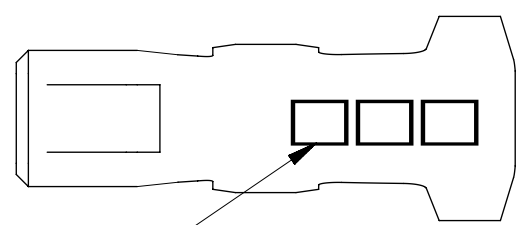
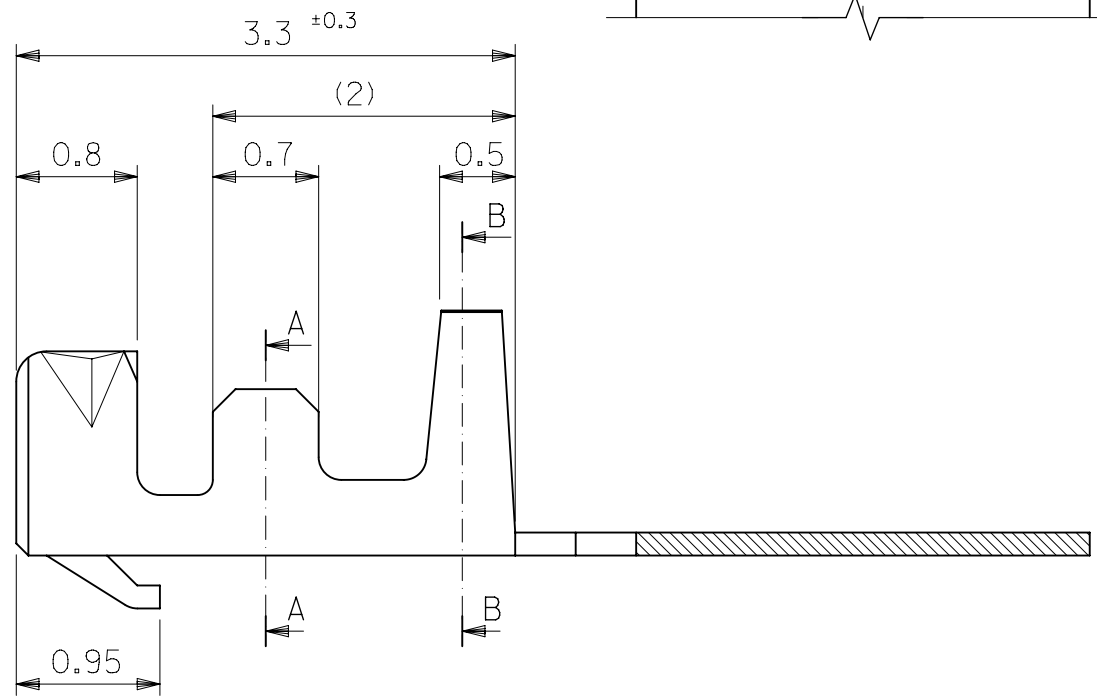
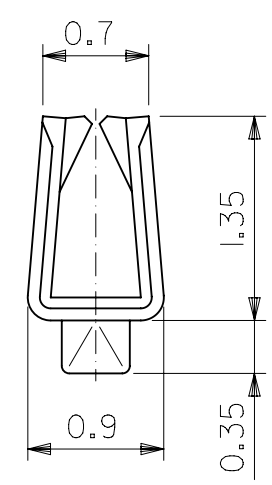


SECT. B-B



NOTE

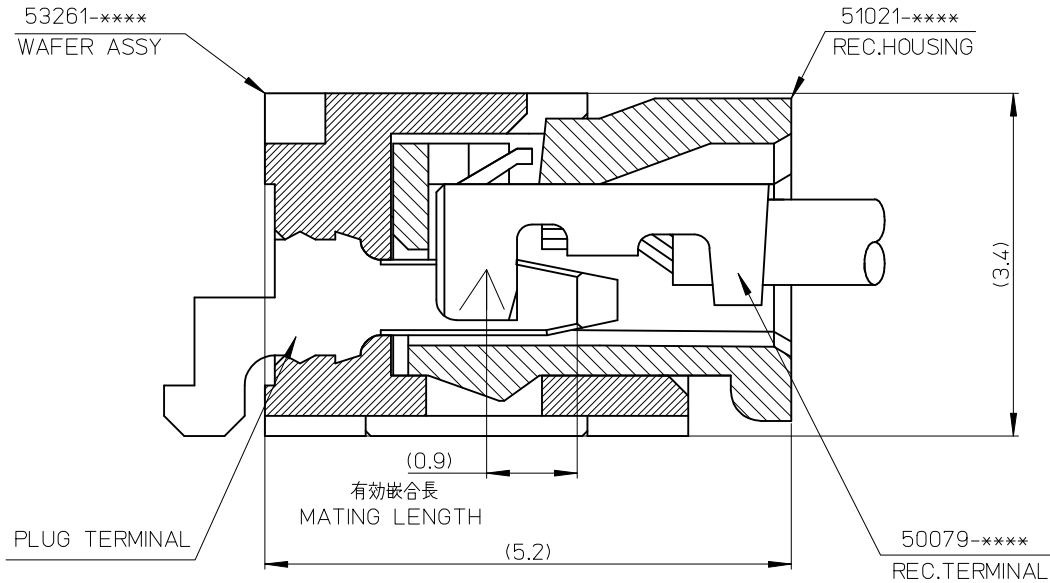
- 適合ハウジング : 51021-****
APPLICABLE HOUSING: 51021-****
- めっき仕様 : 下記表参照
PLATING: SEE CHART
- 圧着条件については500580000-CSを参照。
PLEASE REFER TO CRIMP SPECIFICATION 500580000-CS.



トレードマーク
TRADE MARK

| | | |
|--------------------------------------|-------|------------|
| PRE-PLATED | LOOSE | 50079-8100 |
| REFLOW TREATED MATTE TIN: 0.9µm MIN. | CHAIN | 50079-8000 |
| PLATING | FORM | ORDER NO. |

| | | | |
|---|---------------------------------------|---|---------------------|
| 適用電線範囲 WIRE RANGE AWG:#26-#28 | 被覆外径 INSULATION RANGE Ø1.04MAX. | THIS DRAWING CONTAINS INFORMATION THAT IS PROPRIETARY TO MOLEX ELECTRONIC TECHNOLOGIES, LLC AND SHOULD NOT BE USED WITHOUT WRITTEN PERMISSION | |
| 材料 MATERIAL りん青銅 PHOSPHOR BRONZE (t=0.15) | DIMENSION UNITS mm | SCALE 20:1 | CURRENT REV DESC: |
| | GENERAL TOLERANCES (UNLESS SPECIFIED) | | |
| | ANGULAR TOL ± 3.0° | EC NO: 170638 | |
| | 4 PLACES ± 0.2 | DRWN: SOBARA01 2018/01/09 | |
| | 3 PLACES ± 0.2 | CHK'D: AIDA 2018/01/18 | |
| 2 PLACES ± 0.2 | APPR: TKANEKO 2018/01/18 | | |
| 1 PLACE ± 0.2 | INITIAL REVISION: | | |
| 0 PLACES ± 0.2 | DRWN: ESUZUKI 2004/11/30 | | |
| | APPR: NUKITA 2004/12/06 | | |
| DRAFT WHERE APPLICABLE MUST REMAIN WITHIN DIMENSIONS | THIRD ANGLE PROJECTION | DRAWING A3-SIZE | SERIES 50079 |
| | | MATERIAL NUMBER SEE CHART | CUSTOMER GENERAL |
| | | DOCUMENT NUMBER SD-50079-001 | DOC TYPE PSD |
| | | DOC PART 001 | REVISION J |
| | | SHEET NUMBER 1 OF 1 | |



| | | |
|------------|------------|------------------------|
| 53261-**** | WAFER ASSY | MODEL NO./MATERIAL NO. |
| 50079-**** | TERMINAL | |
| 51021-**** | HOUSING | |

| | | | | | |
|--|---------------------------------------|----------------------------|-------------------------|------------------------|---|
| RELEASED EC NO: J2006-2426 DRWN: YA0YAGI CHKD: YMAEDA APPR: NUKITA 2006/02/07 2006/02/03 2006/02/07 | GENERAL TOLERANCES (UNLESS SPECIFIED) | DIMENSION STYLE MM ONLY | SCALE --- | DESIGN UNITS METRIC | THIRD ANGLE PROJECTION |
| | 10 UNDER | ± --- | DRAWN BY Y. A0YAGI | DATE 2006/01/30 | TITLE 1.25 W-T0-B CONN. 51021,53261 MATING CROSS SECTION |
| | 10 OVER 30 UNDER | ± --- | CHECKED BY Y. MAEDA | DATE 2006/01/30 | MOLEX INCORPORATED |
| | 30 OVER | ± --- | APPROVED BY N. UKITA | DATE 2006/01/30 | |
| | ANGULAR | ± --- ° | MATERIAL NO. | DOCUMENT NO. | SHEET NO. |
| DRAFT WHERE APPLICABLE MUST REMAIN WITHIN DIMENSIONS | | SEE CHART | SD-51021-002 | 1 OF 1 | |