

- PIN No.1: DAT2
- PIN No.2: CD/DAT3<sup>2</sup>
- PIN No.3: CMD
- PIN No.4: VDD
- PIN No.5: CLK
- PIN No.6: Vss
- PIN No.7: DAT0
- PIN No.8: DAT1

NOTES:

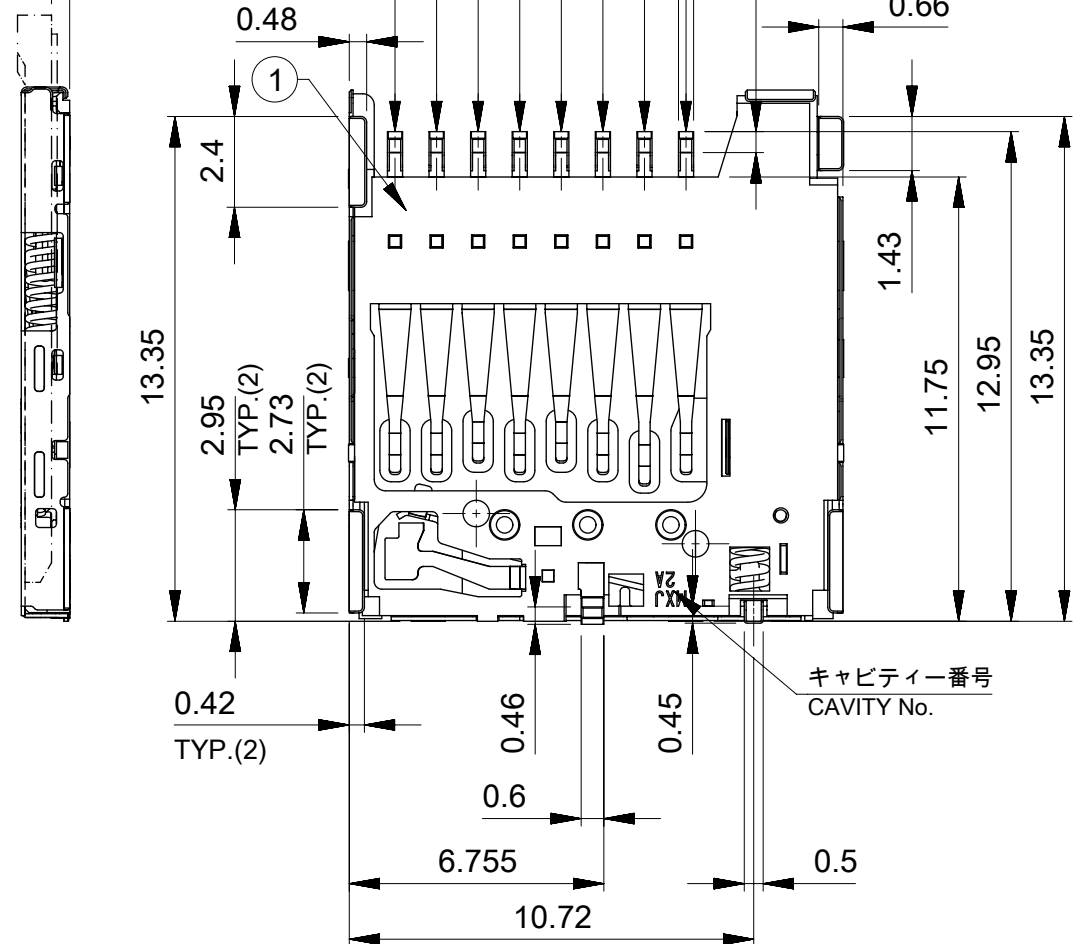
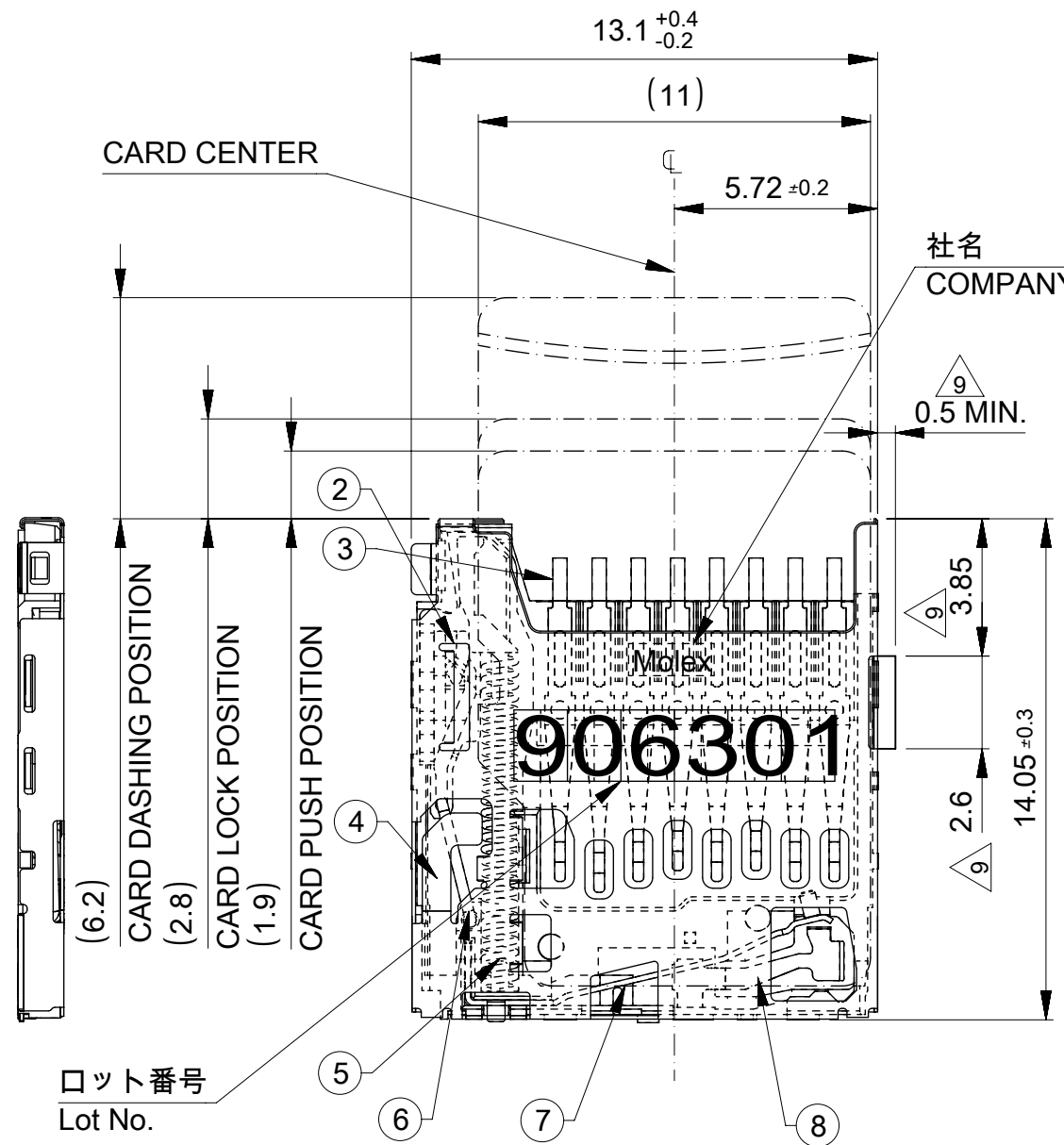
- 1.ターミナル及びネイルの平坦度は0.1 MAX.  
(測定用定板面を基準)
- △2 TERMINAL AND NAIL COPLANARITY TO BE 0.1 MAX.(FROM GAUGE PLANE)
- 2 スタンドオフ寸法 STAND OFF
- △3 パターン禁止エリア PATTERN PROHIBITION AREA
- 4.カード検知スイッチ DETECT SWITCH

カード挿入時 CARD INSERTING POSITION	クローズ CLOSE
カード未挿入時 NO CARD	オープン OPEN

- 5.肉抜き位置は任意とする。CAVITY IS TO BE OPTIONAL.
- 6.ロット印字は任意とする。LOT NUMBERING IS TO BE OPTIONAL.
- △7 GND 推奨パターン GND RECOMMENDED PATTERN.
- 8.ELV 及びRoHS適合品 ELV AND RoHS COMPLIANT.
- △9 カード裏挿し誤挿入時、カード突出エリア  
(他の部品の設置、非推奨範囲)

WHEN A CARD IS MISS-MATED IN THE REVERSE ORIENTATION, PART OF THE CARD PROTRUDES FROM THE SHELL DUE TO THE CARD-MISS MATING PREVENTION FEATURE. THEREFORE, NO COMPONENTS ARE ALLOWED TO BE PLACED IN THIS AREA.

10.本製品はカード排出性向上品です。  
This product is card ejection performance improvement type.



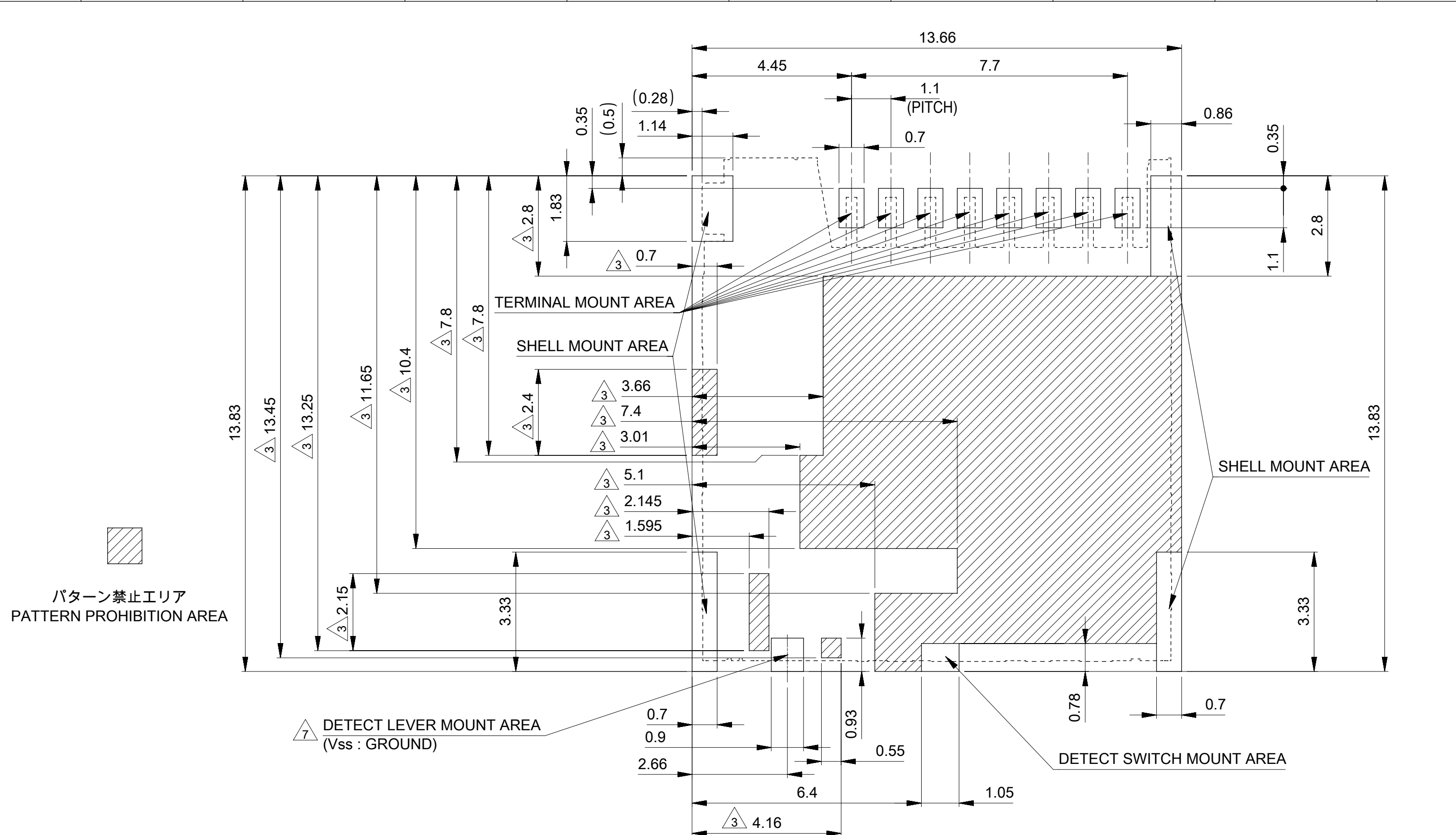
109011C

1 : Year(2011)  
09: Month(9)  
01: Day(1)  
1 : Line No.

IDENTIFICATION MARK  
C : 503398-1892(ORDER NO.)

503398-1892	8
EMBOSSED PACKAGE	極数 CIRCUITS
オーダー番号 ORDER NO.	
CONNECTOR SERIES No. 503398-1821	

GENERAL TOLERANCES: (UNLESS SPECIFIED) 一般公差		THIS DRAWING CONTAINS INFORMATION THAT IS PROPRIETARY TO MOLEX ELECTRONIC TECHNOLOGIES, LLC AND SHOULD NOT BE USED WITHOUT WRITTEN PERMISSION	
10 UNDER 未満	±0.2	DIMENSION UNITS	SCALE
10 OVER 以上	30 UNDER 未満	mm	1:1
30 OVER 以上		GENERAL TOLERANCES (UNLESS SPECIFIED)	CURRENT REV DESC:
ANGLE 角度	±3°	ANGULAR TOL ±	EC NO: 635207
		4 PLACES ±	DRWN: YSEKI01 2020/04/02
		3 PLACES ±	CHK'D: MSASAO 2020/04/02
		2 PLACES ±	APPR: YNAITO 2020/04/02
		1 PLACE ±	INITIAL REVISION:
		0 PLACES ±	DRWN: YGOTO 2011/12/13
			APPR: YOITO 2011/12/16
DRAFT WHERE APPLICABLE MUST REMAIN WITHIN DIMENSIONS		THIRD ANGLE PROJECTION	DRAWING
			A3-SIZE
		SERIES	503398
		MATERIAL NUMBER	SEE CHART
		CUSTOMER	GENERAL MARKET
		DOCUMENT NUMBER	SD-503398-003
		DOC TYPE	PSD
		DOC PART	001
		REVISION	A3
		SHEET NUMBER	1 OF 3



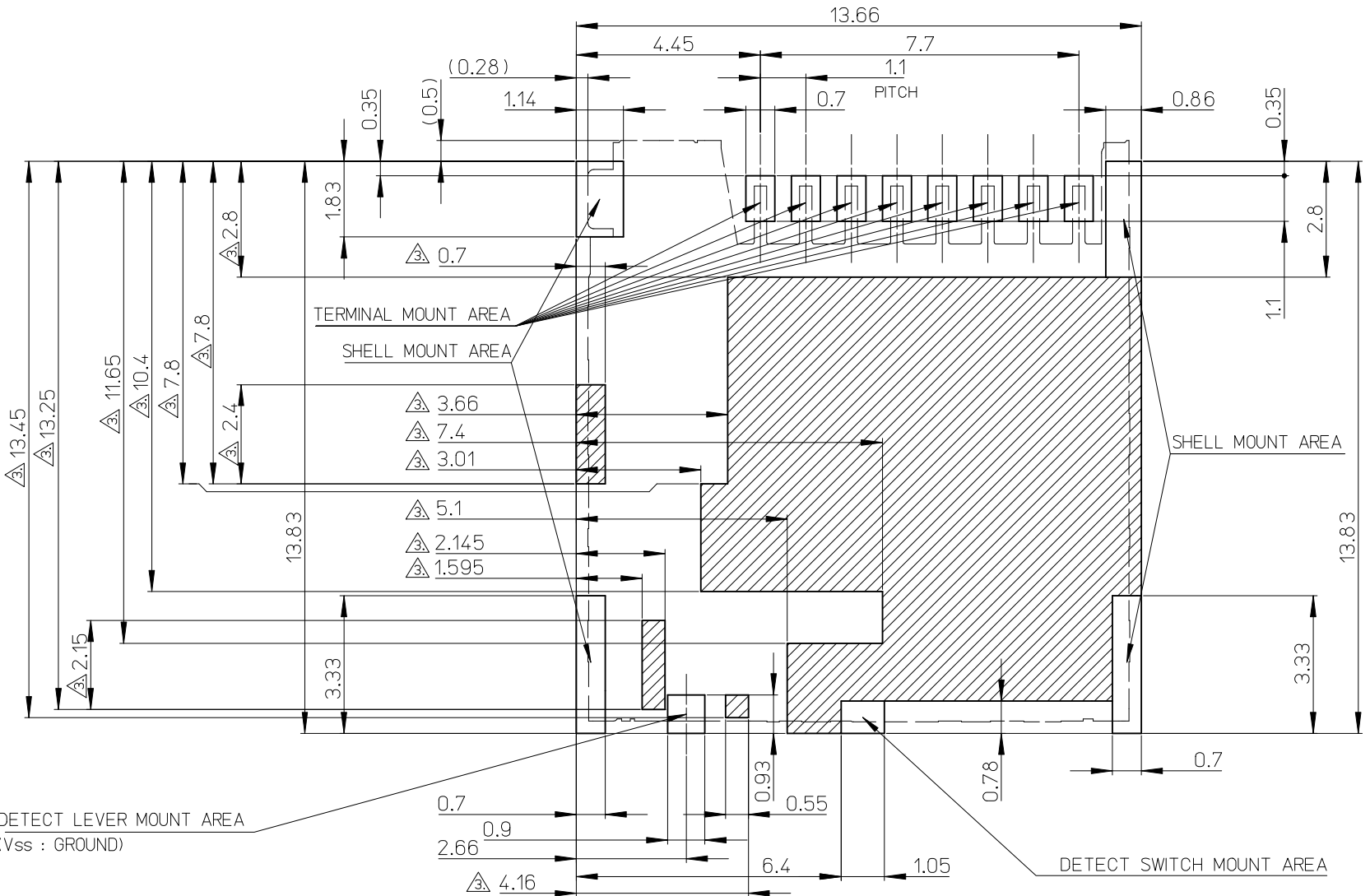
RECOMMENDED  
PCB PATTERN LAYOUT  
(GENERAL TOLERANCE : ±0.05)

GENERAL TOLERANCES: (UNLESS SPECIFIED) 一般公差		THIS DRAWING CONTAINS INFORMATION THAT IS PROPRIETARY TO MOLEX ELECTRONIC TECHNOLOGIES, LLC AND SHOULD NOT BE USED WITHOUT WRITTEN PERMISSION	
10 UNDER 未満	±0.2	DIMENSION UNITS mm	SCALE 1:1
10 OVER 以上	30 UNDER 未満	CURRENT REV DESC:	
30 OVER 以上	±0.25	EC NO: 635207 DRWN: YSEKI01 CHK'D: MSASAO APPR: YNAITO	
ANGLE 角度	±3°	2020/04/02 2020/04/02 2020/04/02	
		INITIAL REVISION: DRWN: YGOTO APPR: YOITO	
		2011/12/13 2011/12/16	
		DRAFT WHERE APPLICABLE MUST REMAIN WITHIN DIMENSIONS	
		THIRD ANGLE PROJECTION DRAWING A3-SIZE	
		SERIES 503398	
		MATERIAL NUMBER CUSTOMER GENERAL MARKET	
		DOCUMENT NUMBER SD-503398-003	
		DOC TYPE PSD	
		DOC PART 001	
		REVISION A3	
		SHEET NUMBER 2 OF 3	

番号 NO.	名称 NAME	材料 MATERIAL	仕上げ(めっき) FINISHES (PLATING)
1	ハウジング HOUSING	液晶ポリマー(LCP)、ガラス充填、UL94 V-0、黒 LIQUID CRYSTAL POLYMER (LCP), GLASS FILLED, UL94 V-0, BLACK ポリプラスチック製 VECTRA S475 VECTRA S475 MADE OF POLYPLASTICS	
2	カムスライダー CAM SLIDER	液晶ポリマー(LCP)、ガラス充填、UL94 V-0、黒 LIQUID CRYSTAL POLYMER (LCP), GLASS FILLED, UL94 V-0, BLACK ポリプラスチック製 VECTRA E130i VECTRA E130i MADE OF POLYPLASTICS	
3	ターミナル TERMINAL	燐青銅 C52100(t=0.15) PHOSPOHR BRONZE C52100(t=0.15)	接触部：金めっき (0.5μm MIN.) テール部：錫めっき (2.0μm MIN.) 下地：ニッケルめっき (1.0μm MIN.) CONTACT AREA : GOLD PLATING (0.5 MICROMETER MINIMUM.) SOLDER TAIL AREA : TIN PLATING (2.0 MICROMETER MINIMUM.) UNDERPLATE : NICKEL OVERALL (1.0 MICROMETER MINIMUM.)
4	シェル SHELL	ステンレス鋼 SUS301(t=0.1) STAINLESS STEEL SUS301(t=0.1)	基板実装部：金めっき (0.02μm MIN.) 下地：ニッケルめっき (0.5μm MIN.) NAIL AREA : GOLD PLATING (0.02 MICROMETER MINIMUM.) UNDERPLATE : NICKEL OVERALL (0.5 MICROMETER MINIMUM.)
5	スプリング SPRING	ピアノ線 SWP	全面：ニッケルめっき (3.0μm MIN.) NICKEL OVERALL (3.0 MICROMETER MINIMUM.)
6	ピン PIN	ステンレス鋼 SUS304 STAINLESS STEEL SUS304	
7	ディテクト レバー DETECT LEVER	燐青銅 C52100(t=0.15) PHOSPOHR BRONZE C52100(t=0.15)	接触部：金めっき (0.2μm MIN.) 基板実装部：金めっき 下地：ニッケルめっき CONTACT AREA : GOLD PLATING (0.2 MICROMETER MINIMUM.) NAIL AREA : GOLD PLATING UNDERPLATE : NICKEL OVERALL
8	ディテクト スイッチ DETECT SWITCH	燐青銅 C52100(t=0.15) PHOSPOHR BRONZE C52100(t=0.15)	接触部：金めっき (0.2μm MIN.) 基板実装部：金めっき 下地：ニッケルめっき CONTACT AREA : GOLD PLATING (0.2 MICROMETER MINIMUM.) NAIL AREA : GOLD PLATING UNDERPLATE : NICKEL OVERALL

GENERAL TOLERANCES: (UNLESS SPECIFIED) 一般公差		THIS DRAWING CONTAINS INFORMATION THAT IS PROPRIETARY TO MOLEX ELECTRONIC TECHNOLOGIES, LLC AND SHOULD NOT BE USED WITHOUT WRITTEN PERMISSION	
10 UNDER 未満	±0.2	mm	SCALE 1:1
10 OVER 以上	30 UNDER 未満	±0.25	CURRENT REV DESC:
30 OVER 以上	±0.3	ANGULAR TOL ± °	EC NO: 635207
ANGLE 角度	±3°	4 PLACES ±	DRWN: YSEKI01 2020/04/02
		3 PLACES ±	CHK'D: MSASAO 2020/04/02
		2 PLACES ±	APPR: YNAITO 2020/04/02
		1 PLACE ±	INITIAL REVISION:
		0 PLACES ±	DRWN: YGOTO 2011/12/13
			APPR: YOITO 2011/12/16
DRAFT WHERE APPLICABLE MUST REMAIN WITHIN DIMENSIONS		THIRD ANGLE PROJECTION	DRAWING
			A3-SIZE
		SERIES	503398
		MATERIAL NUMBER	GENERAL MARKET
		CUSTOMER	3 OF 3
		DOCUMENT NUMBER	SD-503398-003
		DOC TYPE	PSD
		DOC PART	001
		REVISION	A3

10 9 8 7 6 5 4 3 2 1




  
 パターン禁止エリア  
 PATTERN PROHIBITION AREA

 DETECT LEVER MOUNT AREA  
 (Vss : GROUND)

DETECT SWITCH MOUNT AREA

RECOMMENDED  
PCB PATTERN LAYOUT  
 (GENERAL TOLERANCE : ±0.05)

REVISED EC NO: J2017-0374 DRWN: YHONDA01 2017/01/17 CHKD: TASAKAWA 2017/01/17 APPR: IKUSUHARA01 2017/01/17	GENERAL TOLERANCES (UNLESS SPECIFIED)			DIMENSION STYLE MM ONLY		SCALE ---	DESIGN UNITS METRIC	THIRD ANGLE PROJECTION
	0.25 UNDER UNDER ±0.03	0.25 OVER 0.5 UNDER ±0.05	0.5 OVER 1.0 UNDER ±0.1	DRAWN BY YGOTO	DATE 2011/12/13	TITLE MICRO SD CONN. PUSH/PUSH & NORMAL SUPER-SMALL TYPE		
	1.0 OVER 10 UNDER ±0.2	10 OVER 30 UNDER ±0.25	30 OVER ±0.3	CHECKED BY MTOMITA	DATE 2011/12/13	 DOCUMENT NO. SD-503398-003		
	ANGULAR ±1 °	DRAFT WHERE APPLICABLE MUST REMAIN WITHIN DIMENSIONS		APPROVED BY YOITO	DATE 2011/12/16			
A	SEE CHART			THIS DRAWING CONTAINS INFORMATION THAT IS PROPRIETARY TO MOLEX ELECTRONIC TECHNOLOGIES, LLC AND SHOULD NOT BE USED WITHOUT WRITTEN PERMISSION				

9 8 7 6 5 4 3 2 1

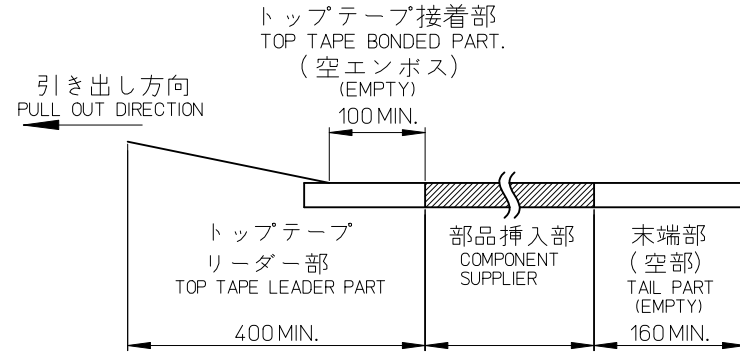
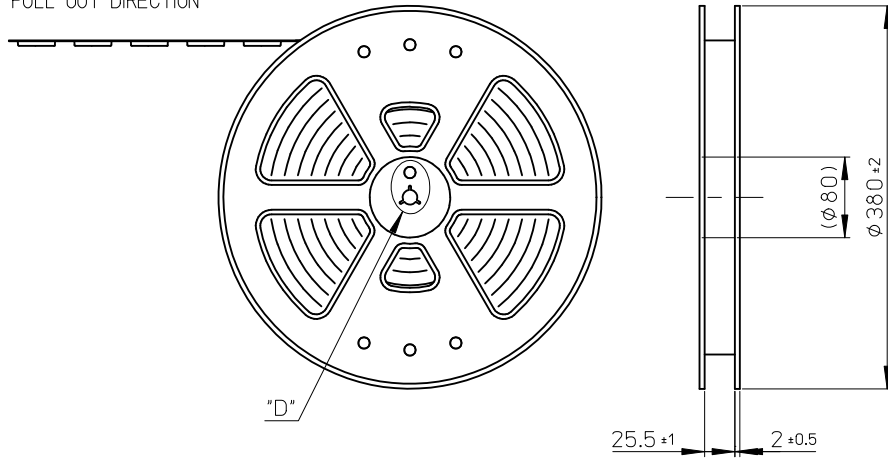
番号 NO.	名称 NAME	材料 MATERIAL	仕上げ(めっき) FINISHES (PLATING)
①	ハウジング HOUSING	液晶ポリマー(LCP)、ガラス充填、UL94 V-0、黒 LIQUID CRYSTAL POLYMER (LCP), GLASS FILLED, UL94 V-0, BLACK ポリプラスチック製 VECTRA S475 VECTRA S475 MADE OF POLYPLASTICS	
②	カムスライダ CAM SLIDER	液晶ポリマー(LCP)、ガラス充填、UL94 V-0、黒 LIQUID CRYSTAL POLYMER (LCP), GLASS FILLED, UL94 V-0, BLACK ポリプラスチック製 VECTRA E130i VECTRA E130i MADE OF POLYPLASTICS	
③	ターミナル TERMINAL	燐青銅 C52100(±0.15) PHOSPHOR BRONZE C52100(±0.15)	接触部: 金めっき (0.5µm MIN.) テール部: 錫めっき (2.0µm MIN.) 下地: ニッケルめっき (1.0µm MIN.) CONTACT AREA: GOLD PLATING (0.5 MICROMETER MINIMUM.) SOLDER TAIL AREA: TIN PLATING (2.0 MICROMETER MINIMUM.) UNDERPLATE: NICKEL OVERALL (1.0 MICROMETER MINIMUM.)
④	シェル SHELL	ステンレス鋼 SUS301(±0.1) STAINLESS STEEL SUS301(±0.1)	基板実装部: 金めっき (0.02µm MIN.) 下地: ニッケルめっき (0.5µm MIN.) NAIL AREA: GOLD PLATING (0.02 MICROMETER MINIMUM.) UNDERPLATE: NICKEL OVERALL (0.5 MICROMETER MINIMUM.)
⑤	スプリング SPRING	ピアノ線 SWP	全面: ニッケルめっき (3.0µm MIN.) NICKEL OVERALL (3.0 MICROMETER MINIMUM.)
⑥	ピン PIN	ステンレス鋼 SUS304 STAINLESS STEEL SUS304	
⑦	ディテクト レバー DETECT LEVER	燐青銅 C52100(±0.15) PHOSPHOR BRONZE C52100(±0.15)	接触部: 金めっき (0.2µm MIN.) 基板実装部: 金めっき 下地: ニッケルめっき CONTACT AREA: GOLD PLATING (0.2 MICROMETER MINIMUM.) NAIL AREA: GOLD PLATING UNDERPLATE: NICKEL OVERALL
⑧	ディテクト スイッチ DETECT SWITCH	燐青銅 C52100(±0.15) PHOSPHOR BRONZE C52100(±0.15)	接触部: 金めっき (0.2µm MIN.) 基板実装部: 金めっき 下地: ニッケルめっき CONTACT AREA: GOLD PLATING (0.2 MICROMETER MINIMUM.) NAIL AREA: GOLD PLATING UNDERPLATE: NICKEL OVERALL

REVISED EC NO: J2017-0374 DRWN: HONDA01 2017/01/17 CHKD: TASAKAWA 2017/01/17 APPR: KUSUHARA01 2017/01/17	GENERAL TOLERANCES (UNLESS SPECIFIED)			DIMENSION STYLE MM ONLY		SCALE 1:1	DESIGN UNITS METRIC	THIRD ANGLE PROJECTION
	<del>0.25 UNDER UNDER ±0.03</del>			DRAWN BY DATE		TITLE		
	<del>0.25 OVER 0.5 UNDER ±0.05</del>			YGOTO 2011/12/13		MICRO SD CONN. PUSH/PUSH & NORMAL SUPER-SMALL TYPE <b>molex</b>		
	<del>0.5 OVER 1.0 UNDER ±0.1</del>			CHECKED BY DATE				
	<del>1.0 OVER 10 UNDER ±0.2</del>			MTOMITA 2011/12/13		SD-503398-003 SHEET NO. 3 OF 3		
	<del>10 OVER 30 UNDER ±0.25</del>			APPROVED BY DATE				
	30 OVER ±0.3			YOITO 2011/12/16		DOCUMENT NO.		
	ANGULAR ±1 °			MATERIAL NO.		SEE CHART		
	DRAFT WHERE APPLICABLE MUST REMAIN WITHIN DIMENSIONS			SIZE A3		THIS DRAWING CONTAINS INFORMATION THAT IS PROPRIETARY TO MOLEX ELECTRONIC TECHNOLOGIES, LLC AND SHOULD NOT BE USED WITHOUT WRITTEN PERMISSION		
	A							

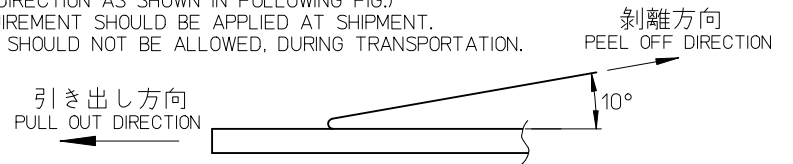
NOTES

- 製品詳細寸法については、SD 図面を参照下さい。  
RE DETAILED DIMENSION, SEE SALES DRAWING.
- 梱包数量: 2400個/リール  
NUMBER OF CONNECTORS: 2400 PCS/REEL.
- リードテープ長さ LEAD TAPE LENGTH.

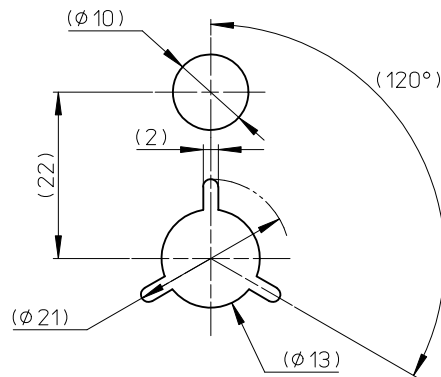
引き出し方向  
PULL OUT DIRECTION



- トップテープの剥離強度: JIS C0806-3に準拠(剥離方向は下図参照)  
尚、本規格値は出荷時に適用。(但し、輸送時に剥離が発生しないこと。)  
PEELING OFF FORCE OF TOP TAPE: BASED UPON JIS C0806-3  
(PEELING DIRECTION AS SHOWN IN FOLLOWING FIG.)  
THIS REQUIREMENT SHOULD BE APPLIED AT SHIPMENT.  
PEEL OFF SHOULD NOT BE ALLOWED, DURING TRANSPORTATION.



- 材料 MATERIAL  
キャリアテープ (CARRIER TAPE): ポリスチレン (POLYSTYRENE)  
トップテープ (TOP TAPE): PET, PE, PEF  
リール (REEL): ポリスチレン (PS) <リサイクル材含む>  
POLYSTYRENE (PS) <RECYCLE MATERIAL CONTAINED>

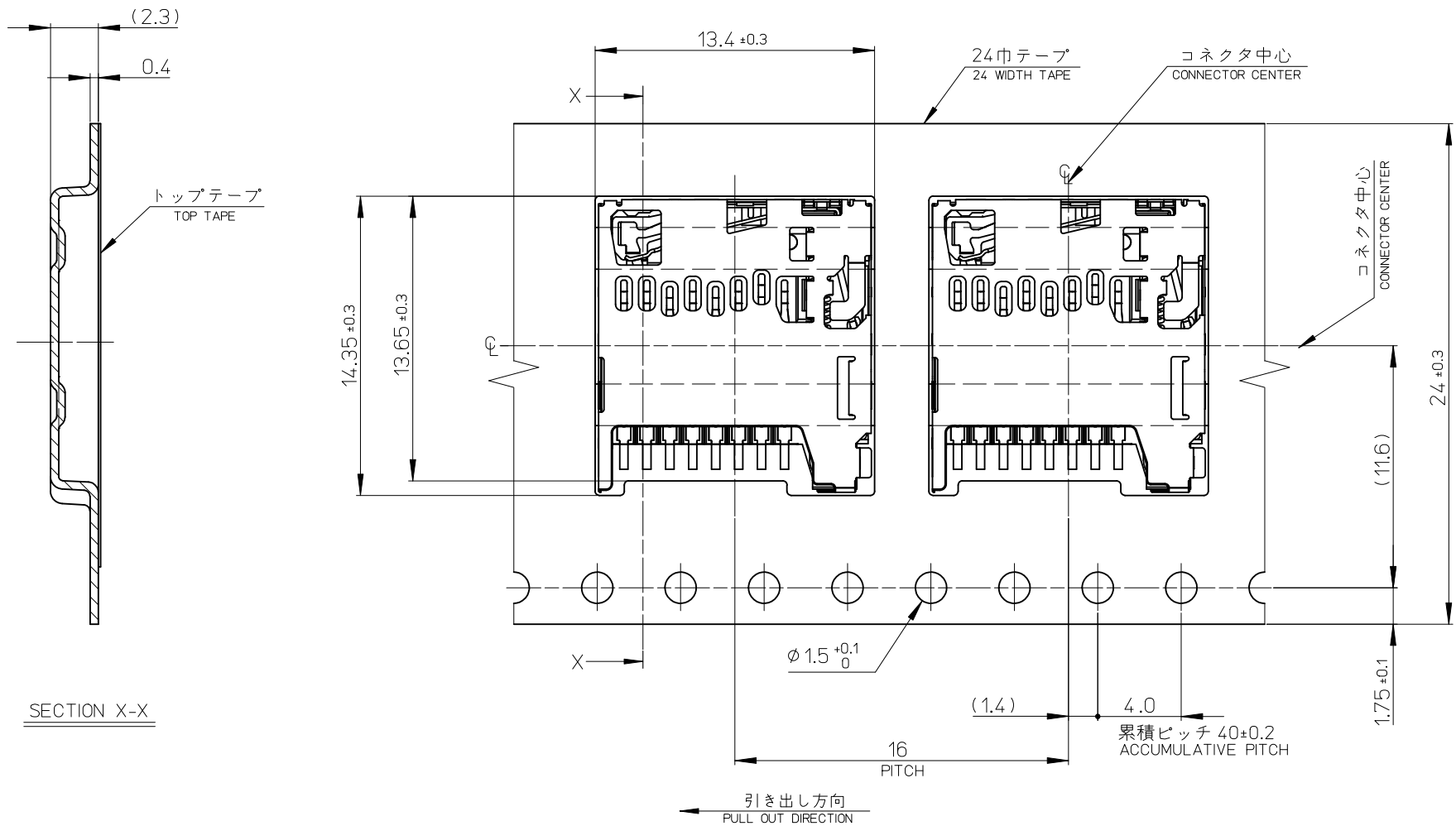


DETAIL "D"

503398-1892	8
EMBOSSED PACKAGE	極数
オーダー番号 ORDER NO.	CIRCUITS
CONNECTOR SERIES No. 503398-1821	

RELEASED EC NO.: J2012-0534 DRWN: YGOTO 2011/12/13 CHKD: MTOMITA 2011/12/13 APPR: YOITO 2011/12/16	GENERAL TOLERANCES (UNLESS SPECIFIED)		DIMENSION STYLE MM ONLY		SCALE 1:1	DESIGN UNITS METRIC	THIRD ANGLE PROJECTION
	10 UNDER	±0.2	DRAWN BY YGOTO	DATE 2011/12/13	TITLE EMBOSSED TAPE PACKAGE FOR 503398-18**		
	10 OVER 30 UNDER	±0.25	CHECKED BY MTOMITA	DATE 2011/12/13	MATERIAL NO. SEE CHART		
	30 OVER	±0.3	APPROVED BY YOITO	DATE 2011/12/16	DOCUMENT NO. SD-503398-004		
	ANGULAR ±1 °	DRAFT WHERE APPLICABLE MUST REMAIN WITHIN DIMENSIONS		SIZE A3	SHEET NO. 1 OF 2		

10 9 8 7 6 5 4 3 2 1



<b>RELEASED</b> EC NO: J2012-0534 DRWN: YGOTO 2011/12/13 CHKD: MTOMITA 2011/12/13 APPR: YOITO 2011/12/16 REV: 0	GENERAL TOLERANCES (UNLESS SPECIFIED)		DIMENSION STYLE	SCALE	DESIGN UNITS	THIRD ANGLE PROJECTION
			MM ONLY	---	METRIC	
	10 UNDER	± 0.2	DRAWN BY	DATE	TITLE	
	10 OVER 30 UNDER	± 0.25	YGOTO	2011/12/13	EMBOSSED TAPE PACKAGE FOR 503398-18**	
	30 OVER	± 0.3	CHECKED BY	DATE		
ANGULAR ± 1 °		MTOMITA	2011/12/13	MOLEX INCORPORATED		
DRAFT WHERE APPLICABLE MUST REMAIN WITHIN DIMENSIONS		YOITO	2011/12/16	MATERIAL NO.	DOCUMENT NO.	SHEET NO.
		SEE CHART			SD-503398-004	2 OF 2
		THIS DRAWING CONTAINS INFORMATION THAT IS PROPRIETARY TO MOLEX INCORPORATED AND SHOULD NOT BE USED WITHOUT WRITTEN PERMISSION				