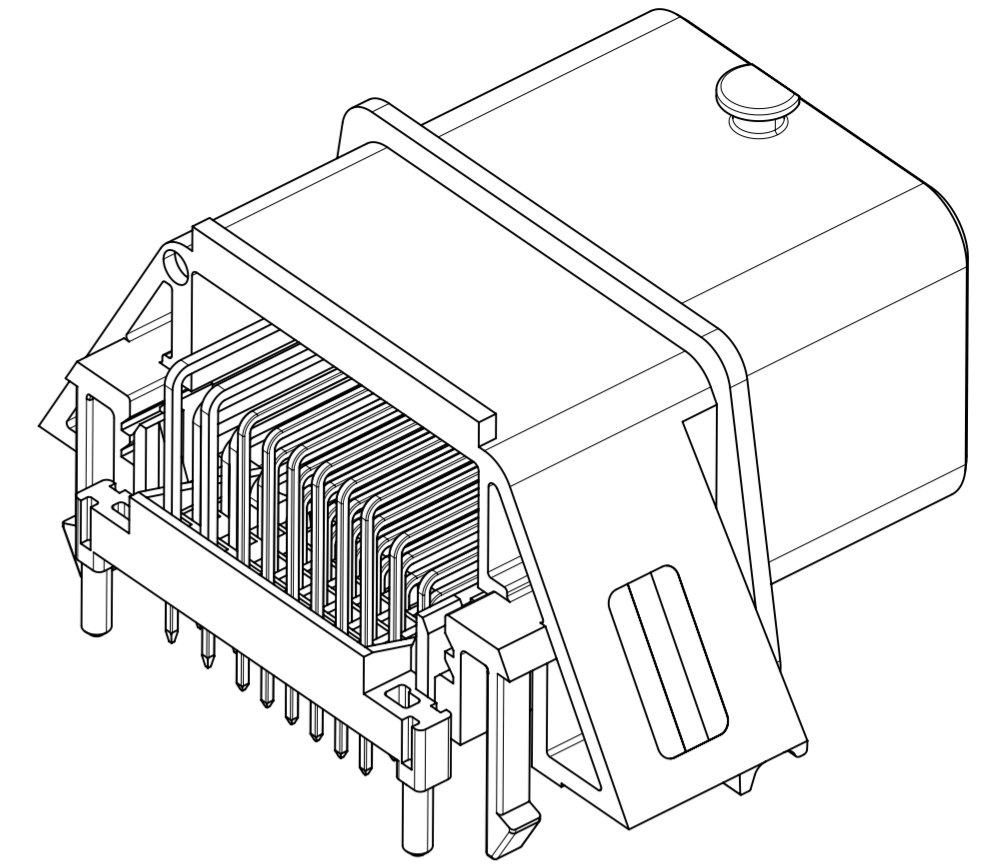


NOTES

- 1 - GENERAL TOLERANCE ACC. DIN 16901 GROUP 130
- 2 - SEALING AREA (NO BURR, SCRATCHES, CONTAMINATION, SHRINK DEPENDENT WARPAGE AND TOOL SPLITTING LINES ALLOWED)
- 3 - MATERIAL MARKING
ADDITIONAL MARKING POSSIBLE
e.g.: - CAVITY NO.
- MATERIAL NO.
- VERSION NO.
- TRACEABILITY MARKING (INK-JET OR LASERMARKING (SPECIAL PLASTIC MATERIAL NEEDED))
- etc.
- 4 - TOOLING SPLITTING LINES FOR AIR VENT (2x)
- 5 - COLOUR CODING ON INTERFACE (BROWN AND BLUE)
- 6 - MARKING FOR HARNESS DIRECTION: APPLY THERMAL RIBBON
- 7 - MATES WITH CMC CONNECTOR 32CKT
MATERIAL NO's:
RIGHT WIRE OUTPUT BROWN CODING 643193219
RIGHT WIRE OUTPUT BLACK CODING 643193211
RIGHT WIRE OUTPUT BLUE CODING 643193216
LEFT WIRE OUTPUT BROWN CODING 643191219
LEFT WIRE OUTPUT BLACK CODING 643191211
LEFT WIRE OUTPUT BLUE CODING 643191216
- 8 - THE PRODUCT INTERFACE INFORMATION SEE SD-98644-006



3D-VIEW

TECHNICAL PERFORMANCE CHARACTERISTICS

LOCKING FEATURES RETENTION FORCE AVERAGE: >260N
THE LOWEST RETENTION FORCE VALUE >240N

PIN RETENTION AND TRACTION FORCES:

PIN	SIZE [mm]	RETENTION FORCES
PIN 0.635	0.635 x 0.635	≥ 30N
PIN 1.5	1.5 x 0.8	≥ 60N

SOLDERABILITY:
TESTING ACC. DIN IEC 60068-2-20 WITHOUT PRE-AGING

ALL FURTHER TECHNICAL PERFORMANCE CHARACTERISTICS
ARE SHOWN IN PRODUCTS AND TEST SPECIFICATION OF THE
RELEVANT FEMALE CONNECTORS: PS-64319-001

BILL OF MATERIAL

ITEM	DESCRIPTION	RAW MATERIAL	BARRIER (OVERALL)	FINISH (OVERALL)	UNIT	AMOUNT
10	Pin 1.5 Row 4	CuZn30	Ni 1.3-3.8µm	Sn 2-4µm	PIECE	2
9	Pin 1.5 Row 3				PIECE	2
8	Pin 1.5 Row 2				PIECE	2
7	Pin 1.5 Row 1				PIECE	2
6	Pin 0.64 Row 4				PIECE	6
5	Pin 0.64 Row 3				PIECE	6
4	Pin 0.64 Row 2				PIECE	6
3	Pin 0.64 Row 1	PIECE	6			
2	GUIDE PLATE	PBT GF30-V0 BLK	---	---	PIECE	1
1	HOUSING	PBT GF30-V0 BLK	---	---	PIECE	1
			PLATING [µm]			

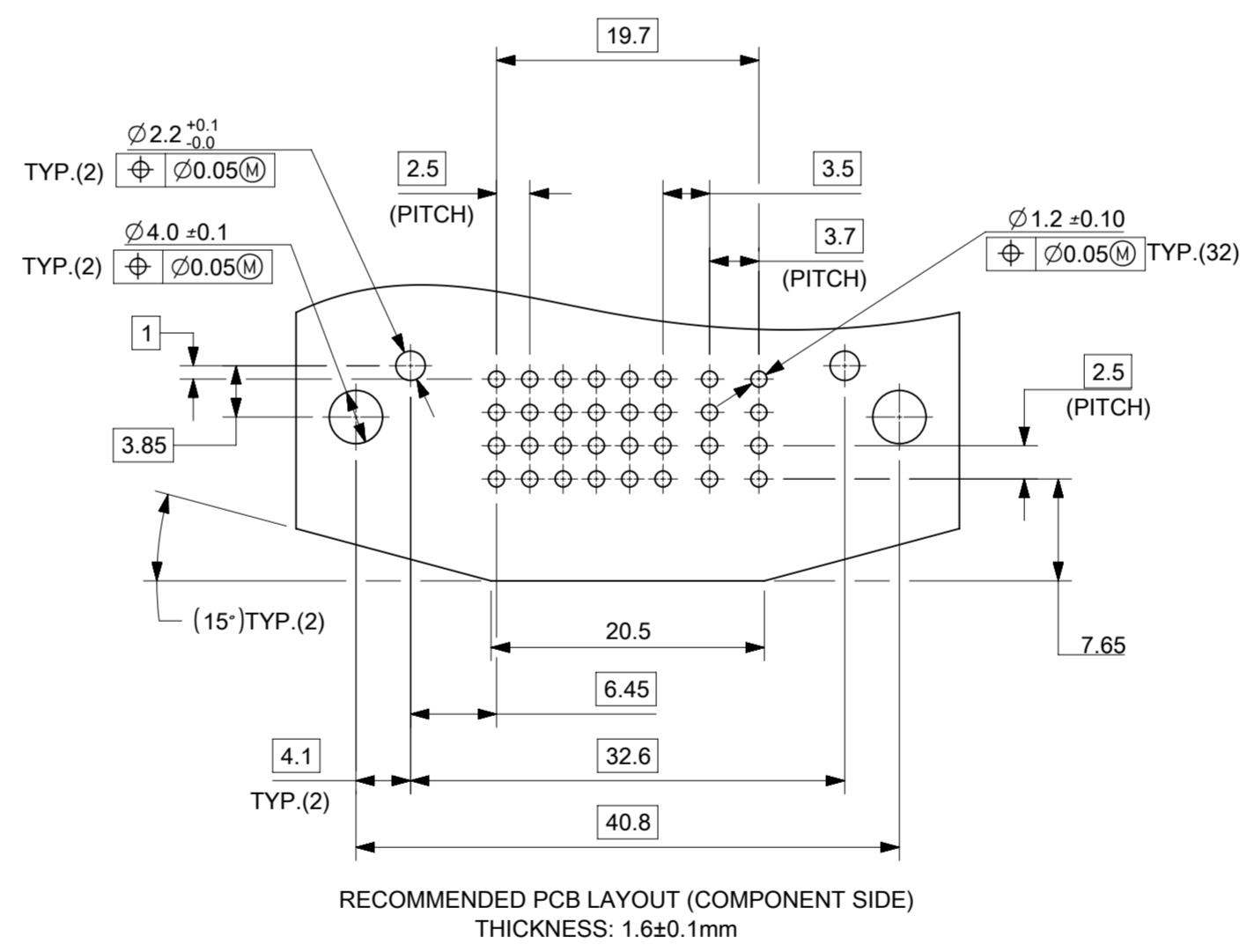
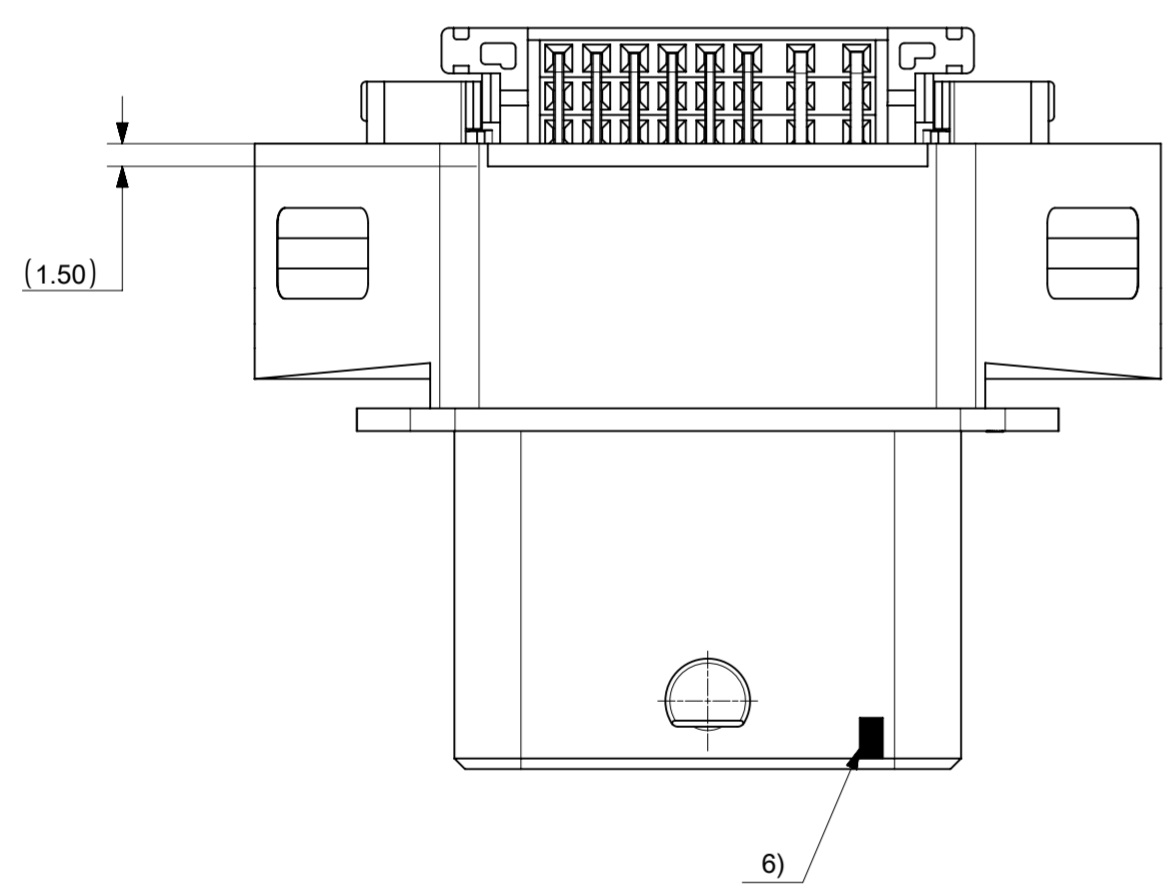
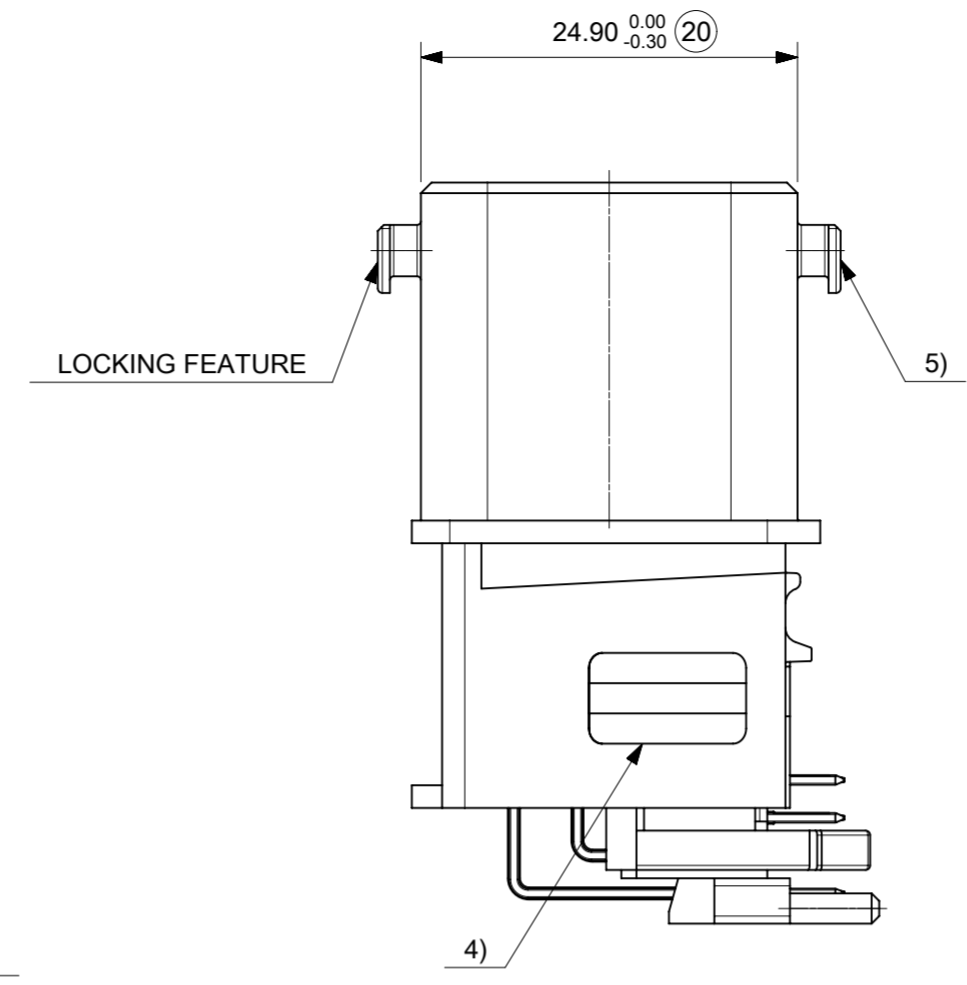
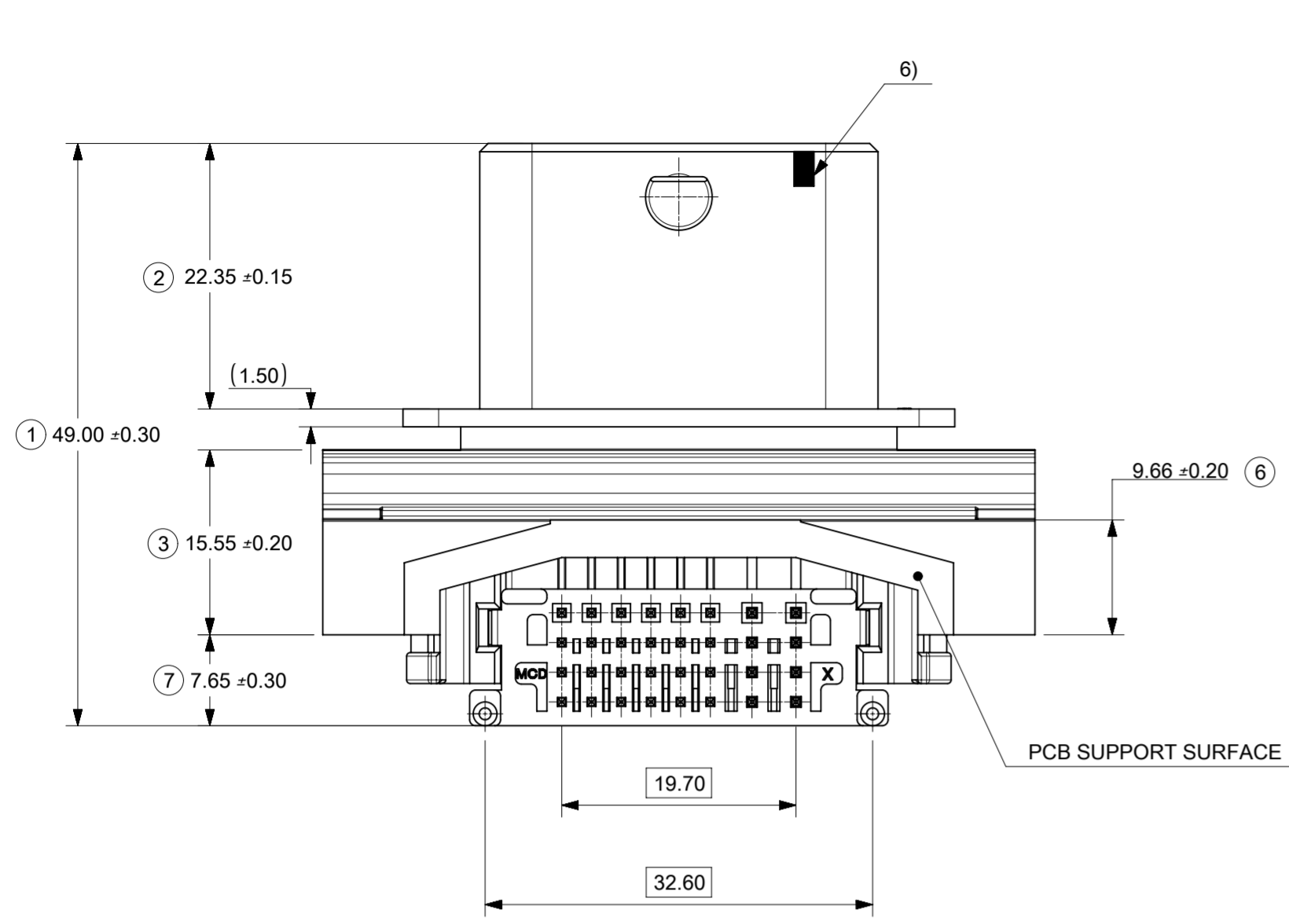
TOOLED PART LIST

DESCRIPTION	MOLEX PART NUMBER	CODING COLOR	WEIGHT MEASURED
CMC HDR ASSY 32CKT	0643340100	BLACK	28.3g
	0643340300	BROWN	
	0643340500	BLUE	

INSPECTION BALLOON NUMBER LOG
PER DRAWING REVISION: C
LAST BALLOON NUMBER USED: 26
ADDED BALLOON NUMBER USED:
REMOVED BALLOON NUMBER: 4, 5, 10

THIS DRAWING CONTAINS INFORMATION THAT IS PROPRIETARY TO MOLEX ELECTRONIC TECHNOLOGIES, LLC AND SHOULD NOT BE USED WITHOUT WRITTEN PERMISSION

DIMENSION UNITS	SCALE	CURRENT REV DESC: REFER TO REVISION CHANGE LOG FOR DETAILS IN G-2 OF SHEET 1	molex		
mm	2:1				
EC NO: 629431 DRWN: HKANG03 2019/12/02 CHK'D: HWBAI 2020/02/12 APPR: SLAFAURE 2020/02/18			CMC HEADER 32CKT ASSEMBLED SOLDER VERSION		
INITIAL REVISION: DRWN: TLUO 2009/04/15 APPR: GGLEE 2009/05/11			PRODUCT CUSTOMER DRAWING		
DOCUMENT NUMBER		DOC TYPE	DOC PART	REVISION	
SD-64334-100		PSD	005	D	
DRAFT WHERE APPLICABLE MUST REMAIN WITHIN DIMENSIONS	THIRD ANGLE PROJECTION	DRAWING	SERIES	MATERIAL NUMBER	CUSTOMER
		A2-SIZE	64334	SEE TABLE	GENERAL MARKET
		SHEET NUMBER		1 OF 2	



NOTES:

1. THE VIEW "RECOMMENDED PCB LAYOUT" SHOWS THE SECTION OF THE HOLE POSITION CONCERNING THE HEADER-PIN, GUIDING AND LOCKING LAYOUT.
2. THIS VIEW OF THE HOLE PATTERN DOESN'T POINT TO THE ABSOLUTE POSITION ON THE PCB.
3. THE HOLE PATTERN IS COPY OF THE HEADER LAYOUT.
4. PLEASE COMBINE THE TWO ELEMENTS (HEADER AND VIEW OF THE HOLE PATTERN) TO CREATE PCB LAYOUT.

D	629431	1. UPDATED VIEWS FROM PAP PRE-LOCK TO FINAL-LOCK 2. UPDATED DIM 12 FROM 4.65 TO 6.80 DUE TO GUIDE PLATE RELOCATION 3. CHANGED LETTERS FROM LOWER CASE TO CAPITAL 4. REMOVED BALLOON NUMBER FOR BASIC DIMENSIONS 5. ADDED INSPECTION BALLOON NUMBER LOG 6. UPDATED NOTES 6 FROM WHITE INK TO THERMAL RIBBON
C	619506	1) REMOVE PAGES OF INTERFACE DRAWING SD-98644-006 2) REMOVE QA COUNT FROM TITLE BLOCK 3) REMOVE GERMAN TEXT ON PAGES SHEET 1 4) UPDATE "NOTES" SEE REVISION SYMBOL C FOR DETAIL 5) ADD BLUE CODING "TOOLED PART LIST" TABLE SHEET 2 6) ADD REVISION LOG
B1	GCA2011-0026	UPDATE TEST SPEC OF SOLDERABILITY
B	GCA2011-0001	UPDATE NEW REVISION INTERFACE DRAWING
A1	GCA2009-0059	1) ADD DIM 6, 7, 8 2) CORRECT HEADER WEIGHT 3) ADD PCB LAYOUT AND NOTES
A	610245	VOIDED BY ECTR MIGRATION TEAM DUE TO SHEET NUMBER CHANGED
4	GCA2009-0033	ADD NOTES 7: MATES WITH CMC CONNECTOR 32CKT
3	G2009-0257	1) CHANGE WRITTEN FAILURE OF PS: OLD: PS-64319-002 NEW: PS-64319-001 2) ADD AND ADDITIONA PAGE CHANGE FRAME SIZE OF PAGE 1, 2, 3, 4 AND 5 FROM DIN A1 INTO DIN A2 3) CHANGE TITLE: OLD: CMC HEADER ASSY 32CKT./HARNESS DIRECTION RIGHT NEW: CMC HEADER 32CKT./ASSEMBLED/ SOLDER VERSION
2	G2009-0220	CHANGE MATERIAL DESCRIPTION ON PART
1	G2009-0081	INITIAL RELEASE
REVISION	EC#	DESCRIPTIONS

MODIFICATION LOG

THIS DRAWING CONTAINS INFORMATION THAT IS PROPRIETARY TO MOLEX ELECTRONIC TECHNOLOGIES, LLC AND SHOULD NOT BE USED WITHOUT WRITTEN PERMISSION

DIMENSION UNITS	SCALE	CURRENT REV DESC: REFER TO REVISION CHANGE LOG FOR DETAILS IN G-2 OF SHEET 1
mm	2:1	
EC NO: 629431		DRWN: HKANG03 2019/12/02
CHK'D: HWBAI		2020/02/12
APPR: SLAFAURE		2020/02/18
INITIAL REVISION:		
DRWN: TLUO		2009/04/15
APPR: GGLEE		2009/05/11
DRAFT WHERE APPLICABLE MUST REMAIN WITHIN DIMENSIONS	THIRD ANGLE PROJECTION	DRAWING
		A2-SIZE
		SERIES
		64334
		MATERIAL NUMBER
		SEE TABLE
		CUSTOMER
		GENERAL MARKET
		SHEET NUMBER
		2 OF 2

molex

CMC HEADER 32CKT
ASSEMBLED SOLDER VERSION

PRODUCT CUSTOMER DRAWING

DOCUMENT NUMBER	DOC TYPE	DOC PART	REVISION
SD-64334-100	PSD	005	D