

**PLEASE CHECK WWW.MOLEX.COM FOR LATEST PART INFORMATION**

**Part Number:** [0731740040](#)  
**Status:** **Active**  
**Overview:** DIN 1.0/2.3 Connector and Backplane System  
**Description:** 50 Ohms, DIN 1.0/2.3 / DIN 41626, Right-Angle, Jack, Tray

**Documents:**

<a href="#">3D Model</a>	<a href="#">Drawing (PDF)</a>
<a href="#">3D Model (PDF)</a>	<a href="#">RoHS Certificate of Compliance (PDF)</a>

**General**

Product Family	RF/Coax Connectors
Series	73174
Overview	<u>DIN 1.0/2.3 Connector and Backplane System</u>
Product Name	DIN 1.0/2.3, DIN 41626
Style	PCB
Type	Subminiature
UPC	822350561877
Wire/Cable Type	N/A

**Physical**

Gender	Jack
Keying to Mating Part	None
Net Weight	2.379/g
Orientation	Right Angle
PCB Mounting	Through Hole
Packaging Type	Tray
Panel Mount	No
Panel Mount Method	N/A
Reverse Polar	No

**Electrical**

Frequency	10 GHz
Impedance	50Ω
Power / Voltage	VOLTAGE: 500 Vrms@Sea Level

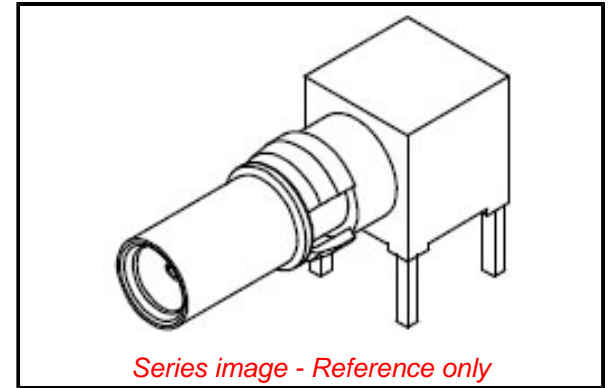
**Solder Process Data**

Duration at Max. Process Temperature (seconds)	010
Lead-freeProcess Capability	SMC&WAVE
Max. Cycles at Max. Process Temperature	002
Process Temperature max. C	260

**Material Info**

**Reference - Drawing Numbers**

Sales Drawing	SD-73174-004-000
---------------	------------------



*Series image - Reference only*

**EU ELV**

**Not Relevant**

**EU RoHS**

**Compliant with Exemption 6(c)**

**REACH SVHC**

Contained Per -  
D(2020)9139-DC (19  
Jan 2021)  
lead

**Halogen-Free**

**Status**

**Low-Halogen**

For more information, please visit [Contact US](#)

China ROHS

ELV

RoHS Phthalates

**China RoHS**

50 Image

Not Relevant

Not Contained

**Search Parts in this Series**

[73174 Series](#)

**PLEASE CHECK WWW.MOLEX.COM FOR LATEST PART INFORMATION**