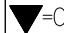
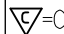


MATERIALS AND FINISHES

SEE SD-73391-0060

P/N: 73251-3140: THIS IS P/N: 73391-0060 PLACED IN A SINGLE BAG

CHG: NEW RELEASE
 EC NO: URF2007-0287
 DRW: TELAHERTY 2007/02/08
 CHKD: SHAH 2007/02/08
 APPR: WIENER 2007/02/08

QUALITY SYMBOLS
 = 0
 = 0

GENERAL TOLERANCES (UNLESS SPECIFIED)



	mm	INCH
4 PLACES	± .---	± .---
3 PLACES	± .---	± .---
2 PLACES	± .---	± .---
1 PLACE	± .---	± .---
ANGULAR ± .---°		

DRAFT WHERE APPLICABLE
 MUST REMAIN
 WITHIN DIMENSIONS

DIMENSION STYLE
MM/IN

DRAWN BY	DATE
TEF	2007/01/24
CHECKED BY	DATE
SSS	2007/01/24
APPROVED BY	DATE
JDW	2007/01/24

MATERIAL NO.
732513140

SCALE	DESIGN UNITS	THIRD ANGLE PROJECTION
	METRIC	
TITLE SMA JACK, VERTICAL PCB SMA-J/PCB		
 MOLEX INCORPORATED		SHEET NO. 1 OF 1
DOCUMENT NO. SD-73251-314		

THIS DRAWING CONTAINS INFORMATION THAT IS PROPRIETARY TO MOLEX INCORPORATED AND SHOULD NOT BE USED WITHOUT WRITTEN PERMISSION

MATERIALS AND FINISHES

SEE SD-73391-0060


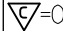
P/N: 73251-3140: THIS IS P/N: 73391-0060 PLACED IN A SINGLE BAG

CHG: NEW RELEASE

EC NO: URF2007-0287
 DRW: TELAHERTY 2007/02/08
 CHKD: SHAH 2007/02/08
 APPR: WIENER 2007/02/08

REV: A

DESCRIPTION

QUALITY SYMBOLS
 = 0
 = 0

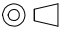
GENERAL TOLERANCES (UNLESS SPECIFIED)

	mm	INCH
4 PLACES	± .---	± .---
3 PLACES	± .---	± .---
2 PLACES	± .---	± .---
1 PLACE	± .---	± .---
ANGULAR ± .---°		

DRAFT WHERE APPLICABLE MUST REMAIN WITHIN DIMENSIONS

DIMENSION STYLE	
MM/IN	
DRAWN BY	DATE
TEF	2007/01/24
CHECKED BY	DATE
SSS	2007/01/24
APPROVED BY	DATE
JDW	2007/01/24

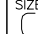
MATERIAL NO. **732513140**

SCALE	DESIGN UNITS	THIRD ANGLE PROJECTION
	METRIC	

TITLE **SMA JACK, VERTICAL PCB SMA-J/PCB**

 **MOLEX INCORPORATED**

DOCUMENT NO. **SD-73251-314** SHEET NO. **1 OF 1**

SIZE  THIS DRAWING CONTAINS INFORMATION THAT IS PROPRIETARY TO MOLEX INCORPORATED AND SHOULD NOT BE USED WITHOUT WRITTEN PERMISSION

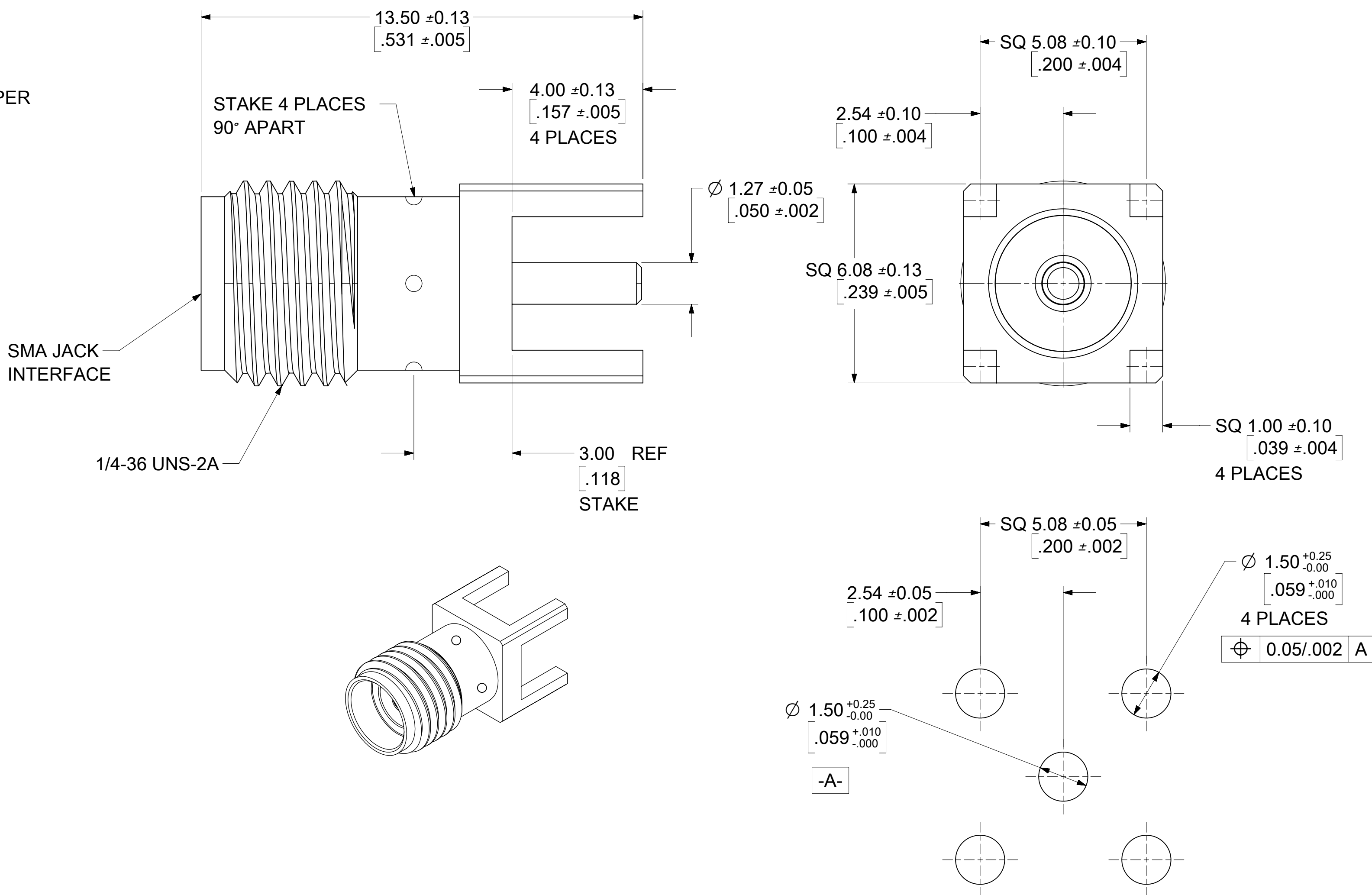
MATERIALS AND FINISHES

BODY BRASS
PLATED GOLD

CENTER CONTACT BERYLLIUM COPPER
PLATED GOLD

INSULATOR TEFLON

WILL WITHSTAND REFLOW
TEMPERATURE OF
265°C ± 5°C



73251-3141	73391-0060 BY TRAY 20 CAVITIES
73251-3140	73391-0060 SINGLE BAG
73391-0060	BY TRAY 80 CAVITIES
PART NO.	DESCRIPTION

PS-89675-3460	ELEC/MECH PERFORMANCE
SPECIFICATION	DESCRIPTION

FUNCTIONAL SYMBOLS	THIS DRAWING CONTAINS INFORMATION THAT IS PROPRIETARY TO MOLEX ELECTRONIC TECHNOLOGIES, LLC AND SHOULD NOT BE USED WITHOUT WRITTEN PERMISSION		
∇ _A = 0	DIMENSION UNITS	SCALE	CURRENT REV DESC: EWR-14025-A ADD STAKE 4 PLACES AND 3.00 REF DIMENSION
∇ _E = 0	HYBRID	1:1	
∇ _P = 0	GENERAL TOLERANCES (UNLESS SPECIFIED)		
	ANGULAR TOL ± 2.0°		EC NO: 645031
	4 PLACES	±	DRWN: JSU18 2020/09/08
	3 PLACES	±	CHK'D: YCHENG 2020/09/10
	2 PLACES	±	APPR: YCHENG 2020/09/10
	1 PLACE	±	INITIAL REVISION:
	0 PLACES	±	DRWN: TFLAHERTY 2007/02/08
	DRAFT WHERE APPLICABLE MUST REMAIN WITHIN DIMENSIONS		APPR: GHUBBARD 1993/02/08
	THIRD ANGLE PROJECTION	DRAWING	SERIES
		C-SIZE	73391
		MATERIAL NUMBER	CUSTOMER
		SD-73391-0060	GENERAL MARKET
		DOC TYPE	DOC PART
		PSD	001
		REVISION	C8
		SHEET NUMBER	1 OF 2

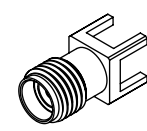
molex

SMA JACK STR
PCB TH SMA-J/PCB

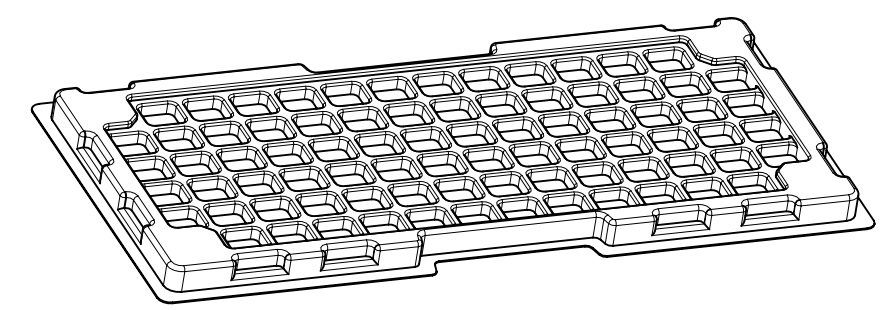
PRODUCT CUSTOMER DRAWING

DOCUMENT NUMBER: SD-73391-0060
DOC TYPE: PSD
DOC PART: 001
REVISION: C8

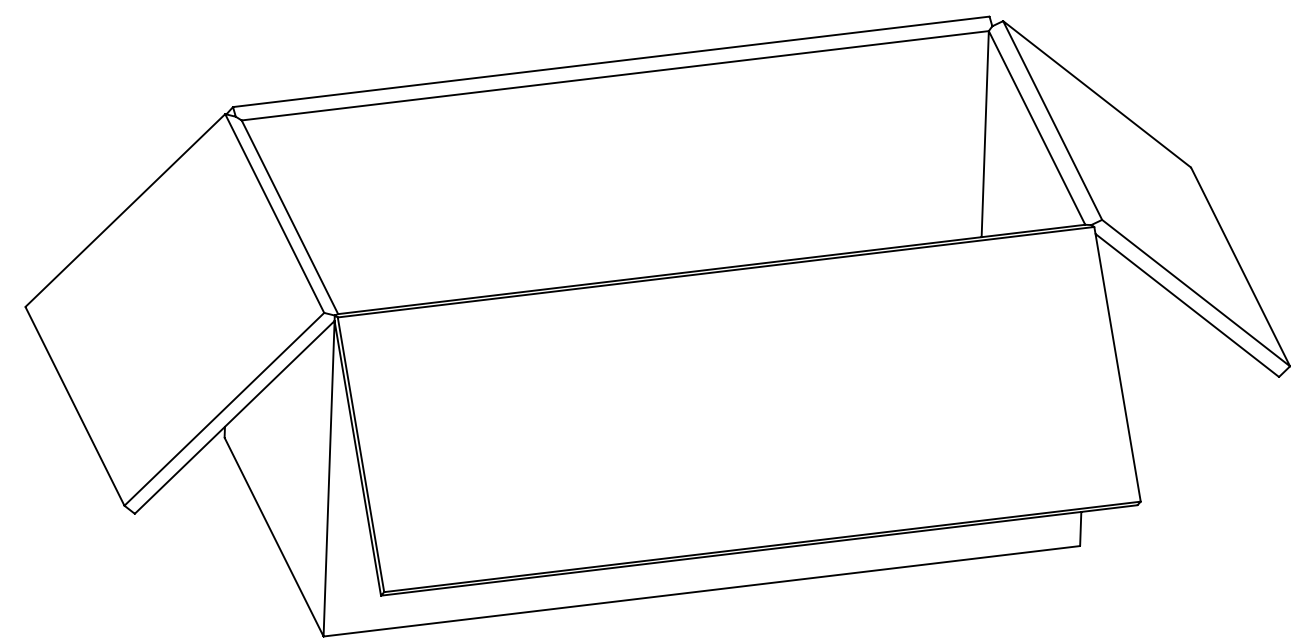
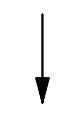
MATERIAL NUMBER: GENERAL MARKET
CUSTOMER: GENERAL MARKET
SHEET NUMBER: 1 OF 2



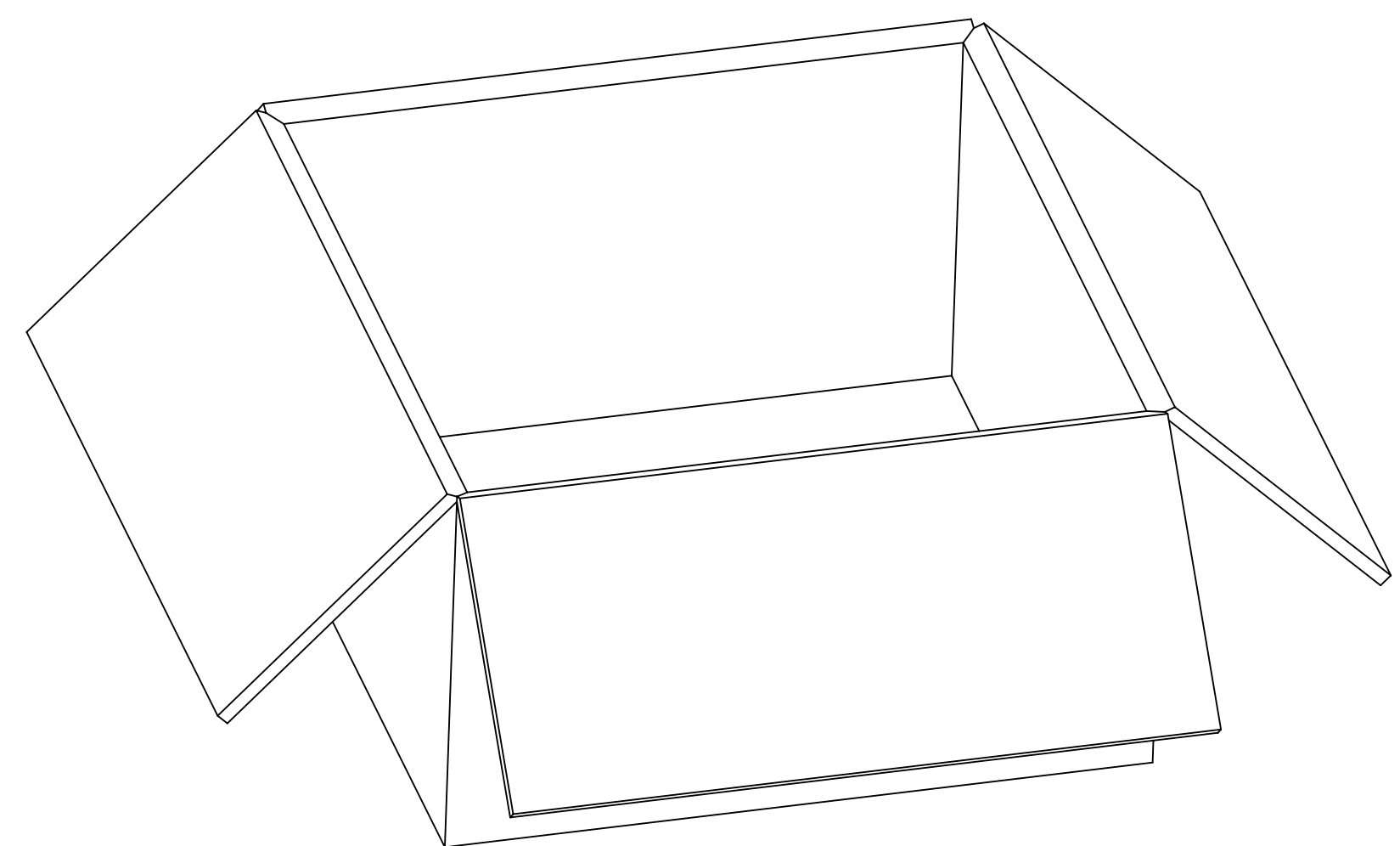
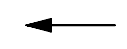
P/N: 73391-0060



80 SETS PER TRAY
P/N: 89707-0190



1600 SETS PER INNER
CARTON BOX
P/N: 96707-0001



3200 SETS PER OUTER
CARTON BOX
P/N: 96708-0005

FUNCTIONAL SYMBOLS $\nabla_A = 0$ $\nabla_C = 0$ $\nabla_P = 0$ DIVISIONAL SYMBOLS 4 PLACES ± 3 PLACES ± 2 PLACES ± 1 PLACE ± 0 PLACES ±	THIS DRAWING CONTAINS INFORMATION THAT IS PROPRIETARY TO MOLEX ELECTRONIC TECHNOLOGIES, LLC AND SHOULD NOT BE USED WITHOUT WRITTEN PERMISSION												
	DIMENSION UNITS	SCALE	CURRENT REV DESC: EWR-14025-A ADD STAKE 4 PLACES AND 3.00 REF DIMENSION										
	HYBRID	1:5	GENERAL TOLERANCES (UNLESS SPECIFIED)										
	ANGULAR TOL ± 2.0°		EC NO: 645031		DRWN: JSU18		2020/09/08		SMA JACK STR PCB TH SMA-J/PCB				
4 PLACES ±		CHK'D: YCHENG		APPR: YCHENG		2020/09/10		PRODUCT CUSTOMER DRAWING					
3 PLACES ±		INITIAL REVISION:		DRWN: TFLAHERTY		2007/02/08		DOCUMENT NUMBER		DOC TYPE	DOC PART	REVISION	
2 PLACES ±		APPR: GHUBBARD		1993/02/08		SD-73391-0060		PSD	001	C8			
1 PLACE ±		DRAFT WHERE APPLICABLE MUST REMAIN WITHIN DIMENSIONS		THIRD ANGLE PROJECTION		DRAWING		SERIES		MATERIAL NUMBER		CUSTOMER	SHEET NUMBER
0 PLACES ±				C-SIZE		73391		GENERAL MARKET		2 OF 2			