

**PLEASE CHECK WWW.MOLEX.COM FOR LATEST PART INFORMATION**

**Part Number:** [0732760191](#)  
**Status:** **Active**  
**Overview:** Type N RF Connectors  
**Description:** 50 Ohms, N Right-Angle Plug, Crimp, RG-141, RG-303 and RG-58 Cable, One Piece Per Bag

**Documents:**

[Drawing \(PDF\)](#) [RoHS Certificate of Compliance \(PDF\)](#)

**General**

Product Family	RF/Coax Connectors
Series	<a href="#">73276</a>
Overview	<a href="#">Type N RF Connectors</a>
Product Name	N
Style	Cable
Type	Medium
UPC	884982654952
Wire/Cable Type	RG-58

**Physical**

Gender	Plug
Keying to Mating Part	None
Orientation	Right Angle
PCB Mounting	N/A
Packaging Type	Bag
Panel Mount	No
Panel Mount Method	N/A
Reverse Polar	No

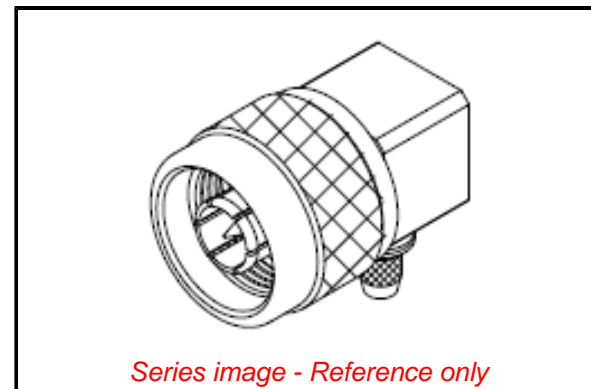
**Electrical**

Frequency	11 GHz
Impedance	50Ω
Power / Voltage	VOLTAGE: 1000 Vrms@Sea Level

**Material Info**

**Reference - Drawing Numbers**

Sales Drawing	SD-73276-019
---------------	--------------



*Series image - Reference only*

**EU ELV**

**Not Reviewed**

**EU RoHS**

**Not Reviewed**

**REACH SVHC**

Not Reviewed

**Halogen-Free**

**Status**

**Not Reviewed**

For more information, please visit [Contact US](#)

China ROHS

Not Reviewed

ELV

Not Reviewed

RoHS Phthalates

Not Reviewed

**Search Parts in this Series**

[73276 Series](#)