

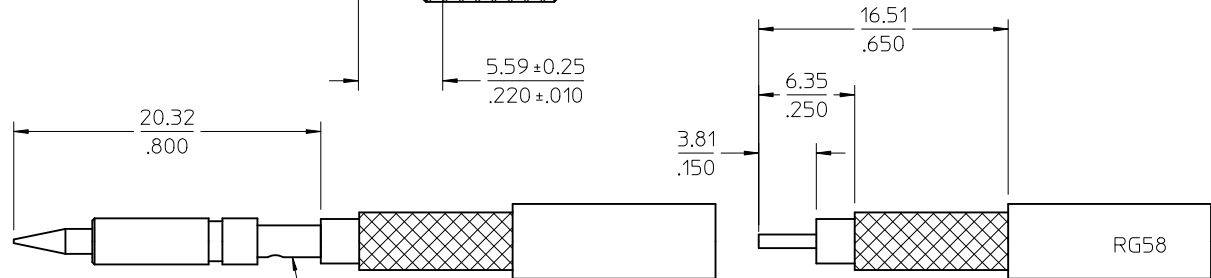
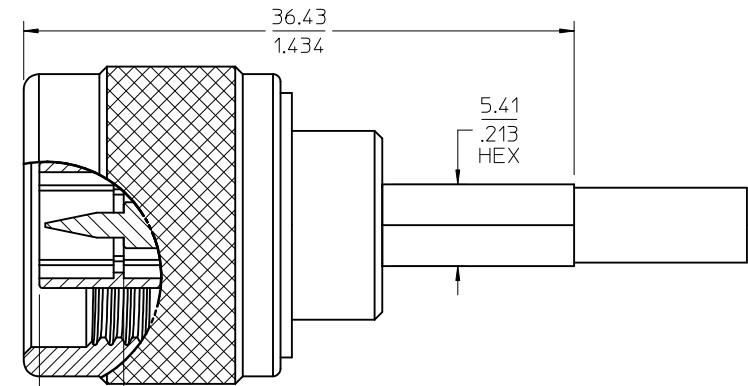
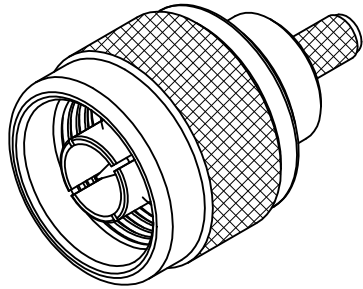
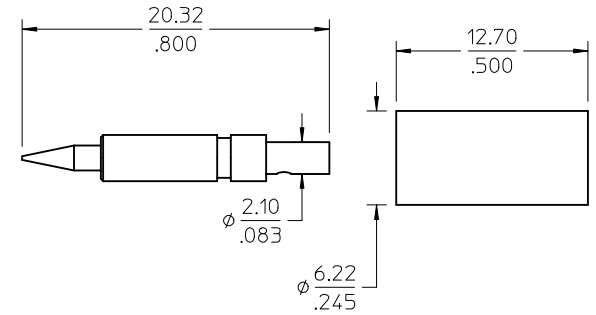
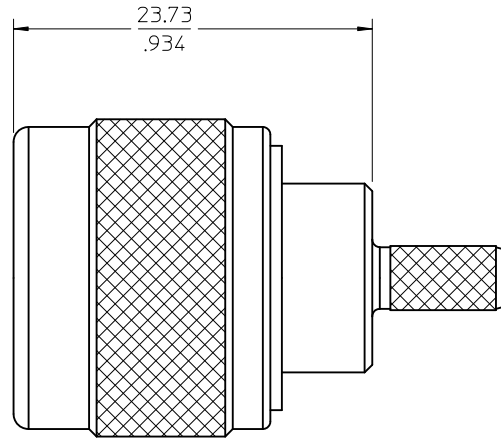
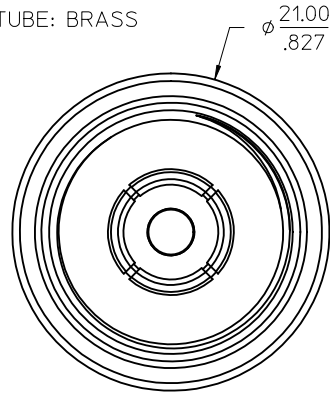
MATERIALS AND FINISHES

BODY, OUTER CONTACT, C'NUT, CRIMP TUBE: BRASS  
PLATED NICKEL

CONTACT: BRASS  
PLATED GOLD

GASKET: SILICONE RUBBER

SNAP RING: PHOSPHOR BRONZE



SOLDER OR  
CRIMP USING  
1.73/.068 HEX

73276-2360	1 PIECE 73100-0042 PER BAG
73100-0042	STANDARD
PART NO.	PACKAGING

PS-89675-3220	PRODUCT SPECIFICATION
MIL-STD-348A, FIG. 304.1	INTERFACE
SPECIFICATION	DESCRIPTION

CHG: REDREW IN SD.  
ADDED P/N  
73276-2360  
FOR SINGLE BAG  
OPTION. ADDED  
ASSY INSTRS.

EC NO: URF2011-0569  
DRAWN: AROBERTSON 2011/03/31  
CHKD: SSS 2011/03/31  
APPR: JWIENER 2011/03/31

B1

QUALITY SYMBOLS
▽=0
▽=0
DESCRIPTION

GENERAL TOLERANCES (UNLESS SPECIFIED)	
	MM/IN
4 PLACES ±	± .005 / ± .0005
3 PLACES ±	± .005 / ± .0005
2 PLACES ±	± .005 / ± .0005
1 PLACE ±	± .005 / ± .0005
ANGULAR ± 2°	
DRAFT WHERE APPLICABLE MUST REMAIN WITHIN DIMENSIONS	

DIMENSION STYLE	
MM/IN	
DRAWN BY	DATE
AROBERTSON	2011/03/31
CHECKED BY	DATE
SSS	2011/03/31
APPROVED BY	DATE
JWIENER	2011/03/31
MATERIAL NO.	SEE TABLE
SIZE	C

SCALE	DESIGN UNITS	THIRD ANGLE PROJECTION
INCH	INCH	☉
TITLE		
N PLUG STRAIGHT 50 OHM FOR RG58 CABLE N-PC		
MOLEX INCORPORATED		
MATERIAL NO.	DOCUMENT NO.	SHEET NO.
SEE TABLE	SD-73100-0042	1 OF 1
THIS DRAWING CONTAINS INFORMATION THAT IS PROPRIETARY TO MOLEX INCORPORATED AND SHOULD NOT BE USED WITHOUT WRITTEN PERMISSION		

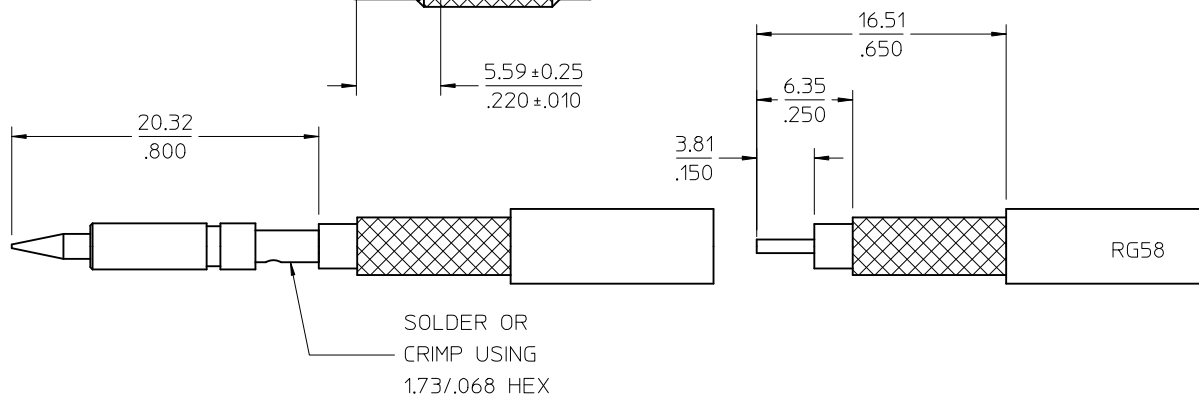
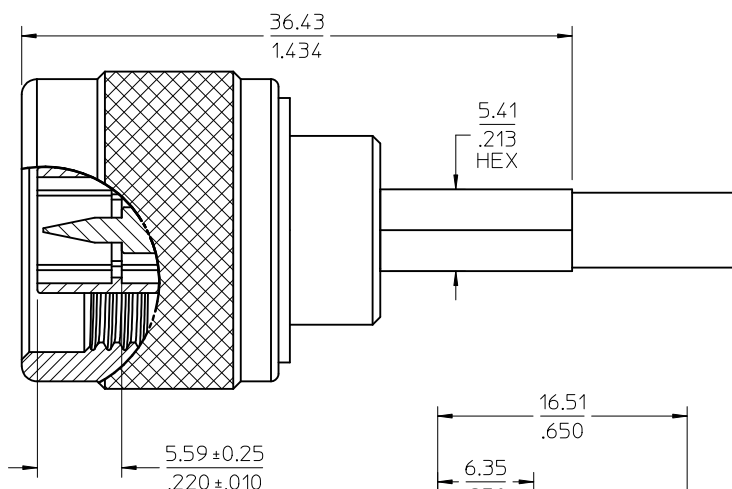
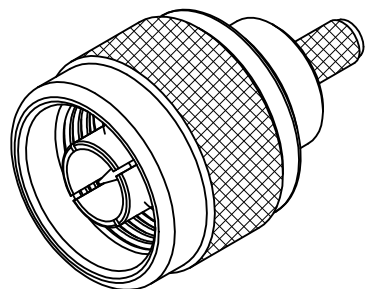
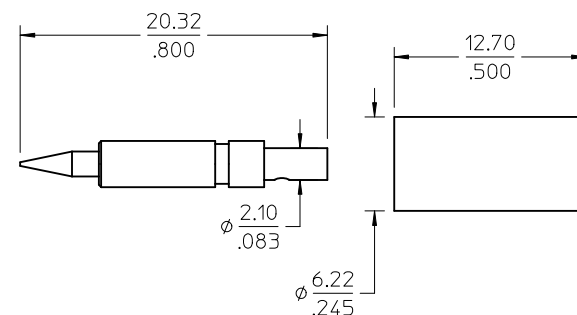
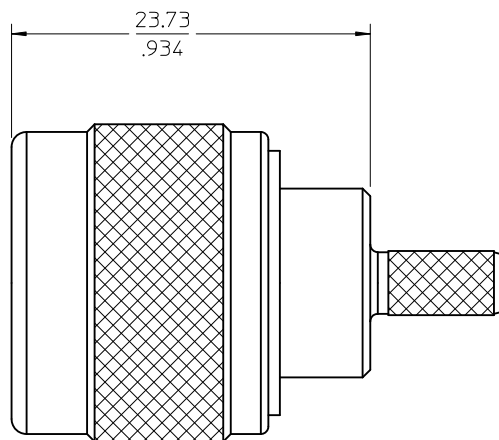
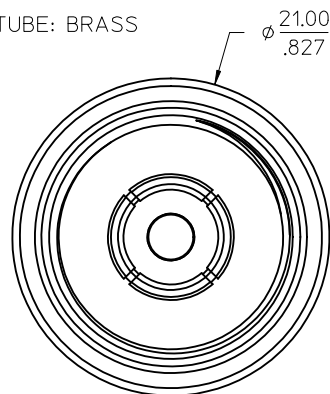
MATERIALS AND FINISHES

BODY, OUTER CONTACT, C'NUT, CRIMP TUBE: BRASS  
PLATED NICKEL

CONTACT: BRASS  
PLATED GOLD

GASKET: SILICONE RUBBER

SNAP RING: PHOSPHOR BRONZE



73276-2360	1 PIECE 73100-0042 PER BAG
73100-0042	STANDARD
PART NO.	PACKAGING

PS-89675-3220	PRODUCT SPECIFICATION
MIL-STD-348A, FIG. 304.1	INTERFACE
SPECIFICATION	DESCRIPTION

CHG: RELEASE DRAWING. EC NO: URF2011-0569 DRAWN: AROBERTSON 2011/03/31 CHKD: SSS 2011/03/31 APPR: JWIENER 2011/03/31	QUALITY SYMBOLS ▽=0 ▽=0	GENERAL TOLERANCES (UNLESS SPECIFIED)	DIMENSION STYLE MM/IN	SCALE INCH	DESIGN UNITS INCH	THIRD ANGLE PROJECTION															
		<table border="1"> <tr> <th></th> <th>mm</th> <th>INCH</th> </tr> <tr> <td>4 PLACES ±</td> <td>---</td> <td>---</td> </tr> <tr> <td>3 PLACES ±</td> <td>---</td> <td>---</td> </tr> <tr> <td>2 PLACES ±</td> <td>---</td> <td>---</td> </tr> <tr> <td>1 PLACE ±</td> <td>---</td> <td>---</td> </tr> </table>		mm	INCH	4 PLACES ±	---	---	3 PLACES ±	---	---	2 PLACES ±	---	---	1 PLACE ±	---	---	DRAWN BY: AROBERTSON DATE: 2011/03/31 CHECKED BY: SSS DATE: 2011/03/31 APPROVED BY: JWIENER DATE: 2011/03/31	TITLE: N PLUG STRAIGHT 50 OHM FOR RG58 CABLE N-PC		
			mm	INCH																	
		4 PLACES ±	---	---																	
3 PLACES ±	---	---																			
2 PLACES ±	---	---																			
1 PLACE ±	---	---																			
ANGULAR ± 2° DRAFT WHERE APPLICABLE MUST REMAIN WITHIN DIMENSIONS	MATERIAL NO. SEE TABLE SIZE C	MOLEX MOLEX INCORPORATED DOCUMENT NO. SD-73276-236		SHEET NO. 1 OF 1																	
THIS DRAWING CONTAINS INFORMATION THAT IS PROPRIETARY TO MOLEX INCORPORATED AND SHOULD NOT BE USED WITHOUT WRITTEN PERMISSION																					