

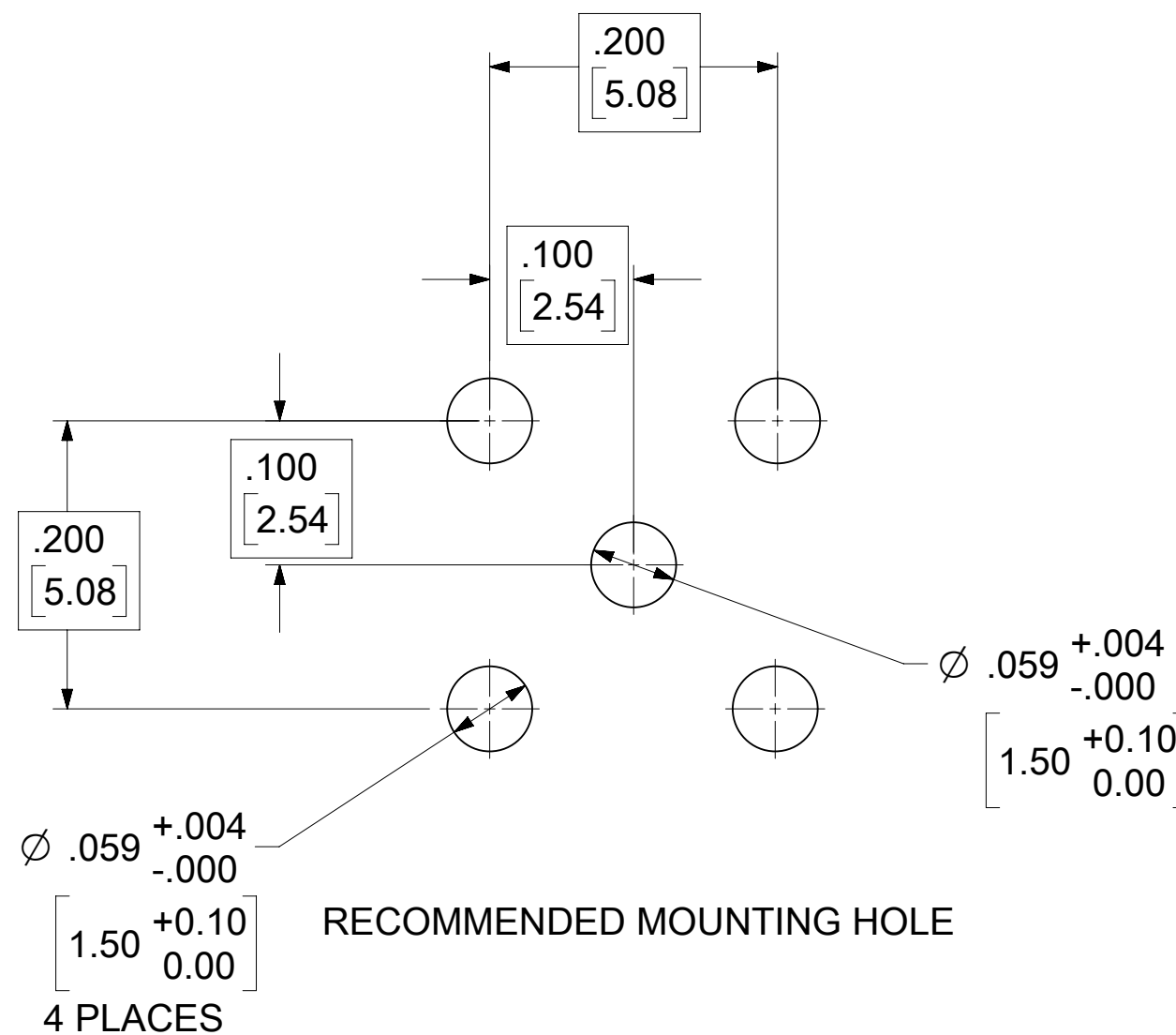
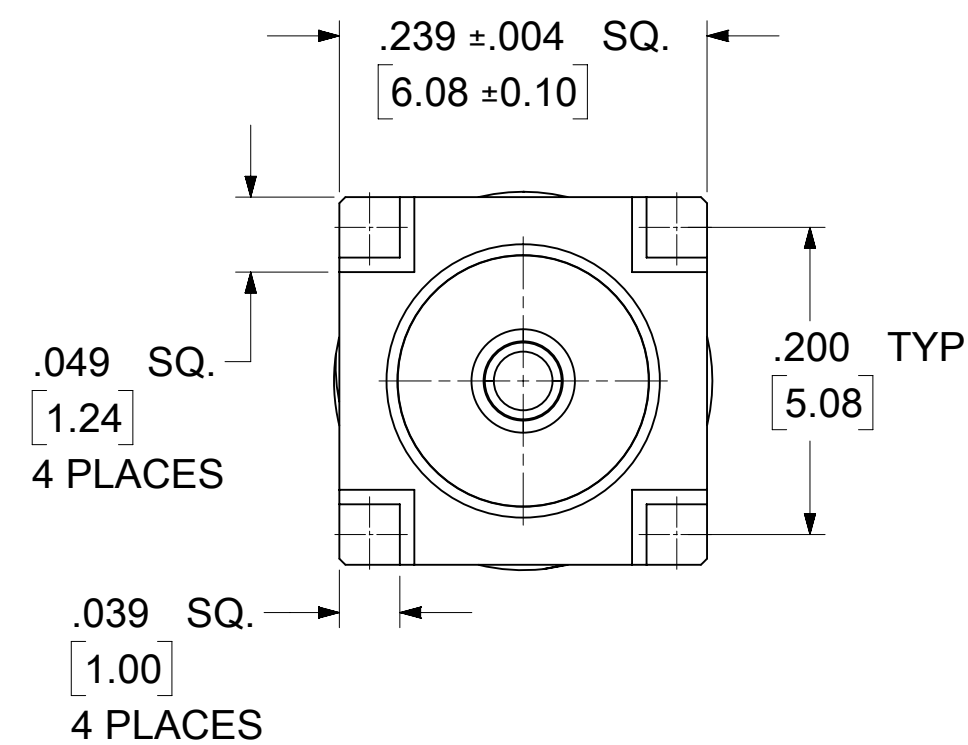
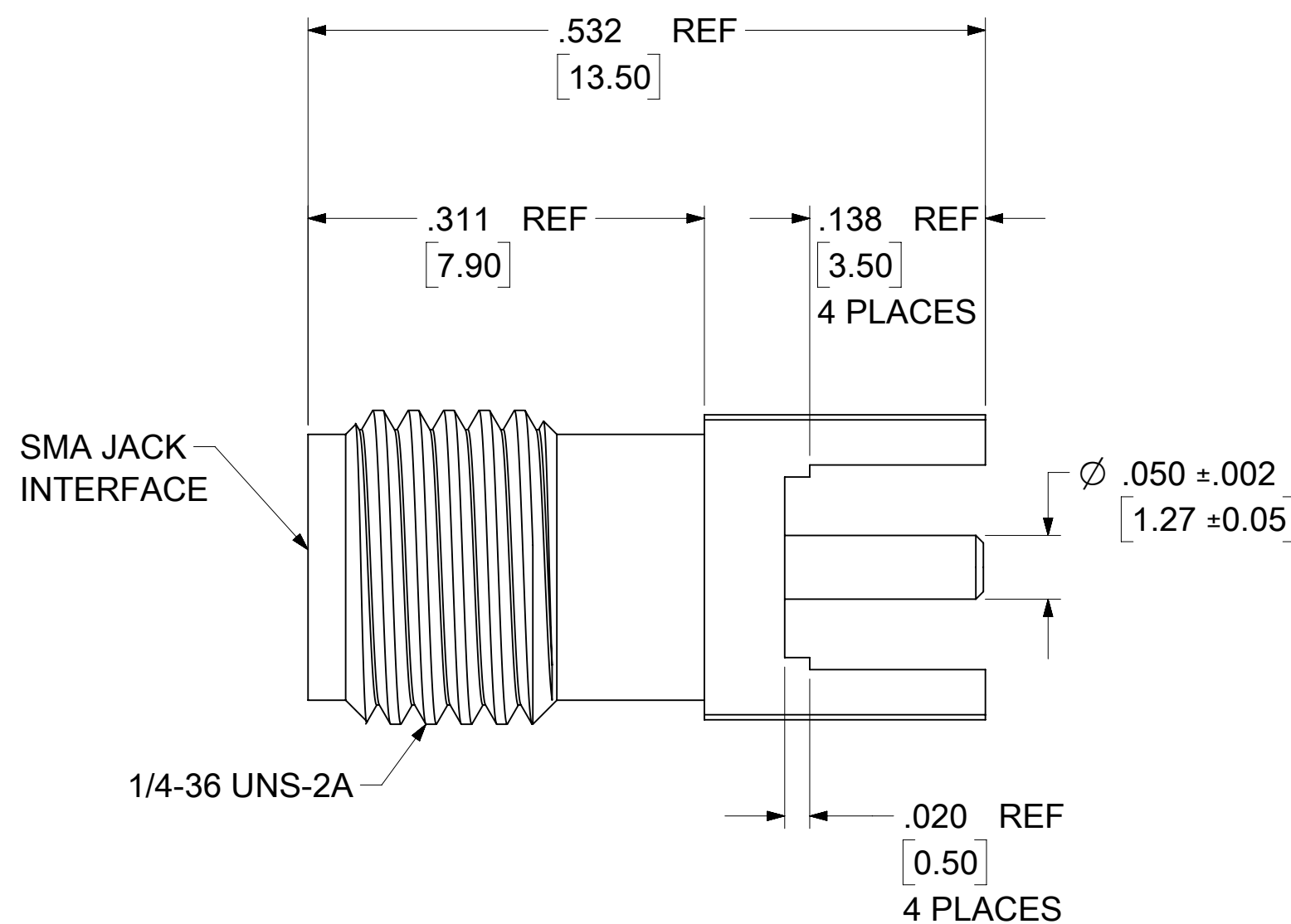
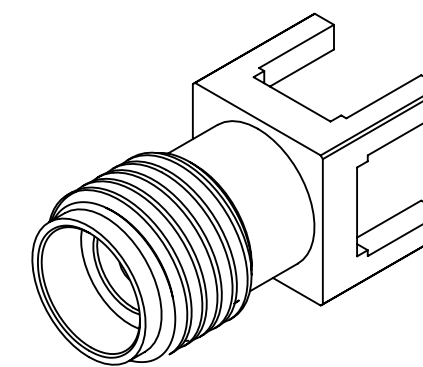
MATERIALS AND FINISHES:

BODY: BRASS
PLATED GOLD

CENTER CONTACT: BERYLLIUM COPPER
PLATED GOLD

INSULATOR: TEFLON

PACKAGING: SEE TABLE



RECOMMENDED MOUNTING HOLE

PS-89675-346	ELECTRO/MECH. PERFORM.
SPECIFICATION	DESCRIPTION

73391-0072	73391-0070 BY TRAY (20 CAV.)
73391-0071	ONE PIECE 73391-0070 PER BAG
73391-0070	TRAY (80 CAV.)
PART NO.	PACKAGING

FUNCTIONAL SYMBOLS	THIS DRAWING CONTAINS INFORMATION THAT IS PROPRIETARY TO MOLEX ELECTRONIC TECHNOLOGIES, LLC AND SHOULD NOT BE USED WITHOUT WRITTEN PERMISSION		CURRENT REV DESC: CORRECT THREAD DIRECTION PER EWR14622-A		molex	
	DIMENSION UNITS	SCALE				
$\frac{F}{A} = 0$	INCH	NTS	EC NO: 670034		SMA JACK VERTICAL PCB	
$\frac{F}{C} = 0$	GENERAL TOLERANCES (UNLESS SPECIFIED)		DRWN: CWEI02		50 OHMS SMA-J/PCB	
$\frac{F}{P} = 0$	ANGULAR TOL $\pm 2.0^\circ$		2021/06/18		PRODUCT CUSTOMER DRAWING	
DIVISIONAL SYMBOLS	4 PLACES	\pm	2021/07/20		DOCUMENT NUMBER	
	3 PLACES	\pm	2021/07/20		SD-73391-007	
	2 PLACES	\pm	2021/07/20		DOC TYPE	
	1 PLACE	\pm	INITIAL REVISION:		DOC PART	
	0 PLACES	\pm	DRWN: LYNN		REVISION	
			APPR: XXXX		B5	
			1998/10/19			
			XXX			
DRAFT WHERE APPLICABLE MUST REMAIN WITHIN DIMENSIONS	THIRD ANGLE PROJECTION	DRAWING	SERIES	MATERIAL NUMBER	CUSTOMER	SHEET NUMBER
		C-SIZE	73391	SEE TABLE	GENERAL MARKET	1 OF 1

DOCUMENT STATUS	P1	RELEASE DATE	2021/07/20	09:28:32
-----------------	----	--------------	------------	----------