

PLEASE CHECK WWW.MOLEX.COM FOR LATEST PART INFORMATION

Part Number: [0734042320](#)
Status: **Active**
Overview: [SMB RF Connectors](#)
Description: 50 Ohms, SMB Right-Angle Plug, RG-174, RG-188 and RG-316 Cable, Bag

Documents:

[Drawing \(PDF\)](#) [RoHS Certificate of Compliance \(PDF\)](#)

General

Product Family	RF/Coax Connectors
Series	73404
Overview	SMB RF Connectors
Product Name	SMB
Style	Cable
Type	Subminiature
UPC	800756688381
Wire/Cable Type	RG-174, RG-188, RG-316

Physical

Gender	Plug
Keying to Mating Part	None
Net Weight	2.889/g
Orientation	Right Angle
PCB Mounting	N/A
Packaging Type	Bag
Panel Mount	No
Panel Mount Method	N/A
Reverse Polar	No

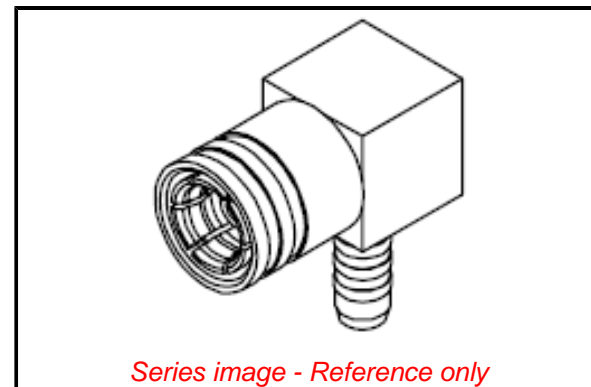
Electrical

Frequency	4 GHz
Impedance	50Ω
Power / Voltage	VOLTAGE: 335 Vrms@Sea Level

Material Info

Reference - Drawing Numbers

Sales Drawing	SD-73404-232
---------------	--------------



Series image - Reference only

EU ELV

Not Relevant

EU RoHS

Compliant with Exemption 6(c)

REACH SVHC

Contained Per - ED/71/2019 (16 July 2019)
lead

Halogen-Free

Status

Not Low-Halogen

For more information, please visit [Contact US](#)

China ROHS

ELV

RoHS Phthalates

China RoHS

50 Image

Not Relevant

Not Contained

Search Parts in this Series

[73404 Series](#)