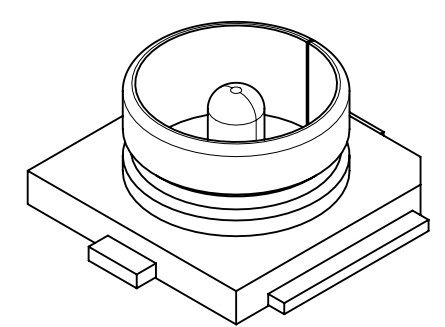


MATERIAL AND FINISHES:  
 BASE: LCP SIVERAS L304T40B  
 CONTACT: BRASS  
 C2680 (t=0.15)  
 PLATED: GOLD (0.03 MICROMETER MINIMUM) OVER  
 NICKEL (1~4 MICROMETER)  
 OUTER CONTACT: PHOSPHOR BRONZE(JIS 5191-SH)  
 C5210(t=0.12)  
 PLATED: GOLD (0.03 MICROMETER MINIMUM) OVER  
 NICKEL (1~4 MICROMETER)

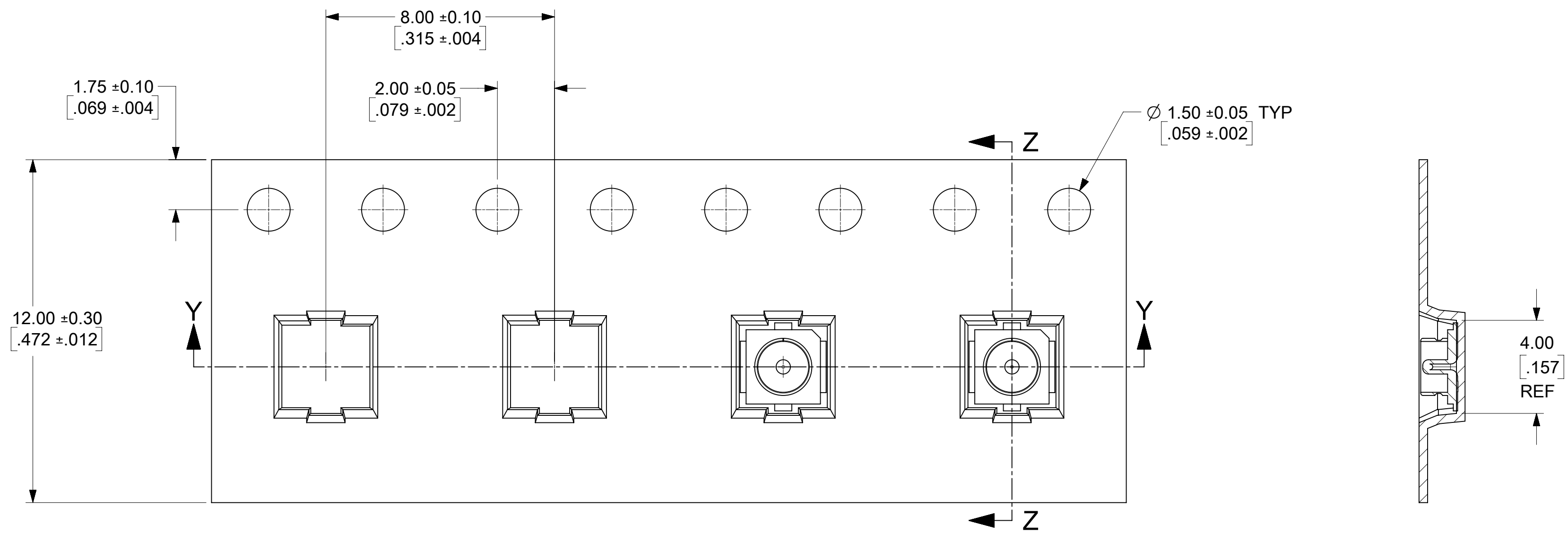
WILL WITHSTAND REFLOW  
 TEMPERATURE OF  
 260 DEG C 40 SEC MAXIMUM  
 VSWR  
 DC-3GHz: 1.18 MAX  
 DC-6GHz: 1.30 MAX



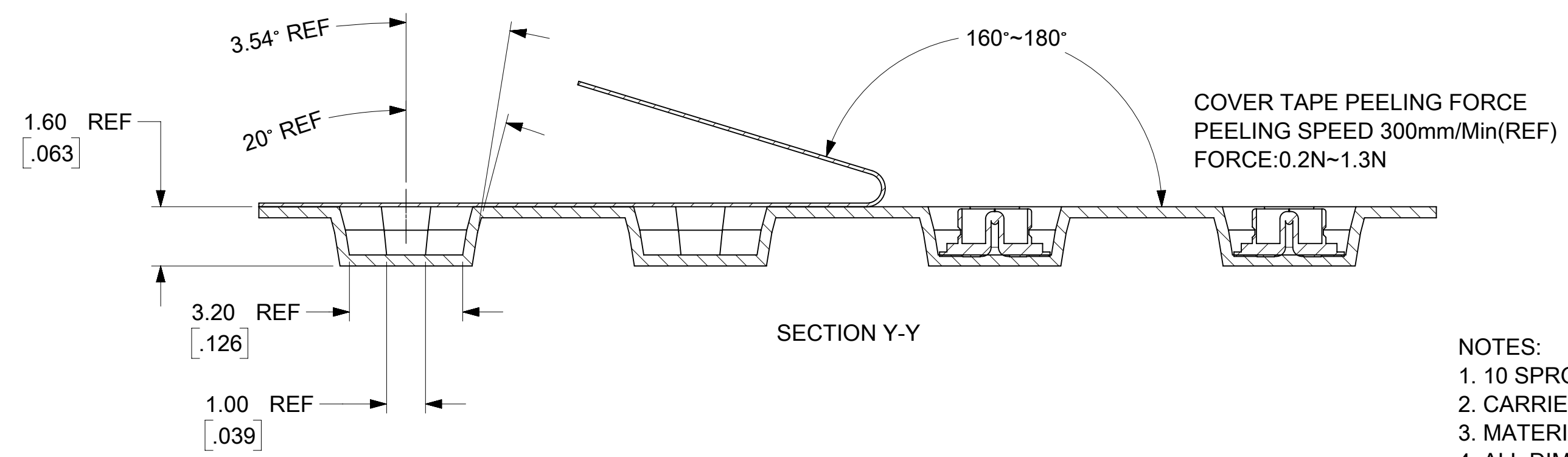
73412-0116	BAG (500 SETS)
73412-0114	TAPE AND REEL (1K/REEL)
73412-0110	TAPE AND REEL (5K/REEL)
PART NO.	PACKAGING

FUNCTIONAL SYMBOLS		THIS DRAWING CONTAINS INFORMATION THAT IS PROPRIETARY TO MOLEX ELECTRONIC TECHNOLOGIES, LLC AND SHOULD NOT BE USED WITHOUT WRITTEN PERMISSION		CURRENT REV DESC:	
FA = 0	MM/INCH	SCALE	NTS	EWR-14242-J ADDED LABEL FORMAT FOR 73412-0116	
EA = 0	GENERAL TOLERANCES (UNLESS SPECIFIED)		EC NO: 659677		
EP = 0	ANGULAR TOL ± 2.0°		DRWN: JSU18 2021/03/24		
DIVISIONAL SYMBOLS		4 PLACES ±		CHK'D: YCHENG 2021/04/06	
		3 PLACES ±		APPR: YCHENG 2021/04/06	
		2 PLACES ± 0.25		INITIAL REVISION:	
		1 PLACE ± 0.13		DRWN: YCHENG 2005/03/15	
		0 PLACES ±		APPR: MHUANG 2005/03/21	
DRAFT WHERE APPLICABLE MUST REMAIN WITHIN DIMENSIONS		THIRD ANGLE PROJECTION	DRAWING	SERIES	DOCUMENT NUMBER
			C-SIZE	73412	SD-73412-011
		MATERIAL NUMBER		CUSTOMER	DOC TYPE DOC PART REVISION
		SEE TABLE		GENERAL MARKET	PSD 001 C18
		SHEET NUMBER		1 OF 4	

PS-73598-0210	PROD SPEC
SPECIFICATION	DESCRIPTION
DOCUMENT STATUS	P1
RELEASE DATE	2021/04/06 01:47:36



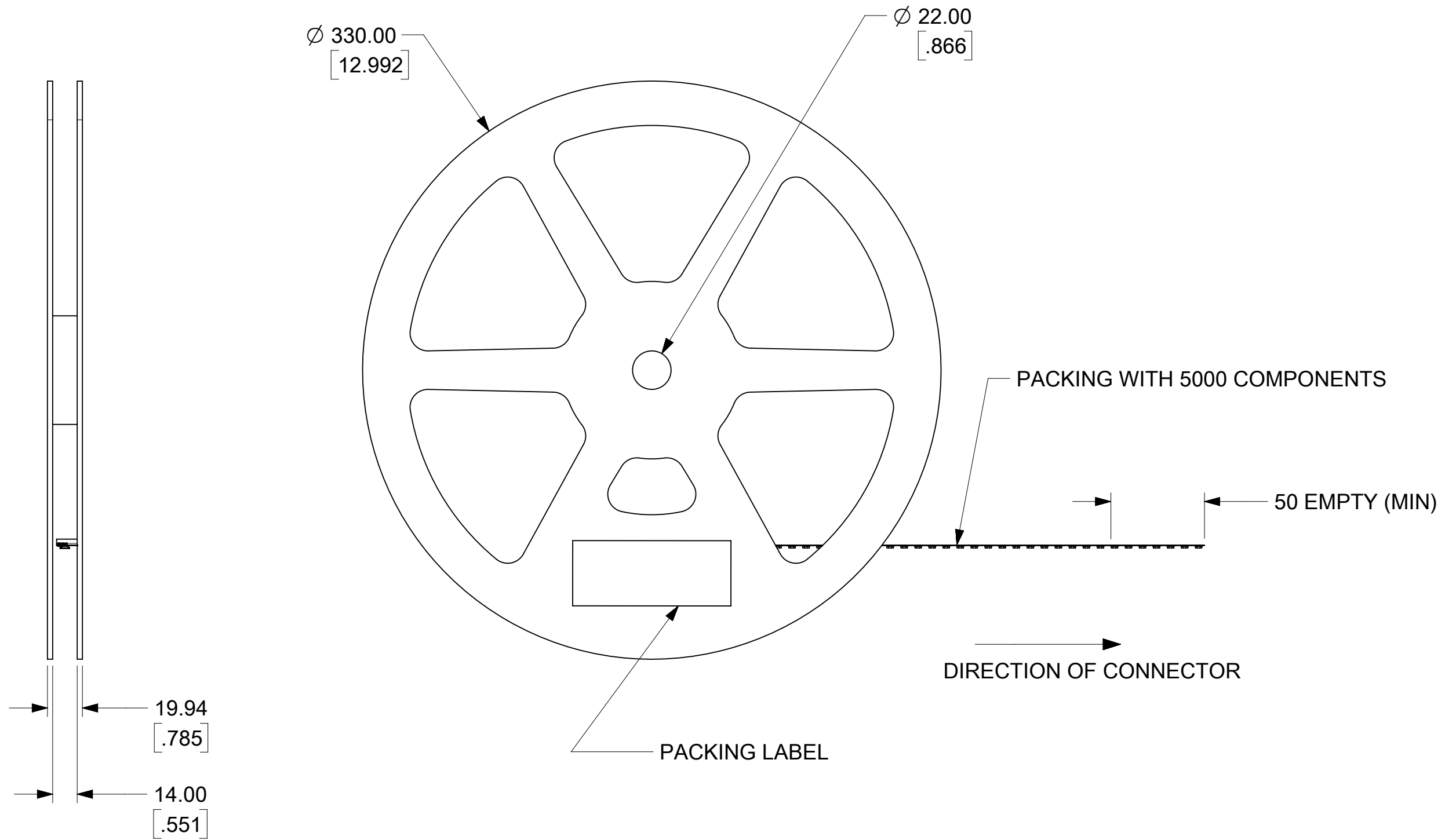
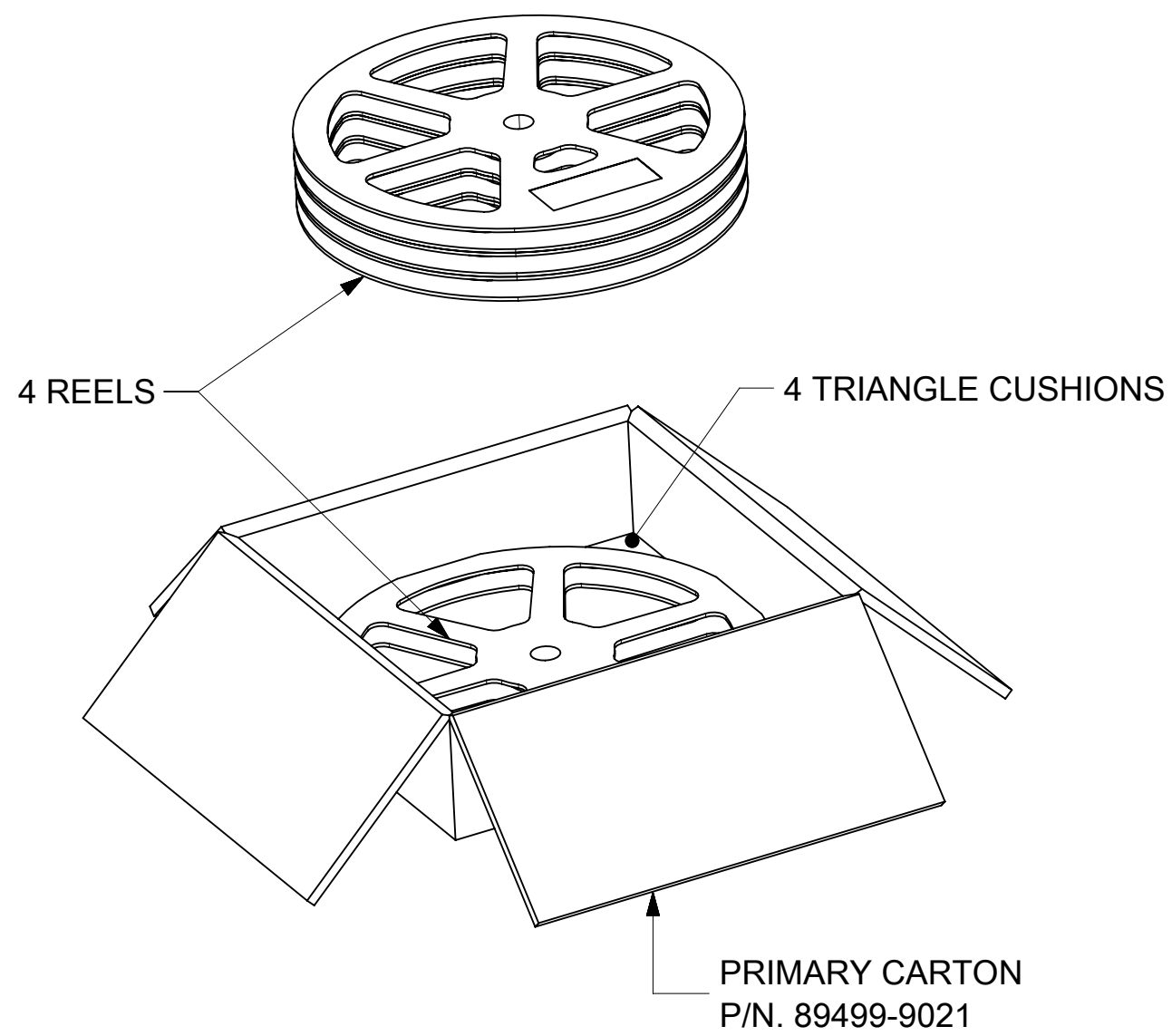
SECTION Z-Z



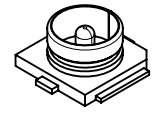
SECTION Y-Y

- NOTES:
- 10 SPROCKET HOLE PITCH CUMULATIVE TOLERANCE  $\pm 0.20\text{mm}$
  - CARRIER CAMBER IS WITH 1mm IN 250mm
  - MATERIAL : TRANSPARENT POLYSTYRENE
  - ALL DIMENSIONS MEET EIA-481-1 REQUIREMENT
  - COMPONENT LOAD PER 13" REEL (5,000 PCS), COMPONENT LOAD PER 7" REEL (1,000 PCS),

FUNCTIONAL SYMBOLS $\nabla_A = 0$ $\nabla_C = 0$ $\nabla_P = 0$ DIVISIONAL SYMBOLS	THIS DRAWING CONTAINS INFORMATION THAT IS PROPRIETARY TO MOLEX ELECTRONIC TECHNOLOGIES, LLC AND SHOULD NOT BE USED WITHOUT WRITTEN PERMISSION		CURRENT REV DESC:		
	DIMENSION UNITS	SCALE	EWR-14242-J ADDED LABEL FORMAT FOR 73412-0116		
	MM/INCH	NTS	EC NO: 659677		
	GENERAL TOLERANCES (UNLESS SPECIFIED)		DRWN: JSU18 2021/03/24		
ANGULAR TOL $\pm 2.0^\circ$		CHK'D: YCHENG 2021/04/06		PRODUCT CUSTOMER DRAWING	
4 PLACES $\pm$		APPR: YCHENG 2021/04/06		DOCUMENT NUMBER	
3 PLACES $\pm$		INITIAL REVISION:		DOC TYPE   DOC PART   REVISION	
2 PLACES $\pm 0.25$		DRWN: YCHENG 2005/03/15		SD-73412-011	
1 PLACE $\pm 0.13$		APPR: MHUANG 2005/03/21		PSD 001 C18	
0 PLACES $\pm$		THIRD ANGLE PROJECTION		MATERIAL NUMBER	
DRAFT WHERE APPLICABLE MUST REMAIN WITHIN DIMENSIONS		DRAWING		CUSTOMER	
		C-SIZE		SEE TABLE	
		SERIES		GENERAL MARKET	
		73412		SHEET NUMBER	
				2 OF 4	



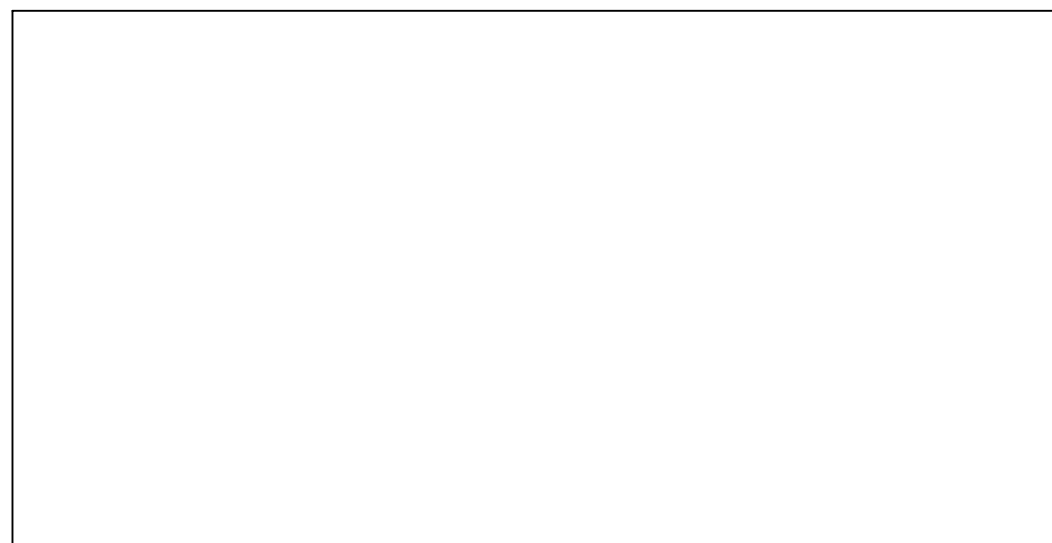
FUNCTIONAL SYMBOLS	THIS DRAWING CONTAINS INFORMATION THAT IS PROPRIETARY TO MOLEX ELECTRONIC TECHNOLOGIES, LLC AND SHOULD NOT BE USED WITHOUT WRITTEN PERMISSION												
	DIMENSION UNITS	SCALE	CURRENT REV DESC:								<b>molex</b>		
$\frac{F}{A} = 0$	MM/INCH	NTS	EWR-14242-J ADDED LABEL FORMAT FOR 73412-0116										
GENERAL TOLERANCES (UNLESS SPECIFIED)	ANGULAR TOL $\pm$ 2.0°												
	$\frac{F}{C} = 0$	4 PLACES $\pm$		EC NO: 659677									
DIVISIONAL SYMBOLS	$\frac{F}{P} = 0$	3 PLACES $\pm$		DRWN: JSU18				2021/03/24		MCRF RECEPTACLE VERTICAL MCRF-J			
		2 PLACES $\pm$ 0.25		CHK'D: YCHENG				2021/04/06					
		1 PLACE $\pm$ 0.13		APPR: YCHENG				2021/04/06					
		0 PLACES $\pm$		INITIAL REVISION:									
DRAFT WHERE APPLICABLE MUST REMAIN WITHIN DIMENSIONS			THIRD ANGLE PROJECTION		DRAWING		SERIES		DOCUMENT NUMBER		DOC TYPE	DOC PART	REVISION
					C-SIZE		73412		SD-73412-011		PSD	001	C18
									MATERIAL NUMBER		CUSTOMER		SHEET NUMBER
									SEE TABLE		GENERAL MARKET		3 OF 4



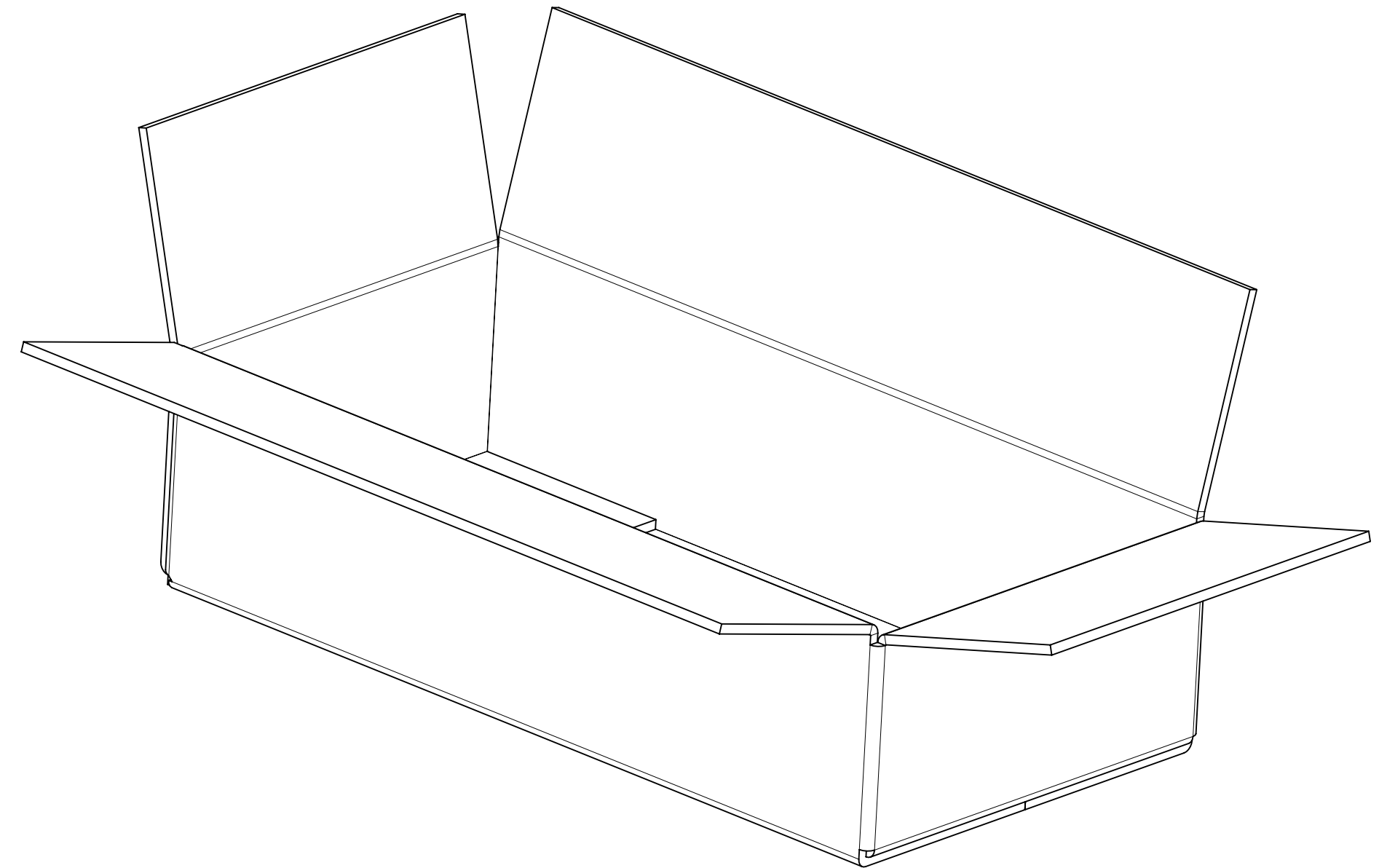
FOR 73412-0116 ONLY



10 SET PER POLYBAG  
P/N: 89707-0318

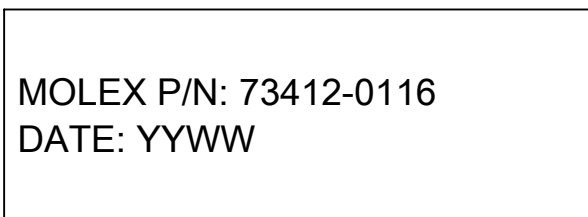


100 SET PER POLYBAG  
P/N: 89707-0001



500 SET PER OUTER CARTON BOX  
P/N: 96707-0003

LABEL WITH EACH BAG  
FOR 73412-0116



THIS DRAWING CONTAINS INFORMATION THAT IS PROPRIETARY TO MOLEX ELECTRONIC TECHNOLOGIES, LLC AND SHOULD NOT BE USED WITHOUT WRITTEN PERMISSION													
FUNCTIONAL SYMBOLS		DIMENSION UNITS		SCALE		CURRENT REV DESC:							
$\nabla_A = 0$ $\nabla_C = 0$ $\nabla_P = 0$		MM/INCH		NTS		EWR-14242-J ADDED LABEL FORMAT FOR 73412-0116  EC NO: 659677 DRWN: JSU18 CHK'D: YCHENG APPR: YCHENG							
DIVISIONAL SYMBOLS		GENERAL TOLERANCES (UNLESS SPECIFIED)		ANGULAR TOL		± 2.0°		4 PLACES ±		2021/03/24		PRODUCT CUSTOMER DRAWING DOCUMENT NUMBER: SD-73412-011 DOC TYPE: PSD DOC PART: 001 REVISION: C18	
		3 PLACES ±		2 PLACES ± 0.25		1 PLACE ± 0.13		0 PLACES ±		2021/04/06			
		DRAFT WHERE APPLICABLE MUST REMAIN WITHIN DIMENSIONS		THIRD ANGLE PROJECTION		DRAWING		SERIES		MATERIAL NUMBER		CUSTOMER	
						C-SIZE		73412		GENERAL MARKET		SHEET NUMBER: 4 OF 4	