

**PLEASE CHECK WWW.MOLEX.COM FOR LATEST PART INFORMATION**

**Part Number:** [0897616135](#)  
**Status:** **Active**  
**Overview:** [RF Cable Assemblies Solutions](#)  
**Description:** MCX Right-Angle Plug-to-MCX Right-Angle Plug Assembly, RG-316 Cable, Length 457.20mm, 50 Ohms

**Documents:**

[Drawing \(PDF\)](#) [RoHS Certificate of Compliance \(PDF\)](#)

**General**

Product Family	Cable Assemblies
Series	<a href="#">89761</a>
Assembly Configuration	Dual Ended Connectors
Connector to Connector	MMCX-to-MMCX
Overview	<a href="#">RF Cable Assemblies Solutions</a>
Product Name	MMCX, RF
Type	RF Cable Assembly
UPC	883906707521

**Physical**

Cable Length	457.20mm (1.50')
Circuits (Loaded)	0
Gender	Plug/Plug
Net Weight	2.830/g
Number of Rows	1
Packaging Type	Bag
Single Ended	No
Wire/Cable Type	RG-316

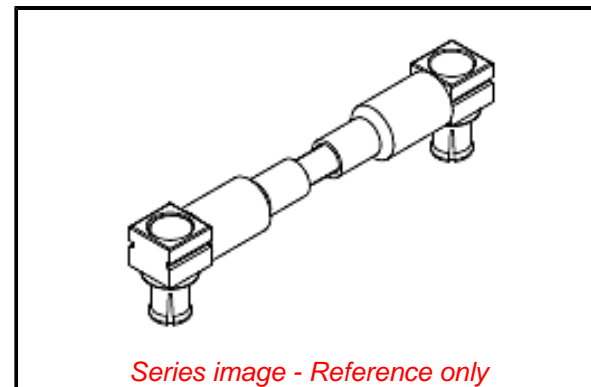
**Electrical**

Impedance	50Ω
-----------	-----

**Material Info**

**Reference - Drawing Numbers**

Sales Drawing	SD-89761-613
---------------	--------------



*Series image - Reference only*

**EU ELV**

**Not Relevant**

**EU RoHS**

**Compliant with Exemption 6(c)**

**REACH SVHC**

Contained Per -  
D(2020)9139-DC (19  
Jan 2021)

Lead

**Halogen-Free**

**Status**

**Not Low-Halogen**

For more information, please visit [Contact US](#)

China ROHS

ELV

RoHS Phthalates

**China RoHS**

50 Image

Not Relevant

Not Contained

**Search Parts in this Series**

[89761 Series](#)