

MATERIALS AND FINISHES

SMA JACK: SEE SD-73391-026

MMCX PLUG: SEE SD-73415-112

CABLE: RG316

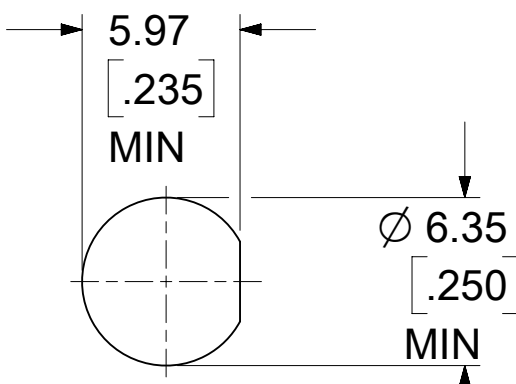
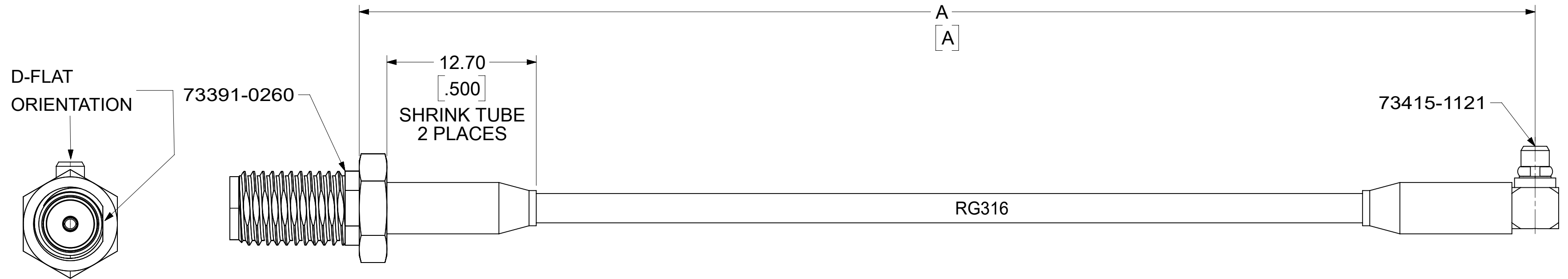
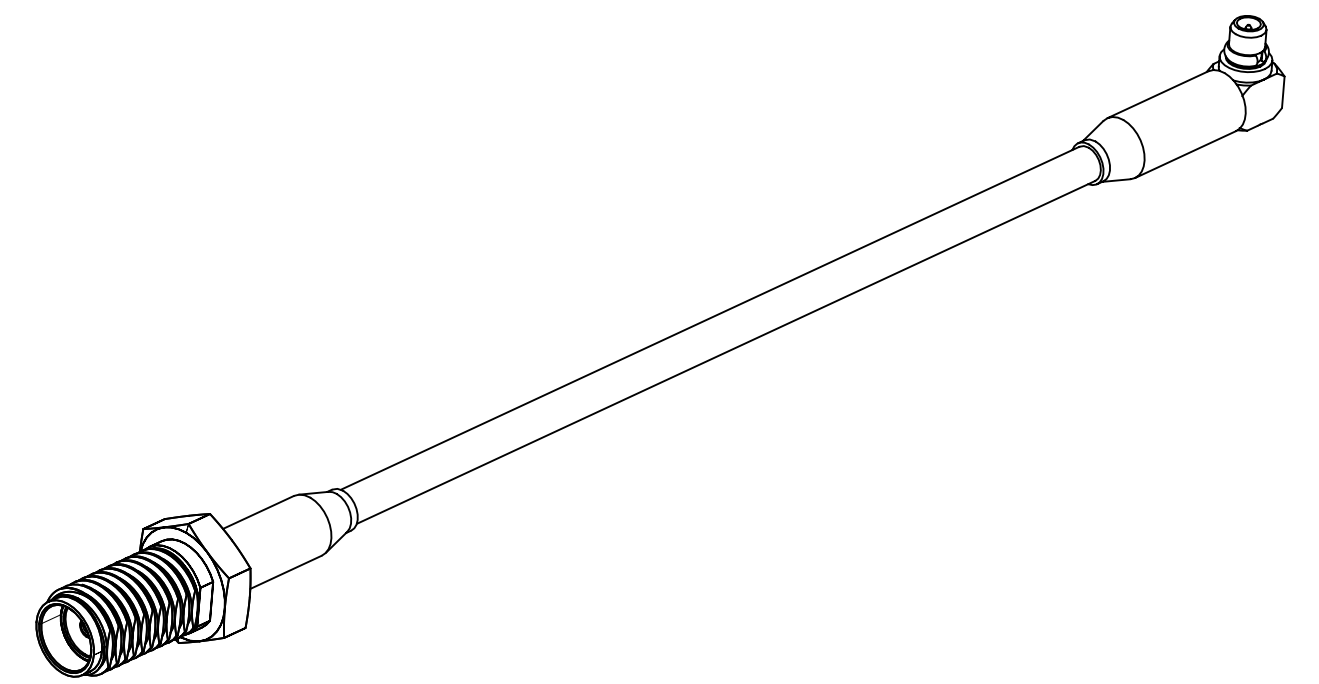
SHRINK TUBE: VERSAFIT

CABLES WILL BE INDIVIDUALLY BAGGED

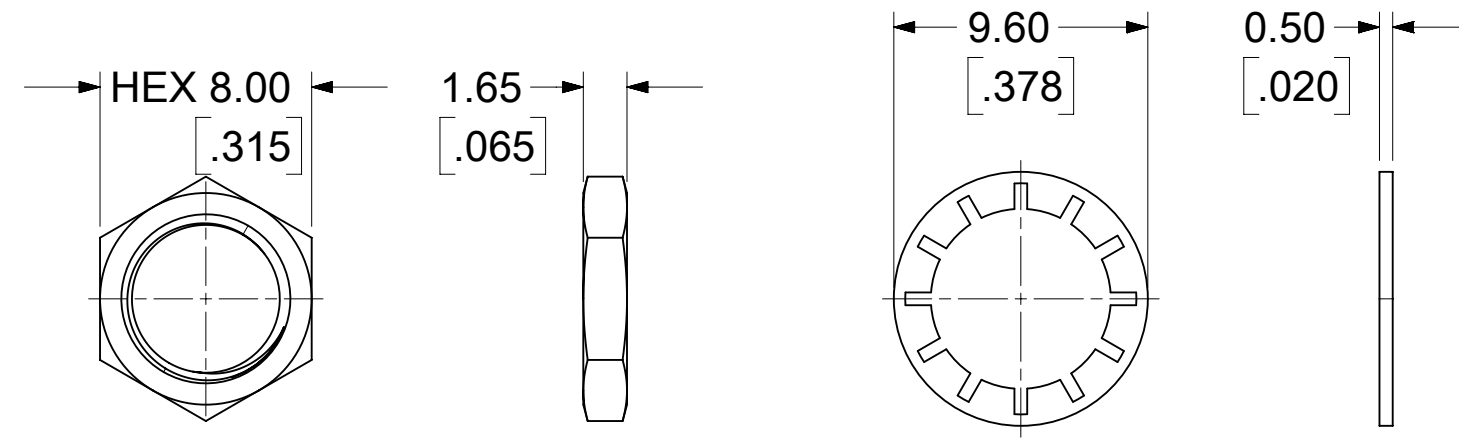
BAG LABEL:

MOLEX: P/N

DATE CODE



HARDWARE WILL BE ASSEMBLED TO SMA FOR SHIPMENT

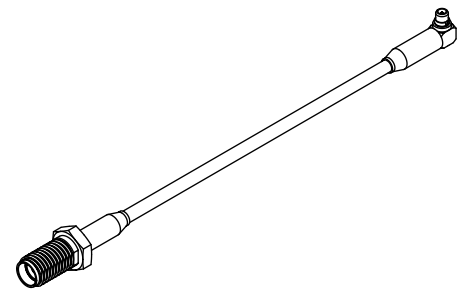


RECOMMENDED PANEL CUTOUT
MAX PANEL THICKNESS 3.18 (.125)

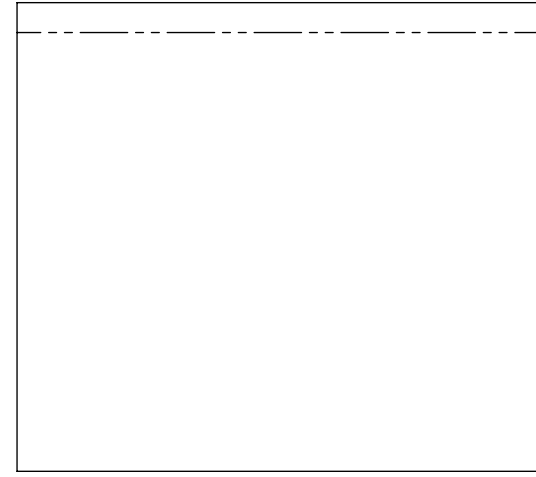
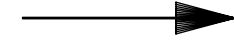
| | | | |
|------------|----------|------------|-----------|
| 89761-6822 | 18.0±.35 | 457.2±8.89 | POLYBAG |
| 89761-6821 | 12.0±.25 | 304.8±6.35 | POLYBAG |
| 89761-6820 | 6.00±.25 | 152.4±6.35 | POLYBAG |
| PART NO. | IN | MM | PACKAGING |
| | A | | |

| | |
|--------------------------|----------------|
| CECC-22-340 | INTERFACE MMCX |
| MIL-STD-348A, FIG. 310.2 | INTERFACE SMA |
| SPECIFICATION | DESCRIPTION |

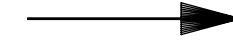
| | | | | |
|---|---|--|---|--|
| FUNCTIONAL SYMBOLS | THIS DRAWING CONTAINS INFORMATION THAT IS PROPRIETARY TO MOLEX ELECTRONIC TECHNOLOGIES, LLC AND SHOULD NOT BE USED WITHOUT WRITTEN PERMISSION | | | |
| $\frac{E}{A} = 0$ $\frac{E}{C} = 0$ $\frac{E}{P} = 0$ | DIMENSION UNITS: MM/INCH SCALE: NTS | CURRENT REV DESC: EWR-14668-A CHG: ADDED PACKAGE DRAWING | | |
| DIVISIONAL SYMBOLS | GENERAL TOLERANCES (UNLESS SPECIFIED) ANGULAR TOL ± 2.0° | EC NO: 670189 DRWN: JSU18 CHK'D: YCHENG APPR: YCHENG | PRODUCT CUSTOMER DRAWING | |
| | 4 PLACES ± 3 PLACES ± 2 PLACES ± 1 PLACE ± 0 PLACES ± | 2021/07/12 2021/07/15 2021/07/15 INITIAL REVISION: DRWN: AROBERTSON APPR: JWIENER | DOCUMENT NUMBER: SD-89761-682 DOC TYPE: PSD DOC PART: 001 REVISION: A4 | |
| | DRAFT WHERE APPLICABLE MUST REMAIN WITHIN DIMENSIONS | THIRD ANGLE PROJECTION | DRAWING: C-SIZE SERIES: 89761 | |
| | | MATERIAL NUMBER: GENERAL MARKET CUSTOMER: GENERAL MARKET | SHEET NUMBER: 1 OF 3 | |



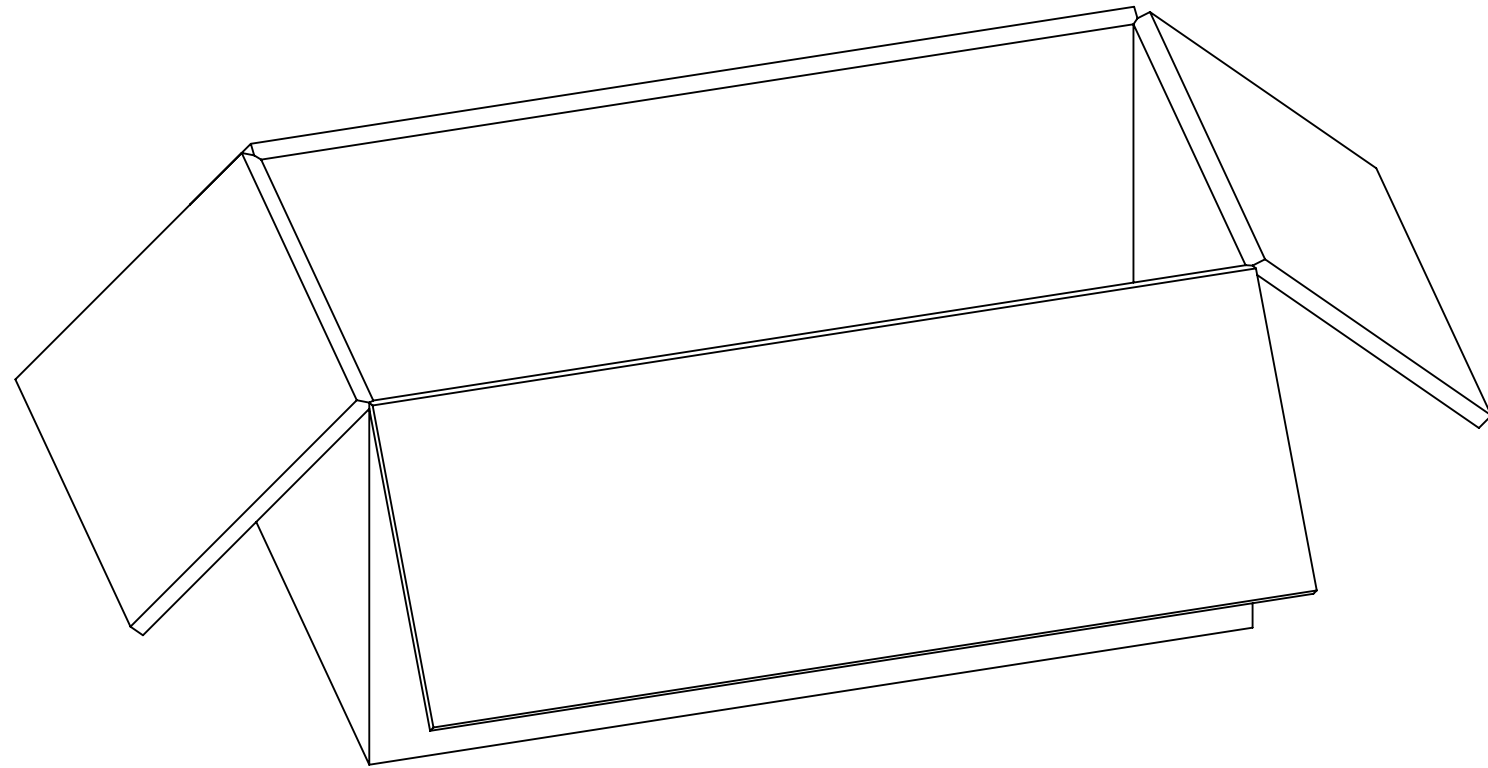
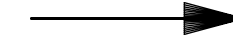
PN: 89761-6820
PN: 89761-6822



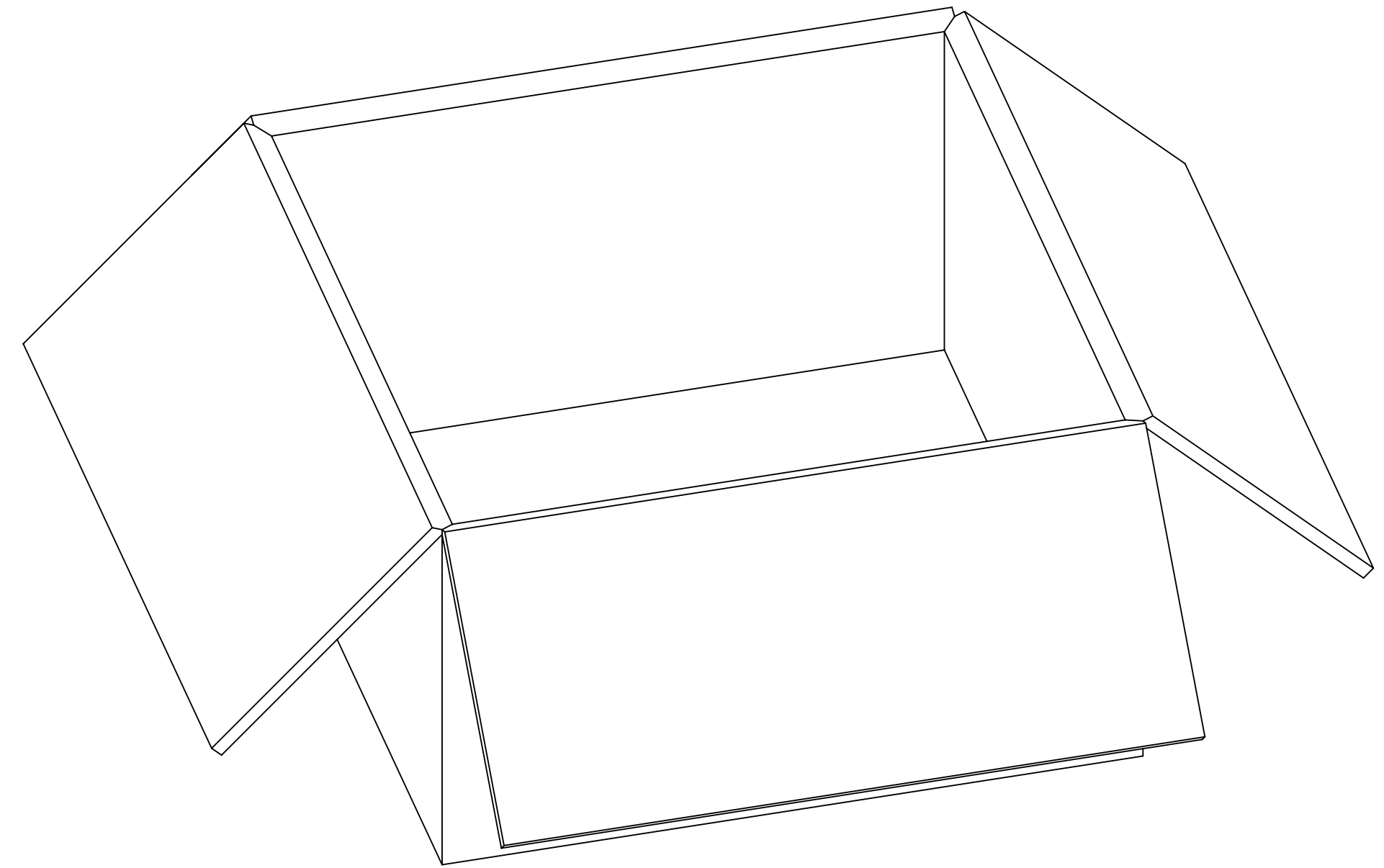
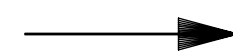
1 SET PER POLY BAG
P/N: 89707-0296




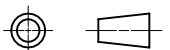
50 SETS PER POLY BAG
P/N: 89707-0176

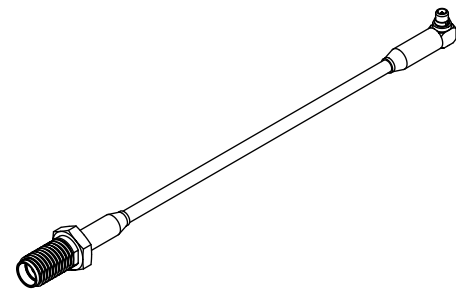


250 SETS PER INNER
CARTON BOX
P/N: 96707-0001
DIMENSION: 367 x 173 x 188 (mm)

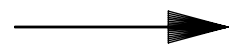


500 SETS PER OUTER
CARTON BOX
P/N: 96708-0005
DIMENSION: 385 x 367 x 206 (mm)

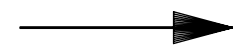
| | | | | | | | | | | | |
|--------------------|---|---|--|--------|-----------------|----------------|-----------------|----------|----------|--------------|---|
| FUNCTIONAL SYMBOLS | THIS DRAWING CONTAINS INFORMATION THAT IS PROPRIETARY TO MOLEX ELECTRONIC TECHNOLOGIES, LLC AND SHOULD NOT BE USED WITHOUT WRITTEN PERMISSION | | | | | | | | | | |
| | DIMENSION UNITS | SCALE | CURRENT REV DESC: | | | | | | | |  CA SMA J STR BKHD TO MMCX P R/A W/RG316 CA-SMAJ/MMCXP, EWR-3874 PRODUCT CUSTOMER DRAWING |
| $\frac{E}{A} = 0$ | MM/INCH | NTS | EWR-14668-A CHG: ADDED PACKAGE DRAWING | | | | | | | | |
| $\frac{E}{C} = 0$ | GENERAL TOLERANCES (UNLESS SPECIFIED) | | EC NO: 670189 DRWN: JSU18 2021/07/12 | | | | | | | | |
| $\frac{E}{P} = 0$ | ANGULAR TOL $\pm 2.0^\circ$ | | CHK'D: YCHENG 2021/07/15 APPR: YCHENG 2021/07/15 | | | | | | | | |
| DIVISIONAL SYMBOLS | 4 PLACES \pm | | INITIAL REVISION: | | | | | | | | |
| | 3 PLACES \pm | | DRWN: AROBERTSON 2009/02/20 | | | | | | | | |
| | 2 PLACES \pm | | APPR: JWIENER 2009/02/20 | | | | | | | | |
| | 1 PLACE \pm | | DRAFT WHERE APPLICABLE MUST REMAIN WITHIN DIMENSIONS | | | | | | | | |
| 0 PLACES \pm | | THIRD ANGLE PROJECTION | DRAWING | SERIES | MATERIAL NUMBER | CUSTOMER | DOCUMENT NUMBER | DOC TYPE | DOC PART | REVISION | |
| | |  | C-SIZE | 89761 | | GENERAL MARKET | SD-89761-682 | PSD | 001 | A4 | |
| | | | | | | | | | | SHEET NUMBER | |
| | | | | | | | | | | 2 OF 3 | |



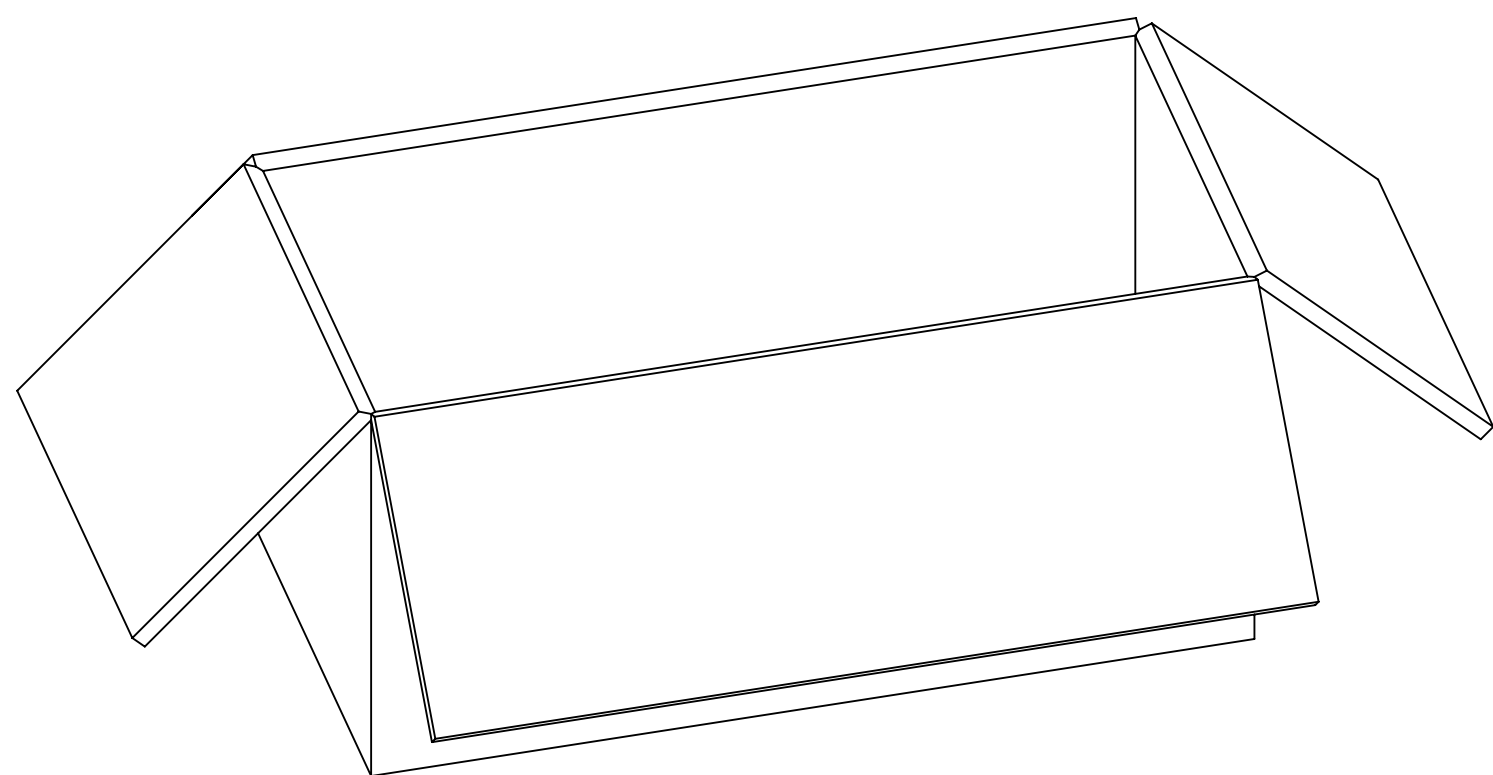
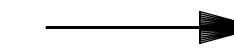
PN: 89761-6821



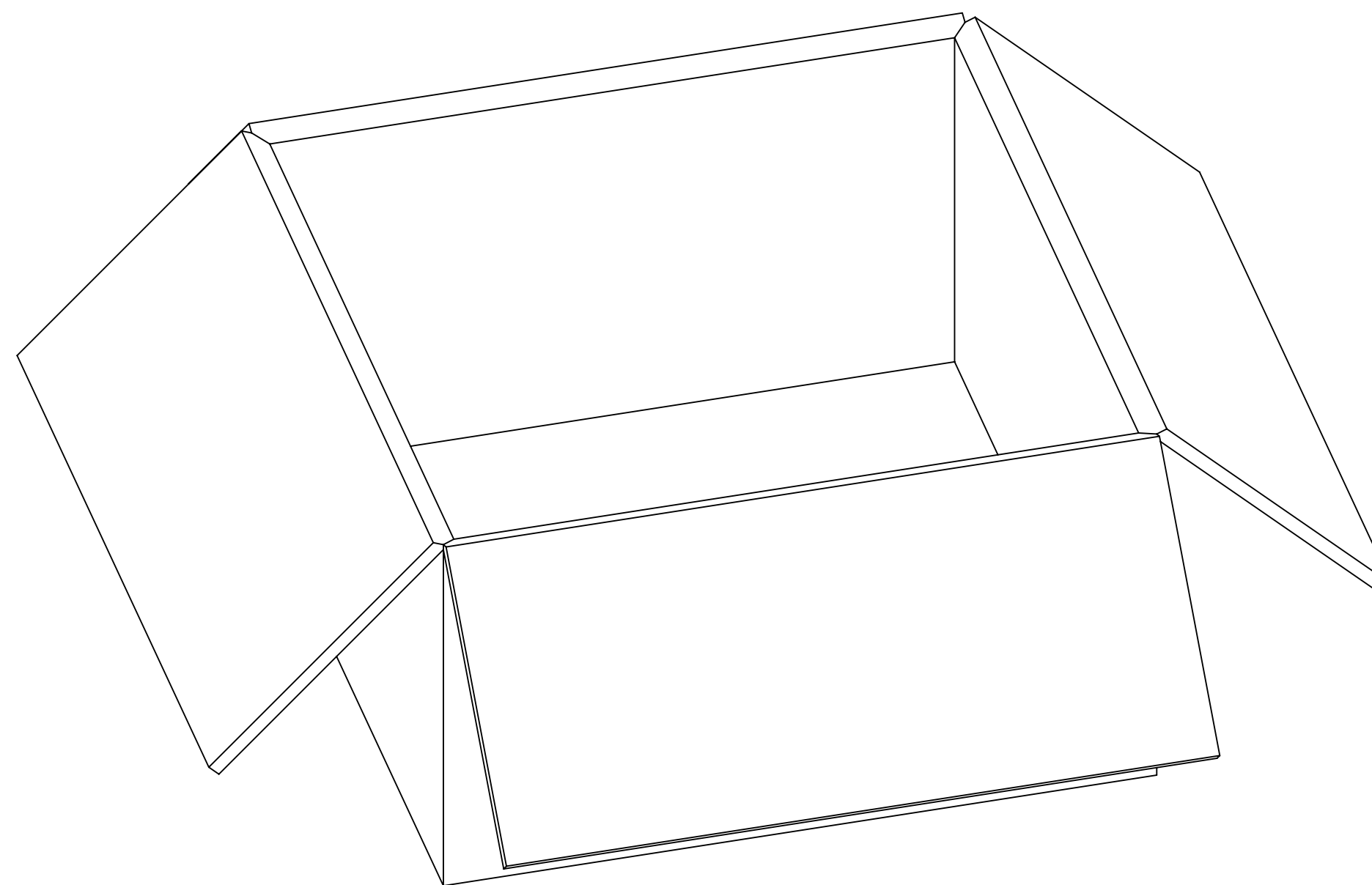
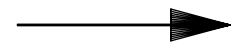
1 SET PER POLY BAG
P/N: 89707-0296



50 SETS PER POLY BAG
P/N: 89707-0176



50 SETS PER INNER
CARTON BOX
P/N: 96707-0001
DIMENSION: 367 x 173 x 188 (mm)



50 SETS PER OUTER
CARTON BOX
P/N: 96708-0005
DIMENSION: 385 x 367 x 206 (mm)

| | | | | | | | | | | |
|--|---|--------------------------|---|--------|-----------------|----------------|--------------|--|--|--|
| FUNCTIONAL SYMBOLS | THIS DRAWING CONTAINS INFORMATION THAT IS PROPRIETARY TO MOLEX ELECTRONIC TECHNOLOGIES, LLC AND SHOULD NOT BE USED WITHOUT WRITTEN PERMISSION | | | | | | | | | |
| | DIMENSION UNITS | SCALE | CURRENT REV DESC: | | | | | | | |
| $\frac{E}{A} = 0$ | MM/INCH | NTS | EWR-14668-A CHG: ADDED PACKAGE DRAWING | | | | | | | |
| $\frac{E}{C} = 0$ | GENERAL TOLERANCES (UNLESS SPECIFIED) | | EC NO: 670189 | | | | | | | |
| $\frac{E}{P} = 0$ | ANGULAR TOL $\pm 2.0^\circ$ | | DRWN: JSU18 2021/07/12 | | | | | | | |
| DIVISIONAL SYMBOLS | 4 PLACES \pm | | CHK'D: YCHENG 2021/07/15 | | | | | | | |
| | 3 PLACES \pm | | APPR: YCHENG 2021/07/15 | | | | | | | |
| | 2 PLACES \pm | | INITIAL REVISION: | | | | | | | |
| | 1 PLACE \pm | | DRWN: AROBERTSON 2009/02/20 | | | | | | | |
| 0 PLACES \pm | | APPR: JWIENER 2009/02/20 | | | | | | | | |
| DRAFT WHERE APPLICABLE MUST REMAIN WITHIN DIMENSIONS | | THIRD ANGLE PROJECTION | DRAWING | SERIES | MATERIAL NUMBER | CUSTOMER | SHEET NUMBER | | | |
| | | | C-SIZE | 89761 | SD-89761-682 | GENERAL MARKET | 3 OF 3 | | | |

| | | | | |
|-----------------|----|--------------|------------|----------|
| DOCUMENT STATUS | P1 | RELEASE DATE | 2021/07/15 | 07:07:57 |
|-----------------|----|--------------|------------|----------|