

MATERIALS AND FINISHES

SMA JACK: SEE SD-73391-026

MMCX PLUG: SEE SD-73415-112

CABLE: RG316

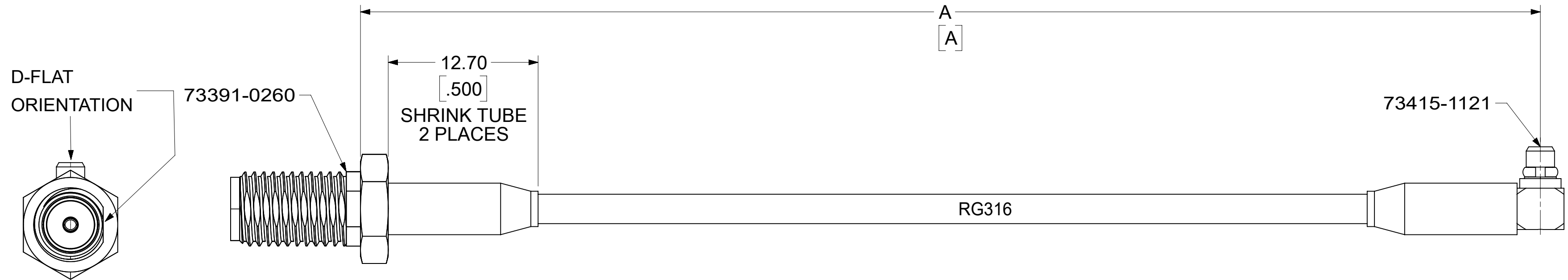
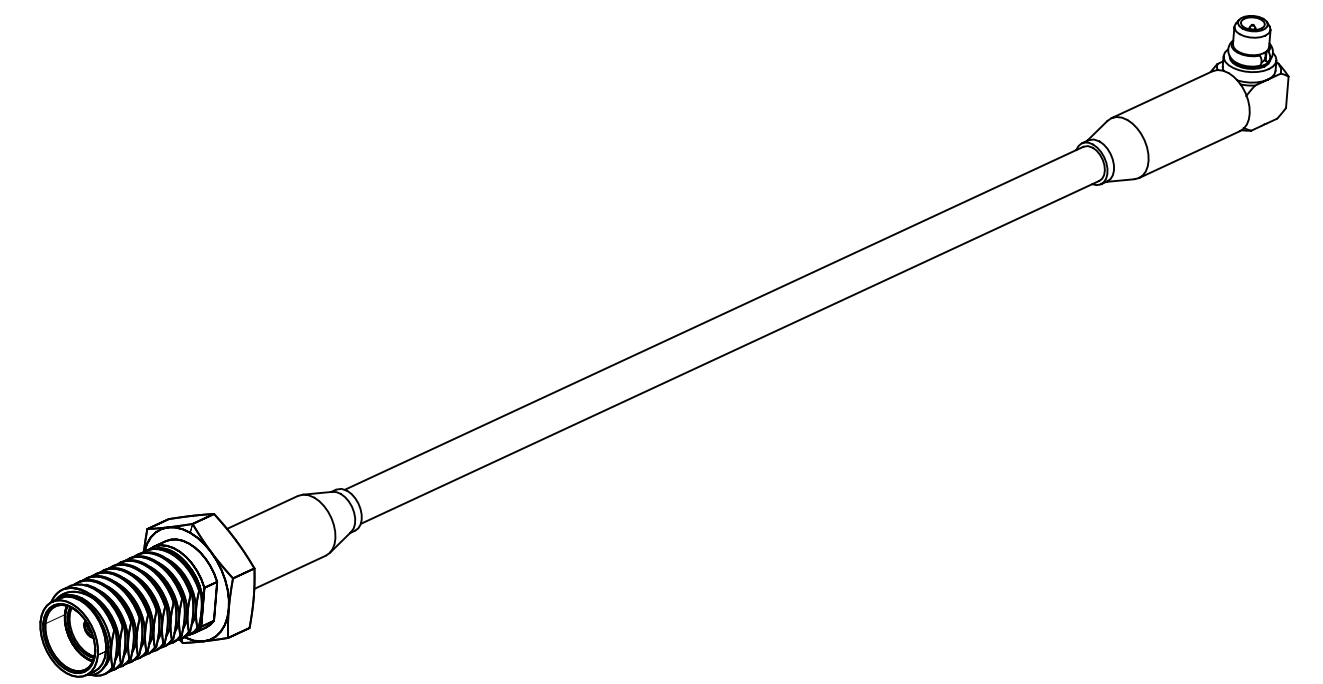
SHRINK TUBE: VERSAFIT

CABLES WILL BE INDIVIDUALLY BAGGED

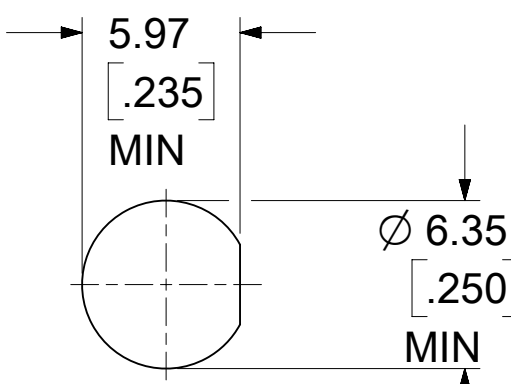
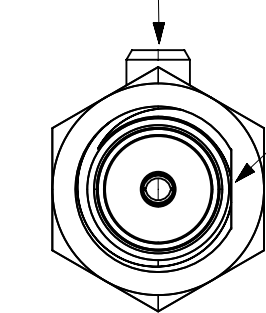
BAG LABEL:

MOLEX: P/N

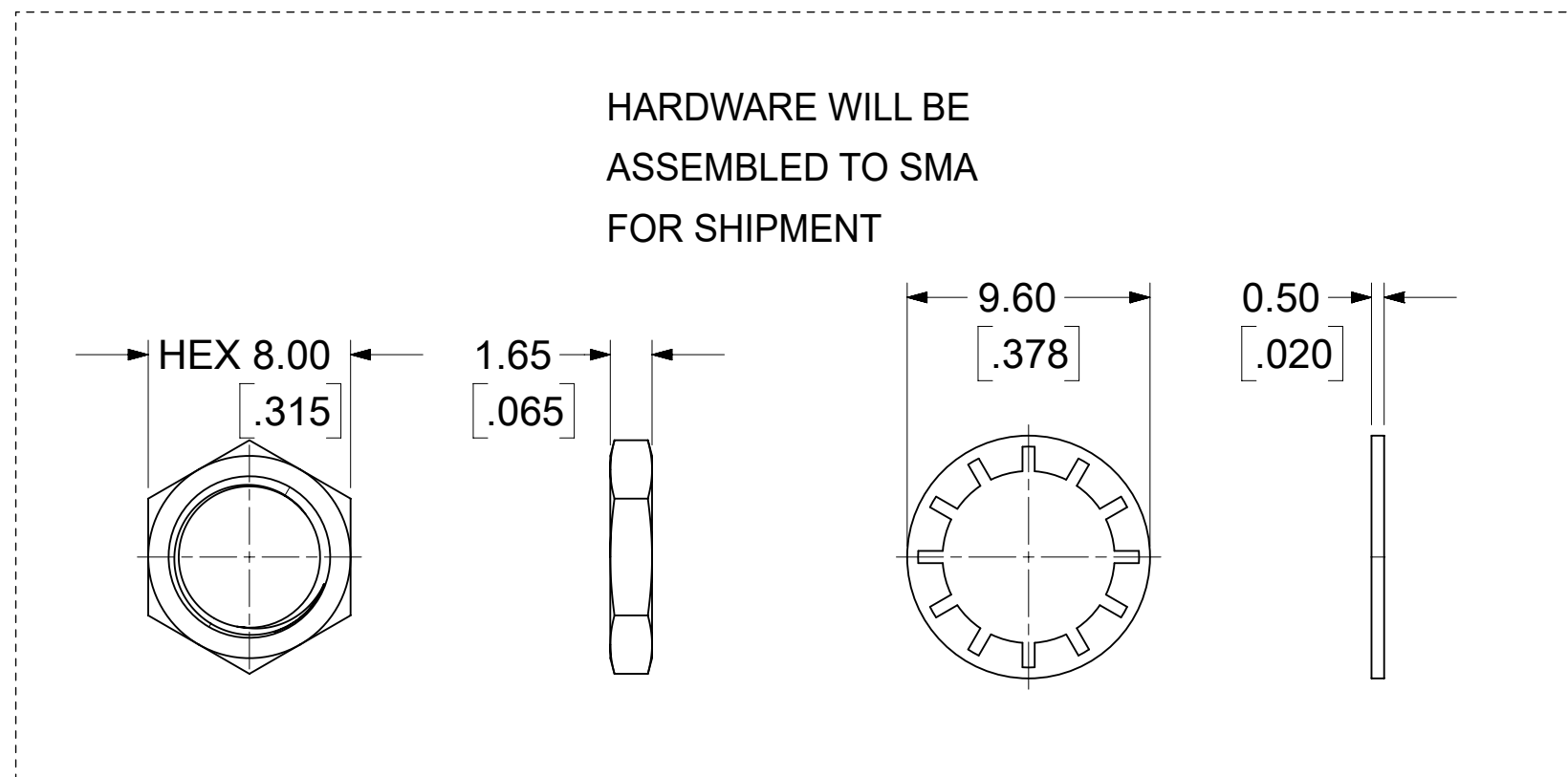
DATE CODE



D-FLAT ORIENTATION



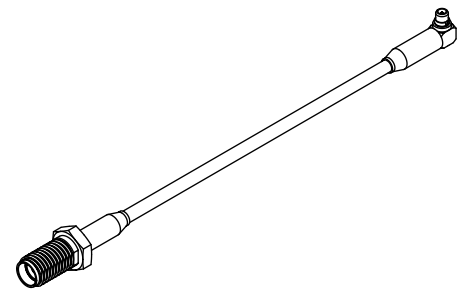
RECOMMENDED PANEL CUTOUT
MAX PANEL THICKNESS 3.18 (.125)



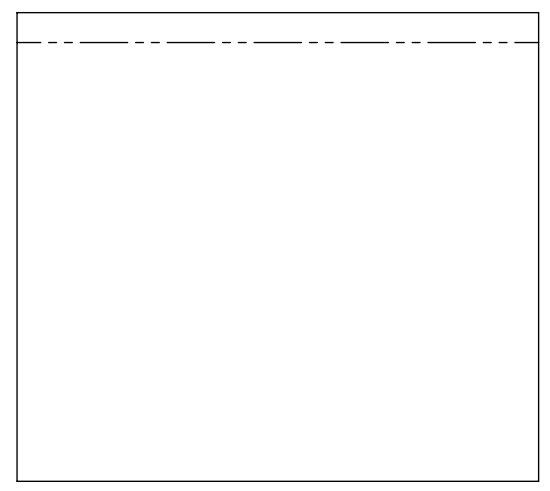
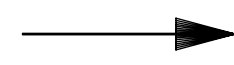
89761-6822	18.0±.35	457.2±8.89	POLYBAG
89761-6821	12.0±.25	304.8±6.35	POLYBAG
89761-6820	6.00±.25	152.4±6.35	POLYBAG
PART NO.	IN	MM	PACKAGING
	A		

CECC-22-340	INTERFACE MMCX
MIL-STD-348A, FIG. 310.2	INTERFACE SMA
SPECIFICATION	DESCRIPTION

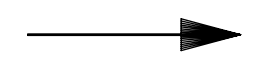
FUNCTIONAL SYMBOLS	THIS DRAWING CONTAINS INFORMATION THAT IS PROPRIETARY TO MOLEX ELECTRONIC TECHNOLOGIES, LLC AND SHOULD NOT BE USED WITHOUT WRITTEN PERMISSION		
$\frac{A}{A} = 0$ $\frac{E}{E} = 0$ $\frac{P}{P} = 0$	DIMENSION UNITS: MM/INCH SCALE: NTS GENERAL TOLERANCES (UNLESS SPECIFIED): ANGULAR TOL: ± 2.0° 4 PLACES ± 3 PLACES ± 2 PLACES ± 1 PLACE ± 0 PLACES ±	CURRENT REV DESC: EWR-14668-A CHG: ADDED PACKAGE DRAWING EC NO: 670189 DRWN: JSU18 2021/07/12 CHK'D: YCHENG 2021/07/15 APPR: YCHENG 2021/07/15 INITIAL REVISION: DRWN: AROBERTSON 2009/02/20 APPR: JWIENER 2009/02/20	 CA SMA J STR BKHD TO MMCX P R/A W/RG316 CA-SMAJ/MMCXP, EWR-3874 PRODUCT CUSTOMER DRAWING
DIVISIONAL SYMBOLS	DRAFT WHERE APPLICABLE MUST REMAIN WITHIN DIMENSIONS	THIRD ANGLE PROJECTION 	DRAWING: C-SIZE SERIES: 89761 MATERIAL NUMBER: SD-89761-682 CUSTOMER: GENERAL MARKET SHEET NUMBER: 1 OF 3



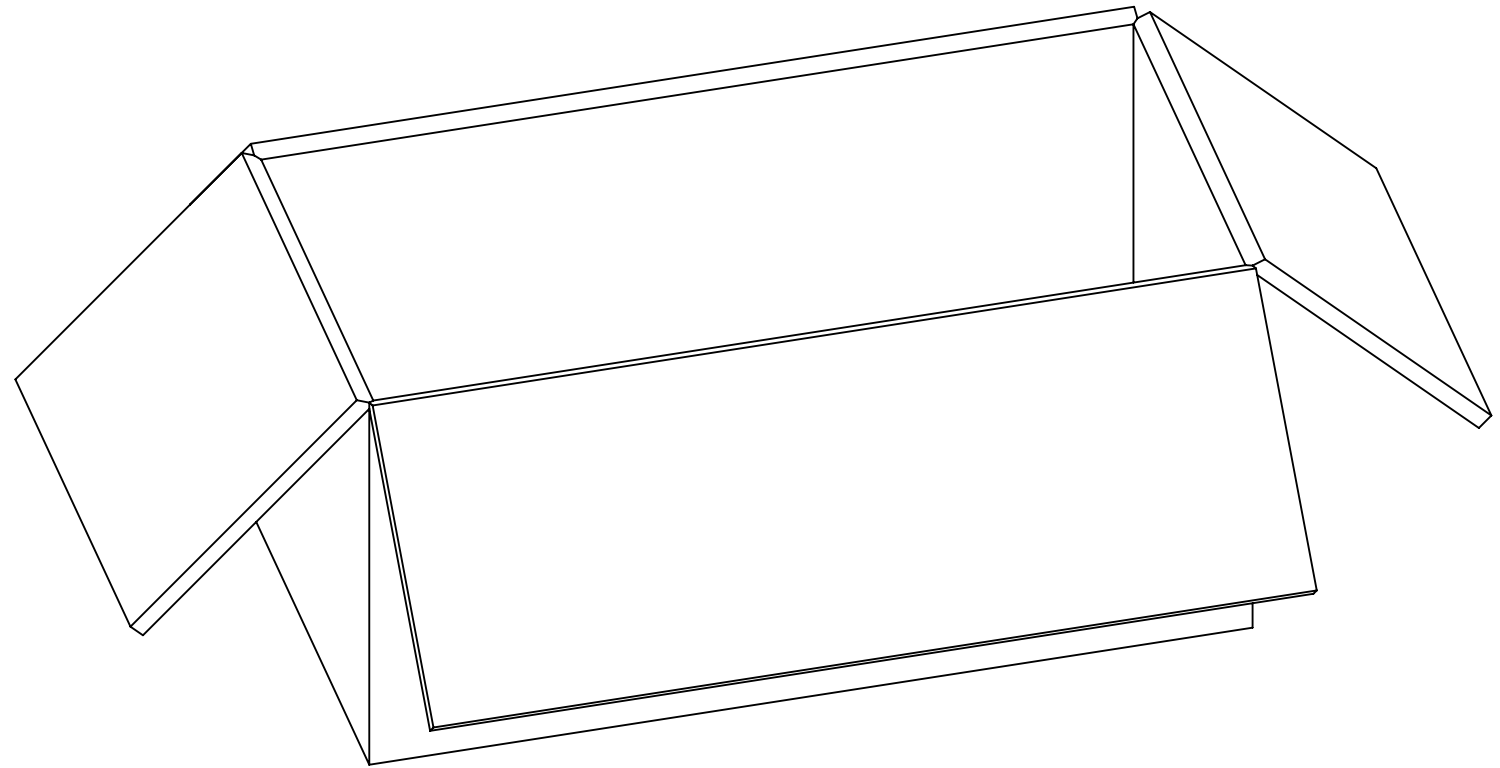
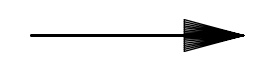
PN: 89761-6820
PN: 89761-6822



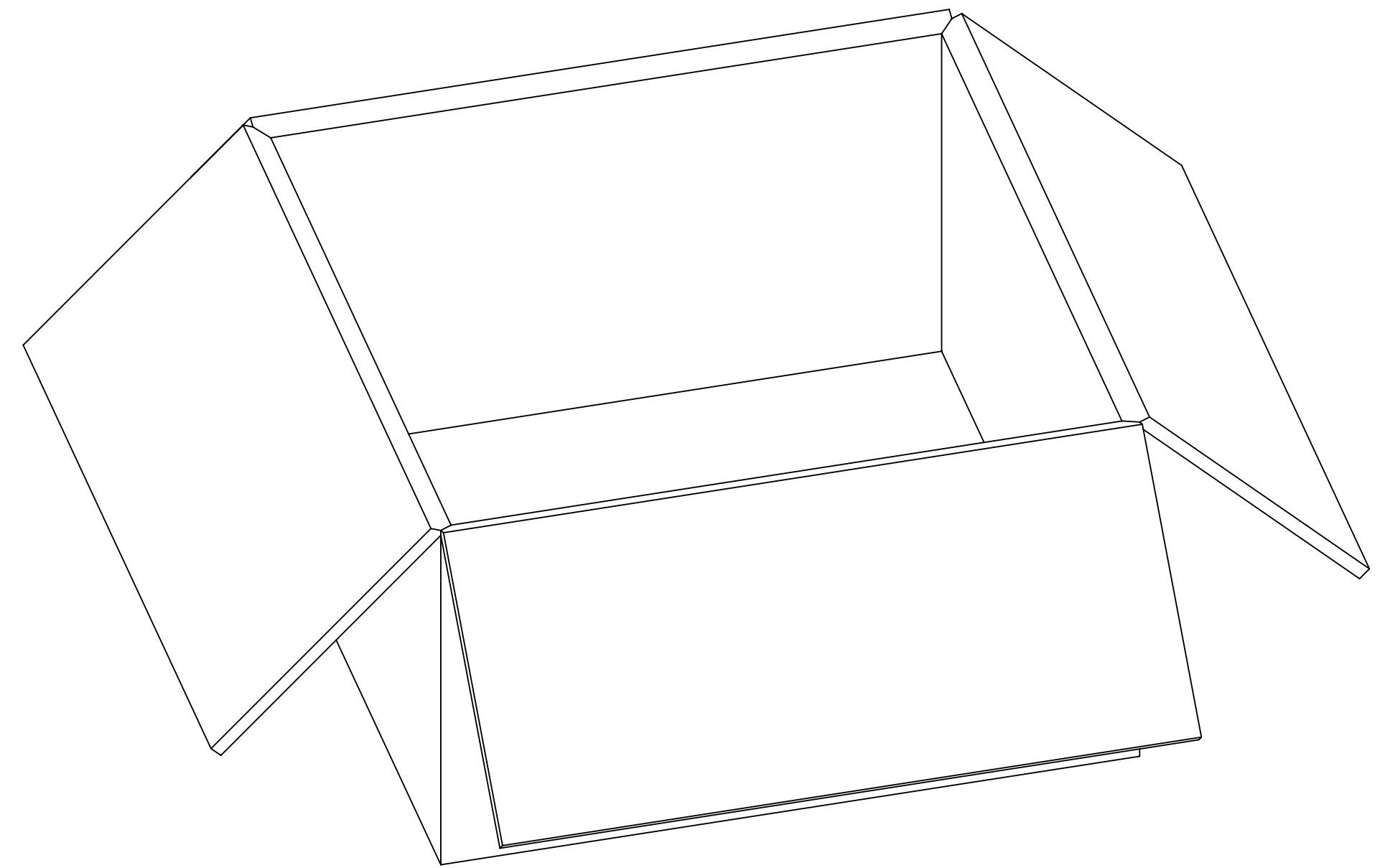
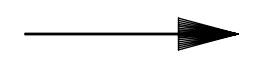
1 SET PER POLY BAG
P/N: 89707-0296



50 SETS PER POLY BAG
P/N: 89707-0176



250 SETS PER INNER
CARTON BOX
P/N: 96707-0001
DIMENSION: 367 x 173 x 188 (mm)



500 SETS PER OUTER
CARTON BOX
P/N: 96708-0005
DIMENSION: 385 x 367 x 206 (mm)

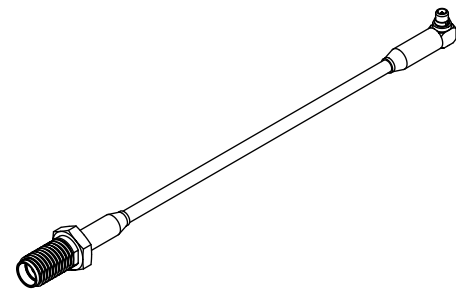
THIS DRAWING CONTAINS INFORMATION THAT IS PROPRIETARY TO MOLEX ELECTRONIC TECHNOLOGIES, LLC AND SHOULD NOT BE USED WITHOUT WRITTEN PERMISSION										
FUNCTIONAL SYMBOLS	DIMENSION UNITS	SCALE	CURRENT REV DESC:							
	$\frac{F}{A} = 0$	MM/INCH	NTS	EWR-14668-A CHG: ADDED PACKAGE DRAWING						
DIVISIONAL SYMBOLS	GENERAL TOLERANCES (UNLESS SPECIFIED)		EC NO: 670189							
	$\frac{F}{C} = 0$	ANGULAR TOL $\pm 2.0^\circ$		DRWN: JSU18			2021/07/12			
DIVISIONAL SYMBOLS	$\frac{F}{P} = 0$	4 PLACES \pm		CHK'D: YCHENG			2021/07/15			
		3 PLACES \pm		APPR: YCHENG			2021/07/15			
		2 PLACES \pm		INITIAL REVISION:						
		1 PLACE \pm		DRWN: AROBERTSON			2009/02/20			
	0 PLACES \pm		APPR: JWIENER			2009/02/20				
DRAFT WHERE APPLICABLE MUST REMAIN WITHIN DIMENSIONS			THIRD ANGLE PROJECTION	DRAWING	SERIES	MATERIAL NUMBER	CUSTOMER	SHEET NUMBER		
				C-SIZE	89761		GENERAL MARKET	2 OF 3		

molex

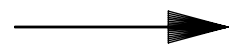
CA SMA J STR BKHD TO
MMCX P R/A W/RG316 CA-SMAJ/MMCXP, EWR-3874

PRODUCT CUSTOMER DRAWING

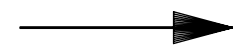
DOCUMENT NUMBER	DOC TYPE	DOC PART	REVISION
SD-89761-682	PSD	001	A4



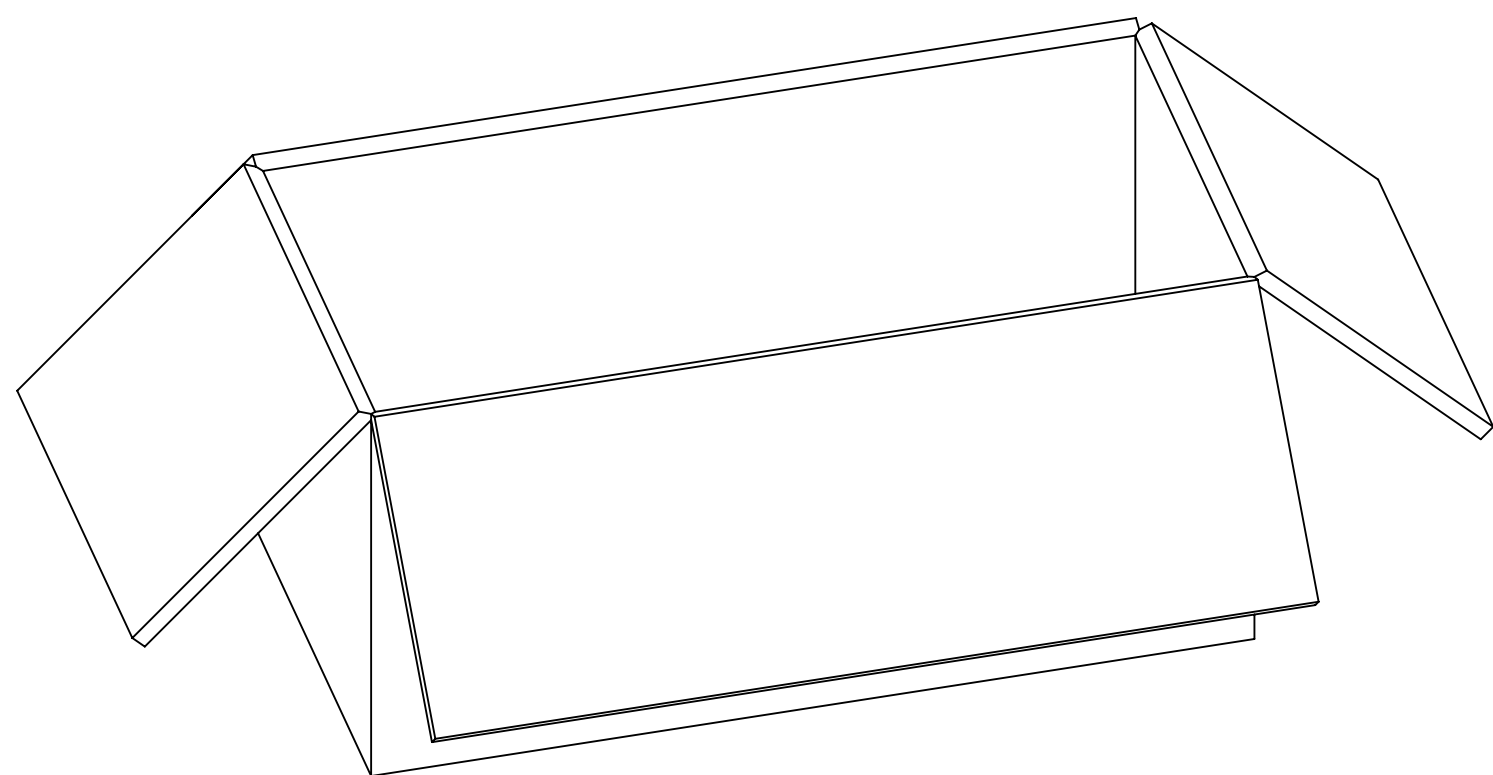
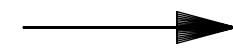
PN: 89761-6821



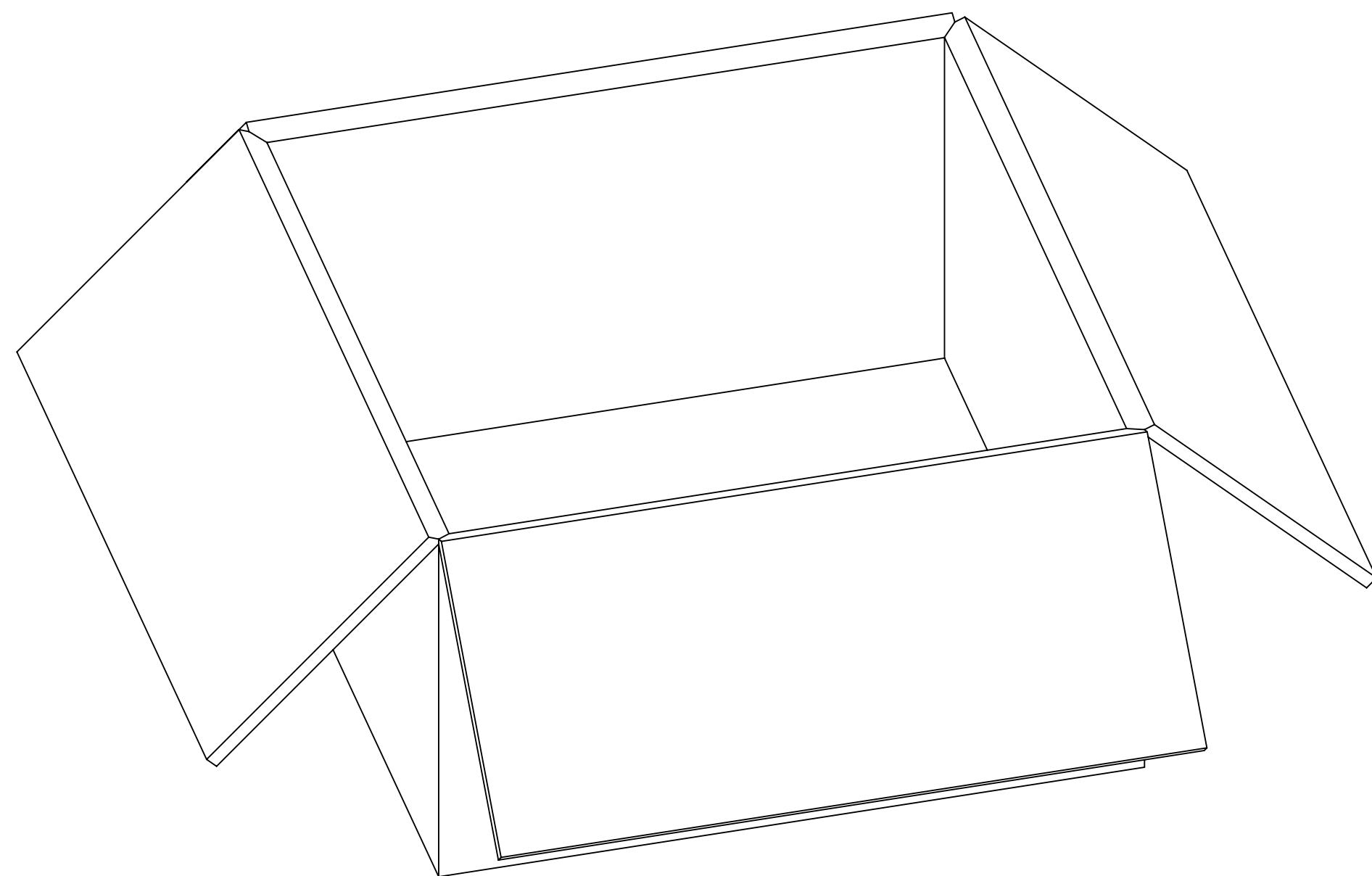
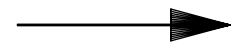
1 SET PER POLY BAG
P/N: 89707-0296



50 SETS PER POLY BAG
P/N: 89707-0176



50 SETS PER INNER
CARTON BOX
P/N: 96707-0001
DIMENSION: 367 x 173 x 188 (mm)



50 SETS PER OUTER
CARTON BOX
P/N: 96708-0005
DIMENSION: 385 x 367 x 206 (mm)

FUNCTIONAL SYMBOLS	THIS DRAWING CONTAINS INFORMATION THAT IS PROPRIETARY TO MOLEX ELECTRONIC TECHNOLOGIES, LLC AND SHOULD NOT BE USED WITHOUT WRITTEN PERMISSION										
	DIMENSION UNITS	SCALE	CURRENT REV DESC:								
$\frac{F}{A} = 0$	MM/INCH	NTS	EWR-14668-A CHG: ADDED PACKAGE DRAWING								
DIVISIONAL SYMBOLS	GENERAL TOLERANCES (UNLESS SPECIFIED)		EC NO: 670189								CA SMA J STR BKHD TO MMCX P R/A W/RG316 CA-SMAJ/MMCXP, EWR-3874
	$\frac{F}{C} = 0$	ANGULAR TOL $\pm 2.0^\circ$		DRWN: JSU18 2021/07/12							
$\frac{F}{P} = 0$	4 PLACES \pm		CHK'D: YCHENG 2021/07/15								PRODUCT CUSTOMER DRAWING
	3 PLACES \pm		APPR: YCHENG 2021/07/15								
	2 PLACES \pm		INITIAL REVISION:								DOCUMENT NUMBER SD-89761-682
	1 PLACE \pm		DRWN: AROBERTSON 2009/02/20								
	0 PLACES \pm		APPR: JWIENER 2009/02/20								DOC TYPE PSD
DRAFT WHERE APPLICABLE MUST REMAIN WITHIN DIMENSIONS			THIRD ANGLE PROJECTION	DRAWING	SERIES	MATERIAL NUMBER	CUSTOMER	DOC PART	REVISION	SHEET NUMBER	
				C-SIZE	89761		GENERAL MARKET	001	A4	3 OF 3	

DOCUMENT STATUS	P1	RELEASE DATE	2021/07/15	07:07:57
-----------------	----	--------------	------------	----------